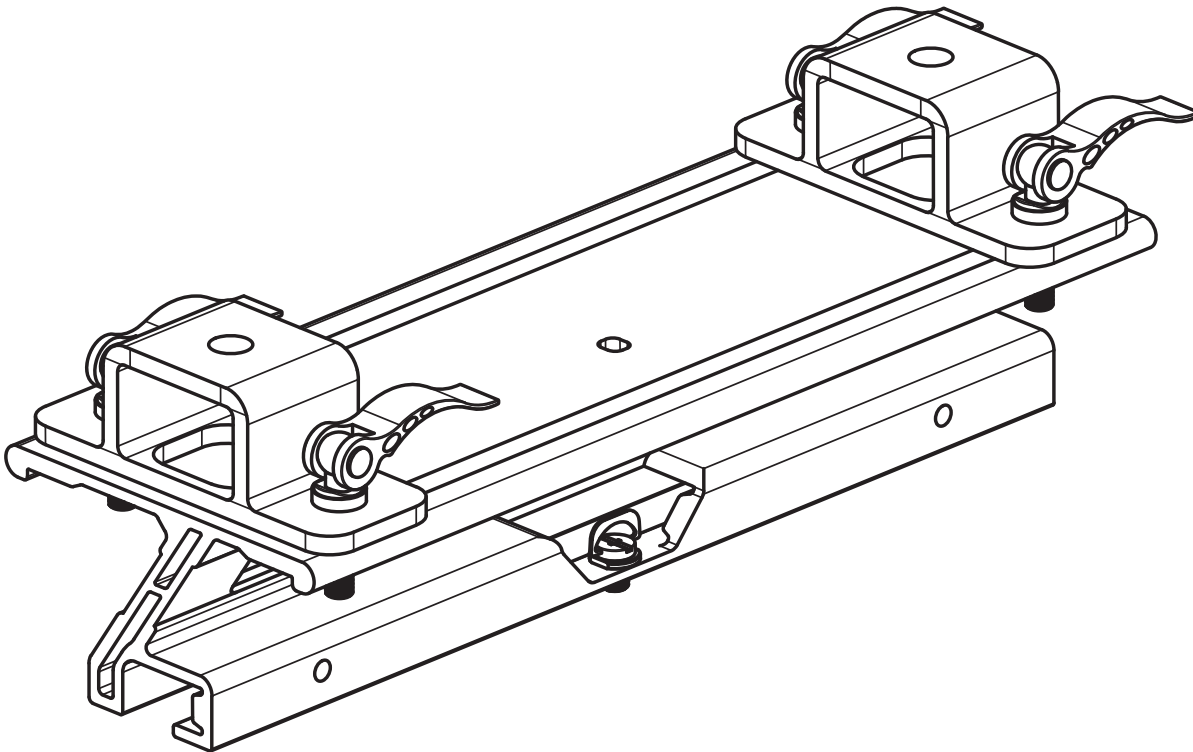


STRIKE **ARRAY** FLUSH BRACKET

User Manual



Model ID: STRIKEARRAYFLUSHBRACKET

Edition Notes

The Strike Array Flush Bracket User Manual includes a description, safety precautions, installation, and maintenance instructions for the Strike Array Flush Bracket as of the release date of this edition.

Trademarks

Chauvet, Chauvet Professional, the Chauvet logo, and Strike Array Flush Bracket are registered trademarks or trademarks of Chauvet & Sons, LLC (d/b/a Chauvet and Chauvet Lighting) in the United States and other countries. Other company and product names and logos referred to herein may be trademarks of their respective companies.

Copyright Notice

The works of authorship contained in this manual, including, but not limited to, all designs, text, and images are owned by Chauvet.

© Copyright 2023 Chauvet & Sons, LLC. All rights reserved.

Electronically published by Chauvet in the United States of America.

Manual Use

Chauvet authorizes its customers to download and print this manual for professional information purposes only. Chauvet expressly prohibits the usage, copy, storage, distribution, modification, or printing of this manual or its content for any other purpose without written consent from Chauvet.

Document Printing

For best results, print this document in color, on letter size paper (8.5 x 11 in), double-sided. If using A4 paper (210 x 297 mm), configure the printer to scale the content accordingly.

Intended Audience

Any person installing, operating, and/or maintaining this product should completely read through the guide that shipped with the product, as well as this manual, before installing, operating, or maintaining this product.

Disclaimer

Chauvet believes that the information contained in this manual is accurate in all respects. However, Chauvet assumes no responsibility and specifically disclaims any and all liability to any party for any loss, damage or disruption caused by any errors or omissions in this document, whether such errors or omissions result from negligence, accident or any other cause. Chauvet reserves the right to revise the content of this document without any obligation to notify any person or company of such revision, however, Chauvet has no obligation to make, and does not commit to make, any such revisions. Download the latest version from www.chauvetprofessional.com.

Document Revision

This Strike Array Flush Bracket User Manual is the 2nd edition of this document. Go to www.chauvetprofessional.com for the latest version.

Table of Contents

| | |
|--|---|
| 1. Before You Begin | 1 |
| What Is Included | 1 |
| Claims | 1 |
| Symbols | 1 |
| Safety Notes..... | 1 |
| 2. Introduction | 2 |
| Features | 2 |
| Product Dimensions | 2 |
| 3. Setup | 3 |
| Mounting | 3 |
| Orientation..... | 3 |
| Rigging | 3 |
| Procedure..... | 3 |
| Product Mounting Diagram | 3 |
| Mounting Products Attached in Series | 4 |
| 4. Technical Specifications | 5 |
| Contact Us | 6 |
| Warranty & Returns..... | 6 |

1. Before You Begin

What Is Included

- Strike Array Flush Bracket
- User Manual




Claims

Carefully unpack the product immediately and check the container to make sure all the parts are in the package and are in good condition.

If the box or the contents (the product and included accessories) appear damaged from shipping, or show signs of mishandling, notify the carrier immediately, not Chauvet. Failure to report damage to the carrier immediately may invalidate your claim. In addition, keep the box and contents for inspection.

For other issues, such as missing components or parts, damage not related to shipping, or concealed damage, file a claim with Chauvet within 7 days of delivery.

Symbols

| Symbol | Meaning |
|---|---|
|  | Critical installation, configuration, or operation information. Not following these instructions may make the product not work, cause damage to the product, or cause harm to the operator. |
|  | Important installation or configuration information. The product may not function correctly if this information is not used. |
|  | Useful information. |

Safety Notes

Read all the following safety notes before working with this product. These notes contain important information about the installation, usage, and maintenance of this product.



All applicable local codes and regulations apply to proper installation of this product.

- Do not submerge this product (IP65). Temporary outdoor operation is fine.
- Not for permanent outdoor installation in locations with extreme environmental conditions. This includes, but is not limited to:
 - Exposure to a marine/saline environment (within 3 miles of a saltwater body of water).
 - Locations where the normal high or low temperatures exceed the temperature ranges in this manual.
 - Locations that are prone to flooding or being buried in snow.
 - Areas where the product will be subjected to extreme radiation or caustic substances.
- Mount this product in a location with adequate ventilation, at least 20 in (50 cm) from adjacent surfaces.
- Make sure there are no flammable materials close to the product when operating.
- In the event of a serious operation problem, stop using this product immediately!



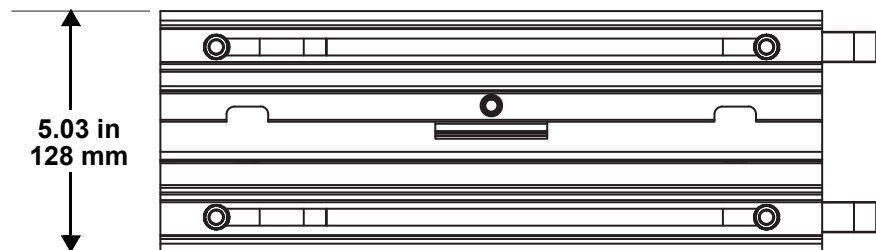
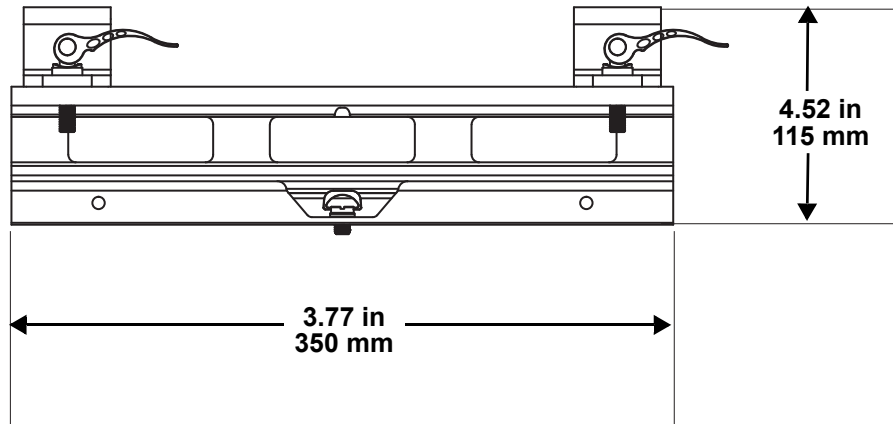
If your Chauvet product requires service, contact Chauvet Technical Support.

2. Introduction

Features

- Mounting bracket for Strike Array fixtures
- Eliminates the need for a yoke
- Creates a cleaner, easier-to-hang array in certain environments

Product Dimensions



3. Setup

Mounting

Before mounting the product, read and follow the safety recommendations indicated in the [Safety Notes](#). For our CHAUVET Professional line of mounting clamps, go to <http://trusst.com/products/>.

Orientation

Always mount this product in a safe position, making sure there is adequate room for ventilation, configuration, and maintenance.

Rigging

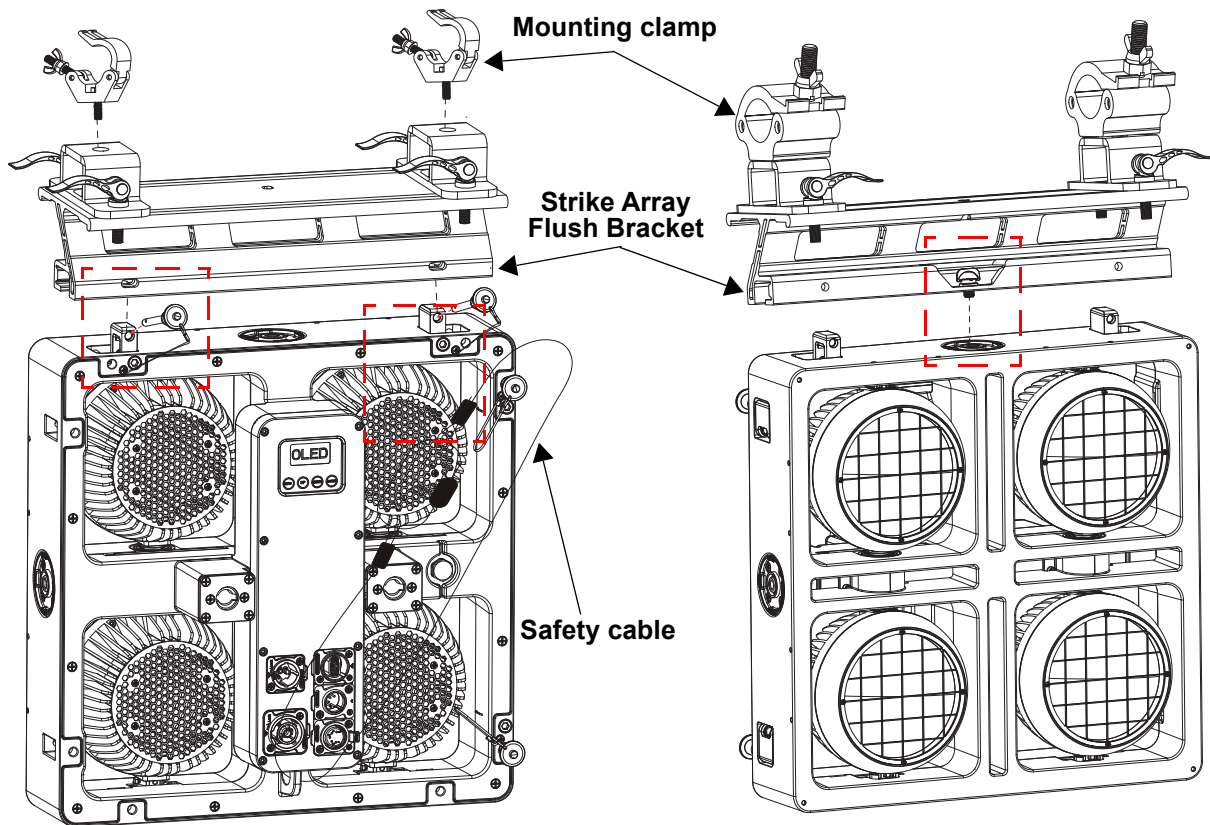
Chauvet recommends using the following general guidelines when mounting this product.

- Before deciding on a location, always make sure there is easy access to the product for maintenance.
- Mount the product on a structure or surface that can support the product's weight (see [Technical Specifications](#) for weight information).
- Always use a safety cable when mounting the product overhead.
- Use a mounting clamp of appropriate weight capacity when rigging the product onto truss.

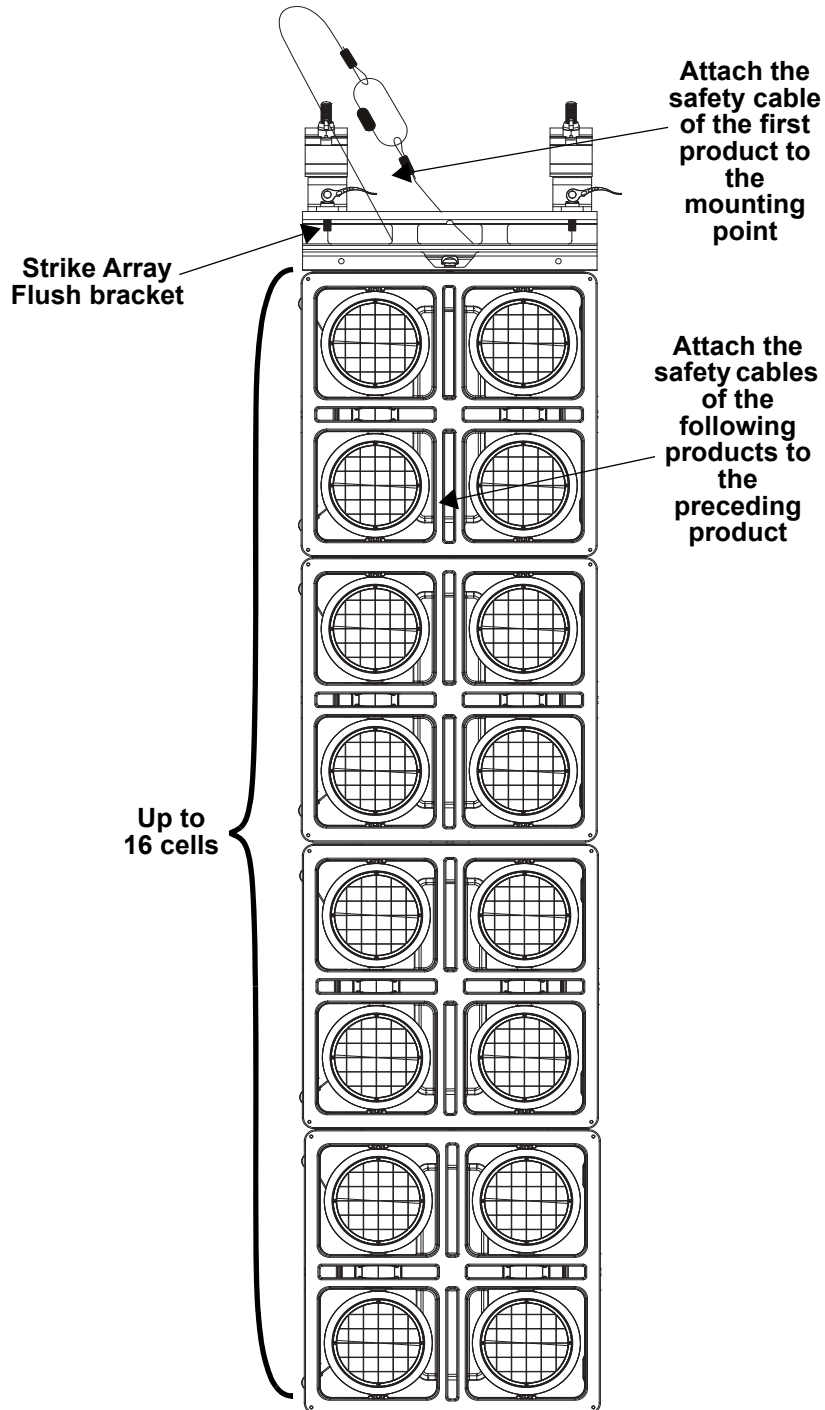
Procedure

The Strike Array Flush Bracket is meant to be used with mounting clamps. Make sure the clamps are capable of supporting the weight of this product. Use at least two mounting points per product. For the Chauvet Professional line of mounting clamps, go to <http://www.trusst.com/products>.

Product Mounting Diagram



Mounting Products Attached in Series



The Strike Array Flush Bracket can support up to 16 cells or 4 Strike Array products. Do not exceed!

4. Technical Specifications

Dimensions and Weight

| Length | Width | Height | Weight |
|------------------|------------------|------------------|------------------|
| 3.77 in (350 mm) | 5.03 in (128 mm) | 4.52 in (115 mm) | 3.75 lb (1.7 kg) |

Note: Dimensions in inches are rounded.

Ordering

| Product Name | Item Name | Item Code | UPC Number |
|----------------------------|-------------------------|-----------|--------------|
| Strike Array Flush Bracket | STRIKEARRAYFLUSHBRACKET | 03112102 | 781462224509 |



RoHS



Contact Us

| General Information | Technical Support |
|---|--|
| Chauvet World Headquarters | |
| Address: 3360 Davie Rd. Davie, FL 33314 Voice: (954) 577-4455 Fax: (954) 929-5560 Toll Free: (800) 762-1084 | Voice: (844) 393-7575 Fax: (954) 756-8015 Email: chauvetcs@chauvetlighting.com Website: www.chauvetprofessional.com |
| Chauvet U.K. | |
| Address: Pod 1 EVO Park Little Oak Drive, Sherwood Park Nottinghamshire, NG15 0EB UK Voice: +44 (0) 1773 511115 Fax: +44 (0) 1773 511110 | Email: UKtech@chauvetlighting.eu Website: www.chauvetprofessional.eu |
| Chauvet Benelux | |
| Address: Stokstraat 18 9770 Kruishoutem Belgium Voice: +32 9 388 93 97 | Email: BNLtech@chauvetlighting.eu Website: www.chauvetprofessional.eu |
| Chauvet France | |
| Address: 3, Rue Ampère 91380 Chilly-Mazarin France Voice: +33 1 78 85 33 59 | Email: FRtech@chauvetlighting.fr Website: www.chauvetprofessional.eu |
| Chauvet Germany | |
| Address: Bruno-Bürgel-Str. 11 28759 Bremen Germany Voice: +49 421 62 60 20 | Email: DEtech@chauvetlighting.de Website: www.chauvetprofessional.eu |
| Chauvet Mexico | |
| Address: Av. de las Partidas 34 - 3B (Entrance by Calle 2) Zona Industrial Lerma Lerma, Edo. de México, CP 52000 Voice: +52 (728) 690-2010 | Email: servicio@chauvet.com.mx Website: www.chauvetprofessional.mx |

Warranty & Returns

For warranty terms and conditions and return information, please visit our website.

For customers in the United States and Mexico: www.chauvetlighting.com/warranty-registration.

For customers in the United Kingdom, Republic of Ireland, Belgium, the Netherlands, Luxembourg, France, and Germany: www.chauvetlighting.eu/warranty-registration.