

STRIKE 1

User Manual



Model ID: STRIKE1


CHAUVET
PROFESSIONAL

Edition Notes

The STRIKE 1 User Manual includes a description, safety precautions, installation, programming, operation and maintenance instructions for the STRIKE 1 as of the release date of this edition.

Trademarks

Chauvet, Chauvet Professional, the Chauvet logo and STRIKE are registered trademarks or trademarks of Chauvet & Sons, LLC (d/b/a Chauvet and Chauvet Lighting) in the United States and other countries. Other company and product names and logos referred to herein may be trademarks of their respective companies.

Copyright Notice

The works of authorship contained in this manual, including, but not limited to, all designs, text, and images are owned by Chauvet.

© Copyright 2023 Chauvet & Sons, LLC. All rights reserved.

Electronically published by Chauvet in the United States of America.

Manual Use

Chauvet authorizes its customers to download and print this manual for professional information purposes only. Chauvet expressly prohibits the usage, copy, storage, distribution, modification, or printing of this manual or its content for any other purpose without written consent from Chauvet.

Document Printing

For best results, print this document in color, on letter size paper (8.5 x 11 in), double-sided. If using A4 paper (210 x 297 mm), configure the printer to scale the content accordingly.

Intended Audience

Any person installing, operating, and/or maintaining this product should completely read through the guide that shipped with the product, as well as this manual, before installing, operating, or maintaining this product.

Disclaimer

Chauvet believes that the information contained in this manual is accurate in all respects. However, Chauvet assumes no responsibility and specifically disclaims any and all liability to any party for any loss, damage or disruption caused by any errors or omissions in this document, whether such errors or omissions result from negligence, accident or any other cause. Chauvet reserves the right to revise the content of this document without any obligation to notify any person or company of such revision, however, Chauvet has no obligation to make, and does not commit to make, any such revisions. Download the latest version from www.chauvetprofessional.com.

Document Revision

This is revision 8 of the STRIKE 1 User Manual. Go to www.chauvetprofessional.com for the latest version.

Revision	Date	Description
8	09/2023	Updated DMX chart for V1.230817 fixture firmware/ added revision log

TABLE OF CONTENTS

- 1. Before You Begin** 1
 - What Is Included 1
 - Claims 1
 - Manual Conventions 1
 - Symbols 1
 - Safety Notes..... 2
 - Expected LED Lifespan..... 3
 - RF Exposure Warning for North America and Australia..... 3
- 2. Introduction** 4
 - Description 4
 - Features 4
 - Product Overview..... 4
 - Product Dimensions 5
- 3. Setup** 6
 - AC Plug..... 6
 - Mounting 6
 - Orientation..... 6
 - Rigging 6
 - Multi-Bracket 7
 - Procedure..... 8
 - Remote Device Management..... 9
 - Master/Slave Connectivity..... 9
- 4. Operation** 10
 - Control Panel Description 10
 - Programming..... 10
 - Control Panel Lock..... 10
 - Passcode 10
 - Menu Map 11
 - Configuration 12
 - Starting Address..... 12
 - Control Channel Assignments and Values..... 12
 - Configuration 14
 - Static Mode 14
 - Auto Programs 14
 - Red Shift 14
 - Master/Slave 14
 - Dimmer Mode..... 14
 - LED Frequency 14
 - Fan Mode 15
 - Back Light 15
 - System Information 15
 - Factory Reset..... 15
- 5. Technical Information** 16
 - Product Maintenance 16
- 6. Technical Specifications** 17
- Contact Us** 18
 - Warranty & Returns..... 18

1. Before You Begin

What Is Included

- STRIKE 1
- Seetronic Powerkon IP65 Power Cable
- Multi-Bracket
- Quick Reference Guide

Claims

Carefully unpack the product immediately and check the container to make sure all the parts are in the package and are in good condition.





If the box or the contents (the product and included accessories) appear damaged from shipping, or show signs of mishandling, notify the carrier immediately, not Chauvet. Failure to report damage to the carrier immediately may invalidate a claim. In addition, keep the box and contents for inspection.

For other issues, such as missing components or parts, damage not related to shipping, or concealed damage, file a claim with Chauvet within 7 days of delivery.

Manual Conventions

Convention	Meaning
1–512	A range of values
50/60	A set of values of which only one can be chosen
<SET>	A button on the product’s control panel
Settings	A product function or a menu option

Symbols

Symbol	Meaning
	Electrical warning. Not following these instructions may cause electrical damage to the product, accessories, or the user.
	Critical installation, configuration, or operation information. Not following these instructions may make the product not work, cause damage to the product, or cause harm to the operator.
	Important installation or configuration information. The product may not function correctly if this information is not used.
	Useful information.



Any reference to data or power connections in this manual assumes the use of Seetronic IP-rated cables.



The term “DMX” used throughout this manual refers to the USITT DMX512-A digital data transmission protocol.

Before You Begin

Safety Notes

Read all the following safety notes before working with this product. These notes contain important information about the installation, usage, and maintenance of this product.



This product contains no user-serviceable parts. Any reference to servicing in this User Manual will only apply to properly trained, certified technicians. Do not open the housing or attempt any repairs.



All applicable local codes and regulations apply to proper installation of this product.

- The luminaire is intended for professional use only.
- The luminaire should be positioned so that prolonged staring into the luminaire at a distance closer than 7.6 ft (2.3 m) is not expected.
- If the external flexible cable or cord of this luminaire is damaged, it shall be replaced by a special cord or cord exclusively available from the manufacturer or its service agent.
- The light source contained in this luminaire shall only be replaced by the manufacturer or its service agent or a similar qualified person.
- **CAUTION:**
 - This product's housing may be hot when operating. Mount this product in a location with adequate ventilation, at least 20 in (50 cm) from adjacent surfaces.
 - When transferring the product from extreme temperature environments, (e.g., cold truck to warm humid ballroom) condensation may form on the internal electronics of the product. To avoid causing a failure, allow the product to fully acclimate to the surrounding environment before connecting it to power.
 - Flashing light is known to trigger epileptic seizures. User must comply with local laws regarding notification of strobe use.
- **ALWAYS:**
 - Disconnect from power before cleaning the product or replacing the fuse.
 - When using an IP65-rated product in an outdoor environment, use IP65- (or higher) rated power and data cable.
 - Replace and secure IP-rated protective covers to all power, data, USB, or other ports when not in use.
 - Replace the fuse with the same type and rating.
 - Use a safety cable when mounting this product overhead.
 - Connect this product to a grounded and protected circuit.
- **DO NOT:**
 - Open this product. It contains no user-serviceable parts.
 - Look at the light source when the product is on.
 - Leave any flammable material within 50 cm of this product while operating or connected to power.
 - Connect this product to a dimmer or rheostat.
 - Operate this product if the housing, lenses, or cables appear damaged.
 - Submerge this product (adhere to standards for the published IP rating). Regular outdoor operation is fine.
 - Permanently install outdoors in locations with extreme environmental conditions. This includes, but is not limited to:
 - Exposure to a marine/saline environment (within 3 miles of a saltwater body of water).
 - Locations where normal temperatures exceed the temperature ranges in this manual.
 - Locations that are prone to flooding or being buried in snow.
 - Other areas where the product will be subject to extreme radiation or caustic substances.
 - Use for space-heating purposes.
- **ONLY** use the hanging/mounting bracket to carry this product.
- The maximum ambient temperature is 113 °F (45 °C). Do not operate this product at higher temperatures.
- The minimum startup temperature is -4°F (-20°C). Do not start the product at lower temperatures.
- The minimum ambient temperature is -22°F (-30°C). Do not operate the product at lower temperatures.
- To eliminate unnecessary wear and improve its lifespan, during periods of non-use completely disconnect the product from power via breaker or by unplugging it.
- In the event of a serious operating problem, stop using immediately.



If a Chauvet product requires service, contact Chauvet Technical Support.

Expected LED Lifespan

LEDs gradually decline in brightness over time, primarily because of heat. LEDs that are arranged in clusters experience higher operating temperatures than single LEDs. For this reason, operating clustered LEDs at their fullest intensity significantly reduces the LEDs' lifespan. Under normal conditions, this lifespan is 40,000 to 50,000 hours. If extending this lifespan is vital, lower the operating temperature by improving the ventilation around the product, thus reducing the ambient temperature. In addition, limiting the overall projection intensity may extend the LEDs' lifespan.

RF Exposure Warning for North America and Australia

Warning! This equipment complies with FCC radiation exposure limits set forth for an uncontrolled environment. This equipment should be installed and operated with a minimum distance of 20 cm between the radiator and the user. This transmitter must not be co-located or operating in conjunction with any other antenna or transmitter.

2. Introduction

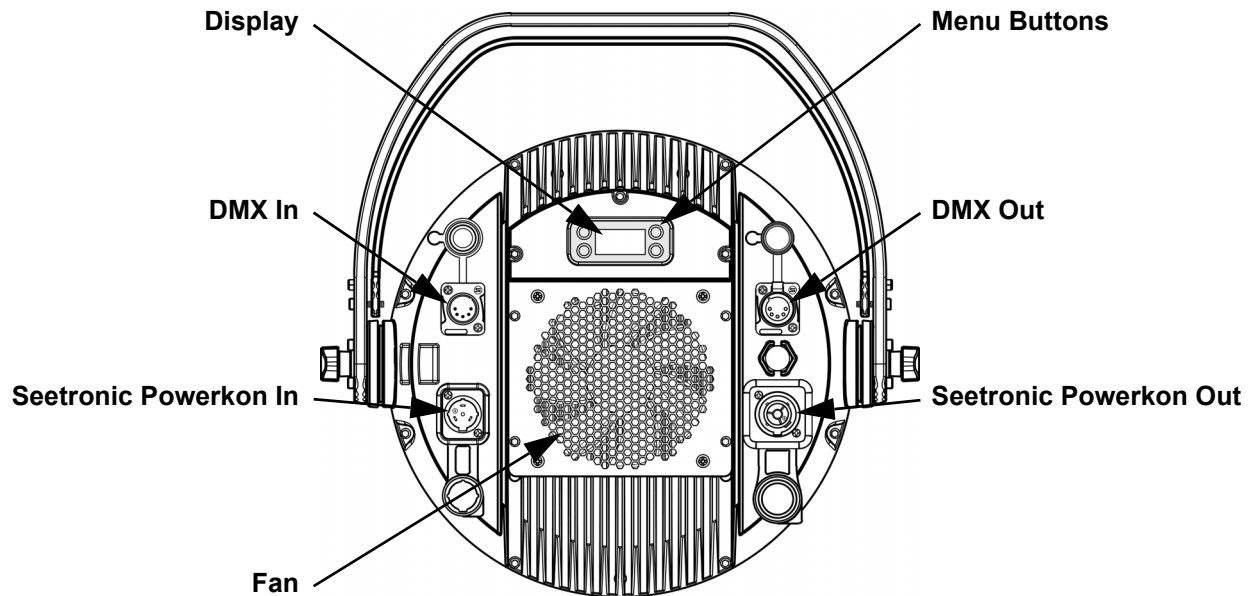
Description

STRIKE 1 is a big, bold, outdoor-ready blinder powered by an intense 230 W warm white LED source. It is also an awesome strobe and a wide area floodlight. Its IP rated fan keeps it cool enough for use as a wash while IP rated direct power and DMX connections eliminate undesirable whips. An emulated “amber shift” warms the Color Temperature of the light as it dims to mimic incandescent lights perfectly

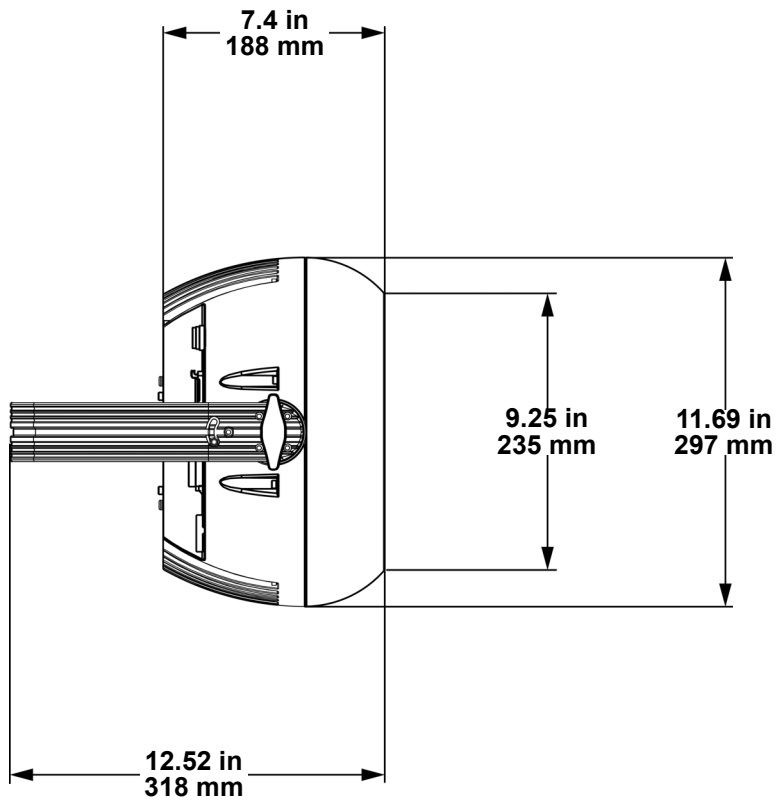
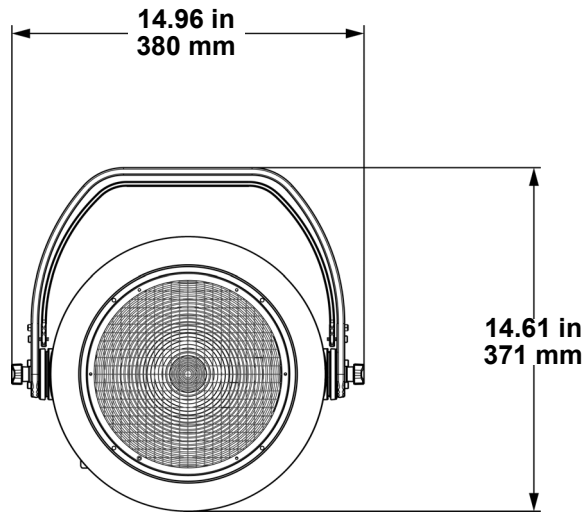
Features

- Intense single pod blinder/strobe rated IP65 for all-weather use.
- 16-bit dimming control for smooth, perfect fades.
- Strobe functionality for high-impact effects on-the-fly.
- Beautiful warm glow made possible with emulated “red shift” to mimic incandescent fixtures.
- Multi-bracket allows users to create multi-fixture banks with ease.
- Easy to use OLED display.
- Adjustable Pulse Width Modulation (PWM) control to eliminate flicker on camera.
- RDM (Remote Device Management) for added flexibility.

Product Overview



Product Dimensions



Setup

3. Setup

AC Power

The STRIKE 1 has an auto-ranging power supply, and it can work with an input voltage range of 100 to 240 VAC, 50/60 Hz.

To determine the product's power requirements (circuit breaker, power outlet, and wiring), use the current value listed on the label affixed to the product's back panel, or refer to the product's specifications chart. The listed current rating indicates the product's average current draw under normal conditions.



- **Always connect the product to a protected circuit (a circuit breaker or fuse). Make sure the product has an appropriate electrical ground to avoid the risk of electrocution or fire.**
- **To eliminate unnecessary wear and improve its lifespan, during periods of non-use completely disconnect the product from power via breaker or by unplugging it.**



Never connect the product to a rheostat (variable resistor) or dimmer circuit, even if the rheostat or dimmer channel serves only as a 0 to 100% switch.

AC Plug

The STRIKE 1 comes with a power input cable terminated with a Seetronic Powerkon A connector and Edison plug on the other end (U.S. market). Use the table below to wire a plug.

Connection	Wire (U.S.)	Wire (Europe)	Screw Color
AC Live	Black	Brown	Yellow or Brass
AC Neutral	White	Blue	Silver
AC Ground	Green/Yellow	Green/Yellow	Green

Power Linking

It is possible to power link STRIKE 1 products. See the table below for the current draw at each voltage and frequency:

	100 V, 60 Hz	120 V, 60 Hz	208 V, 60 Hz	230 V, 50 Hz	240 V, 50 Hz
Current Draw	2.651 A	2.180 A	1.332 A	1.179 A	1.142 A

Never exceed 12A on a single circuit. Power-linking cables can be purchased separately.

Mounting

Before mounting the product, read and follow the safety recommendations indicated in the [Safety Notes](#). For our Chauvet Professional line of mounting clamps, go to <http://trusst.com/products/>.

Orientation

Always mount this product in a safe position, making sure there is adequate room for ventilation, configuration, and maintenance.

Rigging

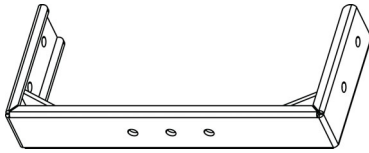
Chauvet recommends using the following general guidelines when mounting this product.

- Before deciding on a location for the product, make sure there is easy access to the product for maintenance and programming purposes.
- Make sure that the structure or surface onto which the product is being mounted can support the product's weight. See the [Technical Specifications](#).
- When mounting the product overhead, always use a safety cable. Mount the product securely to a rigging point, whether an elevated platform or a truss.
- When rigging the product onto a truss, use a mounting clamp of appropriate weight capacity.
- When power linking multiple products, mount the products close enough for power linking cables to reach.
- The bracket adjustment knobs allow for directional adjustment when aiming the product to the desired angle. Only loosen or tighten the bracket knobs manually. Using tools could damage the knobs.

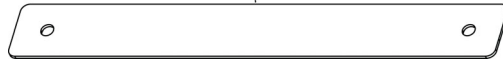
Multi-Bracket

Each STRIKE 1 comes with a Multi-Bracket that allows an array of STRIKE 1 products to be assembled together with ease. Each Multi-Bracket comes with a spacer bar that maintains the horizontal pixel pitch between each STRIKE 1 product, and a spacer that stabilizes the brackets.

Multi-Bracket Overview



Multi-Bracket

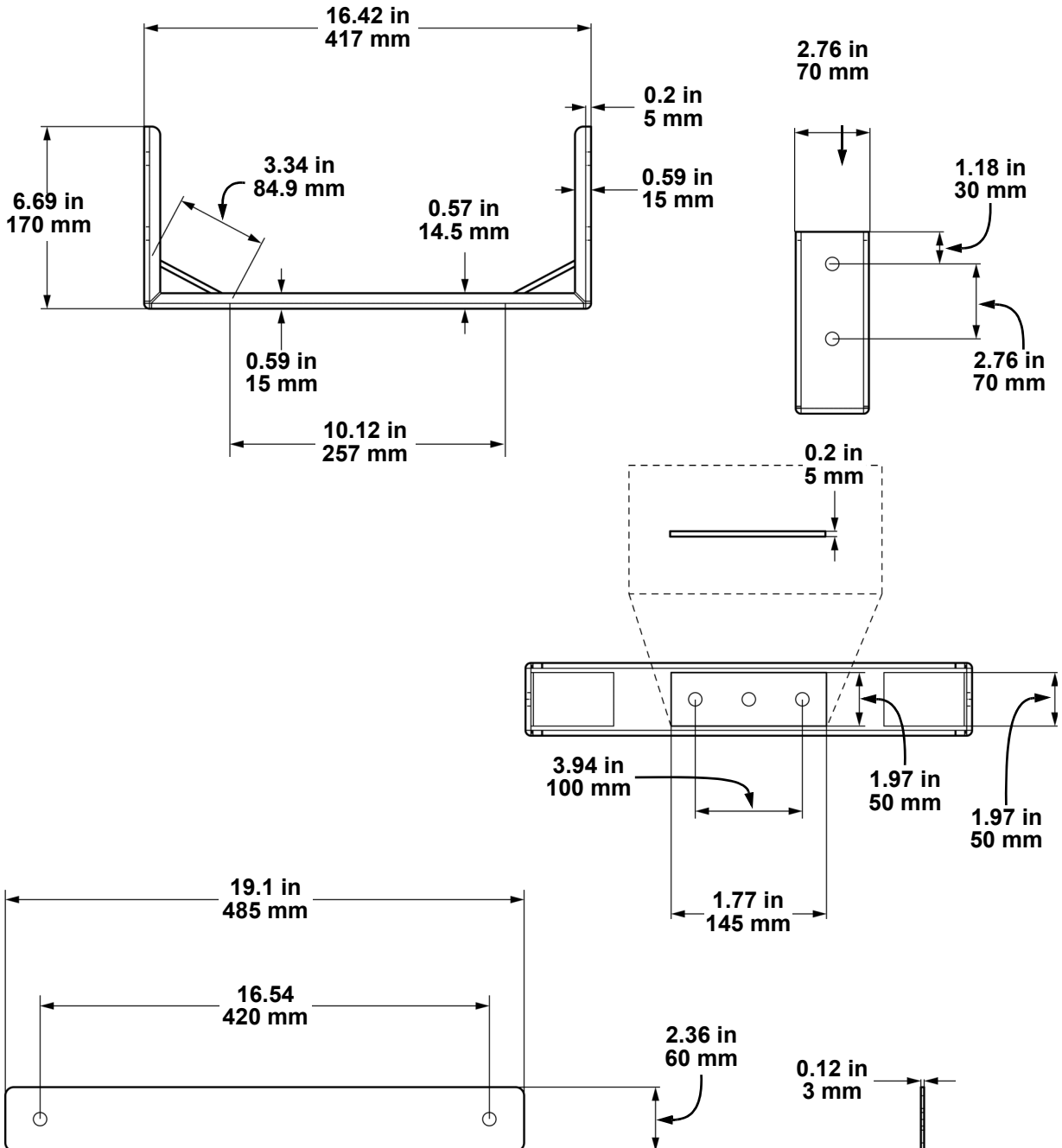


Spacer Bar
(maintains horizontal pixel pitch)



Spacer
(stabilizes brackets)

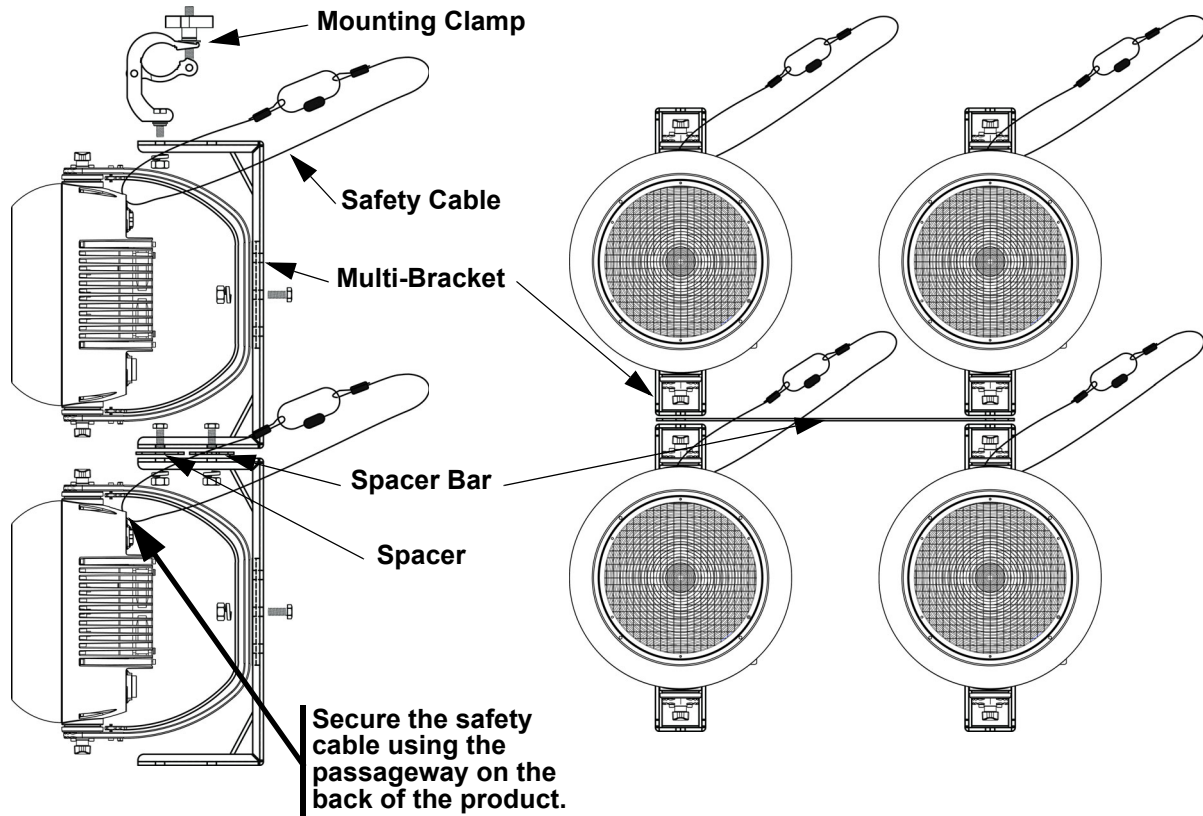
Multi-Bracket Dimensions



Procedure

The STRIKE 1 comes with a double-bracketed yoke hat can be attached to the included Multi-Bracket or mounting clamps directly. The user must supply the mounting clamps. Make sure the clamps are capable of supporting the weight of this product. Use at least one mounting point per product. For the Chauvet Professional line of mounting clamps, go to <http://www.trusst.com/products>.

Mounting Diagram



- Secure all safety cables to the mounting surface, NOT the Multi-Bracket.
- Do not mount more than 4 products vertically from one mounting point.
- Ensure any mounting surface used is capable of supporting the weight of all products being mounted.

DMX Linking

The STRIKE 1 can link to a DMX controller using a 5-pin DMX connection or a WDMX connection. For more information about DMX, read the DMX primer at:

https://www.chauvetprofessional.com/wp-content/uploads/2016/06/DMX_Primer.pdf.

Remote Device Management

Remote Device Management, or RDM, is a standard for allowing DMX-enabled devices to communicate bi-directionally along existing DMX cabling. Check the DMX controller's User Manual or with the manufacturer, as not all DMX controllers have this capability. The STRIKE 1 supports RDM protocol that allows feedback to make changes to menu map options.

Master/Slave Connectivity

The Master/Slave mode allows a STRIKE 1 (the master) to control one or more STRIKE 1 products (the slaves) without a DMX controller. One STRIKE 1 becomes the master when running an auto program, or by being in Static mode.

Configure each slave's control panel to operate in Slave mode. During Master/Slave operation, the slaves will operate in unison with the master.



DO NOT connect a DMX controller to products operating in Master/Slave mode. The DMX controller signals may interfere with the signals from the master.



- The [Operation](#) section of this manual provides detailed instructions on how to configure the master and slaves.
- For more information about DMX standards, or the DMX cables needed to link this product to a DMX controller, download the DMX Primer from the Chauvet website: www.chauvetprofessional.com.



- To preserve the IP65 rating and the warranty of this product, IP65 data cables must be used.
- Insert the attached IP65 rated plugs into the corresponding power/data connections when not in use.

4. Operation

Control Panel Description

Button	Function
<MENU>	Exits from the current menu or function
<ENTER>	Enables the currently displayed menu or sets the currently selected value in to the current function
<UP>	Navigates upward through the menu list or increases the numeric value when in a function
<DOWN>	Navigates downward through the menu list or decreases the numeric value when in a function

Programming

Refer to the menu map to understand the menu options. The menu map shows the main menu and a variable number of programming levels for each option.

- To access the main menu from the home screen, press <MENU>.
- To navigate to the desired option in the main menu, press <MENU> repeatedly until the option is indicated, or use <UP> or <DOWN> to navigate directly.
- Press <ENTER> to select the indicated option.
- Use <UP> or <DOWN> to navigate within a programming level until the desired option is indicated.
- To return to the main menu, press <MENU> repeatedly until it shows on the display.
- Press and hold <MENU> to return to the home screen.

Control Panel Lock

This setting locks or unlocks the control panel.

1. Go to the **Key Lock** main level.
2. Select **On** or **Off**.



When the control panel lock is activated, in order to access the products main programming level, the product will prompt for the passcode. Enter the passcode as described below.

Passcode

After being prompted to enter the passcode:

Press <UP>, <DOWN>, <UP>, <DOWN>, <ENTER>

Menu Map

Refer to the STRIKE 1 product page on www.chauvetprofessional.com for the latest menu map.

Main Level	Programming Levels		Description
DMX Address	Address	<000–512>	Selects DMX address (highest channel restricted to personality chosen).
DMX Channel	1 Ch		1-channel: dimmer
	3 Ch		3-channel: dimmer, red shift, dimmer speed
	4 Ch		4-channel: 16-bit dimmer, red shift, dimmer speed
	5 Ch		5-channel: dimmer, red shift, strobe, auto, dimmer speed
	6 Ch		6-channel: 16-bit dimmer, red shift, strobe, auto, dimmer speed
	7 Ch		7-channel: White, White fine, Amber, Amber fine, strobe, auto, dimmer speed
Static	Dimmer	<0–255>	Sets the intensity of the light output
	Strobe		Selects the strobe frequency
Auto Show	Auto 1–3	<001–100>	Automatic programs and speed
Red Shift	On		Turns Red Shift (amber LEDs imitate lamp when dimming) on or off
	Off		
Master/Slave Mode	Master		Master mode
	Slave		DMX slave mode
Dimmer Mode	Off		Linear dimming
	Dimmer 1–3		Dimming curves: Dimmer 1 (fast) to Dimmer 3 (slow)
LED Frequency	600 Hz		PWM frequency
	1200 Hz		
	2000 Hz		
	4000 Hz		
	25 KHz		
Fan Mode	Auto		Fan speed based on product temperature
	On		Fan always at maximum
Back Light	On		Display backlight always on
	10S		Turns off display backlight after 10 sec of inactivity
	20S		Turns off display backlight after 20 sec of inactivity
	30S		Turns off display backlight after 30 sec of inactivity
Key Lock	On		Locks display (password is <UP>, <DOWN>, <UP>, <DOWN>, <ENTER>)
	Off		
Information	Fixture Hours		Shows total product hours
	Version		Shows installed software version
	UID		Shows product ID
Reset Factory	No		Reset to factory defaults
	Yes		

Operation

Configuration

Use DMX configurations to operate the product with a DMX controller.

Control Personalities

To set the control personality:

1. Go to the **DMX Channel** main level.
2. Select the desired personality, from **1 Ch, 3 Ch, 4 Ch, 5 Ch, 6 Ch** or **7 Ch**.
 - See the [Starting Address](#) section for the highest starting address for each personality.
 - Make sure that the starting addresses on the various products do not overlap due to the new personality setting.



Starting Address

Each product will respond to a unique starting address from the DMX controller. All products with the same starting address will respond in unison. To set the starting address:

1. Go to the **Start Address** main level.
2. Set the starting address:
 - a. Go to **DMX Address** main level.
 - b. Select the starting address (**001–512**).

The highest recommended starting address for each DMX mode is as follows:

DMX Personality	DMX Address
1	512
3	510
4	509
5	508
6	507
7	506

Control Channel Assignments and Values 7CH

Channel	Function	Value	Percent/Setting
1	White	000 ⇄ 255	0–100%
2	White fine	000 ⇄ 255	0–100%
3	Amber	001 ⇄ 255	Off
4	Amber fine	000 ⇄ 255	0–100%
5	Strobe	000 ⇄ 010	No function
		011 ⇄ 255	Strobe, slow to fast
6	Auto Program	000 ⇄ 010	No function
		011 ⇄ 080	Auto 1, slow to fast
		081 ⇄ 160	Auto 2, slow to fast
		161 ⇄ 240	Auto 3, slow to fast
		241 ⇄ 255	No function
7	Dimmer Speed*	000 ⇄ 051	Current dimmer speed mode
		052 ⇄ 101	Dimmer speed mode off (linear dimmer)
		102 ⇄ 152	Dimmer speed mode 1 (fastest)
		153 ⇄ 203	Dimmer speed mode 2
		204 ⇄ 255	Dimmer speed mode 3 (slowest)

6CH / 5CH / 4CH / 3CH / 1CH

1Ch	3Ch	4Ch	5Ch	6Ch	Function	Value	Percent/Setting
1	1	1	1	1	Dimmer	000 ⇔ 255	0–100%
–	–	2	–	2	Fine Dimmer	000 ⇔ 255	0–100%
–	2	3	2	3	Red Shift	000 001 ⇔ 255	On Off
–	–	–	3	4	Strobe	000 ⇔ 010 011 ⇔ 255	No function Strobe, slow to fast
–	–	–	4	5	Auto Program	000 ⇔ 010 011 ⇔ 080 081 ⇔ 160 161 ⇔ 240 241 ⇔ 255	No function Auto 1, slow to fast Auto 2, slow to fast Auto 3, slow to fast No function
–	3	4	5	6	Dimmer Speed*	000 ⇔ 051 052 ⇔ 101 102 ⇔ 152 153 ⇔ 203 204 ⇔ 255	Current dimmer speed mode Dimmer speed mode off (linear dimmer) Dimmer speed mode 1 (fastest) Dimmer speed mode 2 Dimmer speed mode 3 (slowest)



***Hold the desired Dimmer Speed value for 3 seconds, then release. This changes the Dimmer Mode setting in the menu.**

Operation

Configuration

Use standalone configuration to operate the product without a DMX controller.

Static Mode

To select the static setting:

1. Go to the **Static** main level.
2. Select **Dimmer** or **Strobe**.
3. Select the desired value (**0–255**).

Auto Programs

To run an automatic program:

1. Go to the **Auto Show** main level
2. Select the desired auto (**Auto 1–3**).
3. Select the desired speed (**001–100**).



The auto programs cannot be edited.

Red Shift

The Red Shift function causes the amber LEDs to imitate the appearance of a lamp when dimming. To enable or disable the red shift function:

1. Go to the **Red Shift** main level
2. Select **On** or **Off**.

Master/Slave

The Master/Slave mode allows a group of STRIKE 1 products (the slaves) to simultaneously duplicate the output of another STRIKE 1 (the master) without a DMX controller.

To set each of the slaves:

1. Go to the **Master/Slave** main level
2. Select **Slave**.

To set the master:

1. Go to the **Master/Slave** main level
2. Select **Master**.
3. Select an auto program as explained in Auto Programs, or a static setting.



- The master is the one that runs a program whether in Auto or Static mode.
- Do not connect a DMX controller to the products configured for Master/Slave operation. The DMX controller may interfere with signals from the master.
- The master should be the first product in the daisy chain.

Dimmer Mode

To select the dimmer mode:

- Go to the **Dimmer Mode** main level.
- Select a dimmer curve (**OFF**, **Dimmer 1**, **Dimmer 2**, or **Dimmer 3**).



OFF: The output is proportional (linear) to the dimmer channel value.
Dimmer 1-3: The output follows the dimmer value based on the corresponding dimmer curve, DIM1 being the fastest.

LED Frequency

This option changes the Pulse Width Modulation (PWM) frequency of the LEDs on the STRIKE 1.

1. Go to the **LED Frequency** main level.
2. Select PWM Frequency (**600Hz**, **1200Hz**, **2000Hz**, **4000Hz**, or **25Khz**).

Fan Mode

To set the fan mode:

1. Go to the **Fan Mode** main level
2. Select **Auto** (fan speed will increase or decrease based on product temperature) or **On** (fan speed will always be at maximum).

Back Light

To set the back light time:

1. Go to the **Back Light** main level.
2. Select **On** (remains on), **10S** (10 seconds), **20S** (20 seconds), or **30S** (seconds).

System Information

This option displays the total number of hours the product has run, the installed software version, and the product's UID.

1. Go to the **Information** main level.
2. Select **Fixture Hours**, **Version**, or **UID**.

Factory Reset

To reset the product to factory settings:

1. Go to the **Reset Factory** main level.
2. Select **No** (to cancel) or **Yes** (to reset the product configuration).

5. Technical Information

Product Maintenance

Dust build-up reduces light output performance and can cause overheating. This can lead to reduction of the light source's life and/or mechanical wear. To maintain optimum performance and minimize wear, clean all lighting products at least twice a month. However, be aware that usage and environmental conditions could be contributing factors to increase the cleaning frequency.

To clean the product, follow the instructions below:

1. Unplug the product from power.
2. Wait until the product is at room temperature.
3. Use a vacuum (or dry compressed air) and a soft brush to remove dust collected on the external surface/vents.
4. Clean all transparent surfaces with a mild soap solution, ammonia-free glass cleaner, or isopropyl alcohol.
5. Apply the solution directly to a soft, lint free cotton cloth or a lens cleaning tissue.
6. Softly drag any dirt or grime to the outside of the transparent surface.
7. Gently polish the transparent surfaces until they are free of haze and lint.



Always dry the transparent surfaces carefully after cleaning them.



Do not spin the cooling fans with compressed air. Damage may occur.

6. Technical Specifications

Dimensions and Weight

Length	Width	Height	Weight
14.96 in (380 mm)	7.40 in (188 mm)	14.61 in (371 mm)	18.8 lb (8.6 kg)

Note: Dimensions in inches rounded to the nearest decimal digit.

Power

Power Supply Type	Range	Voltage Selection
Switching (internal)	100 to 240 VAC, 50/60 Hz	Auto-ranging

Parameter	120 V, 60 Hz	208 V, 60 Hz	230 V, 50 Hz
Consumption	266 W	255 W	258 W
Operating Current	2.209 A	1.306 A	1.201 A
Power linking current (products)	13.6 A (6 products)	13.6 A (10 products)	13.6 A (11 products)

Power I/O	U.S./Worldwide	UK/Europe
Power input connector	Seetronic Powerkon IP65	Seetronic Powerkon IP65
Power output connector	Seetronic Powerkon IP65	Seetronic Powerkon IP65
Power Cord plug	Edison (U.S.)	Local Plug

Light Source

Type	Power	Lifespan
LED (WW)	230 W	50,000 hours
LED (A)	2 W	50,000 hours

Color	Quantity	Current
Warm White	1	4.1 A
Amber	8	0.7 A

Photometrics

Parameter	Value
Strobe Rate	0 to 25 Hz
Beam Angle	30°
Field Angle	51°
Illuminance @ 5 m	1,119 lux

Thermal

Maximum External Temperature	Cooling System
104 °F (40 °C)	Fan-assisted convection

DMX

I/O Connector	Channel Range
5-pin XLR	1, 3, 4, 5, 6, or 7

Ordering

Product Name	Item Code	UPC Number
STRIKE 1	03051214	781462215620



Contact Us

General Information	Technical Support
Chauvet World Headquarters	
Address: 3360 Davie Rd. Davie, FL 33314 Voice: (954) 577-4455 Fax: (954) 929-5560 Toll Free: (800) 762-1084	Voice: (844) 393-7575 Fax: (954) 756-8015 Email: chauvetcs@chauvetlighting.com Website: www.chauvetprofessional.com
Chauvet U.K.	
Address: Pod 1 EVO Park Little Oak Drive, Sherwood Park Nottinghamshire, NG15 0EB UK Voice: +44 (0) 1773 511115 Fax: +44 (0) 1773 511110	Email: UKtech@chauvetlighting.eu Website: www.chauvetprofessional.eu
Chauvet Benelux	
Address: Stokstraat 18 9770 Kruishoutem Belgium Voice: +32 9 388 93 97	Email: BNLtech@chauvetlighting.eu Website: www.chauvetprofessional.eu
Chauvet France	
Address: 3, Rue Ampère 91380 Chilly-Mazarin France Voice: +33 1 78 85 33 59	Email: FRtech@chauvetlighting.fr Website: www.chauvetprofessional.eu
Chauvet Germany	
Address: Bruno-Bürgel-Str. 11 28759 Bremen Germany Voice: +49 421 62 60 20	Email: DEtech@chauvetlighting.de Website: www.chauvetprofessional.eu
Chauvet Mexico	
Address: Av. de las Partidas 34 - 3B (Entrance by Calle 2) Zona Industrial Lerma Lerma, Edo. de México, CP 52000 Voice: +52 (728) 690-2010	Email: servicio@chauvet.com.mx Website: www.chauvetprofessional.mx

Warranty & Returns

For warranty terms and conditions and return information, please visit our website.

For customers in the United States and Mexico: www.chauvetlighting.com/warranty-registration. For customers in the United Kingdom, Republic of Ireland, Belgium, the Netherlands, Luxembourg, France, and Germany: www.chauvetlighting.eu/warranty-registration.