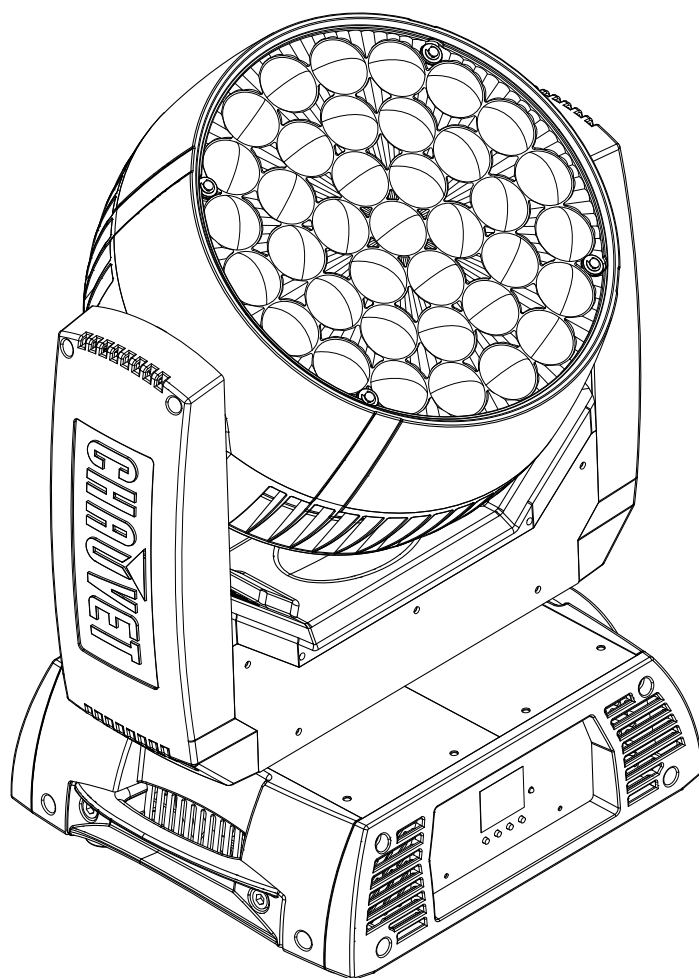


# ROGUE



## Quick Reference Guide

English	EN
Español	ES
Français	FR
Deutsch	DE
Nederlands	NL



Model ID: ROGUER3XWASH

The Chauvet Professional logo, consisting of a stylized, downward-pointing triangle above the word 'CHAUVET' in a large, bold, sans-serif font, with the word 'PROFESSIONAL' in a smaller, bold, sans-serif font below it.

**CHAUVET**  
**PROFESSIONAL**

## About This Guide

The Rogue R3X Wash Quick Reference Guide (QRG) has basic product information such as connection, mounting, menu options, and DMX values. Download the User Manual from [www.chauvetprofessional.com](http://www.chauvetprofessional.com) for more details.

### Disclaimer

The information and specifications contained in this QRG are subject to change without notice.

### LIMITED WARRANTY

**FOR WARRANTY REGISTRATION AND COMPLETE TERMS AND CONDITIONS PLEASE VISIT OUR WEBSITE.**

**For Customers in the United States and Mexico:** [www.chauvetlighting.com/warranty-registration](http://www.chauvetlighting.com/warranty-registration).

**For Customers in the United Kingdom, Republic of Ireland, Belgium, the Netherlands, Luxembourg, France, and Germany:** [www.chauvetlighting.eu/warranty-registration](http://www.chauvetlighting.eu/warranty-registration).

Chauvet warrants that this product shall be free from defects in material and workmanship under normal use, for the period specified in, and subject to the exclusions and limitations set forth in the full limited warranty on our website. This warranty extends only to the original purchaser of the product and is not transferable. To exercise rights under this warranty, you must provide proof of purchase in the form of an original sales receipt from an authorized dealer that shows the product name and date of purchase. THERE ARE NO OTHER EXPRESS OR IMPLIED WARRANTIES. This warranty gives you specific legal rights. You may also have other rights that vary from state to state and country to country. This warranty is valid only in the United States, United Kingdom, Republic of Ireland, Belgium, the Netherlands, Luxembourg, France, Germany and Mexico. For warranty terms in other countries, please consult your local distributor.

### Safety Notes

These Safety Notes include important information about installation, use, and maintenance.

- DO NOT open this product. It contains no user-serviceable parts.
- DO NOT look at the light source when the product is on.
- To eliminate unnecessary wear and improve its lifespan, during periods of non-use completely disconnect the product from power via breaker or by unplugging it.
- CAUTION: When transferring product from extreme temperature environments, (e.g. cold truck to warm humid ballroom) condensation may form on the internal electronics of the product. To avoid causing a failure, allow product to fully acclimate to the surrounding environment before connecting it to power.
- CAUTION: This product's housing may be hot when lights are operating.
- Mount this product in a location with adequate ventilation, at least 20 in (50 cm) from adjacent surfaces.
- DO NOT leave any flammable material within 20 cm of this product while operating or connected to power.
- USE a safety cable when mounting this product overhead.
- DO NOT operate this product outdoors or in any location where dust, excessive heat, water, or humidity may affect it. (IP20)
- DO NOT operate this product if the housing, lenses, or cables appear damaged.
- DO NOT connect this product to a dimmer or rheostat.
- ONLY connect this product to a grounded and protected circuit.
- ONLY use the hanging/mounting bracket or the handles to carry this product.
- In the event of a serious operating problem, stop using immediately.
- The maximum ambient temperature is 113 °F (45 °C). Do not operate this product at higher temperatures.
- The luminaire should be positioned so that prolonged staring into the luminaire at a distance closer than 25.3 ft (7.7 m) is not expected.
- If the external flexible cable or cord of this luminaire is damaged, it shall be replaced with a special cable or cord exclusively available from the manufacturer or its service agent.
- The light source contained in this luminaire shall only be replaced by the manufacturer, its service agent, or a similarly qualified person.
- The luminaire is intended for professional use only.

### FCC Compliance

This device complies with Part 15 Part B of the FCC Rules. Operation is subject to the following two conditions:

1. This device may not cause harmful interference, and
2. This device must accept any interference received, including interference that may cause undesired operation.

Any changes or modifications not expressly approved by the party responsible for compliance could void the user's authority to operate the equipment.

### Contact

Outside the U.S., U.K., Ireland, Benelux, France, Germany, or Mexico, contact your distributor to request support or return a product. Refer to [Contact Us](#) at the end of this QRG for contact information.

### What is Included

- Rogue R3X Wash
- Neutrik® powerCON® power cord
- 2 Omega brackets
- Quick Reference Guide

**AC Power**

This product has an auto-ranging power supply that can work with an input voltage range of 100–240 VAC, 50/60 Hz.

**Power Linking**

You can link up to 2 Rogue R3X Wash products at 100/120 V or 4 products at 208/230/240 V. Never exceed this number. Power linking cords can be purchased separately.

**AC Plug**

Connection	Wire (U.S.)	Wire (Europe)	Screw Color
AC Live	Black	Brown	Yellow/Brass
AC Neutral	White	Blue	Silver
AC Ground	Green/Yellow	Green/Yellow	Green



To eliminate unnecessary wear and improve its lifespan, during periods of non-use completely disconnect the product from power via breaker or by unplugging it.

**Replacing the Fuse**

1. Disconnect the product from power.
2. Using a flat head screwdriver, unscrew the fuse holder cap from the housing.
3. Remove blown fuse and replace with a good fuse of the same type and rating.
4. Screw the fuse holder cap back in place and reconnect power.

**DMX Linking**

The Rogue R3X Wash will work with a DMX controller using a 3- or 5-pin DMX serial connection. A DMX Primer is available from [www.chauvetprofessional.com](http://www.chauvetprofessional.com).

**DMX Connection**

The Rogue R3X Wash uses a 3- or 5-pin DMX data connection for its DMX personalities: **21CH**, **62CH**, **71CH**, and **107CH**. See the User Manual for information about connecting and configuring the product for DMX operation.

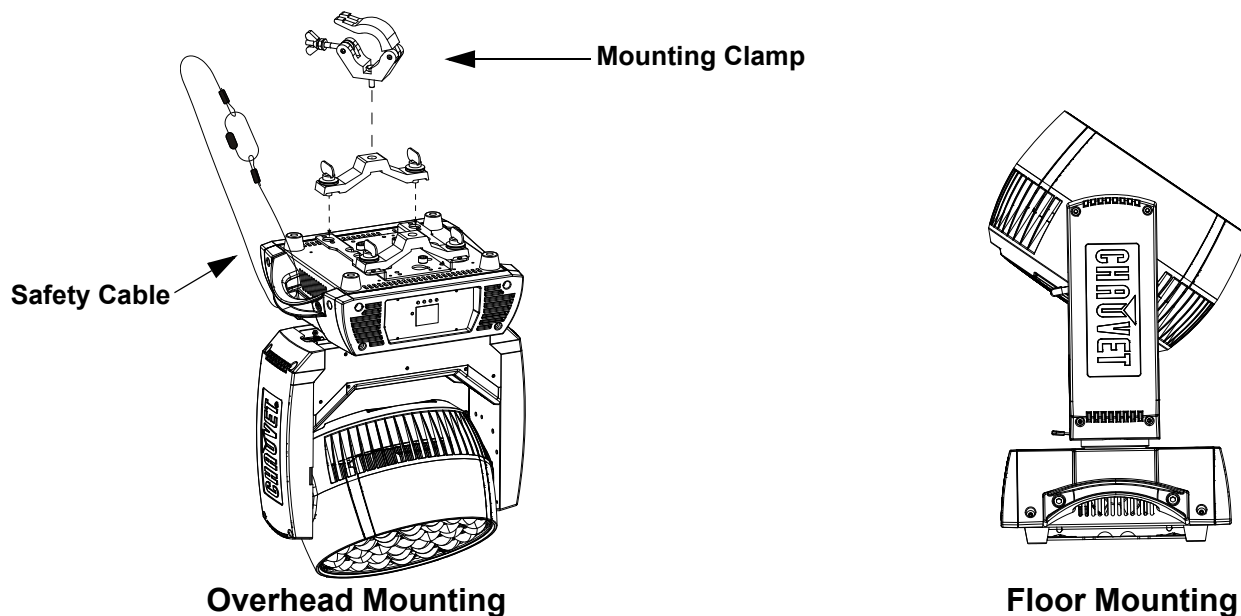
**RDM (Remote Device Management)**

Remote Device Management, or RDM, is a standard for allowing DMX-enabled devices to communicate bi-directionally along existing DMX cabling. Check the DMX controller’s User Manual or with the manufacturer as not all DMX controllers have this capability. The Rogue R3X Wash supports RDM protocol that allows feedback to make changes to menu map options. Download the User Manual from [www.chauvetprofessional.com](http://www.chauvetprofessional.com) for more details.

**Mounting**

Before mounting this product, read the [Safety Notes](#). Use at least one mounting point per product. Make sure the mounting clamps are capable of supporting the weight of the product. For our Chauvet line of mounting clamps, go to <http://trusst.com/productcategory/truss-clamps/>.

**Mounting Diagram**



When using only one mounting clamp, be sure to use a clamp with a captive bolt to prevent accidental loosening.

### Control Panel Description

Button	Function
<MENU>	Exits from the current menu or function
<ENTER>	Enables the currently displayed menu or sets the currently selected value into the selected function
<UP>	Navigates upwards through the menu list and increases the numeric value when in a function
<DOWN>	Navigates downwards through the menu list and decreases the numeric value when in a function

### Menu Map

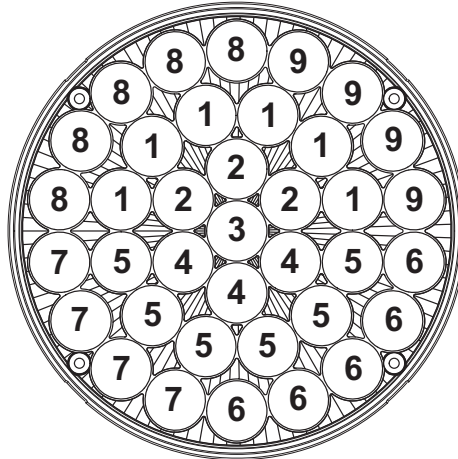
Refer for the Rogue R3X Wash product page on [www.chauvetprofessional.com](http://www.chauvetprofessional.com) for the latest menu map.

Main Level	Programming Levels		Description	
<b>Address</b>	<b>001-512</b>		Sets the DMX starting address	
<b>Running Mode</b>	<b>DMX</b>	<b>21</b>	Selects the DMX mode	
		<b>62</b>		
		<b>71</b>		
		<b>107</b>		
	<b>Auto Test</b>		Runs the product's test sequence	
	<b>Manual Test</b>	<b>Pan</b>	<b>000-255</b>	Allows manual control of all settings from the control panel
		<b>Tilt</b>		
		<b>P/T Speed</b>		
		<b>Red</b>		
		<b>Green</b>		
		<b>Blue</b>		
		<b>White</b>		
		<b>CTC</b>		
		<b>Color Pattern</b>		
		<b>LED Macro</b>		
<b>LED Ma. Speed</b>				
<b>LED Ma. Fade</b>				
<b>Background</b>				
<b>Background Dim.</b>				
<b>Dimmer</b>				
<b>Shutter</b>				
<b>Zoom</b>				
<b>Setup</b>	<b>Pan Reverse</b>	<b>OFF</b>	Reverse pan operation	
		<b>ON</b>	Normal pan operation	
	<b>Tilt Reverse</b>	<b>OFF</b>	Reverse tilt operation	
		<b>ON</b>	Normal tilt operation	
	<b>Zoom Reverse</b>	<b>OFF</b>	Reverse zoom operation	
		<b>ON</b>	Normal zoom operation	
	<b>Pan Angle</b>	<b>540</b>	Selects the 540° pan angle range	
		<b>360</b>	Selects the 360° pan angle range	
		<b>180</b>	Selects the 180° pan angle range	
	<b>Tilt Angle</b>	<b>230</b>	Selects the 230° tilt angle range	
		<b>180</b>	Selects the 180° tilt angle range	
		<b>90</b>	Selects the 90° tilt angle range	
	<b>XY Mode</b>	<b>Fast</b>	Sets pan/tilt speed	
		<b>Slow</b>		
<b>Auto</b>				
<b>Fans</b>	<b>ECO</b>	Selects the fan's operation mode		
	<b>Full</b>			
	<b>Auto</b>			



Main Level	Programming Levels			Description
Setup (cont.)	Display	OFF		Determines how long the backlight of the display will stay on after last command button pressed
		ON		
	Screen Rev	OFF		Normal control screen view
		ON		Rotates control screen view 180°
	C Mixing Mode	RGBW		Product mixes color using the RGBW method
		CMY		Product mixes color using the CMY method
	Dimmer Curve	Linear		Liner dimmer
		Square		Square curve dimmer
		I Squa		Reverse square curve dimmer
		Scurve		S curve dimmer
	Dimmer Speed	Smooth		Slow (Smooth) or fast (Fast) dimmer curves
		Fast		
	PWM Option	600Hz		Sets the PWM frequency
		1200Hz		
		2000Hz		
		4000Hz		
		15000Hz		
	Color calibration	ON		Max. output when RGBW DMX channels are at full
		OFF		Factory calibrated color temperature when RGBW DMX channels are at full
		Custom	RED	100-255
GREEN				
BLUE				
White Mode	On		Calibrates white to 7500K	
	Off		Uses maximum output values	
	Custom	RED		Sets red LED maximum value
		GREEN		Sets green LED maximum value
		BLUE		Sets blue LED maximum value
WHITE		Sets white LED maximum value		
Reset Function	Pan/Tilt	Yes	Resets pan/tilt functions to the home position	
		No		
	Zoom	Yes	Resets all Zoom functions to the home position	
		No		
	All	Yes	Resets all functions to the home position	
		No		
Factory Reset		Yes	Reverts the product back to the original factory settings	
		No		
Sys Info	Ver			Displays the software version
	Running Mode			Displays the current running mode
	DMX Address			Displays the current DMX address
	Temperature			Displays the product's temperature in Celsius
	Fixture Time			Displays the product's total time running
	UID			Shows product UID

Rogue R3X Wash Zones for DMX Control



DMX Values  
107CH

Channel	Function	Value	Percent/Setting
1	Pan	000 ⇔ 255	0-100%
2	Fine Pan	000 ⇔ 255	Fine control (16-bit)
3	Tilt	000 ⇔ 255	0-100%
4	Fine Tilt	000 ⇔ 255	Fine control (16-bit)
5	Pan/Tilt Speed	000 ⇔ 255	0-100%
6	Dimmer	000 ⇔ 255	0-100%
7	Fine Dimmer	000 ⇔ 255	Fine control (16-bit)
8	Shutter	000 ⇔ 019	off
		020 ⇔ 024	on
		025 ⇔ 064	strobe 1 with decreasing speed
		065 ⇔ 069	on
		070 ⇔ 084	strobe 2 (fast on slow off) with decreasing speed
		085 ⇔ 089	on
		090 ⇔ 104	strobe 3 (slow on fast off) with decreasing speed
		105 ⇔ 109	on
		110 ⇔ 124	strobe 4 (random strobe) with decreasing speed
		125 ⇔ 129	on
130 ⇔ 144	strobe 5 (random fast on slow off) with decreasing speed		
145 ⇔ 149	on		
150 ⇔ 164	strobe 6 (random slow on fast off) with decreasing speed		
165 ⇔ 169	on		
170 ⇔ 184	strobe 7 (pulse strobe) with decreasing speed		
185 ⇔ 189	on		
190 ⇔ 204	strobe 8 (random pulse strobe) with decreasing speed		
205 ⇔ 209	on		
210 ⇔ 224	strobe 9 (fade on or off) with decreasing speed		
225 ⇔ 229	on		
230 ⇔ 244	strobe 10 (pulse strobe) with decreasing speed		
245 ⇔ 255	on		
9	CTC	000	No function
		001 ⇔ 255	2800 to 10,000K

Channel	Function	Value	Percent/Setting				
10	Color	000	No function				
		001 ⇔ 002	2700K	R:156	G: 118	B: 0	W: 63
		003 ⇔ 004	3200K	R:156	G: 141	B: 5	W: 89
		005 ⇔ 006	4200K	R:156	G: 141	B: 14	W: 255
		007 ⇔ 008	5600K	R:156	G: 207	B: 54	W: 255
		009 ⇔ 010	8000K	R:130	G: 255	B: 96	W: 255
		11	Blue	R: 0	G: 0	B: 255	W: 0
		012 ⇔ 048		R: 0	G: +	B: 255	W: 0
		049	Cyan	R: 0	G: 255	B: 255	W: 0
		050 ⇔ 086		R: 0	G: 255	B: -	W: 0
		087	Green	R: 0	G: 255	B: 0	W: 0
		088 ⇔ 124		R: +	G: 255	B: 0	W: 0
		125	Yellow	R: 255	G: 255	B: 0	W: 0
		126 ⇔ 162		R: 255	G: -	B: 0	W: 0
		163	Red	R: 255	G: 0	B: 0	W: 0
		164 ⇔ 200		R: 255	G: 0	B: +	W: 0
		201	Magenta	R: 255	G: 0	B: 255	W: 0
		202 ⇔ 238		R: -	G: 0	B: 255	W: 0
		239	Blue	R: 0	G: 0	B: 255	W: 0
		240 ⇔ 247	Color change, fast to slow				
248 ⇔ 255	Color jump, fast to slow						
11	Gobo	000 ⇔ 003	No function				
		004 ⇔ 006	Gobo 1				
		007 ⇔ 009	Gobo 2				
		010 ⇔ 012	Gobo 3				
		013 ⇔ 015	Gobo 4				
		016 ⇔ 018	Gobo 5				
		019 ⇔ 021	Gobo 6				
		022 ⇔ 024	Gobo 7				
		025 ⇔ 027	Gobo 8				
		028 ⇔ 030	Gobo 9				
		031 ⇔ 033	No Gobo				
		034 ⇔ 036	Gobo 10				
		037 ⇔ 039	Gobo 11				
		040 ⇔ 042	Gobo 12				
		043 ⇔ 045	Gobo 13				
		046 ⇔ 048	Gobo 14				
		049 ⇔ 051	Gobo 15				
		052 ⇔ 054	Gobo 16				
		055 ⇔ 057	Gobo 17				
		058 ⇔ 060	Gobo 18				
		061 ⇔ 063	Gobo 19				
		064 ⇔ 066	Gobo 20				
		067 ⇔ 069	Gobo 21				
		070 ⇔ 072	Gobo 22				
		073 ⇔ 075	Gobo 23				
		076 ⇔ 078	Gobo 24				
		079 ⇔ 081	Gobo 25				
		082 ⇔ 084	Gobo 26				
		085 ⇔ 087	Gobo 27				
		088 ⇔ 090	Gobo 28				
		091 ⇔ 093	Gobo 29				
		094 ⇔ 096	Gobo 30				
		097 ⇔ 099	Gobo 31				
		100 ⇔ 102	Gobo 32				
		103 ⇔ 105	Gobo 33				
		106 ⇔ 108	Gobo 34				
		109 ⇔ 111	Gobo 35				
		112 ⇔ 114	Gobo 36				
		115 ⇔ 117	Gobo 37				
		118 ⇔ 120	Gobo 38				
121 ⇔ 123	Gobo 39						
124 ⇔ 126	Gobo 40						

# QUICK REFERENCE GUIDE



EN

Channel	Function	Value	Percent/Setting
<b>11 (cont.)</b>	<b>Gobo (cont.)</b>	127 ⇄ 129	Gobo 41
		130 ⇄ 132	Gobo 42
		133 ⇄ 135	Gobo 43
		136 ⇄ 138	Gobo 44
		139 ⇄ 141	Gobo 45
		142 ⇄ 144	Gobo 46
		145 ⇄ 147	Gobo 47
		148 ⇄ 150	Gobo 48
		151 ⇄ 153	Gobo 49
		154 ⇄ 156	Gobo 50
		157 ⇄ 159	Gobo 51
		160 ⇄ 162	Gobo 52
		163 ⇄ 165	Gobo 53
		166 ⇄ 168	Gobo 54
		169 ⇄ 171	Gobo 55
		172 ⇄ 174	Gobo 56
		175 ⇄ 177	Gobo 57
		178 ⇄ 180	Gobo 58
		181 ⇄ 183	Gobo 59
		184 ⇄ 186	Gobo 60
		187 ⇄ 189	Gobo 61
		190 ⇄ 192	Gobo 62
		193 ⇄ 195	Gobo 63
		196 ⇄ 198	Gobo 64
		199 ⇄ 201	Gobo 65
		202 ⇄ 204	Gobo 66
		205 ⇄ 207	Gobo 67
		208 ⇄ 210	Gobo 68
		211 ⇄ 213	Gobo 69
		214 ⇄ 216	Gobo 70
		217 ⇄ 219	Gobo 71
		220 ⇄ 222	Gobo 72
		223 ⇄ 225	Gobo 73
		226 ⇄ 228	Gobo 74
229 ⇄ 231	Gobo 75		
232 ⇄ 234	Gobo 76		
235 ⇄ 237	Gobo 77		
238 ⇄ 240	Gobo 78		
241 ⇄ 243	Gobo 79		
244 ⇄ 246	Gobo 80		
247 ⇄ 249	Gobo 81		
250 ⇄ 252	Gobo 82		
253 ⇄ 255	Gobo 83		
<b>12</b>	<b>LED Built-in</b>	000 ⇄ 015	No function
		016 ⇄ 017	Built-in 1
		018 ⇄ 019	Built-in 2
		020 ⇄ 021	Built-in 3
		022 ⇄ 023	Built-in 4
		024 ⇄ 025	Built-in 5
		026 ⇄ 027	Built-in 6
		028 ⇄ 029	Built-in 7
		030 ⇄ 031	Built-in 8
		032 ⇄ 033	Built-in 9
		034 ⇄ 035	Built-in 10
		036 ⇄ 037	Built-in 11
		038 ⇄ 039	Built-in 12
		040 ⇄ 041	Built-in 13
		042 ⇄ 043	Built-in 14
		044 ⇄ 045	Built-in 15
		046 ⇄ 047	Built-in 16
		048 ⇄ 049	Built-in 17
		050 ⇄ 051	Built-in 18
		052 ⇄ 053	Built-in 19
054 ⇄ 055	Built-in 20		

Channel	Function	Value	Percent/Setting
12 (cont.)	LED Built-in (cont.)	056 ⇄ 057	Built-in 21
		058 ⇄ 059	Built-in 22
		060 ⇄ 061	Built-in 23
		062 ⇄ 063	Built-in 24
		064 ⇄ 065	Built-in 25
		066 ⇄ 067	Built-in 26
		068 ⇄ 069	Built-in 27
		070 ⇄ 071	Built-in 28
		072 ⇄ 073	Built-in 29
		074 ⇄ 075	Built-in 30
		076 ⇄ 077	Built-in 31
		078 ⇄ 079	Built-in 32
		080 ⇄ 081	Built-in 33
		082 ⇄ 083	Built-in 34
		084 ⇄ 085	Built-in 35
		086 ⇄ 087	Built-in 36
		088 ⇄ 089	Built-in 37
		090 ⇄ 091	Built-in 38
		092 ⇄ 093	Built-in 39
		094 ⇄ 095	Built-in 40
		096 ⇄ 097	Built-in 41
		098 ⇄ 099	Built-in 42
		100 ⇄ 101	Built-in 43
		102 ⇄ 103	Built-in 44
		104 ⇄ 105	Built-in 45
		106 ⇄ 107	Built-in 46
		108 ⇄ 109	Built-in 47
		110 ⇄ 111	Built-in 48
		112 ⇄ 113	Built-in 49
		114 ⇄ 115	Built-in 50
		116 ⇄ 117	Built-in 51
		118 ⇄ 119	Built-in 52
		120 ⇄ 121	Built-in 53
		122 ⇄ 123	Built-in 54
		124 ⇄ 125	Built-in 55
		126 ⇄ 127	Built-in 56
		128 ⇄ 135	Built-in 57
		136 ⇄ 137	Built-in 58
138 ⇄ 139	Built-in 59		
140 ⇄ 141	Built-in 60		
142 ⇄ 143	Built-in 61		
144 ⇄ 145	Built-in 62		
146 ⇄ 147	Built-in 63		
148 ⇄ 149	Built-in 64		
150 ⇄ 151	Built-in 65		
152 ⇄ 153	Built-in 66		
154 ⇄ 155	Built-in 67		
156 ⇄ 157	Built-in 68		
158 ⇄ 159	Built-in 69		
160 ⇄ 161	Built-in 70		
162 ⇄ 163	Built-in 71		
164 ⇄ 165	Built-in 72		
166 ⇄ 167	Built-in 73		
168 ⇄ 169	Built-in 74		
170 ⇄ 171	Built-in 75		
172 ⇄ 173	Built-in 76		
174 ⇄ 175	Built-in 77		
176 ⇄ 177	Built-in 78		
178 ⇄ 179	Built-in 79		
180 ⇄ 181	Built-in 80		
182 ⇄ 183	Built-in 81		
184 ⇄ 185	Built-in 82		
186 ⇄ 187	Built-in 83		
188 ⇄ 189	Built-in 84		
190 ⇄ 191	Built-in 85		

# QUICK REFERENCE GUIDE



EN

Channel	Function	Value	Percent/Setting
12 (cont.)	LED Built-in (cont.)	192 ⇔ 193	Built-in 86
		194 ⇔ 195	Built-in 87
		196 ⇔ 197	Built-in 88
		198 ⇔ 199	Built-in 89
		200 ⇔ 201	Built-in 90
		202 ⇔ 203	Built-in 91
		204 ⇔ 205	Built-in 92
		206 ⇔ 207	Built-in 93
		208 ⇔ 209	Built-in 94
		210 ⇔ 211	Built-in 95
		212 ⇔ 213	Built-in 96
		214 ⇔ 215	Built-in 97
		216 ⇔ 217	Built-in 98
		218 ⇔ 219	Built-in 99
		220 ⇔ 221	Built-in 100
		222 ⇔ 223	Built-in 101
		224 ⇔ 225	Built-in 102
		226 ⇔ 227	Built-in 103
		228 ⇔ 229	Built-in 104
		230 ⇔ 231	Built-in 105
		232 ⇔ 233	Built-in 106
		234 ⇔ 235	Built-in 107
		236 ⇔ 237	Built-in 108
		238 ⇔ 239	Built-in 109
		240 ⇔ 241	Built-in 110
		242 ⇔ 243	Built-in 111
		244 ⇔ 245	Built-in 112
		246 ⇔ 247	Built-in 113
248 ⇔ 255	Built-in 114		
13	LED Built-in Speed	000 ⇔ 127 128 129 ⇔ 255	Clockwise fast to slow Stop Counter-clockwise slow to fast
14	LED Built-in Delay	000 ⇔ 255	Fast to slow
15	Background Color Macros	000	No function
		001 ⇔ 002	2700K R:156 G: 118 B: 0 W: 63
		003 ⇔ 004	3200K R:156 G: 141 B: 5 W: 89
		005 ⇔ 006	4200K R:156 G: 141 B: 14 W: 255
		007 ⇔ 008	5600K R:156 G: 207 B: 54 W: 255
		009 ⇔ 010	8000K R:130 G: 255 B: 96 W: 255
		11	Blue R: 0 G: 0 B: 255 W: 0
		012 ⇔ 048	R: 0 G: + B: 255 W: 0
		049	Cyan R: 0 G: 255 B: 255 W: 0
		050 ⇔ 086	R: 0 G: 255 B: - W: 0
		087	Green R: 0 G: 255 B: 0 W: 0
		088 ⇔ 124	R: + G: 255 B: 0 W: 0
		125	Yellow R: 255 G: 255 B: 0 W: 0
		126 ⇔ 162	R: 255 G: - B: 0 W: 0
		163	Red R: 255 G: 0 B: 0 W: 0
		164 ⇔ 200	R: 255 G: 0 B: + W: 0
		201	Magenta R: 255 G: 0 B: 255 W: 0
		202 ⇔ 238	R: - G: 0 B: 255 W: 0
		239	Blue R: 0 G: 0 B: 255 W: 0
		240 ⇔ 247	Color change, fast to slow
248 ⇔ 255	Color jump, fast to slow		
16	Background Color Dimmer	000 ⇔ 255	0-100%
17	Background Color Fine Dimmer	000 ⇔ 255	Fine control (16-bit)
18	Background Red	000 ⇔ 255	0-100%
19	Background Fine Red	000 ⇔ 255	Fine control (16-bit)
20	Background Green	000 ⇔ 255	0-100%
21	Background Fine Green	000 ⇔ 255	Fine control (16-bit)
22	Background Blue	000 ⇔ 255	0-100%



Channel	Function	Value	Percent/Setting
23	Background Fine Blue	000 ⇔ 255	Fine control (16-bit)
24	Background White	000 ⇔ 255	0-100%
25	Background Fine White	000 ⇔ 255	Fine control (16-bit)
26	Zoom	000 ⇔ 255	0-100%
27	Control	000 ⇔ 009	No function
		010 ⇔ 014	Pan/Tilt blackout
		015 ⇔ 019	No function
		020 ⇔ 024	RGBW color mixing (5 sec.)
		025 ⇔ 029	CMY color mixing (5 sec.)
		030 ⇔ 034	No function
		035 ⇔ 039	No function
		040 ⇔ 044	No function
		045 ⇔ 049	No function
		050 ⇔ 054	Pan reset
		055 ⇔ 059	Tilt reset
		060 ⇔ 064	Zoom reset
		065 ⇔ 069	No function
		070 ⇔ 074	All reset
		075 ⇔ 079	No function
		080 ⇔ 084	Pan/Tilt reverse
		085 ⇔ 089	Pan reverse
		090 ⇔ 094	Tilt reverse
		095 ⇔ 099	Cancel pan reverse
		100 ⇔ 104	Cancel tilt reverse
105 ⇔ 109	Cancel pan/tilt reverse		
110 ⇔ 114	No function		
115 ⇔ 119	No function		
120 ⇔ 124	Fan low speed		
125 ⇔ 129	Fan full speed		
130 ⇔ 134	Fan auto		
135 ⇔ 139	Dimmer Fast mode		
140 ⇔ 144	Dimmer Smooth mode		
145 ⇔ 149	Linear curve		
150 ⇔ 154	Square curve		
155 ⇔ 159	I Squa curve		
160 ⇔ 164	Scurve		
165 ⇔ 169	White mode on		
170 ⇔ 174	White mode off		
175 ⇔ 255	No function		
28	Red (Cyan)	000 ⇔ 255	0-100%
29	Fine Red (Cyan)	000 ⇔ 255	Fine control (16-bit)
30	Green (Magenta)	000 ⇔ 255	0-100%
31	Fine Green (Magenta)	000 ⇔ 255	Fine control (16-bit)
32	Blue (Yellow)	000 ⇔ 255	0-100%
33	Fine Blue (Yellow)	000 ⇔ 255	Fine control (16-bit)
34	White	000 ⇔ 255	0-100%
35	Fine White	000 ⇔ 255	Fine control (16-bit)
36	Red 1 (Cyan)	000 ⇔ 255	0-100%
37	Fine Red 1 (Cyan)	000 ⇔ 255	Fine control (16-bit)
38	Green 1 (Magenta)	000 ⇔ 255	0-100%
39	Fine Green 1 (Magenta)	000 ⇔ 255	Fine control (16-bit)
40	Blue 1 (Yellow)	000 ⇔ 255	0-100%
41	Fine Blue 1 (Yellow)	000 ⇔ 255	Fine control (16-bit)
42	White 1	000 ⇔ 255	0-100%
43	Fine White 1	000 ⇔ 255	Fine control (16-bit)
44	Red 2 (Cyan)	000 ⇔ 255	0-100%
45	Fine Red 2 (Cyan)	000 ⇔ 255	Fine control (16-bit)
46	Green 2 (Magenta)	000 ⇔ 255	0-100%
47	Fine Green 2 (Magenta)	000 ⇔ 255	Fine control (16-bit)

## QUICK REFERENCE GUIDE



EN

Channel	Function	Value	Percent/Setting
48	Blue 2 (Yellow)	000 ⇔ 255	0-100%
49	Fine Blue 2 (Yellow)	000 ⇔ 255	Fine control (16-bit)
50	White 2	000 ⇔ 255	0-100%
51	Fine White 2	000 ⇔ 255	Fine control (16-bit)
52	Red 3 (Cyan)	000 ⇔ 255	0-100%
53	Fine Red 3 (Cyan)	000 ⇔ 255	Fine control (16-bit)
54	Green 3 (Magenta)	000 ⇔ 255	0-100%
55	Fine Green 3 (Magenta)	000 ⇔ 255	Fine control (16-bit)
56	Blue 3 (Yellow)	000 ⇔ 255	0-100%
57	Fine Blue 3 (Yellow)	000 ⇔ 255	Fine control (16-bit)
58	White 3	000 ⇔ 255	0-100%
59	Fine White 3	000 ⇔ 255	Fine control (16-bit)
60	Red 4 (Cyan)	000 ⇔ 255	0-100%
61	Fine Red 4 (Cyan)	000 ⇔ 255	Fine control (16-bit)
62	Green 4 (Magenta)	000 ⇔ 255	0-100%
63	Fine Green 4 (Magenta)	000 ⇔ 255	Fine control (16-bit)
64	Blue 4 (Yellow)	000 ⇔ 255	0-100%
65	Fine Blue 4 (Yellow)	000 ⇔ 255	Fine control (16-bit)
66	White 4	000 ⇔ 255	0-100%
67	Fine White 4	000 ⇔ 255	Fine control (16-bit)
68	Red 5 (Cyan)	000 ⇔ 255	0-100%
69	Fine Red 5 (Cyan)	000 ⇔ 255	Fine control (16-bit)
70	Green 5 (Magenta)	000 ⇔ 255	0-100%
71	Fine Green 5 (Magenta)	000 ⇔ 255	Fine control (16-bit)
72	Blue 5 (Yellow)	000 ⇔ 255	0-100%
73	Fine Blue 5 (Yellow)	000 ⇔ 255	Fine control (16-bit)
74	White 5	000 ⇔ 255	0-100%
75	Fine White 5	000 ⇔ 255	Fine control (16-bit)
76	Red 6 (Cyan)	000 ⇔ 255	0-100%
77	Fine Red 6 (Cyan)	000 ⇔ 255	Fine control (16-bit)
78	Green 6 (Magenta)	000 ⇔ 255	0-100%
79	Fine Green 6 (Magenta)	000 ⇔ 255	Fine control (16-bit)
80	Blue 6 (Yellow)	000 ⇔ 255	0-100%
81	Fine Blue 6 (Yellow)	000 ⇔ 255	Fine control (16-bit)
82	White 6	000 ⇔ 255	0-100%
83	Fine White 6	000 ⇔ 255	Fine control (16-bit)
84	Red 7 (Cyan)	000 ⇔ 255	0-100%
85	Fine Red 7 (Cyan)	000 ⇔ 255	Fine control (16-bit)
86	Green 7 (Magenta)	000 ⇔ 255	0-100%
87	Fine Green 7 (Magenta)	000 ⇔ 255	Fine control (16-bit)
88	Blue 7 (Yellow)	000 ⇔ 255	0-100%
89	Fine Blue 7 (Yellow)	000 ⇔ 255	Fine control (16-bit)
90	White 7	000 ⇔ 255	0-100%
91	Fine White 7	000 ⇔ 255	Fine control (16-bit)
92	Red 8 (Cyan)	000 ⇔ 255	0-100%
93	Fine Red 8 (Cyan)	000 ⇔ 255	Fine control (16-bit)
94	Green 8 (Magenta)	000 ⇔ 255	0-100%
95	Fine Green 8 (Magenta)	000 ⇔ 255	Fine control (16-bit)
96	Blue 8 (Yellow)	000 ⇔ 255	0-100%
97	Fine Blue 8 (Yellow)	000 ⇔ 255	Fine control (16-bit)
98	White 8	000 ⇔ 255	0-100%

Channel	Function	Value	Percent/Setting
99	Fine White 8	000 ⇔ 255	Fine control (16-bit)
100	Red 9 (Cyan)	000 ⇔ 255	0-100%
101	Fine Red 9 (Cyan)	000 ⇔ 255	Fine control (16-bit)
102	Green 9 (Magenta)	000 ⇔ 255	0-100%
103	Fine Green 9 (Magenta)	000 ⇔ 255	Fine control (16-bit)
104	Blue 9 (Yellow)	000 ⇔ 255	0-100%
105	Fine Blue 9 (Yellow)	000 ⇔ 255	Fine control (16-bit)
106	White 9	000 ⇔ 255	0-100%
107	Fine White 9	000 ⇔ 255	Fine control (16-bit)

71CH

Channel	Function	Value	Percent/Setting
1	Pan	000 ⇔ 255	0-100%
2	Fine Pan	000 ⇔ 255	Fine control (16-bit)
3	Tilt	000 ⇔ 255	0-100%
4	Fine Tilt	000 ⇔ 255	Fine control (16-bit)
5	Pan/Tilt Speed	000 ⇔ 255	0-100%
6	Dimmer	000 ⇔ 255	0-100%
7	Fine Dimmer	000 ⇔ 255	Fine control (16-bit)
8	Shutter	000 ⇔ 019 off 020 ⇔ 024 on 025 ⇔ 064 strobe 1 with decreasing speed 065 ⇔ 069 on 070 ⇔ 084 strobe 2 (fast on slow off) with decreasing speed 085 ⇔ 089 on 090 ⇔ 104 strobe 3 (slow on fast off) with decreasing speed 105 ⇔ 109 on 110 ⇔ 124 strobe 4 (random strobe) with decreasing speed 125 ⇔ 129 on 130 ⇔ 144 strobe 5 (random fast on slow off) with decreasing speed 145 ⇔ 149 on 150 ⇔ 164 strobe 6 (random slow on fast off) with decreasing speed 165 ⇔ 169 on 170 ⇔ 184 strobe 7 (pulse strobe) with decreasing speed 185 ⇔ 189 on 190 ⇔ 204 strobe 8 (random pulse strobe) with decreasing speed 205 ⇔ 209 on 210 ⇔ 224 strobe 9 (fade on or off) with decreasing speed 225 ⇔ 229 on 230 ⇔ 244 strobe 10 (pulse strobe) with decreasing speed 245 ⇔ 255 on	
9	CTC	000 No function 001 ⇔ 255 2800 to 10,000K	

# QUICK REFERENCE GUIDE



EN

Channel	Function	Value	Percent/Setting				
<b>10</b>	<b>Color</b>	000	No function				
		001 ⇌ 002	2700K	R:156	G: 118	B: 0	W: 63
		003 ⇌ 004	3200K	R:156	G: 141	B: 5	W: 89
		005 ⇌ 006	4200K	R:156	G: 141	B: 14	W: 255
		007 ⇌ 008	5600K	R:156	G: 207	B: 54	W: 255
		009 ⇌ 010	8000K	R:130	G: 255	B: 96	W: 255
		11	Blue	R: 0	G: 0	B: 255	W: 0
		012 ⇌ 048		R: 0	G: +	B: 255	W: 0
		049	Cyan	R: 0	G: 255	B: 255	W: 0
		050 ⇌ 086		R: 0	G: 255	B: -	W: 0
		087	Green	R: 0	G: 255	B: 0	W: 0
		088 ⇌ 124		R: +	G: 255	B: 0	W: 0
		125	Yellow	R: 255	G: 255	B: 0	W: 0
		126 ⇌ 162		R: 255	G: -	B: 0	W: 0
		163	Red	R: 255	G: 0	B: 0	W: 0
		164 ⇌ 200		R: 255	G: 0	B: +	W: 0
		201	Magenta	R: 255	G: 0	B: 255	W: 0
		202 ⇌ 238		R: -	G: 0	B: 255	W: 0
		239	Blue	R: 0	G: 0	B: 255	W: 0
		240 ⇌ 247	Color change, fast to slow				
248 ⇌ 255	Color jump, fast to slow						
<b>11</b>	<b>Gobo</b>	000 ⇌ 003	No function				
		004 ⇌ 006	Gobo 1				
		007 ⇌ 009	Gobo 2				
		010 ⇌ 012	Gobo 3				
		013 ⇌ 015	Gobo 4				
		016 ⇌ 018	Gobo 5				
		019 ⇌ 021	Gobo 6				
		022 ⇌ 024	Gobo 7				
		025 ⇌ 027	Gobo 8				
		028 ⇌ 030	Gobo 9				
		031 ⇌ 033	No Gobo				
		034 ⇌ 036	Gobo 10				
		037 ⇌ 039	Gobo 11				
		040 ⇌ 042	Gobo 12				
		043 ⇌ 045	Gobo 13				
		046 ⇌ 048	Gobo 14				
		049 ⇌ 051	Gobo 15				
		052 ⇌ 054	Gobo 16				
		055 ⇌ 057	Gobo 17				
		058 ⇌ 060	Gobo 18				
		061 ⇌ 063	Gobo 19				
		064 ⇌ 066	Gobo 20				
		067 ⇌ 069	Gobo 21				
		070 ⇌ 072	Gobo 22				
		073 ⇌ 075	Gobo 23				
		076 ⇌ 078	Gobo 24				
		079 ⇌ 081	Gobo 25				
		082 ⇌ 084	Gobo 26				
		085 ⇌ 087	Gobo 27				
		088 ⇌ 090	Gobo 28				
		091 ⇌ 093	Gobo 29				
		094 ⇌ 096	Gobo 30				
		097 ⇌ 099	Gobo 31				
		100 ⇌ 102	Gobo 32				
		103 ⇌ 105	Gobo 33				
		106 ⇌ 108	Gobo 34				
		109 ⇌ 111	Gobo 35				
		112 ⇌ 114	Gobo 36				
		115 ⇌ 117	Gobo 37				
		118 ⇌ 120	Gobo 38				
121 ⇌ 123	Gobo 39						
124 ⇌ 126	Gobo 40						

Channel	Function	Value	Percent/Setting
11 (cont.)	Gobo (cont.)	127 ⇔ 129	Gobo 41
		130 ⇔ 132	Gobo 42
		133 ⇔ 135	Gobo 43
		136 ⇔ 138	Gobo 44
		139 ⇔ 141	Gobo 45
		142 ⇔ 144	Gobo 46
		145 ⇔ 147	Gobo 47
		148 ⇔ 150	Gobo 48
		151 ⇔ 153	Gobo 49
		154 ⇔ 156	Gobo 50
		157 ⇔ 159	Gobo 51
		160 ⇔ 162	Gobo 52
		163 ⇔ 165	Gobo 53
		166 ⇔ 168	Gobo 54
		169 ⇔ 171	Gobo 55
		172 ⇔ 174	Gobo 56
		175 ⇔ 177	Gobo 57
		178 ⇔ 180	Gobo 58
		181 ⇔ 183	Gobo 59
		184 ⇔ 186	Gobo 60
		187 ⇔ 189	Gobo 61
		190 ⇔ 192	Gobo 62
		193 ⇔ 195	Gobo 63
		196 ⇔ 198	Gobo 64
		199 ⇔ 201	Gobo 65
		202 ⇔ 204	Gobo 66
		205 ⇔ 207	Gobo 67
		208 ⇔ 210	Gobo 68
		211 ⇔ 213	Gobo 69
		214 ⇔ 216	Gobo 70
		217 ⇔ 219	Gobo 71
		220 ⇔ 222	Gobo 72
		223 ⇔ 225	Gobo 73
		226 ⇔ 228	Gobo 74
		229 ⇔ 231	Gobo 75
		232 ⇔ 234	Gobo 76
		235 ⇔ 237	Gobo 77
238 ⇔ 240	Gobo 78		
241 ⇔ 243	Gobo 79		
244 ⇔ 246	Gobo 80		
247 ⇔ 249	Gobo 81		
250 ⇔ 252	Gobo 82		
253 ⇔ 255	Gobo 83		

# QUICK REFERENCE GUIDE



EN

Channel	Function	Value	Percent/Setting
12	LED Built-in	000 ⇔ 015	No function
		016 ⇔ 017	Built-in 1
		018 ⇔ 019	Built-in 2
		020 ⇔ 021	Built-in 3
		022 ⇔ 023	Built-in 4
		024 ⇔ 025	Built-in 5
		026 ⇔ 027	Built-in 6
		028 ⇔ 029	Built-in 7
		030 ⇔ 031	Built-in 8
		032 ⇔ 033	Built-in 9
		034 ⇔ 035	Built-in 10
		036 ⇔ 037	Built-in 11
		038 ⇔ 039	Built-in 12
		040 ⇔ 041	Built-in 13
		042 ⇔ 043	Built-in 14
		044 ⇔ 045	Built-in 15
		046 ⇔ 047	Built-in 16
		048 ⇔ 049	Built-in 17
		050 ⇔ 051	Built-in 18
		052 ⇔ 053	Built-in 19
		054 ⇔ 055	Built-in 20
		056 ⇔ 057	Built-in 21
		058 ⇔ 059	Built-in 22
		060 ⇔ 061	Built-in 23
		062 ⇔ 063	Built-in 24
		064 ⇔ 065	Built-in 25
		066 ⇔ 067	Built-in 26
		068 ⇔ 069	Built-in 27
		070 ⇔ 071	Built-in 28
		072 ⇔ 073	Built-in 29
		074 ⇔ 075	Built-in 30
		076 ⇔ 077	Built-in 31
		078 ⇔ 079	Built-in 32
		080 ⇔ 081	Built-in 33
		082 ⇔ 083	Built-in 34
		084 ⇔ 085	Built-in 35
		086 ⇔ 087	Built-in 36
		088 ⇔ 089	Built-in 37
		090 ⇔ 091	Built-in 38
		092 ⇔ 093	Built-in 39
		094 ⇔ 095	Built-in 40
		096 ⇔ 097	Built-in 41
		098 ⇔ 099	Built-in 42
		100 ⇔ 101	Built-in 43
102 ⇔ 103	Built-in 44		



Channel	Function	Value	Percent/Setting
		104 ⇄ 105	Built-in 45
		106 ⇄ 107	Built-in 46
		108 ⇄ 109	Built-in 47
		110 ⇄ 111	Built-in 48
		112 ⇄ 113	Built-in 49
		114 ⇄ 115	Built-in 50
		116 ⇄ 117	Built-in 51
		118 ⇄ 119	Built-in 52
		120 ⇄ 121	Built-in 53
		122 ⇄ 123	Built-in 54
		124 ⇄ 125	Built-in 55
		126 ⇄ 127	Built-in 56
		128 ⇄ 135	Built-in 57
		136 ⇄ 137	Built-in 58
		138 ⇄ 139	Built-in 59
		140 ⇄ 141	Built-in 60
		142 ⇄ 143	Built-in 61
		144 ⇄ 145	Built-in 62
		146 ⇄ 147	Built-in 63
		148 ⇄ 149	Built-in 64
		150 ⇄ 151	Built-in 65
		152 ⇄ 153	Built-in 66
		154 ⇄ 155	Built-in 67
		156 ⇄ 157	Built-in 68
		158 ⇄ 159	Built-in 69
		160 ⇄ 161	Built-in 70
		162 ⇄ 163	Built-in 71
		164 ⇄ 165	Built-in 72
		166 ⇄ 167	Built-in 73
		168 ⇄ 169	Built-in 74
		170 ⇄ 171	Built-in 75
		172 ⇄ 173	Built-in 76
		174 ⇄ 175	Built-in 77
		176 ⇄ 177	Built-in 78
		178 ⇄ 179	Built-in 79
		180 ⇄ 181	Built-in 80
		182 ⇄ 183	Built-in 81
		184 ⇄ 185	Built-in 82
		186 ⇄ 187	Built-in 83
		188 ⇄ 189	Built-in 84
		190 ⇄ 191	Built-in 85
		192 ⇄ 193	Built-in 86
		194 ⇄ 195	Built-in 87
		196 ⇄ 197	Built-in 88
		198 ⇄ 199	Built-in 89
		200 ⇄ 201	Built-in 90
		202 ⇄ 203	Built-in 91
		204 ⇄ 205	Built-in 92
		206 ⇄ 207	Built-in 93
		208 ⇄ 209	Built-in 94
		210 ⇄ 211	Built-in 95
		212 ⇄ 213	Built-in 96
		214 ⇄ 215	Built-in 97
		216 ⇄ 217	Built-in 98
		218 ⇄ 219	Built-in 99
		220 ⇄ 221	Built-in 100
		222 ⇄ 223	Built-in 101
		224 ⇄ 225	Built-in 102
		226 ⇄ 227	Built-in 103
		228 ⇄ 229	Built-in 104
		230 ⇄ 231	Built-in 105
		232 ⇄ 233	Built-in 106
		234 ⇄ 235	Built-in 107
		236 ⇄ 237	Built-in 108
		238 ⇄ 239	Built-in 109
12 (cont.)	LED Built-in (cont.)		

## QUICK REFERENCE GUIDE



EN

Channel	Function	Value	Percent/Setting
12 (cont.)	LED Built-in (cont.)	240 ⇔ 241	Built-in 110
		242 ⇔ 243	Built-in 111
		244 ⇔ 245	Built-in 112
		246 ⇔ 247	Built-in 113
		248 ⇔ 255	Built-in 114
13	LED Built-in Speed	000 ⇔ 127	Clockwise fast to slow
		128	Stop
		129 ⇔ 255	Counter-clockwise slow to fast
14	LED Built-in Delay	000 ⇔ 255	Fast to slow
15	Background Color Macros	000	No function
		001 ⇔ 002	2700K R:156 G: 118 B: 0 W: 63
		003 ⇔ 004	3200K R:156 G: 141 B: 5 W: 89
		005 ⇔ 006	4200K R:156 G: 141 B: 14 W: 255
		007 ⇔ 008	5600K R:156 G: 207 B: 54 W: 255
		009 ⇔ 010	8000K R:130 G: 255 B: 96 W: 255
		11	Blue R: 0 G: 0 B: 255 W: 0
		012 ⇔ 048	R: 0 G: + B: 255 W: 0
		049	Cyan R: 0 G: 255 B: 255 W: 0
		050 ⇔ 086	R: 0 G: 255 B: - W: 0
		087	Green R: 0 G: 255 B: 0 W: 0
		088 ⇔ 124	R: + G: 255 B: 0 W: 0
		125	Yellow R: 255 G: 255 B: 0 W: 0
		126 ⇔ 162	R: 255 G: - B: 0 W: 0
		163	Red R: 255 G: 0 B: 0 W: 0
		164 ⇔ 200	R: 255 G: 0 B: + W: 0
		201	Magenta R: 255 G: 0 B: 255 W: 0
		202 ⇔ 238	R: - G: 0 B: 255 W: 0
		239	Blue R: 0 G: 0 B: 255 W: 0
240 ⇔ 247	Color change, fast to slow		
248 ⇔ 255	Color jump, fast to slow		
16	Background Color Dimmer	000 ⇔ 255	0-100%
17	Background Red	000 ⇔ 255	0-100%
18	Background Green	000 ⇔ 255	0-100%
19	Background Blue	000 ⇔ 255	0-100%
20	Background White	000 ⇔ 255	0-100%
21	Zoom	000 ⇔ 255	0-100%

Channel	Function	Value	Percent/Setting
22	Control	000 ⇔ 009	No function
		010 ⇔ 014	Pan/Tilt blackout
		015 ⇔ 019	No function
		020 ⇔ 024	RGBW color mixing (5 sec.)
		025 ⇔ 029	CMY color mixing (5 sec.)
		030 ⇔ 034	No function
		035 ⇔ 039	No function
		040 ⇔ 044	No function
		045 ⇔ 049	No function
		050 ⇔ 054	Pan reset
		055 ⇔ 059	Tilt reset
		060 ⇔ 064	Zoom reset
		065 ⇔ 069	No function
		070 ⇔ 074	All reset
		075 ⇔ 079	No function
		080 ⇔ 084	Pan/Tilt reverse
		085 ⇔ 089	Pan reverse
		090 ⇔ 094	Tilt reverse
		095 ⇔ 099	Cancel pan reverse
		100 ⇔ 104	Cancel tilt reverse
		105 ⇔ 109	Cancel pan/tilt reverse
		110 ⇔ 114	No function
		115 ⇔ 119	No function
		120 ⇔ 124	Fan low speed
		125 ⇔ 129	Fan full speed
		130 ⇔ 134	Fan auto
		135 ⇔ 139	Dimmer Fast mode
140 ⇔ 144	Dimmer Smooth mode		
145 ⇔ 149	Linear curve		
150 ⇔ 154	Square curve		
155 ⇔ 159	I Squa curve		
160 ⇔ 164	Scurve		
165 ⇔ 169	White mode on		
170 ⇔ 174	White mode off		
175 ⇔ 255	No function		
23	Red (Cyan)	000 ⇔ 255	0-100%
24	Green (Magenta)	000 ⇔ 255	0-100%
25	Blue (Yellow)	000 ⇔ 255	0-100%
26	White	000 ⇔ 255	0-100%
27	Dimmer 1	000 ⇔ 255	0-100%
28	Red 1 (Cyan)	000 ⇔ 255	0-100%
29	Green 1 (Magenta)	000 ⇔ 255	0-100%
30	Blue 1 (Yellow)	000 ⇔ 255	0-100%
31	White 1	000 ⇔ 255	0-100%
32	Dimmer 2	000 ⇔ 255	0-100%
33	Red 2 (Cyan)	000 ⇔ 255	0-100%
34	Green 2 (Magenta)	000 ⇔ 255	0-100%
35	Blue 2 (Yellow)	000 ⇔ 255	0-100%
36	White 2	000 ⇔ 255	0-100%
37	Dimmer 3	000 ⇔ 255	0-100%
38	Red 3 (Cyan)	000 ⇔ 255	0-100%
39	Green 3 (Magenta)	000 ⇔ 255	0-100%
40	Blue 3 (Yellow)	000 ⇔ 255	0-100%
41	White 3	000 ⇔ 255	0-100%
42	Dimmer 4	000 ⇔ 255	0-100%
43	Red 4 (Cyan)	000 ⇔ 255	0-100%
44	Green 4 (Magenta)	000 ⇔ 255	0-100%
45	Blue 4 (Yellow)	000 ⇔ 255	0-100%
46	White 4	000 ⇔ 255	0-100%

## QUICK REFERENCE GUIDE



EN

Channel	Function	Value	Percent/Setting
47	Dimmer 5	000 ⇔ 255	0-100%
48	Red 5 (Cyan)	000 ⇔ 255	0-100%
49	Green 5 (Magenta)	000 ⇔ 255	0-100%
50	Blue 5 (Yellow)	000 ⇔ 255	0-100%
51	White 5	000 ⇔ 255	0-100%
52	Dimmer 6	000 ⇔ 255	0-100%
53	Red 6 (Cyan)	000 ⇔ 255	0-100%
54	Green 6 (Magenta)	000 ⇔ 255	0-100%
55	Blue 6 (Yellow)	000 ⇔ 255	0-100%
56	White 6	000 ⇔ 255	0-100%
57	Dimmer 7	000 ⇔ 255	0-100%
58	Red 7 (Cyan)	000 ⇔ 255	0-100%
59	Green 7 (Magenta)	000 ⇔ 255	0-100%
60	Blue 7 (Yellow)	000 ⇔ 255	0-100%
61	White 7	000 ⇔ 255	0-100%
62	Dimmer 8	000 ⇔ 255	0-100%
63	Red 8 (Cyan)	000 ⇔ 255	0-100%
64	Green 8 (Magenta)	000 ⇔ 255	0-100%
65	Blue 8 (Yellow)	000 ⇔ 255	0-100%
66	White 8	000 ⇔ 255	0-100%
67	Dimmer 9	000 ⇔ 255	0-100%
68	Red 9 (Cyan)	000 ⇔ 255	0-100%
69	Green 9 (Magenta)	000 ⇔ 255	0-100%
70	Blue 9 (Yellow)	000 ⇔ 255	0-100%
71	White 9	000 ⇔ 255	0-100%

### 62CH

Channel	Function	Value	Percent/Setting
1	Pan	000 ⇔ 255	0-100%
2	Fine Pan	000 ⇔ 255	Fine control (16-bit)
3	Tilt	000 ⇔ 255	0-100%
4	Fine Tilt	000 ⇔ 255	Fine control (16-bit)
5	Pan/Tilt Speed	000 ⇔ 255	0-100%
6	Dimmer	000 ⇔ 255	0-100%
7	Fine Dimmer	000 ⇔ 255	Fine control (16-bit)

Channel	Function	Value	Percent/Setting
8	Shutter	000 ⇔ 019	off
		020 ⇔ 024	on
		025 ⇔ 064	strobe 1 with decreasing speed
		065 ⇔ 069	on
		070 ⇔ 084	strobe 2 (fast on slow off) with decreasing speed
		085 ⇔ 089	on
		090 ⇔ 104	strobe 3 (slow on fast off) with decreasing speed
		105 ⇔ 109	on
		110 ⇔ 124	strobe 4 (random strobe) with decreasing speed
		125 ⇔ 129	on
		130 ⇔ 144	strobe 5 (random fast on slow off) with decreasing speed
		145 ⇔ 149	on
		150 ⇔ 164	strobe 6 (random slow on fast off) with decreasing speed
		165 ⇔ 169	on
		170 ⇔ 184	strobe 7 (pulse strobe) with decreasing speed
		185 ⇔ 189	on
		190 ⇔ 204	strobe 8 (random pulse strobe) with decreasing speed
		205 ⇔ 209	on
210 ⇔ 224	strobe 9 (fade on or off) with decreasing speed		
225 ⇔ 229	on		
230 ⇔ 244	strobe 10 (pulse strobe) with decreasing speed		
245 ⇔ 255	on		
9	CTC	000	No function
		001 ⇔ 255	2800 to 10,000K
10	Color	000	No function
		001 ⇔ 002	2700K R:156 G: 118 B: 0 W: 63
		003 ⇔ 004	3200K R:156 G: 141 B: 5 W: 89
		005 ⇔ 006	4200K R:156 G: 141 B: 14 W: 255
		007 ⇔ 008	5600K R:156 G: 207 B: 54 W: 255
		009 ⇔ 010	8000K R:130 G: 255 B: 96 W: 255
		11	Blue R: 0 G: 0 B: 255 W: 0
		012 ⇔ 048	R: 0 G: + B: 255 W: 0
		049	Cyan R: 0 G: 255 B: 255 W: 0
		050 ⇔ 086	R: 0 G: 255 B: - W: 0
		087	Green R: 0 G: 255 B: 0 W: 0
		088 ⇔ 124	R: + G: 255 B: 0 W: 0
		125	Yellow R: 255 G: 255 B: 0 W: 0
		126 ⇔ 162	R: 255 G: - B: 0 W: 0
		163	Red R: 255 G: 0 B: 0 W: 0
		164 ⇔ 200	R: 255 G: 0 B: + W: 0
		201	Magenta R: 255 G: 0 B: 255 W: 0
		202 ⇔ 238	R: - G: 0 B: 255 W: 0
239	Blue R: 0 G: 0 B: 255 W: 0		
240 ⇔ 247	Color change, fast to slow		
248 ⇔ 255	Color jump, fast to slow		

# QUICK REFERENCE GUIDE



EN

Channel	Function	Value	Percent/Setting
11	Gobo	000 ⇔ 003	No function
		004 ⇔ 006	Gobo 1
		007 ⇔ 009	Gobo 2
		010 ⇔ 012	Gobo 3
		013 ⇔ 015	Gobo 4
		016 ⇔ 018	Gobo 5
		019 ⇔ 021	Gobo 6
		022 ⇔ 024	Gobo 7
		025 ⇔ 027	Gobo 8
		028 ⇔ 030	Gobo 9
		031 ⇔ 033	No Gobo
		034 ⇔ 036	Gobo 10
		037 ⇔ 039	Gobo 11
		040 ⇔ 042	Gobo 12
		043 ⇔ 045	Gobo 13
		046 ⇔ 048	Gobo 14
		049 ⇔ 051	Gobo 15
		052 ⇔ 054	Gobo 16
		055 ⇔ 057	Gobo 17
		058 ⇔ 060	Gobo 18
		061 ⇔ 063	Gobo 19
		064 ⇔ 066	Gobo 20
		067 ⇔ 069	Gobo 21
		070 ⇔ 072	Gobo 22
		073 ⇔ 075	Gobo 23
		076 ⇔ 078	Gobo 24
		079 ⇔ 081	Gobo 25
		082 ⇔ 084	Gobo 26
		085 ⇔ 087	Gobo 27
		088 ⇔ 090	Gobo 28
		091 ⇔ 093	Gobo 29
		094 ⇔ 096	Gobo 30
		097 ⇔ 099	Gobo 31
		100 ⇔ 102	Gobo 32
		103 ⇔ 105	Gobo 33
		106 ⇔ 108	Gobo 34
		109 ⇔ 111	Gobo 35
		112 ⇔ 114	Gobo 36
		115 ⇔ 117	Gobo 37
118 ⇔ 120	Gobo 38		
121 ⇔ 123	Gobo 39		



Channel	Function	Value	Percent/Setting
11 (cont.)	Gobo (cont.)	124 ⇄ 126	Gobo 40
		127 ⇄ 129	Gobo 41
		130 ⇄ 132	Gobo 42
		133 ⇄ 135	Gobo 43
		136 ⇄ 138	Gobo 44
		139 ⇄ 141	Gobo 45
		142 ⇄ 144	Gobo 46
		145 ⇄ 147	Gobo 47
		148 ⇄ 150	Gobo 48
		151 ⇄ 153	Gobo 49
		154 ⇄ 156	Gobo 50
		157 ⇄ 159	Gobo 51
		160 ⇄ 162	Gobo 52
		163 ⇄ 165	Gobo 53
		166 ⇄ 168	Gobo 54
		169 ⇄ 171	Gobo 55
		172 ⇄ 174	Gobo 56
		175 ⇄ 177	Gobo 57
		178 ⇄ 180	Gobo 58
		181 ⇄ 183	Gobo 59
		184 ⇄ 186	Gobo 60
		187 ⇄ 189	Gobo 61
		190 ⇄ 192	Gobo 62
		193 ⇄ 195	Gobo 63
		196 ⇄ 198	Gobo 64
		199 ⇄ 201	Gobo 65
		202 ⇄ 204	Gobo 66
		205 ⇄ 207	Gobo 67
		208 ⇄ 210	Gobo 68
		211 ⇄ 213	Gobo 69
		214 ⇄ 216	Gobo 70
		217 ⇄ 219	Gobo 71
		220 ⇄ 222	Gobo 72
		223 ⇄ 225	Gobo 73
226 ⇄ 228	Gobo 74		
229 ⇄ 231	Gobo 75		
232 ⇄ 234	Gobo 76		
235 ⇄ 237	Gobo 77		
238 ⇄ 240	Gobo 78		
241 ⇄ 243	Gobo 79		
244 ⇄ 246	Gobo 80		
247 ⇄ 249	Gobo 81		
250 ⇄ 252	Gobo 82		
253 ⇄ 255	Gobo 83		
12	LED Built-in	000 ⇄ 015	No function
		016 ⇄ 017	Built-in 1
		018 ⇄ 019	Built-in 2
		020 ⇄ 021	Built-in 3
		022 ⇄ 023	Built-in 4
		024 ⇄ 025	Built-in 5
		026 ⇄ 027	Built-in 6
		028 ⇄ 029	Built-in 7
		030 ⇄ 031	Built-in 8
		032 ⇄ 033	Built-in 9
		034 ⇄ 035	Built-in 10
		036 ⇄ 037	Built-in 11
		038 ⇄ 039	Built-in 12
		040 ⇄ 041	Built-in 13
		042 ⇄ 043	Built-in 14
		044 ⇄ 045	Built-in 15
		046 ⇄ 047	Built-in 16
		048 ⇄ 049	Built-in 17
		050 ⇄ 051	Built-in 18
		052 ⇄ 053	Built-in 19
054 ⇄ 055	Built-in 20		

QUICK REFERENCE GUIDE



EN

Channel	Function	Value	Percent/Setting
12 (cont.)	LED Built-in (cont.)	056 ⇄ 057	Built-in 21
		058 ⇄ 059	Built-in 22
		060 ⇄ 061	Built-in 23
		062 ⇄ 063	Built-in 24
		064 ⇄ 065	Built-in 25
		066 ⇄ 067	Built-in 26
		068 ⇄ 069	Built-in 27
		070 ⇄ 071	Built-in 28
		072 ⇄ 073	Built-in 29
		074 ⇄ 075	Built-in 30
		076 ⇄ 077	Built-in 31
		078 ⇄ 079	Built-in 32
		080 ⇄ 081	Built-in 33
		082 ⇄ 083	Built-in 34
		084 ⇄ 085	Built-in 35
		086 ⇄ 087	Built-in 36
		088 ⇄ 089	Built-in 37
		090 ⇄ 091	Built-in 38
		092 ⇄ 093	Built-in 39
		094 ⇄ 095	Built-in 40
		096 ⇄ 097	Built-in 41
		098 ⇄ 099	Built-in 42
		100 ⇄ 101	Built-in 43
		102 ⇄ 103	Built-in 44
		104 ⇄ 105	Built-in 45
		106 ⇄ 107	Built-in 46
		108 ⇄ 109	Built-in 47
		110 ⇄ 111	Built-in 48
		112 ⇄ 113	Built-in 49
		114 ⇄ 115	Built-in 50
		116 ⇄ 117	Built-in 51
		118 ⇄ 119	Built-in 52
		120 ⇄ 121	Built-in 53
		122 ⇄ 123	Built-in 54
124 ⇄ 125	Built-in 55		
126 ⇄ 127	Built-in 56		
128 ⇄ 135	Built-in 57		
136 ⇄ 137	Built-in 58		
138 ⇄ 139	Built-in 59		
140 ⇄ 141	Built-in 60		
142 ⇄ 143	Built-in 61		
144 ⇄ 145	Built-in 62		
146 ⇄ 147	Built-in 63		
148 ⇄ 149	Built-in 64		
150 ⇄ 151	Built-in 65		
152 ⇄ 153	Built-in 66		
154 ⇄ 155	Built-in 67		
156 ⇄ 157	Built-in 68		
158 ⇄ 159	Built-in 69		
160 ⇄ 161	Built-in 70		
162 ⇄ 163	Built-in 71		
164 ⇄ 165	Built-in 72		
166 ⇄ 167	Built-in 73		
168 ⇄ 169	Built-in 74		
170 ⇄ 171	Built-in 75		
172 ⇄ 173	Built-in 76		
174 ⇄ 175	Built-in 77		
176 ⇄ 177	Built-in 78		
178 ⇄ 179	Built-in 79		
180 ⇄ 181	Built-in 80		
182 ⇄ 183	Built-in 81		
184 ⇄ 185	Built-in 82		
186 ⇄ 187	Built-in 83		
188 ⇄ 189	Built-in 84		
190 ⇄ 191	Built-in 85		

Channel	Function	Value	Percent/Setting
<b>12</b> <b>(cont.)</b>	<b>LED Built-in</b> <b>(cont.)</b>	192 ⇔ 193	Built-in 86
		194 ⇔ 195	Built-in 87
		196 ⇔ 197	Built-in 88
		198 ⇔ 199	Built-in 89
		200 ⇔ 201	Built-in 90
		202 ⇔ 203	Built-in 91
		204 ⇔ 205	Built-in 92
		206 ⇔ 207	Built-in 93
		208 ⇔ 209	Built-in 94
		210 ⇔ 211	Built-in 95
		212 ⇔ 213	Built-in 96
		214 ⇔ 215	Built-in 97
		216 ⇔ 217	Built-in 98
		218 ⇔ 219	Built-in 99
		220 ⇔ 221	Built-in 100
		222 ⇔ 223	Built-in 101
		224 ⇔ 225	Built-in 102
		226 ⇔ 227	Built-in 103
		228 ⇔ 229	Built-in 104
		230 ⇔ 231	Built-in 105
		232 ⇔ 233	Built-in 106
		234 ⇔ 235	Built-in 107
		236 ⇔ 237	Built-in 108
		238 ⇔ 239	Built-in 109
240 ⇔ 241	Built-in 110		
242 ⇔ 243	Built-in 111		
244 ⇔ 245	Built-in 112		
246 ⇔ 247	Built-in 113		
248 ⇔ 255	Built-in 114		
<b>13</b>	<b>LED Built-in Speed</b>	000 ⇔ 127 128 129 ⇔ 255	Clockwise fast to slow Stop Counter-clockwise slow to fast
<b>14</b>	<b>LED Built-in Delay</b>	000 ⇔ 255	Fast to slow
<b>15</b>	<b>Background Color</b> <b>Macros</b>	000	No function
		001 ⇔ 002	2700K R:156 G: 118 B: 0 W: 63
		003 ⇔ 004	3200K R:156 G: 141 B: 5 W: 89
		005 ⇔ 006	4200K R:156 G: 141 B: 14 W: 255
		007 ⇔ 008	5600K R:156 G: 207 B: 54 W: 255
		009 ⇔ 010	8000K R:130 G: 255 B: 96 W: 255
		11	Blue R: 0 G: 0 B: 255 W: 0
		012 ⇔ 048	R: 0 G: + B: 255 W: 0
		049	Cyan R: 0 G: 255 B: 255 W: 0
		050 ⇔ 086	R: 0 G: 255 B: - W: 0
		087	Green R: 0 G: 255 B: 0 W: 0
		088 ⇔ 124	R: + G: 255 B: 0 W: 0
		125	Yellow R: 255 G: 255 B: 0 W: 0
		126 ⇔ 162	R: 255 G: - B: 0 W: 0
		163	Red R: 255 G: 0 B: 0 W: 0
		164 ⇔ 200	R: 255 G: 0 B: + W: 0
		201	Magenta R: 255 G: 0 B: 255 W: 0
202 ⇔ 238	R: - G: 0 B: 255 W: 0		
239	Blue R: 0 G: 0 B: 255 W: 0		
240 ⇔ 247	Color change, fast to slow		
248 ⇔ 255	Color jump, fast to slow		
<b>16</b>	<b>Background Color Dimmer</b>	000 ⇔ 255	0-100%
<b>17</b>	<b>Background Red</b>	000 ⇔ 255	0-100%
<b>18</b>	<b>Background Green</b>	000 ⇔ 255	0-100%
<b>19</b>	<b>Background Blue</b>	000 ⇔ 255	0-100%
<b>20</b>	<b>Background White</b>	000 ⇔ 255	0-100%
<b>21</b>	<b>Zoom</b>	000 ⇔ 255	0-100%

## QUICK REFERENCE GUIDE



EN

Channel	Function	Value	Percent/Setting
22	Control	000 ⇔ 009	No function
		010 ⇔ 014	Pan/Tilt blackout
		015 ⇔ 019	No function
		020 ⇔ 024	RGBW color mixing (5 sec.)
		025 ⇔ 029	CMY color mixing (5 sec.)
		030 ⇔ 034	No function
		035 ⇔ 039	No function
		040 ⇔ 044	No function
		045 ⇔ 049	No function
		050 ⇔ 054	Pan reset
		055 ⇔ 059	Tilt reset
		060 ⇔ 064	Zoom reset
		065 ⇔ 069	No function
		070 ⇔ 074	All reset
		075 ⇔ 079	No function
		080 ⇔ 084	Pan/Tilt reverse
		085 ⇔ 089	Pan reverse
		090 ⇔ 094	Tilt reverse
		095 ⇔ 099	Cancel pan reverse
		100 ⇔ 104	Cancel tilt reverse
		105 ⇔ 109	Cancel pan/tilt reverse
		110 ⇔ 114	No function
		115 ⇔ 119	No function
		120 ⇔ 124	Fan low speed
		125 ⇔ 129	Fan full speed
		130 ⇔ 134	Fan auto
		135 ⇔ 139	Dimmer Fast mode
		140 ⇔ 144	Dimmer Smooth mode
145 ⇔ 149	Linear curve		
150 ⇔ 154	Square curve		
155 ⇔ 159	I Squa curve		
160 ⇔ 164	Scurve		
165 ⇔ 169	White mode on		
170 ⇔ 174	White mode off		
175 ⇔ 255	No function		
23	Red (Cyan)	000 ⇔ 255	0-100%
24	Green (Magenta)	000 ⇔ 255	0-100%
25	Blue (Yellow)	000 ⇔ 255	0-100%
26	White	000 ⇔ 255	0-100%
27	Red 1 (Cyan)	000 ⇔ 255	0-100%
28	Green 1 (Magenta)	000 ⇔ 255	0-100%
29	Blue 1 (Yellow)	000 ⇔ 255	0-100%
30	White 1	000 ⇔ 255	0-100%
31	Red 2 (Cyan)	000 ⇔ 255	0-100%
32	Green 2 (Magenta)	000 ⇔ 255	0-100%
33	Blue 2 (Yellow)	000 ⇔ 255	0-100%
34	White 2	000 ⇔ 255	0-100%
35	Red 3 (Cyan)	000 ⇔ 255	0-100%
36	Green 3 (Magenta)	000 ⇔ 255	0-100%
37	Blue 3 (Yellow)	000 ⇔ 255	0-100%
38	White 3	000 ⇔ 255	0-100%
39	Red 4 (Cyan)	000 ⇔ 255	0-100%
40	Green 4 (Magenta)	000 ⇔ 255	0-100%
41	Blue 4 (Yellow)	000 ⇔ 255	0-100%
42	White 4	000 ⇔ 255	0-100%
43	Red 5 (Cyan)	000 ⇔ 255	0-100%
44	Green 5 (Magenta)	000 ⇔ 255	0-100%
45	Blue 5 (Yellow)	000 ⇔ 255	0-100%
46	White 5	000 ⇔ 255	0-100%

Channel	Function	Value	Percent/Setting
47	Red 6 (Cyan)	000 ⇔ 255	0-100%
48	Green 6 (Magenta)	000 ⇔ 255	0-100%
49	Blue 6 (Yellow)	000 ⇔ 255	0-100%
50	White 6	000 ⇔ 255	0-100%
51	Red 7 (Cyan)	000 ⇔ 255	0-100%
52	Green 7 (Magenta)	000 ⇔ 255	0-100%
53	Blue 7 (Yellow)	000 ⇔ 255	0-100%
54	White 7	000 ⇔ 255	0-100%
55	Red 8 (Cyan)	000 ⇔ 255	0-100%
56	Green 8 (Magenta)	000 ⇔ 255	0-100%
57	Blue 8 (Yellow)	000 ⇔ 255	0-100%
58	White 8	000 ⇔ 255	0-100%
59	Red 9 (Cyan)	000 ⇔ 255	0-100%
60	Green 9 (Magenta)	000 ⇔ 255	0-100%
61	Blue 9 (Yellow)	000 ⇔ 255	0-100%
62	White 9	000 ⇔ 255	0-100%

21CH

Channel	Function	Value	Percent/Setting
1	Pan	000 ⇔ 255	0-100%
2	Fine Pan	000 ⇔ 255	Fine control (16-bit)
3	Tilt	000 ⇔ 255	0-100%
4	Fine Tilt	000 ⇔ 255	Fine control (16-bit)
5	Pan/Tilt Speed	000 ⇔ 255	0-100%
6	Dimmer	000 ⇔ 255	0-100%
7	Shutter	000 ⇔ 019	off
		020 ⇔ 024	on
		025 ⇔ 064	strobe 1 with decreasing speed
		065 ⇔ 069	on
		070 ⇔ 084	strobe 2 (fast on slow off) with decreasing speed
		085 ⇔ 089	on
		090 ⇔ 104	strobe 3 (slow on fast off) with decreasing speed
		105 ⇔ 109	on
		110 ⇔ 124	strobe 4 (random strobe) with decreasing speed
		125 ⇔ 129	on
		130 ⇔ 144	strobe 5 (random fast on slow off) with decreasing speed
		145 ⇔ 149	on
		150 ⇔ 164	strobe 6 (random slow on fast off) with decreasing speed
		165 ⇔ 169	on
		170 ⇔ 184	strobe 7 (pulse strobe) with decreasing speed
185 ⇔ 189	on		
190 ⇔ 204	strobe 8 (random pulse strobe) with decreasing speed		
205 ⇔ 209	on		
210 ⇔ 224	strobe 9 (fade on or off) with decreasing speed		
225 ⇔ 229	on		
230 ⇔ 244	strobe 10 (pulse strobe) with decreasing speed		
245 ⇔ 255	on		
8	CTC	000	No function
		001 ⇔ 255	2800 to 10,000K

# QUICK REFERENCE GUIDE



EN

Channel	Function	Value	Percent/Setting				
<b>9</b>	<b>Color</b>	000	No function				
		001 ⇌ 002	2700K	R:156	G: 118	B: 0	W: 63
		003 ⇌ 004	3200K	R:156	G: 141	B: 5	W: 89
		005 ⇌ 006	4200K	R:156	G: 141	B: 14	W: 255
		007 ⇌ 008	5600K	R:156	G: 207	B: 54	W: 255
		009 ⇌ 010	8000K	R:130	G: 255	B: 96	W: 255
		11	Blue	R: 0	G: 0	B: 255	W: 0
		012 ⇌ 048		R: 0	G: +	B: 255	W: 0
		049	Cyan	R: 0	G: 255	B: 255	W: 0
		050 ⇌ 086		R: 0	G: 255	B: -	W: 0
		087	Green	R: 0	G: 255	B: 0	W: 0
		088 ⇌ 124		R: +	G: 255	B: 0	W: 0
		125	Yellow	R: 255	G: 255	B: 0	W: 0
		126 ⇌ 162		R: 255	G: -	B: 0	W: 0
		163	Red	R: 255	G: 0	B: 0	W: 0
		164 ⇌ 200		R: 255	G: 0	B: +	W: 0
		201	Magenta	R: 255	G: 0	B: 255	W: 0
		202 ⇌ 238		R: -	G: 0	B: 255	W: 0
		239	Blue	R: 0	G: 0	B: 255	W: 0
		240 ⇌ 247	Color change, fast to slow				
248 ⇌ 255	Color jump, fast to slow						
<b>10</b>	<b>Gobo</b>	000 ⇌ 003	No function				
		004 ⇌ 006	Gobo 1				
		007 ⇌ 009	Gobo 2				
		010 ⇌ 012	Gobo 3				
		013 ⇌ 015	Gobo 4				
		016 ⇌ 018	Gobo 5				
		019 ⇌ 021	Gobo 6				
		022 ⇌ 024	Gobo 7				
		025 ⇌ 027	Gobo 8				
		028 ⇌ 030	Gobo 9				
		031 ⇌ 033	No Gobo				
		034 ⇌ 036	Gobo 10				
		037 ⇌ 039	Gobo 11				
		040 ⇌ 042	Gobo 12				
		043 ⇌ 045	Gobo 13				
		046 ⇌ 048	Gobo 14				
		049 ⇌ 051	Gobo 15				
		052 ⇌ 054	Gobo 16				
		055 ⇌ 057	Gobo 17				
		058 ⇌ 060	Gobo 18				
		061 ⇌ 063	Gobo 19				
		064 ⇌ 066	Gobo 20				
		067 ⇌ 069	Gobo 21				
		070 ⇌ 072	Gobo 22				
		073 ⇌ 075	Gobo 23				
		076 ⇌ 078	Gobo 24				
		079 ⇌ 081	Gobo 25				
		082 ⇌ 084	Gobo 26				
		085 ⇌ 087	Gobo 27				
		088 ⇌ 090	Gobo 28				
		091 ⇌ 093	Gobo 29				
		094 ⇌ 096	Gobo 30				
		097 ⇌ 099	Gobo 31				
		100 ⇌ 102	Gobo 32				
		103 ⇌ 105	Gobo 33				
		106 ⇌ 108	Gobo 34				
		109 ⇌ 111	Gobo 35				
		112 ⇌ 114	Gobo 36				
		115 ⇌ 117	Gobo 37				
118 ⇌ 120	Gobo 38						
121 ⇌ 123	Gobo 39						



Channel	Function	Value	Percent/Setting
10 (cont.)	Gobo (cont.)	124 ⇄ 126	Gobo 40
		127 ⇄ 129	Gobo 41
		130 ⇄ 132	Gobo 42
		133 ⇄ 135	Gobo 43
		136 ⇄ 138	Gobo 44
		139 ⇄ 141	Gobo 45
		142 ⇄ 144	Gobo 46
		145 ⇄ 147	Gobo 47
		148 ⇄ 150	Gobo 48
		151 ⇄ 153	Gobo 49
		154 ⇄ 156	Gobo 50
		157 ⇄ 159	Gobo 51
		160 ⇄ 162	Gobo 52
		163 ⇄ 165	Gobo 53
		166 ⇄ 168	Gobo 54
		169 ⇄ 171	Gobo 55
		172 ⇄ 174	Gobo 56
		175 ⇄ 177	Gobo 57
		178 ⇄ 180	Gobo 58
		181 ⇄ 183	Gobo 59
		184 ⇄ 186	Gobo 60
		187 ⇄ 189	Gobo 61
		190 ⇄ 192	Gobo 62
		193 ⇄ 195	Gobo 63
		196 ⇄ 198	Gobo 64
		199 ⇄ 201	Gobo 65
		202 ⇄ 204	Gobo 66
		205 ⇄ 207	Gobo 67
		208 ⇄ 210	Gobo 68
		211 ⇄ 213	Gobo 69
		214 ⇄ 216	Gobo 70
		217 ⇄ 219	Gobo 71
		220 ⇄ 222	Gobo 72
		223 ⇄ 225	Gobo 73
		226 ⇄ 228	Gobo 74
		229 ⇄ 231	Gobo 75
		232 ⇄ 234	Gobo 76
		235 ⇄ 237	Gobo 77
238 ⇄ 240	Gobo 78		
241 ⇄ 243	Gobo 79		
244 ⇄ 246	Gobo 80		
247 ⇄ 249	Gobo 81		
250 ⇄ 252	Gobo 82		
253 ⇄ 255	Gobo 83		
11	LED Built-in	001 ⇄ 015	No function
		016 ⇄ 017	Built-in 1
		018 ⇄ 019	Built-in 2
		020 ⇄ 021	Built-in 3
		022 ⇄ 023	Built-in 4
		024 ⇄ 025	Built-in 5
		026 ⇄ 027	Built-in 6
		028 ⇄ 029	Built-in 7
		030 ⇄ 031	Built-in 8
		032 ⇄ 033	Built-in 9
		034 ⇄ 035	Built-in 10
		036 ⇄ 037	Built-in 11
		038 ⇄ 039	Built-in 12
		040 ⇄ 041	Built-in 13
		042 ⇄ 043	Built-in 14
		044 ⇄ 045	Built-in 15
		046 ⇄ 047	Built-in 16
		048 ⇄ 049	Built-in 17
		050 ⇄ 051	Built-in 18
		052 ⇄ 053	Built-in 19
054 ⇄ 055	Built-in 20		

# QUICK REFERENCE GUIDE



EN

Channel	Function	Value	Percent/Setting
<b>11 (cont.)</b>	<b>LED Built-in (cont.)</b>	056 ⇄ 057	Built-in 21
		058 ⇄ 059	Built-in 22
		060 ⇄ 061	Built-in 23
		062 ⇄ 063	Built-in 24
		064 ⇄ 065	Built-in 25
		066 ⇄ 067	Built-in 26
		068 ⇄ 069	Built-in 27
		070 ⇄ 071	Built-in 28
		072 ⇄ 073	Built-in 29
		074 ⇄ 075	Built-in 30
		076 ⇄ 077	Built-in 31
		078 ⇄ 079	Built-in 32
		080 ⇄ 081	Built-in 33
		082 ⇄ 083	Built-in 34
		084 ⇄ 085	Built-in 35
		086 ⇄ 087	Built-in 36
		088 ⇄ 089	Built-in 37
		090 ⇄ 091	Built-in 38
		092 ⇄ 093	Built-in 39
		094 ⇄ 095	Built-in 40
		096 ⇄ 097	Built-in 41
		098 ⇄ 099	Built-in 42
		100 ⇄ 101	Built-in 43
		102 ⇄ 103	Built-in 44
		104 ⇄ 105	Built-in 45
		106 ⇄ 107	Built-in 46
		108 ⇄ 109	Built-in 47
		110 ⇄ 111	Built-in 48
		112 ⇄ 113	Built-in 49
		114 ⇄ 115	Built-in 50
		116 ⇄ 117	Built-in 51
		118 ⇄ 119	Built-in 52
		120 ⇄ 121	Built-in 53
		122 ⇄ 123	Built-in 54
		124 ⇄ 125	Built-in 55
		126 ⇄ 127	Built-in 56
		128 ⇄ 135	Built-in 57
		136 ⇄ 137	Built-in 58
		138 ⇄ 139	Built-in 59
		140 ⇄ 141	Built-in 60
142 ⇄ 143	Built-in 61		
144 ⇄ 145	Built-in 62		
146 ⇄ 147	Built-in 63		
148 ⇄ 149	Built-in 64		
150 ⇄ 151	Built-in 65		
152 ⇄ 153	Built-in 66		
154 ⇄ 155	Built-in 67		
156 ⇄ 157	Built-in 68		
158 ⇄ 159	Built-in 69		
160 ⇄ 161	Built-in 70		
162 ⇄ 163	Built-in 71		
164 ⇄ 165	Built-in 72		
166 ⇄ 167	Built-in 73		
168 ⇄ 169	Built-in 74		
170 ⇄ 171	Built-in 75		
172 ⇄ 173	Built-in 76		
174 ⇄ 175	Built-in 77		
176 ⇄ 177	Built-in 78		
178 ⇄ 179	Built-in 79		
180 ⇄ 181	Built-in 80		
182 ⇄ 183	Built-in 81		
184 ⇄ 185	Built-in 82		
186 ⇄ 187	Built-in 83		
188 ⇄ 189	Built-in 84		
190 ⇄ 191	Built-in 85		

Channel	Function	Value	Percent/Setting
<b>11</b> <b>(cont.)</b>	<b>LED Built-in</b> <b>(cont.)</b>	192 ⇔ 193	Built-in 86
		194 ⇔ 195	Built-in 87
		196 ⇔ 197	Built-in 88
		198 ⇔ 199	Built-in 89
		200 ⇔ 201	Built-in 90
		202 ⇔ 203	Built-in 91
		204 ⇔ 205	Built-in 92
		206 ⇔ 207	Built-in 93
		208 ⇔ 209	Built-in 94
		210 ⇔ 211	Built-in 95
		212 ⇔ 213	Built-in 96
		214 ⇔ 215	Built-in 97
		216 ⇔ 217	Built-in 98
		218 ⇔ 219	Built-in 99
		220 ⇔ 221	Built-in 100
		222 ⇔ 223	Built-in 101
		224 ⇔ 225	Built-in 102
		226 ⇔ 227	Built-in 103
		228 ⇔ 229	Built-in 104
		230 ⇔ 231	Built-in 105
		232 ⇔ 233	Built-in 106
		234 ⇔ 235	Built-in 107
		236 ⇔ 237	Built-in 108
		238 ⇔ 239	Built-in 109
240 ⇔ 241	Built-in 110		
242 ⇔ 243	Built-in 111		
244 ⇔ 245	Built-in 112		
246 ⇔ 247	Built-in 113		
248 ⇔ 255	Built-in 114		
<b>12</b>	<b>LED Built-in Speed</b>	001 ⇔ 127 128 128 ⇔ 255	Clockwise fast to slow Stop Counter-clockwise slow to fast
<b>13</b>	<b>LED Built-in Delay</b>	000 ⇔ 255	Fast to slow
<b>14</b>	<b>Background Color</b> <b>Macros</b>	000	No function
		001 ⇔ 002	2700K R:156 G: 118 B: 0 W: 63
		003 ⇔ 004	3200K R:156 G: 141 B: 5 W: 89
		005 ⇔ 006	4200K R:156 G: 141 B: 14 W: 255
		007 ⇔ 008	5600K R:156 G: 207 B: 54 W: 255
		009 ⇔ 010	8000K R:130 G: 255 B: 96 W: 255
		11	Blue R: 0 G: 0 B: 255 W: 0
		012 ⇔ 048	R: 0 G: + B: 255 W: 0
		049	Cyan R: 0 G: 255 B: 255 W: 0
		050 ⇔ 086	R: 0 G: 255 B: - W: 0
		087	Green R: 0 G: 255 B: 0 W: 0
		088 ⇔ 124	R: + G: 255 B: 0 W: 0
		125	Yellow R: 255 G: 255 B: 0 W: 0
		126 ⇔ 162	R: 255 G: - B: 0 W: 0
		163	Red R: 255 G: 0 B: 0 W: 0
		164 ⇔ 200	R: 255 G: 0 B: + W: 0
		201	Magenta R: 255 G: 0 B: 255 W: 0
		202 ⇔ 238	R: - G: 0 B: 255 W: 0
		239	Blue R: 0 G: 0 B: 255 W: 0
		240 ⇔ 247	Color change, fast to slow
248 ⇔ 255	Color jump, fast to slow		
<b>15</b>	<b>Background Color</b> <b>Dimmer</b>	000 ⇔ 255	0-100%
<b>16</b>	<b>Zoom</b>	000 ⇔ 255	0-100%

## QUICK REFERENCE GUIDE



EN

Channel	Function	Value	Percent/Setting
<b>17</b>	<b>Control</b>	000 ⇔ 009	No function
		010 ⇔ 014	Pan/Tilt blackout
		015 ⇔ 019	No function
		020 ⇔ 024	RGBW color mixing (5 sec.)
		025 ⇔ 029	CMY color mixing (5 sec.)
		030 ⇔ 034	No function
		035 ⇔ 039	No function
		040 ⇔ 044	No function
		045 ⇔ 049	No function
		050 ⇔ 054	Pan reset
		055 ⇔ 059	Tilt reset
		060 ⇔ 064	Zoom reset
		065 ⇔ 069	No function
		070 ⇔ 074	All reset
		075 ⇔ 079	No function
		080 ⇔ 084	Pan/Tilt reverse
		085 ⇔ 089	Pan reverse
		090 ⇔ 094	Tilt reverse
		095 ⇔ 099	Cancel pan reverse
		100 ⇔ 104	Cancel tilt reverse
		105 ⇔ 109	Cancel pan/tilt reverse
		110 ⇔ 114	No function
		115 ⇔ 119	No function
		120 ⇔ 124	Fan low speed
		125 ⇔ 129	Fan full speed
		130 ⇔ 134	Fan auto
		135 ⇔ 139	Dimmer Fast mode
		140 ⇔ 144	Dimmer Smooth mode
145 ⇔ 149	Linear curve		
150 ⇔ 154	Square curve		
155 ⇔ 159	I Squa curve		
160 ⇔ 164	Scurve		
165 ⇔ 169	White mode on		
170 ⇔ 174	White mode off		
175 ⇔ 255	No function		
<b>18</b>	<b>Red (Cyan)</b>	000 ⇔ 255	0-100%
<b>19</b>	<b>Green (Magenta)</b>	000 ⇔ 255	0-100%
<b>20</b>	<b>Blue (Yellow)</b>	000 ⇔ 255	0-100%
<b>21</b>	<b>White</b>	000 ⇔ 255	0-100%

## Acerca de Esta Guía

La Guía de Referencia Rápida (GRR) del Rogue R3X Wash contiene información básica sobre el producto, como montaje, opciones de menú y valores DMX. Descargue el Manual de Usuario de [www.chauvetprofessional.com](http://www.chauvetprofessional.com) para información más detallada.

## Exención de Responsabilidad

La información y especificaciones contenidas en esta GRR están sujetas a cambio sin previo aviso.

## GARANTÍA LIMITADA

**PARA VER EL REGISTRO DE GARANTÍA Y LOS TÉRMINOS Y CONDICIONES COMPLETOS, VISITE NUESTRO SITIO WEB.**

**Para clientes en los Estados Unidos y México:** [www.chauvetlighting.com/warranty-registration](http://www.chauvetlighting.com/warranty-registration).

**Para clientes en Reino Unido, República de Irlanda, Bélgica, Países Bajos, Luxemburgo, Francia y Alemania:** [www.chauvetlighting.eu/warranty-registration](http://www.chauvetlighting.eu/warranty-registration).

Chauvet garantiza que este producto estará libre de defectos de material y mano de obra en condiciones de uso normales, durante el periodo especificado, sujeto siempre a las exclusiones y limitaciones establecidas en la garantía limitada completa de nuestro sitio web. Esta garantía se concede únicamente al comprador original del producto y no es transferible. Para ejercer los derechos que otorga esta garantía, usted debe proporcionar una prueba de compra en forma de un recibo de compra original, expedido por un distribuidor autorizado, donde figure el nombre del producto y la fecha de compra. **NO EXISTEN OTRAS GARANTÍAS EXPRESAS NI IMPLÍCITAS.** Esta garantía le otorga derechos legales específicos. Es posible que a usted le asistan otros derechos, que variarán dependiendo del estado o del país. Esta garantía solamente es válida en los Estados Unidos, Reino Unido, República de Irlanda, Bélgica, Países Bajos, Luxemburgo, Francia, Alemania y México. Para conocer los términos de garantía en otros países, consulte a su distribuidor local.

## Notas de Seguridad

- NO abra este producto. No contiene piezas reparables por el usuario.
- NO mire a la fuente de luz cuando el producto esté encendido.
- Para evitar un desgaste innecesario y alargar su vida útil, desconecte complemente el producto de la alimentación, mediante el interruptor o desenchufándolo, durante los periodos en los que no se use.
- CUIDADO: La carcasa de este producto está caliente cuando las luces están en funcionamiento.
- Monte este producto en una ubicación con ventilación adecuada, al menos a 20" (50 cm) de superficies adyacentes.
- NO deje ningún material inflamable a menos de 20 cm de este producto mientras esté funcionando o conectado a la alimentación.
- Cuidado: cuando transfiera el producto desde ambientes con temperatura extrema (p. ej., del remolque frío de un camión a una sala de baile con calor y humedad), puede formarse condensación en la electrónica interna del producto. Para evitar que se produzca una avería, deje que el producto se aclimate completamente al ambiente antes de conectar la alimentación.
- USE un cable de seguridad cuando monte este producto en lo alto.
- NO ponga en funcionamiento este producto en el exterior o en cualquier ubicación en la que el polvo, calor excesivo, agua o humedad puedan afectarlo. (IP20)
- NO ponga en funcionamiento este producto si sospecha que la carcasa, lentes o cables están dañados.
- NO conecte este producto a un atenuador o reostato.
- Conecte este producto SOLO a un circuito con toma de tierra y protegido.
- Use SOLAMENTE los soportes de colgar/montar para mover este producto.
- En caso de un problema grave de funcionamiento, deje de usarlo inmediatamente.
- La máxima temperatura ambiente es de 113 °F (45 °C). No haga funcionar este producto a temperaturas más altas.
- La luminaria debe colocarse de forma que no sea previsible que se mire fijamente hacia ella a una distancia menor de 7,7 m.
- Si se daña el cable externo flexible de esta luminaria, se sustituirá con un cable especial o con un cable disponible exclusivamente a través del fabricante o de su agente de servicio técnico.
- Solo el fabricante, su agente de servicio o un técnico de similar cualificación podrán reemplazar la fuente de luz contenida en esta luminaria.
- La luminaria está destinada exclusivamente a un uso profesional.

## Cumplimiento de la FCC

Este dispositivo cumple la parte 15, parte B de las normas FCC. El funcionamiento está supeditado al cumplimiento de estas dos condiciones:

1. Este dispositivo no puede causar interferencias perjudiciales; y
2. Este dispositivo debe aceptar cualquier interferencia recibida, incluyendo las interferencias que puedan causar un funcionamiento no deseado.

Cualquier cambio o modificación que no haya sido expresamente autorizado por la parte responsable de conformidad puede anular la potestad del usuario para hacer funcionar el equipo.

## Contacto

Fuera de EE. UU., Reino Unido, Irlanda, Benelux, Francia, Alemania o México póngase en contacto con su distribuidor para solicitar asistencia o devolver un producto. Consulte [Contact Us](#) al final de este GRR para información de contacto.

## Qué va Incluido

- Rogue R3X Wash con pantalla antirreflectante
- Cable de alimentación Neutrik® powerCON®
- 2 soportes Omega
- Guía de Referencia Rápida

## Corriente Alterna

Este producto tiene una fuente de alimentación con detección automática que puede funcionar con un rango de tensión de entrada de 100 a 240 VCA, 50/60 Hz.

### Alimentación en Cadena

Puede enlazar hasta 2 productos Rogue R3X Wash a 100/120 V o 4 productos a 208/230/240 V. Los cables de alimentación en cadena se pueden adquirir por separado.

### Enchufe CA

Conexión	Cable (EE.UU.)	Cable (Europa)	Color del tornillo
CA Cargado	Negro	Marrón	Amarillo/Latón
CA Neutro	Blanco	Azul	Plata
CA Tierra	Verde/Amarillo	Verde/Amarillo	Verde



**Para evitar un desgaste innecesario y alargar su vida útil, desconecte completamente el producto de la alimentación, mediante el interruptor o desenchufándolo, durante los periodos en los que no se use.**

### Sustitución del Fusible

1. Desconecte este producto de la alimentación.
2. Utilizando un destornillador plano, desatornille la tapa del portafusibles de la carcasa.
3. Quite el fusible fundido del portafusibles y sustitúyalo con uno nuevo del mismo tipo y categoría.
4. Vuelva a atornillar la tapa del portafusibles en su sitio y conecte de nuevo la alimentación.

### Enlace DMX

El Rogue R3X Wash funcionará con un controlador DMX usando una conexión serie DMX de 5 o 3 pines. Hay un Manual DMX disponible en [www.chauvetprofessional.com](http://www.chauvetprofessional.com).

### Conexión DMX

El Rogue R3X Wash usa una conexión de datos DMX normal para sus personalidades: **21CH**, **62CH**, **71CH**, y **107CH**. Vea el Manual de Usuario para conectar y configurar para funcionamiento DMX.

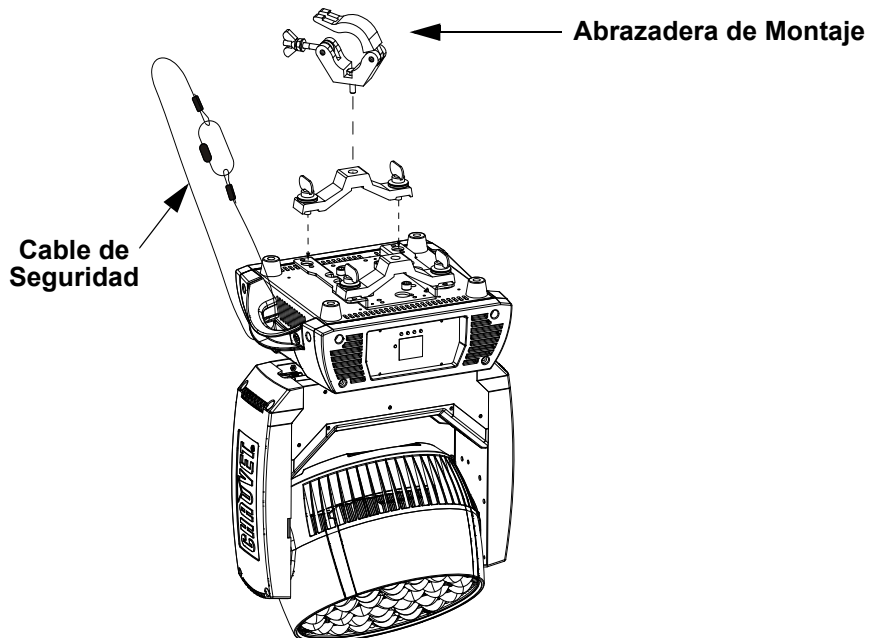
### RDM (gestión remota del dispositivo)

Remote Device Management (gestión remota del dispositivo) o RDM, es un estándar que permite a los dispositivos con capacidad DMX una comunicación bidireccional por un cableado DMX existente. El Rogue R3X Wash admite protocolo RDM, que posibilita información para supervisar cambiar las opciones del mapa de menú. Descargue el manual de usuario de [www.chauvetprofessional.com](http://www.chauvetprofessional.com) para una información más detallada.

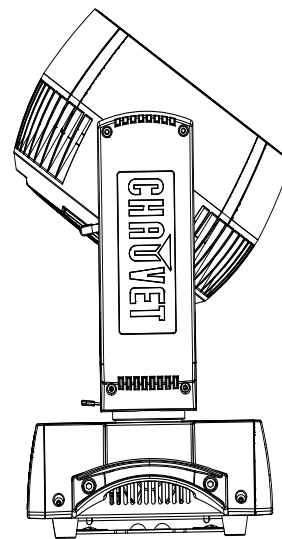
## Montaje

Antes de montar este producto, lea las [Notas de Seguridad](#). Utilice al menos un punto de montaje por producto. Asegúrese de que las abrazaderas de montaje son capaces de soportar el peso del producto. Para nuestra línea Chauvet de abrazaderas de montaje, visite <http://trusst.com/productcategory/truss-clamps/>.

### Diagrama de Montaje del Producto



Montaje en Altura



Montaje en el Suelo



Quando use una abrazadera de montaje, asegúrese de usar una abrazadera con tornillo prisionero para evitar que se afloje accidentalmente.

### Descripción del Panel de Control

Botón	Función
<MENU>	Salir del menú o función actual
<ENTER>	Habilita el menú actualmente en pantalla o configura el valor seleccionado actualmente dentro de la función seleccionada
<UP>	Navega hacia arriba por la lista de menú y aumenta el valor numérico cuando está en una función
<DOWN>	Navega hacia abajo por la lista de menú y disminuye el valor numérico cuando está en una función

### Mapa de Menú

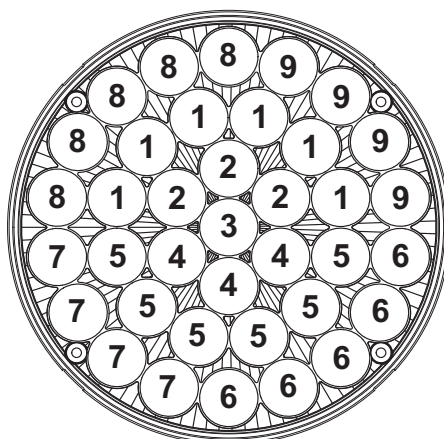
Consulte la página del producto Rogue R3X Wash en [www.chauvetprofessional.com](http://www.chauvetprofessional.com) para ver el último mapa de menú.

Nivel Principal	Niveles de Programación		Descripción	
<b>Address</b>	<b>001-512</b>		Configura la dirección inicial DMX	
<b>Running Mode</b>	<b>DMX</b>	<b>21</b>	Selecciona la personalidad DMX	
		<b>62</b>		
		<b>71</b>		
		<b>107</b>		
	<b>Auto Test</b>		Inicia la secuencia de prueba del dispositivo	
	<b>Manual Test</b>	<b>Pan</b>	<b>000-255</b>	Permite control manual de toda la configuración desde el panel de control
		<b>Tilt</b>		
		<b>P/T Speed</b>		
		<b>Red</b>		
		<b>Green</b>		
		<b>Blue</b>		
		<b>White</b>		
		<b>CTC</b>		
		<b>Color</b>		
		<b>Pattern</b>		
<b>LED Macro</b>				
<b>LED Ma. Speed</b>				
<b>LED Ma. Fade</b>				
<b>Background</b>				
<b>Background Dim.</b>				
<b>Dimmer</b>				
<b>Shutter</b>				
<b>Zoom</b>				
<b>Setup</b>	<b>Pan Reverse</b>	<b>OFF</b>	Invierte el funcionamiento del desplazamiento lateral	
		<b>ON</b>	Funcionamiento de desplazamiento lateral normal	
	<b>Tilt Reverse</b>	<b>OFF</b>	Invierte el funcionamiento de la inclinación	
		<b>ON</b>	Funcionamiento inclinación normal	
	<b>Zoom Reverse</b>	<b>OFF</b>	Invierte el funcionamiento de la zoom	
		<b>ON</b>	Funcionamiento zoom normal	
	<b>Pan Angle</b>	<b>540</b>	Selecciona el rango de desplazamiento lateral de 540°	
		<b>360</b>	Selecciona el rango de desplazamiento lateral de 360°	
		<b>180</b>	Selecciona el rango de desplazamiento lateral de 180°	
	<b>Tilt Angle</b>	<b>230</b>	Selecciona el rango de inclinación de 230°	
		<b>180</b>	Selecciona el rango de inclinación de 180°	
		<b>90</b>	Selecciona el rango de inclinación de 90°	
	<b>XY Mode</b>	<b>Fast</b>	Establece la velocidad de la cacerola / inclinación	
		<b>Slow</b>		



Nivel Principal	Niveles de Programación			Descripción
Setup (cont.)	Fans	Auto		Selecciona el modo de funcionamiento de ventilador.
		ECO		
		Full		
	Display	OFF		Determina cuánto tiempo permanecerá encendida la luz de la pantalla después de haber pulsado el último botón de comando.
		ON		
	Screen Rev	OFF		Vista normal de la pantalla de control
		ON		Gira la pantalla de control 180°
	C Mixing Mode	RGBW		Mezcla de color aditivo (0–100%)
		CMY		Mezcla de color sustractivo (100%–0)
	Dimmer Curve	Linear		Atenuador lineal
		Square		Atenuador con curva cuadrática
		I Squa		Atenuador con curva cuadrática inversa
		Scurve		Atenuador con curva S
	Dimmer Speed	Smooth		Curvas de atenuador lenta (Smooth) o rápida (Fast)
		Fast		
	PWM Option	600Hz		Selecciona la frecuencia de emisión PWM
		1200Hz		
		2000Hz		
		4000Hz		
		6000Hz		
		15000Hz		
	Color calibration	ON		Máx. emisión cuando los canales DMX RGBW están a plena potencia
		OFF		Temperatura de color calibrada en fábrica cuando los canales DMX RGBW están a plena potencia
Custom		RED	100-255	Temperatura de color calibrada manualmente cuando los canales DMX RGBW están a plena potencia
		GREEN		
	BLUE			
White Mode	On		Calibra blanco a 7500K	
	Off		Utiliza valores de salida máximos	
	Custom	RED		Establece el valor máximo de LED rojo
		GREEN		Establece el valor máximo de LED verde
		BLUE		Establece el valor máximo de LED azul
		WHITE		Establece el valor máximo de LED blanco
Reset Function	Pan/Tilt	Yes	Reinicia las funciones de desplazamiento lateral/inclinación a la posición de inicio	
		No		
	Zoom	Yes	Reinicia todas las funciones de zoom a la posición de inicio	
		No		
	All	Yes	Reinicia todas las funciones a la posición de inicio	
		No		
Factory Set	Yes		Devuelve el producto a su configuración de fábrica original	
	No			
Sys Info	Ver			Muestra en pantalla la versión de software
	Running Mode			Muestra el modo de ejecución actual
	DMX Address			Muestra la dirección DMX actual
	Temperature			Muestra la temperatura del producto en Celsius
	Fixture Time			Muestra el tiempo de funcionamiento total del producto
	UID			Muestra actual UID #

Rogue R3X Wash Zonas para control DMX



Valores DMX  
107CH

Canal	Función	Valor	Porcentaje/Configuración
1	Desplazamiento Lateral	000 ⇔ 255	0-100%
2	Desplazamiento Lateral Fino	000 ⇔ 255	Nítido control (16-bit)
3	Inclinación	000 ⇔ 255	0-100%
4	Inclinación Fina	000 ⇔ 255	Nítido control (16-bit)
5	Velocidad Desplazamiento Lateral/Inclinación	000 ⇔ 255	0-100%
6	Atenuador	000 ⇔ 255	0-100%
7	Atenuador Fino	000 ⇔ 255	Nítido control (16-bit)
8	Obturador	000 ⇔ 019 Cerrado 020 ⇔ 024 Abierto 025 ⇔ 064 Lento a rápido 065 ⇔ 069 Abierto 070 ⇔ 084 Encendido rápido/apagado gradual 085 ⇔ 089 Abierto 090 ⇔ 104 Apagado gradual/encendido rápido 105 ⇔ 109 Abierto 110 ⇔ 124 Aleatorio 125 ⇔ 129 Abierto 130 ⇔ 144 Encendido rápido aleatorio/apagado gradual 145 ⇔ 149 Abierto 150 ⇔ 164 Encendido lento aleatorio/apagado rápido 165 ⇔ 169 Abierto 170 ⇔ 184 Pulso 185 ⇔ 189 Abierto 190 ⇔ 204 Pulso aleatorio 205 ⇔ 209 Abierto 210 ⇔ 224 Fade on/off 225 ⇔ 229 Abierto 230 ⇔ 244 Pulso 245 ⇔ 255 Abierto	
9	CTC	000 Sin función 001 ⇔ 255 2800K to 10,000K	

Canal	Función	Valor	Porcentaje/Configuración					
<b>10</b>	<b>Color</b>	000	Sin función					
		001 ⇔ 002	2700K	R:156	V: 118	A: 0	B: 63	
		003 ⇔ 004	3200K	R:156	V: 141	A: 5	B: 89	
		005 ⇔ 006	4200K	R:156	V: 141	A: 14	B: 255	
		007 ⇔ 008	5600K	R:156	V: 207	A: 54	B: 255	
		009 ⇔ 010	8000K	R:130	V: 255	A: 96	B: 255	
		11	Azul	R: 0	V: 0	A: 255	B: 0	
		012 ⇔ 048		R: 0	V: +	A: 255	B: 0	
		049	Cian	R: 0	V: 255	A: 255	B: 0	
		050 ⇔ 086		R: 0	V: 255	A: -	B: 0	
		087	Verde	R: 0	V: 255	A: 0	B: 0	
		088 ⇔ 124		R: +	V: 255	A: 0	B: 0	
		125	Amarillo	R: 255	V: 255	A: 0	B: 0	
		126 ⇔ 162		R: 255	V: -	A: 0	B: 0	
		163	Rojo	R: 255	V: 0	A: 0	B: 0	
		164 ⇔ 200		R: 255	V: 0	A: +	B: 0	
		201	Magenta	R: 255	V: 0	A: 255	B: 0	
		202 ⇔ 238		R: -	V: 0	A: 255	B: 0	
		239	Azul	R: 0	V: 0	A: 255	B: 0	
		240 ⇔ 247	Desplazamiento de color en sentido horario, rápido a lento					
		248 ⇔ 255	Desplazamiento de color, rápido a lento					
		<b>11</b>	<b>Gobo</b>	000 ⇔ 003	Sin función			
				004 ⇔ 006	Gobo 1			
				007 ⇔ 009	Gobo 2			
010 ⇔ 012	Gobo 3							
013 ⇔ 015	Gobo 4							
016 ⇔ 018	Gobo 5							
019 ⇔ 021	Gobo 6							
022 ⇔ 024	Gobo 7							
025 ⇔ 027	Gobo 8							
028 ⇔ 030	Gobo 9							
031 ⇔ 033	Sin Gobo							
034 ⇔ 036	Gobo 10							
037 ⇔ 039	Gobo 11							
040 ⇔ 042	Gobo 12							
043 ⇔ 045	Gobo 13							
046 ⇔ 048	Gobo 14							
049 ⇔ 051	Gobo 15							
052 ⇔ 054	Gobo 16							
055 ⇔ 057	Gobo 17							
058 ⇔ 060	Gobo 18							
061 ⇔ 063	Gobo 19							
064 ⇔ 066	Gobo 20							
067 ⇔ 069	Gobo 21							
070 ⇔ 072	Gobo 22							
073 ⇔ 075	Gobo 23							
076 ⇔ 078	Gobo 24							
079 ⇔ 081	Gobo 25							
082 ⇔ 084	Gobo 26							
085 ⇔ 087	Gobo 27							
088 ⇔ 090	Gobo 28							
091 ⇔ 093	Gobo 29							
094 ⇔ 096	Gobo 30							
097 ⇔ 099	Gobo 31							
100 ⇔ 102	Gobo 32							
103 ⇔ 105	Gobo 33							
106 ⇔ 108	Gobo 34							
109 ⇔ 111	Gobo 35							
112 ⇔ 114	Gobo 36							
115 ⇔ 117	Gobo 37							
118 ⇔ 120	Gobo 38							
121 ⇔ 123	Gobo 39							
124 ⇔ 126	Gobo 40							

# GUÍA DE REFERENCIA RÁPIDA



ES

Canal	Función	Valor	Porcentaje/Configuración
<b>11 (cont.)</b>	<b>Gobo (cont.)</b>	127 ⇄ 129	Gobo 41
		130 ⇄ 132	Gobo 42
		133 ⇄ 135	Gobo 43
		136 ⇄ 138	Gobo 44
		139 ⇄ 141	Gobo 45
		142 ⇄ 144	Gobo 46
		145 ⇄ 147	Gobo 47
		148 ⇄ 150	Gobo 48
		151 ⇄ 153	Gobo 49
		154 ⇄ 156	Gobo 50
		157 ⇄ 159	Gobo 51
		160 ⇄ 162	Gobo 52
		163 ⇄ 165	Gobo 53
		166 ⇄ 168	Gobo 54
		169 ⇄ 171	Gobo 55
		172 ⇄ 174	Gobo 56
		175 ⇄ 177	Gobo 57
		178 ⇄ 180	Gobo 58
		181 ⇄ 183	Gobo 59
		184 ⇄ 186	Gobo 60
		187 ⇄ 189	Gobo 61
		190 ⇄ 192	Gobo 62
		193 ⇄ 195	Gobo 63
		196 ⇄ 198	Gobo 64
		199 ⇄ 201	Gobo 65
		202 ⇄ 204	Gobo 66
		205 ⇄ 207	Gobo 67
		208 ⇄ 210	Gobo 68
		211 ⇄ 213	Gobo 69
		214 ⇄ 216	Gobo 70
		217 ⇄ 219	Gobo 71
		220 ⇄ 222	Gobo 72
		223 ⇄ 225	Gobo 73
		226 ⇄ 228	Gobo 74
		229 ⇄ 231	Gobo 75
		232 ⇄ 234	Gobo 76
		235 ⇄ 237	Gobo 77
		238 ⇄ 240	Gobo 78
		241 ⇄ 243	Gobo 79
		244 ⇄ 246	Gobo 80
		247 ⇄ 249	Gobo 81
		250 ⇄ 252	Gobo 82
		253 ⇄ 255	Gobo 83

Canal	Función	Valor	Porcentaje/Configuración
12	LED incorporado	001 ⇔ 015	Sin función
		016 ⇔ 017	Incorporado 1
		018 ⇔ 019	Incorporado 2
		020 ⇔ 021	Incorporado 3
		022 ⇔ 023	Incorporado 4
		024 ⇔ 025	Incorporado 5
		026 ⇔ 027	Incorporado 6
		028 ⇔ 029	Incorporado 7
		030 ⇔ 031	Incorporado 8
		032 ⇔ 033	Incorporado 9
		034 ⇔ 035	Incorporado 10
		036 ⇔ 037	Incorporado 11
		038 ⇔ 039	Incorporado 12
		040 ⇔ 041	Incorporado 13
		042 ⇔ 043	Incorporado 14
		044 ⇔ 045	Incorporado 15
		046 ⇔ 047	Incorporado 16
		048 ⇔ 049	Incorporado 17
		050 ⇔ 051	Incorporado 18
		052 ⇔ 053	Incorporado 19
		054 ⇔ 055	Incorporado 20
		056 ⇔ 057	Incorporado 21
		058 ⇔ 059	Incorporado 22
		060 ⇔ 061	Incorporado 23
		062 ⇔ 063	Incorporado 24
		064 ⇔ 065	Incorporado 25
		066 ⇔ 067	Incorporado 26
		068 ⇔ 069	Incorporado 27
		070 ⇔ 071	Incorporado 28
		072 ⇔ 073	Incorporado 29
		074 ⇔ 075	Incorporado 30
		076 ⇔ 077	Incorporado 31
		078 ⇔ 079	Incorporado 32
		080 ⇔ 081	Incorporado 33
		082 ⇔ 083	Incorporado 34
		084 ⇔ 085	Incorporado 35
		086 ⇔ 087	Incorporado 36
		088 ⇔ 089	Incorporado 37
		090 ⇔ 091	Incorporado 38
		092 ⇔ 093	Incorporado 39
		094 ⇔ 095	Incorporado 40
		096 ⇔ 097	Incorporado 41
		098 ⇔ 099	Incorporado 42
		100 ⇔ 101	Incorporado 43
		102 ⇔ 103	Incorporado 44
		104 ⇔ 105	Incorporado 45
		106 ⇔ 107	Incorporado 46
		108 ⇔ 109	Incorporado 47
		110 ⇔ 111	Incorporado 48
		112 ⇔ 113	Incorporado 49
		114 ⇔ 115	Incorporado 50
		116 ⇔ 117	Incorporado 51
		118 ⇔ 119	Incorporado 52
		120 ⇔ 121	Incorporado 53
		122 ⇔ 123	incorporado 54
		124 ⇔ 125	Incorporado 55
		126 ⇔ 127	Incorporado 56
		128 ⇔ 135	Incorporado 57
		136 ⇔ 137	Incorporado 58
		138 ⇔ 139	Incorporado 59
		140 ⇔ 141	Incorporado 60
		142 ⇔ 143	Incorporado 61
		144 ⇔ 145	Incorporado 62
		146 ⇔ 147	Incorporado 63
		148 ⇔ 149	Incorporado 64
150 ⇔ 151	Incorporado 65		

# GUÍA DE REFERENCIA RÁPIDA



ES

Canal	Función	Valor	Porcentaje/Configuración
12 (cont.)	LED Incorporado (cont.)	152 ⇔ 153	Incorporado 66
		154 ⇔ 155	Incorporado 67
		156 ⇔ 157	Incorporado 68
		158 ⇔ 159	Incorporado 69
		160 ⇔ 161	Incorporado 70
		162 ⇔ 163	Incorporado 71
		164 ⇔ 165	Incorporado 72
		166 ⇔ 167	Incorporado 73
		168 ⇔ 169	Incorporado 74
		170 ⇔ 171	Incorporado 75
		172 ⇔ 173	Incorporado 76
		174 ⇔ 175	Incorporado 77
		176 ⇔ 177	Incorporado 78
		178 ⇔ 179	Incorporado 79
		180 ⇔ 181	Incorporado 80
		182 ⇔ 183	Incorporado 81
		184 ⇔ 185	Incorporado 82
		186 ⇔ 187	Incorporado 83
		188 ⇔ 189	Incorporado 84
		190 ⇔ 191	Incorporado 85
		192 ⇔ 193	Incorporado 86
		194 ⇔ 195	Incorporado 87
		196 ⇔ 197	Incorporado 88
		198 ⇔ 199	Incorporado 89
		200 ⇔ 201	Incorporado 90
		202 ⇔ 203	Incorporado 91
		204 ⇔ 205	Incorporado 92
		206 ⇔ 207	Incorporado 93
		208 ⇔ 209	Incorporado 94
		210 ⇔ 211	Incorporado 95
		212 ⇔ 213	Incorporado 96
		214 ⇔ 215	Incorporado 97
		216 ⇔ 217	Incorporado 98
		218 ⇔ 219	Incorporado 99
		220 ⇔ 221	Incorporado 100
		222 ⇔ 223	Incorporado 101
		224 ⇔ 225	Incorporado 102
		226 ⇔ 227	Incorporado 103
		228 ⇔ 229	Incorporado 104
		230 ⇔ 231	Incorporado 105
232 ⇔ 233	Incorporado 106		
234 ⇔ 235	Incorporado 107		
236 ⇔ 237	Incorporado 108		
238 ⇔ 239	Incorporado 109		
240 ⇔ 241	Incorporado 110		
242 ⇔ 243	Incorporado 111		
244 ⇔ 245	Incorporado 112		
246 ⇔ 247	Incorporado 113		
248 ⇔ 255	Incorporado 114		
13	Velocidad LED incorporado	001 ⇔ 127 128 129 ⇔ 255	Giro en sentido horario, rápido a lento Stop Giro en sentido antihorario, lento a rápido
14	LED incorporado de delay	000 ⇔ 255	Rápido a lento

Canal	Función	Valor	Porcentaje/Configuración				
<b>15</b>	<b>Fondo Macro de Color</b>	000	Sin función				
		001 ⇔ 002	2700K	R:156	V: 118	A: 0	B: 63
		003 ⇔ 004	3200K	R:156	V: 141	A: 5	B: 89
		005 ⇔ 006	4200K	R:156	V: 141	A: 14	B: 255
		007 ⇔ 008	5600K	R:156	V: 207	A: 54	B: 255
		009 ⇔ 010	8000K	R:130	V: 255	A: 96	B: 255
		11	Azul	R: 0	V: 0	A: 255	B: 0
		012 ⇔ 048		R: 0	V: +	A: 255	B: 0
		049	Cian	R: 0	V: 255	A: 255	B: 0
		050 ⇔ 086		R: 0	V: 255	A: -	B: 0
		087	Verde	R: 0	V: 255	A: 0	B: 0
		088 ⇔ 124		R: +	V: 255	A: 0	B: 0
		125	Amarillo	R: 255	V: 255	A: 0	B: 0
		126 ⇔ 162		R: 255	V: -	A: 0	B: 0
		163	Rojo	R: 255	V: 0	A: 0	B: 0
		164 ⇔ 200		R: 255	V: 0	A: +	B: 0
		201	Magenta	R: 255	V: 0	A: 255	B: 0
		202 ⇔ 238		R: -	V: 0	A: 255	B: 0
		239	Azul	R: 0	V: 0	A: 255	B: 0
		240 ⇔ 247	Desplazamiento de color en sentido horario, rápido a lento				
248 ⇔ 255	Desplazamiento de color, rápido a lento						
<b>16</b>	<b>Fondo Color Atenuador</b>	000 ⇔ 255	0-100%				
<b>17</b>	<b>Fondo Color Atenuador Fino</b>	000 ⇔ 255	Nítido control (16-bit)				
<b>18</b>	<b>Fondo Rojo</b>	000 ⇔ 255	0-100%				
<b>19</b>	<b>Fondo Rojo Nítido</b>	000 ⇔ 255	Nítido control (16-bit)				
<b>20</b>	<b>Fondo Verde</b>	000 ⇔ 255	0-100%				
<b>21</b>	<b>Fondo Verde Nítido</b>	000 ⇔ 255	Nítido control (16-bit)				
<b>22</b>	<b>Fondo Azul</b>	000 ⇔ 255	0-100%				
<b>23</b>	<b>Fondo Azul Nítido</b>	000 ⇔ 255	Nítido control (16-bit)				
<b>24</b>	<b>Fondo Blanco</b>	000 ⇔ 255	0-100%				
<b>25</b>	<b>Fondo Blanco Nítido</b>	000 ⇔ 255	Nítido control (16-bit)				
<b>26</b>	<b>Zoom</b>	000 ⇔ 255	0-100%				

Canal	Función	Valor	Porcentaje/Configuración
27	Control	001 ⇔ 009	Sin función
		010 ⇔ 014	Blackout durante desplazamiento lateral/inclinación (mantener 5 s)
		015 ⇔ 019	Sin función
		020 ⇔ 024	La mezcla de color RGBW
		025 ⇔ 029	La mezcla de color CMY
		030 ⇔ 034	Sin función
		035 ⇔ 039	Sin función
		040 ⇔ 044	Sin función
		045 ⇔ 049	Sin función
		050 ⇔ 054	Reiniciar inclinación (mantener 5 s)
		055 ⇔ 059	Reiniciar desplazamiento lateral (mantener 5 s)
		060 ⇔ 064	Reinicio del zoom (mantener 5 s)
		065 ⇔ 069	Sin función
		070 ⇔ 074	Reiniciar todo (mantener 5 s)
		075 ⇔ 079	Sin función
		080 ⇔ 084	Invertir movimiento lateral/inclinación (mantener 5 s)
		085 ⇔ 089	Invertir movimiento lateral (mantener 5 s)
		090 ⇔ 094	Invertir movimiento de inclinación (mantener 5 s)
		095 ⇔ 099	Desactivar inversión del movimiento lateral (mantener 5 s)
		100 ⇔ 104	Desactivar inversión del movimiento de inclinación (mantener 5 s)
		105 ⇔ 109	Desactivar inversión del movimiento lateral/inclinación (mantener 5 s)
		110 ⇔ 114	Sin función
		115 ⇔ 119	Sin función
		120 ⇔ 124	Ventilador de economía (mantener 5 s)
		125 ⇔ 129	Ventilador al máximo (mantener 5 s)
		130 ⇔ 134	Ventilador automático (mantener 5 s)
		135 ⇔ 139	Curva de atenuador rápida (mantener 5 s)
		140 ⇔ 144	Curva de atenuador suave (mantener 5 s)
		145 ⇔ 149	Curva lineal
		150 ⇔ 154	Curva cuadrada
		155 ⇔ 159	I curva cuadrada
		160 ⇔ 164	Scurva
165 ⇔ 169	Modo blanco encendido		
170 ⇔ 174	Modo blanco apagado		
145 ⇔ 255	Sin función		
28	Rojo (Cian)	000 ⇔ 255	0-100%
29	Rojo Nítido (Cian)	000 ⇔ 255	Nítido control (16-bit)
30	Verde (Magenta)	000 ⇔ 255	0-100%
31	Verde Nítido (Magenta)	000 ⇔ 255	Nítido control (16-bit)
32	Azul (Amarillo)	000 ⇔ 255	0-100%
33	Azul Nítido (Amarillo)	000 ⇔ 255	Nítido control (16-bit)
34	Blanco	000 ⇔ 255	0-100%
35	Blanco Nítido	000 ⇔ 255	Nítido control (16-bit)
36	Rojo 1 (Cian)	000 ⇔ 255	0-100%
37	Rojo 1 Nítido (Cian)	000 ⇔ 255	Nítido control (16-bit)
38	Verde 1 (Magenta)	000 ⇔ 255	0-100%
39	Verde 1 Nítido (Magenta)	000 ⇔ 255	Nítido control (16-bit)
40	Azul 1 (Amarillo)	000 ⇔ 255	0-100%
41	Azul 1 Nítido (Amarillo)	000 ⇔ 255	Nítido control (16-bit)
42	Blanco 1	000 ⇔ 255	0-100%
43	Blanco 1 Nítido	000 ⇔ 255	Nítido control (16-bit)
44	Rojo 2 (Cian)	000 ⇔ 255	0-100%
45	Rojo 2 Nítido (Cian)	000 ⇔ 255	Nítido control (16-bit)
46	Verde 2 (Magenta)	000 ⇔ 255	0-100%
47	Verde 2 Nítido (Magenta)	000 ⇔ 255	Nítido control (16-bit)
48	Azul 2 (Amarillo)	000 ⇔ 255	0-100%



Canal	Función	Valor	Porcentaje/Configuración
49	<b>Azul 2 Nítido (Amarillo)</b>	000 ⇔ 255	Nítido control (16-bit)
50	<b>Blanco 2</b>	000 ⇔ 255	0-100%
51	<b>Blanco 2 Nítido</b>	000 ⇔ 255	Nítido control (16-bit)
52	<b>Rojo 3 (Cian)</b>	000 ⇔ 255	0-100%
53	<b>Rojo 3 Nítido (Cian)</b>	000 ⇔ 255	Nítido control (16-bit)
54	<b>Verde 3 (Magenta)</b>	000 ⇔ 255	0-100%
55	<b>Verde 3 Nítido (Magenta)</b>	000 ⇔ 255	Nítido control (16-bit)
56	<b>Azul 3 (Amarillo)</b>	000 ⇔ 255	0-100%
57	<b>Azul 3 Nítido (Amarillo)</b>	000 ⇔ 255	Nítido control (16-bit)
58	<b>Blanco 3</b>	000 ⇔ 255	0-100%
59	<b>Blanco 3 Nítido</b>	000 ⇔ 255	Nítido control (16-bit)
60	<b>Rojo 4 (Cian)</b>	000 ⇔ 255	0-100%
61	<b>Rojo 4 Nítido (Cian)</b>	000 ⇔ 255	Nítido control (16-bit)
62	<b>Verde 4 (Magenta)</b>	000 ⇔ 255	0-100%
63	<b>Verde 4 Nítido (Magenta)</b>	000 ⇔ 255	Nítido control (16-bit)
64	<b>Azul 4 (Amarillo)</b>	000 ⇔ 255	0-100%
65	<b>Azul 4 Nítido (Amarillo)</b>	000 ⇔ 255	Nítido control (16-bit)
66	<b>Blanco 4</b>	000 ⇔ 255	0-100%
67	<b>Blanco 4 Nítido</b>	000 ⇔ 255	Nítido control (16-bit)
68	<b>Rojo 5 (Cian)</b>	000 ⇔ 255	0-100%
69	<b>Rojo 5 Nítido (Cian)</b>	000 ⇔ 255	Nítido control (16-bit)
70	<b>Verde 5 (Magenta)</b>	000 ⇔ 255	0-100%
71	<b>Verde 5 Nítido (Magenta)</b>	000 ⇔ 255	Nítido control (16-bit)
72	<b>Azul 5 (Amarillo)</b>	000 ⇔ 255	0-100%
73	<b>Azul 5 Nítido (Amarillo)</b>	000 ⇔ 255	Nítido control (16-bit)
74	<b>Blanco 5</b>	000 ⇔ 255	0-100%
75	<b>Blanco 5 Nítido</b>	000 ⇔ 255	Nítido control (16-bit)
76	<b>Rojo 6 (Cian)</b>	000 ⇔ 255	0-100%
77	<b>Rojo 6 Nítido (Cian)</b>	000 ⇔ 255	Nítido control (16-bit)
78	<b>Verde 6 (Magenta)</b>	000 ⇔ 255	0-100%
79	<b>Verde 6 Nítido (Magenta)</b>	000 ⇔ 255	Nítido control (16-bit)
80	<b>Azul 6 (Amarillo)</b>	000 ⇔ 255	0-100%
81	<b>Azul 6 Nítido (Amarillo)</b>	000 ⇔ 255	Nítido control (16-bit)
82	<b>Blanco 6</b>	000 ⇔ 255	0-100%
83	<b>Blanco 6 Nítido</b>	000 ⇔ 255	Nítido control (16-bit)
84	<b>Rojo 7 (Cian)</b>	000 ⇔ 255	0-100%
85	<b>Rojo 7 Nítido (Cian)</b>	000 ⇔ 255	Nítido control (16-bit)
86	<b>Verde 7 (Magenta)</b>	000 ⇔ 255	0-100%
87	<b>Verde 7 Nítido (Magenta)</b>	000 ⇔ 255	Nítido control (16-bit)
88	<b>Azul 7 (Amarillo)</b>	000 ⇔ 255	0-100%
89	<b>Azul 7 Nítido (Amarillo)</b>	000 ⇔ 255	Nítido control (16-bit)
90	<b>Blanco 7</b>	000 ⇔ 255	0-100%
91	<b>Blanco 7 Nítido</b>	000 ⇔ 255	Nítido control (16-bit)
92	<b>Rojo 8 (Cian)</b>	000 ⇔ 255	0-100%
93	<b>Rojo 8 Nítido (Cian)</b>	000 ⇔ 255	Nítido control (16-bit)
94	<b>Verde 8 (Magenta)</b>	000 ⇔ 255	0-100%

ES

Canal	Función	Valor	Porcentaje/Configuración
95	Verde 8 Nítido (Magenta)	000 ⇔ 255	Nítido control (16-bit)
96	Azul 8 (Amarillo)	000 ⇔ 255	0-100%
97	Azul 8 Nítido (Amarillo)	000 ⇔ 255	Nítido control (16-bit)
98	Blanco 8	000 ⇔ 255	0-100%
99	Blanco 8 Nítido	000 ⇔ 255	Nítido control (16-bit)
100	Rojo 9 (Cian)	000 ⇔ 255	0-100%
101	Rojo 9 Nítido (Cian)	000 ⇔ 255	Nítido control (16-bit)
102	Verde 9 (Magenta)	000 ⇔ 255	0-100%
103	Verde 9 Nítido (Magenta)	000 ⇔ 255	Nítido control (16-bit)
104	Azul 9 (Amarillo)	000 ⇔ 255	0-100%
105	Azul 9 Nítido (Amarillo)	000 ⇔ 255	Nítido control (16-bit)
106	Blanco 9	000 ⇔ 255	0-100%
107	Blanco 9 Nítido	000 ⇔ 255	Nítido control (16-bit)

71CH

Canal	Función	Valor	Porcentaje/Configuración
1	Desplazamiento Lateral	000 ⇔ 255	0-100%
2	Desplazamiento Lateral Fino	000 ⇔ 255	Nítido control (16-bit)
3	Inclinación	000 ⇔ 255	0-100%
4	Inclinación Fina	000 ⇔ 255	Nítido control (16-bit)
5	Velocidad Desplazamiento Lateral/Inclinación	000 ⇔ 255	0-100%
6	Atenuador	000 ⇔ 255	0-100%
7	Atenuador Fino	000 ⇔ 255	Nítido control (16-bit)
8	Obturador	000 ⇔ 019	Cerrado
		020 ⇔ 024	Abierto
		025 ⇔ 064	Lento a rápido
		065 ⇔ 069	Abierto
		070 ⇔ 084	Encendido rápido/apagado gradual
		085 ⇔ 089	Abierto
		090 ⇔ 104	Apagado gradual/encendido rápido
		105 ⇔ 109	Abierto
		110 ⇔ 124	Aleatorio
		125 ⇔ 129	Abierto
		130 ⇔ 144	Encendido rápido aleatorio/apagado gradual
		145 ⇔ 149	Abierto
		150 ⇔ 164	Encendido lento aleatorio/apagado rápido
		165 ⇔ 169	Abierto
		170 ⇔ 184	Pulso
185 ⇔ 189	Abierto		
190 ⇔ 204	Pulso aleatorio		
205 ⇔ 209	Abierto		
210 ⇔ 224	Fade on/off		
225 ⇔ 229	Abierto		
230 ⇔ 244	Pulso		
245 ⇔ 255	Abierto		
9	CTC	000	Sin función
		001 ⇔ 255	2800K to 10,000K

Canal	Función	Valor	Porcentaje/Configuración					
10	Color	000	Sin función					
		001 ⇄ 002	2700K	R:156	V: 118	A: 0	B: 63	
		003 ⇄ 004	3200K	R:156	V: 141	A: 5	B: 89	
		005 ⇄ 006	4200K	R:156	V: 141	A: 14	B: 255	
		007 ⇄ 008	5600K	R:156	V: 207	A: 54	B: 255	
		009 ⇄ 010	8000K	R:130	V: 255	A: 96	B: 255	
		11	Azul	R: 0	V: 0	A: 255	B: 0	
		012 ⇄ 048		R: 0	V: +	A: 255	B: 0	
		049	Cian	R: 0	V: 255	A: 255	B: 0	
		050 ⇄ 086		R: 0	V: 255	A: -	B: 0	
		087	Verde	R: 0	V: 255	A: 0	B: 0	
		088 ⇄ 124		R: +	V: 255	A: 0	B: 0	
		125	Amarillo	R: 255	V: 255	A: 0	B: 0	
		126 ⇄ 162		R: 255	V: -	A: 0	B: 0	
		163	Rojo	R: 255	V: 0	A: 0	B: 0	
		164 ⇄ 200		R: 255	V: 0	A: +	B: 0	
		201	Magenta	R: 255	V: 0	A: 255	B: 0	
		202 ⇄ 238		R: -	V: 0	A: 255	B: 0	
		239	Azul	R: 0	V: 0	A: 255	B: 0	
		240 ⇄ 247	Desplazamiento de color en sentido horario, rápido a lento					
		248 ⇄ 255	Desplazamiento de color, rápido a lento					
		11	Gobo	000 ⇄ 003	Sin función			
				004 ⇄ 006	Gobo 1			
007 ⇄ 009	Gobo 2							
010 ⇄ 012	Gobo 3							
013 ⇄ 015	Gobo 4							
016 ⇄ 018	Gobo 5							
019 ⇄ 021	Gobo 6							
022 ⇄ 024	Gobo 7							
025 ⇄ 027	Gobo 8							
028 ⇄ 030	Gobo 9							
031 ⇄ 033	Sin Gobo							
034 ⇄ 036	Gobo 10							
037 ⇄ 039	Gobo 11							
040 ⇄ 042	Gobo 12							
043 ⇄ 045	Gobo 13							
046 ⇄ 048	Gobo 14							
049 ⇄ 051	Gobo 15							
052 ⇄ 054	Gobo 16							
055 ⇄ 057	Gobo 17							
058 ⇄ 060	Gobo 18							
061 ⇄ 063	Gobo 19							
064 ⇄ 066	Gobo 20							
067 ⇄ 069	Gobo 21							
070 ⇄ 072	Gobo 22							
073 ⇄ 075	Gobo 23							
076 ⇄ 078	Gobo 24							
079 ⇄ 081	Gobo 25							
082 ⇄ 084	Gobo 26							
085 ⇄ 087	Gobo 27							
088 ⇄ 090	Gobo 28							
091 ⇄ 093	Gobo 29							
094 ⇄ 096	Gobo 30							
097 ⇄ 099	Gobo 31							
100 ⇄ 102	Gobo 32							
103 ⇄ 105	Gobo 33							
106 ⇄ 108	Gobo 34							
109 ⇄ 111	Gobo 35							

# GUÍA DE REFERENCIA RÁPIDA



ES

Canal	Función	Valor	Porcentaje/Configuración
<b>11 (cont.)</b>	<b>Gobo (cont.)</b>	112 ⇄ 114	Gobo 36
		115 ⇄ 117	Gobo 37
		118 ⇄ 120	Gobo 38
		121 ⇄ 123	Gobo 39
		124 ⇄ 126	Gobo 40
		127 ⇄ 129	Gobo 41
		130 ⇄ 132	Gobo 42
		133 ⇄ 135	Gobo 43
		136 ⇄ 138	Gobo 44
		139 ⇄ 141	Gobo 45
		142 ⇄ 144	Gobo 46
		145 ⇄ 147	Gobo 47
		148 ⇄ 150	Gobo 48
		151 ⇄ 153	Gobo 49
		154 ⇄ 156	Gobo 50
		157 ⇄ 159	Gobo 51
		160 ⇄ 162	Gobo 52
		163 ⇄ 165	Gobo 53
		166 ⇄ 168	Gobo 54
		169 ⇄ 171	Gobo 55
		172 ⇄ 174	Gobo 56
		175 ⇄ 177	Gobo 57
		178 ⇄ 180	Gobo 58
		181 ⇄ 183	Gobo 59
		184 ⇄ 186	Gobo 60
		187 ⇄ 189	Gobo 61
		190 ⇄ 192	Gobo 62
		193 ⇄ 195	Gobo 63
		196 ⇄ 198	Gobo 64
		199 ⇄ 201	Gobo 65
		202 ⇄ 204	Gobo 66
		205 ⇄ 207	Gobo 67
		208 ⇄ 210	Gobo 68
		211 ⇄ 213	Gobo 69
		214 ⇄ 216	Gobo 70
		217 ⇄ 219	Gobo 71
		220 ⇄ 222	Gobo 72
		223 ⇄ 225	Gobo 73
		226 ⇄ 228	Gobo 74
		229 ⇄ 231	Gobo 75
		232 ⇄ 234	Gobo 76
		235 ⇄ 237	Gobo 77
		238 ⇄ 240	Gobo 78
		241 ⇄ 243	Gobo 79
		244 ⇄ 246	Gobo 80
		247 ⇄ 249	Gobo 81
		250 ⇄ 252	Gobo 82
		253 ⇄ 255	Gobo 83

Canal	Función	Valor	Porcentaje/Configuración
12	LED incorporado	001 ⇄ 015	Sin función
		016 ⇄ 017	Incorporado 1
		018 ⇄ 019	Incorporado 2
		020 ⇄ 021	Incorporado 3
		022 ⇄ 023	Incorporado 4
		024 ⇄ 025	Incorporado 5
		026 ⇄ 027	Incorporado 6
		028 ⇄ 029	Incorporado 7
		030 ⇄ 031	Incorporado 8
		032 ⇄ 033	Incorporado 9
		034 ⇄ 035	Incorporado 10
		036 ⇄ 037	Incorporado 11
		038 ⇄ 039	Incorporado 12
		040 ⇄ 041	Incorporado 13
		042 ⇄ 043	Incorporado 14
		044 ⇄ 045	Incorporado 15
		046 ⇄ 047	Incorporado 16
		048 ⇄ 049	Incorporado 17
		050 ⇄ 051	Incorporado 18
		052 ⇄ 053	Incorporado 19
		054 ⇄ 055	Incorporado 20
		056 ⇄ 057	Incorporado 21
		058 ⇄ 059	Incorporado 22
		060 ⇄ 061	Incorporado 23
		062 ⇄ 063	Incorporado 24
		064 ⇄ 065	Incorporado 25
		066 ⇄ 067	Incorporado 26
		068 ⇄ 069	Incorporado 27
		070 ⇄ 071	Incorporado 28
		072 ⇄ 073	Incorporado 29
		074 ⇄ 075	Incorporado 30
		076 ⇄ 077	Incorporado 31
		078 ⇄ 079	Incorporado 32
		080 ⇄ 081	Incorporado 33
		082 ⇄ 083	Incorporado 34
		084 ⇄ 085	Incorporado 35
		086 ⇄ 087	Incorporado 36
		088 ⇄ 089	Incorporado 37
		090 ⇄ 091	Incorporado 38
		092 ⇄ 093	Incorporado 39
		094 ⇄ 095	Incorporado 40
		096 ⇄ 097	Incorporado 41
		098 ⇄ 099	Incorporado 42
		100 ⇄ 101	Incorporado 43
		102 ⇄ 103	Incorporado 44
		104 ⇄ 105	Incorporado 45
		106 ⇄ 107	Incorporado 46
		108 ⇄ 109	Incorporado 47
		110 ⇄ 111	Incorporado 48
		112 ⇄ 113	Incorporado 49
		114 ⇄ 115	Incorporado 50
		116 ⇄ 117	Incorporado 51
		118 ⇄ 119	Incorporado 52
		120 ⇄ 121	Incorporado 53
		122 ⇄ 123	incorporado 54
		124 ⇄ 125	Incorporado 55
		126 ⇄ 127	Incorporado 56
		128 ⇄ 135	Incorporado 57
		136 ⇄ 137	Incorporado 58
		138 ⇄ 139	Incorporado 59
		140 ⇄ 141	Incorporado 60
		142 ⇄ 143	Incorporado 61
		144 ⇄ 145	Incorporado 62
		146 ⇄ 147	Incorporado 63
		148 ⇄ 149	Incorporado 64
150 ⇄ 151	Incorporado 65		

# GUÍA DE REFERENCIA RÁPIDA



ES

Canal	Función	Valor	Porcentaje/Configuración
12 (cont.)	LED Incorporado (cont.)	152 ⇔ 153	Incorporado 66
		154 ⇔ 155	Incorporado 67
		156 ⇔ 157	Incorporado 68
		158 ⇔ 159	Incorporado 69
		160 ⇔ 161	Incorporado 70
		162 ⇔ 163	Incorporado 71
		164 ⇔ 165	Incorporado 72
		166 ⇔ 167	Incorporado 73
		168 ⇔ 169	Incorporado 74
		170 ⇔ 171	Incorporado 75
		172 ⇔ 173	Incorporado 76
		174 ⇔ 175	Incorporado 77
		176 ⇔ 177	Incorporado 78
		178 ⇔ 179	Incorporado 79
		180 ⇔ 181	Incorporado 80
		182 ⇔ 183	Incorporado 81
		184 ⇔ 185	Incorporado 82
		186 ⇔ 187	Incorporado 83
		188 ⇔ 189	Incorporado 84
		190 ⇔ 191	Incorporado 85
		192 ⇔ 193	Incorporado 86
		194 ⇔ 195	Incorporado 87
		196 ⇔ 197	Incorporado 88
		198 ⇔ 199	Incorporado 89
		200 ⇔ 201	Incorporado 90
		202 ⇔ 203	Incorporado 91
		204 ⇔ 205	Incorporado 92
		206 ⇔ 207	Incorporado 93
		208 ⇔ 209	Incorporado 94
		210 ⇔ 211	Incorporado 95
		212 ⇔ 213	Incorporado 96
		214 ⇔ 215	Incorporado 97
		216 ⇔ 217	Incorporado 98
		218 ⇔ 219	Incorporado 99
220 ⇔ 221	Incorporado 100		
222 ⇔ 223	Incorporado 101		
224 ⇔ 225	Incorporado 102		
226 ⇔ 227	Incorporado 103		
228 ⇔ 229	Incorporado 104		
230 ⇔ 231	Incorporado 105		
232 ⇔ 233	Incorporado 106		
234 ⇔ 235	Incorporado 107		
236 ⇔ 237	Incorporado 108		
238 ⇔ 239	Incorporado 109		
240 ⇔ 241	Incorporado 110		
242 ⇔ 243	Incorporado 111		
244 ⇔ 245	Incorporado 112		
246 ⇔ 247	Incorporado 113		
248 ⇔ 255	Incorporado 114		
13	Velocidad LED incorporado	001 ⇔ 127 128 129 ⇔ 255	Giro en sentido horario, rápido a lento Stop Giro en sentido antihorario, lento a rápido
14	LED incorporado de delay	000 ⇔ 255	Rápido a lento

Canal	Función	Valor	Porcentaje/Configuración
<b>15</b>	<b>Fondo Macro de Color</b>	000	Sin función
		001 ⇄ 002	2700K R:156 V: 118 A: 0 B: 63
		003 ⇄ 004	3200K R:156 V: 141 A: 5 B: 89
		005 ⇄ 006	4200K R:156 V: 141 A: 14 B: 255
		007 ⇄ 008	5600K R:156 V: 207 A: 54 B: 255
		009 ⇄ 010	8000K R:130 V: 255 A: 96 B: 255
		11	Azul R: 0 V: 0 A: 255 B: 0
		012 ⇄ 048	R: 0 V: + A: 255 B: 0
		049	Cian R: 0 V: 255 A: 255 B: 0
		050 ⇄ 086	R: 0 V: 255 A: - B: 0
		087	Verde R: 0 V: 255 A: 0 B: 0
		088 ⇄ 124	R: + V: 255 A: 0 B: 0
		125	Amarillo R: 255 V: 255 A: 0 B: 0
		126 ⇄ 162	R: 255 V: - A: 0 B: 0
		163	Rojo R: 255 V: 0 A: 0 B: 0
		164 ⇄ 200	R: 255 V: 0 A: + B: 0
		201	Magenta R: 255 V: 0 A: 255 B: 0
		202 ⇄ 238	R: - V: 0 A: 255 B: 0
		239	Azul R: 0 V: 0 A: 255 B: 0
		240 ⇄ 247	Desplazamiento de color en sentido horario, rápido a lento
248 ⇄ 255	Desplazamiento de color, rápido a lento		
<b>16</b>	<b>Fondo Color Atenuador</b>	000 ⇄ 255	0-100%
<b>17</b>	<b>Fondo Rojo</b>	000 ⇄ 255	0-100%
<b>18</b>	<b>Fondo Verde</b>	000 ⇄ 255	0-100%
<b>19</b>	<b>Fondo Azul</b>	000 ⇄ 255	0-100%
<b>20</b>	<b>Fondo Blanco</b>	000 ⇄ 255	0-100%
<b>21</b>	<b>Zoom</b>	000 ⇄ 255	0-100%
<b>22</b>	<b>Control</b>	001 ⇄ 009	Sin función
		010 ⇄ 014	Blackout durante desplazamiento lateral/inclinación (mantener 5 s)
		015 ⇄ 019	Sin función
		020 ⇄ 024	La mezcla de color RGBW
		025 ⇄ 029	La mezcla de color CMY
		030 ⇄ 034	Sin función
		035 ⇄ 039	Sin función
		040 ⇄ 044	Sin función
		045 ⇄ 049	Sin función
		050 ⇄ 054	Reiniciar inclinación (mantener 5 s)
		055 ⇄ 059	Reiniciar desplazamiento lateral (mantener 5 s)
		060 ⇄ 064	Reinicio del zoom (mantener 5 s)
		065 ⇄ 069	Sin función
		070 ⇄ 074	Reiniciar todo (mantener 5 s)
		075 ⇄ 079	Sin función
		080 ⇄ 084	Invertir movimiento lateral/inclinación (mantener 5 s)
		085 ⇄ 089	Invertir movimiento lateral (mantener 5 s)
		090 ⇄ 094	Invertir movimiento de inclinación (mantener 5 s)
		095 ⇄ 099	Desactivar inversión del movimiento lateral (mantener 5 s)
		100 ⇄ 104	Desactivar inversión del movimiento de inclinación (mantener 5 s)
		105 ⇄ 109	Desactivar inversión del movimiento lateral/inclinación (mantener 5 s)
		110 ⇄ 114	Sin función
		115 ⇄ 119	Sin función
		120 ⇄ 124	Ventilador de economía (mantener 5 s)
		125 ⇄ 129	Ventilador al máximo (mantener 5 s)
		130 ⇄ 134	Ventilador automático (mantener 5 s)
		135 ⇄ 139	Curva de atenuador rápida (mantener 5 s)
		140 ⇄ 144	Curva de atenuador suave (mantener 5 s)
145 ⇄ 149	Curva lineal		
150 ⇄ 154	Curva cuadrada		
155 ⇄ 159	I curva cuadrada		
160 ⇄ 164	Scurva		
165 ⇄ 169	Modo blanco encendido		
170 ⇄ 174	Modo blanco apagado		
145 ⇄ 255	Sin función		
<b>23</b>	<b>Rojo (Cian)</b>	000 ⇄ 255	0-100%
<b>24</b>	<b>Verde (Magenta)</b>	000 ⇄ 255	0-100%

Canal	Función	Valor	Porcentaje/Configuración
25	Azul (Amarillo)	000 ⇔ 255	0-100%
26	Blanco	000 ⇔ 255	0-100%
27	Atenuador 1	000 ⇔ 255	0-100%
28	Rojo 1 (Cian)	000 ⇔ 255	0-100%
29	Verde 1 (Magenta)	000 ⇔ 255	0-100%
30	Azul 1 (Amarillo)	000 ⇔ 255	0-100%
31	Blanco 1	000 ⇔ 255	0-100%
32	Atenuador 2	000 ⇔ 255	0-100%
33	Rojo 2 (Cian)	000 ⇔ 255	0-100%
34	Verde 2 (Magenta)	000 ⇔ 255	0-100%
35	Azul 2 (Amarillo)	000 ⇔ 255	0-100%
36	Blanco 2	000 ⇔ 255	0-100%
37	Atenuador 3	000 ⇔ 255	0-100%
38	Rojo 3 (Cian)	000 ⇔ 255	0-100%
39	Verde 3 (Magenta)	000 ⇔ 255	0-100%
40	Azul 3 (Amarillo)	000 ⇔ 255	0-100%
41	Blanco 3	000 ⇔ 255	0-100%
42	Atenuador 4	000 ⇔ 255	0-100%
43	Rojo 4 (Cian)	000 ⇔ 255	0-100%
44	Verde 4 (Magenta)	000 ⇔ 255	0-100%
45	Azul 4 (Amarillo)	000 ⇔ 255	0-100%
46	Blanco 4	000 ⇔ 255	0-100%
47	Atenuador 5	000 ⇔ 255	0-100%
48	Rojo 5 (Cian)	000 ⇔ 255	0-100%
49	Verde 5 (Magenta)	000 ⇔ 255	0-100%
50	Azul 5 (Amarillo)	000 ⇔ 255	0-100%
51	Blanco 5	000 ⇔ 255	0-100%
52	Atenuador 6	000 ⇔ 255	0-100%
53	Rojo 6 (Cian)	000 ⇔ 255	0-100%
54	Verde 6 (Magenta)	000 ⇔ 255	0-100%
55	Azul 6 (Amarillo)	000 ⇔ 255	0-100%
56	Blanco 6	000 ⇔ 255	0-100%
57	Atenuador 7	000 ⇔ 255	0-100%
58	Rojo 7 (Cian)	000 ⇔ 255	0-100%
59	Verde 7 (Magenta)	000 ⇔ 255	0-100%
60	Azul 7 (Amarillo)	000 ⇔ 255	0-100%
61	Blanco 7	000 ⇔ 255	0-100%
62	Atenuador 8	000 ⇔ 255	0-100%
63	Rojo 8 (Cian)	000 ⇔ 255	0-100%
64	Verde 8 (Magenta)	000 ⇔ 255	0-100%
65	Azul 8 (Amarillo)	000 ⇔ 255	0-100%
66	Blanco 8	000 ⇔ 255	0-100%
67	Atenuador 9	000 ⇔ 255	0-100%
68	Rojo 9 (Cian)	000 ⇔ 255	0-100%
69	Verde 9 (Magenta)	000 ⇔ 255	0-100%
70	Azul 9 (Amarillo)	000 ⇔ 255	0-100%
71	Blanco 9	000 ⇔ 255	0-100%



**62CH**

Canal	Función	Valor	Porcentaje/Configuración
1	Desplazamiento Lateral	000 ⇔ 255	0-100%
2	Desplazamiento Lateral Fino	000 ⇔ 255	Nítido control (16-bit)
3	Inclinación	000 ⇔ 255	0-100%
4	Inclinación Fina	000 ⇔ 255	Nítido control (16-bit)
5	Velocidad Desplazamiento Lateral/Inclinación	000 ⇔ 255	0-100%
6	Atenuador	000 ⇔ 255	0-100%
7	Atenuador Fino	000 ⇔ 255	Nítido control (16-bit)
8	Obturador	000 ⇔ 019 020 ⇔ 024 025 ⇔ 064 065 ⇔ 069 070 ⇔ 084 085 ⇔ 089 090 ⇔ 104 105 ⇔ 109 110 ⇔ 124 125 ⇔ 129 130 ⇔ 144 145 ⇔ 149 150 ⇔ 164 165 ⇔ 169 170 ⇔ 184 185 ⇔ 189 190 ⇔ 204 205 ⇔ 209 210 ⇔ 224 225 ⇔ 229 230 ⇔ 244 245 ⇔ 255	Cerrado Abierto Lento a rápido Abierto Encendido rápido/apagado gradual Abierto Apagado gradual/encendido rápido Abierto Aleatorio Abierto Encendido rápido aleatorio/apagado gradual Abierto Encendido lento aleatorio/apagado rápido Abierto Pulso Abierto Pulso aleatorio Abierto Fade on/off Abierto Pulso Abierto
9	CTC	000 001 ⇔ 255	Sin función 2800K to 10,000K
10	Color	000 001 ⇔ 002 003 ⇔ 004 005 ⇔ 006 007 ⇔ 008 009 ⇔ 010 11 012 ⇔ 048 049 050 ⇔ 086 087 088 ⇔ 124 125 126 ⇔ 162 163 164 ⇔ 200 201 202 ⇔ 238 239 240 ⇔ 247 248 ⇔ 255	Sin función 2700K R:156 V: 118 A: 0 B: 63 3200K R:156 V: 141 A: 5 B: 89 4200K R:156 V: 141 A: 14 B: 255 5600K R:156 V: 207 A: 54 B: 255 8000K R:130 V: 255 A: 96 B: 255 Azul R: 0 V: 0 A: 255 B: 0 R: 0 V: + A: 255 B: 0 Cian R: 0 V: 255 A: 255 B: 0 R: 0 V: 255 A: - B: 0 Verde R: 0 V: 255 A: 0 B: 0 R: + V: 255 A: 0 B: 0 Amarillo R: 255 V: 255 A: 0 B: 0 R: 255 V: - A: 0 B: 0 Rojo R: 255 V: 0 A: 0 B: 0 R: 255 V: 0 A: + B: 0 Magenta R: 255 V: 0 A: 255 B: 0 R: - V: 0 A: 255 B: 0 Azul R: 0 V: 0 A: 255 B: 0 Desplazamiento de color en sentido horario, rápido a lento Desplazamiento de color, rápido a lento

# GUÍA DE REFERENCIA RÁPIDA



ES

Canal	Función	Valor	Porcentaje/Configuración
11	Gobo	000 ⇔ 003	Sin función
		004 ⇔ 006	Gobo 1
		007 ⇔ 009	Gobo 2
		010 ⇔ 012	Gobo 3
		013 ⇔ 015	Gobo 4
		016 ⇔ 018	Gobo 5
		019 ⇔ 021	Gobo 6
		022 ⇔ 024	Gobo 7
		025 ⇔ 027	Gobo 8
		028 ⇔ 030	Gobo 9
		031 ⇔ 033	Sin Gobo
		034 ⇔ 036	Gobo 10
		037 ⇔ 039	Gobo 11
		040 ⇔ 042	Gobo 12
		043 ⇔ 045	Gobo 13
		046 ⇔ 048	Gobo 14
		049 ⇔ 051	Gobo 15
		052 ⇔ 054	Gobo 16
		055 ⇔ 057	Gobo 17
		058 ⇔ 060	Gobo 18
		061 ⇔ 063	Gobo 19
		064 ⇔ 066	Gobo 20
		067 ⇔ 069	Gobo 21
		070 ⇔ 072	Gobo 22
		073 ⇔ 075	Gobo 23
		076 ⇔ 078	Gobo 24
		079 ⇔ 081	Gobo 25
		082 ⇔ 084	Gobo 26
		085 ⇔ 087	Gobo 27
		088 ⇔ 090	Gobo 28
		091 ⇔ 093	Gobo 29
		094 ⇔ 096	Gobo 30
		097 ⇔ 099	Gobo 31
		100 ⇔ 102	Gobo 32
		103 ⇔ 105	Gobo 33
		106 ⇔ 108	Gobo 34
		109 ⇔ 111	Gobo 35
		112 ⇔ 114	Gobo 36
		115 ⇔ 117	Gobo 37
		118 ⇔ 120	Gobo 38
		121 ⇔ 123	Gobo 39
		124 ⇔ 126	Gobo 40
		127 ⇔ 129	Gobo 41
		130 ⇔ 132	Gobo 42
		133 ⇔ 135	Gobo 43
		136 ⇔ 138	Gobo 44
		139 ⇔ 141	Gobo 45
		142 ⇔ 144	Gobo 46
		145 ⇔ 147	Gobo 47
		148 ⇔ 150	Gobo 48
		151 ⇔ 153	Gobo 49
		154 ⇔ 156	Gobo 50
		157 ⇔ 159	Gobo 51
		160 ⇔ 162	Gobo 52
		163 ⇔ 165	Gobo 53
		166 ⇔ 168	Gobo 54
		169 ⇔ 171	Gobo 55
		172 ⇔ 174	Gobo 56
		175 ⇔ 177	Gobo 57
		178 ⇔ 180	Gobo 58
		181 ⇔ 183	Gobo 59
		184 ⇔ 186	Gobo 60
		187 ⇔ 189	Gobo 61
190 ⇔ 192	Gobo 62		
193 ⇔ 195	Gobo 63		

Canal	Función	Valor	Porcentaje/Configuración
<b>11</b> <b>(cont.)</b>	<b>Gobo</b> <b>(cont.)</b>	196 ⇔ 198	Gobo 64
		199 ⇔ 201	Gobo 65
		202 ⇔ 204	Gobo 66
		205 ⇔ 207	Gobo 67
		208 ⇔ 210	Gobo 68
		211 ⇔ 213	Gobo 69
		214 ⇔ 216	Gobo 70
		217 ⇔ 219	Gobo 71
		220 ⇔ 222	Gobo 72
		223 ⇔ 225	Gobo 73
		226 ⇔ 228	Gobo 74
		229 ⇔ 231	Gobo 75
		232 ⇔ 234	Gobo 76
		235 ⇔ 237	Gobo 77
		238 ⇔ 240	Gobo 78
		241 ⇔ 243	Gobo 79
		244 ⇔ 246	Gobo 80
		247 ⇔ 249	Gobo 81
		250 ⇔ 252	Gobo 82
		253 ⇔ 255	Gobo 83
<b>12</b>	<b>LED incorporado</b>	001 ⇔ 015	Sin función
		016 ⇔ 017	Incorporado 1
		018 ⇔ 019	Incorporado 2
		020 ⇔ 021	Incorporado 3
		022 ⇔ 023	Incorporado 4
		024 ⇔ 025	Incorporado 5
		026 ⇔ 027	Incorporado 6
		028 ⇔ 029	Incorporado 7
		030 ⇔ 031	Incorporado 8
		032 ⇔ 033	Incorporado 9
		034 ⇔ 035	Incorporado 10
		036 ⇔ 037	Incorporado 11
		038 ⇔ 039	Incorporado 12
		040 ⇔ 041	Incorporado 13
		042 ⇔ 043	Incorporado 14
		044 ⇔ 045	Incorporado 15
		046 ⇔ 047	Incorporado 16
		048 ⇔ 049	Incorporado 17
		050 ⇔ 051	Incorporado 18
		052 ⇔ 053	Incorporado 19
		054 ⇔ 055	Incorporado 20
		056 ⇔ 057	Incorporado 21
		058 ⇔ 059	Incorporado 22
		060 ⇔ 061	Incorporado 23
		062 ⇔ 063	Incorporado 24
		064 ⇔ 065	Incorporado 25
		066 ⇔ 067	Incorporado 26
		068 ⇔ 069	Incorporado 27
		070 ⇔ 071	Incorporado 28
		072 ⇔ 073	Incorporado 29
		074 ⇔ 075	Incorporado 30
		076 ⇔ 077	Incorporado 31
		078 ⇔ 079	Incorporado 32
		080 ⇔ 081	Incorporado 33
		082 ⇔ 083	Incorporado 34
		084 ⇔ 085	Incorporado 35
		086 ⇔ 087	Incorporado 36
		088 ⇔ 089	Incorporado 37
		090 ⇔ 091	Incorporado 38
		092 ⇔ 093	Incorporado 39
		094 ⇔ 095	Incorporado 40
		096 ⇔ 097	Incorporado 41
		098 ⇔ 099	Incorporado 42
		100 ⇔ 101	Incorporado 43
102 ⇔ 103	Incorporado 44		

# GUÍA DE REFERENCIA RÁPIDA



ES

Canal	Función	Valor	Porcentaje/Configuración
		104 ⇄ 105	Incorporado 45
		106 ⇄ 107	Incorporado 46
		108 ⇄ 109	Incorporado 47
		110 ⇄ 111	Incorporado 48
		112 ⇄ 113	Incorporado 49
		114 ⇄ 115	Incorporado 50
		116 ⇄ 117	Incorporado 51
		118 ⇄ 119	Incorporado 52
		120 ⇄ 121	Incorporado 53
		122 ⇄ 123	incorporado 54
		124 ⇄ 125	Incorporado 55
		126 ⇄ 127	Incorporado 56
		128 ⇄ 135	Incorporado 57
		136 ⇄ 137	Incorporado 58
		138 ⇄ 139	Incorporado 59
		140 ⇄ 141	Incorporado 60
		142 ⇄ 143	Incorporado 61
		144 ⇄ 145	Incorporado 62
		146 ⇄ 147	Incorporado 63
		148 ⇄ 149	Incorporado 64
		150 ⇄ 151	Incorporado 65
		152 ⇄ 153	Incorporado 66
		154 ⇄ 155	Incorporado 67
		156 ⇄ 157	Incorporado 68
		158 ⇄ 159	Incorporado 69
		160 ⇄ 161	Incorporado 70
		162 ⇄ 163	Incorporado 71
		164 ⇄ 165	Incorporado 72
		166 ⇄ 167	Incorporado 73
		168 ⇄ 169	Incorporado 74
		170 ⇄ 171	Incorporado 75
		172 ⇄ 173	Incorporado 76
		174 ⇄ 175	Incorporado 77
		176 ⇄ 177	Incorporado 78
		178 ⇄ 179	Incorporado 79
		180 ⇄ 181	Incorporado 80
		182 ⇄ 183	Incorporado 81
		184 ⇄ 185	Incorporado 82
		186 ⇄ 187	Incorporado 83
		188 ⇄ 189	Incorporado 84
		190 ⇄ 191	Incorporado 85
		192 ⇄ 193	Incorporado 86
		194 ⇄ 195	Incorporado 87
		196 ⇄ 197	Incorporado 88
		198 ⇄ 199	Incorporado 89
		200 ⇄ 201	Incorporado 90
		202 ⇄ 203	Incorporado 91
		204 ⇄ 205	Incorporado 92
		206 ⇄ 207	Incorporado 93
		208 ⇄ 209	Incorporado 94
		210 ⇄ 211	Incorporado 95
		212 ⇄ 213	Incorporado 96
		214 ⇄ 215	Incorporado 97
		216 ⇄ 217	Incorporado 98
		218 ⇄ 219	Incorporado 99
		220 ⇄ 221	Incorporado 100
		222 ⇄ 223	Incorporado 101
		224 ⇄ 225	Incorporado 102
		226 ⇄ 227	Incorporado 103
		228 ⇄ 229	Incorporado 104
		230 ⇄ 231	Incorporado 105
		232 ⇄ 233	Incorporado 106
		234 ⇄ 235	Incorporado 107
		236 ⇄ 237	Incorporado 108
		238 ⇄ 239	Incorporado 109
<b>12 (cont.)</b>	<b>LED Incorporado (cont.)</b>		

Canal	Función	Valor	Porcentaje/Configuración		
<b>12</b> (cont.)	<b>LED Incorporado</b> (cont.)	240 ⇔ 241	Incorporado 110		
		242 ⇔ 243	Incorporado 111		
		244 ⇔ 245	Incorporado 112		
		246 ⇔ 247	Incorporado 113		
		248 ⇔ 255	Incorporado 114		
<b>13</b>	<b>Velocidad LED</b> <b>incorporado</b>	001 ⇔ 127	Giro en sentido horario, rápido a lento		
		128	Stop		
		129 ⇔ 255	Giro en sentido antihorario, lento a rápido		
<b>14</b>	<b>LED incorporado de</b> <b>delay</b>	000 ⇔ 255	Rápido a lento		
<b>15</b>	<b>Fondo Macro de Color</b>	000	Sin función		
		001 ⇔ 002	2700K R:156 V: 118 A: 0 B: 63		
		003 ⇔ 004	3200K R:156 V: 141 A: 5 B: 89		
		005 ⇔ 006	4200K R:156 V: 141 A: 14 B: 255		
		007 ⇔ 008	5600K R:156 V: 207 A: 54 B: 255		
		009 ⇔ 010	8000K R:130 V: 255 A: 96 B: 255		
		11	Azul R: 0 V: 0 A: 255 B: 0		
		012 ⇔ 048	R: 0 V: + A: 255 B: 0		
		049	Cian R: 0 V: 255 A: 255 B: 0		
		050 ⇔ 086	R: 0 V: 255 A: - B: 0		
		087	Verde R: 0 V: 255 A: 0 B: 0		
		088 ⇔ 124	R: + V: 255 A: 0 B: 0		
		125	Amarillo R: 255 V: 255 A: 0 B: 0		
		126 ⇔ 162	R: 255 V: - A: 0 B: 0		
		163	Rojo R: 255 V: 0 A: 0 B: 0		
		164 ⇔ 200	R: 255 V: 0 A: + B: 0		
		201	Magenta R: 255 V: 0 A: 255 B: 0		
		202 ⇔ 238	R: - V: 0 A: 255 B: 0		
		239	Azul R: 0 V: 0 A: 255 B: 0		
		240 ⇔ 247	Desplazamiento de color en sentido horario, rápido a lento		
		248 ⇔ 255	Desplazamiento de color, rápido a lento		
		<b>16</b>	<b>Fondo Color Atenuador</b>	000 ⇔ 255	0-100%
		<b>17</b>	<b>Fondo Rojo</b>	000 ⇔ 255	0-100%
<b>18</b>	<b>Fondo Verde</b>	000 ⇔ 255	0-100%		
<b>19</b>	<b>Fondo Azul</b>	000 ⇔ 255	0-100%		
<b>20</b>	<b>Fondo Blanco</b>	000 ⇔ 255	0-100%		
<b>21</b>	<b>Zoom</b>	000 ⇔ 255	0-100%		
<b>22</b>	<b>Control</b>	001 ⇔ 009	Sin función		
		010 ⇔ 014	Blackout durante desplazamiento lateral/inclinación (mantener 5 s)		
		015 ⇔ 019	Sin función		
		020 ⇔ 024	La mezcla de color RGBW		
		025 ⇔ 029	La mezcla de color CMY		
		030 ⇔ 034	Sin función		
		035 ⇔ 039	Sin función		
		040 ⇔ 044	Sin función		
		045 ⇔ 049	Sin función		
		050 ⇔ 054	Reiniciar inclinación (mantener 5 s)		
		055 ⇔ 059	Reiniciar desplazamiento lateral (mantener 5 s)		
		060 ⇔ 064	Reinicio del zoom (mantener 5 s)		
		065 ⇔ 069	Sin función		
		070 ⇔ 074	Reiniciar todo (mantener 5 s)		
		075 ⇔ 079	Sin función		
		080 ⇔ 084	Invertir movimiento lateral/inclinación (mantener 5 s)		
		085 ⇔ 089	Invertir movimiento lateral (mantener 5 s)		
		090 ⇔ 094	Invertir movimiento de inclinación (mantener 5 s)		
		095 ⇔ 099	Desactivar inversión del movimiento lateral (mantener 5 s)		
		100 ⇔ 104	Desactivar inversión del movimiento de inclinación (mantener 5 s)		

Canal	Función	Valor	Porcentaje/Configuración
<b>22</b> <b>(cont.)</b>	<b>Control</b> <b>(cont.)</b>	105 ⇔ 109	Desactivar inversión del movimiento lateral/inclinación (mantener 5 s)
		110 ⇔ 114	Sin función
		115 ⇔ 119	Sin función
		120 ⇔ 124	Ventilador de economía (mantener 5 s)
		125 ⇔ 129	Ventilador al máximo (mantener 5 s)
		130 ⇔ 134	Ventilador automático (mantener 5 s)
		135 ⇔ 139	Curva de atenuador rápida (mantener 5 s)
		140 ⇔ 144	Curva de atenuador suave (mantener 5 s)
		145 ⇔ 149	Curva lineal
		150 ⇔ 154	Curva cuadrada
		155 ⇔ 159	I curva cuadrada
		160 ⇔ 164	Scurva
		165 ⇔ 169	Modo blanco encendido
		170 ⇔ 174	Modo blanco apagado
		145 ⇔ 255	Sin función
<b>23</b>	<b>Rojo (Cian)</b>	000 ⇔ 255	0-100%
<b>24</b>	<b>Verde (Magenta)</b>	000 ⇔ 255	0-100%
<b>25</b>	<b>Azul (Amarillo)</b>	000 ⇔ 255	0-100%
<b>26</b>	<b>Blanco</b>	000 ⇔ 255	0-100%
<b>27</b>	<b>Rojo 1 (Cian)</b>	000 ⇔ 255	0-100%
<b>28</b>	<b>Verde 1 (Magenta)</b>	000 ⇔ 255	0-100%
<b>29</b>	<b>Azul 1 (Amarillo)</b>	000 ⇔ 255	0-100%
<b>30</b>	<b>Blanco 1</b>	000 ⇔ 255	0-100%
<b>31</b>	<b>Rojo 2 (Cian)</b>	000 ⇔ 255	0-100%
<b>32</b>	<b>Verde 2 (Magenta)</b>	000 ⇔ 255	0-100%
<b>33</b>	<b>Azul 2 (Amarillo)</b>	000 ⇔ 255	0-100%
<b>34</b>	<b>Blanco 2</b>	000 ⇔ 255	0-100%
<b>35</b>	<b>Rojo 3 (Cian)</b>	000 ⇔ 255	0-100%
<b>36</b>	<b>Verde 3 (Magenta)</b>	000 ⇔ 255	0-100%
<b>37</b>	<b>Azul 3 (Amarillo)</b>	000 ⇔ 255	0-100%
<b>38</b>	<b>Blanco 3</b>	000 ⇔ 255	0-100%
<b>39</b>	<b>Rojo 4 (Cian)</b>	000 ⇔ 255	0-100%
<b>40</b>	<b>Verde 4 (Magenta)</b>	000 ⇔ 255	0-100%
<b>41</b>	<b>Azul 4 (Amarillo)</b>	000 ⇔ 255	0-100%
<b>42</b>	<b>Blanco 4</b>	000 ⇔ 255	0-100%
<b>43</b>	<b>Rojo 5 (Cian)</b>	000 ⇔ 255	0-100%
<b>44</b>	<b>Verde 5 (Magenta)</b>	000 ⇔ 255	0-100%
<b>45</b>	<b>Azul 5 (Amarillo)</b>	000 ⇔ 255	0-100%
<b>46</b>	<b>Blanco 5</b>	000 ⇔ 255	0-100%
<b>47</b>	<b>Rojo 6 (Cian)</b>	000 ⇔ 255	0-100%
<b>48</b>	<b>Verde 6 (Magenta)</b>	000 ⇔ 255	0-100%
<b>49</b>	<b>Azul 6 (Amarillo)</b>	000 ⇔ 255	0-100%
<b>50</b>	<b>Blanco 6</b>	000 ⇔ 255	0-100%
<b>51</b>	<b>Rojo 7 (Cian)</b>	000 ⇔ 255	0-100%
<b>52</b>	<b>Verde 7 (Magenta)</b>	000 ⇔ 255	0-100%
<b>53</b>	<b>Azul 7 (Amarillo)</b>	000 ⇔ 255	0-100%
<b>54</b>	<b>Blanco 7</b>	000 ⇔ 255	0-100%
<b>55</b>	<b>Rojo 8 (Cian)</b>	000 ⇔ 255	0-100%
<b>56</b>	<b>Verde 8 (Magenta)</b>	000 ⇔ 255	0-100%
<b>57</b>	<b>Azul 8 (Amarillo)</b>	000 ⇔ 255	0-100%
<b>58</b>	<b>Blanco 8</b>	000 ⇔ 255	0-100%
<b>59</b>	<b>Rojo 9 (Cian)</b>	000 ⇔ 255	0-100%
<b>60</b>	<b>Verde 9 (Magenta)</b>	000 ⇔ 255	0-100%
<b>61</b>	<b>Azul 9 (Amarillo)</b>	000 ⇔ 255	0-100%
<b>62</b>	<b>Blanco 9</b>	000 ⇔ 255	0-100%

**21CH**

Canal	Función	Valor	Porcentaje/Configuración
1	<b>Desplazamiento Lateral</b>	000 ⇔ 255	0-100%
2	<b>Desplazamiento Lateral Fino</b>	000 ⇔ 255	Nítido control (16-bit)
3	<b>Inclinación</b>	000 ⇔ 255	0-100%
4	<b>Inclinación Fina</b>	000 ⇔ 255	Nítido control (16-bit)
5	<b>Velocidad Desplazamiento Lateral/Inclinación</b>	000 ⇔ 255	0-100%
6	<b>Atenuador</b>	000 ⇔ 255	0-100%
7	<b>Obturador</b>	000 ⇔ 019	Cerrado
		020 ⇔ 024	Abierto
		025 ⇔ 064	Lento a rápido
		065 ⇔ 069	Abierto
		070 ⇔ 084	Encendido rápido/apagado gradual
		085 ⇔ 089	Abierto
		090 ⇔ 104	Apagado gradual/encendido rápido
		105 ⇔ 109	Abierto
		110 ⇔ 124	Aleatorio
		125 ⇔ 129	Abierto
		130 ⇔ 144	Encendido rápido aleatorio/apagado gradual
		145 ⇔ 149	Abierto
		150 ⇔ 164	Encendido lento aleatorio/apagado rápido
		165 ⇔ 169	Abierto
		170 ⇔ 184	Pulso
		185 ⇔ 189	Abierto
		190 ⇔ 204	Pulso aleatorio
		205 ⇔ 209	Abierto
		210 ⇔ 224	Fade on/off
		225 ⇔ 229	Abierto
230 ⇔ 244	Pulso		
245 ⇔ 255	Abierto		
8	<b>CTC</b>	000	Sin función
		001 ⇔ 255	2800K to 10,000K
9	<b>Color</b>	000	Sin función
		001 ⇔ 002	2700K R:156 V: 118 A: 0 B: 63
		003 ⇔ 004	3200K R:156 V: 141 A: 5 B: 89
		005 ⇔ 006	4200K R:156 V: 141 A: 14 B: 255
		007 ⇔ 008	5600K R:156 V: 207 A: 54 B: 255
		009 ⇔ 010	8000K R:130 V: 255 A: 96 B: 255
		11	Azul R: 0 V: 0 A: 255 B: 0
		012 ⇔ 048	R: 0 V: + A: 255 B: 0
		049	Cian R: 0 V: 255 A: 255 B: 0
		050 ⇔ 086	R: 0 V: 255 A: - B: 0
		087	Verde R: 0 V: 255 A: 0 B: 0
		088 ⇔ 124	R: + V: 255 A: 0 B: 0
		125	Amarillo R: 255 V: 255 A: 0 B: 0
		126 ⇔ 162	R: 255 V: - A: 0 B: 0
		163	Rojo R: 255 V: 0 A: 0 B: 0
		164 ⇔ 200	R: 255 V: 0 A: + B: 0
		201	Magenta R: 255 V: 0 A: 255 B: 0
		202 ⇔ 238	R: - V: 0 A: 255 B: 0
		239	Azul R: 0 V: 0 A: 255 B: 0
		240 ⇔ 247	Desplazamiento de color en sentido horario, rápido a lento
248 ⇔ 255	Desplazamiento de color, rápido a lento		

# GUÍA DE REFERENCIA RÁPIDA



ES

Canal	Función	Valor	Porcentaje/Configuración
		000 ⇔ 003	Sin función
		004 ⇔ 006	Gobo 1
		007 ⇔ 009	Gobo 2
		010 ⇔ 012	Gobo 3
		013 ⇔ 015	Gobo 4
		016 ⇔ 018	Gobo 5
		019 ⇔ 021	Gobo 6
		022 ⇔ 024	Gobo 7
		025 ⇔ 027	Gobo 8
		028 ⇔ 030	Gobo 9
		031 ⇔ 033	Sin Gobo
		034 ⇔ 036	Gobo 10
		037 ⇔ 039	Gobo 11
		040 ⇔ 042	Gobo 12
		043 ⇔ 045	Gobo 13
		046 ⇔ 048	Gobo 14
		049 ⇔ 051	Gobo 15
		052 ⇔ 054	Gobo 16
		055 ⇔ 057	Gobo 17
		058 ⇔ 060	Gobo 18
		061 ⇔ 063	Gobo 19
		064 ⇔ 066	Gobo 20
		067 ⇔ 069	Gobo 21
		070 ⇔ 072	Gobo 22
		073 ⇔ 075	Gobo 23
		076 ⇔ 078	Gobo 24
		079 ⇔ 081	Gobo 25
		082 ⇔ 084	Gobo 26
		085 ⇔ 087	Gobo 27
		088 ⇔ 090	Gobo 28
		091 ⇔ 093	Gobo 29
		094 ⇔ 096	Gobo 30
10	Gobo	097 ⇔ 099	Gobo 31
		100 ⇔ 102	Gobo 32
		103 ⇔ 105	Gobo 33
		106 ⇔ 108	Gobo 34
		109 ⇔ 111	Gobo 35
		112 ⇔ 114	Gobo 36
		115 ⇔ 117	Gobo 37
		118 ⇔ 120	Gobo 38
		121 ⇔ 123	Gobo 39
		124 ⇔ 126	Gobo 40
		127 ⇔ 129	Gobo 41
		130 ⇔ 132	Gobo 42
		133 ⇔ 135	Gobo 43
		136 ⇔ 138	Gobo 44
		139 ⇔ 141	Gobo 45
		142 ⇔ 144	Gobo 46
		145 ⇔ 147	Gobo 47
		148 ⇔ 150	Gobo 48
		151 ⇔ 153	Gobo 49
		154 ⇔ 156	Gobo 50
		157 ⇔ 159	Gobo 51
		160 ⇔ 162	Gobo 52
		163 ⇔ 165	Gobo 53
		166 ⇔ 168	Gobo 54
		169 ⇔ 171	Gobo 55
		172 ⇔ 174	Gobo 56
		175 ⇔ 177	Gobo 57
		178 ⇔ 180	Gobo 58
		181 ⇔ 183	Gobo 59
		184 ⇔ 186	Gobo 60
		187 ⇔ 189	Gobo 61
		190 ⇔ 192	Gobo 62
		193 ⇔ 195	Gobo 63



Canal	Función	Valor	Porcentaje/Configuración
<b>10 (cont.)</b>	<b>Gobo (cont.)</b>	196 ⇔ 198	Gobo 64
		199 ⇔ 201	Gobo 65
		202 ⇔ 204	Gobo 66
		205 ⇔ 207	Gobo 67
		208 ⇔ 210	Gobo 68
		211 ⇔ 213	Gobo 69
		214 ⇔ 216	Gobo 70
		217 ⇔ 219	Gobo 71
		220 ⇔ 222	Gobo 72
		223 ⇔ 225	Gobo 73
		226 ⇔ 228	Gobo 74
		229 ⇔ 231	Gobo 75
		232 ⇔ 234	Gobo 76
		235 ⇔ 237	Gobo 77
		238 ⇔ 240	Gobo 78
		241 ⇔ 243	Gobo 79
		244 ⇔ 246	Gobo 80
247 ⇔ 249	Gobo 81		
250 ⇔ 252	Gobo 82		
253 ⇔ 255	Gobo 83		
<b>11</b>	<b>LED incorporado</b>	001 ⇔ 015	Sin función
		016 ⇔ 017	Incorporado 1
		018 ⇔ 019	Incorporado 2
		020 ⇔ 021	Incorporado 3
		022 ⇔ 023	Incorporado 4
		024 ⇔ 025	Incorporado 5
		026 ⇔ 027	Incorporado 6
		028 ⇔ 029	Incorporado 7
		030 ⇔ 031	Incorporado 8
		032 ⇔ 033	Incorporado 9
		034 ⇔ 035	Incorporado 10
		036 ⇔ 037	Incorporado 11
		038 ⇔ 039	Incorporado 12
		040 ⇔ 041	Incorporado 13
		042 ⇔ 043	Incorporado 14
		044 ⇔ 045	Incorporado 15
		046 ⇔ 047	Incorporado 16
		048 ⇔ 049	Incorporado 17
		050 ⇔ 051	Incorporado 18
		052 ⇔ 053	Incorporado 19
		054 ⇔ 055	Incorporado 20
		056 ⇔ 057	Incorporado 21
		058 ⇔ 059	Incorporado 22
		060 ⇔ 061	Incorporado 23
		062 ⇔ 063	Incorporado 24
		064 ⇔ 065	Incorporado 25
		066 ⇔ 067	Incorporado 26
		068 ⇔ 069	Incorporado 27
		070 ⇔ 071	Incorporado 28
		072 ⇔ 073	Incorporado 29
		074 ⇔ 075	Incorporado 30
		076 ⇔ 077	Incorporado 31
		078 ⇔ 079	Incorporado 32
		080 ⇔ 081	Incorporado 33
082 ⇔ 083	Incorporado 34		
084 ⇔ 085	Incorporado 35		
086 ⇔ 087	Incorporado 36		
088 ⇔ 089	Incorporado 37		
090 ⇔ 091	Incorporado 38		
092 ⇔ 093	Incorporado 39		
094 ⇔ 095	Incorporado 40		
096 ⇔ 097	Incorporado 41		
098 ⇔ 099	Incorporado 42		
100 ⇔ 101	Incorporado 43		
102 ⇔ 103	Incorporado 44		

# GUÍA DE REFERENCIA RÁPIDA



ES

Canal	Función	Valor	Porcentaje/Configuración
		104 ⇔ 105	Incorporado 45
		106 ⇔ 107	Incorporado 46
		108 ⇔ 109	Incorporado 47
		110 ⇔ 111	Incorporado 48
		112 ⇔ 113	Incorporado 49
		114 ⇔ 115	Incorporado 50
		116 ⇔ 117	Incorporado 51
		118 ⇔ 119	Incorporado 52
		120 ⇔ 121	Incorporado 53
		122 ⇔ 123	incorporado 54
		124 ⇔ 125	Incorporado 55
		126 ⇔ 127	Incorporado 56
		128 ⇔ 135	Incorporado 57
		136 ⇔ 137	Incorporado 58
		138 ⇔ 139	Incorporado 59
		140 ⇔ 141	Incorporado 60
		142 ⇔ 143	Incorporado 61
		144 ⇔ 145	Incorporado 62
		146 ⇔ 147	Incorporado 63
		148 ⇔ 149	Incorporado 64
		150 ⇔ 151	Incorporado 65
		152 ⇔ 153	Incorporado 66
		154 ⇔ 155	Incorporado 67
		156 ⇔ 157	Incorporado 68
		158 ⇔ 159	Incorporado 69
		160 ⇔ 161	Incorporado 70
		162 ⇔ 163	Incorporado 71
		164 ⇔ 165	Incorporado 72
		166 ⇔ 167	Incorporado 73
		168 ⇔ 169	Incorporado 74
		170 ⇔ 171	Incorporado 75
		172 ⇔ 173	Incorporado 76
		174 ⇔ 175	Incorporado 77
		176 ⇔ 177	Incorporado 78
		178 ⇔ 179	Incorporado 79
		180 ⇔ 181	Incorporado 80
		182 ⇔ 183	Incorporado 81
		184 ⇔ 185	Incorporado 82
		186 ⇔ 187	Incorporado 83
		188 ⇔ 189	Incorporado 84
		190 ⇔ 191	Incorporado 85
		192 ⇔ 193	Incorporado 86
		194 ⇔ 195	Incorporado 87
		196 ⇔ 197	Incorporado 88
		198 ⇔ 199	Incorporado 89
		200 ⇔ 201	Incorporado 90
		202 ⇔ 203	Incorporado 91
		204 ⇔ 205	Incorporado 92
		206 ⇔ 207	Incorporado 93
		208 ⇔ 209	Incorporado 94
		210 ⇔ 211	Incorporado 95
		212 ⇔ 213	Incorporado 96
		214 ⇔ 215	Incorporado 97
		216 ⇔ 217	Incorporado 98
		218 ⇔ 219	Incorporado 99
		220 ⇔ 221	Incorporado 100
		222 ⇔ 223	Incorporado 101
		224 ⇔ 225	Incorporado 102
		226 ⇔ 227	Incorporado 103
		228 ⇔ 229	Incorporado 104
		230 ⇔ 231	Incorporado 105
		232 ⇔ 233	Incorporado 106
		234 ⇔ 235	Incorporado 107
		236 ⇔ 237	Incorporado 108
		238 ⇔ 239	Incorporado 109
		240 ⇔ 241	Incorporado 110
<b>11 (cont.)</b>	<b>LED Incorporado (cont.)</b>		

Canal	Función	Valor	Porcentaje/Configuración
<b>11</b> <b>(cont.)</b>	<b>LED Incorporado</b> <b>(cont.)</b>	242 ⇔ 243	Incorporado 111
		244 ⇔ 245	Incorporado 112
		246 ⇔ 247	Incorporado 113
		248 ⇔ 255	Incorporado 114
<b>12</b>	<b>Velocidad LED</b> <b>incorporado</b>	001 ⇔ 127	Giro en sentido horario, rápido a lento
		128	Stop
		129 ⇔ 255	Giro en sentido antihorario, lento a rápido
<b>13</b>	<b>LED incorporado de delay</b>	000 ⇔ 255	Rápido a lento
<b>14</b>	<b>Fondo Macro de Color</b>	000	Sin función
		001 ⇔ 002	2700K R:156 V: 118 A: 0 B: 63
		003 ⇔ 004	3200K R:156 V: 141 A: 5 B: 89
		005 ⇔ 006	4200K R:156 V: 141 A: 14 B: 255
		007 ⇔ 008	5600K R:156 V: 207 A: 54 B: 255
		009 ⇔ 010	8000K R:130 V: 255 A: 96 B: 255
		11	Azul R: 0 V: 0 A: 255 B: 0
		012 ⇔ 048	R: 0 V: + A: 255 B: 0
		049	Cian R: 0 V: 255 A: 255 B: 0
		050 ⇔ 086	R: 0 V: 255 A: - B: 0
		087	Verde R: 0 V: 255 A: 0 B: 0
		088 ⇔ 124	R: + V: 255 A: 0 B: 0
		125	Amarillo R: 255 V: 255 A: 0 B: 0
		126 ⇔ 162	R: 255 V: - A: 0 B: 0
		163	Rojo R: 255 V: 0 A: 0 B: 0
		164 ⇔ 200	R: 255 V: 0 A: + B: 0
		201	Magenta R: 255 V: 0 A: 255 B: 0
		202 ⇔ 238	R: - V: 0 A: 255 B: 0
		239	Azul R: 0 V: 0 A: 255 B: 0
		240 ⇔ 247	Desplazamiento de color en sentido horario, rápido a lento
		248 ⇔ 255	Desplazamiento de color, rápido a lento
<b>15</b>	<b>Fondo Color Atenuador</b>	000 ⇔ 255	0-100%
<b>16</b>	<b>Zoom</b>	000 ⇔ 255	0-100%

Canal	Función	Valor	Porcentaje/Configuración
17	Control	001 ⇔ 009	Sin función
		010 ⇔ 014	Blackout durante desplazamiento lateral/inclinación (mantener 5 s)
		015 ⇔ 019	Sin función
		020 ⇔ 024	La mezcla de color RGBW
		025 ⇔ 029	La mezcla de color CMY
		030 ⇔ 034	Sin función
		035 ⇔ 039	Sin función
		040 ⇔ 044	Sin función
		045 ⇔ 049	Sin función
		050 ⇔ 054	Reiniciar inclinación (mantener 5 s)
		055 ⇔ 059	Reiniciar desplazamiento lateral (mantener 5 s)
		060 ⇔ 064	Reinicio del zoom (mantener 5 s)
		065 ⇔ 069	Sin función
		070 ⇔ 074	Reiniciar todo (mantener 5 s)
		075 ⇔ 079	Sin función
		080 ⇔ 084	Invertir movimiento lateral/inclinación (mantener 5 s)
		085 ⇔ 089	Invertir movimiento lateral (mantener 5 s)
		090 ⇔ 094	Invertir movimiento de inclinación (mantener 5 s)
		095 ⇔ 099	Desactivar inversión del movimiento lateral (mantener 5 s)
		100 ⇔ 104	Desactivar inversión del movimiento de inclinación (mantener 5 s)
		105 ⇔ 109	Desactivar inversión del movimiento lateral/inclinación (mantener 5 s)
		110 ⇔ 114	Sin función
		115 ⇔ 119	Sin función
		120 ⇔ 124	Ventilador de economía (mantener 5 s)
		125 ⇔ 129	Ventilador al máximo (mantener 5 s)
		130 ⇔ 134	Ventilador automático (mantener 5 s)
		135 ⇔ 139	Curva de atenuador rápida (mantener 5 s)
140 ⇔ 144	Curva de atenuador suave (mantener 5 s)		
145 ⇔ 149	Curva lineal		
150 ⇔ 154	Curva cuadrada		
155 ⇔ 159	I curva cuadrada		
160 ⇔ 164	Scurva		
165 ⇔ 169	Modo blanco encendido		
170 ⇔ 174	Modo blanco apagado		
145 ⇔ 255	Sin función		
18	Rojo (Cian)	000 ⇔ 255	0-100%
19	Verde (Magenta)	000 ⇔ 255	0-100%
20	Azul (Amarillo)	000 ⇔ 255	0-100%
21	Blanco	000 ⇔ 255	0-100%

## À Propos de ce Manuel

Le Manuel de Référence du Rogue R3X Wash (MdR) reprend des informations de base sur cet appareil notamment en matière de connexions, montage, options de menu et valeurs DMX. Télécharger le Manuel d'Utilisation sur [www.chauvetprofessional.com](http://www.chauvetprofessional.com) pour de plus amples informations.

### Clause de Non-Responsabilité

Les informations et caractéristiques contenues dans ce manuel sont sujettes à changement sans préavis.

### GARANTIE LIMITÉE

**VEUILLEZ VISITER NOTRE SITE INTERNET POUR CONSULTER LES MODALITÉS D'ENREGISTREMENT DE LA GARANTIE ET LES CONDITIONS GÉNÉRALES COMPLÈTES.**

**Pour les clients aux États-Unis et au Mexique:** [www.chauvetlighting.com/warranty-registration](http://www.chauvetlighting.com/warranty-registration).

**Pour les clients du Royaume-Uni, de la République d'Irlande, de la Belgique, des Pays-Bas, du Luxembourg, de la France et de l'Allemagne:** [www.chauvetlighting.eu/warranty-registration](http://www.chauvetlighting.eu/warranty-registration).

Chauvet garantit que cet appareil est exempt de défauts de matériaux et de fabrication dans des conditions normales d'utilisation, pendant la période spécifiée dans la garantie limitée complète consultable sur notre site Internet et sous réserve des exclusions et limitations qui y sont énoncées. Cette garantie ne s'applique qu'à l'acheteur initial du produit et n'est pas transférable. Pour exercer les droits prévus par cette garantie, vous devez fournir une preuve d'achat sous la forme d'un reçu de vente original d'un revendeur autorisé qui indique le nom du produit et la date d'achat. IL N'EXISTE AUCUNE AUTRE GARANTIE EXPRESSE OU IMPLICITE. Cette garantie vous confère des droits légaux spécifique. Vous pouvez également bénéficier d'autres droits qui varient selon les états et les pays. Cette garantie n'est valable qu'aux États-Unis, au Royaume-Uni, en République d'Irlande, en Belgique, aux Pays-Bas, au Luxembourg, en France, en Allemagne et au Mexique. Pour connaître les conditions de garantie dans d'autres pays, veuillez consulter votre revendeur local.

### Consignes de Sécurité

- N'ouvrez PAS cet appareil. Il ne contient aucun composant susceptible d'être réparé par l'utilisateur.
- Ne regardez PAS la source lumineuse lorsque le produit fonctionne.
- Durant les périodes de non-utilisation, pour éviter toute usure inutile et pour prolonger la durée de vie, déconnectez entièrement l'appareil en le débranchant de l'alimentation électrique ou en coupant le disjoncteur.
- ATTENTION : Lorsque l'appareil est transféré d'un environnement à température extrême à un autre (par exemple d'un camion froid vers une salle de bal chaude et humide), de la condensation peut se former sur les composants électriques internes. Pour éviter de causer des dommages, laissez l'appareil s'acclimater entièrement au milieu environnant avant de le mettre sous tension.
- ATTENTION : le boîtier de ce produit peut s'avérer brûlant lors du fonctionnement.
- Montez toujours ce produit dans un endroit bien ventilé, à au moins 50 cm (20 pouces) des surfaces adjacentes.
- Ne laissez AUCUNE source inflammable dans un rayon de 20 cm du produit lorsque celui-ci fonctionne.
- Utilisez TOUJOURS un câble de sécurité lorsque vous montez ce produit en hauteur.
- N'utilisez PAS cet appareil en extérieur ou tout autre endroit où de la poussière, une chaleur excessive, de l'eau ou de l'humidité pourrait en affecter le fonctionnement. (IP20)
- N'utilisez PAS cet appareil si le boîtier, les lentilles ou les câbles vous semblent endommagés.
- Ne connectez ce produit NI à un gradateur NI à un rhéostat.
- Connectez UNIQUEMENT cet appareil à un circuit protégé et relié à la terre.
- N'utilisez QUE les lyres de suspension ou les poignées pour transporter cet appareil. Ne transportez jamais cet appareil par sa lyre asservie.
- En cas de sérieux problèmes de fonctionnement, arrêtez le système immédiatement.
- La température ambiante maximale doit être de 113° F (45° C). Ne le faites pas fonctionner à des températures plus élevées.
- Le luminaire doit être placé de manière à ce qu'il ne soit pas possible de le regarder de manière fixe à une distance inférieure à 7,7 m".
- Si le câble ou le cordon flexible externe de ce luminaire est endommagé, il doit être remplacé par un câble ou cordon spécial disponible exclusivement auprès du fabricant ou de son prestataire de service.
- La source lumineuse contenue dans ce luminaire ne peut être remplacée que par le fabricant ou son prestataire de service ou une personne suffisamment qualifiée.
- Ce luminaire est uniquement réservé à un usage professionnel.

### Conformité FCC

Cet appareil est conforme à la partie 15, sous-partie B du règlement de la FCC. L'utilisation est soumise aux deux conditions suivantes :

1. Cet appareil ne doit pas causer d'interférences nuisibles, et
2. Cet appareil doit accepter toutes les interférences reçues, y compris celles pouvant entraîner un fonctionnement indésirable.

Tout changement ou modification non expressément approuvé par l'autorité responsable de la conformité pourrait annuler le droit de l'utilisateur à utiliser l'équipement.

### Contact

En dehors des États-Unis, du Royaume-Uni, de l'Irlande, du Benelux, de la France, de l'Allemagne, ou du Mexique, contactez votre fournisseur si vous avez besoin d'assistance ou pour retourner un appareil. Référez-vous à [Contact Us](#) à la fin de ce MdR pour obtenir des informations pour nous contacter.

**Ce Qui est Inclus**

- Rogue R3X Wash avec écran anti-éblouissement
- Cordon d'Alimentation Neutrik® powerCON®
- 2 Fixations Omega
- Manuel de Référence

**Alimentation CA**

Cet appareil est doté d'une alimentation universelle prenant en charge toute tension d'entrée comprise entre 100 et 240 VCA, 50/60 Hz.

**Connexion Électrique**

Vous pouvez connecter jusqu'à 2 Rogue R3X Wash à 100/120 V ou 4 unités à 20/230/240 V. Vous pouvez vous procurer séparément des cordons d'alimentation.

**Prise CA**

Connexion	Câble (États-Unis)	Câble (Europe)	Couleur de la vis
Conducteur CA	Noir	Marron	Jaune/Cuivré
Neutre CA	Blanc	Bleu	Argenté
Terre CA	Vert/Jaune	Vert/Jaune	Vert



**Durant les périodes de non-utilisation, pour éviter toute usure inutile et pour prolonger la durée de vie, déconnectez-entièrement l'appareil en le débranchant de l'alimentation électrique ou en coupant le disjoncteur.**

**Remplacement du Fusible**

1. Débranchez l'appareil de l'alimentation.
2. À l'aide d'un tournevis à tête plate, dévissez le couvercle du porte-fusible du boîtier.
3. Retirez le fusil obsolète et remplacez-le par un fusible en bon état de même type et ampérage.
4. Revissez le couvercle du porte-fusible et rebranchez l'unité.

**Raccordement DMX**

Le Rogue R3X Wash fonctionnera avec une console DMX au moyen d'une connexion série DMX à 3 ou 5 broches. Une introduction au DMX est à votre disposition sur [www.chauvetprofessional.com](http://www.chauvetprofessional.com).

**Connexion DMX**

Le Rogue R3X Wash utilise une connexion de données DMX standard pour ses personnalités DMX : **21CH**, **62CH**, **71CH**, et **107CH**. Consultez le Manuel d'Utilisation pour connecter et configurer le système DMX.

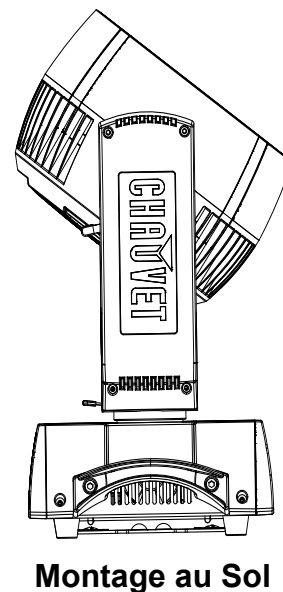
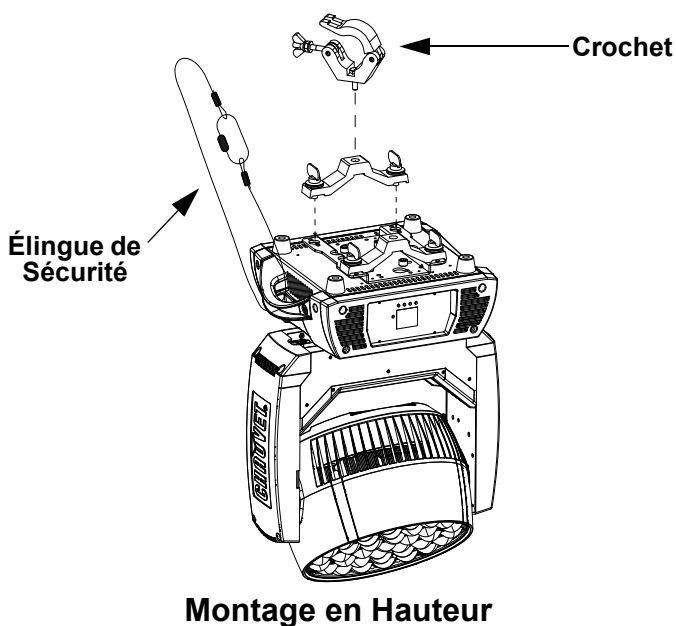
**RDM (Gestion des périphériques à distance)**

Le protocole RDM (gestion des périphériques à distance) est un standard pour la communication bidirectionnelle des appareils dotés de fonctions DMX dans un câblage DMX existant. Le Rogue R3X Wash supporte le protocole RDM permettant un retour d'information pour la surveillance et des changements des options de menu. Veuillez télécharger le manuel de l'utilisateur à partir du site internet [www.chauvetprofessional.com](http://www.chauvetprofessional.com) pour plus de détails.

**Installation**

Avant de monter cet appareil, lisez et assimilez les [Consignes de Sécurité](#). Utilisez au moins un point de fixation par appareil. Soyez sûr que les crochets sont capables de supporter le poids du produit. Pour voir notre gamme de crochets, rendez-vous sur <http://trusst.com/productcategory/truss-clamps>.

**Schéma de Montage de l'Appareil**



**Description du Tableau de Commandes**

Bouton	Fonction
<MENU>	Permet la sortie du menu ou de la fonction en cours
<ENTER>	Permet l'affichage du menu en cours ou permet de configurer la valeur en cours dans la fonction sélectionnée
<UP>	Permet de parcourir les listes de menu vers le haut, dans une fonction permet d'augmenter les valeurs numériques
<DOWN>	Permet de parcourir les listes de menu vers le bas, dans une fonction permet de diminuer les valeurs numériques

**Tableau de Menu**

 Reportez-vous à la page du produit Rogue R3X Wash sur [www.chauvetprofessional.com](http://www.chauvetprofessional.com) pour la dernière carte des menu.

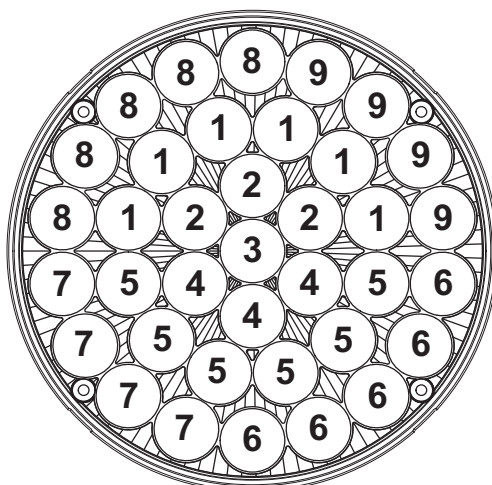
Niveau Principal	Niveaux de Programmation		Description	
<b>Address</b>	<b>001-512</b>		Configure l'adresse DMX de départ	
<b>Running Mode</b>	<b>DMX</b>	<b>21</b>	Sélectionne le mode DMX	
		<b>62</b>		
		<b>71</b>		
		<b>107</b>		
	<b>Auto Test</b>		Lance la séquence de test de l'appareil	
	<b>Manual Test</b>	<b>Pan</b>	<b>000-255</b>	Permet de commander manuellement tous les paramètres du panneau de commande
		<b>Tilt</b>		
		<b>P/T Speed</b>		
		<b>Red</b>		
		<b>Green</b>		
		<b>Blue</b>		
		<b>White</b>		
		<b>CTC</b>		
		<b>Color</b>		
		<b>Pattern</b>		
<b>LED Macro</b>				
<b>LED Ma. Speed</b>				
<b>LED Ma. Fade</b>				
<b>Background</b>				
<b>Background Dim.</b>				
<b>Dimmer</b>				
<b>Shutter</b>				
<b>Zoom</b>				
<b>Setup</b>	<b>Pan Reverse</b>	<b>OFF</b>	Fonctionnement inversé du pan	
		<b>ON</b>	Fonctionnement normal du pan	
	<b>Tilt Reverse</b>	<b>OFF</b>	Fonctionnement inversé du tilt	
		<b>ON</b>	Fonctionnement normal du tilt	
	<b>Zoom Reverse</b>	<b>OFF</b>	Fonctionnement inversé du zoom	
		<b>ON</b>	Fonctionnement normal du zoom	
	<b>Pan Angle</b>	<b>540</b>	Sélectionne une plage d'angle de pan à 540°	
		<b>360</b>	Sélectionne une plage d'angle de pan à 360°	
		<b>180</b>	Sélectionne une plage d'angle de pan à 180°	
	<b>Tilt Angle</b>	<b>230</b>	Sélectionne une plage d'angle de tilt à 230°	
		<b>180</b>	Sélectionne une plage d'angle de tilt à 180°	
		<b>90</b>	Sélectionne une plage d'angle de tilt à 90°	
<b>XY Mode</b>	<b>Fast</b>	Définit pan / tilt vitesse		
	<b>Slow</b>			
<b>Fans</b>	<b>Auto</b>	Permet de sélectionner le mode de fonctionnement du ventilateur.		
	<b>ECO</b>			
	<b>Full</b>			



Niveau Principal	Niveaux de Programmation			Description
Setup (suite)	Display	OFF		Permet de déterminer la durée pendant laquelle le rétro-éclairage de l'affichage reste actif après le dernier appui sur un bouton
		ON		
	Screen Rev	OFF		Vue normale de l'écran de commandes
		ON		Fait pivoter l'écran de commandes de 180°
	C Mixing Mode	RGBW		Mélange de couleur supplémentaire (0 à 100%)
		CMY		Mélange de couleur retirée (100% à 0)
	Dimmer Curve	Linear		Assombrissement linéaire
		Square		Courbe d'assombrissement en escalier
		I Squa		Courbe d'assombrissement en escalier inverse
		Scurve		Courbe d'assombrissement en S
	Dimmer Speed	Smooth		Courbes d'assombrissement lentes (Smooth) ou rapides (Fast)
		Fast		
	PWM Option	600Hz		Permet de sélectionner la fréquence de sortie MLI
		1200Hz		
		2000Hz		
		4000Hz		
		6000Hz		
		15000Hz		
	Color calibration	ON		Puissance maximale lorsque les canaux DMX RGBW sont au maximum
		OFF		Température de couleur calibrée en usine lorsque les canaux DMX RGBW sont au maximum
Custom		RED	100-255	Calibrage manuel de couleur lorsque les canaux DMX RGBW sont au maximum
		GREEN		
	BLUE			
White Mode	On		Calibre le blanc à 7500K	
	Off		Utilise les valeurs de sortie maximales	
	Custom	RED		Définit la valeur maximale de LED rouge
		GREEN		Définit la valeur maximale de LED verte
		BLUE		Définit la valeur maximale de LED bleue
		WHITE		Définit la valeur maximale de LED blanc
Reset Function	Pan/Tilt	Yes	Réinitialise les fonctions pan et tilt à leurs positions de départ	
		No		
	Zoom	Yes	Réinitialise toutes les fonction de zoom, à leurs positions de départ	
		No		
	All	Yes	Réinitialise toutes les fonctions à leurs positions de départ	
		No		
Factory Set	Yes		Réinitialise l'unité à sa configuration d'usine	
	No			
SysInfo	Ver			Affiche la version logicielle
	Running Mode			Affiche le mode actuel de fonctionnement
	DMX Address			Affiche l'adresse DMX actuelle
	Temperature			Affiche la température de l'unité en Celsius
	Fixture Time			Affiche la durée de fonctionnement totale de l'appareil
	UID			Affiche UID actuel #



Rogue R3X Wash Zones pour le contrôle DMX



Valeurs DMX  
107CH

Canal	Fonction	Valeur	Pourcentage/Configuration
1	Pan	000 ⇔ 255	0-100%
2	Pan Précis	000 ⇔ 255	Contrôle précis (16-bit)
3	Tilt	000 ⇔ 255	0-100%
4	Tilt Précis	000 ⇔ 255	Contrôle précis (16-bit)
5	Vitesse Pan/Tilt	000 ⇔ 255	0-100%
6	Gradateur	000 ⇔ 255	0-100%
7	Gradateur Fin	000 ⇔ 255	Contrôle précis (16-bit)
8	Obturbateur	000 ⇔ 019 020 ⇔ 024 025 ⇔ 064 065 ⇔ 069 070 ⇔ 084 085 ⇔ 089 090 ⇔ 104 105 ⇔ 109 110 ⇔ 124 125 ⇔ 129 130 ⇔ 144 145 ⇔ 149 150 ⇔ 164 165 ⇔ 169 170 ⇔ 184 185 ⇔ 189 190 ⇔ 204 205 ⇔ 209 210 ⇔ 224 225 ⇔ 229 230 ⇔ 244 245 ⇔ 255	Fermé Ouvert Lent à rapide Ouvert Activation rapide/désactivation modulée Ouvert Désactivation modulée/activation rapide Ouvert Aléatoire Ouvert Activation rapide/désactivation modulée en mode aléatoire Ouvert Activation lente/désactivation rapide en mode aléatoire Ouvert Pulsation Ouvert Pulsation aléatoire Ouvert Activation/désactivation en fondu Ouvert Pulsation Ouvert
9	CTC	000 001 ⇔ 255	Pas de fonction 2800 - 10000K

Cana	Fonction	Valeur	Pourcentage/Configuration				
10	Couleur	000	Pas de fonction				
		001 ⇌ 002	2700K	R:156	V: 118	B: 0	B: 63
		003 ⇌ 004	3200K	R:156	V: 141	B: 5	B: 89
		005 ⇌ 006	4200K	R:156	V: 141	B: 14	B: 255
		007 ⇌ 008	5600K	R:156	V: 207	B: 54	B: 255
		009 ⇌ 010	8000K	R:130	V: 255	B: 96	B: 255
		11	Bleu	R: 0	V: 0	B: 255	B: 0
		012 ⇌ 048		R: 0	V: +	B: 255	B: 0
		049	Cian	R: 0	V: 255	B: 255	B: 0
		050 ⇌ 086		R: 0	V: 255	B: -	B: 0
		087	Vert	R: 0	V: 255	B: 0	B: 0
		088 ⇌ 124		R: +	V: 255	B: 0	B: 0
		125	Jaune	R: 255	V: 255	B: 0	B: 0
		126 ⇌ 162		R: 255	V: -	B: 0	B: 0
		163	Rouge	R: 255	V: 0	B: 0	B: 0
		164 ⇌ 200		R: 255	V: 0	B: +	B: 0
		201	Magenta	R: 255	V: 0	B: 255	B: 0
		202 ⇌ 238		R: -	V: 0	B: 255	B: 0
		239	Bleu	R: 0	V: 0	B: 255	B: 0
		240 ⇌ 247	Le changement de couleur, rapide à lent				
		248 ⇌ 255	Saut de couleur, rapide à lent				
11	Gobo	000 ⇌ 003	Pas de fonction				
		004 ⇌ 006	Gobo 1				
		007 ⇌ 009	Gobo 2				
		010 ⇌ 012	Gobo 3				
		013 ⇌ 015	Gobo 4				
		016 ⇌ 018	Gobo 5				
		019 ⇌ 021	Gobo 6				
		022 ⇌ 024	Gobo 7				
		025 ⇌ 027	Gobo 8				
		028 ⇌ 030	Gobo 9				
		031 ⇌ 033	Pas de Gobo				
		034 ⇌ 036	Gobo 10				
		037 ⇌ 039	Gobo 11				
		040 ⇌ 042	Gobo 12				
		043 ⇌ 045	Gobo 13				
		046 ⇌ 048	Gobo 14				
		049 ⇌ 051	Gobo 15				
		052 ⇌ 054	Gobo 16				
		055 ⇌ 057	Gobo 17				
		058 ⇌ 060	Gobo 18				
		061 ⇌ 063	Gobo 19				
		064 ⇌ 066	Gobo 20				
		067 ⇌ 069	Gobo 21				
		070 ⇌ 072	Gobo 22				
		073 ⇌ 075	Gobo 23				
		076 ⇌ 078	Gobo 24				
		079 ⇌ 081	Gobo 25				
		082 ⇌ 084	Gobo 26				
		085 ⇌ 087	Gobo 27				
		088 ⇌ 090	Gobo 28				
		091 ⇌ 093	Gobo 29				
		094 ⇌ 096	Gobo 30				
		097 ⇌ 099	Gobo 31				
		100 ⇌ 102	Gobo 32				
103 ⇌ 105	Gobo 33						
106 ⇌ 108	Gobo 34						

Cana	Fonction	Valeur	Pourcentage/Configuration
		109 ⇄ 111	Gobo 35
		112 ⇄ 114	Gobo 36
		115 ⇄ 117	Gobo 37
		118 ⇄ 120	Gobo 38
		121 ⇄ 123	Gobo 39
		124 ⇄ 126	Gobo 40
		127 ⇄ 129	Gobo 41
		130 ⇄ 132	Gobo 42
		133 ⇄ 135	Gobo 43
		136 ⇄ 138	Gobo 44
		139 ⇄ 141	Gobo 45
		142 ⇄ 144	Gobo 46
		145 ⇄ 147	Gobo 47
		148 ⇄ 150	Gobo 48
		151 ⇄ 153	Gobo 49
		154 ⇄ 156	Gobo 50
		157 ⇄ 159	Gobo 51
		160 ⇄ 162	Gobo 52
		163 ⇄ 165	Gobo 53
		166 ⇄ 168	Gobo 54
		169 ⇄ 171	Gobo 55
		172 ⇄ 174	Gobo 56
		175 ⇄ 177	Gobo 57
		178 ⇄ 180	Gobo 58
		181 ⇄ 183	Gobo 59
		184 ⇄ 186	Gobo 60
		187 ⇄ 189	Gobo 61
		190 ⇄ 192	Gobo 62
		193 ⇄ 195	Gobo 63
		196 ⇄ 198	Gobo 64
		199 ⇄ 201	Gobo 65
		202 ⇄ 204	Gobo 66
		205 ⇄ 207	Gobo 67
		208 ⇄ 210	Gobo 68
		211 ⇄ 213	Gobo 69
		214 ⇄ 216	Gobo 70
		217 ⇄ 219	Gobo 71
		220 ⇄ 222	Gobo 72
		223 ⇄ 225	Gobo 73
		226 ⇄ 228	Gobo 74
		229 ⇄ 231	Gobo 75
		232 ⇄ 234	Gobo 76
		235 ⇄ 237	Gobo 77
		238 ⇄ 240	Gobo 78
		241 ⇄ 243	Gobo 79
		244 ⇄ 246	Gobo 80
		247 ⇄ 249	Gobo 81
		250 ⇄ 252	Gobo 82
		253 ⇄ 255	Gobo 83
<b>11 (suite)</b>	<b>Gobo (suite)</b>		

Cana	Fonction	Valeur	Pourcentage/Configuration
<b>12</b>	<b>LED Encastré</b>	001 ⇔ 015	Pas de fonction
		016 ⇔ 017	Encastré 1
		018 ⇔ 019	Encastré 2
		020 ⇔ 021	Encastré 3
		022 ⇔ 023	Encastré 4
		024 ⇔ 025	Encastré 5
		026 ⇔ 027	Encastré 6
		028 ⇔ 029	Encastré 7
		030 ⇔ 031	Encastré 8
		032 ⇔ 033	Encastré 9
		034 ⇔ 035	Encastré 10
		036 ⇔ 037	Encastré 11
		038 ⇔ 039	Encastré 12
		040 ⇔ 041	Encastré 13
		042 ⇔ 043	Encastré 14
		044 ⇔ 045	Encastré 15
		046 ⇔ 047	Encastré 16
		048 ⇔ 049	Encastré 17
		050 ⇔ 051	Encastré 18
		052 ⇔ 053	Encastré 19
		054 ⇔ 055	Encastré 20
		056 ⇔ 057	Encastré 21
		058 ⇔ 059	Encastré 22
		060 ⇔ 061	Encastré 23
		062 ⇔ 063	Encastré 24
		064 ⇔ 065	Encastré 25
		066 ⇔ 067	Encastré 26
		068 ⇔ 069	Encastré 27
		070 ⇔ 071	Encastré 28
		072 ⇔ 073	Encastré 29
		074 ⇔ 075	Encastré 30
		076 ⇔ 077	Encastré 31
		078 ⇔ 079	Encastré 32
		080 ⇔ 081	Encastré 33
		082 ⇔ 083	Encastré 34
		084 ⇔ 085	Encastré 35
		086 ⇔ 087	Encastré 36
		088 ⇔ 089	Encastré 37
		090 ⇔ 091	Encastré 38
		092 ⇔ 093	Encastré 39
		094 ⇔ 095	Encastré 40
		096 ⇔ 097	Encastré 41
		098 ⇔ 099	Encastré 42
		100 ⇔ 101	Encastré 43
		102 ⇔ 103	Encastré 44
		104 ⇔ 105	Encastré 45
		106 ⇔ 107	Encastré 46
		108 ⇔ 109	Encastré 47
		110 ⇔ 111	Encastré 48
		112 ⇔ 113	Encastré 49
		114 ⇔ 115	Encastré 50
		116 ⇔ 117	Encastré 51
		118 ⇔ 119	Encastré 52
		120 ⇔ 121	Encastré 53
		122 ⇔ 123	Encastré 54
		124 ⇔ 125	Encastré 55
		126 ⇔ 127	Encastré 56
		128 ⇔ 135	Encastré 57
		136 ⇔ 137	Encastré 58
		138 ⇔ 139	Encastré 59
		140 ⇔ 141	Encastré 60
		142 ⇔ 143	Encastré 61
		144 ⇔ 145	Encastré 62
		146 ⇔ 147	Encastré 63
		148 ⇔ 149	Encastré 64
150 ⇔ 151	Encastré 65		

Cana	Fonction	Valeur	Pourcentage/Configuration
<b>12</b> <b>(suite)</b>	<b>LED Encastré</b> <b>(suite)</b>	152 ⇄ 153	Encastré 66
		154 ⇄ 155	Encastré 67
		156 ⇄ 157	Encastré 68
		158 ⇄ 159	Encastré 69
		160 ⇄ 161	Encastré 70
		162 ⇄ 163	Encastré 71
		164 ⇄ 165	Encastré 72
		166 ⇄ 167	Encastré 73
		168 ⇄ 169	Encastré 74
		170 ⇄ 171	Encastré 75
		172 ⇄ 173	Encastré 76
		174 ⇄ 175	Encastré 77
		176 ⇄ 177	Encastré 78
		178 ⇄ 179	Encastré 79
		180 ⇄ 181	Encastré 80
		182 ⇄ 183	Encastré 81
		184 ⇄ 185	Encastré 82
		186 ⇄ 187	Encastré 83
		188 ⇄ 189	Encastré 84
		190 ⇄ 191	Encastré 85
		192 ⇄ 193	Encastré 86
		194 ⇄ 195	Encastré 87
		196 ⇄ 197	Encastré 88
		198 ⇄ 199	Encastré 89
		200 ⇄ 201	Encastré 90
		202 ⇄ 203	Encastré 91
		204 ⇄ 205	Encastré 92
		206 ⇄ 207	Encastré 93
		208 ⇄ 209	Encastré 94
		210 ⇄ 211	Encastré 95
		212 ⇄ 213	Encastré 96
		214 ⇄ 215	Encastré 97
		216 ⇄ 217	Encastré 98
		218 ⇄ 219	Encastré 99
		220 ⇄ 221	Encastré 100
		222 ⇄ 223	Encastré 101
		224 ⇄ 225	Encastré 102
		226 ⇄ 227	Encastré 103
		228 ⇄ 229	Encastré 104
		230 ⇄ 231	Encastré 105
		232 ⇄ 233	Encastré 106
		234 ⇄ 235	Encastré 107
		236 ⇄ 237	Encastré 108
		238 ⇄ 239	Encastré 109
240 ⇄ 241	Encastré 110		
242 ⇄ 243	Encastré 111		
244 ⇄ 245	Encastré 112		
246 ⇄ 247	Encastré 113		
248 ⇄ 255	Encastré 114		
<b>13</b>	<b>LED Encastré Vitesse</b>	001 ⇄ 127 128 129 ⇄ 255	Rotation horaire, rapide à lent Arrêt Rotation antihoraire, lent à rapide
<b>14</b>	<b>LED Encastré Delay</b>	000 ⇄ 255	Rapide à lent

Cana	Fonction	Valeur	Pourcentage/Configuration
15	Couleur de Fond Macro	000	Pas de fonction
		001 ⇔ 002	2700K R:156 V: 118 B: 0 B: 63
		003 ⇔ 004	3200K R:156 V: 141 B: 5 B: 89
		005 ⇔ 006	4200K R:156 V: 141 B: 14 B: 255
		007 ⇔ 008	5600K R:156 V: 207 B: 54 B: 255
		009 ⇔ 010	8000K R:130 V: 255 B: 96 B: 255
		11	Bleu R: 0 V: 0 B: 255 B: 0
		012 ⇔ 048	R: 0 V: + B: 255 B: 0
		049	Cian R: 0 V: 255 B: 255 B: 0
		050 ⇔ 086	R: 0 V: 255 B: - B: 0
		087	Vert R: 0 V: 255 B: 0 B: 0
		088 ⇔ 124	R: + V: 255 B: 0 B: 0
		125	Jaune R: 255 V: 255 B: 0 B: 0
		126 ⇔ 162	R: 255 V: - B: 0 B: 0
		163	Rouge R: 255 V: 0 B: 0 B: 0
		164 ⇔ 200	R: 255 V: 0 B: + B: 0
		201	Magenta R: 255 V: 0 B: 255 B: 0
		202 ⇔ 238	R: - V: 0 B: 255 B: 0
		239	Bleu R: 0 V: 0 B: 255 B: 0
		240 ⇔ 247	Le changement de couleur, rapide à lent
248 ⇔ 255	Saut de couleur, rapide à lent		
16	Couleur de Fond Gradateur	000 ⇔ 255	0-100%
17	Couleur de Fond Gradateur Fin	000 ⇔ 255	Contrôle précis (16-bit)
18	Fond Rouge	000 ⇔ 255	0-100%
19	Fond Fin-Rouge	000 ⇔ 255	Contrôle précis (16-bit)
20	Fond Vert	000 ⇔ 255	0-100%
21	Fond Fin-Vert	000 ⇔ 255	Contrôle précis (16-bit)
22	Fond Bleu	000 ⇔ 255	0-100%
23	Fond Fin-Bleu	000 ⇔ 255	Contrôle précis (16-bit)
24	Fond Blanc	000 ⇔ 255	0-100%
25	Fond Fin-Blanc	000 ⇔ 255	Contrôle précis (16-bit)
26	Zoom	000 ⇔ 255	0-100%

Cana	Fonction	Valeur	Pourcentage/Configuration
<b>27</b>	<b>Commande</b>	001 ⇔ 009	Pas de fonction
		010 ⇔ 014	Noir général en pan/tilt (5 s pause)
		015 ⇔ 019	Pas de fonction
		020 ⇔ 024	Le mélange RGBW couleur (5 sec.)
		025 ⇔ 029	Le mélange CMY couleur (5 sec.)
		030 ⇔ 034	Pas de fonction
		035 ⇔ 039	Pas de fonction
		040 ⇔ 044	Pas de fonction
		045 ⇔ 049	Pas de fonction
		050 ⇔ 054	Réinitialisation du basculement (5 s pause)
		055 ⇔ 059	Réinitialisation du balayage (5 s pause)
		060 ⇔ 064	Réinitialisation du zoom (5 s pause)
		065 ⇔ 069	Pas de fonction
		070 ⇔ 074	Réinitialisation totale (5 s pause)
		075 ⇔ 079	Pas de fonction
		080 ⇔ 084	Mouvement balayage/basculement inverse (5 s pause)
		085 ⇔ 089	Mouvement balayage inverse (5 s pause)
		090 ⇔ 094	Mouvement basculement inverse (5 s pause)
		095 ⇔ 099	Désactivation du mouvement balayage inverse (5 s pause)
		100 ⇔ 104	Désactivation du mouvement basculement inverse (5 s pause)
		105 ⇔ 109	Désactivation du mouvement balayage/basculement inverse (5 s pause)
		110 ⇔ 114	Pas de fonction
		115 ⇔ 119	Pas de fonction
		120 ⇔ 124	Ventilateur de l'economie (5 s pause)
		125 ⇔ 129	Ventilateur au maximum (5 s pause)
		130 ⇔ 134	Ventilateur auto-régulé (5 s pause)
		135 ⇔ 139	Courbe d'assombrissement rapide (5 s pause)
140 ⇔ 144	Courbe d'assombrissement douce (5 s pause)		
145 ⇔ 149	Courbe linéaire		
150 ⇔ 154	Courbe carrée		
155 ⇔ 159	I Courbe carrée		
160 ⇔ 164	SCourbe		
165 ⇔ 169	Mode blanc activé		
170 ⇔ 174	Mode blanc désactivé		
145 ⇔ 255	Pas de fonction		
<b>28</b>	<b>Rouge (Cyan)</b>	000 ⇔ 255	0-100%
<b>29</b>	<b>Rouge fin (Cyan)</b>	000 ⇔ 255	Contrôle précis (16-bit)
<b>30</b>	<b>Vert (Magenta)</b>	000 ⇔ 255	0-100%
<b>31</b>	<b>Vert fin (Magenta)</b>	000 ⇔ 255	Contrôle précis (16-bit)
<b>32</b>	<b>Bleu (Jaune)</b>	000 ⇔ 255	0-100%
<b>33</b>	<b>Bleu fin (Jaune)</b>	000 ⇔ 255	Contrôle précis (16-bit)
<b>34</b>	<b>Blanc</b>	000 ⇔ 255	0-100%
<b>35</b>	<b>Blanc fin</b>	000 ⇔ 255	Contrôle précis (16-bit)
<b>36</b>	<b>Rouge 1 (Cyan)</b>	000 ⇔ 255	0-100%
<b>37</b>	<b>Rouge fin 1 (Cyan)</b>	000 ⇔ 255	Contrôle précis (16-bit)
<b>38</b>	<b>Vert 1 (Magenta)</b>	000 ⇔ 255	0-100%
<b>39</b>	<b>Vert fin 1 (Magenta)</b>	000 ⇔ 255	Contrôle précis (16-bit)
<b>40</b>	<b>Bleu 1 (Jaune)</b>	000 ⇔ 255	0-100%
<b>41</b>	<b>Bleu fin 1 (Jaune)</b>	000 ⇔ 255	Contrôle précis (16-bit)
<b>42</b>	<b>Blanc 1</b>	000 ⇔ 255	0-100%
<b>43</b>	<b>Blanc fin 1</b>	000 ⇔ 255	Contrôle précis (16-bit)
<b>44</b>	<b>Rouge 2 (Cyan)</b>	000 ⇔ 255	0-100%
<b>45</b>	<b>Rouge fin 2 (Cyan)</b>	000 ⇔ 255	Contrôle précis (16-bit)
<b>46</b>	<b>Vert 2 (Magenta)</b>	000 ⇔ 255	0-100%
<b>47</b>	<b>Vert fin 2 (Magenta)</b>	000 ⇔ 255	Contrôle précis (16-bit)
<b>48</b>	<b>Bleu 2 (Jaune)</b>	000 ⇔ 255	0-100%
<b>49</b>	<b>Bleu fin 2 (Jaune)</b>	000 ⇔ 255	Contrôle précis (16-bit)
<b>50</b>	<b>Blanc 2</b>	000 ⇔ 255	0-100%
<b>51</b>	<b>Blanc fin 2</b>	000 ⇔ 255	Contrôle précis (16-bit)
<b>52</b>	<b>Rouge 3 (Cyan)</b>	000 ⇔ 255	0-100%

<b>Cana</b>	<b>Fonction</b>	<b>Valeur</b>	<b>Pourcentage/Configuration</b>
53	Rouge fin 3 (Cyan)	000 ⇔ 255	Contrôle précis (16-bit)
54	Vert 3 (Magenta)	000 ⇔ 255	0-100%
55	Vert fin 3 (Magenta)	000 ⇔ 255	Contrôle précis (16-bit)
56	Bleu 3 (Jaune)	000 ⇔ 255	0-100%
57	Bleu fin 3 (Jaune)	000 ⇔ 255	Contrôle précis (16-bit)
58	Blanc 3	000 ⇔ 255	0-100%
59	Blanc fin 3	000 ⇔ 255	Contrôle précis (16-bit)
60	Rouge 4 (Cyan)	000 ⇔ 255	0-100%
61	Rouge fin 4 (Cyan)	000 ⇔ 255	Contrôle précis (16-bit)
62	Vert 4 (Magenta)	000 ⇔ 255	0-100%
63	Vert fin 4 (Magenta)	000 ⇔ 255	Contrôle précis (16-bit)
64	Bleu 4 (Jaune)	000 ⇔ 255	0-100%
65	Bleu fin 4 (Jaune)	000 ⇔ 255	Contrôle précis (16-bit)
66	Blanc 4	000 ⇔ 255	0-100%
67	Blanc fin 4	000 ⇔ 255	Contrôle précis (16-bit)
68	Rouge 5 (Cyan)	000 ⇔ 255	0-100%
69	Rouge fin 5 (Cyan)	000 ⇔ 255	Contrôle précis (16-bit)
70	Vert 5 (Magenta)	000 ⇔ 255	0-100%
71	Vert fin 5 (Magenta)	000 ⇔ 255	Contrôle précis (16-bit)
72	Bleu 5 (Jaune)	000 ⇔ 255	0-100%
73	Bleu fin 5 (Jaune)	000 ⇔ 255	Contrôle précis (16-bit)
74	Blanc 5	000 ⇔ 255	0-100%
75	Blanc fin 5	000 ⇔ 255	Contrôle précis (16-bit)
76	Rouge 6 (Cyan)	000 ⇔ 255	0-100%
77	Rouge fin 6 (Cyan)	000 ⇔ 255	Contrôle précis (16-bit)
78	Vert 6 (Magenta)	000 ⇔ 255	0-100%
79	Vert fin 6 (Magenta)	000 ⇔ 255	Contrôle précis (16-bit)
80	Bleu 6 (Jaune)	000 ⇔ 255	0-100%
81	Bleu fin 6 (Jaune)	000 ⇔ 255	Contrôle précis (16-bit)
82	Blanc 6	000 ⇔ 255	0-100%
83	Blanc fin 6	000 ⇔ 255	Contrôle précis (16-bit)
84	Rouge 7 (Cyan)	000 ⇔ 255	0-100%
85	Rouge fin 7 (Cyan)	000 ⇔ 255	Contrôle précis (16-bit)
86	Vert 7 (Magenta)	000 ⇔ 255	0-100%
87	Vert fin 7 (Magenta)	000 ⇔ 255	Contrôle précis (16-bit)
88	Bleu 7 (Jaune)	000 ⇔ 255	0-100%
89	Bleu fin 7 (Jaune)	000 ⇔ 255	Contrôle précis (16-bit)
90	Blanc 7	000 ⇔ 255	0-100%
91	Blanc fin 7	000 ⇔ 255	Contrôle précis (16-bit)
92	Rouge 8 (Cyan)	000 ⇔ 255	0-100%
93	Rouge fin 8 (Cyan)	000 ⇔ 255	Contrôle précis (16-bit)
94	Vert 8 (Magenta)	000 ⇔ 255	0-100%
95	Vert fin 8 (Magenta)	000 ⇔ 255	Contrôle précis (16-bit)
96	Bleu 8 (Jaune)	000 ⇔ 255	0-100%
97	Bleu fin 8 (Jaune)	000 ⇔ 255	Contrôle précis (16-bit)
98	Blanc 8	000 ⇔ 255	0-100%
99	Blanc fin 8	000 ⇔ 255	Contrôle précis (16-bit)
100	Rouge 9 (Cyan)	000 ⇔ 255	0-100%
101	Rouge fin 9 (Cyan)	000 ⇔ 255	Contrôle précis (16-bit)
102	Vert 9 (Magenta)	000 ⇔ 255	0-100%
103	Vert fin 9 (Magenta)	000 ⇔ 255	Contrôle précis (16-bit)
104	Bleu 9 (Jaune)	000 ⇔ 255	0-100%
105	Bleu fin 9 (Jaune)	000 ⇔ 255	Contrôle précis (16-bit)



Cana	Fonction	Valeur	Pourcentage/Configuration
106	Blanc 9	000 ⇔ 255	0-100%
107	Blanc fin 9	000 ⇔ 255	Contrôle précis (16-bit)

## 71CH

Cana	Fonction	Valeur	Pourcentage/Configuration
1	Pan	000 ⇔ 255	0-100%
2	Pan Précis	000 ⇔ 255	Contrôle précis (16-bit)
3	Tilt	000 ⇔ 255	0-100%
4	Tilt Précis	000 ⇔ 255	Contrôle précis (16-bit)
5	Vitesse Pan/Tilt	000 ⇔ 255	0-100%
6	Gradateur	000 ⇔ 255	0-100%
7	Gradateur Fin	000 ⇔ 255	Contrôle précis (16-bit)
8	Obturateur	000 ⇔ 019	Fermé
		020 ⇔ 024	Ouvert
		025 ⇔ 064	Lent à rapide
		065 ⇔ 069	Ouvert
		070 ⇔ 084	Activation rapide/désactivation modulée
		085 ⇔ 089	Ouvert
		090 ⇔ 104	Désactivation modulée/activation rapide
		105 ⇔ 109	Ouvert
		110 ⇔ 124	Aléatoire
		125 ⇔ 129	Ouvert
		130 ⇔ 144	Activation rapide/désactivation modulée en mode aléatoire
		145 ⇔ 149	Ouvert
		150 ⇔ 164	Activation lente/désactivation rapide en mode aléatoire
		165 ⇔ 169	Ouvert
		170 ⇔ 184	Pulsation
		185 ⇔ 189	Ouvert
		190 ⇔ 204	Pulsation aléatoire
205 ⇔ 209	Ouvert		
210 ⇔ 224	Activation/désactivation en fondu		
225 ⇔ 229	Ouvert		
230 ⇔ 244	Pulsation		
245 ⇔ 255	Ouvert		
9	CTC	000	Pas de fonction
		001 ⇔ 255	2800 - 10000K
10	Couleur	000	Pas de fonction
		001 ⇔ 002	2700K R:156 V: 118 B: 0 B: 63
		003 ⇔ 004	3200K R:156 V: 141 B: 5 B: 89
		005 ⇔ 006	4200K R:156 V: 141 B: 14 B: 255
		007 ⇔ 008	5600K R:156 V: 207 B: 54 B: 255
		009 ⇔ 010	8000K R:130 V: 255 B: 96 B: 255
		11	Bleu R: 0 V: 0 B: 255 B: 0
		012 ⇔ 048	R: 0 V: + B: 255 B: 0
		049	Cian R: 0 V: 255 B: 255 B: 0
		050 ⇔ 086	R: 0 V: 255 B: - B: 0
		087	Vert R: 0 V: 255 B: 0 B: 0
		088 ⇔ 124	R: + V: 255 B: 0 B: 0
		125	Jaune R: 255 V: 255 B: 0 B: 0
		126 ⇔ 162	R: 255 V: - B: 0 B: 0
		163	Rouge R: 255 V: 0 B: 0 B: 0
		164 ⇔ 200	R: 255 V: 0 B: + B: 0
		201	Magenta R: 255 V: 0 B: 255 B: 0
		202 ⇔ 238	R: - V: 0 B: 255 B: 0
		239	Bleu R: 0 V: 0 B: 255 B: 0
		240 ⇔ 247	Le changement de couleur, rapide à lent
248 ⇔ 255	Saut de couleur, rapide à lent		

Cana	Fonction	Valeur	Pourcentage/Configuration
<b>11</b>	<b>Gobo</b>	000 ⇔ 003	Pas de fonction
		004 ⇔ 006	Gobo 1
		007 ⇔ 009	Gobo 2
		010 ⇔ 012	Gobo 3
		013 ⇔ 015	Gobo 4
		016 ⇔ 018	Gobo 5
		019 ⇔ 021	Gobo 6
		022 ⇔ 024	Gobo 7
		025 ⇔ 027	Gobo 8
		028 ⇔ 030	Gobo 9
		031 ⇔ 033	Pas de Gobo
		034 ⇔ 036	Gobo 10
		037 ⇔ 039	Gobo 11
		040 ⇔ 042	Gobo 12
		043 ⇔ 045	Gobo 13
		046 ⇔ 048	Gobo 14
		049 ⇔ 051	Gobo 15
		052 ⇔ 054	Gobo 16
		055 ⇔ 057	Gobo 17
		058 ⇔ 060	Gobo 18
		061 ⇔ 063	Gobo 19
		064 ⇔ 066	Gobo 20
		067 ⇔ 069	Gobo 21
		070 ⇔ 072	Gobo 22
		073 ⇔ 075	Gobo 23
		076 ⇔ 078	Gobo 24
		079 ⇔ 081	Gobo 25
		082 ⇔ 084	Gobo 26
		085 ⇔ 087	Gobo 27
		088 ⇔ 090	Gobo 28
		091 ⇔ 093	Gobo 29
		094 ⇔ 096	Gobo 30
		097 ⇔ 099	Gobo 31
		100 ⇔ 102	Gobo 32
		103 ⇔ 105	Gobo 33
		106 ⇔ 108	Gobo 34
		109 ⇔ 111	Gobo 35
		112 ⇔ 114	Gobo 36
		115 ⇔ 117	Gobo 37
		118 ⇔ 120	Gobo 38
		121 ⇔ 123	Gobo 39
		124 ⇔ 126	Gobo 40
		127 ⇔ 129	Gobo 41
		130 ⇔ 132	Gobo 42
		133 ⇔ 135	Gobo 43
		136 ⇔ 138	Gobo 44
		139 ⇔ 141	Gobo 45
		142 ⇔ 144	Gobo 46
		145 ⇔ 147	Gobo 47
		148 ⇔ 150	Gobo 48
		151 ⇔ 153	Gobo 49
		154 ⇔ 156	Gobo 50
		157 ⇔ 159	Gobo 51
		160 ⇔ 162	Gobo 52
		163 ⇔ 165	Gobo 53
		166 ⇔ 168	Gobo 54
		169 ⇔ 171	Gobo 55
		172 ⇔ 174	Gobo 56
		175 ⇔ 177	Gobo 57
178 ⇔ 180	Gobo 58		
181 ⇔ 183	Gobo 59		

Cana	Fonction	Valeur	Pourcentage/Configuration
11 (suite)	Gobo (suite)	184 ⇔ 186	Gobo 60
		187 ⇔ 189	Gobo 61
		190 ⇔ 192	Gobo 62
		193 ⇔ 195	Gobo 63
		196 ⇔ 198	Gobo 64
		199 ⇔ 201	Gobo 65
		202 ⇔ 204	Gobo 66
		205 ⇔ 207	Gobo 67
		208 ⇔ 210	Gobo 68
		211 ⇔ 213	Gobo 69
		214 ⇔ 216	Gobo 70
		217 ⇔ 219	Gobo 71
		220 ⇔ 222	Gobo 72
		223 ⇔ 225	Gobo 73
		226 ⇔ 228	Gobo 74
		229 ⇔ 231	Gobo 75
		232 ⇔ 234	Gobo 76
		235 ⇔ 237	Gobo 77
		238 ⇔ 240	Gobo 78
		241 ⇔ 243	Gobo 79
		244 ⇔ 246	Gobo 80
247 ⇔ 249	Gobo 81		
250 ⇔ 252	Gobo 82		
253 ⇔ 255	Gobo 83		
12	LED Encastré	001 ⇔ 015	Pas de fonction
		016 ⇔ 017	Encastré 1
		018 ⇔ 019	Encastré 2
		020 ⇔ 021	Encastré 3
		022 ⇔ 023	Encastré 4
		024 ⇔ 025	Encastré 5
		026 ⇔ 027	Encastré 6
		028 ⇔ 029	Encastré 7
		030 ⇔ 031	Encastré 8
		032 ⇔ 033	Encastré 9
		034 ⇔ 035	Encastré 10
		036 ⇔ 037	Encastré 11
		038 ⇔ 039	Encastré 12
		040 ⇔ 041	Encastré 13
		042 ⇔ 043	Encastré 14
		044 ⇔ 045	Encastré 15
		046 ⇔ 047	Encastré 16
		048 ⇔ 049	Encastré 17
		050 ⇔ 051	Encastré 18
		052 ⇔ 053	Encastré 19
		054 ⇔ 055	Encastré 20
		056 ⇔ 057	Encastré 21
		058 ⇔ 059	Encastré 22
		060 ⇔ 061	Encastré 23
		062 ⇔ 063	Encastré 24
		064 ⇔ 065	Encastré 25
		066 ⇔ 067	Encastré 26
		068 ⇔ 069	Encastré 27
		070 ⇔ 071	Encastré 28
		072 ⇔ 073	Encastré 29
		074 ⇔ 075	Encastré 30
		076 ⇔ 077	Encastré 31
		078 ⇔ 079	Encastré 32
		080 ⇔ 081	Encastré 33
		082 ⇔ 083	Encastré 34
		084 ⇔ 085	Encastré 35
		086 ⇔ 087	Encastré 36
		088 ⇔ 089	Encastré 37
		090 ⇔ 091	Encastré 38
092 ⇔ 093	Encastré 39		

Cana	Fonction	Valeur	Pourcentage/Configuration
12 (suite)	LED Encastré (suite)	094 ⇔ 095	Encastré 40
		096 ⇔ 097	Encastré 41
		098 ⇔ 099	Encastré 42
		100 ⇔ 101	Encastré 43
		102 ⇔ 103	Encastré 44
		104 ⇔ 105	Encastré 45
		106 ⇔ 107	Encastré 46
		108 ⇔ 109	Encastré 47
		110 ⇔ 111	Encastré 48
		112 ⇔ 113	Encastré 49
		114 ⇔ 115	Encastré 50
		116 ⇔ 117	Encastré 51
		118 ⇔ 119	Encastré 52
		120 ⇔ 121	Encastré 53
		122 ⇔ 123	Encastré 54
		124 ⇔ 125	Encastré 55
		126 ⇔ 127	Encastré 56
		128 ⇔ 135	Encastré 57
		136 ⇔ 137	Encastré 58
		138 ⇔ 139	Encastré 59
		140 ⇔ 141	Encastré 60
		142 ⇔ 143	Encastré 61
		144 ⇔ 145	Encastré 62
		146 ⇔ 147	Encastré 63
		148 ⇔ 149	Encastré 64
		150 ⇔ 151	Encastré 65
		152 ⇔ 153	Encastré 66
		154 ⇔ 155	Encastré 67
		156 ⇔ 157	Encastré 68
		158 ⇔ 159	Encastré 69
		160 ⇔ 161	Encastré 70
		162 ⇔ 163	Encastré 71
		164 ⇔ 165	Encastré 72
		166 ⇔ 167	Encastré 73
		168 ⇔ 169	Encastré 74
		170 ⇔ 171	Encastré 75
		172 ⇔ 173	Encastré 76
		174 ⇔ 175	Encastré 77
		176 ⇔ 177	Encastré 78
		178 ⇔ 179	Encastré 79
180 ⇔ 181	Encastré 80		
182 ⇔ 183	Encastré 81		
184 ⇔ 185	Encastré 82		
186 ⇔ 187	Encastré 83		
188 ⇔ 189	Encastré 84		
190 ⇔ 191	Encastré 85		
192 ⇔ 193	Encastré 86		
194 ⇔ 195	Encastré 87		
196 ⇔ 197	Encastré 88		
198 ⇔ 199	Encastré 89		
200 ⇔ 201	Encastré 90		
202 ⇔ 203	Encastré 91		
204 ⇔ 205	Encastré 92		
206 ⇔ 207	Encastré 93		
208 ⇔ 209	Encastré 94		
210 ⇔ 211	Encastré 95		
212 ⇔ 213	Encastré 96		
214 ⇔ 215	Encastré 97		
216 ⇔ 217	Encastré 98		
218 ⇔ 219	Encastré 99		

Cana	Fonction	Valeur	Pourcentage/Configuration
<b>12</b> (suite)	<b>LED Encastré</b> (suite)	220 ⇔ 221	Encastré 100
		222 ⇔ 223	Encastré 101
		224 ⇔ 225	Encastré 102
		226 ⇔ 227	Encastré 103
		228 ⇔ 229	Encastré 104
		230 ⇔ 231	Encastré 105
		232 ⇔ 233	Encastré 106
		234 ⇔ 235	Encastré 107
		236 ⇔ 237	Encastré 108
		238 ⇔ 239	Encastré 109
		240 ⇔ 241	Encastré 110
		242 ⇔ 243	Encastré 111
		244 ⇔ 245	Encastré 112
		246 ⇔ 247	Encastré 113
		248 ⇔ 255	Encastré 114
<b>13</b>	<b>LED Encastré Vitesse</b>	001 ⇔ 127 128 129 ⇔ 255	Rotation horaire, rapide à lent Arrêt Rotation antihoraire, lent à rapide
<b>14</b>	<b>LED Encastré Delay</b>	000 ⇔ 255	Rapide à lent
<b>15</b>	<b>Couleur de Fond Macro</b>	000	Pas de fonction
		001 ⇔ 002	2700K R:156 V: 118 B: 0 B: 63
		003 ⇔ 004	3200K R:156 V: 141 B: 5 B: 89
		005 ⇔ 006	4200K R:156 V: 141 B: 14 B: 255
		007 ⇔ 008	5600K R:156 V: 207 B: 54 B: 255
		009 ⇔ 010	8000K R:130 V: 255 B: 96 B: 255
		11	Bleu R: 0 V: 0 B: 255 B: 0
		012 ⇔ 048	Bleu R: 0 V: + B: 255 B: 0
		049	Cian R: 0 V: 255 B: 255 B: 0
		050 ⇔ 086	Cian R: 0 V: 255 B: - B: 0
		087	Vert R: 0 V: 255 B: 0 B: 0
		088 ⇔ 124	Vert R: + V: 255 B: 0 B: 0
		125	Jaune R: 255 V: 255 B: 0 B: 0
		126 ⇔ 162	Jaune R: 255 V: - B: 0 B: 0
		163	Rouge R: 255 V: 0 B: 0 B: 0
		164 ⇔ 200	Rouge R: 255 V: 0 B: + B: 0
		201	Magenta R: 255 V: 0 B: 255 B: 0
		202 ⇔ 238	Magenta R: - V: 0 B: 255 B: 0
		239	Bleu R: 0 V: 0 B: 255 B: 0
240 ⇔ 247	Le changement de couleur, rapide à lent		
248 ⇔ 255	Saut de couleur, rapide à lent		
<b>16</b>	<b>Couleur de Fond Gradateur</b>	000 ⇔ 255	0-100%
<b>17</b>	<b>Fond Rouge</b>	000 ⇔ 255	0-100%
<b>18</b>	<b>Fond Vert</b>	000 ⇔ 255	0-100%
<b>19</b>	<b>Fond Bleu</b>	000 ⇔ 255	0-100%
<b>20</b>	<b>Fond Blanc</b>	000 ⇔ 255	0-100%
<b>21</b>	<b>Zoom</b>	000 ⇔ 255	0-100%

Cana	Fonction	Valeur	Pourcentage/Configuration
22	Commande	001 ⇔ 009	Pas de fonction
		010 ⇔ 014	Noir général en pan/tilt (5 s pause)
		015 ⇔ 019	Pas de fonction
		020 ⇔ 024	Le mélange RGBW couleur (5 sec.)
		025 ⇔ 029	Le mélange CMY couleur (5 sec.)
		030 ⇔ 034	Pas de fonction
		035 ⇔ 039	Pas de fonction
		040 ⇔ 044	Pas de fonction
		045 ⇔ 049	Pas de fonction
		050 ⇔ 054	Réinitialisation du basculement (5 s pause)
		055 ⇔ 059	Réinitialisation du balayage (5 s pause)
		060 ⇔ 064	Réinitialisation du zoom (5 s pause)
		065 ⇔ 069	Pas de fonction
		070 ⇔ 074	Réinitialisation totale (5 s pause)
		075 ⇔ 079	Pas de fonction
		080 ⇔ 084	Mouvement balayage/basculement inverse (5 s pause)
		085 ⇔ 089	Mouvement balayage inverse (5 s pause)
		090 ⇔ 094	Mouvement basculement inverse (5 s pause)
		095 ⇔ 099	Désactivation du mouvement balayage inverse (5 s pause)
		100 ⇔ 104	Désactivation du mouvement basculement inverse (5 s pause)
		105 ⇔ 109	Désactivation du mouvement balayage/basculement inverse (5 s pause)
		110 ⇔ 114	Pas de fonction
		115 ⇔ 119	Pas de fonction
		120 ⇔ 124	Ventilateur de l'economie (5 s pause)
		125 ⇔ 129	Ventilateur au maximum (5 s pause)
		130 ⇔ 134	Ventilateur auto-régulé (5 s pause)
		135 ⇔ 139	Courbe d'assombrissement rapide (5 s pause)
		140 ⇔ 144	Courbe d'assombrissement douce (5 s pause)
		145 ⇔ 149	Courbe linéaire
		150 ⇔ 154	Courbe carrée
		155 ⇔ 159	I Courbe carrée
160 ⇔ 164	SCourbe		
165 ⇔ 169	Mode blanc activé		
170 ⇔ 174	Mode blanc désactivé		
145 ⇔ 255	Pas de fonction		
23	Rouge (Cyan)	000 ⇔ 255	0-100%
24	Vert (Magenta)	000 ⇔ 255	0-100%
25	Bleu (Jaune)	000 ⇔ 255	0-100%
26	Blanc	000 ⇔ 255	0-100%
27	Gradateur 1	000 ⇔ 255	0-100%
28	Rouge 1 (Cyan)	000 ⇔ 255	0-100%
29	Vert 1 (Magenta)	000 ⇔ 255	0-100%
30	Bleu 1 (Jaune)	000 ⇔ 255	0-100%
31	Blanc 1	000 ⇔ 255	0-100%
32	Gradateur 2	000 ⇔ 255	0-100%
33	Rouge 2 (Cyan)	000 ⇔ 255	0-100%
34	Vert 2 (Magenta)	000 ⇔ 255	0-100%
35	Bleu 2 (Jaune)	000 ⇔ 255	0-100%
36	Blanc 2	000 ⇔ 255	0-100%
37	Gradateur 3	000 ⇔ 255	0-100%
38	Rouge 3 (Cyan)	000 ⇔ 255	0-100%
39	Vert 3 (Magenta)	000 ⇔ 255	0-100%
40	Bleu 3 (Jaune)	000 ⇔ 255	0-100%
41	Blanc 3	000 ⇔ 255	0-100%
42	Gradateur 4	000 ⇔ 255	0-100%
43	Rouge 4 (Cyan)	000 ⇔ 255	0-100%
44	Vert 4 (Magenta)	000 ⇔ 255	0-100%
45	Bleu 4 (Jaune)	000 ⇔ 255	0-100%
46	Blanc 4	000 ⇔ 255	0-100%
47	Gradateur 5	000 ⇔ 255	0-100%

Cana	Fonction	Valeur	Pourcentage/Configuration
48	Rouge 5 (Cyan)	000 ⇔ 255	0-100%
49	Vert 5 (Magenta)	000 ⇔ 255	0-100%
50	Bleu 5 (Jaune)	000 ⇔ 255	0-100%
51	Blanc 5	000 ⇔ 255	0-100%
52	Gradateur 6	000 ⇔ 255	0-100%
53	Rouge 6 (Cyan)	000 ⇔ 255	0-100%
54	Vert 6 (Magenta)	000 ⇔ 255	0-100%
55	Bleu 6 (Jaune)	000 ⇔ 255	0-100%
56	Blanc 6	000 ⇔ 255	0-100%
57	Gradateur 7	000 ⇔ 255	0-100%
58	Rouge 7 (Cyan)	000 ⇔ 255	0-100%
59	Vert 7 (Magenta)	000 ⇔ 255	0-100%
60	Bleu 7 (Jaune)	000 ⇔ 255	0-100%
61	Blanc 7	000 ⇔ 255	0-100%
62	Gradateur 8	000 ⇔ 255	0-100%
63	Rouge 8 (Cyan)	000 ⇔ 255	0-100%
64	Vert 8 (Magenta)	000 ⇔ 255	0-100%
65	Bleu 8 (Jaune)	000 ⇔ 255	0-100%
66	Blanc 8	000 ⇔ 255	0-100%
67	Gradateur 9	000 ⇔ 255	0-100%
68	Rouge 9 (Cyan)	000 ⇔ 255	0-100%
69	Vert 9 (Magenta)	000 ⇔ 255	0-100%
70	Bleu 9 (Jaune)	000 ⇔ 255	0-100%
71	Blanc 9	000 ⇔ 255	0-100%

**62CH**

Cana	Fonction	Valeur	Pourcentage/Configuration
1	Pan	000 ⇔ 255	0-100%
2	Pan Précis	000 ⇔ 255	Contrôle précis (16-bit)
3	Tilt	000 ⇔ 255	0-100%
4	Tilt Précis	000 ⇔ 255	Contrôle précis (16-bit)
5	Vitesse Pan/Tilt	000 ⇔ 255	0-100%
6	Gradateur	000 ⇔ 255	0-100%
7	Gradateur Fin	000 ⇔ 255	Contrôle précis (16-bit)
8	Obturateur	000 ⇔ 019	Fermé
		020 ⇔ 024	Ouvert
		025 ⇔ 064	Lent à rapide
		065 ⇔ 069	Ouvert
		070 ⇔ 084	Activation rapide/désactivation modulée
		085 ⇔ 089	Ouvert
		090 ⇔ 104	Désactivation modulée/activation rapide
		105 ⇔ 109	Ouvert
		110 ⇔ 124	Aléatoire
		125 ⇔ 129	Ouvert
		130 ⇔ 144	Activation rapide/désactivation modulée en mode aléatoire
		145 ⇔ 149	Ouvert
		150 ⇔ 164	Activation lente/désactivation rapide en mode aléatoire
		165 ⇔ 169	Ouvert
		170 ⇔ 184	Pulsation
		185 ⇔ 189	Ouvert
		190 ⇔ 204	Pulsation aléatoire
205 ⇔ 209	Ouvert		
210 ⇔ 224	Activation/désactivation en fondu		
225 ⇔ 229	Ouvert		
230 ⇔ 244	Pulsation		
245 ⇔ 255	Ouvert		

Cana	Fonction	Valeur	Pourcentage/Configuration		
9	CTC	000	Pas de fonction		
		001 ⇔ 255	2800 - 10000K		
10	Couleur	000	Pas de fonction		
		001 ⇔ 002	2700K R:156 V: 118 B: 0 B: 63		
		003 ⇔ 004	3200K R:156 V: 141 B: 5 B: 89		
		005 ⇔ 006	4200K R:156 V: 141 B: 14 B: 255		
		007 ⇔ 008	5600K R:156 V: 207 B: 54 B: 255		
		009 ⇔ 010	8000K R:130 V: 255 B: 96 B: 255		
		11	Bleu R: 0 V: 0 B: 255 B: 0		
		012 ⇔ 048	R: 0 V: + B: 255 B: 0		
		049	Cian R: 0 V: 255 B: 255 B: 0		
		050 ⇔ 086	R: 0 V: 255 B: - B: 0		
		087	Vert R: 0 V: 255 B: 0 B: 0		
		088 ⇔ 124	R: + V: 255 B: 0 B: 0		
		125	Jaune R: 255 V: 255 B: 0 B: 0		
		126 ⇔ 162	R: 255 V: - B: 0 B: 0		
		163	Rouge R: 255 V: 0 B: 0 B: 0		
		164 ⇔ 200	R: 255 V: 0 B: + B: 0		
		201	Magenta R: 255 V: 0 B: 255 B: 0		
		202 ⇔ 238	R: - V: 0 B: 255 B: 0		
		239	Bleu R: 0 V: 0 B: 255 B: 0		
		240 ⇔ 247	Le changement de couleur, rapide à lent		
		248 ⇔ 255	Saut de couleur, rapide à lent		
		11	Gobo	000 ⇔ 003	Pas de fonction
				004 ⇔ 006	Gobo 1
				007 ⇔ 009	Gobo 2
				010 ⇔ 012	Gobo 3
				013 ⇔ 015	Gobo 4
				016 ⇔ 018	Gobo 5
019 ⇔ 021	Gobo 6				
022 ⇔ 024	Gobo 7				
025 ⇔ 027	Gobo 8				
028 ⇔ 030	Gobo 9				
031 ⇔ 033	Pas de Gobo				
034 ⇔ 036	Gobo 10				
037 ⇔ 039	Gobo 11				
040 ⇔ 042	Gobo 12				
043 ⇔ 045	Gobo 13				
046 ⇔ 048	Gobo 14				
049 ⇔ 051	Gobo 15				
052 ⇔ 054	Gobo 16				
055 ⇔ 057	Gobo 17				
058 ⇔ 060	Gobo 18				
061 ⇔ 063	Gobo 19				
064 ⇔ 066	Gobo 20				
067 ⇔ 069	Gobo 21				
070 ⇔ 072	Gobo 22				
073 ⇔ 075	Gobo 23				
076 ⇔ 078	Gobo 24				
079 ⇔ 081	Gobo 25				
082 ⇔ 084	Gobo 26				
085 ⇔ 087	Gobo 27				
088 ⇔ 090	Gobo 28				
091 ⇔ 093	Gobo 29				
094 ⇔ 096	Gobo 30				
097 ⇔ 099	Gobo 31				
100 ⇔ 102	Gobo 32				
103 ⇔ 105	Gobo 33				
106 ⇔ 108	Gobo 34				



Cana	Fonction	Valeur	Pourcentage/Configuration
11 (suite)	Gobo (suite)	109 ⇄ 111	Gobo 35
		112 ⇄ 114	Gobo 36
		115 ⇄ 117	Gobo 37
		118 ⇄ 120	Gobo 38
		121 ⇄ 123	Gobo 39
		124 ⇄ 126	Gobo 40
		127 ⇄ 129	Gobo 41
		130 ⇄ 132	Gobo 42
		133 ⇄ 135	Gobo 43
		136 ⇄ 138	Gobo 44
		139 ⇄ 141	Gobo 45
		142 ⇄ 144	Gobo 46
		145 ⇄ 147	Gobo 47
		148 ⇄ 150	Gobo 48
		151 ⇄ 153	Gobo 49
		154 ⇄ 156	Gobo 50
		157 ⇄ 159	Gobo 51
		160 ⇄ 162	Gobo 52
		163 ⇄ 165	Gobo 53
		166 ⇄ 168	Gobo 54
		169 ⇄ 171	Gobo 55
		172 ⇄ 174	Gobo 56
		175 ⇄ 177	Gobo 57
		178 ⇄ 180	Gobo 58
		181 ⇄ 183	Gobo 59
		184 ⇄ 186	Gobo 60
		187 ⇄ 189	Gobo 61
		190 ⇄ 192	Gobo 62
		193 ⇄ 195	Gobo 63
		196 ⇄ 198	Gobo 64
		199 ⇄ 201	Gobo 65
		202 ⇄ 204	Gobo 66
		205 ⇄ 207	Gobo 67
		208 ⇄ 210	Gobo 68
		211 ⇄ 213	Gobo 69
214 ⇄ 216	Gobo 70		
217 ⇄ 219	Gobo 71		
220 ⇄ 222	Gobo 72		
223 ⇄ 225	Gobo 73		
226 ⇄ 228	Gobo 74		
229 ⇄ 231	Gobo 75		
232 ⇄ 234	Gobo 76		
235 ⇄ 237	Gobo 77		
238 ⇄ 240	Gobo 78		
241 ⇄ 243	Gobo 79		
244 ⇄ 246	Gobo 80		
247 ⇄ 249	Gobo 81		
250 ⇄ 252	Gobo 82		
253 ⇄ 255	Gobo 83		

Cana	Fonction	Valeur	Pourcentage/Configuration
<b>12</b>	<b>LED Encastré</b>	001 ⇔ 015	Pas de fonction
		016 ⇔ 017	Encastré 1
		018 ⇔ 019	Encastré 2
		020 ⇔ 021	Encastré 3
		022 ⇔ 023	Encastré 4
		024 ⇔ 025	Encastré 5
		026 ⇔ 027	Encastré 6
		028 ⇔ 029	Encastré 7
		030 ⇔ 031	Encastré 8
		032 ⇔ 033	Encastré 9
		034 ⇔ 035	Encastré 10
		036 ⇔ 037	Encastré 11
		038 ⇔ 039	Encastré 12
		040 ⇔ 041	Encastré 13
		042 ⇔ 043	Encastré 14
		044 ⇔ 045	Encastré 15
		046 ⇔ 047	Encastré 16
		048 ⇔ 049	Encastré 17
		050 ⇔ 051	Encastré 18
		052 ⇔ 053	Encastré 19
		054 ⇔ 055	Encastré 20
		056 ⇔ 057	Encastré 21
		058 ⇔ 059	Encastré 22
		060 ⇔ 061	Encastré 23
		062 ⇔ 063	Encastré 24
		064 ⇔ 065	Encastré 25
		066 ⇔ 067	Encastré 26
		068 ⇔ 069	Encastré 27
		070 ⇔ 071	Encastré 28
		072 ⇔ 073	Encastré 29
		074 ⇔ 075	Encastré 30
		076 ⇔ 077	Encastré 31
		078 ⇔ 079	Encastré 32
		080 ⇔ 081	Encastré 33
		082 ⇔ 083	Encastré 34
		084 ⇔ 085	Encastré 35
		086 ⇔ 087	Encastré 36
		088 ⇔ 089	Encastré 37
		090 ⇔ 091	Encastré 38
		092 ⇔ 093	Encastré 39
		094 ⇔ 095	Encastré 40
		096 ⇔ 097	Encastré 41
		098 ⇔ 099	Encastré 42
		100 ⇔ 101	Encastré 43
		102 ⇔ 103	Encastré 44
		104 ⇔ 105	Encastré 45
		106 ⇔ 107	Encastré 46
		108 ⇔ 109	Encastré 47
		110 ⇔ 111	Encastré 48
		112 ⇔ 113	Encastré 49
		114 ⇔ 115	Encastré 50
		116 ⇔ 117	Encastré 51
		118 ⇔ 119	Encastré 52
		120 ⇔ 121	Encastré 53
		122 ⇔ 123	Encastré 54
		124 ⇔ 125	Encastré 55
		126 ⇔ 127	Encastré 56
		128 ⇔ 135	Encastré 57
		136 ⇔ 137	Encastré 58
		138 ⇔ 139	Encastré 59
		140 ⇔ 141	Encastré 60
		142 ⇔ 143	Encastré 61
		144 ⇔ 145	Encastré 62
		146 ⇔ 147	Encastré 63
148 ⇔ 149	Encastré 64		

Cana	Fonction	Valeur	Pourcentage/Configuration
<b>12</b> <b>(suite)</b>	<b>LED Encastré</b> <b>(suite)</b>	150 ⇔ 151	Encastré 65
		152 ⇔ 153	Encastré 66
		154 ⇔ 155	Encastré 67
		156 ⇔ 157	Encastré 68
		158 ⇔ 159	Encastré 69
		160 ⇔ 161	Encastré 70
		162 ⇔ 163	Encastré 71
		164 ⇔ 165	Encastré 72
		166 ⇔ 167	Encastré 73
		168 ⇔ 169	Encastré 74
		170 ⇔ 171	Encastré 75
		172 ⇔ 173	Encastré 76
		174 ⇔ 175	Encastré 77
		176 ⇔ 177	Encastré 78
		178 ⇔ 179	Encastré 79
		180 ⇔ 181	Encastré 80
		182 ⇔ 183	Encastré 81
		184 ⇔ 185	Encastré 82
		186 ⇔ 187	Encastré 83
		188 ⇔ 189	Encastré 84
		190 ⇔ 191	Encastré 85
		192 ⇔ 193	Encastré 86
		194 ⇔ 195	Encastré 87
		196 ⇔ 197	Encastré 88
		198 ⇔ 199	Encastré 89
		200 ⇔ 201	Encastré 90
		202 ⇔ 203	Encastré 91
		204 ⇔ 205	Encastré 92
		206 ⇔ 207	Encastré 93
		208 ⇔ 209	Encastré 94
		210 ⇔ 211	Encastré 95
		212 ⇔ 213	Encastré 96
		214 ⇔ 215	Encastré 97
		216 ⇔ 217	Encastré 98
		218 ⇔ 219	Encastré 99
		220 ⇔ 221	Encastré 100
		222 ⇔ 223	Encastré 101
		224 ⇔ 225	Encastré 102
		226 ⇔ 227	Encastré 103
		228 ⇔ 229	Encastré 104
230 ⇔ 231	Encastré 105		
232 ⇔ 233	Encastré 106		
234 ⇔ 235	Encastré 107		
236 ⇔ 237	Encastré 108		
238 ⇔ 239	Encastré 109		
240 ⇔ 241	Encastré 110		
242 ⇔ 243	Encastré 111		
244 ⇔ 245	Encastré 112		
246 ⇔ 247	Encastré 113		
248 ⇔ 255	Encastré 114		
<b>13</b>	<b>LED Encastré Vitesse</b>	001 ⇔ 127	Rotation horaire, rapide à lent
		128	Arrêt
<b>14</b>	<b>LED Encastré Delay</b>	129 ⇔ 255	Rotation antihoraire, lent à rapide
		000 ⇔ 255	Rapide à lent

Cana	Fonction	Valeur	Pourcentage/Configuration
15	Couleur de Fond Macro	000	Pas de fonction
		001 ⇔ 002	2700K R:156 V: 118 B: 0 B: 63
		003 ⇔ 004	3200K R:156 V: 141 B: 5 B: 89
		005 ⇔ 006	4200K R:156 V: 141 B: 14 B: 255
		007 ⇔ 008	5600K R:156 V: 207 B: 54 B: 255
		009 ⇔ 010	8000K R:130 V: 255 B: 96 B: 255
		11	Bleu R: 0 V: 0 B: 255 B: 0
		012 ⇔ 048	R: 0 V: + B: 255 B: 0
		049	Cian R: 0 V: 255 B: 255 B: 0
		050 ⇔ 086	R: 0 V: 255 B: - B: 0
		087	Vert R: 0 V: 255 B: 0 B: 0
		088 ⇔ 124	R: + V: 255 B: 0 B: 0
		125	Jaune R: 255 V: 255 B: 0 B: 0
		126 ⇔ 162	R: 255 V: - B: 0 B: 0
		163	Rouge R: 255 V: 0 B: 0 B: 0
		164 ⇔ 200	R: 255 V: 0 B: + B: 0
		201	Magenta R: 255 V: 0 B: 255 B: 0
		202 ⇔ 238	R: - V: 0 B: 255 B: 0
		239	Bleu R: 0 V: 0 B: 255 B: 0
		240 ⇔ 247	Le changement de couleur, rapide à lent
248 ⇔ 255	Saut de couleur, rapide à lent		
16	Couleur de Fond Gradateur	000 ⇔ 255	0-100%
17	Fond Rouge	000 ⇔ 255	0-100%
18	Fond Vert	000 ⇔ 255	0-100%
19	Fond Bleu	000 ⇔ 255	0-100%
20	Fond Blanc	000 ⇔ 255	0-100%
21	Zoom	000 ⇔ 255	0-100%
22	Commande	001 ⇔ 009	Pas de fonction
		010 ⇔ 014	Noir général en pan/tilt (5 s pause)
		015 ⇔ 019	Pas de fonction
		020 ⇔ 024	Le mélange RGBW couleur (5 sec.)
		025 ⇔ 029	Le mélange CMY couleur (5 sec.)
		030 ⇔ 034	Pas de fonction
		035 ⇔ 039	Pas de fonction
		040 ⇔ 044	Pas de fonction
		045 ⇔ 049	Pas de fonction
		050 ⇔ 054	Réinitialisation du basculement (5 s pause)
		055 ⇔ 059	Réinitialisation du balayage (5 s pause)
		060 ⇔ 064	Réinitialisation du zoom (5 s pause)
		065 ⇔ 069	Pas de fonction
		070 ⇔ 074	Réinitialisation totale (5 s pause)
		075 ⇔ 079	Pas de fonction
		080 ⇔ 084	Mouvement balayage/basculement inverse (5 s pause)
		085 ⇔ 089	Mouvement balayage inverse (5 s pause)
		090 ⇔ 094	Mouvement basculement inverse (5 s pause)
		095 ⇔ 099	Désactivation du mouvement balayage inverse (5 s pause)
		100 ⇔ 104	Désactivation du mouvement basculement inverse (5 s pause)
		105 ⇔ 109	Désactivation du mouvement balayage/basculement inverse (5 s pause)
		110 ⇔ 114	Pas de fonction
		115 ⇔ 119	Pas de fonction
		120 ⇔ 124	Ventilateur de l'economie (5 s pause)
		125 ⇔ 129	Ventilateur au maximum (5 s pause)
		130 ⇔ 134	Ventilateur auto-régulé (5 s pause)
		135 ⇔ 139	Courbe d'assombrissement rapide (5 s pause)
		140 ⇔ 144	Courbe d'assombrissement douce (5 s pause)
		145 ⇔ 149	Courbe linéaire
		150 ⇔ 154	Courbe carrée
155 ⇔ 159	I Courbe carrée		
160 ⇔ 164	SCourbe		
165 ⇔ 169	Mode blanc activé		
170 ⇔ 174	Mode blanc désactivé		
145 ⇔ 255	Pas de fonction		
23	Rouge (Cyan)	000 ⇔ 255	0-100%

Cana	Fonction	Valeur	Pourcentage/Configuration
24	Vert (Magenta)	000 ⇔ 255	0-100%
25	Bleu (Jaune)	000 ⇔ 255	0-100%
26	Blanc	000 ⇔ 255	0-100%
27	Rouge 1 (Cyan)	000 ⇔ 255	0-100%
28	Vert 1 (Magenta)	000 ⇔ 255	0-100%
29	Bleu 1 (Jaune)	000 ⇔ 255	0-100%
30	Blanc 1	000 ⇔ 255	0-100%
31	Rouge 2 (Cyan)	000 ⇔ 255	0-100%
32	Vert 2 (Magenta)	000 ⇔ 255	0-100%
33	Bleu 2 (Jaune)	000 ⇔ 255	0-100%
34	Blanc 2	000 ⇔ 255	0-100%
35	Rouge 3 (Cyan)	000 ⇔ 255	0-100%
36	Vert 3 (Magenta)	000 ⇔ 255	0-100%
37	Bleu 3 (Jaune)	000 ⇔ 255	0-100%
38	Blanc 3	000 ⇔ 255	0-100%
39	Rouge 4 (Cyan)	000 ⇔ 255	0-100%
40	Vert 4 (Magenta)	000 ⇔ 255	0-100%
41	Bleu 4 (Jaune)	000 ⇔ 255	0-100%
42	Blanc 4	000 ⇔ 255	0-100%
43	Rouge 5 (Cyan)	000 ⇔ 255	0-100%
44	Vert 5 (Magenta)	000 ⇔ 255	0-100%
45	Bleu 5 (Jaune)	000 ⇔ 255	0-100%
46	Blanc 5	000 ⇔ 255	0-100%
47	Rouge 6 (Cyan)	000 ⇔ 255	0-100%
48	Vert 6 (Magenta)	000 ⇔ 255	0-100%
49	Bleu 6 (Jaune)	000 ⇔ 255	0-100%
50	Blanc 6	000 ⇔ 255	0-100%
51	Rouge 7 (Cyan)	000 ⇔ 255	0-100%
52	Vert 7 (Magenta)	000 ⇔ 255	0-100%
53	Bleu 7 (Jaune)	000 ⇔ 255	0-100%
54	Blanc 7	000 ⇔ 255	0-100%
55	Rouge 8 (Cyan)	000 ⇔ 255	0-100%
56	Vert 8 (Magenta)	000 ⇔ 255	0-100%
57	Bleu 8 (Jaune)	000 ⇔ 255	0-100%
58	Blanc 8	000 ⇔ 255	0-100%
59	Rouge 9 (Cyan)	000 ⇔ 255	0-100%
60	Vert 9 (Magenta)	000 ⇔ 255	0-100%
61	Bleu 9 (Jaune)	000 ⇔ 255	0-100%
62	Blanc 9	000 ⇔ 255	0-100%

**21CH**

Cana	Fonction	Valeur	Pourcentage/Configuration
1	Pan	000 ⇔ 255	0-100%
2	Pan Précis	000 ⇔ 255	Contrôle précis (16-bit)
3	Tilt	000 ⇔ 255	0-100%
4	Tilt Précis	000 ⇔ 255	Contrôle précis (16-bit)
5	Vitesse Pan/Tilt	000 ⇔ 255	0-100%
6	Gradateur	000 ⇔ 255	0-100%

Cana	Fonction	Valeur	Pourcentage/Configuration
7	Obturateur	000 ⇔ 019	Fermé
		020 ⇔ 024	Ouvert
		025 ⇔ 064	Lent à rapide
		065 ⇔ 069	Ouvert
		070 ⇔ 084	Activation rapide/désactivation modulée
		085 ⇔ 089	Ouvert
		090 ⇔ 104	Désactivation modulée/activation rapide
		105 ⇔ 109	Ouvert
		110 ⇔ 124	Aléatoire
		125 ⇔ 129	Ouvert
		130 ⇔ 144	Activation rapide/désactivation modulée en mode aléatoire
		145 ⇔ 149	Ouvert
		150 ⇔ 164	Activation lente/désactivation rapide en mode aléatoire
		165 ⇔ 169	Ouvert
		170 ⇔ 184	Pulsation
		185 ⇔ 189	Ouvert
		190 ⇔ 204	Pulsation aléatoire
205 ⇔ 209	Ouvert		
210 ⇔ 224	Activation/désactivation en fondu		
225 ⇔ 229	Ouvert		
230 ⇔ 244	Pulsation		
245 ⇔ 255	Ouvert		
8	CTC	000	Pas de fonction
		001 ⇔ 255	12800 - 10000K
9	Couleur	000	Pas de fonction
		001 ⇔ 002	2700K R:156 V: 118 B: 0 B: 63
		003 ⇔ 004	3200K R:156 V: 141 B: 5 B: 89
		005 ⇔ 006	4200K R:156 V: 141 B: 14 B: 255
		007 ⇔ 008	5600K R:156 V: 207 B: 54 B: 255
		009 ⇔ 010	8000K R:130 V: 255 B: 96 B: 255
		11	Bleu R: 0 V: 0 B: 255 B: 0
		012 ⇔ 048	R: 0 V: + B: 255 B: 0
		049	Cian R: 0 V: 255 B: 255 B: 0
		050 ⇔ 086	R: 0 V: 255 B: - B: 0
		087	Vert R: 0 V: 255 B: 0 B: 0
		088 ⇔ 124	R: + V: 255 B: 0 B: 0
		125	Jaune R: 255 V: 255 B: 0 B: 0
		126 ⇔ 162	R: 255 V: - B: 0 B: 0
		163	Rouge R: 255 V: 0 B: 0 B: 0
		164 ⇔ 200	R: 255 V: 0 B: + B: 0
		201	Magenta R: 255 V: 0 B: 255 B: 0
202 ⇔ 238	R: - V: 0 B: 255 B: 0		
239	Bleu R: 0 V: 0 B: 255 B: 0		
240 ⇔ 247	Le changement de couleur, rapide à lent		
248 ⇔ 255	Saut de couleur, rapide à lent		
10	Gobo	000 ⇔ 003	Pas de fonction
		004 ⇔ 006	Gobo 1
		007 ⇔ 009	Gobo 2
		010 ⇔ 012	Gobo 3
		013 ⇔ 015	Gobo 4
		016 ⇔ 018	Gobo 5
		019 ⇔ 021	Gobo 6
		022 ⇔ 024	Gobo 7
		025 ⇔ 027	Gobo 8
		028 ⇔ 030	Gobo 9
		031 ⇔ 033	Pas de Gobo
		034 ⇔ 036	Gobo 10
		037 ⇔ 039	Gobo 11
		040 ⇔ 042	Gobo 12
		043 ⇔ 045	Gobo 13
		046 ⇔ 048	Gobo 14
		049 ⇔ 051	Gobo 15
052 ⇔ 054	Gobo 16		
055 ⇔ 057	Gobo 17		

Cana	Fonction	Valeur	Pourcentage/Configuration
		058 ⇔ 060	Gobo 18
		061 ⇔ 063	Gobo 19
		064 ⇔ 066	Gobo 20
		067 ⇔ 069	Gobo 21
		070 ⇔ 072	Gobo 22
		073 ⇔ 075	Gobo 23
		076 ⇔ 078	Gobo 24
		079 ⇔ 081	Gobo 25
		082 ⇔ 084	Gobo 26
		085 ⇔ 087	Gobo 27
		088 ⇔ 090	Gobo 28
		091 ⇔ 093	Gobo 29
		094 ⇔ 096	Gobo 30
		097 ⇔ 099	Gobo 31
		100 ⇔ 102	Gobo 32
		103 ⇔ 105	Gobo 33
		106 ⇔ 108	Gobo 34
		109 ⇔ 111	Gobo 35
		112 ⇔ 114	Gobo 36
		115 ⇔ 117	Gobo 37
		118 ⇔ 120	Gobo 38
		121 ⇔ 123	Gobo 39
		124 ⇔ 126	Gobo 40
		127 ⇔ 129	Gobo 41
		130 ⇔ 132	Gobo 42
		133 ⇔ 135	Gobo 43
		136 ⇔ 138	Gobo 44
		139 ⇔ 141	Gobo 45
		142 ⇔ 144	Gobo 46
		145 ⇔ 147	Gobo 47
		148 ⇔ 150	Gobo 48
		151 ⇔ 153	Gobo 49
		154 ⇔ 156	Gobo 50
		157 ⇔ 159	Gobo 51
		160 ⇔ 162	Gobo 52
		163 ⇔ 165	Gobo 53
		166 ⇔ 168	Gobo 54
		169 ⇔ 171	Gobo 55
		172 ⇔ 174	Gobo 56
		175 ⇔ 177	Gobo 57
		178 ⇔ 180	Gobo 58
		181 ⇔ 183	Gobo 59
		184 ⇔ 186	Gobo 60
		187 ⇔ 189	Gobo 61
		190 ⇔ 192	Gobo 62
		193 ⇔ 195	Gobo 63
		196 ⇔ 198	Gobo 64
		199 ⇔ 201	Gobo 65
		202 ⇔ 204	Gobo 66
		205 ⇔ 207	Gobo 67
		208 ⇔ 210	Gobo 68
		211 ⇔ 213	Gobo 69
		214 ⇔ 216	Gobo 70
		217 ⇔ 219	Gobo 71
		220 ⇔ 222	Gobo 72
		223 ⇔ 225	Gobo 73
		226 ⇔ 228	Gobo 74
		229 ⇔ 231	Gobo 75
		232 ⇔ 234	Gobo 76
		235 ⇔ 237	Gobo 77
		238 ⇔ 240	Gobo 78
		241 ⇔ 243	Gobo 79
		244 ⇔ 246	Gobo 80
		247 ⇔ 249	Gobo 81
		250 ⇔ 252	Gobo 82
		253 ⇔ 255	Gobo 83
<b>10 (suite)</b>	<b>Gobo (suite)</b>		

Cana	Fonction	Valeur	Pourcentage/Configuration
11	LED Encastré	001 ⇔ 015	Pas de fonction
		016 ⇔ 017	Encastré 1
		018 ⇔ 019	Encastré 2
		020 ⇔ 021	Encastré 3
		022 ⇔ 023	Encastré 4
		024 ⇔ 025	Encastré 5
		026 ⇔ 027	Encastré 6
		028 ⇔ 029	Encastré 7
		030 ⇔ 031	Encastré 8
		032 ⇔ 033	Encastré 9
		034 ⇔ 035	Encastré 10
		036 ⇔ 037	Encastré 11
		038 ⇔ 039	Encastré 12
		040 ⇔ 041	Encastré 13
		042 ⇔ 043	Encastré 14
		044 ⇔ 045	Encastré 15
		046 ⇔ 047	Encastré 16
		048 ⇔ 049	Encastré 17
		050 ⇔ 051	Encastré 18
		052 ⇔ 053	Encastré 19
		054 ⇔ 055	Encastré 20
		056 ⇔ 057	Encastré 21
		058 ⇔ 059	Encastré 22
		060 ⇔ 061	Encastré 23
		062 ⇔ 063	Encastré 24
		064 ⇔ 065	Encastré 25
		066 ⇔ 067	Encastré 26
		068 ⇔ 069	Encastré 27
		070 ⇔ 071	Encastré 28
		072 ⇔ 073	Encastré 29
		074 ⇔ 075	Encastré 30
		076 ⇔ 077	Encastré 31
		078 ⇔ 079	Encastré 32
		080 ⇔ 081	Encastré 33
		082 ⇔ 083	Encastré 34
		084 ⇔ 085	Encastré 35
		086 ⇔ 087	Encastré 36
		088 ⇔ 089	Encastré 37
		090 ⇔ 091	Encastré 38
		092 ⇔ 093	Encastré 39
		094 ⇔ 095	Encastré 40
		096 ⇔ 097	Encastré 41
		098 ⇔ 099	Encastré 42
		100 ⇔ 101	Encastré 43
		102 ⇔ 103	Encastré 44
		104 ⇔ 105	Encastré 45
		106 ⇔ 107	Encastré 46
		108 ⇔ 109	Encastré 47
		110 ⇔ 111	Encastré 48
		112 ⇔ 113	Encastré 49
		114 ⇔ 115	Encastré 50
		116 ⇔ 117	Encastré 51
		118 ⇔ 119	Encastré 52
		120 ⇔ 121	Encastré 53
		122 ⇔ 123	Encastré 54
		124 ⇔ 125	Encastré 55
		126 ⇔ 127	Encastré 56
		128 ⇔ 135	Encastré 57
		136 ⇔ 137	Encastré 58
		138 ⇔ 139	Encastré 59
		140 ⇔ 141	Encastré 60
		142 ⇔ 143	Encastré 61
		144 ⇔ 145	Encastré 62
		146 ⇔ 147	Encastré 63
148 ⇔ 149	Encastré 64		



Cana	Fonction	Valeur	Pourcentage/Configuration
<b>11</b> <b>(suite)</b>	<b>LED Encastré</b> <b>(suite)</b>	150 ⇔ 151	Encastré 65
		152 ⇔ 153	Encastré 66
		154 ⇔ 155	Encastré 67
		156 ⇔ 157	Encastré 68
		158 ⇔ 159	Encastré 69
		160 ⇔ 161	Encastré 70
		162 ⇔ 163	Encastré 71
		164 ⇔ 165	Encastré 72
		166 ⇔ 167	Encastré 73
		168 ⇔ 169	Encastré 74
		170 ⇔ 171	Encastré 75
		172 ⇔ 173	Encastré 76
		174 ⇔ 175	Encastré 77
		176 ⇔ 177	Encastré 78
		178 ⇔ 179	Encastré 79
		180 ⇔ 181	Encastré 80
		182 ⇔ 183	Encastré 81
		184 ⇔ 185	Encastré 82
		186 ⇔ 187	Encastré 83
		188 ⇔ 189	Encastré 84
		190 ⇔ 191	Encastré 85
		192 ⇔ 193	Encastré 86
		194 ⇔ 195	Encastré 87
		196 ⇔ 197	Encastré 88
		198 ⇔ 199	Encastré 89
		200 ⇔ 201	Encastré 90
		202 ⇔ 203	Encastré 91
		204 ⇔ 205	Encastré 92
		206 ⇔ 207	Encastré 93
		208 ⇔ 209	Encastré 94
		210 ⇔ 211	Encastré 95
		212 ⇔ 213	Encastré 96
		214 ⇔ 215	Encastré 97
		216 ⇔ 217	Encastré 98
		218 ⇔ 219	Encastré 99
		220 ⇔ 221	Encastré 100
		222 ⇔ 223	Encastré 101
		224 ⇔ 225	Encastré 102
		226 ⇔ 227	Encastré 103
		228 ⇔ 229	Encastré 104
230 ⇔ 231	Encastré 105		
232 ⇔ 233	Encastré 106		
234 ⇔ 235	Encastré 107		
236 ⇔ 237	Encastré 108		
238 ⇔ 239	Encastré 109		
240 ⇔ 241	Encastré 110		
242 ⇔ 243	Encastré 111		
244 ⇔ 245	Encastré 112		
246 ⇔ 247	Encastré 113		
248 ⇔ 255	Encastré 114		
<b>12</b>	<b>LED Encastré Vitesse</b>	001 ⇔ 127	Rotation horaire, rapide à lent
		128	Arrêt
		129 ⇔ 255	Rotation antihoraire, lent à rapide
<b>13</b>	<b>LED Encastré Delay</b>	000 ⇔ 255	Rapide à lent

Cana	Fonction	Valeur	Pourcentage/Configuration
14	Couleur de Fond Macro	000	Pas de fonction
		001 ⇔ 002	2700K R:156 V: 118 B: 0 B: 63
		003 ⇔ 004	3200K R:156 V: 141 B: 5 B: 89
		005 ⇔ 006	4200K R:156 V: 141 B: 14 B: 255
		007 ⇔ 008	5600K R:156 V: 207 B: 54 B: 255
		009 ⇔ 010	8000K R:130 V: 255 B: 96 B: 255
		11	Bleu R: 0 V: 0 B: 255 B: 0
		012 ⇔ 048	R: 0 V: + B: 255 B: 0
		049	Cian R: 0 V: 255 B: 255 B: 0
		050 ⇔ 086	R: 0 V: 255 B: - B: 0
		087	Vert R: 0 V: 255 B: 0 B: 0
		088 ⇔ 124	R: + V: 255 B: 0 B: 0
		125	Jaune R: 255 V: 255 B: 0 B: 0
		126 ⇔ 162	R: 255 V: - B: 0 B: 0
		163	Rouge R: 255 V: 0 B: 0 B: 0
		164 ⇔ 200	R: 255 V: 0 B: + B: 0
		201	Magenta R: 255 V: 0 B: 255 B: 0
		202 ⇔ 238	R: - V: 0 B: 255 B: 0
		239	Bleu R: 0 V: 0 B: 255 B: 0
		240 ⇔ 247	Le changement de couleur, rapide à lent
248 ⇔ 255	Saut de couleur, rapide à lent		
15	Couleur de Fond Gradateur	000 ⇔ 255	0-100%
16	Zoom	000 ⇔ 255	0-100%
17	Commande	001 ⇔ 009	Pas de fonction
		010 ⇔ 014	Noir général en pan/tilt (5 s pause)
		015 ⇔ 019	Pas de fonction
		020 ⇔ 024	Le mélange RGBW couleur (5 sec.)
		025 ⇔ 029	Le mélange CMY couleur (5 sec.)
		030 ⇔ 034	Pas de fonction
		035 ⇔ 039	Pas de fonction
		040 ⇔ 044	Pas de fonction
		045 ⇔ 049	Pas de fonction
		050 ⇔ 054	Réinitialisation du basculement (5 s pause)
		055 ⇔ 059	Réinitialisation du balayage (5 s pause)
		060 ⇔ 064	Réinitialisation du zoom (5 s pause)
		065 ⇔ 069	Pas de fonction
		070 ⇔ 074	Réinitialisation totale (5 s pause)
		075 ⇔ 079	Pas de fonction
		080 ⇔ 084	Mouvement balayage/basculement inverse (5 s pause)
		085 ⇔ 089	Mouvement balayage inverse (5 s pause)
		090 ⇔ 094	Mouvement basculement inverse (5 s pause)
		095 ⇔ 099	Désactivation du mouvement balayage inverse (5 s pause)
		100 ⇔ 104	Désactivation du mouvement basculement inverse (5 s pause)
		105 ⇔ 109	Désactivation du mouvement balayage/basculement inverse (5 s pause)
		110 ⇔ 114	Pas de fonction
		115 ⇔ 119	Pas de fonction
		120 ⇔ 124	Ventilateur de l'economie (5 s pause)
		125 ⇔ 129	Ventilateur au maximum (5 s pause)
		130 ⇔ 134	Ventilateur auto-régulé (5 s pause)
		135 ⇔ 139	Courbe d'assombrissement rapide (5 s pause)
140 ⇔ 144	Courbe d'assombrissement douce (5 s pause)		
145 ⇔ 149	Courbe linéaire		
150 ⇔ 154	Courbe carrée		
155 ⇔ 159	I Courbe carrée		
160 ⇔ 164	SCourbe		
165 ⇔ 169	Mode blanc activé		
170 ⇔ 174	Mode blanc désactivé		
145 ⇔ 255	Pas de fonction		
18	Rouge (Cyan)	000 ⇔ 255	0-100%
19	Vert (Magenta)	000 ⇔ 255	0-100%
20	Bleu (Jaune)	000 ⇔ 255	0-100%
21	Blanc	000 ⇔ 255	0-100%

## Über diese Schnellanleitung

In der Schnellanleitung des Rogue R3X Wash finden Sie die wesentlichen Produktinformationen, wie etwa über die Montage, Menüoptionen und DMX-Werte des Geräts. Laden Sie für weiterführende Informationen unter [www.chauvetprofessional.com](http://www.chauvetprofessional.com) das Benutzerhandbuch herunter.

### Haftungsausschluss

Die in dieser Anleitung aufgeführten Informationen und Spezifikationen können ohne vorherige Ankündigung geändert werden.

### EINGESCHRÄNKTE GARANTIE

**ZUR REGISTRIERUNG FÜR GARANTIEANSPRÜCHE UND ZUR EINSICHT IN DIE VOLLSTÄNDIGEN GESCHÄFTSBEDINGUNGEN BESUCHEN SIE BITTE UNSERE WEBSITE.**

**Für Kunden in den USA und in Mexiko:** [www.chauvetlighting.com/warranty-registration](http://www.chauvetlighting.com/warranty-registration).

**Für Kunden im Vereinigten Königreich, in Irland, Belgien, den Niederlanden, Luxemburg, Frankreich und Deutschland:** [www.chauvetlighting.eu/warranty-registration](http://www.chauvetlighting.eu/warranty-registration).

Chauvet garantiert für die in der auf unserer Website veröffentlichten vollständigen eingeschränkten Garantie genannten Dauer und unter Vorbehalt der darin genannten Haftungsausschlüsse und -beschränkungen, dass dieses Produkt bei normalen Gebrauch frei von Material- und Verarbeitungsfehlern ist. Diese Garantie erstreckt sich nur auf den Erstkäufer des Produkts und ist nicht übertragbar. Zur Ausübung der unter dieser Garantie gewährten Rechte ist der Kaufbeleg in Form der Originalrechnung von einem autorisierten Händler vorzulegen, in der die Produktbezeichnung und das Kaufdatum vermerkt sein müssen. **ES BESTEHEN KEINE WEITEREN AUSDRÜCKLICHEN ODER STILLSCHWEIGENDEN GARANTIEEN.** Diese Garantie gibt Ihnen besondere gesetzliche Rechte. Und Sie haben möglicherweise weitere Rechte, die von Land zu Land unterschiedlich sein können. Diese Garantie ist nur in den USA, im Vereinigten Königreich, in Irland, Belgien, den Niederlanden, Luxemburg, Frankreich, Deutschland und Mexiko gültig. Bezüglich der Garantiebestimmungen in anderen Ländern wenden Sie sich bitte an Ihren lokalen Händler.

### Sicherheitshinweise

- Dieses Gerät NICHT öffnen. Die eingebauten Komponenten sind für den Kunden wartungsfrei.
- NIEMALS in die Lichtquelle schauen, während das Gerät eingeschaltet ist.
- Um unnötigen Verschleiß zu vermeiden und die Lebensdauer des Geräts zu verlängern, trennen Sie während längerer Perioden des Nichtgebrauchs das Gerät vom Stromnetz – entweder per Trennschalter oder durch Herausziehen des Steckers aus der Steckdose.
- VORSICHT: Beim Transport des Geräts von einer Umgebung mit außergewöhnlichen Temperaturen in eine andere solche Umgebung (z. B. aus einem kalten Transporter in einen warm-feuchten Ballsaal) kann an der im Gerät enthaltenen Elektronik Wasser kondensieren. Um einen Defekt zu vermeiden, muss sich das Gerät erst in der neuen Umgebung akklimatisiert haben, bevor es an die Stromversorgung angeschlossen werden kann.
- VORSICHT: Das Gehäuse dieses Produkts kann während des Betriebs heiß werden.
- Installieren Sie das Gerät an einem Ort mit ausreichender Belüftung und mit einem Abstand von mindestens 50 cm zu den angrenzenden Flächen.
- Belassen Sie KEINE entflammbar Materialien in einem Umkreis von 20 cm dieses Geräts, während es in Betrieb oder an der Stromversorgung angeschlossen ist.
- VERWENDEN Sie bei Montage über Kopf immer ein Sicherheitsseil.
- Nehmen Sie das Gerät NICHT im Freien oder an einem Ort in Betrieb, der durch Staubentwicklung, übermäßige Hitze, Wasser oder hohe Luftfeuchtigkeit charakterisiert ist. (IP20)
- NIEMALS das Gerät in Betrieb nehmen, wenn Ihnen das Gehäuse, die Linsen oder das Kabel beschädigt erscheinen.
- Schließen Sie dieses Gerät NICHT an einen Dimmer oder Regelwiderstand an.
- Schließen Sie dieses Produkt NUR an einen mit der Erde verbundenen und geschützten Stromkreis an.
- Das Gerät NUR an den Hänge-/Befestigungsbügeln oder Griffen tragen.
- Bei ernsthaften Betriebsproblemen stoppen Sie umgehend die Verwendung des Geräts.
- Die maximal zulässige Umgebungstemperatur beträgt 45 °C. Nehmen Sie das Gerät nicht bei höheren Temperaturen in Betrieb.
- Die Leuchte sollte so positioniert werden, dass ein langes starres Schauen in die Leuchte in einem Abstand von weniger als 3,5 m nicht zu erwarten ist.
- Ist das externe flexible Kabel dieser Leuchte beschädigt, muss es durch ein gleichwertiges Kabel oder ein ausschließlich vom Hersteller oder dessen Vertriebspartner erhältliches Kabel ersetzt werden.
- Das in dieser Leuchte enthaltene Leuchtmittel darf nur vom Hersteller oder dessen Vertriebspartner oder einer ähnlich qualifizierten Person ausgetauscht werden.
- Die Leuchte ist ausschließlich für den professionellen Einsatz bestimmt.

### FCC-Konformität

Dieses Gerät erfüllt Teil 15, Teil B, der FCC-Bestimmungen. Der Betrieb ist an folgende zwei Bedingungen geknüpft:

1. Dieses Gerät darf keine schädlichen Interferenzen verursachen, und
2. Dieses Gerät muss empfangende Interferenzen aufnehmen können, auch Interferenzen, die eventuell einen unerwünschten Betrieb verursachen.

Jegliche Änderungen oder Modifikationen, die nicht ausdrücklich von der Partei genehmigt wurden, die für die Compliance zuständig ist, könnten die Berechtigung des Benutzers zum Betrieb dieses Geräts aufheben.

## Kontakt

Kunden außerhalb der USA, GB, Irland, Benelux, Frankreich, Deutschland oder Mexiko wenden sich an ihren Lieferanten, um den Kundensupport in Anspruch zu nehmen oder ein Produkt zurückzuschicken. Kontaktinformationen finden Sie im [Contact Us](#) am Ende dieses QRG.

## Packungsinhalt

- Rogue R3X Wash mit Blendschutz
- Neutrik® powerCON® Netzkabel
- 2 Omega-Hängebügel
- Schnellanleitung

## Wechselstrom

Dieses Gerät verfügt über ein Vorschaltgerät, das automatisch die anliegende Spannung erkennt, sobald der Netzstecker in die Schukosteckdose gesteckt wird, und kann mit einer Eingangsspannung von 100~240 V AC, 50/60 Hz arbeiten.

## Serienschaltung der Geräte

Sie können bis zu 2 Rogue R3X Wash-Geräte bei 100/120 V AC oder 4 Geräte bei 208/230/240 V AC in Serie schalten. Diese Anzahl niemals überschreiten! Stromkabel für die Serienschaltung können separat erworben werden.

## Wechselstromstecker

Anschluss	Draht (USA)	Draht (Europa)	Schraubenfarbe
Stromführender AC-Leiter	Schwarz	Braun	Gelb/Messingfarben
AC-Neutralleiter	Weiß	Blau	Silber
AC-Erdungsleiter	Grün/Gelb	Grün/Gelb	Grün



**Um unnötigen Verschleiß zu vermeiden und die Lebensdauer des Geräts zu verlängern, trennen Sie während längerer Perioden des Nichtgebrauchs das Gerät vom Stromnetz – entweder per Trennschalter oder durch Herausziehen des Steckers aus der Steckdose.**

## Auswechseln der Sicherung

1. Trennen Sie das Gerät vom Stromnetz.
2. Mit einem Flachkopfschraubendreher lösen Sie die Abdeckung des Sicherungshalters vom Gehäuse.
3. Entfernen Sie die durchgebrannte Sicherung, und ersetzen Sie diese durch eine Sicherung des gleichen Typs und mit den gleichen Werten.
4. Schrauben Sie die Abdeckung der Sicherung wieder ein, und schließen Sie das Gerät wieder an das Stromnetz an.

## DMX-Verbindung

Der Rogue R3X Wash kann mit einem DMX-Controller betrieben werden, wenn eine 3- oder 5-polige DMX-Serienschaltung zum Einsatz kommt. Sie können sich eine Einführung in DMX unter [www.chauvetprofessional.com](http://www.chauvetprofessional.com) herunterladen.

## DMX-Anschluss

Der Rogue R3X Wash nutzt zur seiner Kontrollpersönlichkeiten: **21CH**, **62CH**, **71CH**, und **107CH** eine 3- oder 5-polige DMX-Datenverbindung. Informationen zum Anschließen und Konfigurieren des Geräts für einen DMX-Betrieb finden Sie in der Bedienungsanleitung.

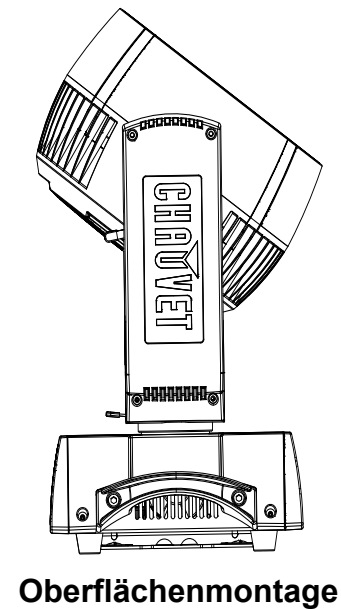
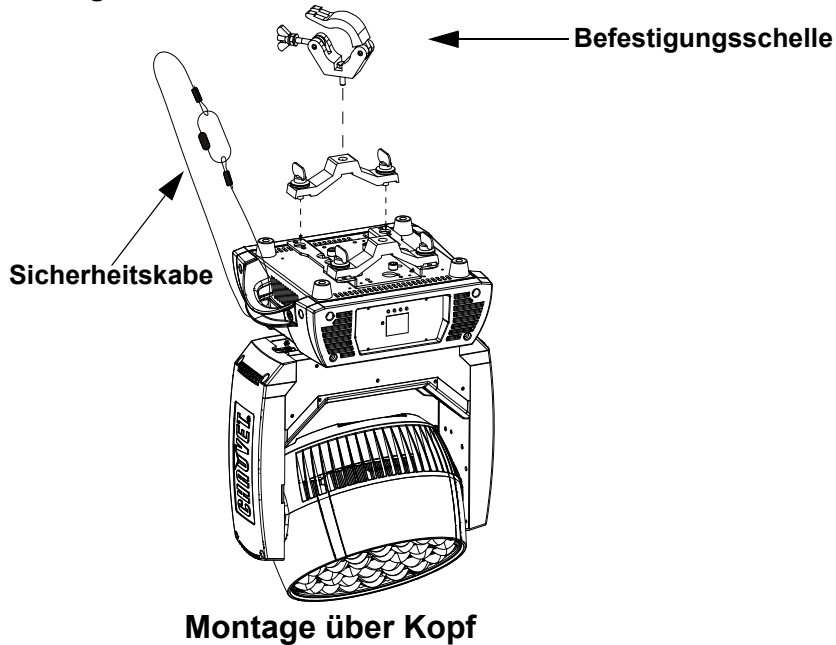
## RDM (Remote Device Management)

Remote Device Management bzw. RDM ist ein Standard, mit dem DMX-aktivierte Geräte bidirektional entlang bestehender DMX-Kabel kommunizieren können. Lesen Sie die Bedienungsanleitung des DMX-Controllers oder wenden Sie sich an den Hersteller, da nicht alle DMX-Controller über diese Funktion verfügt. Der Rogue R3X Wash unterstützt das RDM-Protokoll, das ein Feedback zur Vornahme von Änderungen der Menüoptionen erlaubt. Laden Sie für weiterführende Informationen unter [www.chauvetprofessional.com](http://www.chauvetprofessional.com) das Benutzerhandbuch herunter.

## Montage

Lesen Sie vor der Montage dieses Geräts die [Sicherheitshinweise](#) durch. Mindestens ein Befestigungspunkt pro Gerät verwenden. Stellen Sie sicher, dass die Befestigungsklemmen dafür ausgelegt sind, das Produktgewicht tragen zu können. Informationen zu unserer CHAUVET-Produktlinie für Befestigungsklemmen finden Sie unter <http://trusst.com/productcategory/truss-clamps/>.

### Montageansicht



## Beschreibung des Bedienfeldes

Taste	Funktion
<MENU>	Damit verlassen Sie das aktuelle Menü oder die Funktion
<ENTER>	Damit wird das aktuell angezeigte Menü aktiviert oder der aktuell ausgewählte Wert einer Funktion eingestellt
<UP>	Damit navigieren Sie sich durch die Menüpunkte nach oben und erhöhen den numerischen Wert der entsprechenden Funktion
<DOWN>	Damit navigieren Sie sich durch die Menüpunkte nach unten und verringern den numerischen Wert der entsprechenden Funktion

### Menüstruktur

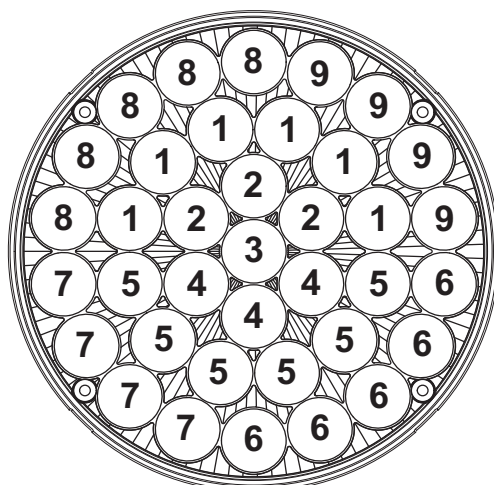
Die neueste Menükarte finden Sie auf der Rogue R3X Wash-produktseite unter [www.chauvetprofessional.com](http://www.chauvetprofessional.com)

Hauptebene	Programmirebenen		Beschreibung	
<b>Address</b>	<b>001-512</b>		Stellt die Startadresse ein	
<b>Running Mode</b>	<b>DMX</b>	<b>21</b>	Wählt die DMX-Persönlichkeit aus	
		<b>62</b>		
		<b>71</b>		
		<b>107</b>		
	<b>Auto Test</b>		Automatischer Test aller Funktionen	
	<b>Manual Test</b>	<b>Pan</b>	<b>000-255</b>	Manuelle Steuerung und Test aller Einstellungen vom Bedienfeld aus
		<b>Tilt</b>		
		<b>P/T Speed</b>		
		<b>Red</b>		
		<b>Green</b>		
		<b>Blue</b>		
		<b>White</b>		
		<b>CTC</b>		
		<b>Color</b>		
		<b>Pattern</b>		
<b>LED Macro</b>				
<b>LED Ma. Speed</b>				
<b>LED Ma. Fade</b>				
<b>Background</b>				
<b>Background Dim.</b>				
<b>Dimmer</b>				
<b>Shutter</b>				
<b>Zoom</b>				
<b>Setup</b>	<b>Pan Reverse</b>	<b>OFF</b>	Schwenk Normal	
		<b>ON</b>	Umgekehrte Schwenkung	
	<b>Tilt Reverse</b>	<b>OFF</b>	Neigung Normal	
		<b>ON</b>	Umgekehrte Neigung	
	<b>Zoom Reverse</b>	<b>OFF</b>	Zoomen Normal	
		<b>ON</b>	Umgekehrte Zoomen	
	<b>Pan Angle</b>	<b>540</b>	Schwenkbereich 540°	
		<b>360</b>	Schwenkbereich 360°	
		<b>180</b>	Schwenkbereich 180°	
	<b>Tilt Angle</b>	<b>230</b>	Neigungsbereich 230°	
		<b>180</b>	Neigungsbereich 180°	
		<b>90</b>	Neigungsbereich 90°	
	<b>XY Mode</b>	<b>Fast</b>	Stellt die Schwenk- / Neigegeschwindigkeit ein	
		<b>Slow</b>		
	<b>Fans</b>	<b>Auto</b>	Lüfterdrehzahl gemäß Gerätetemperatur	
		<b>ECO</b>	Lautloser Modus	
		<b>Full</b>	Lüfterdrehzahl auf volle Drehzahl	
	<b>Display</b>	<b>OFF</b>	Anzeige schaltet aus	
<b>ON</b>		Anzeige bleibt an		
<b>Screen Rev</b>	<b>OFF</b>	Normale Anzeige		
	<b>ON</b>	Umgekehrte Anzeige		

Hauptebene	Programmirebenen			Beschreibung	
<b>Setup (cont.)</b>	<b>C Mixing Mode</b>	<b>RGBW</b>		Produkt mischt Farbe mit der RGBW-Methode	
		<b>CMY</b>		Produkt mischt Farbe mit der CMY-Methode	
	<b>Dimmer Curve</b>	<b>Linear</b>		Stellt die Dimmungskurve ein	
		<b>Square</b>			
		<b>I Squa</b>			
		<b>Scurve</b>			
	<b>Dimmer Speed</b>	<b>Smooth</b>		Glatter Dimmergeschwindigkeit	
		<b>Fast</b>		Schneller Dimmergeschwindigkeit	
	<b>PWM Option</b>	<b>600Hz</b>		Stellt die PWM-Frequenz ein	
		<b>1200Hz</b>			
		<b>2000Hz</b>			
		<b>4000Hz</b>			
		<b>6000Hz</b>			
	<b>Color calibration</b>	<b>ON</b>		Verwendet die werksseitig voreingestellte Standardeinstellung "Weiß"	
		<b>OFF</b>		Verwendet den maximalen Ausgabewert	
		<b>Custom</b>	<b>RED</b>	<b>100-255</b>	Stellt den maximalen Wert der roten LED ein
			<b>GREEN</b>		Stellt den maximalen Wert der grünen LED ein
	<b>BLUE</b>		Stellt den maximalen Wert der blauen LED ein		
	<b>White Mode</b>	<b>On</b>		Kalibriert Weiß auf 7500K	
		<b>Off</b>		Verwendet maximale Ausgabewerte	
<b>Custom</b>		<b>RED</b>		Stellt den maximalen Wert der roten LED ein	
		<b>GREEN</b>		Stellt den maximalen Wert der grünen LED ein	
		<b>BLUE</b>		Stellt den maximalen Wert der blauen LED ein	
	<b>WHITE</b>		Stellt den maximalen Wert der weißen LED ein		
<b>Reset Function</b>	<b>Pan/Tilt</b>	<b>Yes</b>	Setzt einzelne oder alle Funktionen ab Start zurück		
		<b>No</b>			
	<b>Zoom</b>	<b>Yes</b>			
		<b>No</b>			
<b>All</b>	<b>Yes</b>				
	<b>No</b>				
<b>Factory Reset</b>	<b>Yes</b>		Setzt auf die standardmäßigen Werkseinstellungen zurück		
	<b>No</b>				
<b>Sys Info</b>	<b>Ver</b>		Zeigt die Firmware-Version an		
	<b>Running Mode</b>		Zeigt den aktuellen Betriebsmodus an		
	<b>DMX Address</b>		Zeigt die aktuelle DMX-Startadresse an		
	<b>Temperature</b>		Zeigt die aktuelle Temperatur in °C an		
	<b>Fixture Time</b>		Zeigt an, wie lange das Gerät eingeschaltet gewesen ist		
	<b>UID</b>		Zeigt die Produkt-UID an		



Rogue R3X Wash Zonen für die DMX-Steuerung



DMX Werte  
107CH

Channel	Function	Value	Percent/Setting
1	Schwenkung	000 ⇔ 255	0–100%
2	Feinschwenkung	000 ⇔ 255	Feinkontrolle (16-Bit)
3	Neigung	000 ⇔ 255	0–100%
4	Feinneigung	000 ⇔ 255	Feinkontrolle (16-Bit)
5	S/N Geschwindigkeit	000 ⇔ 255	Schwenkung/Neigung Geschwindigkeit, schnell bis langsam
6	Dimmer	000 ⇔ 255	0–100%
7	Feine Dimmer	000 ⇔ 255	Feinkontrolle (16-Bit)
8	Stroboskop	000 ⇔ 019	Aus
		020 ⇔ 024	Ein
		025 ⇔ 064	Strobe 1 mit abnehmender Geschwindigkeit
		065 ⇔ 069	Ein
		070 ⇔ 084	Strobe 2 (schnell ein, langsam aus) mit abnehmender Geschwindigkeit
		085 ⇔ 089	Ein
		090 ⇔ 104	Strobe 3 (langsam ein, schnell aus) mit abnehmender Geschwindigkeit
		105 ⇔ 109	Ein
		110 ⇔ 124	Strobe 4 (zufälliger Strobe) mit abnehmender Geschwindigkeit
		125 ⇔ 129	Ein
		130 ⇔ 144	Strobe 5 (zufällig, schnell ein, langsam aus) mit abnehmender Geschwindigkeit
		145 ⇔ 149	Ein
		150 ⇔ 164	Strobe 6 (zufällig, langsam ein, schnell aus) mit abnehmender Geschwindigkeit
		165 ⇔ 169	Ein
		170 ⇔ 184	Strobe 7 (Puls Strobe) mit abnehmender Geschwindigkeit
		185 ⇔ 189	Ein
190 ⇔ 204	Strobe 8 (Zufallsimpuls-Strobe) mit abnehmender Geschwindigkeit		
205 ⇔ 209	Ein		
210 ⇔ 224	Strobe 9 (Ein- oder Ausblenden) mit abnehmender Geschwindigkeit		
225 ⇔ 229	Ein		
230 ⇔ 244	Strobe 10 (Puls Strobe) mit abnehmender Geschwindigkeit		
245 ⇔ 255	Ein		
9	CTC	000	Keine Funktion
		001 ⇔ 255	2800 to 10.000K



Channel	Function	Value	Percent/Setting					
<b>10</b>	<b>Farb</b>	000	Keine Funktion					
		001 ⇔ 002	2700K	R:156	G: 118	B: 0	W: 63	
		003 ⇔ 004	3200K	R:156	G: 141	B: 5	W: 89	
		005 ⇔ 006	4200K	R:156	G: 141	B: 14	W: 255	
		007 ⇔ 008	5600K	R:156	G: 207	B: 54	W: 255	
		009 ⇔ 010	8000K	R:130	G: 255	B: 96	W: 255	
		11	Blau	R: 0	G: 0	B: 255	W: 0	
		012 ⇔ 048		R: 0	G: +	B: 255	W: 0	
		049	Cyan	R: 0	G: 255	B: 255	W: 0	
		050 ⇔ 086		R: 0	G: 255	B: -	W: 0	
		087	Grün	R: 0	G: 255	B: 0	W: 0	
		088 ⇔ 124		R: +	G: 255	B: 0	W: 0	
		125	Gelb	R: 255	G: 255	B: 0	W: 0	
		126 ⇔ 162		R: 255	G: -	B: 0	W: 0	
		163	Rot	R: 255	G: 0	B: 0	W: 0	
		164 ⇔ 200		R: 255	G: 0	B: +	W: 0	
		201	Magenta	R: 255	G: 0	B: 255	W: 0	
		202 ⇔ 238		R: -	G: 0	B: 255	W: 0	
		239	Blau	R: 0	G: 0	B: 255	W: 0	
		240 ⇔ 247	Regenbogenfarben kreiseln, schnell bis langsam					
		248 ⇔ 255	Augenblicklich Farbänderung, schnell bis langsam					
		<b>11</b>	<b>Gobo</b>	000 ⇔ 003	Keine Funktion			
				004 ⇔ 006	Gobo 1			
				007 ⇔ 009	Gobo 2			
010 ⇔ 012	Gobo 3							
013 ⇔ 015	Gobo 4							
016 ⇔ 018	Gobo 5							
019 ⇔ 021	Gobo 6							
022 ⇔ 024	Gobo 7							
025 ⇔ 027	Gobo 8							
028 ⇔ 030	Gobo 9							
031 ⇔ 033	No Gobo							
034 ⇔ 036	Gobo 10							
037 ⇔ 039	Gobo 11							
040 ⇔ 042	Gobo 12							
043 ⇔ 045	Gobo 13							
046 ⇔ 048	Gobo 14							
049 ⇔ 051	Gobo 15							
052 ⇔ 054	Gobo 16							
055 ⇔ 057	Gobo 17							
058 ⇔ 060	Gobo 18							
061 ⇔ 063	Gobo 19							
064 ⇔ 066	Gobo 20							
067 ⇔ 069	Gobo 21							
070 ⇔ 072	Gobo 22							
073 ⇔ 075	Gobo 23							
076 ⇔ 078	Gobo 24							
079 ⇔ 081	Gobo 25							
082 ⇔ 084	Gobo 26							
085 ⇔ 087	Gobo 27							
088 ⇔ 090	Gobo 28							
091 ⇔ 093	Gobo 29							
094 ⇔ 096	Gobo 30							
097 ⇔ 099	Gobo 31							
100 ⇔ 102	Gobo 32							
103 ⇔ 105	Gobo 33							
106 ⇔ 108	Gobo 34							
109 ⇔ 111	Gobo 35							
112 ⇔ 114	Gobo 36							
115 ⇔ 117	Gobo 37							
118 ⇔ 120	Gobo 38							
121 ⇔ 123	Gobo 39							
124 ⇔ 126	Gobo 40							

# SCHNELLANLEITUNG



DE

Channel	Function	Value	Percent/Setting
<b>11</b> (Fortsetzung)	<b>Gobo</b> (Fortsetzung)	127 ⇔ 129	Gobo 41
		130 ⇔ 132	Gobo 42
		133 ⇔ 135	Gobo 43
		136 ⇔ 138	Gobo 44
		139 ⇔ 141	Gobo 45
		142 ⇔ 144	Gobo 46
		145 ⇔ 147	Gobo 47
		148 ⇔ 150	Gobo 48
		151 ⇔ 153	Gobo 49
		154 ⇔ 156	Gobo 50
		157 ⇔ 159	Gobo 51
		160 ⇔ 162	Gobo 52
		163 ⇔ 165	Gobo 53
		166 ⇔ 168	Gobo 54
		169 ⇔ 171	Gobo 55
		172 ⇔ 174	Gobo 56
		175 ⇔ 177	Gobo 57
		178 ⇔ 180	Gobo 58
		181 ⇔ 183	Gobo 59
		184 ⇔ 186	Gobo 60
		187 ⇔ 189	Gobo 61
		190 ⇔ 192	Gobo 62
		193 ⇔ 195	Gobo 63
		196 ⇔ 198	Gobo 64
		199 ⇔ 201	Gobo 65
		202 ⇔ 204	Gobo 66
		205 ⇔ 207	Gobo 67
		208 ⇔ 210	Gobo 68
		211 ⇔ 213	Gobo 69
		214 ⇔ 216	Gobo 70
		217 ⇔ 219	Gobo 71
		220 ⇔ 222	Gobo 72
		223 ⇔ 225	Gobo 73
		226 ⇔ 228	Gobo 74
229 ⇔ 231	Gobo 75		
232 ⇔ 234	Gobo 76		
235 ⇔ 237	Gobo 77		
238 ⇔ 240	Gobo 78		
241 ⇔ 243	Gobo 79		
244 ⇔ 246	Gobo 80		
247 ⇔ 249	Gobo 81		
250 ⇔ 252	Gobo 82		
253 ⇔ 255	Gobo 83		
<b>12</b>	<b>LED Eingebaut</b>	000 ⇔ 015	Keine Funktion
		016 ⇔ 017	Eingebaut 1
		018 ⇔ 019	Eingebaut 2
		020 ⇔ 021	Eingebaut 3
		022 ⇔ 023	Eingebaut 4
		024 ⇔ 025	Eingebaut 5
		026 ⇔ 027	Eingebaut 6
		028 ⇔ 029	Eingebaut 7
		030 ⇔ 031	Eingebaut 8
		032 ⇔ 033	Eingebaut 9
		034 ⇔ 035	Eingebaut 10
		036 ⇔ 037	Eingebaut 11
		038 ⇔ 039	Eingebaut 12
		040 ⇔ 041	Eingebaut 13
		042 ⇔ 043	Eingebaut 14
		044 ⇔ 045	Eingebaut 15
		046 ⇔ 047	Eingebaut 16
		048 ⇔ 049	Eingebaut 17
		050 ⇔ 051	Eingebaut 18
		052 ⇔ 053	Eingebaut 19
054 ⇔ 055	Eingebaut 20		

Channel	Function	Value	Percent/Setting
<b>12</b> (Fortsetzung)	<b>LED Eingebaut</b> (Fortsetzung)	056 ⇄ 057	Eingebaut 21
		058 ⇄ 059	Eingebaut 22
		060 ⇄ 061	Eingebaut 23
		062 ⇄ 063	Eingebaut 24
		064 ⇄ 065	Eingebaut 25
		066 ⇄ 067	Eingebaut 26
		068 ⇄ 069	Eingebaut 27
		070 ⇄ 071	Eingebaut 28
		072 ⇄ 073	Eingebaut 29
		074 ⇄ 075	Eingebaut 30
		076 ⇄ 077	Eingebaut 31
		078 ⇄ 079	Eingebaut 32
		080 ⇄ 081	Eingebaut 33
		082 ⇄ 083	Eingebaut 34
		084 ⇄ 085	Eingebaut 35
		086 ⇄ 087	Eingebaut 36
		088 ⇄ 089	Eingebaut 37
		090 ⇄ 091	Eingebaut 38
		092 ⇄ 093	Eingebaut 39
		094 ⇄ 095	Eingebaut 40
		096 ⇄ 097	Eingebaut 41
		098 ⇄ 099	Eingebaut 42
		100 ⇄ 101	Eingebaut 43
		102 ⇄ 103	Eingebaut 44
		104 ⇄ 105	Eingebaut 45
		106 ⇄ 107	Eingebaut 46
		108 ⇄ 109	Eingebaut 47
		110 ⇄ 111	Eingebaut 48
		112 ⇄ 113	Eingebaut 49
		114 ⇄ 115	Eingebaut 50
		116 ⇄ 117	Eingebaut 51
		118 ⇄ 119	Eingebaut 52
		120 ⇄ 121	Eingebaut 53
		122 ⇄ 123	Eingebaut 54
		124 ⇄ 125	Eingebaut 55
		126 ⇄ 127	Eingebaut 56
		128 ⇄ 135	Eingebaut 57
		136 ⇄ 137	Eingebaut 58
		138 ⇄ 139	Eingebaut 59
		140 ⇄ 141	Eingebaut 60
142 ⇄ 143	Eingebaut 61		
144 ⇄ 145	Eingebaut 62		
146 ⇄ 147	Eingebaut 63		
148 ⇄ 149	Eingebaut 64		
150 ⇄ 151	Eingebaut 65		
152 ⇄ 153	Eingebaut 66		
154 ⇄ 155	Eingebaut 67		
156 ⇄ 157	Eingebaut 68		
158 ⇄ 159	Eingebaut 69		
160 ⇄ 161	Eingebaut 70		
162 ⇄ 163	Eingebaut 71		
164 ⇄ 165	Eingebaut 72		
166 ⇄ 167	Eingebaut 73		
168 ⇄ 169	Eingebaut 74		
170 ⇄ 171	Eingebaut 75		
172 ⇄ 173	Eingebaut 76		
174 ⇄ 175	Eingebaut 77		
176 ⇄ 177	Eingebaut 78		
178 ⇄ 179	Eingebaut 79		
180 ⇄ 181	Eingebaut 80		
182 ⇄ 183	Eingebaut 81		
184 ⇄ 185	Eingebaut 82		
186 ⇄ 187	Eingebaut 83		
188 ⇄ 189	Eingebaut 84		
190 ⇄ 191	Eingebaut 85		

# SCHNELLANLEITUNG



DE

Channel	Function	Value	Percent/Setting
12 (Fortsetzung)	LED Eingebaut (Fortsetzung)	192 ⇔ 193	Eingebaut 86
		194 ⇔ 195	Eingebaut 87
		196 ⇔ 197	Eingebaut 88
		198 ⇔ 199	Eingebaut 89
		200 ⇔ 201	Eingebaut 90
		202 ⇔ 203	Eingebaut 91
		204 ⇔ 205	Eingebaut 92
		206 ⇔ 207	Eingebaut 93
		208 ⇔ 209	Eingebaut 94
		210 ⇔ 211	Eingebaut 95
		212 ⇔ 213	Eingebaut 96
		214 ⇔ 215	Eingebaut 97
		216 ⇔ 217	Eingebaut 98
		218 ⇔ 219	Eingebaut 99
		220 ⇔ 221	Eingebaut 100
		222 ⇔ 223	Eingebaut 101
		224 ⇔ 225	Eingebaut 102
		226 ⇔ 227	Eingebaut 103
		228 ⇔ 229	Eingebaut 104
		230 ⇔ 231	Eingebaut 105
		232 ⇔ 233	Eingebaut 106
		234 ⇔ 235	Eingebaut 107
		236 ⇔ 237	Eingebaut 108
		238 ⇔ 239	Eingebaut 109
		240 ⇔ 241	Eingebaut 110
		242 ⇔ 243	Eingebaut 111
		244 ⇔ 245	Eingebaut 112
		246 ⇔ 247	Eingebaut 113
248 ⇔ 255	Eingebaut 114		
13	LED Eingebaute Geschwindigkeit	000 ⇔ 127 128 129 ⇔ 255	Im Uhrzeigersinn schnell bis langsam Halt Gegen den Uhrzeigersinn langsam bis schnell
14	LED Eingebaute Verzögerung	000 ⇔ 255	Schnell bis langsam
15	Hintergrundfarbmakros	000	Keine Funktion
		001 ⇔ 002	2700K R:156 G: 118 B: 0 W: 63
		003 ⇔ 004	3200K R:156 G: 141 B: 5 W: 89
		005 ⇔ 006	4200K R:156 G: 141 B: 14 W: 255
		007 ⇔ 008	5600K R:156 G: 207 B: 54 W: 255
		009 ⇔ 010	8000K R:130 G: 255 B: 96 W: 255
		11	Blau R: 0 G: 0 B: 255 W: 0
		012 ⇔ 048	R: 0 G: + B: 255 W: 0
		049	Cyan R: 0 G: 255 B: 255 W: 0
		050 ⇔ 086	R: 0 G: 255 B: - W: 0
		087	Grün R: 0 G: 255 B: 0 W: 0
		088 ⇔ 124	R: + G: 255 B: 0 W: 0
		125	Yellow R: 255 G: 255 B: 0 W: 0
		126 ⇔ 162	R: 255 G: - B: 0 W: 0
		163	Rot R: 255 G: 0 B: 0 W: 0
		164 ⇔ 200	R: 255 G: 0 B: + W: 0
		201	Magenta R: 255 G: 0 B: 255 W: 0
		202 ⇔ 238	R: - G: 0 B: 255 W: 0
239	Blau R: 0 G: 0 B: 255 W: 0		
240 ⇔ 247	Regenbogenfarben kreiseln, schnell bis langsam		
248 ⇔ 255	Augenblicklich Farbänderung, schnell bis langsam		
16	Hintergrundfarbe Dimmer	000 ⇔ 255	0-100%
17	Hintergrundfarbe Fein Dimmer	000 ⇔ 255	Feinkontrolle (16-Bit)
18	Hintergrund Rot	000 ⇔ 255	0-100%
19	Hintergrund Fein Rot	000 ⇔ 255	Feinkontrolle (16-Bit)
20	Hintergrund Grün	000 ⇔ 255	0-100%
21	Hintergrund Fein Grün	000 ⇔ 255	Feinkontrolle (16-Bit)

Channel	Function	Value	Percent/Setting
22	Hintergrund Blau	000 ⇔ 255	0-100%
23	Hintergrund Fein Blau	000 ⇔ 255	Feinkontrolle (16-Bit)
24	Hintergrund Weiß	000 ⇔ 255	0-100%
25	Hintergrund Fine White	000 ⇔ 255	Feinkontrolle (16-Bit)
26	Zoomen	000 ⇔ 255	0-100%
27	Steuerung	000 ⇔ 009	Keine Funktion
		010 ⇔ 014	Schwenk/Neigung blackout
		015 ⇔ 019	Keine Funktion
		020 ⇔ 024	RGBW-Farbmischung (5 Sek)
		025 ⇔ 029	CMY-Farbmischung (5 Sek)
		030 ⇔ 034	Keine Funktion
		035 ⇔ 039	Keine Funktion
		040 ⇔ 044	Keine Funktion
		045 ⇔ 049	Keine Funktion
		050 ⇔ 054	Schwenk-Reset
		055 ⇔ 059	Neigungs-Reset
		060 ⇔ 064	Zoomen-Reset
		065 ⇔ 069	Keine Funktion
		070 ⇔ 074	Alles zurückgesetzt
		075 ⇔ 079	Keine Funktion
		080 ⇔ 084	Schwenk/Neigung Rückwärts
		085 ⇔ 089	Schwenk Rückwärts
		090 ⇔ 094	Neigung Rückwärts
		095 ⇔ 099	Stornieren Schwenk Rückwärts
		100 ⇔ 104	Stornieren Neigung Rückwärts
		105 ⇔ 109	Stornieren Schwenk/Neigung Rückwärts
110 ⇔ 114	Keine Funktion		
115 ⇔ 119	Keine Funktion		
120 ⇔ 124	Niedrige Lüftergeschwindigkeit		
125 ⇔ 129	Lüfter mit voller Geschwindigkeit		
130 ⇔ 134	Lüfter automatisch		
135 ⇔ 139	Dimmer Fast-Modus		
140 ⇔ 144	Dimmer Smooth-Modus		
145 ⇔ 149	Lineare Kurve		
150 ⇔ 154	Quadratische Kurve		
155 ⇔ 159	Ich Quadratische Kurve		
160 ⇔ 164	SKurve		
165 ⇔ 169	Weißmodus ein		
170 ⇔ 174	Weißmodus aus		
145 ⇔ 255	Keine Funktion		
28	Rot (Cyan)	000 ⇔ 255	0-100%
29	Fein Rot (Cyan)	000 ⇔ 255	Feinkontrolle (16-Bit)
30	Grün (Magenta)	000 ⇔ 255	0-100%
31	Fein Grün (Magenta)	000 ⇔ 255	Feinkontrolle (16-Bit)
32	Blau (Gelb)	000 ⇔ 255	0-100%
33	Fein Blau (Yellow)	000 ⇔ 255	Feinkontrolle (16-Bit)
34	Weiß	000 ⇔ 255	0-100%
35	Fein Weiß	000 ⇔ 255	Feinkontrolle (16-Bit)
36	Rot 1 (Cyan)	000 ⇔ 255	0-100%
37	Fein Rot 1 (Cyan)	000 ⇔ 255	Feinkontrolle (16-Bit)
38	Grün 1 (Magenta)	000 ⇔ 255	0-100%
39	Fein Grün 1 (Magenta)	000 ⇔ 255	Feinkontrolle (16-Bit)
40	Blau 1 (Gelb)	000 ⇔ 255	0-100%
41	Fein Blau 1 (Gelb)	000 ⇔ 255	Feinkontrolle (16-Bit)
42	Weiß 1	000 ⇔ 255	0-100%
43	Fein Weiß 1	000 ⇔ 255	Feinkontrolle (16-Bit)
44	Rot 2 (Cyan)	000 ⇔ 255	0-100%
45	Fein Rot 2 (Cyan)	000 ⇔ 255	Feinkontrolle (16-Bit)
46	Grün 2 (Magenta)	000 ⇔ 255	0-100%
47	Fein Grün 2 (Magenta)	000 ⇔ 255	Feinkontrolle (16-Bit)

# SCHNELLANLEITUNG



DE

Channel	Function	Value	Percent/Setting
48	Blau 2 (Gelb)	000 ⇔ 255	0-100%
49	Fein Blau 2 (Gelb)	000 ⇔ 255	Feinkontrolle (16-Bit)
50	Weiß 2	000 ⇔ 255	0-100%
51	Fein Weiß 2	000 ⇔ 255	Feinkontrolle (16-Bit)
52	Rot 3 (Cyan)	000 ⇔ 255	0-100%
53	Fein Rot 3 (Cyan)	000 ⇔ 255	Feinkontrolle (16-Bit)
54	Grün 3 (Magenta)	000 ⇔ 255	0-100%
55	Fein Grün 3 (Magenta)	000 ⇔ 255	Feinkontrolle (16-Bit)
56	Blau 3 (Gelb)	000 ⇔ 255	0-100%
57	Fein Blau 3 (Gelb)	000 ⇔ 255	Feinkontrolle (16-Bit)
58	Weiß 3	000 ⇔ 255	0-100%
59	Fein Weiß 3	000 ⇔ 255	Feinkontrolle (16-Bit)
60	Rot 4 (Cyan)	000 ⇔ 255	0-100%
61	Fein Rot 4 (Cyan)	000 ⇔ 255	Feinkontrolle (16-Bit)
62	Grün 4 (Magenta)	000 ⇔ 255	0-100%
63	Fein Grün 4 (Magenta)	000 ⇔ 255	Feinkontrolle (16-Bit)
64	Blau 4 (Gelb)	000 ⇔ 255	0-100%
65	Fein Blau 4 (Gelb)	000 ⇔ 255	Feinkontrolle (16-Bit)
66	Weiß 4	000 ⇔ 255	0-100%
67	Fein Weiß 4	000 ⇔ 255	Feinkontrolle (16-Bit)
68	Rot 5 (Cyan)	000 ⇔ 255	0-100%
69	Fein Rot 5 (Cyan)	000 ⇔ 255	Feinkontrolle (16-Bit)
70	Grün 5 (Magenta)	000 ⇔ 255	0-100%
71	Fein Grün 5 (Magenta)	000 ⇔ 255	Feinkontrolle (16-Bit)
72	Blau 5 (Gelb)	000 ⇔ 255	0-100%
73	Fein Blau 5 (Gelb)	000 ⇔ 255	Feinkontrolle (16-Bit)
74	Weiß 5	000 ⇔ 255	0-100%
75	Fein Weiß 5	000 ⇔ 255	Feinkontrolle (16-Bit)
76	Rot 6 (Cyan)	000 ⇔ 255	0-100%
77	Fein Rot 6 (Cyan)	000 ⇔ 255	Feinkontrolle (16-Bit)
78	Grün 6 (Magenta)	000 ⇔ 255	0-100%
79	Fein Grün 6 (Magenta)	000 ⇔ 255	Feinkontrolle (16-Bit)
80	Blau 6 (Gelb)	000 ⇔ 255	0-100%
81	Fein Blau 6 (Gelb)	000 ⇔ 255	Feinkontrolle (16-Bit)
82	Weiß 6	000 ⇔ 255	0-100%
83	Fein Weiß 6	000 ⇔ 255	Feinkontrolle (16-Bit)
84	Rot 7 (Cyan)	000 ⇔ 255	0-100%
85	Fein Rot 7 (Cyan)	000 ⇔ 255	Feinkontrolle (16-Bit)
86	Grün 7 (Magenta)	000 ⇔ 255	0-100%
87	Fein Grün 7 (Magenta)	000 ⇔ 255	Feinkontrolle (16-Bit)
88	Blau 7 (Gelb)	000 ⇔ 255	0-100%
89	Fein Blau 7 (Gelb)	000 ⇔ 255	Feinkontrolle (16-Bit)
90	Weiß 7	000 ⇔ 255	0-100%
91	Fein Weiß 7	000 ⇔ 255	Feinkontrolle (16-Bit)
92	Rot 8 (Cyan)	000 ⇔ 255	0-100%
93	Fein Rot 8 (Cyan)	000 ⇔ 255	Feinkontrolle (16-Bit)
94	Grün 8 (Magenta)	000 ⇔ 255	0-100%
95	Fein Grün 8 (Magenta)	000 ⇔ 255	Feinkontrolle (16-Bit)
96	Blau 8 (Gelb)	000 ⇔ 255	0-100%
97	Fein Blau 8 (Gelb)	000 ⇔ 255	Feinkontrolle (16-Bit)
98	Weiß 8	000 ⇔ 255	0-100%
99	Fein Weiß 8	000 ⇔ 255	Feinkontrolle (16-Bit)
100	Rot 9 (Cyan)	000 ⇔ 255	0-100%

Channel	Function	Value	Percent/Setting
101	Fein Rot 9 (Cyan)	000 ⇔ 255	Feinkontrolle (16-Bit)
102	Grün 9 (Magenta)	000 ⇔ 255	0-100%
103	Fein Grün 9 (Magenta)	000 ⇔ 255	Feinkontrolle (16-Bit)
104	Blau 9 (Gelb)	000 ⇔ 255	0-100%
105	Fein Blau 9 (Gelb)	000 ⇔ 255	Feinkontrolle (16-Bit)
106	Weiß 9	000 ⇔ 255	0-100%
107	Fein Weiß 9	000 ⇔ 255	Feinkontrolle (16-Bit)

## 71CH

Channel	Function	Value	Percent/Setting
1	Schwenkung	000 ⇔ 255	0-100%
2	Feinschwenkung	000 ⇔ 255	Feinkontrolle (16-Bit)
3	Neigung	000 ⇔ 255	0-100%
4	Feinneigung	000 ⇔ 255	Feinkontrolle (16-Bit)
5	S/N Geschwindigkeit	000 ⇔ 255	Schwenkung/Neigung Geschwindigkeit, schnell bis langsam
6	Dimmer	000 ⇔ 255	0-100%
7	Feine Dimmer	000 ⇔ 255	Feinkontrolle (16-Bit)
8	Stroboskop	000 ⇔ 019	Aus
		020 ⇔ 024	Ein
		025 ⇔ 064	Strobe 1 mit abnehmender Geschwindigkeit
		065 ⇔ 069	Ein
		070 ⇔ 084	Strobe 2 (schnell ein, langsam aus) mit abnehmender Geschwindigkeit
		085 ⇔ 089	Ein
		090 ⇔ 104	Strobe 3 (langsam ein, schnell aus) mit abnehmender Geschwindigkeit
		105 ⇔ 109	Ein
		110 ⇔ 124	Strobe 4 (zufälliger Strobe) mit abnehmender Geschwindigkeit
		125 ⇔ 129	Ein
		130 ⇔ 144	Strobe 5 (zufällig, schnell ein, langsam aus) mit abnehmender Geschwindigkeit
		145 ⇔ 149	Ein
		150 ⇔ 164	Strobe 6 (zufällig, langsam ein, schnell aus) mit abnehmender Geschwindigkeit
		165 ⇔ 169	Ein
		170 ⇔ 184	Strobe 7 (Puls Strobe) mit abnehmender Geschwindigkeit
		185 ⇔ 189	Ein
190 ⇔ 204	Strobe 8 (Zufallsimpuls-Strobe) mit abnehmender Geschwindigkeit		
205 ⇔ 209	Ein		
210 ⇔ 224	Strobe 9 (Ein- oder Ausblenden) mit abnehmender Geschwindigkeit		
225 ⇔ 229	Ein		
230 ⇔ 244	Strobe 10 (Puls Strobe) mit abnehmender Geschwindigkeit		
245 ⇔ 255	Ein		
9	CTC	000	Keine Funktion
		001 ⇔ 255	2800 to 10.000K



# SCHNELLANLEITUNG



DE

Channel	Function	Value	Percent/Setting						
10	Farb	000	Keine Funktion						
		001 ⇄ 002	2700K	R:156	G: 118	B: 0	W: 63		
		003 ⇄ 004	3200K	R:156	G: 141	B: 5	W: 89		
		005 ⇄ 006	4200K	R:156	G: 141	B: 14	W: 255		
		007 ⇄ 008	5600K	R:156	G: 207	B: 54	W: 255		
		009 ⇄ 010	8000K	R:130	G: 255	B: 96	W: 255		
		11	Blau	R: 0	G: 0	B: 255	W: 0		
		012 ⇄ 048		R: 0	G: +	B: 255	W: 0		
		049	Cyan	R: 0	G: 255	B: 255	W: 0		
		050 ⇄ 086		R: 0	G: 255	B: -	W: 0		
		087	Grün	R: 0	G: 255	B: 0	W: 0		
		088 ⇄ 124		R: +	G: 255	B: 0	W: 0		
		125	Gelb	R: 255	G: 255	B: 0	W: 0		
		126 ⇄ 162		R: 255	G: -	B: 0	W: 0		
		163	Rot	R: 255	G: 0	B: 0	W: 0		
		164 ⇄ 200		R: 255	G: 0	B: +	W: 0		
		201	Magenta	R: 255	G: 0	B: 255	W: 0		
		202 ⇄ 238		R: -	G: 0	B: 255	W: 0		
		239	Blau	R: 0	G: 0	B: 255	W: 0		
		240 ⇄ 247	Regenbogenfarben kreiseln, schnell bis langsam						
		248 ⇄ 255	Augenblicklich Farbänderung, schnell bis langsam						
		11	Gobo	000 ⇄ 003	Keine Funktion				
				004 ⇄ 006	Gobo 1				
				007 ⇄ 009	Gobo 2				
010 ⇄ 012	Gobo 3								
013 ⇄ 015	Gobo 4								
016 ⇄ 018	Gobo 5								
019 ⇄ 021	Gobo 6								
022 ⇄ 024	Gobo 7								
025 ⇄ 027	Gobo 8								
028 ⇄ 030	Gobo 9								
031 ⇄ 033	No Gobo								
034 ⇄ 036	Gobo 10								
037 ⇄ 039	Gobo 11								
040 ⇄ 042	Gobo 12								
043 ⇄ 045	Gobo 13								
046 ⇄ 048	Gobo 14								
049 ⇄ 051	Gobo 15								
052 ⇄ 054	Gobo 16								
055 ⇄ 057	Gobo 17								
058 ⇄ 060	Gobo 18								
061 ⇄ 063	Gobo 19								
064 ⇄ 066	Gobo 20								
067 ⇄ 069	Gobo 21								
070 ⇄ 072	Gobo 22								
073 ⇄ 075	Gobo 23								
076 ⇄ 078	Gobo 24								
079 ⇄ 081	Gobo 25								
082 ⇄ 084	Gobo 26								
085 ⇄ 087	Gobo 27								
088 ⇄ 090	Gobo 28								
091 ⇄ 093	Gobo 29								
094 ⇄ 096	Gobo 30								
097 ⇄ 099	Gobo 31								
100 ⇄ 102	Gobo 32								
103 ⇄ 105	Gobo 33								
106 ⇄ 108	Gobo 34								
109 ⇄ 111	Gobo 35								
112 ⇄ 114	Gobo 36								
115 ⇄ 117	Gobo 37								
118 ⇄ 120	Gobo 38								
121 ⇄ 123	Gobo 39								



Channel	Function	Value	Percent/Setting
		124 ⇔ 126	Gobo 40
		127 ⇔ 129	Gobo 41
		130 ⇔ 132	Gobo 42
		133 ⇔ 135	Gobo 43
		136 ⇔ 138	Gobo 44
		139 ⇔ 141	Gobo 45
		142 ⇔ 144	Gobo 46
		145 ⇔ 147	Gobo 47
		148 ⇔ 150	Gobo 48
		151 ⇔ 153	Gobo 49
		154 ⇔ 156	Gobo 50
		157 ⇔ 159	Gobo 51
		160 ⇔ 162	Gobo 52
		163 ⇔ 165	Gobo 53
		166 ⇔ 168	Gobo 54
		169 ⇔ 171	Gobo 55
		172 ⇔ 174	Gobo 56
		175 ⇔ 177	Gobo 57
		178 ⇔ 180	Gobo 58
		181 ⇔ 183	Gobo 59
		184 ⇔ 186	Gobo 60
		187 ⇔ 189	Gobo 61
		190 ⇔ 192	Gobo 62
		193 ⇔ 195	Gobo 63
		196 ⇔ 198	Gobo 64
		199 ⇔ 201	Gobo 65
		202 ⇔ 204	Gobo 66
		205 ⇔ 207	Gobo 67
		208 ⇔ 210	Gobo 68
		211 ⇔ 213	Gobo 69
		214 ⇔ 216	Gobo 70
		217 ⇔ 219	Gobo 71
		220 ⇔ 222	Gobo 72
		223 ⇔ 225	Gobo 73
		226 ⇔ 228	Gobo 74
		229 ⇔ 231	Gobo 75
		232 ⇔ 234	Gobo 76
		235 ⇔ 237	Gobo 77
		238 ⇔ 240	Gobo 78
		241 ⇔ 243	Gobo 79
		244 ⇔ 246	Gobo 80
		247 ⇔ 249	Gobo 81
		250 ⇔ 252	Gobo 82
		253 ⇔ 255	Gobo 83
<b>11</b> <b>(Fortsetzung)</b>	<b>Gobo</b> <b>(Fortsetzung)</b>		

# SCHNELLANLEITUNG



DE

Channel	Function	Value	Percent/Setting
12	LED Eingebaut	000 ⇔ 015	Keine Funktion
		016 ⇔ 017	Eingebaut 1
		018 ⇔ 019	Eingebaut 2
		020 ⇔ 021	Eingebaut 3
		022 ⇔ 023	Eingebaut 4
		024 ⇔ 025	Eingebaut 5
		026 ⇔ 027	Eingebaut 6
		028 ⇔ 029	Eingebaut 7
		030 ⇔ 031	Eingebaut 8
		032 ⇔ 033	Eingebaut 9
		034 ⇔ 035	Eingebaut 10
		036 ⇔ 037	Eingebaut 11
		038 ⇔ 039	Eingebaut 12
		040 ⇔ 041	Eingebaut 13
		042 ⇔ 043	Eingebaut 14
		044 ⇔ 045	Eingebaut 15
		046 ⇔ 047	Eingebaut 16
		048 ⇔ 049	Eingebaut 17
		050 ⇔ 051	Eingebaut 18
		052 ⇔ 053	Eingebaut 19
		054 ⇔ 055	Eingebaut 20
		056 ⇔ 057	Eingebaut 21
		058 ⇔ 059	Eingebaut 22
		060 ⇔ 061	Eingebaut 23
		062 ⇔ 063	Eingebaut 24
		064 ⇔ 065	Eingebaut 25
		066 ⇔ 067	Eingebaut 26
		068 ⇔ 069	Eingebaut 27
		070 ⇔ 071	Eingebaut 28
		072 ⇔ 073	Eingebaut 29
		074 ⇔ 075	Eingebaut 30
		076 ⇔ 077	Eingebaut 31
		078 ⇔ 079	Eingebaut 32
		080 ⇔ 081	Eingebaut 33
		082 ⇔ 083	Eingebaut 34
		084 ⇔ 085	Eingebaut 35
		086 ⇔ 087	Eingebaut 36
		088 ⇔ 089	Eingebaut 37
		090 ⇔ 091	Eingebaut 38
		092 ⇔ 093	Eingebaut 39
		094 ⇔ 095	Eingebaut 40
		096 ⇔ 097	Eingebaut 41
		098 ⇔ 099	Eingebaut 42
		100 ⇔ 101	Eingebaut 43
		102 ⇔ 103	Eingebaut 44
		104 ⇔ 105	Eingebaut 45
		106 ⇔ 107	Eingebaut 46
		108 ⇔ 109	Eingebaut 47
		110 ⇔ 111	Eingebaut 48
		112 ⇔ 113	Eingebaut 49
		114 ⇔ 115	Eingebaut 50
		116 ⇔ 117	Eingebaut 51
		118 ⇔ 119	Eingebaut 52
		120 ⇔ 121	Eingebaut 53
		122 ⇔ 123	Eingebaut 54
		124 ⇔ 125	Eingebaut 55
126 ⇔ 127	Eingebaut 56		

Channel	Function	Value	Percent/Setting
<b>12</b> (Fortsetzung)	<b>LED Eingebaut</b> (Fortsetzung)	128 ⇔ 135	Eingebaut 57
		136 ⇔ 137	Eingebaut 58
		138 ⇔ 139	Eingebaut 59
		140 ⇔ 141	Eingebaut 60
		142 ⇔ 143	Eingebaut 61
		144 ⇔ 145	Eingebaut 62
		146 ⇔ 147	Eingebaut 63
		148 ⇔ 149	Eingebaut 64
		150 ⇔ 151	Eingebaut 65
		152 ⇔ 153	Eingebaut 66
		154 ⇔ 155	Eingebaut 67
		156 ⇔ 157	Eingebaut 68
		158 ⇔ 159	Eingebaut 69
		160 ⇔ 161	Eingebaut 70
		162 ⇔ 163	Eingebaut 71
		164 ⇔ 165	Eingebaut 72
		166 ⇔ 167	Eingebaut 73
		168 ⇔ 169	Eingebaut 74
		170 ⇔ 171	Eingebaut 75
		172 ⇔ 173	Eingebaut 76
		174 ⇔ 175	Eingebaut 77
		176 ⇔ 177	Eingebaut 78
		178 ⇔ 179	Eingebaut 79
		180 ⇔ 181	Eingebaut 80
		182 ⇔ 183	Eingebaut 81
		184 ⇔ 185	Eingebaut 82
		186 ⇔ 187	Eingebaut 83
		188 ⇔ 189	Eingebaut 84
		190 ⇔ 191	Eingebaut 85
		192 ⇔ 193	Eingebaut 86
		194 ⇔ 195	Eingebaut 87
		196 ⇔ 197	Eingebaut 88
		198 ⇔ 199	Eingebaut 89
		200 ⇔ 201	Eingebaut 90
		202 ⇔ 203	Eingebaut 91
		204 ⇔ 205	Eingebaut 92
		206 ⇔ 207	Eingebaut 93
		208 ⇔ 209	Eingebaut 94
		210 ⇔ 211	Eingebaut 95
		212 ⇔ 213	Eingebaut 96
		214 ⇔ 215	Eingebaut 97
		216 ⇔ 217	Eingebaut 98
		218 ⇔ 219	Eingebaut 99
		220 ⇔ 221	Eingebaut 100
		222 ⇔ 223	Eingebaut 101
		224 ⇔ 225	Eingebaut 102
		226 ⇔ 227	Eingebaut 103
		228 ⇔ 229	Eingebaut 104
230 ⇔ 231	Eingebaut 105		
232 ⇔ 233	Eingebaut 106		
234 ⇔ 235	Eingebaut 107		
236 ⇔ 237	Eingebaut 108		
238 ⇔ 239	Eingebaut 109		
240 ⇔ 241	Eingebaut 110		
242 ⇔ 243	Eingebaut 111		
244 ⇔ 245	Eingebaut 112		
246 ⇔ 247	Eingebaut 113		
248 ⇔ 255	Eingebaut 114		
<b>13</b>	<b>LED Eingebaute Geschwindigkeit</b>	000 ⇔ 127	Im Uhrzeigersinn schnell bis langsam
		128	Halt
		129 ⇔ 255	Gegen den Uhrzeigersinn langsam bis schnell
<b>14</b>	<b>LED Eingebaute Verzögerung</b>	000 ⇔ 255	Schnell bis langsam

# SCHNELLANLEITUNG



DE

Channel	Function	Value	Percent/Setting
15	Hintergrundfarbmakros	000	Keine Funktion
		001 ⇄ 002	2700K R:156 G: 118 B: 0 W: 63
		003 ⇄ 004	3200K R:156 G: 141 B: 5 W: 89
		005 ⇄ 006	4200K R:156 G: 141 B: 14 W: 255
		007 ⇄ 008	5600K R:156 G: 207 B: 54 W: 255
		009 ⇄ 010	8000K R:130 G: 255 B: 96 W: 255
		11	Blau R: 0 G: 0 B: 255 W: 0
		012 ⇄ 048	R: 0 G: + B: 255 W: 0
		049	Cyan R: 0 G: 255 B: 255 W: 0
		050 ⇄ 086	R: 0 G: 255 B: - W: 0
		087	Grün R: 0 G: 255 B: 0 W: 0
		088 ⇄ 124	R: + G: 255 B: 0 W: 0
		125	Yellow R: 255 G: 255 B: 0 W: 0
		126 ⇄ 162	R: 255 G: - B: 0 W: 0
		163	Rot R: 255 G: 0 B: 0 W: 0
		164 ⇄ 200	R: 255 G: 0 B: + W: 0
		201	Magenta R: 255 G: 0 B: 255 W: 0
		202 ⇄ 238	R: - G: 0 B: 255 W: 0
		239	Blau R: 0 G: 0 B: 255 W: 0
		240 ⇄ 247	Regenbogenfarben kreiseln, schnell bis langsam
248 ⇄ 255	Augenblicklich Farbänderung, schnell bis langsam		
16	Hintergrundfarbe Dimmer	000 ⇄ 255	0-100%
17	Hintergrund Rot	000 ⇄ 255	0-100%
18	Hintergrund Grün	000 ⇄ 255	0-100%
19	Hintergrund Blau	000 ⇄ 255	0-100%
20	Hintergrund Weiß	000 ⇄ 255	0-100%
21	Zoomen	000 ⇄ 255	0-100%
22	Steuerung	000 ⇄ 009	Keine Funktion
		010 ⇄ 014	Schwenk/Neigung blackout
		015 ⇄ 019	Keine Funktion
		020 ⇄ 024	RGBW-Farbmischung (5 Sek)
		025 ⇄ 029	CMY-Farbmischung (5 Sek)
		030 ⇄ 034	Keine Funktion
		035 ⇄ 039	Keine Funktion
		040 ⇄ 044	Keine Funktion
		045 ⇄ 049	Keine Funktion
		050 ⇄ 054	Schwenk-Reset
		055 ⇄ 059	Neigungs-Reset
		060 ⇄ 064	Zoomen-Reset
		065 ⇄ 069	Keine Funktion
		070 ⇄ 074	Alles zurückgesetzt
		075 ⇄ 079	Keine Funktion
		080 ⇄ 084	Schwenk/Neigung Rückwärts
		085 ⇄ 089	Schwenk Rückwärts
		090 ⇄ 094	Neigung Rückwärts
		095 ⇄ 099	Stornieren Schwenk Rückwärts
		100 ⇄ 104	Stornieren Neigung Rückwärts
		105 ⇄ 109	Stornieren Schwenk/Neigung Rückwärts
		110 ⇄ 114	Keine Funktion
		115 ⇄ 119	Keine Funktion
		120 ⇄ 124	Niedrige Lüftergeschwindigkeit
		125 ⇄ 129	Lüfter mit voller Geschwindigkeit
		130 ⇄ 134	Lüfter automatisch
		135 ⇄ 139	Dimmer Fast-Modus
		140 ⇄ 144	Dimmer Smooth-Modus
		145 ⇄ 149	Lineare Kurve
		150 ⇄ 154	Quadratische Kurve
155 ⇄ 159	Ich Quadratische Kurve		
160 ⇄ 164	SKurve		
165 ⇄ 169	Weißmodus ein		
170 ⇄ 174	Weißmodus aus		
145 ⇄ 255	Keine Funktion		
23	Rot (Cyan)	000 ⇄ 255	0-100%

Channel	Function	Value	Percent/Setting
24	Grün (Magenta)	000 ⇔ 255	0-100%
25	Blau (Gelb)	000 ⇔ 255	0-100%
26	Weiß	000 ⇔ 255	0-100%
27	Dimmer 1	000 ⇔ 255	0-100%
28	Rot 1 (Cyan)	000 ⇔ 255	0-100%
29	Grün 1 (Magenta)	000 ⇔ 255	0-100%
30	Blau 1 (Gelb)	000 ⇔ 255	0-100%
31	Weiß 1	000 ⇔ 255	0-100%
32	Dimmer 2	000 ⇔ 255	0-100%
33	Rot 2 (Cyan)	000 ⇔ 255	0-100%
34	Grün 2 (Magenta)	000 ⇔ 255	0-100%
35	Blau 2 (Gelb)	000 ⇔ 255	0-100%
36	Weiß 2	000 ⇔ 255	0-100%
37	Dimmer 3	000 ⇔ 255	0-100%
38	Rot 3 (Cyan)	000 ⇔ 255	0-100%
39	Grün 3 (Magenta)	000 ⇔ 255	0-100%
40	Blau 3 (Gelb)	000 ⇔ 255	0-100%
41	Weiß 3	000 ⇔ 255	0-100%
42	Dimmer 4	000 ⇔ 255	0-100%
43	Rot 4 (Cyan)	000 ⇔ 255	0-100%
44	Grün 4 (Magenta)	000 ⇔ 255	0-100%
45	Blau 4 (Gelb)	000 ⇔ 255	0-100%
46	Weiß 4	000 ⇔ 255	0-100%
47	Dimmer 5	000 ⇔ 255	0-100%
48	Rot 5 (Cyan)	000 ⇔ 255	0-100%
49	Grün 5 (Magenta)	000 ⇔ 255	0-100%
50	Blau 5 (Gelb)	000 ⇔ 255	0-100%
51	Weiß 5	000 ⇔ 255	0-100%
52	Dimmer 6	000 ⇔ 255	0-100%
53	Rot 6 (Cyan)	000 ⇔ 255	0-100%
54	Grün 6 (Magenta)	000 ⇔ 255	0-100%
55	Blau 6 (Gelb)	000 ⇔ 255	0-100%
56	Weiß 6	000 ⇔ 255	0-100%
57	Dimmer 7	000 ⇔ 255	0-100%
58	Rot 7 (Cyan)	000 ⇔ 255	0-100%
59	Grün 7 (Magenta)	000 ⇔ 255	0-100%
60	Blau 7 (Gelb)	000 ⇔ 255	0-100%
61	Weiß 7	000 ⇔ 255	0-100%
62	Dimmer 8	000 ⇔ 255	0-100%
63	Rot 8 (Cyan)	000 ⇔ 255	0-100%
64	Grün 8 (Magenta)	000 ⇔ 255	0-100%
65	Blau 8 (Gelb)	000 ⇔ 255	0-100%
66	Weiß 8	000 ⇔ 255	0-100%
67	Dimmer 9	000 ⇔ 255	0-100%
68	Rot 9 (Cyan)	000 ⇔ 255	0-100%
69	Grün 9 (Magenta)	000 ⇔ 255	0-100%
70	Blau 9 (Gelb)	000 ⇔ 255	0-100%
71	Weiß 9	000 ⇔ 255	0-100%

# SCHNELLANLEITUNG



DE

## 62CH

Channel	Function	Value	Percent/Setting
1	Schwenkung	000 ⇔ 255	0–100%
2	Feinschwenkung	000 ⇔ 255	Feinkontrolle (16-Bit)
3	Neigung	000 ⇔ 255	0–100%
4	Feinneigung	000 ⇔ 255	Feinkontrolle (16-Bit)
5	S/N Geschwindigkeit	000 ⇔ 255	Schwenkung/Neigung Geschwindigkeit, schnell bis langsam
6	Dimmer	000 ⇔ 255	0–100%
7	Feine Dimmer	000 ⇔ 255	Feinkontrolle (16-Bit)
8	Stroboskop	000 ⇔ 019	Aus
		020 ⇔ 024	Ein
		025 ⇔ 064	Strobe 1 mit abnehmender Geschwindigkeit
		065 ⇔ 069	Ein
		070 ⇔ 084	Strobe 2 (schnell ein, langsam aus) mit abnehmender Geschwindigkeit
		085 ⇔ 089	Ein
		090 ⇔ 104	Strobe 3 (langsam ein, schnell aus) mit abnehmender Geschwindigkeit
		105 ⇔ 109	Ein
		110 ⇔ 124	Strobe 4 (zufälliger Strobe) mit abnehmender Geschwindigkeit
		125 ⇔ 129	Ein
		130 ⇔ 144	Strobe 5 (zufällig, schnell ein, langsam aus) mit abnehmender Geschwindigkeit
		145 ⇔ 149	Ein
		150 ⇔ 164	Strobe 6 (zufällig, langsam ein, schnell aus) mit abnehmender Geschwindigkeit
		165 ⇔ 169	Ein
		170 ⇔ 184	Strobe 7 (Puls Strobe) mit abnehmender Geschwindigkeit
		185 ⇔ 189	Ein
		190 ⇔ 204	Strobe 8 (Zufallsimpuls-Strobe) mit abnehmender Geschwindigkeit
		205 ⇔ 209	Ein
		210 ⇔ 224	Strobe 9 (Ein- oder Ausblenden) mit abnehmender Geschwindigkeit
		225 ⇔ 229	Ein
230 ⇔ 244	Strobe 10 (Puls Strobe) mit abnehmender Geschwindigkeit		
245 ⇔ 255	Ein		
9	CTC	000	Keine Funktion
		001 ⇔ 255	2800 to 10.000K
10	Farb	000	Keine Funktion
		001 ⇔ 002	2700K R:156 G: 118 B: 0 W: 63
		003 ⇔ 004	3200K R:156 G: 141 B: 5 W: 89
		005 ⇔ 006	4200K R:156 G: 141 B: 14 W: 255
		007 ⇔ 008	5600K R:156 G: 207 B: 54 W: 255
		009 ⇔ 010	8000K R:130 G: 255 B: 96 W: 255
		11	Blau R: 0 G: 0 B: 255 W: 0
		012 ⇔ 048	R: 0 G: + B: 255 W: 0
		049	Cyan R: 0 G: 255 B: 255 W: 0
		050 ⇔ 086	R: 0 G: 255 B: - W: 0
		087	Grün R: 0 G: 255 B: 0 W: 0
		088 ⇔ 124	R: + G: 255 B: 0 W: 0
		125	Gelb R: 255 G: 255 B: 0 W: 0
		126 ⇔ 162	R: 255 G: - B: 0 W: 0
		163	Rot R: 255 G: 0 B: 0 W: 0
		164 ⇔ 200	R: 255 G: 0 B: + W: 0
		201	Magenta R: 255 G: 0 B: 255 W: 0
		202 ⇔ 238	R: - G: 0 B: 255 W: 0
		239	Blau R: 0 G: 0 B: 255 W: 0
		240 ⇔ 247	Regenbogenfarben kreiseln, schnell bis langsam
248 ⇔ 255	Augenblicklich Farbänderung, schnell bis langsam		

Channel	Function	Value	Percent/Setting
11	Gobo	000 ⇔ 003	Keine Funktion
		004 ⇔ 006	Gobo 1
		007 ⇔ 009	Gobo 2
		010 ⇔ 012	Gobo 3
		013 ⇔ 015	Gobo 4
		016 ⇔ 018	Gobo 5
		019 ⇔ 021	Gobo 6
		022 ⇔ 024	Gobo 7
		025 ⇔ 027	Gobo 8
		028 ⇔ 030	Gobo 9
		031 ⇔ 033	No Gobo
		034 ⇔ 036	Gobo 10
		037 ⇔ 039	Gobo 11
		040 ⇔ 042	Gobo 12
		043 ⇔ 045	Gobo 13
		046 ⇔ 048	Gobo 14
		049 ⇔ 051	Gobo 15
		052 ⇔ 054	Gobo 16
		055 ⇔ 057	Gobo 17
		058 ⇔ 060	Gobo 18
		061 ⇔ 063	Gobo 19
		064 ⇔ 066	Gobo 20
		067 ⇔ 069	Gobo 21
		070 ⇔ 072	Gobo 22
		073 ⇔ 075	Gobo 23
		076 ⇔ 078	Gobo 24
		079 ⇔ 081	Gobo 25
		082 ⇔ 084	Gobo 26
		085 ⇔ 087	Gobo 27
		088 ⇔ 090	Gobo 28
		091 ⇔ 093	Gobo 29
		094 ⇔ 096	Gobo 30
		097 ⇔ 099	Gobo 31
		100 ⇔ 102	Gobo 32
		103 ⇔ 105	Gobo 33
		106 ⇔ 108	Gobo 34
		109 ⇔ 111	Gobo 35
		112 ⇔ 114	Gobo 36
		115 ⇔ 117	Gobo 37
118 ⇔ 120	Gobo 38		
121 ⇔ 123	Gobo 39		

# SCHNELLANLEITUNG



DE

Channel	Function	Value	Percent/Setting
		124 ⇄ 126	Gobo 40
		127 ⇄ 129	Gobo 41
		130 ⇄ 132	Gobo 42
		133 ⇄ 135	Gobo 43
		136 ⇄ 138	Gobo 44
		139 ⇄ 141	Gobo 45
		142 ⇄ 144	Gobo 46
		145 ⇄ 147	Gobo 47
		148 ⇄ 150	Gobo 48
		151 ⇄ 153	Gobo 49
		154 ⇄ 156	Gobo 50
		157 ⇄ 159	Gobo 51
		160 ⇄ 162	Gobo 52
		163 ⇄ 165	Gobo 53
		166 ⇄ 168	Gobo 54
		169 ⇄ 171	Gobo 55
		172 ⇄ 174	Gobo 56
		175 ⇄ 177	Gobo 57
		178 ⇄ 180	Gobo 58
		181 ⇄ 183	Gobo 59
		184 ⇄ 186	Gobo 60
		187 ⇄ 189	Gobo 61
		190 ⇄ 192	Gobo 62
		193 ⇄ 195	Gobo 63
		196 ⇄ 198	Gobo 64
		199 ⇄ 201	Gobo 65
		202 ⇄ 204	Gobo 66
		205 ⇄ 207	Gobo 67
		208 ⇄ 210	Gobo 68
		211 ⇄ 213	Gobo 69
		214 ⇄ 216	Gobo 70
		217 ⇄ 219	Gobo 71
		220 ⇄ 222	Gobo 72
		223 ⇄ 225	Gobo 73
		226 ⇄ 228	Gobo 74
		229 ⇄ 231	Gobo 75
		232 ⇄ 234	Gobo 76
		235 ⇄ 237	Gobo 77
		238 ⇄ 240	Gobo 78
		241 ⇄ 243	Gobo 79
		244 ⇄ 246	Gobo 80
		247 ⇄ 249	Gobo 81
		250 ⇄ 252	Gobo 82
		253 ⇄ 255	Gobo 83
<b>11</b> (Fortsetzung)	<b>Gobo</b> (Fortsetzung)		



Channel	Function	Value	Percent/Setting
12	LED Eingebaut	000 ⇔ 015	Keine Funktion
		016 ⇔ 017	Eingebaut 1
		018 ⇔ 019	Eingebaut 2
		020 ⇔ 021	Eingebaut 3
		022 ⇔ 023	Eingebaut 4
		024 ⇔ 025	Eingebaut 5
		026 ⇔ 027	Eingebaut 6
		028 ⇔ 029	Eingebaut 7
		030 ⇔ 031	Eingebaut 8
		032 ⇔ 033	Eingebaut 9
		034 ⇔ 035	Eingebaut 10
		036 ⇔ 037	Eingebaut 11
		038 ⇔ 039	Eingebaut 12
		040 ⇔ 041	Eingebaut 13
		042 ⇔ 043	Eingebaut 14
		044 ⇔ 045	Eingebaut 15
		046 ⇔ 047	Eingebaut 16
		048 ⇔ 049	Eingebaut 17
		050 ⇔ 051	Eingebaut 18
		052 ⇔ 053	Eingebaut 19
		054 ⇔ 055	Eingebaut 20
		056 ⇔ 057	Eingebaut 21
		058 ⇔ 059	Eingebaut 22
		060 ⇔ 061	Eingebaut 23
		062 ⇔ 063	Eingebaut 24
		064 ⇔ 065	Eingebaut 25
		066 ⇔ 067	Eingebaut 26
		068 ⇔ 069	Eingebaut 27
		070 ⇔ 071	Eingebaut 28
		072 ⇔ 073	Eingebaut 29
		074 ⇔ 075	Eingebaut 30
		076 ⇔ 077	Eingebaut 31
		078 ⇔ 079	Eingebaut 32
		080 ⇔ 081	Eingebaut 33
		082 ⇔ 083	Eingebaut 34
		084 ⇔ 085	Eingebaut 35
		086 ⇔ 087	Eingebaut 36
		088 ⇔ 089	Eingebaut 37
		090 ⇔ 091	Eingebaut 38
		092 ⇔ 093	Eingebaut 39
		094 ⇔ 095	Eingebaut 40
		096 ⇔ 097	Eingebaut 41
		098 ⇔ 099	Eingebaut 42
		100 ⇔ 101	Eingebaut 43
		102 ⇔ 103	Eingebaut 44
		104 ⇔ 105	Eingebaut 45
		106 ⇔ 107	Eingebaut 46
		108 ⇔ 109	Eingebaut 47
		110 ⇔ 111	Eingebaut 48
		112 ⇔ 113	Eingebaut 49
		114 ⇔ 115	Eingebaut 50
		116 ⇔ 117	Eingebaut 51
		118 ⇔ 119	Eingebaut 52
		120 ⇔ 121	Eingebaut 53
		122 ⇔ 123	Eingebaut 54
		124 ⇔ 125	Eingebaut 55
126 ⇔ 127	Eingebaut 56		

# SCHNELLANLEITUNG



DE

Channel	Function	Value	Percent/Setting
12 (Fortsetzung)	LED Eingebaut (Fortsetzung)	128 ⇄ 135	Eingebaut 57
		136 ⇄ 137	Eingebaut 58
		138 ⇄ 139	Eingebaut 59
		140 ⇄ 141	Eingebaut 60
		142 ⇄ 143	Eingebaut 61
		144 ⇄ 145	Eingebaut 62
		146 ⇄ 147	Eingebaut 63
		148 ⇄ 149	Eingebaut 64
		150 ⇄ 151	Eingebaut 65
		152 ⇄ 153	Eingebaut 66
		154 ⇄ 155	Eingebaut 67
		156 ⇄ 157	Eingebaut 68
		158 ⇄ 159	Eingebaut 69
		160 ⇄ 161	Eingebaut 70
		162 ⇄ 163	Eingebaut 71
		164 ⇄ 165	Eingebaut 72
		166 ⇄ 167	Eingebaut 73
		168 ⇄ 169	Eingebaut 74
		170 ⇄ 171	Eingebaut 75
		172 ⇄ 173	Eingebaut 76
		174 ⇄ 175	Eingebaut 77
		176 ⇄ 177	Eingebaut 78
		178 ⇄ 179	Eingebaut 79
		180 ⇄ 181	Eingebaut 80
		182 ⇄ 183	Eingebaut 81
		184 ⇄ 185	Eingebaut 82
		186 ⇄ 187	Eingebaut 83
		188 ⇄ 189	Eingebaut 84
		190 ⇄ 191	Eingebaut 85
		192 ⇄ 193	Eingebaut 86
		194 ⇄ 195	Eingebaut 87
		196 ⇄ 197	Eingebaut 88
		198 ⇄ 199	Eingebaut 89
		200 ⇄ 201	Eingebaut 90
		202 ⇄ 203	Eingebaut 91
		204 ⇄ 205	Eingebaut 92
		206 ⇄ 207	Eingebaut 93
		208 ⇄ 209	Eingebaut 94
		210 ⇄ 211	Eingebaut 95
		212 ⇄ 213	Eingebaut 96
		214 ⇄ 215	Eingebaut 97
		216 ⇄ 217	Eingebaut 98
		218 ⇄ 219	Eingebaut 99
		220 ⇄ 221	Eingebaut 100
222 ⇄ 223	Eingebaut 101		
224 ⇄ 225	Eingebaut 102		
226 ⇄ 227	Eingebaut 103		
228 ⇄ 229	Eingebaut 104		
230 ⇄ 231	Eingebaut 105		
232 ⇄ 233	Eingebaut 106		
234 ⇄ 235	Eingebaut 107		
236 ⇄ 237	Eingebaut 108		
238 ⇄ 239	Eingebaut 109		
240 ⇄ 241	Eingebaut 110		
242 ⇄ 243	Eingebaut 111		
244 ⇄ 245	Eingebaut 112		
246 ⇄ 247	Eingebaut 113		
248 ⇄ 255	Eingebaut 114		
13	LED Eingebaute Geschwindigkeit	000 ⇄ 127 128 129 ⇄ 255	Im Uhrzeigersinn schnell bis langsam Halt Gegen den Uhrzeigersinn langsam bis schnell
14	LED Eingebaute Verzögerung	000 ⇄ 255	Schnell bis langsam

Channel	Function	Value	Percent/Setting
<b>15</b>	<b>Hintergrundfarbmakros</b>	000	Keine Funktion
		001 ⇔ 002	2700K R:156 G: 118 B: 0 W: 63
		003 ⇔ 004	3200K R:156 G: 141 B: 5 W: 89
		005 ⇔ 006	4200K R:156 G: 141 B: 14 W: 255
		007 ⇔ 008	5600K R:156 G: 207 B: 54 W: 255
		009 ⇔ 010	8000K R:130 G: 255 B: 96 W: 255
		11	Blau R: 0 G: 0 B: 255 W: 0
		012 ⇔ 048	R: 0 G: + B: 255 W: 0
		049	Cyan R: 0 G: 255 B: 255 W: 0
		050 ⇔ 086	R: 0 G: 255 B: - W: 0
		087	Grün R: 0 G: 255 B: 0 W: 0
		088 ⇔ 124	R: + G: 255 B: 0 W: 0
		125	Yellow R: 255 G: 255 B: 0 W: 0
		126 ⇔ 162	R: 255 G: - B: 0 W: 0
		163	Rot R: 255 G: 0 B: 0 W: 0
		164 ⇔ 200	R: 255 G: 0 B: + W: 0
		201	Magenta R: 255 G: 0 B: 255 W: 0
		202 ⇔ 238	R: - G: 0 B: 255 W: 0
		239	Blau R: 0 G: 0 B: 255 W: 0
		240 ⇔ 247	Regenbogenfarben kreiseln, schnell bis langsam
248 ⇔ 255	Augenblicklich Farbänderung, schnell bis langsam		
<b>16</b>	<b>Hintergrundfarbe Dimmer</b>	000 ⇔ 255	0-100%
<b>17</b>	<b>Hintergrund Rot</b>	000 ⇔ 255	0-100%
<b>18</b>	<b>Hintergrund Grün</b>	000 ⇔ 255	0-100%
<b>19</b>	<b>Hintergrund Blau</b>	000 ⇔ 255	0-100%
<b>20</b>	<b>Hintergrund Weiß</b>	000 ⇔ 255	0-100%
<b>21</b>	<b>Zoomen</b>	000 ⇔ 255	0-100%
<b>22</b>	<b>Steuerung</b>	000 ⇔ 009	Keine Funktion
		010 ⇔ 014	Schwenk/Neigung blackout
		015 ⇔ 019	Keine Funktion
		020 ⇔ 024	RGBW-Farbmischung (5 Sek)
		025 ⇔ 029	CMY-Farbmischung (5 Sek)
		030 ⇔ 034	Keine Funktion
		035 ⇔ 039	Keine Funktion
		040 ⇔ 044	Keine Funktion
		045 ⇔ 049	Keine Funktion
		050 ⇔ 054	Schwenk-Reset
		055 ⇔ 059	Neigungs-Reset
		060 ⇔ 064	Zoomen-Reset
		065 ⇔ 069	Keine Funktion
		070 ⇔ 074	Alles zurückgesetzt
		075 ⇔ 079	Keine Funktion
		080 ⇔ 084	Schwenk/Neigung Rückwärts
		085 ⇔ 089	Schwenk Rückwärts
		090 ⇔ 094	Neigung Rückwärts
		095 ⇔ 099	Stornieren Schwenk Rückwärts
		100 ⇔ 104	Stornieren Neigung Rückwärts
		105 ⇔ 109	Stornieren Schwenk/Neigung Rückwärts
		110 ⇔ 114	Keine Funktion
		115 ⇔ 119	Keine Funktion
		120 ⇔ 124	Niedrige Lüftergeschwindigkeit
		125 ⇔ 129	Lüfter mit voller Geschwindigkeit
		130 ⇔ 134	Lüfter automatisch
		135 ⇔ 139	Dimmer Fast-Modus
140 ⇔ 144	Dimmer Smooth-Modus		
145 ⇔ 149	Lineare Kurve		
150 ⇔ 154	Quadratische Kurve		
155 ⇔ 159	Ich Quadratische Kurve		
160 ⇔ 164	SKurve		
165 ⇔ 169	Weißmodus ein		
170 ⇔ 174	Weißmodus aus		
145 ⇔ 255	Keine Funktion		
<b>23</b>	<b>Rot (Cyan)</b>	000 ⇔ 255	0-100%

Channel	Function	Value	Percent/Setting
24	Grün (Magenta)	000 ⇔ 255	0-100%
25	Blau (Gelb)	000 ⇔ 255	0-100%
26	Weiß	000 ⇔ 255	0-100%
27	Rot 1 (Cyan)	000 ⇔ 255	0-100%
28	Grün 1 (Magenta)	000 ⇔ 255	0-100%
29	Blau 1 (Gelb)	000 ⇔ 255	0-100%
30	Weiß 1	000 ⇔ 255	0-100%
31	Rot 2 (Cyan)	000 ⇔ 255	0-100%
32	Grün 2 (Magenta)	000 ⇔ 255	0-100%
33	Blau 2 (Gelb)	000 ⇔ 255	0-100%
34	Weiß 2	000 ⇔ 255	0-100%
35	Rot 3 (Cyan)	000 ⇔ 255	0-100%
36	Grün 3 (Magenta)	000 ⇔ 255	0-100%
37	Blau 3 (Gelb)	000 ⇔ 255	0-100%
38	Weiß 3	000 ⇔ 255	0-100%
39	Rot 4 (Cyan)	000 ⇔ 255	0-100%
40	Grün 4 (Magenta)	000 ⇔ 255	0-100%
41	Blau 4 (Gelb)	000 ⇔ 255	0-100%
42	Weiß 4	000 ⇔ 255	0-100%
43	Rot 5 (Cyan)	000 ⇔ 255	0-100%
44	Grün 5 (Magenta)	000 ⇔ 255	0-100%
45	Blau 5 (Gelb)	000 ⇔ 255	0-100%
46	Weiß 5	000 ⇔ 255	0-100%
47	Rot 6 (Cyan)	000 ⇔ 255	0-100%
48	Grün 6 (Magenta)	000 ⇔ 255	0-100%
49	Blau 6 (Gelb)	000 ⇔ 255	0-100%
50	Weiß 6	000 ⇔ 255	0-100%
51	Rot 7 (Cyan)	000 ⇔ 255	0-100%
52	Grün 7 (Magenta)	000 ⇔ 255	0-100%
53	Blau 7 (Gelb)	000 ⇔ 255	0-100%
54	Weiß 7	000 ⇔ 255	0-100%
55	Rot 8 (Cyan)	000 ⇔ 255	0-100%
56	Grün 8 (Magenta)	000 ⇔ 255	0-100%
57	Blau 8 (Gelb)	000 ⇔ 255	0-100%
58	Weiß 8	000 ⇔ 255	0-100%
59	Rot 9 (Cyan)	000 ⇔ 255	0-100%
60	Grün 9 (Magenta)	000 ⇔ 255	0-100%
61	Blau 9 (Gelb)	000 ⇔ 255	0-100%
62	Weiß 9	000 ⇔ 255	0-100%

## 21CH

Channel	Function	Value	Percent/Setting
1	Schwenkung	000 ⇔ 255	0–100%
2	Feinschwenkung	000 ⇔ 255	Feinkontrolle (16-Bit)
3	Neigung	000 ⇔ 255	0–100%
4	Feinneigung	000 ⇔ 255	Feinkontrolle (16-Bit)
5	S/N Geschwindigkeit	000 ⇔ 255	Schwenkung/Neigung Geschwindigkeit, schnell bis langsam
6	Dimmer	000 ⇔ 255	0–100%
7	Stroboskop	000 ⇔ 019	Aus
		020 ⇔ 024	Ein
		025 ⇔ 064	Strobe 1 mit abnehmender Geschwindigkeit
		065 ⇔ 069	Ein
		070 ⇔ 084	Strobe 2 (schnell ein, langsam aus) mit abnehmender Geschwindigkeit
		085 ⇔ 089	Ein
		090 ⇔ 104	Strobe 3 (langsam ein, schnell aus) mit abnehmender Geschwindigkeit
		105 ⇔ 109	Ein
		110 ⇔ 124	Strobe 4 (zufälliger Strobe) mit abnehmender Geschwindigkeit
		125 ⇔ 129	Ein
		130 ⇔ 144	Strobe 5 (zufällig, schnell ein, langsam aus) mit abnehmender Geschwindigkeit
		145 ⇔ 149	Ein
		150 ⇔ 164	Strobe 6 (zufällig, langsam ein, schnell aus) mit abnehmender Geschwindigkeit
		165 ⇔ 169	Ein
		170 ⇔ 184	Strobe 7 (Puls Strobe) mit abnehmender Geschwindigkeit
		185 ⇔ 189	Ein
		190 ⇔ 204	Strobe 8 (Zufallsimpuls-Strobe) mit abnehmender Geschwindigkeit
205 ⇔ 209	Ein		
210 ⇔ 224	Strobe 9 (Ein- oder Ausblenden) mit abnehmender Geschwindigkeit		
225 ⇔ 229	Ein		
230 ⇔ 244	Strobe 10 (Puls Strobe) mit abnehmender Geschwindigkeit		
245 ⇔ 255	Ein		
8	CTC	000	Keine Funktion
		001 ⇔ 255	2800 to 10.000K
9	Farb	000	Keine Funktion
		001 ⇔ 002	2700K R:156 G: 118 B: 0 W: 63
		003 ⇔ 004	3200K R:156 G: 141 B: 5 W: 89
		005 ⇔ 006	4200K R:156 G: 141 B: 14 W: 255
		007 ⇔ 008	5600K R:156 G: 207 B: 54 W: 255
		009 ⇔ 010	8000K R:130 G: 255 B: 96 W: 255
		11	Blau R: 0 G: 0 B: 255 W: 0
		012 ⇔ 048	R: 0 G: + B: 255 W: 0
		049	Cyan R: 0 G: 255 B: 255 W: 0
		050 ⇔ 086	R: 0 G: 255 B: - W: 0
		087	Grün R: 0 G: 255 B: 0 W: 0
		088 ⇔ 124	R: + G: 255 B: 0 W: 0
		125	Gelb R: 255 G: 255 B: 0 W: 0
		126 ⇔ 162	R: 255 G: - B: 0 W: 0
		163	Rot R: 255 G: 0 B: 0 W: 0
		164 ⇔ 200	R: 255 G: 0 B: + W: 0
		201	Magenta R: 255 G: 0 B: 255 W: 0
202 ⇔ 238	R: - G: 0 B: 255 W: 0		
239	Blau R: 0 G: 0 B: 255 W: 0		
240 ⇔ 247	Regenbogenfarben kreiseln, schnell bis langsam		
248 ⇔ 255	Augenblicklich Farbänderung, schnell bis langsam		

# SCHNELLANLEITUNG



DE

Channel	Function	Value	Percent/Setting
10	Gobo	000 ⇔ 003	Keine Funktion
		004 ⇔ 006	Gobo 1
		007 ⇔ 009	Gobo 2
		010 ⇔ 012	Gobo 3
		013 ⇔ 015	Gobo 4
		016 ⇔ 018	Gobo 5
		019 ⇔ 021	Gobo 6
		022 ⇔ 024	Gobo 7
		025 ⇔ 027	Gobo 8
		028 ⇔ 030	Gobo 9
		031 ⇔ 033	No Gobo
		034 ⇔ 036	Gobo 10
		037 ⇔ 039	Gobo 11
		040 ⇔ 042	Gobo 12
		043 ⇔ 045	Gobo 13
		046 ⇔ 048	Gobo 14
		049 ⇔ 051	Gobo 15
		052 ⇔ 054	Gobo 16
		055 ⇔ 057	Gobo 17
		058 ⇔ 060	Gobo 18
		061 ⇔ 063	Gobo 19
		064 ⇔ 066	Gobo 20
		067 ⇔ 069	Gobo 21
		070 ⇔ 072	Gobo 22
		073 ⇔ 075	Gobo 23
		076 ⇔ 078	Gobo 24
		079 ⇔ 081	Gobo 25
		082 ⇔ 084	Gobo 26
		085 ⇔ 087	Gobo 27
		088 ⇔ 090	Gobo 28
		091 ⇔ 093	Gobo 29
		094 ⇔ 096	Gobo 30
		097 ⇔ 099	Gobo 31
		100 ⇔ 102	Gobo 32
		103 ⇔ 105	Gobo 33
		106 ⇔ 108	Gobo 34
		109 ⇔ 111	Gobo 35
		112 ⇔ 114	Gobo 36
		115 ⇔ 117	Gobo 37
118 ⇔ 120	Gobo 38		
121 ⇔ 123	Gobo 39		

Channel	Function	Value	Percent/Setting
<b>10</b> (Fortsetzung)	<b>Gobo</b> (Fortsetzung)	124 ⇔ 126	Gobo 40
		127 ⇔ 129	Gobo 41
		130 ⇔ 132	Gobo 42
		133 ⇔ 135	Gobo 43
		136 ⇔ 138	Gobo 44
		139 ⇔ 141	Gobo 45
		142 ⇔ 144	Gobo 46
		145 ⇔ 147	Gobo 47
		148 ⇔ 150	Gobo 48
		151 ⇔ 153	Gobo 49
		154 ⇔ 156	Gobo 50
		157 ⇔ 159	Gobo 51
		160 ⇔ 162	Gobo 52
		163 ⇔ 165	Gobo 53
		166 ⇔ 168	Gobo 54
		169 ⇔ 171	Gobo 55
		172 ⇔ 174	Gobo 56
		175 ⇔ 177	Gobo 57
		178 ⇔ 180	Gobo 58
		181 ⇔ 183	Gobo 59
		184 ⇔ 186	Gobo 60
		187 ⇔ 189	Gobo 61
		190 ⇔ 192	Gobo 62
		193 ⇔ 195	Gobo 63
		196 ⇔ 198	Gobo 64
		199 ⇔ 201	Gobo 65
		202 ⇔ 204	Gobo 66
		205 ⇔ 207	Gobo 67
		208 ⇔ 210	Gobo 68
		211 ⇔ 213	Gobo 69
		214 ⇔ 216	Gobo 70
		217 ⇔ 219	Gobo 71
		220 ⇔ 222	Gobo 72
		223 ⇔ 225	Gobo 73
226 ⇔ 228	Gobo 74		
229 ⇔ 231	Gobo 75		
232 ⇔ 234	Gobo 76		
235 ⇔ 237	Gobo 77		
238 ⇔ 240	Gobo 78		
241 ⇔ 243	Gobo 79		
244 ⇔ 246	Gobo 80		
247 ⇔ 249	Gobo 81		
250 ⇔ 252	Gobo 82		
253 ⇔ 255	Gobo 83		

# SCHNELLANLEITUNG



DE

Channel	Function	Value	Percent/Setting
11	LED Eingebaut	000 ⇔ 015	Keine Funktion
		016 ⇔ 017	Eingebaut 1
		018 ⇔ 019	Eingebaut 2
		020 ⇔ 021	Eingebaut 3
		022 ⇔ 023	Eingebaut 4
		024 ⇔ 025	Eingebaut 5
		026 ⇔ 027	Eingebaut 6
		028 ⇔ 029	Eingebaut 7
		030 ⇔ 031	Eingebaut 8
		032 ⇔ 033	Eingebaut 9
		034 ⇔ 035	Eingebaut 10
		036 ⇔ 037	Eingebaut 11
		038 ⇔ 039	Eingebaut 12
		040 ⇔ 041	Eingebaut 13
		042 ⇔ 043	Eingebaut 14
		044 ⇔ 045	Eingebaut 15
		046 ⇔ 047	Eingebaut 16
		048 ⇔ 049	Eingebaut 17
		050 ⇔ 051	Eingebaut 18
		052 ⇔ 053	Eingebaut 19
		054 ⇔ 055	Eingebaut 20
		056 ⇔ 057	Eingebaut 21
		058 ⇔ 059	Eingebaut 22
		060 ⇔ 061	Eingebaut 23
		062 ⇔ 063	Eingebaut 24
		064 ⇔ 065	Eingebaut 25
		066 ⇔ 067	Eingebaut 26
		068 ⇔ 069	Eingebaut 27
		070 ⇔ 071	Eingebaut 28
		072 ⇔ 073	Eingebaut 29
		074 ⇔ 075	Eingebaut 30
		076 ⇔ 077	Eingebaut 31
		078 ⇔ 079	Eingebaut 32
		080 ⇔ 081	Eingebaut 33
		082 ⇔ 083	Eingebaut 34
		084 ⇔ 085	Eingebaut 35
		086 ⇔ 087	Eingebaut 36
		088 ⇔ 089	Eingebaut 37
		090 ⇔ 091	Eingebaut 38
		092 ⇔ 093	Eingebaut 39
		094 ⇔ 095	Eingebaut 40
		096 ⇔ 097	Eingebaut 41
		098 ⇔ 099	Eingebaut 42
		100 ⇔ 101	Eingebaut 43
		102 ⇔ 103	Eingebaut 44
		104 ⇔ 105	Eingebaut 45
		106 ⇔ 107	Eingebaut 46
		108 ⇔ 109	Eingebaut 47
		110 ⇔ 111	Eingebaut 48
		112 ⇔ 113	Eingebaut 49
		114 ⇔ 115	Eingebaut 50
		116 ⇔ 117	Eingebaut 51
		118 ⇔ 119	Eingebaut 52
		120 ⇔ 121	Eingebaut 53
		122 ⇔ 123	Eingebaut 54
		124 ⇔ 125	Eingebaut 55
126 ⇔ 127	Eingebaut 56		



Channel	Function	Value	Percent/Setting
<b>11</b> (Fortsetzung)	<b>LED Eingebaut</b> (Fortsetzung)	128 ⇔ 135	Eingebaut 57
		136 ⇔ 137	Eingebaut 58
		138 ⇔ 139	Eingebaut 59
		140 ⇔ 141	Eingebaut 60
		142 ⇔ 143	Eingebaut 61
		144 ⇔ 145	Eingebaut 62
		146 ⇔ 147	Eingebaut 63
		148 ⇔ 149	Eingebaut 64
		150 ⇔ 151	Eingebaut 65
		152 ⇔ 153	Eingebaut 66
		154 ⇔ 155	Eingebaut 67
		156 ⇔ 157	Eingebaut 68
		158 ⇔ 159	Eingebaut 69
		160 ⇔ 161	Eingebaut 70
		162 ⇔ 163	Eingebaut 71
		164 ⇔ 165	Eingebaut 72
		166 ⇔ 167	Eingebaut 73
		168 ⇔ 169	Eingebaut 74
		170 ⇔ 171	Eingebaut 75
		172 ⇔ 173	Eingebaut 76
		174 ⇔ 175	Eingebaut 77
		176 ⇔ 177	Eingebaut 78
		178 ⇔ 179	Eingebaut 79
		180 ⇔ 181	Eingebaut 80
		182 ⇔ 183	Eingebaut 81
		184 ⇔ 185	Eingebaut 82
		186 ⇔ 187	Eingebaut 83
		188 ⇔ 189	Eingebaut 84
		190 ⇔ 191	Eingebaut 85
		192 ⇔ 193	Eingebaut 86
		194 ⇔ 195	Eingebaut 87
		196 ⇔ 197	Eingebaut 88
		198 ⇔ 199	Eingebaut 89
		200 ⇔ 201	Eingebaut 90
		202 ⇔ 203	Eingebaut 91
		204 ⇔ 205	Eingebaut 92
		206 ⇔ 207	Eingebaut 93
		208 ⇔ 209	Eingebaut 94
		210 ⇔ 211	Eingebaut 95
		212 ⇔ 213	Eingebaut 96
		214 ⇔ 215	Eingebaut 97
		216 ⇔ 217	Eingebaut 98
		218 ⇔ 219	Eingebaut 99
		220 ⇔ 221	Eingebaut 100
		222 ⇔ 223	Eingebaut 101
		224 ⇔ 225	Eingebaut 102
		226 ⇔ 227	Eingebaut 103
		228 ⇔ 229	Eingebaut 104
230 ⇔ 231	Eingebaut 105		
232 ⇔ 233	Eingebaut 106		
234 ⇔ 235	Eingebaut 107		
236 ⇔ 237	Eingebaut 108		
238 ⇔ 239	Eingebaut 109		
240 ⇔ 241	Eingebaut 110		
242 ⇔ 243	Eingebaut 111		
244 ⇔ 245	Eingebaut 112		
246 ⇔ 247	Eingebaut 113		
248 ⇔ 255	Eingebaut 114		
<b>12</b>	<b>LED Eingebaute Geschwindigkeit</b>	000 ⇔ 127	Im Uhrzeigersinn schnell bis langsam
		128	Halt
		129 ⇔ 255	Gegen den Uhrzeigersinn langsam bis schnell
<b>13</b>	<b>LED Eingebaute Verzögerung</b>	000 ⇔ 255	Schnell bis langsam

# SCHNELLANLEITUNG



DE

Channel	Function	Value	Percent/Setting
14	Hintergrundfarbmakros	000	Keine Funktion
		001 ⇔ 002	2700K R:156 G: 118 B: 0 W: 63
		003 ⇔ 004	3200K R:156 G: 141 B: 5 W: 89
		005 ⇔ 006	4200K R:156 G: 141 B: 14 W: 255
		007 ⇔ 008	5600K R:156 G: 207 B: 54 W: 255
		009 ⇔ 010	8000K R:130 G: 255 B: 96 W: 255
		11	Blau R: 0 G: 0 B: 255 W: 0
		012 ⇔ 048	R: 0 G: + B: 255 W: 0
		049	Cyan R: 0 G: 255 B: 255 W: 0
		050 ⇔ 086	R: 0 G: 255 B: - W: 0
		087	Grün R: 0 G: 255 B: 0 W: 0
		088 ⇔ 124	R: + G: 255 B: 0 W: 0
		125	Yellow R: 255 G: 255 B: 0 W: 0
		126 ⇔ 162	R: 255 G: - B: 0 W: 0
		163	Rot R: 255 G: 0 B: 0 W: 0
		164 ⇔ 200	R: 255 G: 0 B: + W: 0
		201	Magenta R: 255 G: 0 B: 255 W: 0
		202 ⇔ 238	R: - G: 0 B: 255 W: 0
		239	Blau R: 0 G: 0 B: 255 W: 0
		240 ⇔ 247	Regenbogenfarben kreiseln, schnell bis langsam
248 ⇔ 255	Augenblicklich Farbänderung, schnell bis langsam		
15	Hintergrundfarbe Dimmer	000 ⇔ 255	0-100%
16	Zoomen	000 ⇔ 255	0-100%
17	Steuerung	000 ⇔ 009	Keine Funktion
		010 ⇔ 014	Schwenk/Neigung blackout
		015 ⇔ 019	Keine Funktion
		020 ⇔ 024	RGBW-Farbmischung (5 Sek)
		025 ⇔ 029	CMY-Farbmischung (5 Sek)
		030 ⇔ 034	Keine Funktion
		035 ⇔ 039	Keine Funktion
		040 ⇔ 044	Keine Funktion
		045 ⇔ 049	Keine Funktion
		050 ⇔ 054	Schwenk-Reset
		055 ⇔ 059	Neigungs-Reset
		060 ⇔ 064	Zoomen-Reset
		065 ⇔ 069	Keine Funktion
		070 ⇔ 074	Alles zurückgesetzt
		075 ⇔ 079	Keine Funktion
		080 ⇔ 084	Schwenk/Neigung Rückwärts
		085 ⇔ 089	Schwenk Rückwärts
		090 ⇔ 094	Neigung Rückwärts
		095 ⇔ 099	Stornieren Schwenk Rückwärts
		100 ⇔ 104	Stornieren Neigung Rückwärts
		105 ⇔ 109	Stornieren Schwenk/Neigung Rückwärts
		110 ⇔ 114	Keine Funktion
		115 ⇔ 119	Keine Funktion
		120 ⇔ 124	Niedrige Lüftergeschwindigkeit
		125 ⇔ 129	Lüfter mit voller Geschwindigkeit
		130 ⇔ 134	Lüfter automatisch
		135 ⇔ 139	Dimmer Fast-Modus
140 ⇔ 144	Dimmer Smooth-Modus		
145 ⇔ 149	Lineare Kurve		
150 ⇔ 154	Quadratische Kurve		
155 ⇔ 159	Ich Quadratische Kurve		
160 ⇔ 164	SKurve		
165 ⇔ 169	Weißmodus ein		
170 ⇔ 174	Weißmodus aus		
145 ⇔ 255	Keine Funktion		
18	Rot (Cyan)	000 ⇔ 255	0-100%
19	Grün (Magenta)	000 ⇔ 255	0-100%
20	Blau (Gelb)	000 ⇔ 255	0-100%
21	Weiß	000 ⇔ 255	0-100%

## Over deze handleiding

De Rogue R3X Wash Beknopte Handleiding (BH) bevat basisinformatie over het product, zoals aansluiting, montage, menu-opties en DMX-waarden. Download de gebruikershandleiding op [www.chauvetprofessional.com](http://www.chauvetprofessional.com) voor meer informatie.

### Disclaimer

De informatie en specificaties in deze BH kunnen zonder voorafgaande kennisgeving worden gewijzigd.

### BEPERKTE GARANTIE

**GA NAAR ONZE WEBSITE VOOR REGISTRATIE VAN DE GARANTIE EN DE VOLLEDIGE ALGEMENE VOORWAARDEN.**

**Voor klanten in de Verenigde Staten en Mexico:** [www.chauvetlighting.com/warranty-registration](http://www.chauvetlighting.com/warranty-registration).

**Voor klanten in het Verenigd Koninkrijk, Ierland, België, Nederland, Luxemburg, Frankrijk en Duitsland:** [www.chauvetlighting.eu/warranty-registration](http://www.chauvetlighting.eu/warranty-registration).

Chauvet garandeert dat dit product bij normaal gebruik vrij zal blijven van defecten in materiaal en vakmanschap, voor de opgegeven periode en onder voorbehoud van de uitzonderingen en beperkingen die zijn uiteengezet in de volledige beperkte garantie op onze website. Deze garantie geldt uitsluitend voor de oorspronkelijke koper van het product en is niet overdraagbaar. Om onder deze garantie rechten uit te oefenen, moet u een aankoopbewijs overleggen in de vorm van een origineel verkoopbewijs van een geautoriseerde dealer, waarop de naam van het product en de aankoopdatum zichtbaar zijn. ER ZIJN GEEN ANDERE EXPLICIETE OF IMPLICIETE GARANTIES. Deze garantie geeft u specifieke wettelijke rechten. Mogelijk heeft u ook andere rechten die van staat tot staat en van land tot land verschillen. Deze garantie is uitsluitend geldig in de Verenigde Staten, het Verenigd Koninkrijk, Ierland, België, Nederland, Luxemburg, Frankrijk, Duitsland en Mexico. Neem contact op met uw lokale verkoper voor garantievoorwaarden in andere landen.

### Veiligheidsinstructies

- Open het product NIET. Het bevat geen te onderhouden onderdelen.
- KIJK NIET in de lichtbron wanneer het apparaat is ingeschakeld.
- Om onnodige slijtage te elimineren en zijn levensduur te verlengen, gedurende perioden wanneer het product niet wordt gebruikt, moet u het product van de stroom afsluiten door een aardlekschakelaar om te zetten of door het te ontkoppelen.
- LET OP: Bij het verplaatsen van het product uit extreme omgevingen, (bijv. koude vrachtwagen naar warme, vochtige balzaal) kan er condensvorming optreden op de elektronica van het product. Om storingen te vermijden moet het product volledig kunnen acclimatiseren aan de omgeving voordat het op stroom wordt aangesloten.
- LET OP: De behuizing van dit product kan heet zijn wanneer het in bedrijf is.
- Monteer dit product op een plek met voldoende ventilatie, ten minste 50 cm van de aangrenzende oppervlakken.
- Plaats geen ontvlambaar materiaal binnen 20 cm van dit product als het in gebruik is of is aangesloten op het stopcontact.
- GEBRUIK een veiligheidskabel bij het boven het hoofd plaatsen van dit product.
- Gebruik dit product NIET buitenshuis of op een locatie waar stof, grote warmte, water of vochtigheid het kunnen beïnvloeden. (IP20)
- Gebruik dit product NIET als de behuizing, lenzen of kabels beschadigd lijken.
- Sluit dit product NIET aan op een dimmer of een regelweerstand.
- Sluit dit product UITSLUITEND op een geaard en beveiligd stroomcircuit.
- Gebruik UITSLUITEND de montagebeugels of de hendels om dit product te dragen. Draag het product niet aan de bewegende kop.
- Stop in het geval van ernstige operationele problemen onmiddellijk met het gebruik.
- De maximale omgevingstemperatuur bedraagt 45 °C. Gebruik dit product niet bij hogere temperaturen.
- De armatuur moet zodanig geplaatst worden dat langdurig staren in de armatuur op een afstand van minder dan 7,7 m voorkomen wordt.
- Als de externe flexibele kabel of het snoer van deze armatuur beschadigd is, moet deze worden vervangen door een speciaal snoer of een snoer dat uitsluitend beschikbaar is bij de fabrikant of zijn onderhoudsagent.
- De lichtbron die in deze armatuur omvat is mag alleen vervangen worden door de fabrikant, of diens onderhoudsagent of een soortgelijk erkend persoon.
- De armatuur is uitsluitend bedoeld voor professioneel gebruik.

### FCC-naleving

Dit apparaat voldoet aan Part 15 Part B van de FCC-regels. Het gebruik is onderworpen aan de volgende twee voorwaarden:

1. Dit apparaat mag geen schadelijke interferentie veroorzaken, en
2. Dit apparaat moet enige ontvangen interferentie accepteren, inclusief interferentie die een ongewenste werking kan veroorzaken.

Eventuele wijzigingen of aanpassingen die niet uitdrukkelijk door de voor naleving verantwoordelijke partij zijn goedgekeurd, kan de bevoegdheid van de gebruiker om de apparatuur te bedienen ongeldig verklaren.

### Contact

Van buiten de VS, Verenigd Koninkrijk, Ierland, Benelux, Frankrijk, Duitsland of Mexico kunt u contact opnemen met de distributeur of om ondersteuning vragen dan wel het product retourneren. Raadpleeg [Contact Us](#) aan het einde van deze BH voor contactinformatie.

### Wat is inbegrepen

- Rogue R3X Wash met verblindings scherm
- Neutrik® powerCON® IP65 stroomsnoer
- 2 Omegabeugel
- Beknopte handleiding

## AC-stroom

Dit product heeft een voeding met automatisch bereik die werkt met een ingangsspanning van 100–240 VAC, 50/60 Hz.

### Power Linking

U kunt tot 2 Rogue R3X Wash-producten koppelen bij 100/120 V of 4 producten bij 208/230/240 V. Dit aantal niet overschrijden. Power Linking-snoeren kunnen apart aangeschaft worden.

### AC-stekker

Aansluiting	Snoer (VS)	Snoer (Europa)	Schroefkleur
AC Live	Zwart	Bruin	Geel/messing
AC Neutraal	Wit	Blauw	Zilver
AC Aarde	Groen/geel	Groen/geel	Groen



Om onnodige slijtage te elimineren en zijn levensduur te verlengen, gedurende perioden wanneer het product niet wordt gebruikt, moet u het product van de stroom afsluiten door een aardlekschakelaar om te zetten of door het te ontkoppelen.

### De zekering vervangen

1. Ontkoppel dit product van de stroom.
2. Gebruik een platkopschroevendraaier en schroef de kap van de zekeringshouder los van de behuizing.
3. Verwijder de doorgebrande zekering en vervang het met een werkende zekering van hetzelfde type en met dezelfde waarde.
4. Schroef de kap van de zekeringhouder terug en steek de stekker er weer in.

### DMX-koppeling

De Rogue R3X Wash kan met een DMX-controller werken met een 3- of 5-pins DMX seriële verbinding. Op [www.chauvetprofessional.com](http://www.chauvetprofessional.com) is een DMX basishandleiding verkrijgbaar.

### DMX-aansluiting

De Rogue R3X Wash gebruikt een normale DMX-gegevensverbinding voor zijn DMX-persoonlijkheden: **21CH**, **62CH**, **71CH**, en **107CH**. Zie de gebruikershandleiding om te verbinden en te configureren voor DMX-werking.

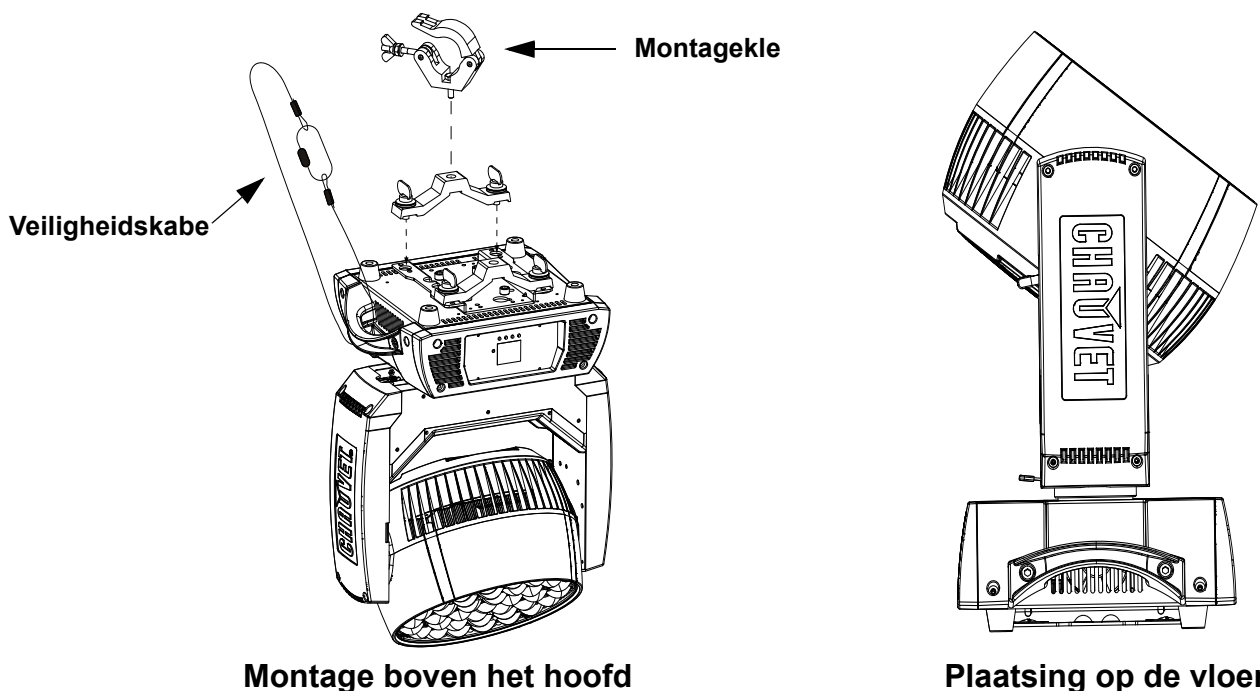
### RDM (apparaatbeheer op afstand)

Remote Device Management of RDM (apparaatbeheer op afstand) is een standaard die het voor DMX-apparaten mogelijk maakt om in twee richtingen te communiceren over bestaande DMX-kabels. De Rogue R3X Wash ondersteunt het RDM-protocol dat zorgt feedback toelaat bij de bewaking van wijzigingen aan de menu map-opties van. Download de gebruikershandleiding op [www.chauvetprofessional.com](http://www.chauvetprofessional.com) voor meer informatie.

### Montage

Lees alvorens dit product te monteren alle [Veiligheidsinstructies](#). Gebruik ten minste één montagepunt per product. Controleer of de montageklem het gewicht van het product kan dragen. Ga voor onze Chauvet-serie montageklemmen naar <http://trusst.com/productcategory/truss-clamps/>.

### Montagediagram van het product



Montage boven het hoofd

Plaatsing op de vloer

**Beschrijving bedieningspaneel**

Toet	Functie
<MENU>	Sluit het huidige menu of functie af
<ENTER>	Activeert het huidige getoonde menu of plaatst de huidige geselecteerde waarde in de geselecteerde functie
<UP>	Navigeert omhoog via het menu of verhoogt de numerieke waarde wanneer in een functie
<DOWN>	Navigeert omlaag via het menu of verlaagt de numerieke waarde wanneer in een functie

**Menumap**

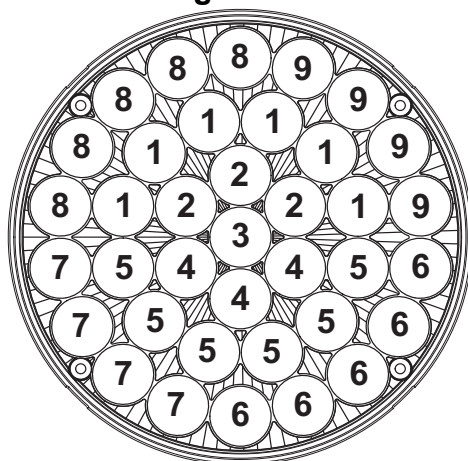
 Raadpleeg de productpagina van der Rogue R3X Wash op [www.chauvetprofessional.com](http://www.chauvetprofessional.com) voor de nieuwste menukaart.

Hoofdniveau	Programmeerniveaus		Beschrijving	
<b>Address</b>	<b>001-512</b>		Stelt het DMX-startadres in	
<b>Running Mode</b>	<b>DMX</b>	<b>21</b>	Selecteert de DMX-modus	
		<b>62</b>		
		<b>71</b>		
		<b>107</b>		
	<b>Auto Test</b>		Voert de testprocedure van het product uit	
	<b>Manual Test</b>	<b>Pan</b>	<b>000-255</b>	Maakt handmatige bediening mogelijk van alle instellingen van het bedieningspaneel
		<b>Tilt</b>		
		<b>P/T Speed</b>		
		<b>Red</b>		
		<b>Green</b>		
		<b>Blue</b>		
		<b>White</b>		
		<b>CTC</b>		
		<b>Color</b>		
		<b>Pattern</b>		
<b>LED Macro</b>				
<b>LED Ma. Speed</b>				
<b>LED Ma. Fade</b>				
<b>Background</b>				
<b>Background Dim.</b>				
<b>Dimmer</b>				
<b>Shutter</b>				
<b>Zoom</b>				
<b>Setup</b>	<b>Pan Reverse</b>	<b>OFF</b>	Omgekeerde zwenkbediening	
		<b>ON</b>	Normale zwenkbediening	
	<b>Tilt Reverse</b>	<b>OFF</b>	Omgekeerde kantelbediening	
		<b>ON</b>	Normale kantelbediening	
	<b>Zoom Reverse</b>	<b>OFF</b>	Omgekeerde zoombediening	
		<b>ON</b>	Normale zoombediening	
	<b>Pan Angle</b>	<b>540</b>	Selecteert het 540° zwenkhoekbereik	
		<b>360</b>	Selecteert het 360° zwenkhoekbereik	
		<b>180</b>	Selecteert het 180° zwenkhoekbereik	
	<b>Tilt Angle</b>	<b>230</b>	Selecteert het 230° kantelhoekbereik	
		<b>180</b>	Selecteert het 180° kantelhoekbereik	
		<b>90</b>	Selecteert het 90° kantelhoekbereik	
	<b>XY Mode</b>	<b>Fast</b>	Stelt pan / tilt snelheid	
		<b>Slow</b>		
<b>Fans</b>	<b>Auto</b>	Selecteert de bedieningsmodus van de ventilator.		
	<b>ECO</b>			
	<b>Full</b>			
<b>Display</b>	<b>OFF</b>	Bepaalt hoe lang de achtergrondverlichting van het display aan blijft nadat de laatste opdrachtknop is ingedrukt		
	<b>ON</b>			

Hoofdniveau	Programmeerniveaus			Beschrijving	
Setup (vervolg)	Screen Rev	OFF		Normale weergave van het bedieningsscherm	
		ON		Roteert de weergave van het bedieningsscherm met 180°	
	C Mixing Mode	RGBW		Additief kleuren mengen (0–100%)	
		CMY		Subtractief kleuren mengen (100%–0)	
	Dimmer Curve	Linear		Lineaire dimmer	
		Square		Dimmer met vierkante curve	
		I Squa		Dimmer met omgekeerde vierkante curve	
		Scurve		Dimmer met S-curve	
	Dimmer Speed	Smooth		Langzame (Smooth) of snelle (Fast) dimmercurves	
		Fast			
	PWM Option	600Hz		Selecteert de PWM-uitgangsfrequentie	
		1200Hz			
		2000Hz			
		4000Hz			
		15000Hz			
	Color calibration	ON		Max. opbrengst wanneer RGBW DMX-kanalen bij maximaal vermogen zijn	
		OFF		Fabrieksgekalibreerde kleurtemperatuur wanneer RGBW DMX-kanalen bij maximaal vermogen zijn	
		Custom	RED	100-255	Handmatige kalibratie van kleurtemperatuur wanneer RGBW DMX-kanalen bij maximaal vermogen zijn
			GREEN		
	BLUE				
White Mode	On		Kalibreert wit tot 7500K		
	Off		Gebruikt maximale uitvoerwaarden		
	Custom	RED		Stelt de maximum waarde van de rode LED in	
		GREEN		Stelt de maximum waarde van de groene LED in	
		BLUE		Stelt de maximum waarde van de blauwe LED in	
WHITE		Stelt de maximum waarde van de witte LED in			
Reset Function	Pan/Tilt	Yes	Reset de zwenk-/kantelfuncties naar de startpositie		
		No			
	Zoom	Yes	Reset alle zoomfuncties naar de startpositie		
		No			
	All	Yes	Reset alle functies naar de startpositie		
		No			
Factory Set		Yes	Zet het product terug naar de oorspronkelijke fabrieksinstellingen		
		No			
Sys Info	Ver			Toont de softwareversie	
	Running Mode			Toont de huidige bedrijfsmodus	
	DMX Address			Toont het huidige DMX-adres	
	Temperature			Toont de producttemperatuur in graden Celsius	
	Fixture Time			Toont de totale bedrijfstijd van het product	
	UID			Geeft de huidige UID #	



Rogue R3X Wash Zones voor DMX-besturing



DMX-waarden  
107CH

Kanaal	Functie	Waarde	Percentage/instelling
1	Zwenken	000 ⇔ 255	0-100%
2	Fijn zwenken	000 ⇔ 255	Fijne regeling (16-bit)
3	Kantelen	000 ⇔ 255	0-100%
4	Fijn kantelen	000 ⇔ 255	Fijne regeling (16-bit)
5	Zwenk-/kantelsnelheid	000 ⇔ 255	0-100%
6	Dimmer	000 ⇔ 255	0-100%
7	Fijne dimmer	000 ⇔ 255	Fijne regeling (16-bit)
8	Sluiter	000 ⇔ 019	Gesloten
		020 ⇔ 024	Open
		025 ⇔ 064	Snel tot langzaam
		065 ⇔ 069	Open
		070 ⇔ 084	Snel aan/afloop uit
		085 ⇔ 089	Open
		090 ⇔ 104	Afloop uit/snel aan
		105 ⇔ 109	Open
		110 ⇔ 124	Willekeurig
		125 ⇔ 129	Open
		130 ⇔ 144	Willekeurig snel/afloop uit
		145 ⇔ 149	Open
		150 ⇔ 164	Willekeurig langzaam aan/snel uit
		165 ⇔ 169	Open
		170 ⇔ 184	Puls
		185 ⇔ 189	Open
190 ⇔ 204	Willekeurige puls		
205 ⇔ 209	Open		
210 ⇔ 224	Fade aan/uit		
225 ⇔ 229	Open		
230 ⇔ 244	Puls		
245 ⇔ 255	Open		
9	CTC	000	Geen functie
		001 ⇔ 255	2800 to 10000K

# BEKNOPTE HANDLEIDING



NL

Kanaal	Functie	Waarde	Percentage/instelling						
<b>10</b>	<b>Kleur</b>	000	Geen functie						
		001 ⇄ 002	2700K	R:156	G: 118	B: 0	W: 63		
		003 ⇄ 004	3200K	R:156	G: 141	B: 5	W: 89		
		005 ⇄ 006	4200K	R:156	G: 141	B: 14	W: 255		
		007 ⇄ 008	5600K	R:156	G: 207	B: 54	W: 255		
		009 ⇄ 010	8000K	R:130	G: 255	B: 96	W: 255		
		11	Azul	R: 0	G: 0	B: 255	W: 0		
		012 ⇄ 048		R: 0	G: +	B: 255	W: 0		
		049	Cian	R: 0	G: 255	B: 255	W: 0		
		050 ⇄ 086		R: 0	G: 255	B: -	W: 0		
		087	Verde	R: 0	G: 255	B: 0	W: 0		
		088 ⇄ 124		R: +	G: 255	B: 0	W: 0		
		125	Amarillo	R: 255	G: 255	B: 0	W: 0		
		126 ⇄ 162		R: 255	G: -	B: 0	W: 0		
		163	Rojo	R: 255	G: 0	B: 0	W: 0		
		164 ⇄ 200		R: 255	G: 0	B: +	W: 0		
		201	Magenta	R: 255	G: 0	B: 255	W: 0		
		202 ⇄ 238		R: -	G: 0	B: 255	W: 0		
		239	Azul	R: 0	G: 0	B: 255	W: 0		
		240 ⇄ 247	Kleur veranderen, snel naar langzaam						
		248 ⇄ 255	Kleur jump, snel naar langzaam						
		<b>11</b>	<b>Gobo</b>	000 ⇄ 003	Geen functie				
				004 ⇄ 006	Gobo 1				
				007 ⇄ 009	Gobo 2				
				010 ⇄ 012	Gobo 3				
				013 ⇄ 015	Gobo 4				
016 ⇄ 018	Gobo 5								
019 ⇄ 021	Gobo 6								
022 ⇄ 024	Gobo 7								
025 ⇄ 027	Gobo 8								
028 ⇄ 030	Gobo 9								
031 ⇄ 033	Geen Gobo								
034 ⇄ 036	Gobo 10								
037 ⇄ 039	Gobo 11								
040 ⇄ 042	Gobo 12								
043 ⇄ 045	Gobo 13								
046 ⇄ 048	Gobo 14								
049 ⇄ 051	Gobo 15								
052 ⇄ 054	Gobo 16								
055 ⇄ 057	Gobo 17								
058 ⇄ 060	Gobo 18								
061 ⇄ 063	Gobo 19								
064 ⇄ 066	Gobo 20								
067 ⇄ 069	Gobo 21								
070 ⇄ 072	Gobo 22								
073 ⇄ 075	Gobo 23								
076 ⇄ 078	Gobo 24								
079 ⇄ 081	Gobo 25								
082 ⇄ 084	Gobo 26								
085 ⇄ 087	Gobo 27								
088 ⇄ 090	Gobo 28								
091 ⇄ 093	Gobo 29								
094 ⇄ 096	Gobo 30								
097 ⇄ 099	Gobo 31								
100 ⇄ 102	Gobo 32								
103 ⇄ 105	Gobo 33								
106 ⇄ 108	Gobo 34								
109 ⇄ 111	Gobo 35								
112 ⇄ 114	Gobo 36								
115 ⇄ 117	Gobo 37								
118 ⇄ 120	Gobo 38								
121 ⇄ 123	Gobo 39								
124 ⇄ 126	Gobo 40								



Kanaal	Functie	Waarde	Percentage/instelling
11 (vervolg)	Gobo (vervolg)	127 ⇔ 129	Gobo 41
		130 ⇔ 132	Gobo 42
		133 ⇔ 135	Gobo 43
		136 ⇔ 138	Gobo 44
		139 ⇔ 141	Gobo 45
		142 ⇔ 144	Gobo 46
		145 ⇔ 147	Gobo 47
		148 ⇔ 150	Gobo 48
		151 ⇔ 153	Gobo 49
		154 ⇔ 156	Gobo 50
		157 ⇔ 159	Gobo 51
		160 ⇔ 162	Gobo 52
		163 ⇔ 165	Gobo 53
		166 ⇔ 168	Gobo 54
		169 ⇔ 171	Gobo 55
		172 ⇔ 174	Gobo 56
		175 ⇔ 177	Gobo 57
		178 ⇔ 180	Gobo 58
		181 ⇔ 183	Gobo 59
		184 ⇔ 186	Gobo 60
		187 ⇔ 189	Gobo 61
		190 ⇔ 192	Gobo 62
		193 ⇔ 195	Gobo 63
		196 ⇔ 198	Gobo 64
		199 ⇔ 201	Gobo 65
		202 ⇔ 204	Gobo 66
		205 ⇔ 207	Gobo 67
		208 ⇔ 210	Gobo 68
		211 ⇔ 213	Gobo 69
		214 ⇔ 216	Gobo 70
		217 ⇔ 219	Gobo 71
		220 ⇔ 222	Gobo 72
		223 ⇔ 225	Gobo 73
226 ⇔ 228	Gobo 74		
229 ⇔ 231	Gobo 75		
232 ⇔ 234	Gobo 76		
235 ⇔ 237	Gobo 77		
238 ⇔ 240	Gobo 78		
241 ⇔ 243	Gobo 79		
244 ⇔ 246	Gobo 80		
247 ⇔ 249	Gobo 81		
250 ⇔ 252	Gobo 82		
253 ⇔ 255	Gobo 83		
12	LED Ingebouwde	001 ⇔ 015	Geen functie
		016 ⇔ 017	Ingebouwde 1
		018 ⇔ 019	Ingebouwde 2
		020 ⇔ 021	Ingebouwde 3
		022 ⇔ 023	Ingebouwde 4
		024 ⇔ 025	Ingebouwde 5
		026 ⇔ 027	Ingebouwde 6
		028 ⇔ 029	Ingebouwde 7
		030 ⇔ 031	Ingebouwde 8
		032 ⇔ 033	Ingebouwde 9
		034 ⇔ 035	Ingebouwde 10
		036 ⇔ 037	Ingebouwde 11
		038 ⇔ 039	Ingebouwde 12
		040 ⇔ 041	Ingebouwde 13
		042 ⇔ 043	Ingebouwde 14
		044 ⇔ 045	Ingebouwde 15
		046 ⇔ 047	Ingebouwde 16
		048 ⇔ 049	Ingebouwde 17
		050 ⇔ 051	Ingebouwde 18
		052 ⇔ 053	Ingebouwde 19
054 ⇔ 055	Ingebouwde 20		

Kanaal	Functie	Waarde	Percentage/instelling
		056 ⇄ 057	Ingebouwde 21
		058 ⇄ 059	Ingebouwde 22
		060 ⇄ 061	Ingebouwde 23
		062 ⇄ 063	Ingebouwde 24
		064 ⇄ 065	Ingebouwde 25
		066 ⇄ 067	Ingebouwde 26
		068 ⇄ 069	Ingebouwde 27
		070 ⇄ 071	Ingebouwde 28
		072 ⇄ 073	Ingebouwde 29
		074 ⇄ 075	Ingebouwde 30
		076 ⇄ 077	Ingebouwde 31
		078 ⇄ 079	Ingebouwde 32
		080 ⇄ 081	Ingebouwde 33
		082 ⇄ 083	Ingebouwde 34
		084 ⇄ 085	Ingebouwde 35
		086 ⇄ 087	Ingebouwde 36
		088 ⇄ 089	Ingebouwde 37
		090 ⇄ 091	Ingebouwde 38
		092 ⇄ 093	Ingebouwde 39
		094 ⇄ 095	Ingebouwde 40
		096 ⇄ 097	Ingebouwde 41
		098 ⇄ 099	Ingebouwde 42
		100 ⇄ 101	Ingebouwde 43
		102 ⇄ 103	Ingebouwde 44
		104 ⇄ 105	Ingebouwde 45
		106 ⇄ 107	Ingebouwde 46
		108 ⇄ 109	Ingebouwde 47
		110 ⇄ 111	Ingebouwde 48
		112 ⇄ 113	Ingebouwde 49
		114 ⇄ 115	Ingebouwde 50
		116 ⇄ 117	Ingebouwde 51
		118 ⇄ 119	Ingebouwde 52
		120 ⇄ 121	Ingebouwde 53
		122 ⇄ 123	Ingebouwde 54
		124 ⇄ 125	Ingebouwde 55
		126 ⇄ 127	Ingebouwde 56
		128 ⇄ 135	Ingebouwde 57
		136 ⇄ 137	Ingebouwde 58
		138 ⇄ 139	Ingebouwde 59
		140 ⇄ 141	Ingebouwde 60
		142 ⇄ 143	Ingebouwde 61
		144 ⇄ 145	Ingebouwde 62
		146 ⇄ 147	Ingebouwde 63
		148 ⇄ 149	Ingebouwde 64
		150 ⇄ 151	Ingebouwde 65
		152 ⇄ 153	Ingebouwde 66
		154 ⇄ 155	Ingebouwde 67
		156 ⇄ 157	Ingebouwde 68
		158 ⇄ 159	Ingebouwde 69
		160 ⇄ 161	Ingebouwde 70
		162 ⇄ 163	Ingebouwde 71
		164 ⇄ 165	Ingebouwde 72
		166 ⇄ 167	Ingebouwde 73
		168 ⇄ 169	Ingebouwde 74
		170 ⇄ 171	Ingebouwde 75
		172 ⇄ 173	Ingebouwde 76
		174 ⇄ 175	Ingebouwde 77
		176 ⇄ 177	Ingebouwde 78
		178 ⇄ 179	Ingebouwde 79
		180 ⇄ 181	Ingebouwde 80
		182 ⇄ 183	Ingebouwde 81
		184 ⇄ 185	Ingebouwde 82
		186 ⇄ 187	Ingebouwde 83
		188 ⇄ 189	Ingebouwde 84
		190 ⇄ 191	Ingebouwde 85
12 (vervolg)	LED Ingebouwde (vervolg)		

Kanaal	Functie	Waarde	Percentage/instelling
<b>12</b> (vervolg)	<b>LED Ingebouwde</b> (vervolg)	192 ⇔ 193	Ingebouwde 86
		194 ⇔ 195	Ingebouwde 87
		196 ⇔ 197	Ingebouwde 88
		198 ⇔ 199	Ingebouwde 89
		200 ⇔ 201	Ingebouwde 90
		202 ⇔ 203	Ingebouwde 91
		204 ⇔ 205	Ingebouwde 92
		206 ⇔ 207	Ingebouwde 93
		208 ⇔ 209	Ingebouwde 94
		210 ⇔ 211	Ingebouwde 95
		212 ⇔ 213	Ingebouwde 96
		214 ⇔ 215	Ingebouwde 97
		216 ⇔ 217	Ingebouwde 98
		218 ⇔ 219	Ingebouwde 99
		220 ⇔ 221	Ingebouwde 100
		222 ⇔ 223	Ingebouwde 101
		224 ⇔ 225	Ingebouwde 102
		226 ⇔ 227	Ingebouwde 103
		228 ⇔ 229	Ingebouwde 104
		230 ⇔ 231	Ingebouwde 105
		232 ⇔ 233	Ingebouwde 106
		234 ⇔ 235	Ingebouwde 107
		236 ⇔ 237	Ingebouwde 108
		238 ⇔ 239	Ingebouwde 109
		240 ⇔ 241	Ingebouwde 110
		242 ⇔ 243	Ingebouwde 111
		244 ⇔ 245	Ingebouwde 112
		246 ⇔ 247	Ingebouwde 113
248 ⇔ 255	Ingebouwde 114		
<b>13</b>	<b>LED Ingebouwde snelheid</b>	001 ⇔ 127	Roteren met de klok mee, langzaam tot snel
		128	Stop
		129 ⇔ 255	Tegen de klok in roteren, snel tot langzaam
<b>14</b>	<b>LED Ingebouwde vertraging</b>	000 ⇔ 255	Langzaam tot snel
<b>15</b>	<b>Achtergrondkleur macro</b>	000	Geen functie
		001 ⇔ 002	2700K R:156 G: 118 B: 0 W: 63
		003 ⇔ 004	3200K R:156 G: 141 B: 5 W: 89
		005 ⇔ 006	4200K R:156 G: 141 B: 14 W: 255
		007 ⇔ 008	5600K R:156 G: 207 B: 54 W: 255
		009 ⇔ 010	8000K R:130 G: 255 B: 96 W: 255
		11	Azul R: 0 G: 0 B: 255 W: 0
		012 ⇔ 048	R: 0 G: + B: 255 W: 0
		049	Cian R: 0 G: 255 B: 255 W: 0
		050 ⇔ 086	R: 0 G: 255 B: - W: 0
		087	Verde R: 0 G: 255 B: 0 W: 0
		088 ⇔ 124	R: + G: 255 B: 0 W: 0
		125	Amarillo R: 255 G: 255 B: 0 W: 0
		126 ⇔ 162	R: 255 G: - B: 0 W: 0
		163	Rojo R: 255 G: 0 B: 0 W: 0
		164 ⇔ 200	R: 255 G: 0 B: + W: 0
		201	Magenta R: 255 G: 0 B: 255 W: 0
		202 ⇔ 238	R: - G: 0 B: 255 W: 0
		239	Azul R: 0 G: 0 B: 255 W: 0
		240 ⇔ 247	Kleur veranderen, snel naar langzaam
248 ⇔ 255	Kleur jump, snel naar langzaam		
<b>16</b>	<b>Achtergrondkleur Dimmer</b>	000 ⇔ 255	0-100%
<b>17</b>	<b>Achtergrondkleur Fijne Dimmer</b>	000 ⇔ 255	Fijne regeling (16-bit)
<b>18</b>	<b>Background Rood</b>	000 ⇔ 255	0-100%
<b>19</b>	<b>Background Fijne Rood</b>	000 ⇔ 255	Fijne regeling (16-bit)
<b>20</b>	<b>Background Groen</b>	000 ⇔ 255	0-100%
<b>21</b>	<b>Background Fijne Groen</b>	000 ⇔ 255	Fijne regeling (16-bit)
<b>22</b>	<b>Background Blauw</b>	000 ⇔ 255	0-100%

Kanaal	Functie	Waarde	Percentage/instelling
23	Background Fijne Blauw	000 ⇔ 255	Fijne regeling (16-bit)
24	Background Wit	000 ⇔ 255	0-100%
25	Background Fijne Wit	000 ⇔ 255	Fijne regeling (16-bit)
26	Zoom	000 ⇔ 255	0-100%
27	Regeling	001 ⇔ 009	Geen functie
		010 ⇔ 014	Verduisteren tijdens zwenken/kantelen
		015 ⇔ 019	Geen functie
		020 ⇔ 024	RGBW het mengen van kleuren (5 sec.)
		025 ⇔ 029	CMY het mengen van kleuren (5 sec.)
		030 ⇔ 034	Geen functie
		035 ⇔ 039	Geen functie
		040 ⇔ 044	Geen functie
		045 ⇔ 049	Geen functie
		050 ⇔ 054	Kantelreset (5 s activeringsvertraging)
		055 ⇔ 059	Zwenkreset (5 s activeringsvertraging)
		060 ⇔ 064	Zoomreset (5 s activeringsvertraging)
		065 ⇔ 069	Geen functie
		070 ⇔ 074	Alles resetten (5 s activeringsvertraging)
		075 ⇔ 079	Geen functie
		080 ⇔ 084	Zwenk/kantelbeweging omdraaien (5 s activeringsvertraging)
		085 ⇔ 089	Zwenkbeweging omdraaien (5 s activeringsvertraging)
		090 ⇔ 094	Kantelbeweging omdraaien (5 s activeringsvertraging)
		095 ⇔ 099	Uitschakelen zwenkbeweging omdraaien (5 s activeringsvertraging)
		100 ⇔ 104	Uitschakelen kantelbeweging omdraaien (5 s activeringsvertraging)
		105 ⇔ 109	Uitschakelen zwenk/kantelbeweging omdraaien (5 s activeringsvertraging)
110 ⇔ 114	Geen functie		
115 ⇔ 119	Geen functie		
120 ⇔ 124	Zuinige ventilator (5 s activeringsvertraging)		
125 ⇔ 129	Volledige ventilator (5 s activeringsvertraging)		
130 ⇔ 134	Automatische ventilator (5 s activeringsvertraging)		
135 ⇔ 139	Snelle dimmercurve (5 s activeringsvertraging)		
140 ⇔ 144	Glادة dimmercurve (5 s activeringsvertraging)		
145 ⇔ 149	Lineaire curve		
150 ⇔ 154	Vierkante curve		
155 ⇔ 159	I Vierkante curve		
160 ⇔ 164	Scurve		
165 ⇔ 169	Witmodus ingeschakeld		
170 ⇔ 174	Witmodus uitgeschakeld		
145 ⇔ 255	Geen functie		
28	Rood (Cyaan)	000 ⇔ 255	0-100%
29	Fijne Rood (Cyaan)	000 ⇔ 255	Fijne regeling (16-bit)
30	Groen (Magenta)	000 ⇔ 255	0-100%
31	Fijne Groen (Magenta)	000 ⇔ 255	Fijne regeling (16-bit)
32	Blauw (Geel)	000 ⇔ 255	0-100%
33	Fijne Blauw (Geel)	000 ⇔ 255	Fijne regeling (16-bit)
34	Wit	000 ⇔ 255	0-100%
35	Fijne Wit	000 ⇔ 255	Fijne regeling (16-bit)
36	Rood 1 (Cyaan)	000 ⇔ 255	0-100%
37	Fijne Rood 1 (Cyaan)	000 ⇔ 255	Fijne regeling (16-bit)
38	Groen 1 (Magenta)	000 ⇔ 255	0-100%
39	Fijne Groen 1 (Magenta)	000 ⇔ 255	Fijne regeling (16-bit)
40	Blauw 1 (Geel)	000 ⇔ 255	0-100%
41	Fijne Blauw 1 (Geel)	000 ⇔ 255	Fijne regeling (16-bit)
42	Wit 1	000 ⇔ 255	0-100%
43	Fijne Wit 1	000 ⇔ 255	Fijne regeling (16-bit)
44	Rood 2 (Cyaan)	000 ⇔ 255	0-100%
45	Fijne Rood 2 (Cyaan)	000 ⇔ 255	Fijne regeling (16-bit)
46	Groen 2 (Magenta)	000 ⇔ 255	0-100%
47	Fijne Groen 2 (Magenta)	000 ⇔ 255	Fijne regeling (16-bit)
48	Blauw 2 (Geel)	000 ⇔ 255	0-100%

Kanaal	Functie	Waarde	Percentage/instelling
49	Fijne Blauw 2 (Geel)	000 ⇔ 255	Fijne regeling (16-bit)
50	Wit 2	000 ⇔ 255	0-100%
51	Fijne Wit 2	000 ⇔ 255	Fijne regeling (16-bit)
52	Rood 3 (Cyaan)	000 ⇔ 255	0-100%
53	Fijne Rood 3 (Cyaan)	000 ⇔ 255	Fijne regeling (16-bit)
54	Groen 3 (Magenta)	000 ⇔ 255	0-100%
55	Fijne Groen 3 (Magenta)	000 ⇔ 255	Fijne regeling (16-bit)
56	Blauw 3 (Geel)	000 ⇔ 255	0-100%
57	Fijne Blauw 3 (Geel)	000 ⇔ 255	Fijne regeling (16-bit)
58	Wit 3	000 ⇔ 255	0-100%
59	Fijne Wit 3	000 ⇔ 255	Fijne regeling (16-bit)
60	Rood 4 (Cyaan)	000 ⇔ 255	0-100%
61	Fijne Rood 4 (Cyaan)	000 ⇔ 255	Fijne regeling (16-bit)
62	Groen 4 (Magenta)	000 ⇔ 255	0-100%
63	Fijne Groen 4 (Magenta)	000 ⇔ 255	Fijne regeling (16-bit)
64	Blauw 4 (Geel)	000 ⇔ 255	0-100%
65	Fijne Blauw 4 (Geel)	000 ⇔ 255	Fijne regeling (16-bit)
66	Wit 4	000 ⇔ 255	0-100%
67	Fijne Wit 4	000 ⇔ 255	Fijne regeling (16-bit)
68	Rood 5 (Cyaan)	000 ⇔ 255	0-100%
69	Fijne Rood 5 (Cyaan)	000 ⇔ 255	Fijne regeling (16-bit)
70	Groen 5 (Magenta)	000 ⇔ 255	0-100%
71	Fijne Groen 5 (Magenta)	000 ⇔ 255	Fijne regeling (16-bit)
72	Blauw 5 (Geel)	000 ⇔ 255	0-100%
73	Fijne Blauw 5 (Geel)	000 ⇔ 255	Fijne regeling (16-bit)
74	Wit 5	000 ⇔ 255	0-100%
75	Fijne Wit 5	000 ⇔ 255	Fijne regeling (16-bit)
76	Rood 6 (Cyaan)	000 ⇔ 255	0-100%
77	Fijne Rood 6 (Cyaan)	000 ⇔ 255	Fijne regeling (16-bit)
78	Groen 6 (Magenta)	000 ⇔ 255	0-100%
79	Fijne Groen 6 (Magenta)	000 ⇔ 255	Fijne regeling (16-bit)
80	Blauw 6 (Geel)	000 ⇔ 255	0-100%
81	Fijne Blauw 6 (Geel)	000 ⇔ 255	Fijne regeling (16-bit)
82	Wit 6	000 ⇔ 255	0-100%
83	Fijne Wit 6	000 ⇔ 255	Fijne regeling (16-bit)
84	Rood 7 (Cyaan)	000 ⇔ 255	0-100%
85	Fijne Rood 7 (Cyaan)	000 ⇔ 255	Fijne regeling (16-bit)
86	Groen 7 (Magenta)	000 ⇔ 255	0-100%
87	Fijne Groen 7 (Magenta)	000 ⇔ 255	Fijne regeling (16-bit)
88	Blauw 7 (Geel)	000 ⇔ 255	0-100%
89	Fijne Blauw 7 (Geel)	000 ⇔ 255	Fijne regeling (16-bit)
90	Wit 7	000 ⇔ 255	0-100%
91	Fijne Wit 7	000 ⇔ 255	Fijne regeling (16-bit)
92	Rood 8 (Cyaan)	000 ⇔ 255	0-100%
93	Fijne Rood 8 (Cyaan)	000 ⇔ 255	Fijne regeling (16-bit)
94	Groen 8 (Magenta)	000 ⇔ 255	0-100%
95	Fijne Groen 8 (Magenta)	000 ⇔ 255	Fijne regeling (16-bit)
96	Blauw 8 (Geel)	000 ⇔ 255	0-100%
97	Fijne Blauw 8 (Geel)	000 ⇔ 255	Fijne regeling (16-bit)
98	Wit 8	000 ⇔ 255	0-100%
99	Fijne Wit 8	000 ⇔ 255	Fijne regeling (16-bit)
100	Rood 9 (Cyaan)	000 ⇔ 255	0-100%
101	Fijne Rood 9 (Cyaan)	000 ⇔ 255	Fijne regeling (16-bit)

NL

Kanaal	Functie	Waarde	Percentage/instelling
102	Groen 9 (Magenta)	000 ⇔ 255	0-100%
103	Fijne Groen 9 (Magenta)	000 ⇔ 255	Fijne regeling (16-bit)
104	Blauw 9 (Geel)	000 ⇔ 255	0-100%
105	Fijne Blauw 9 (Geel)	000 ⇔ 255	Fijne regeling (16-bit)
106	Wit 9	000 ⇔ 255	0-100%
107	Fijne Wit 9	000 ⇔ 255	Fijne regeling (16-bit)

## 71CH

Kanaal	Functie	Waarde	Percentage/instelling
1	Zwenken	000 ⇔ 255	0-100%
2	Fijn zwenken	000 ⇔ 255	Fijne regeling (16-bit)
3	Kantelen	000 ⇔ 255	0-100%
4	Fijn kantelen	000 ⇔ 255	Fijne regeling (16-bit)
5	Zwenk-/kantelsnelheid	000 ⇔ 255	0-100%
6	Dimmer	000 ⇔ 255	0-100%
7	Fijne dimmer	000 ⇔ 255	Fijne regeling (16-bit)
8	Sluiter	000 ⇔ 019 Gesloten 020 ⇔ 024 Open 025 ⇔ 064 Snel tot langzaam 065 ⇔ 069 Open 070 ⇔ 084 Snel aan/afloop uit 085 ⇔ 089 Open 090 ⇔ 104 Afloop uit/snel aan 105 ⇔ 109 Open 110 ⇔ 124 Willekeurig 125 ⇔ 129 Open 130 ⇔ 144 Willekeurig snel/afloop uit 145 ⇔ 149 Open 150 ⇔ 164 Willekeurig langzaam aan/snel uit 165 ⇔ 169 Open 170 ⇔ 184 Puls 185 ⇔ 189 Open 190 ⇔ 204 Willekeurige puls 205 ⇔ 209 Open 210 ⇔ 224 Fade aan/uit 225 ⇔ 229 Open 230 ⇔ 244 Puls 245 ⇔ 255 Open	
9	CTC	000 Geen functie 001 ⇔ 255 2800 to 10000K	
10	Kleur	000 Geen functie 001 ⇔ 002 2700K R:156 G: 118 B: 0 W: 63 003 ⇔ 004 3200K R:156 G: 141 B: 5 W: 89 005 ⇔ 006 4200K R:156 G: 141 B: 14 W: 255 007 ⇔ 008 5600K R:156 G: 207 B: 54 W: 255 009 ⇔ 010 8000K R:130 G: 255 B: 96 W: 255 11 Azul R: 0 G: 0 B: 255 W: 0 012 ⇔ 048 R: 0 G: + B: 255 W: 0 049 Cian R: 0 G: 255 B: 255 W: 0 050 ⇔ 086 R: 0 G: 255 B: - W: 0 087 Verde R: 0 G: 255 B: 0 W: 0 088 ⇔ 124 R: + G: 255 B: 0 W: 0 125 Amarillo R: 255 G: 255 B: 0 W: 0 126 ⇔ 162 R: 255 G: - B: 0 W: 0 163 Rojo R: 255 G: 0 B: 0 W: 0 164 ⇔ 200 R: 255 G: 0 B: + W: 0 201 Magenta R: 255 G: 0 B: 255 W: 0 202 ⇔ 238 R: - G: 0 B: 255 W: 0 239 Azul R: 0 G: 0 B: 255 W: 0 240 ⇔ 247 Kleur veranderen, snel naar langzaam 248 ⇔ 255 Kleur jump, snel naar langzaam	

Kanaal	Functie	Waarde	Percentage/instelling
11	Gobo	000 ⇔ 003	Geen functie
		004 ⇔ 006	Gobo 1
		007 ⇔ 009	Gobo 2
		010 ⇔ 012	Gobo 3
		013 ⇔ 015	Gobo 4
		016 ⇔ 018	Gobo 5
		019 ⇔ 021	Gobo 6
		022 ⇔ 024	Gobo 7
		025 ⇔ 027	Gobo 8
		028 ⇔ 030	Gobo 9
		031 ⇔ 033	Geen Gobo
		034 ⇔ 036	Gobo 10
		037 ⇔ 039	Gobo 11
		040 ⇔ 042	Gobo 12
		043 ⇔ 045	Gobo 13
		046 ⇔ 048	Gobo 14
		049 ⇔ 051	Gobo 15
		052 ⇔ 054	Gobo 16
		055 ⇔ 057	Gobo 17
		058 ⇔ 060	Gobo 18
		061 ⇔ 063	Gobo 19
		064 ⇔ 066	Gobo 20
		067 ⇔ 069	Gobo 21
		070 ⇔ 072	Gobo 22
		073 ⇔ 075	Gobo 23
		076 ⇔ 078	Gobo 24
		079 ⇔ 081	Gobo 25
		082 ⇔ 084	Gobo 26
		085 ⇔ 087	Gobo 27
		088 ⇔ 090	Gobo 28
		091 ⇔ 093	Gobo 29
		094 ⇔ 096	Gobo 30
		097 ⇔ 099	Gobo 31
		100 ⇔ 102	Gobo 32
		103 ⇔ 105	Gobo 33
		106 ⇔ 108	Gobo 34
		109 ⇔ 111	Gobo 35
		112 ⇔ 114	Gobo 36
		115 ⇔ 117	Gobo 37
		118 ⇔ 120	Gobo 38
121 ⇔ 123	Gobo 39		
124 ⇔ 126	Gobo 40		
127 ⇔ 129	Gobo 41		
130 ⇔ 132	Gobo 42		
133 ⇔ 135	Gobo 43		
136 ⇔ 138	Gobo 44		
139 ⇔ 141	Gobo 45		
142 ⇔ 144	Gobo 46		
145 ⇔ 147	Gobo 47		
148 ⇔ 150	Gobo 48		
151 ⇔ 153	Gobo 49		
154 ⇔ 156	Gobo 50		
157 ⇔ 159	Gobo 51		
160 ⇔ 162	Gobo 52		
163 ⇔ 165	Gobo 53		
166 ⇔ 168	Gobo 54		
169 ⇔ 171	Gobo 55		
172 ⇔ 174	Gobo 56		
175 ⇔ 177	Gobo 57		
178 ⇔ 180	Gobo 58		
181 ⇔ 183	Gobo 59		
184 ⇔ 186	Gobo 60		
187 ⇔ 189	Gobo 61		
190 ⇔ 192	Gobo 62		
193 ⇔ 195	Gobo 63		
196 ⇔ 198	Gobo 64		



Kanaal	Functie	Waarde	Percentage/instelling
11 (vervolg)	Gobo (vervolg)	199 ⇄ 201	Gobo 65
		202 ⇄ 204	Gobo 66
		205 ⇄ 207	Gobo 67
		208 ⇄ 210	Gobo 68
		211 ⇄ 213	Gobo 69
		214 ⇄ 216	Gobo 70
		217 ⇄ 219	Gobo 71
		220 ⇄ 222	Gobo 72
		223 ⇄ 225	Gobo 73
		226 ⇄ 228	Gobo 74
		229 ⇄ 231	Gobo 75
		232 ⇄ 234	Gobo 76
		235 ⇄ 237	Gobo 77
		238 ⇄ 240	Gobo 78
		241 ⇄ 243	Gobo 79
		244 ⇄ 246	Gobo 80
		247 ⇄ 249	Gobo 81
250 ⇄ 252	Gobo 82		
253 ⇄ 255	Gobo 83		
12	LED Ingebouwde	001 ⇄ 015	Geen functie
		016 ⇄ 017	Ingebouwde 1
		018 ⇄ 019	Ingebouwde 2
		020 ⇄ 021	Ingebouwde 3
		022 ⇄ 023	Ingebouwde 4
		024 ⇄ 025	Ingebouwde 5
		026 ⇄ 027	Ingebouwde 6
		028 ⇄ 029	Ingebouwde 7
		030 ⇄ 031	Ingebouwde 8
		032 ⇄ 033	Ingebouwde 9
		034 ⇄ 035	Ingebouwde 10
		036 ⇄ 037	Ingebouwde 11
		038 ⇄ 039	Ingebouwde 12
		040 ⇄ 041	Ingebouwde 13
		042 ⇄ 043	Ingebouwde 14
		044 ⇄ 045	Ingebouwde 15
		046 ⇄ 047	Ingebouwde 16
		048 ⇄ 049	Ingebouwde 17
		050 ⇄ 051	Ingebouwde 18
		052 ⇄ 053	Ingebouwde 19
		054 ⇄ 055	Ingebouwde 20
		056 ⇄ 057	Ingebouwde 21
		058 ⇄ 059	Ingebouwde 22
		060 ⇄ 061	Ingebouwde 23
		062 ⇄ 063	Ingebouwde 24
		064 ⇄ 065	Ingebouwde 25
		066 ⇄ 067	Ingebouwde 26
		068 ⇄ 069	Ingebouwde 27
		070 ⇄ 071	Ingebouwde 28
		072 ⇄ 073	Ingebouwde 29
		074 ⇄ 075	Ingebouwde 30
		076 ⇄ 077	Ingebouwde 31
		078 ⇄ 079	Ingebouwde 32
		080 ⇄ 081	Ingebouwde 33
		082 ⇄ 083	Ingebouwde 34
		084 ⇄ 085	Ingebouwde 35
		086 ⇄ 087	Ingebouwde 36
088 ⇄ 089	Ingebouwde 37		
090 ⇄ 091	Ingebouwde 38		
092 ⇄ 093	Ingebouwde 39		
094 ⇄ 095	Ingebouwde 40		
096 ⇄ 097	Ingebouwde 41		
098 ⇄ 099	Ingebouwde 42		
100 ⇄ 101	Ingebouwde 43		
102 ⇄ 103	Ingebouwde 44		
104 ⇄ 105	Ingebouwde 45		



Kanaal	Functie	Waarde	Percentage/instelling
<b>12</b> <b>(vervolg)</b>	<b>LED Ingebouwde</b> <b>(vervolg)</b>	106 ⇄ 107	Ingebouwde 46
		108 ⇄ 109	Ingebouwde 47
		110 ⇄ 111	Ingebouwde 48
		112 ⇄ 113	Ingebouwde 49
		114 ⇄ 115	Ingebouwde 50
		116 ⇄ 117	Ingebouwde 51
		118 ⇄ 119	Ingebouwde 52
		120 ⇄ 121	Ingebouwde 53
		122 ⇄ 123	Ingebouwde 54
		124 ⇄ 125	Ingebouwde 55
		126 ⇄ 127	Ingebouwde 56
		128 ⇄ 135	Ingebouwde 57
		136 ⇄ 137	Ingebouwde 58
		138 ⇄ 139	Ingebouwde 59
		140 ⇄ 141	Ingebouwde 60
		142 ⇄ 143	Ingebouwde 61
		144 ⇄ 145	Ingebouwde 62
		146 ⇄ 147	Ingebouwde 63
		148 ⇄ 149	Ingebouwde 64
		150 ⇄ 151	Ingebouwde 65
		152 ⇄ 153	Ingebouwde 66
		154 ⇄ 155	Ingebouwde 67
		156 ⇄ 157	Ingebouwde 68
		158 ⇄ 159	Ingebouwde 69
		160 ⇄ 161	Ingebouwde 70
		162 ⇄ 163	Ingebouwde 71
		164 ⇄ 165	Ingebouwde 72
		166 ⇄ 167	Ingebouwde 73
		168 ⇄ 169	Ingebouwde 74
		170 ⇄ 171	Ingebouwde 75
		172 ⇄ 173	Ingebouwde 76
		174 ⇄ 175	Ingebouwde 77
		176 ⇄ 177	Ingebouwde 78
		178 ⇄ 179	Ingebouwde 79
		180 ⇄ 181	Ingebouwde 80
		182 ⇄ 183	Ingebouwde 81
		184 ⇄ 185	Ingebouwde 82
		186 ⇄ 187	Ingebouwde 83
		188 ⇄ 189	Ingebouwde 84
		190 ⇄ 191	Ingebouwde 85
192 ⇄ 193	Ingebouwde 86		
194 ⇄ 195	Ingebouwde 87		
196 ⇄ 197	Ingebouwde 88		
198 ⇄ 199	Ingebouwde 89		
200 ⇄ 201	Ingebouwde 90		
202 ⇄ 203	Ingebouwde 91		
204 ⇄ 205	Ingebouwde 92		
206 ⇄ 207	Ingebouwde 93		
208 ⇄ 209	Ingebouwde 94		
210 ⇄ 211	Ingebouwde 95		
212 ⇄ 213	Ingebouwde 96		
214 ⇄ 215	Ingebouwde 97		
216 ⇄ 217	Ingebouwde 98		
218 ⇄ 219	Ingebouwde 99		
220 ⇄ 221	Ingebouwde 100		
222 ⇄ 223	Ingebouwde 101		
224 ⇄ 225	Ingebouwde 102		
226 ⇄ 227	Ingebouwde 103		
228 ⇄ 229	Ingebouwde 104		
230 ⇄ 231	Ingebouwde 105		

Kanaal	Functie	Waarde	Percentage/instelling
12 (vervolg)	LED Ingebouwde (vervolg)	232 ⇔ 233	Ingebouwde 106
		234 ⇔ 235	Ingebouwde 107
		236 ⇔ 237	Ingebouwde 108
		238 ⇔ 239	Ingebouwde 109
		240 ⇔ 241	Ingebouwde 110
		242 ⇔ 243	Ingebouwde 111
		244 ⇔ 245	Ingebouwde 112
		246 ⇔ 247	Ingebouwde 113
248 ⇔ 255	Ingebouwde 114		
13	LED Ingebouwde snelheid	001 ⇔ 127	Roteren met de klok mee, langzaam tot snel
		128 129 ⇔ 255	Stop Tegen de klok in roteren, snel tot langzaam
14	LED Ingebouwde vertraging	000 ⇔ 255	Langzaam tot snel
15	Achtergrondkleur macro	000	Geen functie
		001 ⇔ 002	2700K R:156 G: 118 B: 0 W: 63
		003 ⇔ 004	3200K R:156 G: 141 B: 5 W: 89
		005 ⇔ 006	4200K R:156 G: 141 B: 14 W: 255
		007 ⇔ 008	5600K R:156 G: 207 B: 54 W: 255
		009 ⇔ 010	8000K R:130 G: 255 B: 96 W: 255
		11	Azul R: 0 G: 0 B: 255 W: 0
		012 ⇔ 048	R: 0 G: + B: 255 W: 0
		049	Cian R: 0 G: 255 B: 255 W: 0
		050 ⇔ 086	R: 0 G: 255 B: - W: 0
		087	Verde R: 0 G: 255 B: 0 W: 0
		088 ⇔ 124	R: + G: 255 B: 0 W: 0
		125	Amarillo R: 255 G: 255 B: 0 W: 0
		126 ⇔ 162	R: 255 G: - B: 0 W: 0
		163	Rojo R: 255 G: 0 B: 0 W: 0
		164 ⇔ 200	R: 255 G: 0 B: + W: 0
		201	Magenta R: 255 G: 0 B: 255 W: 0
202 ⇔ 238	R: - G: 0 B: 255 W: 0		
239	Azul R: 0 G: 0 B: 255 W: 0		
240 ⇔ 247	Kleur veranderen, snel naar langzaam		
248 ⇔ 255	Kleur jump, snel naar langzaam		
16	Achtergrondkleur Dimmer	000 ⇔ 255	0-100%
17	Background Rood	000 ⇔ 255	0-100%
18	Background Groen	000 ⇔ 255	0-100%
19	Background Blauw	000 ⇔ 255	0-100%
20	Background Wit	000 ⇔ 255	0-100%
21	Zoom	000 ⇔ 255	0-100%

Kanaal	Functie	Waarde	Percentage/instelling
<b>22</b>	<b>Regeling</b>	001 ⇔ 009	Geen functie
		010 ⇔ 014	Verduisteren tijdens zwenken/kantelen
		015 ⇔ 019	Geen functie
		020 ⇔ 024	RGBW het mengen van kleuren (5 sec.)
		025 ⇔ 029	CMY het mengen van kleuren (5 sec.)
		030 ⇔ 034	Geen functie
		035 ⇔ 039	Geen functie
		040 ⇔ 044	Geen functie
		045 ⇔ 049	Geen functie
		050 ⇔ 054	Kantelreset (5 s activeringsvertraging)
		055 ⇔ 059	Zwenkreset (5 s activeringsvertraging)
		060 ⇔ 064	Zoomreset (5 s activeringsvertraging)
		065 ⇔ 069	Geen functie
		070 ⇔ 074	Alles resetten (5 s activeringsvertraging)
		075 ⇔ 079	Geen functie
		080 ⇔ 084	Zwenk/kantelbeweging omdraaien (5 s activeringsvertraging)
		085 ⇔ 089	Zwenkbeweging omdraaien (5 s activeringsvertraging)
		090 ⇔ 094	Kantelbeweging omdraaien (5 s activeringsvertraging)
		095 ⇔ 099	Uitschakelen zwenkbeweging omdraaien (5 s activeringsvertraging)
		100 ⇔ 104	Uitschakelen kantelbeweging omdraaien (5 s activeringsvertraging)
		105 ⇔ 109	Uitschakelen zwenk/kantelbeweging omdraaien (5 s activeringsvertraging)
		110 ⇔ 114	Geen functie
		115 ⇔ 119	Geen functie
		120 ⇔ 124	Zuinige ventilator (5 s activeringsvertraging)
		125 ⇔ 129	Volledige ventilator (5 s activeringsvertraging)
		130 ⇔ 134	Automatische ventilator (5 s activeringsvertraging)
		135 ⇔ 139	Snelle dimmercurve (5 s activeringsvertraging)
140 ⇔ 144	Gladde dimmercurve (5 s activeringsvertraging)		
145 ⇔ 149	Lineaire curve		
150 ⇔ 154	Vierkante curve		
155 ⇔ 159	I Vierkante curve		
160 ⇔ 164	Scurve		
165 ⇔ 169	Witmodus ingeschakeld		
170 ⇔ 174	Witmodus uitgeschakeld		
145 ⇔ 255	Geen functie		
<b>23</b>	<b>Rood (Cyaan)</b>	000 ⇔ 255	0-100%
<b>24</b>	<b>Groen (Magenta)</b>	000 ⇔ 255	0-100%
<b>25</b>	<b>Blauw (Geel)</b>	000 ⇔ 255	0-100%
<b>26</b>	<b>Wit</b>	000 ⇔ 255	0-100%
<b>27</b>	<b>Dimmer 1</b>	000 ⇔ 255	0-100%
<b>28</b>	<b>Rood 1 (Cyaan)</b>	000 ⇔ 255	0-100%
<b>29</b>	<b>Groen 1 (Magenta)</b>	000 ⇔ 255	0-100%
<b>30</b>	<b>Blauw 1 (Geel)</b>	000 ⇔ 255	0-100%
<b>31</b>	<b>Wit 1</b>	000 ⇔ 255	0-100%
<b>32</b>	<b>Dimmer 2</b>	000 ⇔ 255	0-100%
<b>33</b>	<b>Rood 2 (Cyaan)</b>	000 ⇔ 255	0-100%
<b>34</b>	<b>Groen 2 (Magenta)</b>	000 ⇔ 255	0-100%
<b>35</b>	<b>Blauw 2 (Geel)</b>	000 ⇔ 255	0-100%
<b>36</b>	<b>Wit 2</b>	000 ⇔ 255	0-100%
<b>37</b>	<b>Dimmer 3</b>	000 ⇔ 255	0-100%
<b>38</b>	<b>Rood 3 (Cyaan)</b>	000 ⇔ 255	0-100%
<b>39</b>	<b>Groen 3 (Magenta)</b>	000 ⇔ 255	0-100%
<b>40</b>	<b>Blauw 3 (Geel)</b>	000 ⇔ 255	0-100%
<b>41</b>	<b>Wit 3</b>	000 ⇔ 255	0-100%
<b>42</b>	<b>Dimmer 4</b>	000 ⇔ 255	0-100%
<b>43</b>	<b>Rood 4 (Cyaan)</b>	000 ⇔ 255	0-100%
<b>44</b>	<b>Groen 4 (Magenta)</b>	000 ⇔ 255	0-100%
<b>45</b>	<b>Blauw 4 (Geel)</b>	000 ⇔ 255	0-100%
<b>46</b>	<b>Wit 4</b>	000 ⇔ 255	0-100%
<b>47</b>	<b>Dimmer 5</b>	000 ⇔ 255	0-100%

Kanaal	Functie	Waarde	Percentage/instelling
48	Rood 5 (Cyaan)	000 ⇔ 255	0-100%
49	Groen 5 (Magenta)	000 ⇔ 255	0-100%
50	Blauw 5 (Geel)	000 ⇔ 255	0-100%
51	Wit 5	000 ⇔ 255	0-100%
52	Dimmer 6	000 ⇔ 255	0-100%
53	Rood 6 (Cyaan)	000 ⇔ 255	0-100%
54	Groen 6 (Magenta)	000 ⇔ 255	0-100%
55	Blauw 6 (Geel)	000 ⇔ 255	0-100%
56	Wit 6	000 ⇔ 255	0-100%
57	Dimmer 7	000 ⇔ 255	0-100%
58	Rood 7 (Cyaan)	000 ⇔ 255	0-100%
59	Groen 7 (Magenta)	000 ⇔ 255	0-100%
60	Blauw 7 (Geel)	000 ⇔ 255	0-100%
61	Wit 7	000 ⇔ 255	0-100%
62	Dimmer 8	000 ⇔ 255	0-100%
63	Rood 8 (Cyaan)	000 ⇔ 255	0-100%
64	Groen 8 (Magenta)	000 ⇔ 255	0-100%
65	Blauw 8 (Geel)	000 ⇔ 255	0-100%
66	Wit 8	000 ⇔ 255	0-100%
67	Dimmer 9	000 ⇔ 255	0-100%
68	Rood 9 (Cyaan)	000 ⇔ 255	0-100%
69	Groen 9 (Magenta)	000 ⇔ 255	0-100%
70	Blauw 9 (Geel)	000 ⇔ 255	0-100%
71	Wit 9	000 ⇔ 255	0-100%

## 62CH

Kanaal	Functie	Waarde	Percentage/instelling
1	Zwenken	000 ⇔ 255	0-100%
2	Fijn zwenken	000 ⇔ 255	Fijne regeling (16-bit)
3	Kantelen	000 ⇔ 255	0-100%
4	Fijn kantelen	000 ⇔ 255	Fijne regeling (16-bit)
5	Zwenk-/kantelsnelheid	000 ⇔ 255	0-100%
6	Dimmer	000 ⇔ 255	0-100%
7	Fijne dimmer	000 ⇔ 255	Fijne regeling (16-bit)
8	Sluiter	000 ⇔ 019 Gesloten 020 ⇔ 024 Open 025 ⇔ 064 Snel tot langzaam 065 ⇔ 069 Open 070 ⇔ 084 Snel aan/afloop uit 085 ⇔ 089 Open 090 ⇔ 104 Afloop uit/snel aan 105 ⇔ 109 Open 110 ⇔ 124 Willekeurig 125 ⇔ 129 Open 130 ⇔ 144 Willekeurig snel/afloop uit 145 ⇔ 149 Open 150 ⇔ 164 Willekeurig langzaam aan/snel uit 165 ⇔ 169 Open 170 ⇔ 184 Puls 185 ⇔ 189 Open 190 ⇔ 204 Willekeurige puls 205 ⇔ 209 Open 210 ⇔ 224 Fade aan/uit 225 ⇔ 229 Open 230 ⇔ 244 Puls 245 ⇔ 255 Open	

Kanaal	Functie	Waarde	Percentage/instelling			
9	<b>CTC</b>	000 001 ⇔ 255	Geen functie 2800 to 10000K			
10	<b>Kleur</b>	000 001 ⇔ 002 003 ⇔ 004 005 ⇔ 006 007 ⇔ 008 009 ⇔ 010 11 012 ⇔ 048 049 050 ⇔ 086 087 088 ⇔ 124 125 126 ⇔ 162 163 164 ⇔ 200 201 202 ⇔ 238 239 240 ⇔ 247 248 ⇔ 255	Geen functie 2700K R:156 G: 118 B: 0 W: 63 3200K R:156 G: 141 B: 5 W: 89 4200K R:156 G: 141 B: 14 W: 255 5600K R:156 G: 207 B: 54 W: 255 8000K R:130 G: 255 B: 96 W: 255 Azul R: 0 G: 0 B: 255 W: 0 R: 0 G: + B: 255 W: 0 Cian R: 0 G: 255 B: 255 W: 0 R: 0 G: 255 B: - W: 0 Verde R: 0 G: 255 B: 0 W: 0 R: + G: 255 B: 0 W: 0 Amarillo R: 255 G: 255 B: 0 W: 0 R: 255 G: - B: 0 W: 0 Rojo R: 255 G: 0 B: 0 W: 0 R: 255 G: 0 B: + W: 0 Magenta R: 255 G: 0 B: 255 W: 0 R: - G: 0 B: 255 W: 0 Azul R: 0 G: 0 B: 255 W: 0 Kleur veranderen, snel naar langzaam Kleur jump, snel naar langzaam			
11	<b>Gobo</b>	000 ⇔ 003 004 ⇔ 006 007 ⇔ 009 010 ⇔ 012 013 ⇔ 015 016 ⇔ 018 019 ⇔ 021 022 ⇔ 024 025 ⇔ 027 028 ⇔ 030 031 ⇔ 033 034 ⇔ 036 037 ⇔ 039 040 ⇔ 042 043 ⇔ 045 046 ⇔ 048 049 ⇔ 051 052 ⇔ 054 055 ⇔ 057 058 ⇔ 060 061 ⇔ 063 064 ⇔ 066 067 ⇔ 069 070 ⇔ 072 073 ⇔ 075 076 ⇔ 078 079 ⇔ 081 082 ⇔ 084 085 ⇔ 087 088 ⇔ 090 091 ⇔ 093 094 ⇔ 096 097 ⇔ 099 100 ⇔ 102 103 ⇔ 105 106 ⇔ 108 109 ⇔ 111 112 ⇔ 114 115 ⇔ 117 118 ⇔ 120 121 ⇔ 123 124 ⇔ 126	Geen functie Gobo 1 Gobo 2 Gobo 3 Gobo 4 Gobo 5 Gobo 6 Gobo 7 Gobo 8 Gobo 9 Geen Gobo Gobo 10 Gobo 11 Gobo 12 Gobo 13 Gobo 14 Gobo 15 Gobo 16 Gobo 17 Gobo 18 Gobo 19 Gobo 20 Gobo 21 Gobo 22 Gobo 23 Gobo 24 Gobo 25 Gobo 26 Gobo 27 Gobo 28 Gobo 29 Gobo 30 Gobo 31 Gobo 32 Gobo 33 Gobo 34 Gobo 35 Gobo 36 Gobo 37 Gobo 38 Gobo 39 Gobo 40			

Kanaal	Functie	Waarde	Percentage/instelling
11 (vervolg)	Gobo (vervolg)	127 ⇄ 129	Gobo 41
		130 ⇄ 132	Gobo 42
		133 ⇄ 135	Gobo 43
		136 ⇄ 138	Gobo 44
		139 ⇄ 141	Gobo 45
		142 ⇄ 144	Gobo 46
		145 ⇄ 147	Gobo 47
		148 ⇄ 150	Gobo 48
		151 ⇄ 153	Gobo 49
		154 ⇄ 156	Gobo 50
		157 ⇄ 159	Gobo 51
		160 ⇄ 162	Gobo 52
		163 ⇄ 165	Gobo 53
		166 ⇄ 168	Gobo 54
		169 ⇄ 171	Gobo 55
		172 ⇄ 174	Gobo 56
		175 ⇄ 177	Gobo 57
		178 ⇄ 180	Gobo 58
		181 ⇄ 183	Gobo 59
		184 ⇄ 186	Gobo 60
		187 ⇄ 189	Gobo 61
		190 ⇄ 192	Gobo 62
		193 ⇄ 195	Gobo 63
		196 ⇄ 198	Gobo 64
		199 ⇄ 201	Gobo 65
		202 ⇄ 204	Gobo 66
		205 ⇄ 207	Gobo 67
		208 ⇄ 210	Gobo 68
		211 ⇄ 213	Gobo 69
		214 ⇄ 216	Gobo 70
		217 ⇄ 219	Gobo 71
		220 ⇄ 222	Gobo 72
		223 ⇄ 225	Gobo 73
		226 ⇄ 228	Gobo 74
229 ⇄ 231	Gobo 75		
232 ⇄ 234	Gobo 76		
235 ⇄ 237	Gobo 77		
238 ⇄ 240	Gobo 78		
241 ⇄ 243	Gobo 79		
244 ⇄ 246	Gobo 80		
247 ⇄ 249	Gobo 81		
250 ⇄ 252	Gobo 82		
253 ⇄ 255	Gobo 83		
12	LED Ingebouwde	001 ⇄ 015	Geen functie
		016 ⇄ 017	Ingebouwde 1
		018 ⇄ 019	Ingebouwde 2
		020 ⇄ 021	Ingebouwde 3
		022 ⇄ 023	Ingebouwde 4
		024 ⇄ 025	Ingebouwde 5
		026 ⇄ 027	Ingebouwde 6
		028 ⇄ 029	Ingebouwde 7
		030 ⇄ 031	Ingebouwde 8
		032 ⇄ 033	Ingebouwde 9
		034 ⇄ 035	Ingebouwde 10
		036 ⇄ 037	Ingebouwde 11
		038 ⇄ 039	Ingebouwde 12
		040 ⇄ 041	Ingebouwde 13
		042 ⇄ 043	Ingebouwde 14
		044 ⇄ 045	Ingebouwde 15
		046 ⇄ 047	Ingebouwde 16
		048 ⇄ 049	Ingebouwde 17
		050 ⇄ 051	Ingebouwde 18
		052 ⇄ 053	Ingebouwde 19
054 ⇄ 055	Ingebouwde 20		

Kanaal	Functie	Waarde	Percentage/instelling
		056 ⇔ 057	Ingebouwde 21
		058 ⇔ 059	Ingebouwde 22
		060 ⇔ 061	Ingebouwde 23
		062 ⇔ 063	Ingebouwde 24
		064 ⇔ 065	Ingebouwde 25
		066 ⇔ 067	Ingebouwde 26
		068 ⇔ 069	Ingebouwde 27
		070 ⇔ 071	Ingebouwde 28
		072 ⇔ 073	Ingebouwde 29
		074 ⇔ 075	Ingebouwde 30
		076 ⇔ 077	Ingebouwde 31
		078 ⇔ 079	Ingebouwde 32
		080 ⇔ 081	Ingebouwde 33
		082 ⇔ 083	Ingebouwde 34
		084 ⇔ 085	Ingebouwde 35
		086 ⇔ 087	Ingebouwde 36
		088 ⇔ 089	Ingebouwde 37
		090 ⇔ 091	Ingebouwde 38
		092 ⇔ 093	Ingebouwde 39
		094 ⇔ 095	Ingebouwde 40
		096 ⇔ 097	Ingebouwde 41
		098 ⇔ 099	Ingebouwde 42
		100 ⇔ 101	Ingebouwde 43
		102 ⇔ 103	Ingebouwde 44
		104 ⇔ 105	Ingebouwde 45
		106 ⇔ 107	Ingebouwde 46
		108 ⇔ 109	Ingebouwde 47
		110 ⇔ 111	Ingebouwde 48
		112 ⇔ 113	Ingebouwde 49
		114 ⇔ 115	Ingebouwde 50
		116 ⇔ 117	Ingebouwde 51
		118 ⇔ 119	Ingebouwde 52
12 (vervolg)	LED Ingebouwde (vervolg)	120 ⇔ 121	Ingebouwde 53
		122 ⇔ 123	Ingebouwde 54
		124 ⇔ 125	Ingebouwde 55
		126 ⇔ 127	Ingebouwde 56
		128 ⇔ 135	Ingebouwde 57
		136 ⇔ 137	Ingebouwde 58
		138 ⇔ 139	Ingebouwde 59
		140 ⇔ 141	Ingebouwde 60
		142 ⇔ 143	Ingebouwde 61
		144 ⇔ 145	Ingebouwde 62
		146 ⇔ 147	Ingebouwde 63
		148 ⇔ 149	Ingebouwde 64
		150 ⇔ 151	Ingebouwde 65
		152 ⇔ 153	Ingebouwde 66
		154 ⇔ 155	Ingebouwde 67
		156 ⇔ 157	Ingebouwde 68
		158 ⇔ 159	Ingebouwde 69
		160 ⇔ 161	Ingebouwde 70
		162 ⇔ 163	Ingebouwde 71
		164 ⇔ 165	Ingebouwde 72
		166 ⇔ 167	Ingebouwde 73
		168 ⇔ 169	Ingebouwde 74
		170 ⇔ 171	Ingebouwde 75
		172 ⇔ 173	Ingebouwde 76
		174 ⇔ 175	Ingebouwde 77
		176 ⇔ 177	Ingebouwde 78
		178 ⇔ 179	Ingebouwde 79
		180 ⇔ 181	Ingebouwde 80
		182 ⇔ 183	Ingebouwde 81
		184 ⇔ 185	Ingebouwde 82
		186 ⇔ 187	Ingebouwde 83
		188 ⇔ 189	Ingebouwde 84
		190 ⇔ 191	Ingebouwde 85



Kanaal	Functie	Waarde	Percentage/instelling
12 (vervolg)	LED Ingebouwde (vervolg)	192 ⇔ 193	Ingebouwde 86
		194 ⇔ 195	Ingebouwde 87
		196 ⇔ 197	Ingebouwde 88
		198 ⇔ 199	Ingebouwde 89
		200 ⇔ 201	Ingebouwde 90
		202 ⇔ 203	Ingebouwde 91
		204 ⇔ 205	Ingebouwde 92
		206 ⇔ 207	Ingebouwde 93
		208 ⇔ 209	Ingebouwde 94
		210 ⇔ 211	Ingebouwde 95
		212 ⇔ 213	Ingebouwde 96
		214 ⇔ 215	Ingebouwde 97
		216 ⇔ 217	Ingebouwde 98
		218 ⇔ 219	Ingebouwde 99
		220 ⇔ 221	Ingebouwde 100
		222 ⇔ 223	Ingebouwde 101
		224 ⇔ 225	Ingebouwde 102
		226 ⇔ 227	Ingebouwde 103
		228 ⇔ 229	Ingebouwde 104
		230 ⇔ 231	Ingebouwde 105
		232 ⇔ 233	Ingebouwde 106
		234 ⇔ 235	Ingebouwde 107
		236 ⇔ 237	Ingebouwde 108
		238 ⇔ 239	Ingebouwde 109
		240 ⇔ 241	Ingebouwde 110
		242 ⇔ 243	Ingebouwde 111
		244 ⇔ 245	Ingebouwde 112
		246 ⇔ 247	Ingebouwde 113
248 ⇔ 255	Ingebouwde 114		
13	LED Ingebouwde snelheid	001 ⇔ 127 128 129 ⇔ 255	Roteren met de klok mee, langzaam tot snel Stop Tegen de klok in roteren, snel tot langzaam
14	LED Ingebouwde vertraging	000 ⇔ 255	Langzaam tot snel
15	Achtergrondkleur macro	000	Geen functie
		001 ⇔ 002	2700K R:156 G: 118 B: 0 W: 63
		003 ⇔ 004	3200K R:156 G: 141 B: 5 W: 89
		005 ⇔ 006	4200K R:156 G: 141 B: 14 W: 255
		007 ⇔ 008	5600K R:156 G: 207 B: 54 W: 255
		009 ⇔ 010	8000K R:130 G: 255 B: 96 W: 255
		11	Azul R: 0 G: 0 B: 255 W: 0
		012 ⇔ 048	R: 0 G: + B: 255 W: 0
		049	Cian R: 0 G: 255 B: 255 W: 0
		050 ⇔ 086	R: 0 G: 255 B: - W: 0
		087	Verde R: 0 G: 255 B: 0 W: 0
		088 ⇔ 124	R: + G: 255 B: 0 W: 0
		125	Amarillo R: 255 G: 255 B: 0 W: 0
		126 ⇔ 162	R: 255 G: - B: 0 W: 0
		163	Rojo R: 255 G: 0 B: 0 W: 0
		164 ⇔ 200	R: 255 G: 0 B: + W: 0
		201	Magenta R: 255 G: 0 B: 255 W: 0
		202 ⇔ 238	R: - G: 0 B: 255 W: 0
		239	Azul R: 0 G: 0 B: 255 W: 0
240 ⇔ 247	Kleur veranderen, snel naar langzaam		
248 ⇔ 255	Kleur jump, snel naar langzaam		
16	Achtergrondkleur Dimmer	000 ⇔ 255	0-100%
17	Background Rood	000 ⇔ 255	0-100%
18	Background Groen	000 ⇔ 255	0-100%
19	Background Blauw	000 ⇔ 255	0-100%
20	Background Wit	000 ⇔ 255	0-100%
21	Zoom	000 ⇔ 255	0-100%



Kanaal	Functie	Waarde	Percentage/instelling
<b>22</b>	<b>Regeling</b>	001 ⇔ 009	Geen functie
		010 ⇔ 014	Verduisteren tijdens zwenken/kantelen
		015 ⇔ 019	Geen functie
		020 ⇔ 024	RGBW het mengen van kleuren (5 sec.)
		025 ⇔ 029	CMY het mengen van kleuren (5 sec.)
		030 ⇔ 034	Geen functie
		035 ⇔ 039	Geen functie
		040 ⇔ 044	Geen functie
		045 ⇔ 049	Geen functie
		050 ⇔ 054	Kantelreset (5 s activeringsvertraging)
		055 ⇔ 059	Zwenkreset (5 s activeringsvertraging)
		060 ⇔ 064	Zoomreset (5 s activeringsvertraging)
		065 ⇔ 069	Geen functie
		070 ⇔ 074	Alles resetten (5 s activeringsvertraging)
		075 ⇔ 079	Geen functie
		080 ⇔ 084	Zwenk/kantelbeweging omdraaien (5 s activeringsvertraging)
		085 ⇔ 089	Zwenkbeweging omdraaien (5 s activeringsvertraging)
		090 ⇔ 094	Kantelbeweging omdraaien (5 s activeringsvertraging)
		095 ⇔ 099	Uitschakelen zwenkbeweging omdraaien (5 s activeringsvertraging)
		100 ⇔ 104	Uitschakelen kantelbeweging omdraaien (5 s activeringsvertraging)
		105 ⇔ 109	Uitschakelen zwenk/kantelbeweging omdraaien (5 s activeringsvertraging)
		110 ⇔ 114	Geen functie
		115 ⇔ 119	Geen functie
		120 ⇔ 124	Zuinige ventilator (5 s activeringsvertraging)
		125 ⇔ 129	Volledige ventilator (5 s activeringsvertraging)
		130 ⇔ 134	Automatische ventilator (5 s activeringsvertraging)
		135 ⇔ 139	Snelle dimmercurve (5 s activeringsvertraging)
		140 ⇔ 144	Gladde dimmercurve (5 s activeringsvertraging)
145 ⇔ 149	Lineaire curve		
150 ⇔ 154	Vierkante curve		
155 ⇔ 159	I Vierkante curve		
160 ⇔ 164	Scurve		
165 ⇔ 169	Witmodus ingeschakeld		
170 ⇔ 174	Witmodus uitgeschakeld		
145 ⇔ 255	Geen functie		
<b>23</b>	<b>Rood (Cyaan)</b>	000 ⇔ 255	0-100%
<b>24</b>	<b>Groen (Magenta)</b>	000 ⇔ 255	0-100%
<b>25</b>	<b>Blauw (Geel)</b>	000 ⇔ 255	0-100%
<b>26</b>	<b>Wit</b>	000 ⇔ 255	0-100%
<b>27</b>	<b>Rood 1 (Cyaan)</b>	000 ⇔ 255	0-100%
<b>28</b>	<b>Groen 1 (Magenta)</b>	000 ⇔ 255	0-100%
<b>29</b>	<b>Blauw 1 (Geel)</b>	000 ⇔ 255	0-100%
<b>30</b>	<b>Wit 1</b>	000 ⇔ 255	0-100%
<b>31</b>	<b>Rood 2 (Cyaan)</b>	000 ⇔ 255	0-100%
<b>32</b>	<b>Groen 2 (Magenta)</b>	000 ⇔ 255	0-100%
<b>33</b>	<b>Blauw 2 (Geel)</b>	000 ⇔ 255	0-100%
<b>34</b>	<b>Wit 2</b>	000 ⇔ 255	0-100%
<b>35</b>	<b>Rood 3 (Cyaan)</b>	000 ⇔ 255	0-100%
<b>36</b>	<b>Groen 3 (Magenta)</b>	000 ⇔ 255	0-100%
<b>37</b>	<b>Blauw 3 (Geel)</b>	000 ⇔ 255	0-100%
<b>38</b>	<b>Wit 3</b>	000 ⇔ 255	0-100%
<b>39</b>	<b>Rood 4 (Cyaan)</b>	000 ⇔ 255	0-100%
<b>40</b>	<b>Groen 4 (Magenta)</b>	000 ⇔ 255	0-100%
<b>41</b>	<b>Blauw 4 (Geel)</b>	000 ⇔ 255	0-100%
<b>42</b>	<b>Wit 4</b>	000 ⇔ 255	0-100%
<b>43</b>	<b>Rood 5 (Cyaan)</b>	000 ⇔ 255	0-100%
<b>44</b>	<b>Groen 5 (Magenta)</b>	000 ⇔ 255	0-100%
<b>45</b>	<b>Blauw 5 (Geel)</b>	000 ⇔ 255	0-100%
<b>46</b>	<b>Wit 5</b>	000 ⇔ 255	0-100%
<b>47</b>	<b>Rood 6 (Cyaan)</b>	000 ⇔ 255	0-100%

NL

Kanaal	Functie	Waarde	Percentage/instelling
48	Groen 6 (Magenta)	000 ⇔ 255	0-100%
49	Blauw 6 (Geel)	000 ⇔ 255	0-100%
50	Wit 6	000 ⇔ 255	0-100%
51	Rood 7 (Cyaan)	000 ⇔ 255	0-100%
52	Groen 7 (Magenta)	000 ⇔ 255	0-100%
53	Blauw 7 (Geel)	000 ⇔ 255	0-100%
54	Wit 7	000 ⇔ 255	0-100%
55	Rood 8 (Cyaan)	000 ⇔ 255	0-100%
56	Groen 8 (Magenta)	000 ⇔ 255	0-100%
57	Blauw 8 (Geel)	000 ⇔ 255	0-100%
58	Wit 8	000 ⇔ 255	0-100%
59	Rood 9 (Cyaan)	000 ⇔ 255	0-100%
60	Groen 9 (Magenta)	000 ⇔ 255	0-100%
61	Blauw 9 (Geel)	000 ⇔ 255	0-100%
62	Wit 9	000 ⇔ 255	0-100%

## 21CH

Kanaal	Functie	Waarde	Percentage/instelling
1	Zwenken	000 ⇔ 255	0-100%
2	Fijn zwenken	000 ⇔ 255	Fijne regeling (16-bit)
3	Kantelen	000 ⇔ 255	0-100%
4	Fijn kantelen	000 ⇔ 255	Fijne regeling (16-bit)
5	Zwenk-/kantelsnelheid	000 ⇔ 255	0-100%
6	Dimmer	000 ⇔ 255	0-100%
7	Sluiter	000 ⇔ 019	Gesloten
		020 ⇔ 024	Open
		025 ⇔ 064	Snel tot langzaam
		065 ⇔ 069	Open
		070 ⇔ 084	Snel aan/afloop uit
		085 ⇔ 089	Open
		090 ⇔ 104	Afloop uit/snel aan
		105 ⇔ 109	Open
		110 ⇔ 124	Willekeurig
		125 ⇔ 129	Open
		130 ⇔ 144	Willekeurig snel/afloop uit
		145 ⇔ 149	Open
		150 ⇔ 164	Willekeurig langzaam aan/snel uit
		165 ⇔ 169	Open
		170 ⇔ 184	Puls
		185 ⇔ 189	Open
190 ⇔ 204	Willekeurige puls		
205 ⇔ 209	Open		
210 ⇔ 224	Fade aan/uit		
225 ⇔ 229	Open		
230 ⇔ 244	Puls		
245 ⇔ 255	Open		
8	CTC	000	Geen functie
		001 ⇔ 255	2800 to 10000K

Kanaal	Functie	Waarde	Percentage/instelling					
<b>9</b>	<b>Kleur</b>	000	Geen functie					
		001 ⇔ 002	2700K	R:156	G: 118	B: 0	W: 63	
		003 ⇔ 004	3200K	R:156	G: 141	B: 5	W: 89	
		005 ⇔ 006	4200K	R:156	G: 141	B: 14	W: 255	
		007 ⇔ 008	5600K	R:156	G: 207	B: 54	W: 255	
		009 ⇔ 010	8000K	R:130	G: 255	B: 96	W: 255	
		11	Azul	R: 0	G: 0	B: 255	W: 0	
		012 ⇔ 048		R: 0	G: +	B: 255	W: 0	
		049	Cian	R: 0	G: 255	B: 255	W: 0	
		050 ⇔ 086		R: 0	G: 255	B: -	W: 0	
		087	Verde	R: 0	G: 255	B: 0	W: 0	
		088 ⇔ 124		R: +	G: 255	B: 0	W: 0	
		125	Amarillo	R: 255	G: 255	B: 0	W: 0	
		126 ⇔ 162		R: 255	G: -	B: 0	W: 0	
		163	Rojó	R: 255	G: 0	B: 0	W: 0	
		164 ⇔ 200		R: 255	G: 0	B: +	W: 0	
		201	Magenta	R: 255	G: 0	B: 255	W: 0	
		202 ⇔ 238		R: -	G: 0	B: 255	W: 0	
		239	Azul	R: 0	G: 0	B: 255	W: 0	
		240 ⇔ 247	Kleur veranderen, snel naar langzaam					
		248 ⇔ 255	Kleur jump, snel naar langzaam					
		<b>10</b>	<b>Gobo</b>	000 ⇔ 003	Geen functie			
				004 ⇔ 006	Gobo 1			
				007 ⇔ 009	Gobo 2			
				010 ⇔ 012	Gobo 3			
				013 ⇔ 015	Gobo 4			
016 ⇔ 018	Gobo 5							
019 ⇔ 021	Gobo 6							
022 ⇔ 024	Gobo 7							
025 ⇔ 027	Gobo 8							
028 ⇔ 030	Gobo 9							
031 ⇔ 033	Geen Gobo							
034 ⇔ 036	Gobo 10							
037 ⇔ 039	Gobo 11							
040 ⇔ 042	Gobo 12							
043 ⇔ 045	Gobo 13							
046 ⇔ 048	Gobo 14							
049 ⇔ 051	Gobo 15							
052 ⇔ 054	Gobo 16							
055 ⇔ 057	Gobo 17							
058 ⇔ 060	Gobo 18							
061 ⇔ 063	Gobo 19							
064 ⇔ 066	Gobo 20							
067 ⇔ 069	Gobo 21							
070 ⇔ 072	Gobo 22							
073 ⇔ 075	Gobo 23							
076 ⇔ 078	Gobo 24							
079 ⇔ 081	Gobo 25							
082 ⇔ 084	Gobo 26							
085 ⇔ 087	Gobo 27							
088 ⇔ 090	Gobo 28							
091 ⇔ 093	Gobo 29							
094 ⇔ 096	Gobo 30							
097 ⇔ 099	Gobo 31							
100 ⇔ 102	Gobo 32							
103 ⇔ 105	Gobo 33							
106 ⇔ 108	Gobo 34							
109 ⇔ 111	Gobo 35							
112 ⇔ 114	Gobo 36							
115 ⇔ 117	Gobo 37							
118 ⇔ 120	Gobo 38							
121 ⇔ 123	Gobo 39							
124 ⇔ 126	Gobo 40							
127 ⇔ 129	Gobo 41							
130 ⇔ 132	Gobo 42							

Kanaal	Functie	Waarde	Percentage/instelling
<b>10</b> (vervolg)	<b>Gobo</b> (vervolg)	133 ⇄ 135	Gobo 43
		136 ⇄ 138	Gobo 44
		139 ⇄ 141	Gobo 45
		142 ⇄ 144	Gobo 46
		145 ⇄ 147	Gobo 47
		148 ⇄ 150	Gobo 48
		151 ⇄ 153	Gobo 49
		154 ⇄ 156	Gobo 50
		157 ⇄ 159	Gobo 51
		160 ⇄ 162	Gobo 52
		163 ⇄ 165	Gobo 53
		166 ⇄ 168	Gobo 54
		169 ⇄ 171	Gobo 55
		172 ⇄ 174	Gobo 56
		175 ⇄ 177	Gobo 57
		178 ⇄ 180	Gobo 58
		181 ⇄ 183	Gobo 59
		184 ⇄ 186	Gobo 60
		187 ⇄ 189	Gobo 61
		190 ⇄ 192	Gobo 62
		193 ⇄ 195	Gobo 63
		196 ⇄ 198	Gobo 64
		199 ⇄ 201	Gobo 65
		202 ⇄ 204	Gobo 66
		205 ⇄ 207	Gobo 67
		208 ⇄ 210	Gobo 68
		211 ⇄ 213	Gobo 69
		214 ⇄ 216	Gobo 70
		217 ⇄ 219	Gobo 71
		220 ⇄ 222	Gobo 72
		223 ⇄ 225	Gobo 73
		226 ⇄ 228	Gobo 74
		229 ⇄ 231	Gobo 75
		232 ⇄ 234	Gobo 76
235 ⇄ 237	Gobo 77		
238 ⇄ 240	Gobo 78		
241 ⇄ 243	Gobo 79		
244 ⇄ 246	Gobo 80		
247 ⇄ 249	Gobo 81		
250 ⇄ 252	Gobo 82		
253 ⇄ 255	Gobo 83		
<b>11</b>	<b>LED Ingebouwde</b>	001 ⇄ 015	Geen functie
		016 ⇄ 017	Ingebouwde 1
		018 ⇄ 019	Ingebouwde 2
		020 ⇄ 021	Ingebouwde 3
		022 ⇄ 023	Ingebouwde 4
		024 ⇄ 025	Ingebouwde 5
		026 ⇄ 027	Ingebouwde 6
		028 ⇄ 029	Ingebouwde 7
		030 ⇄ 031	Ingebouwde 8
		032 ⇄ 033	Ingebouwde 9
		034 ⇄ 035	Ingebouwde 10
		036 ⇄ 037	Ingebouwde 11
		038 ⇄ 039	Ingebouwde 12
		040 ⇄ 041	Ingebouwde 13
		042 ⇄ 043	Ingebouwde 14
		044 ⇄ 045	Ingebouwde 15
		046 ⇄ 047	Ingebouwde 16
		048 ⇄ 049	Ingebouwde 17
		050 ⇄ 051	Ingebouwde 18
052 ⇄ 053	Ingebouwde 19		
054 ⇄ 055	Ingebouwde 20		
056 ⇄ 057	Ingebouwde 21		
058 ⇄ 059	Ingebouwde 22		

Kanaal	Functie	Waarde	Percentage/instelling
<b>11 (vervolg)</b>	<b>LED Ingebouwde (vervolg)</b>	060 ⇔ 061	Ingebouwde 23
		062 ⇔ 063	Ingebouwde 24
		064 ⇔ 065	Ingebouwde 25
		066 ⇔ 067	Ingebouwde 26
		068 ⇔ 069	Ingebouwde 27
		070 ⇔ 071	Ingebouwde 28
		072 ⇔ 073	Ingebouwde 29
		074 ⇔ 075	Ingebouwde 30
		076 ⇔ 077	Ingebouwde 31
		078 ⇔ 079	Ingebouwde 32
		080 ⇔ 081	Ingebouwde 33
		082 ⇔ 083	Ingebouwde 34
		084 ⇔ 085	Ingebouwde 35
		086 ⇔ 087	Ingebouwde 36
		088 ⇔ 089	Ingebouwde 37
		090 ⇔ 091	Ingebouwde 38
		092 ⇔ 093	Ingebouwde 39
		094 ⇔ 095	Ingebouwde 40
		096 ⇔ 097	Ingebouwde 41
		098 ⇔ 099	Ingebouwde 42
		100 ⇔ 101	Ingebouwde 43
		102 ⇔ 103	Ingebouwde 44
		104 ⇔ 105	Ingebouwde 45
		106 ⇔ 107	Ingebouwde 46
		108 ⇔ 109	Ingebouwde 47
		110 ⇔ 111	Ingebouwde 48
		112 ⇔ 113	Ingebouwde 49
		114 ⇔ 115	Ingebouwde 50
		116 ⇔ 117	Ingebouwde 51
		118 ⇔ 119	Ingebouwde 52
		120 ⇔ 121	Ingebouwde 53
		122 ⇔ 123	Ingebouwde 54
		124 ⇔ 125	Ingebouwde 55
		126 ⇔ 127	Ingebouwde 56
		128 ⇔ 135	Ingebouwde 57
		136 ⇔ 137	Ingebouwde 58
138 ⇔ 139	Ingebouwde 59		
140 ⇔ 141	Ingebouwde 60		
142 ⇔ 143	Ingebouwde 61		
144 ⇔ 145	Ingebouwde 62		
146 ⇔ 147	Ingebouwde 63		
148 ⇔ 149	Ingebouwde 64		
150 ⇔ 151	Ingebouwde 65		
152 ⇔ 153	Ingebouwde 66		
154 ⇔ 155	Ingebouwde 67		
156 ⇔ 157	Ingebouwde 68		
158 ⇔ 159	Ingebouwde 69		
160 ⇔ 161	Ingebouwde 70		
162 ⇔ 163	Ingebouwde 71		
164 ⇔ 165	Ingebouwde 72		
166 ⇔ 167	Ingebouwde 73		
168 ⇔ 169	Ingebouwde 74		
170 ⇔ 171	Ingebouwde 75		
172 ⇔ 173	Ingebouwde 76		
174 ⇔ 175	Ingebouwde 77		
176 ⇔ 177	Ingebouwde 78		
178 ⇔ 179	Ingebouwde 79		
180 ⇔ 181	Ingebouwde 80		
182 ⇔ 183	Ingebouwde 81		
184 ⇔ 185	Ingebouwde 82		
186 ⇔ 187	Ingebouwde 83		
188 ⇔ 189	Ingebouwde 84		
190 ⇔ 191	Ingebouwde 85		

Kanaal	Functie	Waarde	Percentage/instelling
11 (vervolg)	LED Ingebouwde (vervolg)	192 ⇔ 193	Ingebouwde 86
		194 ⇔ 195	Ingebouwde 87
		196 ⇔ 197	Ingebouwde 88
		198 ⇔ 199	Ingebouwde 89
		200 ⇔ 201	Ingebouwde 90
		202 ⇔ 203	Ingebouwde 91
		204 ⇔ 205	Ingebouwde 92
		206 ⇔ 207	Ingebouwde 93
		208 ⇔ 209	Ingebouwde 94
		210 ⇔ 211	Ingebouwde 95
		212 ⇔ 213	Ingebouwde 96
		214 ⇔ 215	Ingebouwde 97
		216 ⇔ 217	Ingebouwde 98
		218 ⇔ 219	Ingebouwde 99
		220 ⇔ 221	Ingebouwde 100
		222 ⇔ 223	Ingebouwde 101
		224 ⇔ 225	Ingebouwde 102
		226 ⇔ 227	Ingebouwde 103
		228 ⇔ 229	Ingebouwde 104
		230 ⇔ 231	Ingebouwde 105
		232 ⇔ 233	Ingebouwde 106
		234 ⇔ 235	Ingebouwde 107
		236 ⇔ 237	Ingebouwde 108
		238 ⇔ 239	Ingebouwde 109
		240 ⇔ 241	Ingebouwde 110
		242 ⇔ 243	Ingebouwde 111
		244 ⇔ 245	Ingebouwde 112
		246 ⇔ 247	Ingebouwde 113
248 ⇔ 255	Ingebouwde 114		
12	LED Ingebouwde snelheid	001 ⇔ 127	Roteren met de klok mee, langzaam tot snel
		128	Stop
		129 ⇔ 255	Tegen de klok in roteren, snel tot langzaam
13	LED Ingebouwde vertraging	000 ⇔ 255	Langzaam tot snel
14	Achtergrondkleur macro	000	Geen functie
		001 ⇔ 002	2700K R:156 G: 118 B: 0 W: 63
		003 ⇔ 004	3200K R:156 G: 141 B: 5 W: 89
		005 ⇔ 006	4200K R:156 G: 141 B: 14 W: 255
		007 ⇔ 008	5600K R:156 G: 207 B: 54 W: 255
		009 ⇔ 010	8000K R:130 G: 255 B: 96 W: 255
		11	Azul R: 0 G: 0 B: 255 W: 0
		012 ⇔ 048	R: 0 G: + B: 255 W: 0
		049	Cian R: 0 G: 255 B: 255 W: 0
		050 ⇔ 086	R: 0 G: 255 B: - W: 0
		087	Verde R: 0 G: 255 B: 0 W: 0
		088 ⇔ 124	R: + G: 255 B: 0 W: 0
		125	Amarillo R: 255 G: 255 B: 0 W: 0
		126 ⇔ 162	R: 255 G: - B: 0 W: 0
		163	Rojo R: 255 G: 0 B: 0 W: 0
		164 ⇔ 200	R: 255 G: 0 B: + W: 0
		201	Magenta R: 255 G: 0 B: 255 W: 0
		202 ⇔ 238	R: - G: 0 B: 255 W: 0
		239	Azul R: 0 G: 0 B: 255 W: 0
		240 ⇔ 247	Kleur veranderen, snel naar langzaam
248 ⇔ 255	Kleur jump, snel naar langzaam		
15	Achtergrondkleur Dimmer	000 ⇔ 255	0-100%
16	Zoom	000 ⇔ 255	0-100%

Kanaal	Functie	Waarde	Percentage/instelling
<b>17</b>	<b>Regeling</b>	001 ⇔ 009	Geen functie
		010 ⇔ 014	Verduisteren tijdens zwenken/kantelen
		015 ⇔ 019	Geen functie
		020 ⇔ 024	RGBW het mengen van kleuren (5 sec.)
		025 ⇔ 029	CMY het mengen van kleuren (5 sec.)
		030 ⇔ 034	Geen functie
		035 ⇔ 039	Geen functie
		040 ⇔ 044	Geen functie
		045 ⇔ 049	Geen functie
		050 ⇔ 054	Kantelreset (5 s activeringsvertraging)
		055 ⇔ 059	Zwenkreset (5 s activeringsvertraging)
		060 ⇔ 064	Zoomreset (5 s activeringsvertraging)
		065 ⇔ 069	Geen functie
		070 ⇔ 074	Alles resetten (5 s activeringsvertraging)
		075 ⇔ 079	Geen functie
		080 ⇔ 084	Zwenk/kantelbeweging omdraaien (5 s activeringsvertraging)
		085 ⇔ 089	Zwenkbeweging omdraaien (5 s activeringsvertraging)
		090 ⇔ 094	Kantelbeweging omdraaien (5 s activeringsvertraging)
		095 ⇔ 099	Uitschakelen zwenkbeweging omdraaien (5 s activeringsvertraging)
		100 ⇔ 104	Uitschakelen kantelbeweging omdraaien (5 s activeringsvertraging)
		105 ⇔ 109	Uitschakelen zwenk/kantelbeweging omdraaien (5 s activeringsvertraging)
		110 ⇔ 114	Geen functie
		115 ⇔ 119	Geen functie
		120 ⇔ 124	Zuinige ventilator (5 s activeringsvertraging)
		125 ⇔ 129	Volledige ventilator (5 s activeringsvertraging)
		130 ⇔ 134	Automatische ventilator (5 s activeringsvertraging)
		135 ⇔ 139	Snelle dimmercurve (5 s activeringsvertraging)
		140 ⇔ 144	Gladde dimmercurve (5 s activeringsvertraging)
		145 ⇔ 149	Lineaire curve
		150 ⇔ 154	Vierkante curve
155 ⇔ 159	I Vierkante curve		
160 ⇔ 164	Scurve		
165 ⇔ 169	Witmodus ingeschakeld		
170 ⇔ 174	Witmodus uitgeschakeld		
145 ⇔ 255	Geen functie		
<b>18</b>	<b>Rood (Cyaan)</b>	000 ⇔ 255	0-100%
<b>19</b>	<b>Groen (Magenta)</b>	000 ⇔ 255	0-100%
<b>20</b>	<b>Blauw (Geel)</b>	000 ⇔ 255	0-100%
<b>21</b>	<b>Wit</b>	000 ⇔ 255	0-100%

Contact Us

General Information	Technical Support
<b>Chauvet World Headquarters</b>	
Address: 5200 NW 108th Ave. Sunrise, FL 33351 Voice: (954) 577-4455 Fax: (954) 929-5560 Toll Free: (800) 762-1084	Voice: (844) 393-7575 Fax: (954) 756-8015 Email: <a href="mailto:chauvetcs@chauvetlighting.com">chauvetcs@chauvetlighting.com</a> Website: <a href="http://www.chauvetprofessional.com">www.chauvetprofessional.com</a>
<b>Chauvet Europe Ltd.</b>	
Address: Unit 1C Brookhill Road Industrial Estate Pinxton, Nottingham, UK NG16 6NT Voice: +44 (0) 1773 511115 Fax: +44 (0) 1773 511110	Email: <a href="mailto:UKtech@chauvetlighting.eu">UKtech@chauvetlighting.eu</a> Website: <a href="http://www.chauvetprofessional.eu">www.chauvetprofessional.eu</a>
<b>Chauvet Europe BVBA</b>	
Address: Stokstraat 18 9770 Kruishoutem Belgium Voice: +32 9 388 93 97	Email: <a href="mailto:BNLtech@chauvetlighting.eu">BNLtech@chauvetlighting.eu</a> Website: <a href="http://www.chauvetprofessional.eu">www.chauvetprofessional.eu</a>
<b>Chauvet France</b>	
Address: 3, Rue Ampère 91380 Chilly-Mazarin France Voice: +33 1 78 85 33 59	Email: <a href="mailto:FRtech@chauvetlighting.fr">FRtech@chauvetlighting.fr</a> Website: <a href="http://www.chauvetprofessional.eu">www.chauvetprofessional.eu</a>
<b>Chauvet Germany</b>	
Address: Bruno-Bürgel-Str. 11 28759 Bremen Germany Voice: +49 421 62 60 20	Email: <a href="mailto:DEtech@chauvetlighting.de">DEtech@chauvetlighting.de</a> Website: <a href="http://www.chauvetprofessional.eu">www.chauvetprofessional.eu</a>
<b>Chauvet Mexico</b>	
Address: Av. de las Partidas 34 - 3B (Entrance by Calle 2) Zona Industrial Lerma Lerma, Edo. de México, CP 52000 Voice: +52 (728) 690-2010	Email: <a href="mailto:servicio@chauvet.com.mx">servicio@chauvet.com.mx</a> Website: <a href="http://www.chauvetprofessional.mx">www.chauvetprofessional.mx</a>

Visit the applicable website above to verify our contact information and instructions to request support. Outside the U.S., U.K., Ireland, Mexico, France, Germany, or Benelux, contact the dealer of record.



UL 1573  
CSA C22.2 No. 166  
E113093



RoHS

