

ROGUE



Model ID: ROGUEOUTCAST1LBEAM

Edition Notes

The Rogue Outcast 1L Beam User Manual includes a description, safety precautions, installation, programming, operation, and maintenance instructions for the Rogue Outcast 1L Beam.

Trademarks

CHAUVET, the Chauvet logo, and Rogue Outcast 1L Beam are registered trademarks or trademarks of Chauvet & Sons, LLC (d/b/a Chauvet and Chauvet Lighting) in the United States and other countries. Other company and product names and logos referred to herein may be trademarks of their respective companies.

Copyright Notice

The works of authorship contained in this manual, including, but not limited to, all designs, texts, and images are owned by Chauvet.

© **Copyright 2022 Chauvet & Sons, LLC. All rights reserved.**

Electronically published by Chauvet in the United States of America.

Manual Use

Chauvet authorizes its customers to download and print this manual for professional information purposes only. Chauvet expressly prohibits the usage, copy, storage, distribution, modification, or printing of this manual or its content for any other purpose without written consent from Chauvet.

Document Printing

For best results, print this document in color, on letter size paper (8.5 x 11 in), double-sided. If using A4 paper (210 x 297 mm), configure the printer to scale the content accordingly.

Intended Audience

Any person installing, operating, and/or maintaining this product should completely read through the guide that shipped with the product, as well as this manual, before installing, operating, or maintaining this product.

Disclaimer

Chauvet believes that the information contained in this manual is accurate in all respects. However, Chauvet assumes no responsibility and specifically disclaims any and all liability to any party for any loss, damage or disruption caused by any errors or omissions in this document, whether such errors or omissions result from negligence, accident or any other cause. Chauvet reserves the right to revise the content of this document without any obligation to notify any person or company of such revision, however, Chauvet has no obligation to make, and does not commit to make, any such revisions. Download the latest version from www.chauvetprofessional.com

Document Revision

This Rogue Outcast 1L Beam User Manual is the 1st edition of this document. Go to www.chauvetprofessional.com for the latest version.

TABLE OF CONTENTS

1. Before You Begin	3
What Is Included	3
Claims	3
Manual Conventions	3
Symbols	3
Safety Notes.....	4
Personal Safety.....	4
Mounting and Rigging	4
Power and Wiring.....	4
Operation	4
Expected LED Lifespan.....	4
2. Introduction	5
Description	5
Features.....	5
Product Overview.....	5
Product Dimensions.....	6
3. Setup	7
AC Power.....	7
AC Plug.....	7
Fuse Replacement.....	7
DMX Linking.....	7
DMX Personalities.....	7
Remote Device Management (RDM).....	7
Gobo Wheel	8
Color Wheel	8
Mounting	9
Orientation.....	9
Rigging	9
Procedure.....	9
4. Operation	10
Control Panel Operation.....	10
Programming.....	10
Control Panel Lock.....	10
Menu Map	11
DMX Values	13
Address	16
Run Mode.....	16
DMX Personality	16
Auto Test.....	16
Manual Test	16
Setup.....	16
Pan Reverse	16
Tilt Reverse	16
Screen Reverse	16
Pan Angle.....	17
Tilt Angle	17
BL.O. P/T Move.....	17
BL.O. Color Move.....	17
BL.O. Gobo Move	17

Backlight Timer	17
Pulse Width Modulation	17
Fan Mode	17
USB Update	17
Reset Function	17
Factory Reset Function	18
System Information	18
Offset Mode.....	19
5. Technical Information	20
Product Maintenance	20
6. Technical Specifications	21
Returns	22
Contact Us	23

1. Before You Begin

What Is Included

- Rogue Outcast 1L Beam
- Seetronic Powerkon IP65 power cord
- 2 Omega brackets with mounting hardware
- Quick Reference Guide

Claims

Carefully unpack the product immediately and check the container to make sure all the parts are in the package and are in good condition.






If the box or the contents (the product and included accessories) appear damaged from shipping, or show signs of mishandling, notify the carrier immediately, not Chauvet. Failure to report damage to the carrier immediately may invalidate your claim. In addition, keep the box and contents for inspection.

For other issues, such as missing components or parts, damage not related to shipping, or concealed damage, file a claim with Chauvet within 7 days of delivery.

Manual Conventions

Convention	Meaning
1–512	A range of values
50/60	A set of values of which only one can be chosen
<SET>	A button on the product's control panel
Settings	A product function or a menu option

Symbols

Symbol	Meaning
	Electrical warning. Not following these instructions may cause electrical damage to the product, accessories, or the user.
	Critical installation, configuration, or operation information. Not following these instructions may make the product not work, cause damage to the product, or cause harm to the operator.
	Important installation or configuration information. The product may not function correctly if this information is not used.
	Useful information.
	The term “DMX” used throughout this manual refers to the USITT DMX512-A digital data transmission protocol.

Safety Notes

Read all the following safety notes before working with this product. These notes contain important information about the installation, usage, and maintenance of this product.



This product contains no user-serviceable parts. Any reference to servicing in this User Manual will only apply to properly trained, certified technicians. Do not open the housing or attempt any repairs.



All applicable local codes and regulations apply to proper installation of this product.

Personal Safety

- Avoid direct eye exposure to the light source while the product is on.
- Always disconnect the product from the power source before cleaning or replacing the fuse.
- Always connect the product to a grounded circuit to avoid the risk of electrocution.
- Do not touch the product's housing when operating because it may be very hot.

Mounting and Rigging

- This product is intended for professional use only.
- This product is not intended for permanent outdoor installation.
- Do not submerge this product (IP65). Regular outdoor operation is fine.
- CAUTION: When transferring product from extreme temperature environments, (e.g., cold truck to warm, humid ballroom) condensation may form on the internal electronics of the product. To avoid causing a failure, allow product to fully acclimate to the surrounding environment before connecting it to power.
- Always ask for help when mounting this product to avoid personal injuries or damage to the product
- Mount this product in a location with adequate ventilation, at least 20 in (50 cm) from adjacent surfaces.
- Make sure there are no flammable materials close to the product when operating.
- When hanging this product, always secure to a fastening device using a safety cable.

Power and Wiring

- Make sure the power cord is not crimped or damaged.
- Always make sure you are connecting the product to the proper voltage in accordance with the specifications in this manual or on the product's specification label.
- To eliminate unnecessary wear and improve its lifespan, during periods of non-use completely disconnect the product from power via breaker or by unplugging it.
- Never connect the product to a dimmer pack or rheostat.
- Never disconnect this product by pulling or tugging on the power cable.

Operation

- Do not operate this product if there is damage on the housing, lenses, or cables. Have the damaged parts replaced by an authorized technician at once.
- To eliminate unnecessary wear and improve its lifespan, during periods of non-use completely disconnect the product from power via breaker or by unplugging it.
- Do not cover the ventilation slots when operating to avoid internal overheating.
- Do not aim this product toward the sun. The lenses could concentrate the solar energy and cause internal overheating.
- The maximum ambient temperature is 113 °F (45 °C). Do not operate the product at higher temperatures.
- In the event of a serious operation problem, stop using this product immediately!



If your Chauvet product requires service, contact Chauvet Technical Support.

Expected LED Lifespan

LEDs gradually decline in brightness over time, primarily because of heat. LEDs that are arranged in clusters experience higher operating temperatures than single LEDs. For this reason, operating clustered LEDs at their fullest intensity significantly reduces the LEDs' lifespan. Under normal conditions, this lifespan is 40,000 to 50,000 hours. If extending this lifespan is vital, lower the operating temperature by improving the ventilation around the product, thus reducing the ambient temperature. In addition, limiting the overall projection intensity may extend the LEDs' lifespan.

2. Introduction

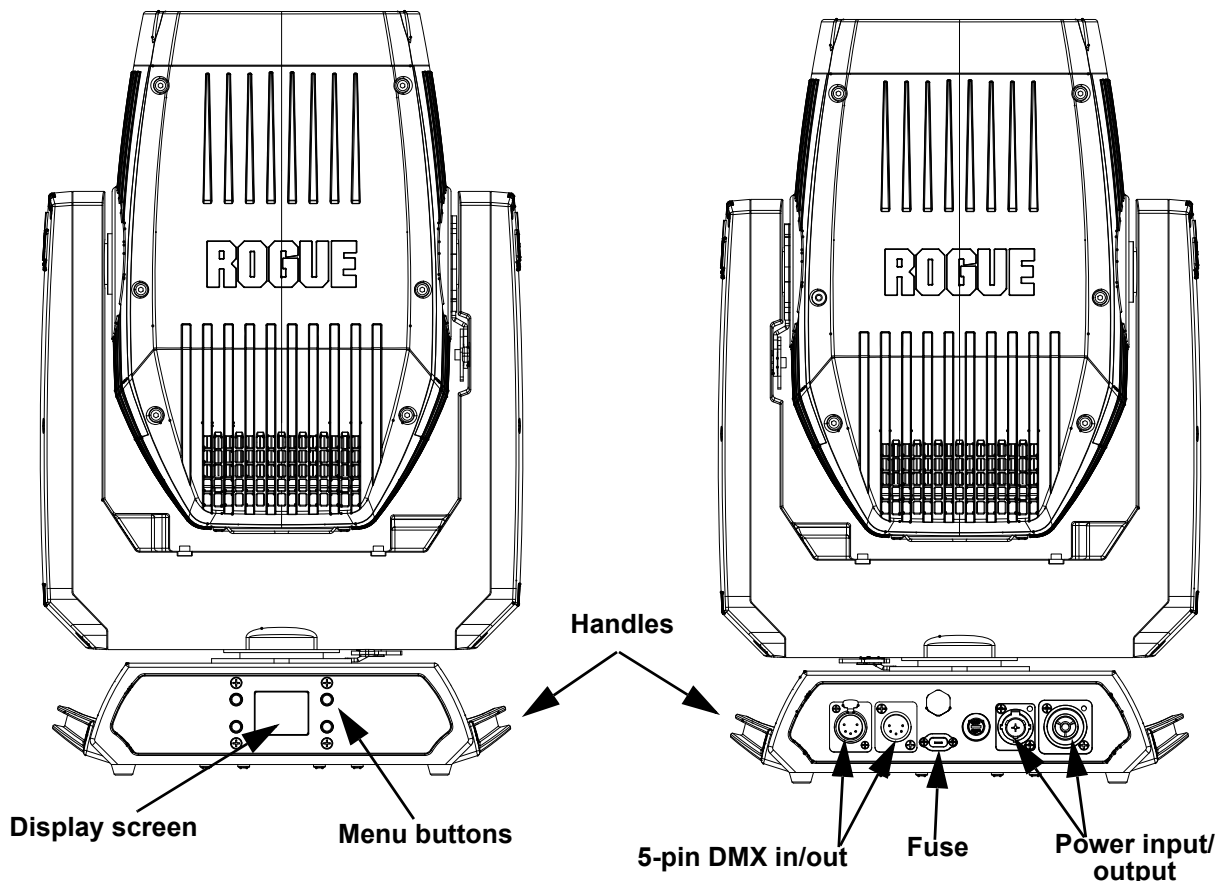
Description

The Rogue Outcast 1L Beam is an IP65 moving head that outputs an intensely bright 140 W beam with 14-position, individually controllable color wheel for solid and split hues. The outdoor-ready unit raises the bar in dynamic effect options with its ability to focus down to a pencil-thin 1.4° beam for tight aerials, overlapping 8- and 5-facet prisms, frost for even light distribution, and 14 rotating and static gobos for even more creative options. Control is over DMX and RDM.

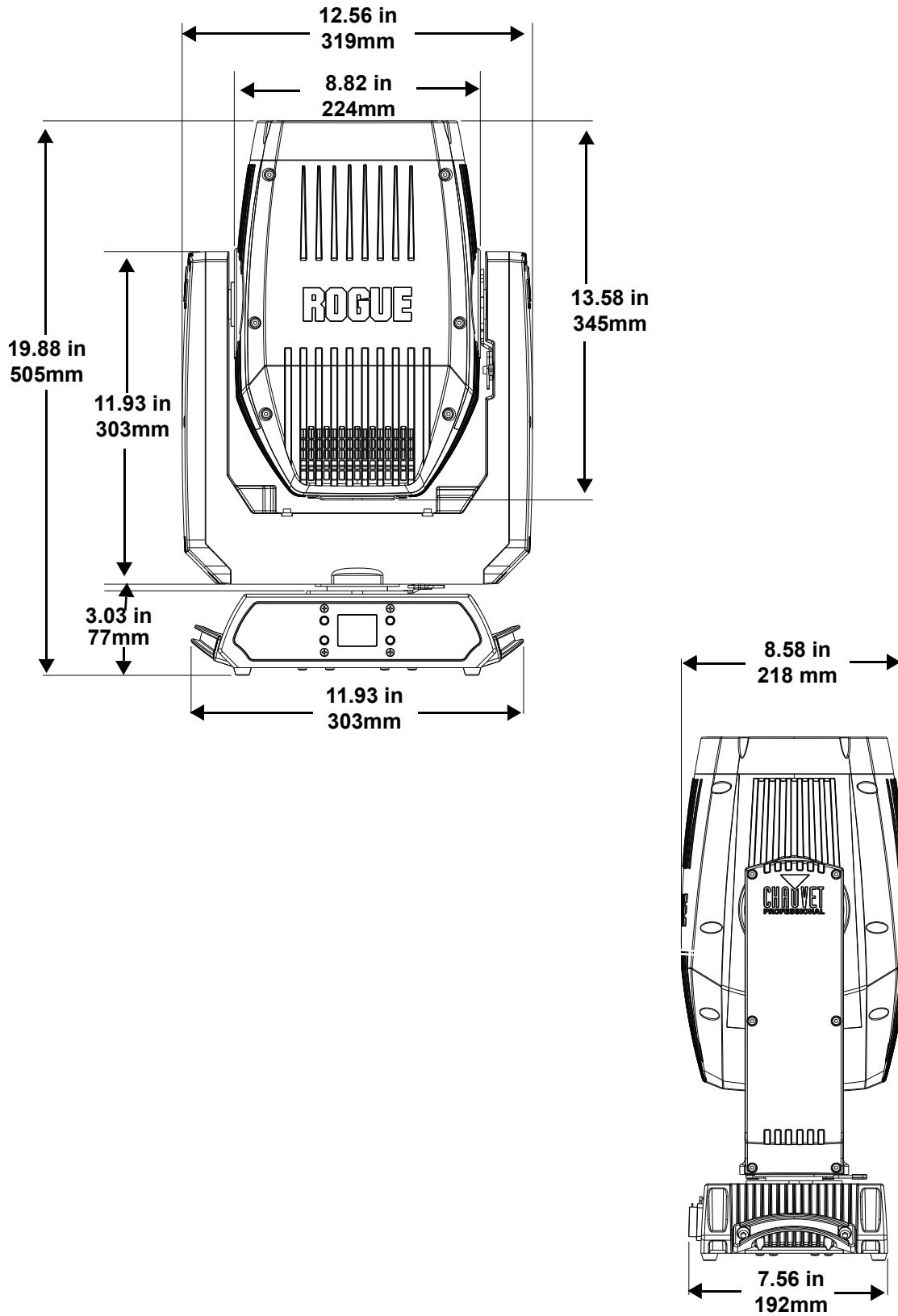
Features

- Fully featured, high powered IP65 rated LED beam fixture with a single color wheel, single gobo wheel with rotating and static gobos, and layerable prisms in a lightweight and durable aluminum / magnesium casing.
- Fast and precise movement of pan and tilt functions.
- Individually controllable and layerable 5- and 8-facet prisms.
- Frost for even light distribution.
- 5-pin DMX input/output connections.
- Tight 1.4° beam for extremely focused areal effects.
- RDM enabled for remote addressing and troubleshooting.
- 7 rotating and 7 static gobos on one wheel for dynamic gobo effects.
- Easy to read OLED display with simple, effective menu options.
- Simple and complex DMX channel profiles for programming versatility.
- USB-C port for uploading software.

Product Overview



Product Dimensions



3. Setup

AC Power

Each Rogue Outcast 1L Beam has an auto-ranging power supply that works with an input voltage range of 100 to 240 VAC, 50/60 Hz. To determine the power requirements for each Rogue Outcast 1L Beam, refer to the label affixed to the product. You can also refer to the [Technical Specifications](#) chart in this manual.

The listed current rating indicates the maximum current draw during normal operation. For more information, download Sizing Circuit Breakers from the Chauvet website: www.chauvetprofessional.com.



- **Always connect the product to a protected circuit (a circuit breaker or fuse). Make sure the product has an appropriate electrical ground to avoid the risk of electrocution or fire.**
- **To eliminate unnecessary wear and improve its lifespan, during periods of non-use completely disconnect the product from power via breaker or by unplugging it.**



Never connect the product to a rheostat (variable resistor) or dimmer circuit, even if the rheostat or dimmer channel serves only as a 0 to 100% switch.

AC Plug

The Rogue Outcast 1L Beam comes with a power input cord terminated with a Seetronic Powerkon IP65 connector on one end and an Edison plug on the other end (U.S. market). If the power input cord that came with the product has no plug, or if the plug needs to be changed, use the table below to wire the new plug.

Connection	Wire (U.S.)	Wire (Europe)	Screw Color
AC Live	Black	Brown	Yellow or Brass
AC Neutral	White	Blue	Silver
AC Ground	Green/Yellow	Green/Yellow	Green

Fuse Replacement

1. Disconnect this product from the power outlet.
2. Using a flat-head screwdriver, unscrew the fuse holder cap from the housing.
3. Remove the blown fuse and replace with another fuse of the same type and rating (T 5 A, 250 V).
4. Screw the fuse holder cap back in place and reconnect power.



Make sure to disconnect the product's power cord before replacing a blown fuse. Always replace the blown fuse with another of the same type and rating.

DMX Linking

The Rogue Outcast 1L Beam can be linked to a DMX controller using a 5-pin DMX connection. If using other DMX-compatible products with this product, each can be controlled individually with a single DMX controller.

DMX Personalities

The Rogue Outcast 1L Beam uses a 5-pin DMX data connection for the 17- and 19-channel DMX personalities.

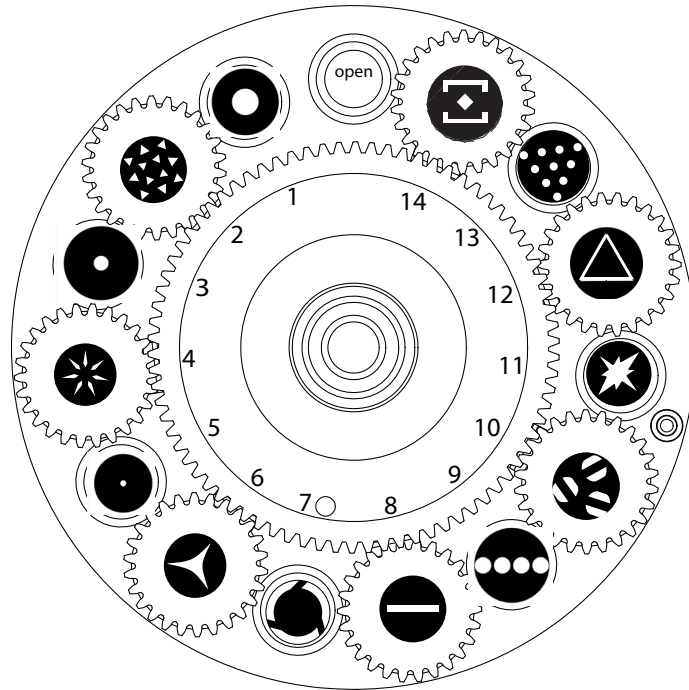
- Refer to the [Introduction](#) for a brief description of each DMX personality.
- Refer to the [Operation](#) chapter to learn how to configure the Rogue Outcast 1L Beam to work in these personalities.
- The [DMX Values](#) section provides detailed information regarding the DMX personalities.

Remote Device Management (RDM)

Remote Device Management, or RDM, is a standard for allowing DMX-enabled devices to communicate bi-directionally along existing DMX cabling. Check the DMX controller's User Manual or with the manufacturer, as not all DMX controllers have this capability. The Rogue Outcast 1L Beam supports RDM protocol that allows feedback to make changes to menu map options.

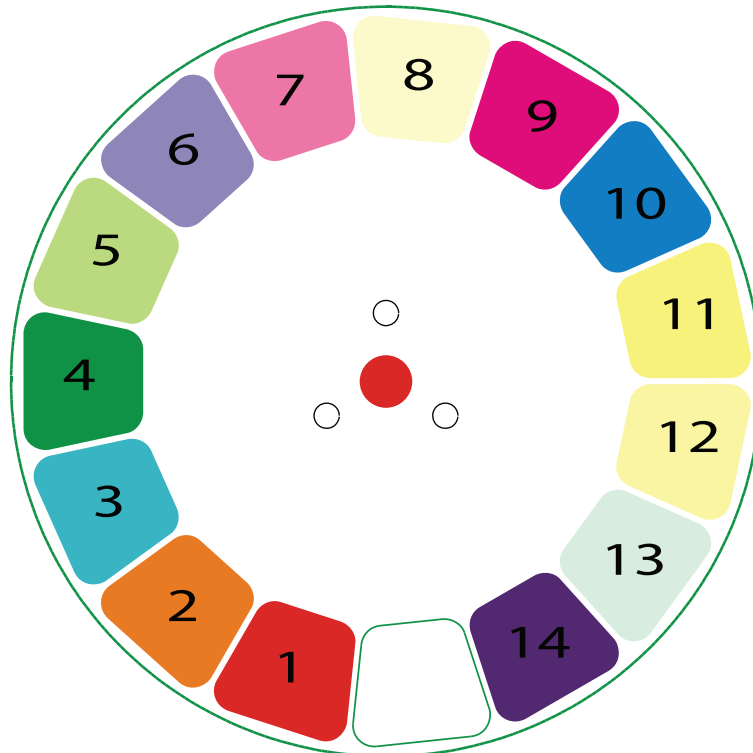
Gobo Wheel

The Rogue Outcast 1L Beam includes one gobo wheel with 14 fixed gobos plus open. The diagram shows the gobo number on the wheel as numbered in the [DMX Values](#) tables.



Color Wheel

The Rogue Outcast 1L Beam includes one color wheel with 14 fixed colors plus open (white), as indicated below. The diagram shows the color number on the wheel, as numbered in the [DMX Values](#) tables.



Mounting

Before mounting the product, read and follow the safety recommendations indicated in the [Safety Notes](#). For our CHAUVET Professional line of mounting clamps, go to <http://trusst.com/products/>.

Orientation

Always mount this product in a safe position, making sure there is adequate room for ventilation, configuration, and maintenance.

Rigging

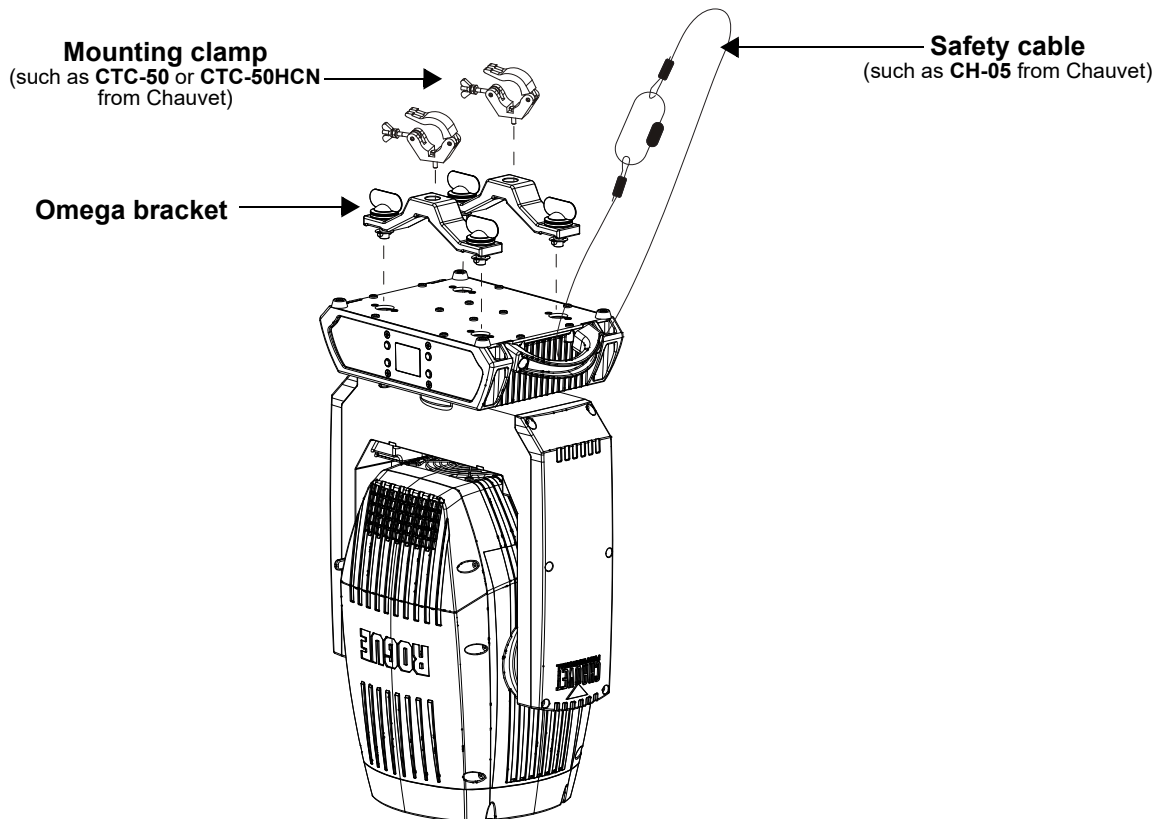
Chauvet recommends using the following general guidelines when mounting this product.

- Before deciding on a location for the product, make sure there is easy access to the product for maintenance and programming purposes.
- Make sure that the structure onto which you are mounting the product can support the product's weight. See the [Technical Specifications](#) for weight information.
- When mounting the product overhead, always use a safety cable. Mount the product securely to a rigging point, whether an elevated platform or a truss.
- When rigging the product onto a truss, use a mounting clamp of appropriate weight capacity.
- When power linking multiple products, mount the products close enough for power linking cables to reach.
- The bracket adjustment knobs allow for directional adjustment when aiming the product to the desired angle. Only loosen or tighten the bracket knobs manually. Using tools could damage the knobs.

Procedure

The Rogue Outcast 1L Beam comes with a double-bracketed yoke to which you can either attach mounting clamps (sold separately) for hanging or simply use as a floor stand. Make sure the clamps are capable of supporting the weight of this product. Use at least one mounting point per product. For the CHAUVET Professional line of mounting clamps, go to <http://www.trusst.com/products>.

Mounting Diagram



4. Operation

Control Panel Operation

Button	Function
<MENU>	Exits from the current menu or function
<ENTER>	Enables the currently displayed menu or sets the currently selected value in to the current function
<UP>	Navigates upward through the menu list or increases the numeric value when in a function
<DOWN>	Navigates downward through the menu list or decreases the numeric value when in a function

Programming

Refer to the Menu Map to understand the menu options. The menu map shows the main level and a variable number of programming levels for each option.

- To go to the desired main level, press <MENU> repeatedly until the option shows on the display. Press <ENTER> to select. This will take you to the first programming level for that option.
- To select an option or value within the current programming level, press <UP> or <DOWN> until the option shows on the display. Press <ENTER> to select. In this case, if there is another programming level, you will see that first option, or you will see the selected value.
- Press <MENU> repeatedly to exit to the previous main level.

Control Panel Lock

This setting enables you to activate or disable the control panel lock, which keeps unauthorized users from changing the product's settings.

1. Go to the **Key Lock** main level.
2. Select **ON** or **OFF**.



The product will prompt for a passcode to access the product's main programming level when the control panel lock is activated. Enter the following passcode: <UP>, <DOWN>, <UP>, <DOWN>, <ENTER>

Menu Map

Refer to the Rogue Outcast 1L Beam product page on www.chauvetprofessional.com for the latest menu map.

Main Level	Programming Levels		Description	
Address	001–512		Sets the starting address	
Run Mode	DMX	17CH	Selects the DMX personality	
		19CH		
	Auto Test		Auto test all functions	
	Manual Test	Pan	0–255	Manually control and test all settings through the control panel
		Pan Fine		
		Tilt		
		Tilt Fine		
		P/T Speed		
		Dimmer		
		Dimmer Fine		
		Shutter		
		Color		
		Gobo		
		Gobo Rotate		
		Prism1		
		Prism1 Rotate		
		Prism2		
		Prism2 Rotate		
		Frost		
Focus				
Fine focus				
Special Function				
Setup	Pan Reverse	ON	Reversed pan	
		OFF	Normal pan	
	Tilt Reverse	ON	Reversed tilt	
		OFF	Normal tilt	
	Screen Reverse	YES	Inverted screen display	
		NO	Normal screen display	
		AUTO	Automatic screen display	
	Pan Angle	540	540° pan range	
		360	360° pan range	
		180	180° pan range	
	Tilt Angle	270	270° tilt range	
		180	180° tilt range	
		90	90° tilt range	
	BL. O. P/T Move	YES	Blackout while panning/tilting	
		NO	Disable blackout while panning/tilting	
BL. O. Color Move	YES	Blackout while color wheel is moving		
	NO	Disable blackout while color wheel is moving		
BL. O. Gobo Move	YES	Blackout while gobo wheels are moving		
	NO	Disable blackout while gobo wheels are moving		

Main Level	Programming Levels		Description
Setup (cont.)	Backlight Timer	30S	Display turns off after 30 seconds
		1M	Display turns off after 1 minute
		5M	Display turns off after 5 minutes
		ON	Display stays on
	PWM Option	600Hz	Sets the Pulse Width Modulation frequency
		1200Hz	
		2000Hz	
		4000Hz	
		6000Hz	
		15000Hz	
	Fan Mode	Auto	Fan speed according to product temperature
		Full	Fan speed set on high
		ECO	Quiet mode
	USB Update	NO	Enables/disables software update using USB
		YES	
Reset Function	Pan/Tilt	YES NO	Reset individual functions or all functions from start-up
	Prism		
	Color		
	Gobo/ Gobo Rotate		
	Frost/Focus		
	All		
Factory Settings	YES	Reset to factory default settings	
	NO		
Sys Info	Ver:	V_	Shows firmware version
	Running Mode:	---	Shows current running mode
	DMX Address:	---	Shows current DMX address
	Temperature:	-- C	Shows the product's temperature in °C
	Fixture Hours	-----	Shows number of hours product has been powered on
	LED Hours:	-----	Shows number of hours LED has been on
	UID:	-----	Shows product UID
	Fan 1	----	Shows fan speed
	Fan 2	----	
	Base Fan 1	----	Shows base fan speed
Base Fan 2	----		

DMX Values

17CH	19CH	Function	Value	Percent/Setting
1	1	Pan	000 ⇔ 255	0–100%
2	2	Pan fine	000 ⇔ 255	Fine control (16-bit)
3	3	Tilt	000 ⇔ 255	0–100%
4	4	Tilt fine	000 ⇔ 255	Fine control (16-bit)
5	5	Pan/tilt speed	000 ⇔ 255	Fast to slow
6	6	Dimmer	000 ⇔ 255	0–100%
–	7	Dimmer fine	000 ⇔ 255	Fine control (16-bit)
7	8	Strobe	000 ⇔ 003	No function
			004 ⇔ 007	On
			008 ⇔ 076	Synchronized strobe, slow to fast
			077 ⇔ 145	Pulse strobe, slow to fast
			146 ⇔ 215	Random strobe, slow to fast
			216 ⇔ 255	On
8	9	Color wheel	000 ⇔ 003	Open
			004 ⇔ 007	Red
			008 ⇔ 011	Orange
			012 ⇔ 015	Cyan
			016 ⇔ 019	Light green
			020 ⇔ 023	Light yellow
			024 ⇔ 027	Lavender
			028 ⇔ 031	Pink
			032 ⇔ 035	Yellow
			036 ⇔ 039	Magenta
			040 ⇔ 043	Light blue
			044 ⇔ 047	Amber
			048 ⇔ 051	CTO 5600K
			052 ⇔ 055	CTO 6500K
			056 ⇔ 059	UV
060 ⇔ 187	Split colors			
188 ⇔ 219	Clockwise color scroll, fast to slow			
220 ⇔ 223	Stop			
224 ⇔ 255	Counterclockwise color scroll, slow to fast			

17CH	19CH	Function	Value	Percent/Setting
9	10	Rotating gobo wheel (see Gobo Wheel)	000 ⇔ 003	Open
			004 ⇔ 007	Gobo 1
			008 ⇔ 011	Gobo 2
			012 ⇔ 015	Gobo 3
			016 ⇔ 019	Gobo 4
			020 ⇔ 023	Gobo 5
			024 ⇔ 027	Gobo 6
			028 ⇔ 031	Gobo 7
			032 ⇔ 035	Gobo 8
			036 ⇔ 039	Gobo 9
			040 ⇔ 043	Gobo 10
			044 ⇔ 047	Gobo 11
			048 ⇔ 051	Gobo 12
			052 ⇔ 055	Gobo 13
			056 ⇔ 063	Gobo 14
			064 ⇔ 071	Gobo 14 shaking, slow to fast
			072 ⇔ 075	Gobo 13 shaking, slow to fast
			076 ⇔ 079	Gobo 12 shaking, slow to fast
			080 ⇔ 083	Gobo 11 shaking, slow to fast
			084 ⇔ 087	Gobo 10 shaking, slow to fast
			088 ⇔ 091	Gobo 9 shaking, slow to fast
			092 ⇔ 095	Gobo 8 shaking, slow to fast
			096 ⇔ 099	Gobo 7 shaking, slow to fast
			100 ⇔ 103	Gobo 6 shaking, slow to fast
			104 ⇔ 107	Gobo 5 shaking, slow to fast
			108 ⇔ 111	Gobo 4 shaking, slow to fast
112 ⇔ 115	Gobo 3 shaking, slow to fast			
116 ⇔ 119	Gobo 2 shaking, slow to fast			
120 ⇔ 123	Gobo 1 shaking, slow to fast			
124 ⇔ 131	Open			
132 ⇔ 191	Clockwise gobo scroll, fast to slow			
192 ⇔ 255	Counterclockwise gobo scroll, slow to fast			
10	11	Gobo rotation	000 ⇔ 063	Gobo index
			064 ⇔ 145	Gobo rotation, fast to slow
			146 ⇔ 149	Stop
			150 ⇔ 231	Reverse gobo rotation, slow to fast
			232 ⇔ 255	Bounce effect, short to long
11	12	Prism 1	000 ⇔ 004	No function
			005 ⇔ 255	Prism insert
12	13	Rotating prism 1	000 ⇔ 127	Prism index
			128 ⇔ 189	Clockwise rotation, fast to slow
			190 ⇔ 193	Stop
			194 ⇔ 255	Counterclockwise rotation, slow to fast
13	14	Prism 2	000 ⇔ 004	No function
			005 ⇔ 255	Prism index

OPERATION

17CH	19CH	Function	Value	Percent/Setting
14	15	Rotating prism 2	000 ⇔ 127	Prism index
			128 ⇔ 189	Clockwise rotation, fast to slow
			190 ⇔ 193	Stop
			194 ⇔ 255	Counterclockwise rotation, slow to fast
15	16	Frost	000 ⇔ 255	0–100%
16	17	Focus	000 ⇔ 255	0–100%
–	18	Fine focus	000 ⇔ 255	Fine control (16-bit)
17	19	Control	000 ⇔ 007	No function
			008 ⇔ 015	Pan/tilt blackout
			016 ⇔ 023	Color blackout
			024 ⇔ 031	Gobo blackout
			032 ⇔ 039	Pan/tilt/color blackout
			040 ⇔ 047	Pan/tilt/gobo blackout
			048 ⇔ 055	Pan/tilt/color/gobo blackout
			056 ⇔ 095	No function
			096 ⇔ 103	Pan reset
			104 ⇔ 111	Tilt reset
			112 ⇔ 119	Color reset
			120 ⇔ 127	Gobo reset
			128 ⇔ 135	No function
			136 ⇔ 143	Prism reset
			144 ⇔ 151	Focus reset
			152 ⇔ 159	All reset
160 ⇔ 167	No function			
168 ⇔ 231	Frost reset			
232 ⇔ 255	No function			

Address

This programming level sets the DMX starting address. In this mode, each product will respond to a unique starting address from the DMX controller. All products with the same starting address will respond in unison. This option sets the products DMX address.

- Starting from the Main Level screen, select **Address**.
- Press **<ENTER>**.
- Select the starting address (**001–512**), press **<ENTER>**.

Run Mode

This programming level sets the DMX personality and controls the different test modes.

- Starting from the Main Level screen, select **Run Mode**, press **<ENTER>**.

DMX Personality

This setting allows you to choose a particular DMX personality.

1. Highlight **DMX**, press **<ENTER>**.
2. Select the DMX personality **17CH** or **19CH**, then press **<ENTER>**.



Make sure that the starting addresses on the various products do not overlap due to the new personality setting.

Auto Test

This option runs every attribute individually through one cycle.

1. Highlight **Auto Test**.
2. Press **<ENTER>**.



The Auto Test will end after one full cycle. You can stop the test by pressing <MENU> at any time.

Manual Test

This option allows each attribute to run individually or as a group.

1. Highlight **Manual Test**, press **<ENTER>**.
2. Highlight the desired attribute listed on the control panel screen, press **<ENTER>**.
3. Set the attribute value (**000–255**), press **<ENTER>**.
4. Repeat step 2 for the other attributes.



When exiting the Manual Test level, the values of all tested channels will revert to zero.

Setup

This programming level controls the product's head movement, display, dimming, lamp settings, and maintenance adjustments.

- Starting from the Main Level screen, select **Setup**, press **<ENTER>**.

Pan Reverse

Reverses the operation of the pan attribute.

1. Highlight **Pan Reverse**, press **<ENTER>**.
2. Select **ON** (reverse pan) or **OFF** (normal pan), press **<ENTER>**.

Tilt Reverse

Reverses the operation of the tilt attribute.

1. Highlight **Tilt Reverse**, press **<ENTER>**.
2. Select **ON** (reverse tilt) or **OFF** (normal tilt), press **<ENTER>**.

Screen Reverse

To set the orientation of the display:

1. Go to the **Setup** main level.
2. Select the **Screen Rev** option.
3. Select from **NO** (right-side up), **YES**(upside-down) or **AUTO**.

OPERATION

Pan Angle

This option assigns pan range.

1. Highlight **Pan Angle**, press **<ENTER>**.
2. Select **540**, **360**, or **180**, press **<ENTER>**.

Tilt Angle

This option assigns tilt range.

1. Highlight **Tilt Angle**, press **<ENTER>**.
2. Select **90**, **180**, or **270**, press **<ENTER>**.

BL.O. P/T Move

Enables/disables blackout on pan/tilt move.

1. Highlight **BL.O.P/T Move**, press **<ENTER>**.
2. Select **YES** (blackout while panning/tilting) or **NO** (disable blackout while panning/tilting), press **<ENTER>**.

BL.O. Color Move

Enables/disables blackout on color wheel move.

1. Highlight **BL.O.Color Move**, press **<ENTER>**.
2. Select **YES** (blackout while color wheel is moving) or **NO** (disable blackout while color wheel is moving), press **<ENTER>**.

BL.O. Gobo Move

Enables/disables blackout on gobo wheel move.

1. Highlight **BL.O.Gobo Move**, press **<ENTER>**.
2. Select **YES** (blackout while gobo wheel is moving) or **NO** (disable blackout while gobo wheel is moving), press **<ENTER>**.

Backlight Timer

To set the length of time before an inactive display will turn off:

1. Select the **Backlight Timer** option.
2. Select the length of the backlight timer, from **30S** (30 seconds), **1M** (1 minute), **5M** (5 minutes), or **ON** (always on).

Pulse Width Modulation

To adjust the frequency of the pulse width modulation:

1. Select the **PWM Option** option.
2. Select the frequency, from **600Hz**, **1200Hz**, **2000Hz**, **4000Hz**, **6000Hz**, or **15000Hz**.
3. Press **<ENTER>**.

Fan Mode

To set the fan speed mode:

1. Select the **Fans** option.
2. Select the fan mode, from **Auto** (fan speed adjusts to product temperature), **Full** (fan speed at maximum), or **ECO** (quiet mode).

USB Update

To enable or disable software update using USB:

1. Select the **USB Update** option.
2. Select **NO** (disables software update through USB) or **YES** (enables software update through USB).

Reset Function

This programming level allows the user to reset individual functions to the home position.

1. Starting from the **Setup** screen level, select **Reset Function**.
2. Press **<ENTER>**.

Pan/Tilt Reset

This option resets the pan/tilt functions to the home position.

1. Highlight **Pan/Tilt**, press **<ENTER>**.
2. Select **YES** or **NO**, press **<ENTER>**.

Prism Reset

This option resets the prism functions to the home position.

1. Highlight **Prism**, press **<ENTER>**.
2. Select **YES** or **NO**, press **<ENTER>**.

Color Reset

This option resets the color functions to the home position.

1. Highlight **Color**, press **<ENTER>**.
2. Select **YES** or **NO**, press **<ENTER>**.

Gobo/Gobo Rotate Reset

This option resets the gobo functions to the home position.

1. Highlight **Gobo/ Gobo Rotate**, press **<ENTER>**.
2. Select **YES** or **NO**, press **<ENTER>**.

Frost/Focus Reset

This option resets the frost/focus functions to the home position.

1. Highlight **Frost/Focus**, press **<ENTER>**.
2. Select **YES** or **NO**, press **<ENTER>**.

All Reset

This option resets the all the functions to the home position.

1. Highlight **All**, press **<ENTER>**.
2. Select **YES** or **NO**, press **<ENTER>**.

Factory Reset Function

This resets the product back to its original factory settings.

1. Starting from the **Setup** screen level, select **Factory Settings**, press **<ENTER>**.
2. Select **YES** or **NO**, press **<ENTER>**.

System Information

This programming level shows standard information regarding the product's operating status. Starting from the Main Level screen, select **Sys Info**, press **<ENTER>**.

- **Ver:** The current software version is displayed on the screen.
- **Running Mode:** The current running mode is displayed on the screen.
- **DMX Address:** The current DMX address is displayed on the screen.
- **Temperature:** The current product temperature is displayed on the screen.
- **Fixture Hours:** The product's total running time is displayed on the screen
- **LED Hours:** The LED's total running time is displayed on the screen.
- **UID:** The product's UID is displayed on the screen.
- **Fan 1/Fan 2:** The product's fan speed is displayed on the screen.
- **Base Fan 1/Base Fan 2:** The product's base fan speed is displayed on the screen.

Offset Mode

The Offset mode provides fine adjustments for the home position of all the moving parts in the optical path as well as the pan and tilt movements. This way, when in their home position, the moving parts do not show any border or reduce the light output.

1. Starting from the Main Level screen, press and hold **<MENU>** until the passcode screen appears.
2. Using **<UP>** to increase the number value and **<DOWN>** to move to the next column, enter **2323**, press **<ENTER>**. This brings you into the Zero Adjust menu screen.

Pan

1. Highlight **PAN**, press **<ENTER>**.
2. Select **000-255**, press **<ENTER>**.

Tilt

1. Highlight **TILT**, press **<ENTER>**.
2. Select **000-255**, press **<ENTER>**.

Color

1. Highlight **COLOR**, press **<ENTER>**.
2. Select **000-255**, press **<ENTER>**.

Gobo

1. Highlight **GOBO**, press **<ENTER>**.
2. Select **000-255**, press **<ENTER>**.

Gobo Rotate

1. Highlight **GOBO ROTATE**, press **<ENTER>**.
2. Select **000-255**, press **<ENTER>**.

Prism1

1. Highlight **PRISM1**, press **<ENTER>**.
2. Select **000-255**, press **<ENTER>**.

Prism2

1. Highlight **PRISM2**, press **<ENTER>**.
2. Select **000-255**, press **<ENTER>**.

Rotate2

1. Highlight **ROTATE2**, press **<ENTER>**.
2. Select **000-255**, press **<ENTER>**.

Frost

1. Highlight **FROST**, press **<ENTER>**.
2. Select **000-255**, press **<ENTER>**.

Focus

1. Highlight **FOCUS**, press **<ENTER>**.
2. Select **000-255**, press **<ENTER>**.

Dimmer

1. Highlight **DIMMER**, press **<ENTER>**.
2. Select **000-255**, press **<ENTER>**.

RDM4

1. Highlight **RDM4**, press **<ENTER>**.
2. Select **000-255**, press **<ENTER>**.

RDM5

1. Highlight **RDM5**, press **<ENTER>**.
2. Select **000-255**, press **<ENTER>**.

RDM6

1. Highlight **RDM6**, press **<ENTER>**.
2. Select **000-255**, press **<ENTER>**.

5. Technical Information

Product Maintenance

To maintain optimum performance and minimize wear, clean this product frequently. Usage and environment are contributing factors in determining the cleaning frequency.

Clean this product at least twice a month. Dust build-up reduces light output performance and can cause overheating. This can lead to reduced light source life and increased mechanical wear.

To clean the product:

1. Unplug the product from power.
2. Wait until the product is at room temperature.
3. Use a vacuum (or dry compressed air) and a soft brush to remove dust collected on the external vents.
4. Clean all transparent surfaces with a mild soap solution, ammonia-free glass cleaner, or isopropyl alcohol.
5. Apply the solution directly to a soft, lint-free cotton cloth or a lens-cleaning tissue.
6. Softly drag any dirt or grime to the outside of the transparent surface.
7. Gently polish the transparent surfaces until they are free of haze and lint.



Always dry the transparent surfaces carefully after cleaning them.



Do not spin the cooling fans while blowing compressed air into them.

6. Technical Specifications

Dimensions and Weight

Length	Width	Height	Weight
12.56 in (319 mm)	8.58 in (218 mm)	19.88 in (505 mm)	35.4 lb (16.1 kg)

Note: Dimensions in inches rounded to the nearest hundredth.

Power

Power Supply Type	Range	Voltage Selection
Switching (internal)	100 to 240 VAC, 50/60 Hz	Auto-ranging

Parameter	100 V, 60 Hz	120 V, 60 Hz	208 V, 60 Hz	230 V, 50 Hz	240 V, 50 Hz
Consumption	235 W	233 W	226 W	223 W	224 W
Operating current	2.45 A	2.08 A	1.15 A	1.04 A	1.01 A
Fuse	T 5 A, 250 V	T 5 A, 250 V	T 5 A, 250 V	T 5 A, 250 V	T 5 A, 250 V

Power I/O	U.S./Canada	Worldwide
Power input connector	Seetronic Powerkon IP65 power cord	Seetronic Powerkon IP65 power cord
Power output connector	Seetronic Powerkon IP65 power cord	Seetronic Powerkon IP65 power cord
Power cord plug	Bare end	Local plug

Light Source

Type	Power	Lifespan
LED	140 W	50,000 hours

Photometrics

Beam Angle	Field Angle	Cutoff Angle	Illuminance @ 5 m
1.4°	1.7°	1.8°	224,670 lux

Thermal

Maximum External Temperature	Cooling System
113 °F (45 °C)	Convection

DMX

I/O Connector	Channel Range
5-pin XLR	17 or 19

Ordering

Product Name	Item Code	UPC Number
Rogue Outcast 1L Beam	08011930	781462222789



RoHS



Returns

Send the product prepaid, in the original box, and with the original packing and accessories. Chauvet will not issue call tags.

Call Chauvet and request a Return Merchandise Authorization (RMA) number before shipping the product. Be prepared to provide the model number, serial number, and a brief description of the cause(s) for the return. To submit a service request online, go to www.chauvetprofessional.com/service-request.

Clearly label the package with an RMA number. Chauvet will refuse any product returned without an RMA number.



Write the RMA number on a properly affixed label. DO NOT write the RMA number directly on the box.

Once you have the RMA number, provide the following information on a piece of paper and place it inside the box:

- Your name
- Your address
- Your phone number
- RMA number
- A brief description of the problem

Be sure to pack the product properly. Any shipping damage resulting from inadequate packaging will be your responsibility. FedEx packing or double-boxing are recommended.



Chauvet reserves the right to use its own discretion to repair or replace returned product(s).

Contact Us

General Information	Technical Support
World Headquarters	
Address: 5200 NW 108th Ave. Sunrise, FL 33351 Voice: (954) 577-4455 Fax: (954) 929-5560 Toll Free: (800) 762-1084	Voice: (844) 393-7575 Fax: (954) 756-8015 Email: chauvetcs@chauvetlighting.com Website: www.chauvetprofessional.com
U.K.	
Address: Unit 1C Brookhill Road Industrial Estate Pinxton, Nottingham, UK NG16 6NT Voice: +44 (0) 1773 511115 Fax: +44 (0) 1773 511110	Email: UKtech@chauvetlighting.eu Website: www.chauvetprofessional.eu
Benelux	
Address: Stokstraat 18 9770 Kruishoutem Belgium Voice: +32 9 388 93 97	Email: BNLtech@chauvetlighting.eu Website: www.chauvetprofessional.eu
France	
Address: 3, Rue Ampère 91380 Chilly-Mazarin France Voice: +33 1 78 85 33 59	Email: FRtech@chauvetlighting.fr Website: www.chauvetprofessional.eu
Germany	
Address: Bruno-Bürgel-Str. 11 28759 Bremen Germany Voice: +49 421 62 60 20	Email: DEtech@chauvetlighting.de Website: www.chauvetprofessional.eu
Mexico	
Address: Av. de las Partidas 34 - 3B (Entrance by Calle 2) Zona Industrial Lerma Lerma, Edo. de México, CP 52000 Voice: +52 (728) 690-2010	Email: servicio@chauvet.com.mx Website: www.chauvetprofessional.mx

Visit the applicable website above to verify our contact information and instructions to request support. Outside the U.S., U.K., Ireland, Mexico, France, Germany, or Benelux, contact the dealer of record.