

ROGUE



Model ID: ROGUEOUTCAST1BEAMWASH

Edition Notes

The Rogue Outcast 1 Beam Wash User Manual includes a description, safety precautions, installation, programming, operation and maintenance instructions for the Rogue Outcast 1 Beam Wash as of the release date of this edition.

Trademarks

CHAUVET, the Chauvet logo and Rogue Outcast 1 Beam Wash are registered trademarks or trademarks of Chauvet & Sons, LLC (d/b/a Chauvet and Chauvet Lighting) in the United States and other countries. Other company and product names and logos referred to herein may be trademarks of their respective companies.

Copyright Notice

The works of authorship contained in this manual, including, but not limited to, all design, text and images are owned by Chauvet.

© **Copyright 2021 Chauvet & Sons, LLC. All rights reserved.**

Electronically published by Chauvet in the United States of America.

Manual Use

Chauvet authorizes its customers to download and print this manual for professional information purposes only. Chauvet expressly prohibits the usage, copy, storage, distribution, modification, or printing of this manual or its content for any other purpose without written consent from Chauvet.

Document Printing

For best results, print this document in color, on letter size paper (8.5 x 11 in), double-sided. If using A4 paper (210 x 297 mm), configure the printer to scale the content accordingly.

Intended Audience

Any person installing, operating, and/or maintaining this product should completely read through the guide that shipped with the product, as well as this manual, before installing, operating, or maintaining this product.

Disclaimer

Chauvet believes that the information contained in this manual is accurate in all respects. However, Chauvet assumes no responsibility and specifically disclaims any and all liability to any party for any loss, damage or disruption caused by any errors or omissions in this document, whether such errors or omissions result from negligence, accident or any other cause. Chauvet reserves the right to revise the content of this document without any obligation to notify any person or company of such revision, however, Chauvet has no obligation to make, and does not commit to make, any such revisions. Download the latest version from www.chauvetprofessional.com.

Document Revision

This Rogue Outcast 1 Beam Wash User Manual is the 2nd edition of this document. Go to www.chauvetprofessional.com for the latest version.

TABLE OF CONTENTS

1. Before You Begin	1
What Is Included	1
Claims	1
Text Conventions	1
Symbols	1
FCC Compliance.....	1
RF Exposure Warning for North America, and Australia.....	1
Safety Notes.....	2
Personal Safety.....	2
Mounting and Rigging	2
Power and Wiring.....	2
Operation	2
Expected LED Lifespan.....	3
2. Introduction	4
Description	4
Features.....	4
Product Overview.....	4
Product Dimensions.....	5
3. Setup	6
AC Power.....	6
AC Plug.....	6
Power Linking.....	6
Fuse Replacement.....	6
Remote Device Management (RDM).....	6
USB Software Update.....	6
Mounting	7
Orientation.....	7
Rigging	7
Procedure.....	7
4. Operation	8
Control Panel Description	8
Menu Map	8
Configuration (DMX)	10
Control Personalities	10
Starting Address.....	10
Control Channel Assignments and Values.....	11
Preset Color Chart	11
Background Color Chart.....	11
135CH	12
111CH	18
64CH	23
30CH	27
24CH	31
15CH	35
Configuration (Settings)	36
Pan Reverse	36
Tilt Reverse	36
Pan Angle.....	36
Tilt Angle	36
Fan Mode	37

Display Backlight Timer.....	37
Screen Reverse	37
Dimmer Curve	37
Dimmer Speed	37
Pulse Width Modulation	37
LED Power	37
White Mode	37
Color Calibration	37
USB Update	38
Reset Function	38
Factory Reset.....	38
Test Mode	38
Auto Test.....	38
Manual Test	38
System Information	38
Offset Mode (Zero Adjust).....	38
5. Maintenance.....	39
Product Maintenance	39
6. Technical Specifications	40
7. Returns.....	41
8. Contact Us	42

Before You Begin

1. Before You Begin

What Is Included

- Rogue Outcast 1 Beam Wash
- Seetronic Powerkon IP65 power cord
- 2 Omega brackets with mounting hardware
- Quick Reference Guide

Claims

Carefully unpack the product immediately and check the container to make sure all the parts are in the package and are in good condition.




If the box or the contents (the product and included accessories) appear damaged from shipping, or show signs of mishandling, notify the carrier immediately, not Chauvet. Failure to report damage to the carrier immediately may invalidate your claim. In addition, keep the box and contents for inspection.

For other issues, such as missing components or parts, damage not related to shipping, or concealed damage, file a claim with Chauvet within 7 days of delivery.

Text Conventions

Convention	Meaning
1–512	A range of values
50/60	A set of values of which only one can be chosen
Settings	A menu option not to be modified
<ENTER>	A key to be pressed on the product's control panel

Symbols

Symbol	Meaning
	Critical installation, configuration, or operation information. Not following these instructions may make the product not work, cause damage to the product, or cause harm to the operator.
	Important installation or configuration information. The product may not function correctly if this information is not used.
	Useful information.



Any reference to data or power connections in this manual assumes the use of Seetronic IP rated cables.



The term “DMX” used throughout this manual refers to the USITT DMX512-A digital data transmission protocol.

FCC Compliance

This device complies with Part 15 Part B of the FCC Rules. Operation is subject to the following two conditions:

1. This device may not cause harmful interference, and
2. This device must accept any interference received, including interference that may cause undesired operation.

Any changes or modifications not expressly approved by the party responsible for compliance could void the user's authority to operate the equipment.

RF Exposure Warning for North America, and Australia

Warning! This equipment complies with FCC radiation exposure limits set forth for an uncontrolled environment. This equipment should be installed and operated with a minimum distance of 20cm between the radiator and your body. This transmitter must not be co-located or operating in conjunction with any other antenna or transmitter.

Safety Notes

Read all the following safety notes before working with this product. These notes contain important information about the installation, usage, and maintenance of this product.



This product contains no user-serviceable parts. Any reference to servicing in this User Manual will only apply to properly trained, certified technicians. Do not open the housing or attempt any repairs.



All applicable local codes and regulations apply to proper installation of this product.

Personal Safety

- The luminaire should be positioned so that prolonged staring into the luminaire at a distance closer than 18.04 ft (5.5 m) is not expected.
- If the external flexible cable or cord of this luminaire is damaged, it shall be replaced by a special cord or cord exclusively available from the manufacturer or his service agent.
- The light source contained in this luminaire shall only be replaced by the manufacturer or his service agent or a similar qualified person.
- The luminaire is intended for professional use only.
- Always disconnect the product from the power source before cleaning or replacing the fuse.
- Always connect the product to a grounded circuit to avoid the risk of electrocution.
- Do not touch the product's housing when operating because it may be very hot.

Mounting and Rigging

- Do not submerge this product (IP65). Temporary outdoor operation is fine.
- When using this product in an outdoor environment, use IP65 (or higher) rated power and data cables. Secure unused power and data ports with attached IP65 covers.
- CAUTION: When transferring product from extreme temperature environments, (e.g., cold truck to warm, humid ballroom) condensation may form on the internal electronics of the product. To avoid causing a failure, allow product to fully acclimate to the surrounding environment before connecting it to power.
- Not for permanent outdoor installation in locations with extreme environmental conditions. This includes, but is not limited to:
 - Exposure to a marine/saline environment (within 3 miles of a saltwater body of water).
 - Locations where the normal high or low temperatures exceed the temperature ranges in this manual.
 - Locations that are prone to flooding or being buried in snow.
- Areas where the product will be subjected to extreme radiation or caustic substances.
- Mount this product in a location with adequate ventilation, at least 20 in (50 cm) from adjacent surfaces.
- Make sure there are no flammable materials close to this product while it is operating.
- When hanging this product, always secure to a fastening device using a safety cable.
- Never carry the product by the power cord.

Power and Wiring

- Make sure the power cord is not crimped or damaged.
- Always make sure you are connecting this product to the proper voltage in accordance with the specifications in this manual or on the product's specification label.
- To eliminate unnecessary wear and improve its lifespan, during periods of non-use completely disconnect the product from power via breaker or by unplugging it.
- Never connect this product to a dimmer pack or rheostat.
- Make sure to replace the fuse with another of the same type and rating.
- Never disconnect this product by pulling or tugging on the power cable.

Operation

- Do not operate this product if there is damage on the housing, lenses, or cables. Have the damaged parts replaced by an authorized technician at once.
- Do not cover the ventilation slots when operating to avoid internal overheating.
- The maximum ambient temperature is 113 °F (45 °C). Do not operate the product at higher temperatures.
- The minimum startup temperature is -4°F (-20°C). Do not start the product at lower temperatures.
- The minimum ambient temperature is -22°F (-30°C). Do not operate the product at lower temperatures.
- In the event of a serious operation problem, stop using this product immediately!



If your Chauvet product requires service, contact Chauvet Technical Support.

Before You Begin

Expected LED Lifespan

Over time, use and heat will gradually reduce LED brightness. Clustered LEDs produce more heat than single LEDs, contributing to shorter lifespans if always used at full intensity. The average LED lifespan is 40,000 to 50,000 hours. To extend LED lifespan, maintain proper ventilation around the product, and limit the overall intensity.

2. Introduction

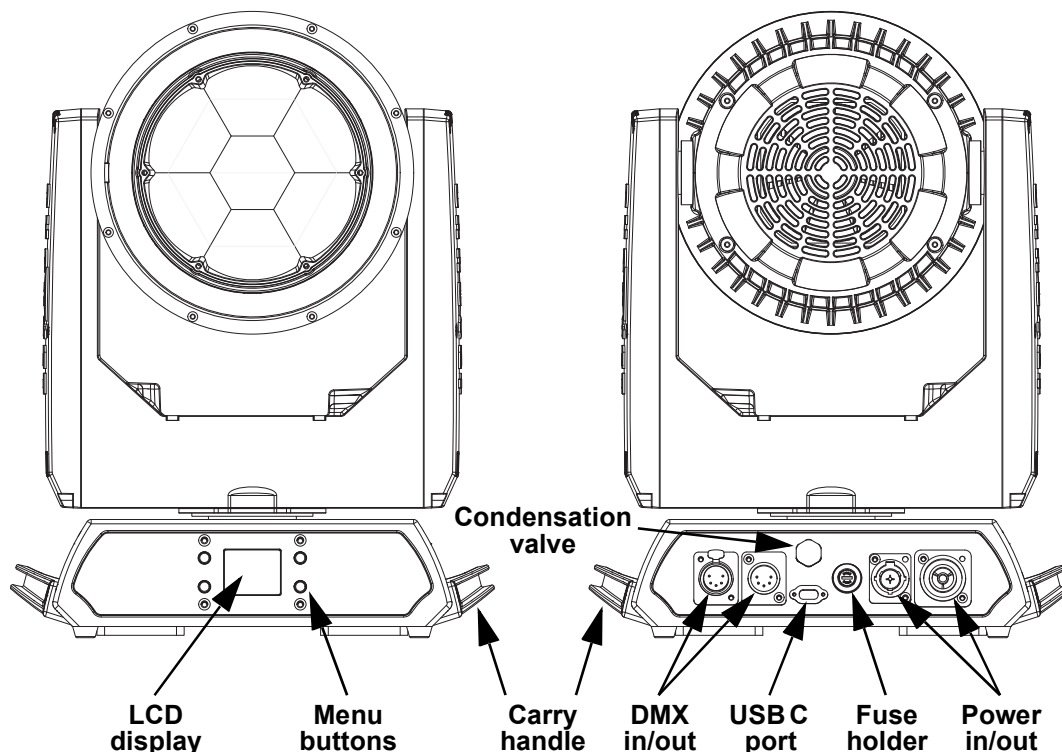
Description

The Rogue Outcast 1 Beam Wash is an IP65 moving head that outputs a bright, powerful light and offers twelve zones of LED control in the pixel-mappable outer ring. The outdoor-ready unit raises the bar in dynamic effect options with a standout zoom range of 3.9° to 55.3° giving it the spread to cover even the largest areas. Control is over DMX and RDM.

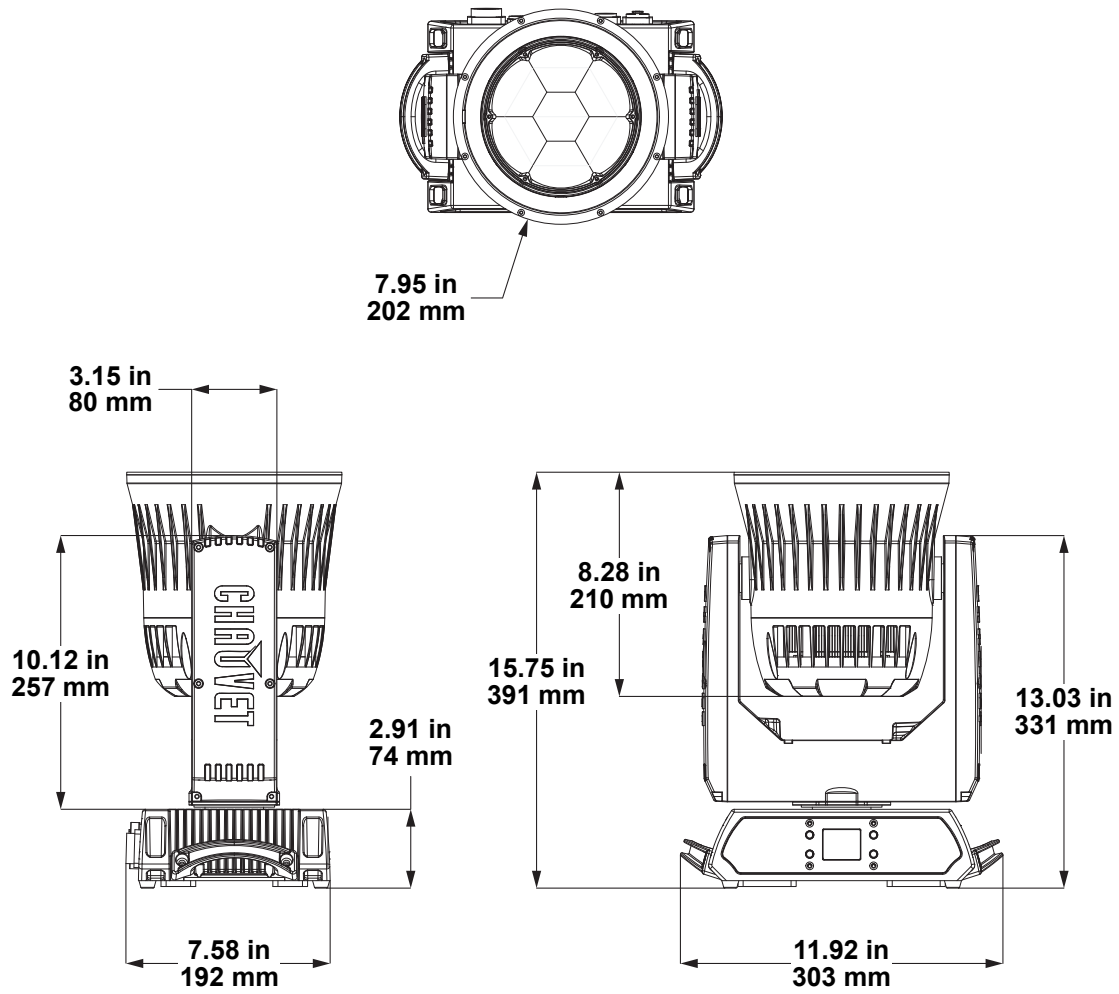
Features

- Fully featured RGBW LED IP 65 rated yoke wash fixture with zoom and RGB LED ring
- 16-bit dimming of master dimmer as well as individual colors for smooth control of fades
- 7 RGBW LEDs, 45 W each
- 12 zone pixel-mappable RGB LED outer ring under a stealth filter for added effect possibilities
- Pre-built programs for outer LED ring with the ability to easily control dimming, rate, foreground and background colors
- 5-pin DMX input/output connections
- Unique lens design for excellent color blending and tight beam effects
- Extremely fast, smooth pan and tilt movement
- RDM enabled for remote addressing and trouble shooting
- Selectable PWM settings for camera operation
- Zoom Range: 3.9° to 55.3° for maximum coverage
- User selectable calibrated white for 7500 K at full output
- 6 distinct dimming modes for advanced control
- Easy to read OLED display with simple, effective menu options
- Simple and complex DMX channel profiles for programming versatility
- USB-C port for uploading software

Product Overview



Product Dimensions



3. Setup

AC Power

The Rogue Outcast 1 Beam Wash has an auto-ranging power supply and it can work with an input voltage range of 100 to 240 VAC, 50/60 Hz.

To determine the product's power requirements (circuit breaker, power outlet, and wiring), use the current value listed on the label affixed to the product's back panel, or refer to the product's specifications chart.

The listed current rating indicates the product's average current draw under normal conditions.



- **Always connect the product to a protected circuit (a circuit breaker or fuse). Make sure the product has an appropriate electrical ground to avoid the risk of electrocution or fire.**
- **To eliminate unnecessary wear and improve its lifespan, during periods of non-use completely disconnect the product from power via breaker or by unplugging it.**



Never connect the product to a rheostat (variable resistor) or dimmer circuit, even if the rheostat or dimmer channel serves only as a 0 to 100% switch.

AC Plug

The Rogue Outcast 1 Beam Wash comes with a power input cord terminated with a Seetronic Powerkon A connector on one end and bare wire on the other end (U.S. market). Use the table below to wire a plug.

Connection	Wire (U.S.)	Wire (Europe)	Screw Color
AC Live	Black	Brown	Yellow or Brass
AC Neutral	White	Blue	Silver
AC Ground	Green/Yellow	Green/Yellow	Green

Power Linking

The product supports power linking. You can power link up to 3 products at 100 V, 4 products at 120 V, 7 products at 208 V, 7 products at 230 V, or 8 products at 240 V.

This product comes with a power input cord. Power linking cables are available from Chauvet for purchase.

Fuse Replacement

1. Disconnect this product from the power outlet.
2. Using a flat-head screwdriver, unscrew the fuse holder cap from the housing.
3. Remove the blown fuse and replace with another fuse of the same type and rating (F 20 A, 250 V).
4. Screw the fuse holder cap back in place and reconnect power.

Remote Device Management (RDM)

Remote Device Management, or RDM, is a standard for allowing DMX-enabled devices to communicate bi-directionally along existing DMX cabling. Check the DMX controller's User Manual or with the manufacturer as not all DMX controllers have this capability. The Rogue Outcast 1 Beam Wash supports RDM protocol that allows feedback to make changes to menu map options.

USB Software Update

The Rogue Outcast 1 Beam Wash allows for software update through USB using the built-in USB port. To update the software using a USB flash drive, do the following:

1. Power on the product and plug the flash drive into the USB port.
2. Once the flash drive has been detected, the message "Upgrade Firmware" will be displayed. Press **<ENTER>**. If a different message appears on the display, search for the updated software in the **Menu (Updated Firmware)**. A list of the updated software files will be displayed.
3. Select the file that needs to be uploaded. The message "Are you sure?" will be displayed. Press **<ENTER>**.
4. If the selected file is correct, the update will be completed. Restart the product. If the selected file is incorrect, the update will fail, and the display will go back to the main interface. Repeat steps 1–3 using the correct file.

Setup

Mounting

Before mounting the product, read and follow the safety recommendations indicated in the Safety Notes. For our CHAUVET Professional line of mounting clamps, go to <http://trusst.com/products/>.

Orientation

Always mount this product in a safe position, making sure there is adequate room for ventilation, configuration, and maintenance.

Rigging

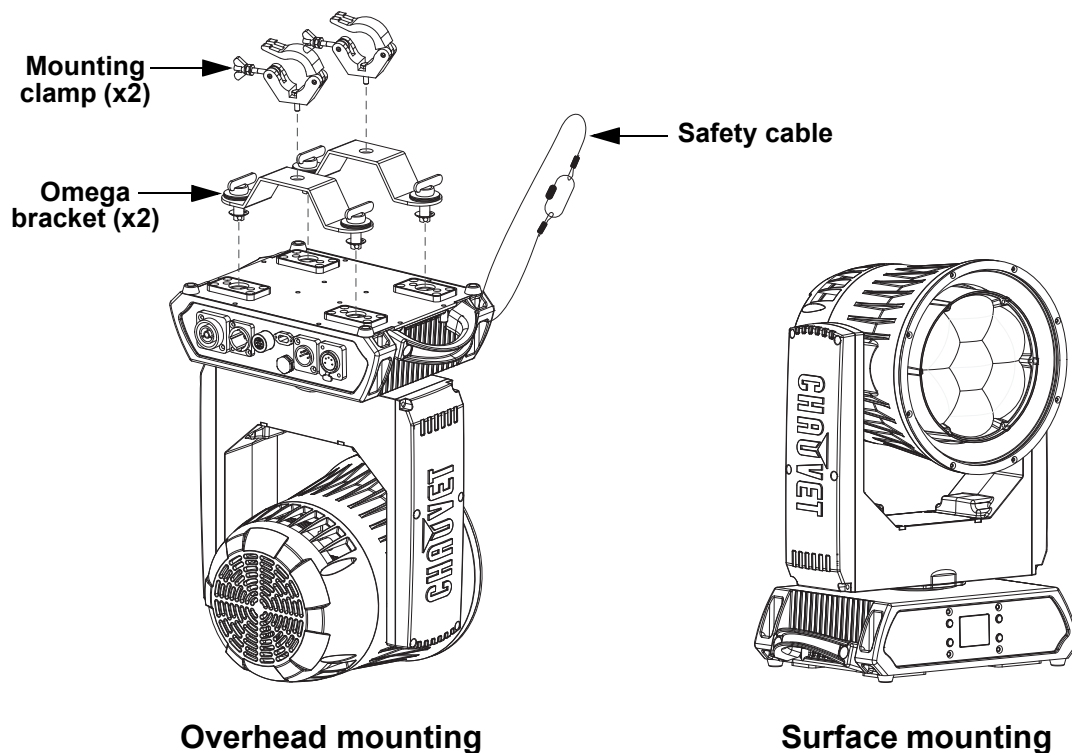
Chauvet recommends using the following general guidelines when mounting this product.

- Before deciding on a location for the product, make sure there is easy access to the product for maintenance and programming purposes.
- Make sure that the structure onto which you are mounting the product can support the product's weight. See the [Technical Specifications](#) for weight information.
- When mounting the product overhead, always use a safety cable. Mount the product securely to a rigging point, whether an elevated platform or a truss.
- When rigging the product onto a truss, use a mounting clamp of appropriate weight capacity.

Procedure

The Rogue Outcast 1 Beam Wash comes with 2 omega brackets to which you can directly attach mounting clamps (sold separately). Make sure the clamps are capable of supporting the weight of this product. Use at least two mounting points per product. For the CHAUVET Professional line of mounting clamps, go to <http://www.trusst.com/products>.

Mounting Diagram



4. Operation

Control Panel Description

Button	Function
<MENU>	Exits from the current menu or function
<ENTER>	Enables the currently displayed menu or sets the currently selected value into the selected function
<UP>	Navigates upwards through the menu list or increases the numeric value when in a function
<DOWN>	Navigates downwards through the menu list or decreases the numeric value when in a function

Menu Map

Main Level	Programming Levels		Description	
Address	001–498		Sets the starting address	
Run Mode	DMX	15CH	Selects the DMX personality	
		24CH		
		30CH		
		64CH		
		111CH		
		135CH		
	Auto Test		Auto test all functions	
	Manual Test	Pan	0–255	Manually control and test all settings through the control panel
		Tilt		
		Dimmer		
		Shutter		
		Red 1		
		Green 1		
		Blue 1		
		Red 2		
		Green 2		
		Blue 2		
		Red 3		
		Green 3		
		Blue 3		
Red 4				
Green 4				
Blue 4				
Red 5				
Green 5				
Blue 5				
Red 6				
Green 6				
Blue 6				
Red 7				
Green 7				
Blue 7				
Red 8				
Green 8				
Blue 8				
Red 9				
Green 9				
Blue 9				
Red 10				
Green 10				
Blue 10				

Main Level	Programming Levels			Description	
Run Mode (cont.)	Manual Test (cont.)	Red 11	0-255	Manually control and test all settings through the control panel	
		Green 11			
		Blue 11			
		Red 12			
		Green 12			
		Blue 12			
		Red 13			
		Green 13			
		Blue 13			
		White 13			
	Zoom				
Setup	Pan Reverse		OFF	Normal pan	
			ON	Reversed pan	
	Tilt Reverse		OFF	Normal tilt	
			ON	Reversed tilt	
	Pan Angle		540	540° pan range	
			360	360° pan range	
			180	180° pan range	
	Tilt Angle		260	260° tilt range	
			180	180° tilt range	
			90	90° tilt range	
	Fans		Auto	Fan speed according to product temperature	
			Full	Fan speed set on high	
			ECO	Quiet mode	
	Display		OFF	Display times out	
			ON	Display stays on	
	Screen Rev		OFF	Normal screen display	
			ON	Inverted screen display	
	Dimmer Curve		Linear	Set the dimmer curve	
			Square		
			I Squa		
			SCurve		
	Dimmer Speed		Smooth	Sets the dimmer speed	
			Fast		
	PWM Option		600Hz	Sets the Pulse Width Modulation frequency	
			1200Hz		
			2000Hz		
		4000Hz			
		6000Hz			
		15000Hz			
LED R POWER		050-100	Sets red LED power		
LED G POWER		050-100	Sets green LED power		
LED B POWER		050-100	Sets blue LED power		
LED W POWER		050-100	Sets white LED power		
White Mode		On		Calibrates white to 7500K	
		Off		Uses maximum output values	
		Custom	RED	000-255	Sets red LED maximum value
			GREEN		Sets green LED maximum value
			BLUE		Sets blue LED maximum value
WHITE	Sets white LED maximum value				

Main Level	Programming Levels			Description	
Setup (cont.)	Color Calibration	On			Uses factory default white setting
		Off			Uses maximum output values
		Custom	RED	100–255	Sets red LED maximum value
			GREEN		Sets green LED maximum value
	BLUE		Sets blue LED maximum value		
	USB Update		NO	Enables/disables updating firmware through USB	
			YES		
	Reset Function		Pan/Tilt	NO/YES	Reset individual functions or all functions from start-up
			Zoom		
			All		
Factory Settings		NO	Reset to factory default settings		
		YES			
Sys Info	Ver		V_ _ _ _ _	Shows current firmware version	
	Running Mode		_ _ _	Shows current running mode	
	DMX Address		_ _ _	Shows current DMX address	
	Temperature		_ _	Shows the product's temperature in °C	
	Fixture Time		_ _ _ _	Shows number of hours product has been powered on	
	UID		_ _ _ _ _ _ _ _	Shows product UID	
	Head Fan1–6		_ _ _ _ _	Shows the speed of the fans in rpm	

Configuration (DMX)

Use control configurations to operate the product with a DMX controller.

Control Personalities

To set the control personality:

1. Go to the **Run Mode** main level.
2. Select the **DMX** option.
3. Select the desired personality, from **15CH**, **24CH**, **30CH**, **64CH**, **111CH**, or **135CH**.



- See the [Starting Address](#) section for the highest starting address you can select for each personality.
- Make sure that the starting addresses on the various products do not overlap due to the new personality setting.

Starting Address

Each product will respond to a unique starting address from the controller. All products with the same starting address will respond in unison. To set the starting address:

1. Go to the **Address** main level.
2. Select the starting address (**001–498**).
 - The highest recommended starting address for **15CH** is **498**.
 - The highest recommended starting address for **24CH** is **489**.
 - The highest recommended starting address for **30CH** is **483**.
 - The highest recommended starting address for **64CH** is **449**.
 - The highest recommended starting address for **111CH** is **402**.
 - The highest recommended starting address for **135CH** is **378**.

Operation

Control Channel Assignments and Values

Preset Color Chart

DMX Value	Function	Red Value	Green Value	Blue Value	White Value
005 ⇔ 009	Color 1	000	000	000	255
010 ⇔ 014	Color 2	255	235	053	000
015 ⇔ 019	Color 3	214	134	048	000
020 ⇔ 024	Color 4	255	000	044	000
025 ⇔ 029	Color 5	255	059	113	000
030 ⇔ 034	Color 6	255	138	219	000
035 ⇔ 039	Color 7	226	175	226	000
040 ⇔ 044	Color 8	040	001	255	000
045 ⇔ 049	Color 9	000	000	255	000
050 ⇔ 054	Color 10	000	078	255	000
055 ⇔ 059	Color 11	000	199	255	000
060 ⇔ 064	Color 12	000	255	234	000
065 ⇔ 069	Color 13	149	246	255	000
070 ⇔ 074	Color 14	137	255	227	000
075 ⇔ 079	Color 15	213	220	222	000
080 ⇔ 084	Color 16	219	232	175	000
085 ⇔ 089	Color 17	205	255	199	000
090 ⇔ 094	Color 18	115	255	163	000
095 ⇔ 099	Color 19	006	255	143	000
100 ⇔ 104	Color 20	000	255	094	000
105 ⇔ 109	Color 21	029	255	000	000
110 ⇔ 114	Color 22	032	223	000	000
115 ⇔ 119	Color 23	075	255	000	000
120 ⇔ 124	Color 24	080	232	000	000
125 ⇔ 129	Color 25	108	226	000	000
130 ⇔ 134	Color 26	145	194	000	000
135 ⇔ 139	Color 27	210	255	000	000
140 ⇔ 144	Color 28	225	232	000	000
145 ⇔ 149	Color 29	023	215	000	000
150 ⇔ 154	Color 30	247	214	000	000
155 ⇔ 159	Color 31	255	163	000	000
160 ⇔ 164	Color 32	255	152	000	000
165 ⇔ 169	Color 33	255	108	000	000
170 ⇔ 174	Color 34	255	255	255	255

Background Color Chart

DMX Value	Function	Red Value	Green Value	Blue Value	White Value
001 ⇔ 002	2700K white	156	118	000	063
003 ⇔ 004	3200K white	156	141	005	089
005 ⇔ 006	4200K white	156	141	014	255
007 ⇔ 008	5600K white	156	207	054	255
009 ⇔ 010	8000K white	130	255	096	255
011	Blue	000	000	255	000
012 ⇔ 048	Green increases	000	001–254	255	000
049	Cyan	000	255	255	000
050 ⇔ 086	Blue decreases	000	255	254–001	000
87	Green	000	255	000	000
088 ⇔ 124	Red increases	001–254	255	000	000
125	Yellow	255	255	000	000
126 ⇔ 162	Green decreases	255	254–001	000	000
163	Red	255	000	000	000
164 ⇔ 200	Blue increases	255	000	001–254	000
201	Magenta	255	000	255	000
202 ⇔ 238	Red decreases	254–001	000	255	000
239	Blue	000	000	255	000

135CH

Channel	Function	Value	Percent/Setting
1	Pan	000 ⇔ 255	0–100%
2	Fine pan	000 ⇔ 255	Fine control (16-bit)
3	Tilt	000 ⇔ 255	0–100%
4	Fine tilt	000 ⇔ 255	Fine control (16-bit)
5	Pan/tilt speed	000 ⇔ 255	Fast to slow
6	CTC	000	No function
		001 ⇔ 255	Color temperature, 19000–2700K
7	Ring preset color	000 ⇔ 004	No function
		005 ⇔ 174	Color 1–34 (see Preset Color Chart [no white])
		175 ⇔ 179	No function
		180 ⇔ 201	Color fade, fast to slow
		202 ⇔ 207	Stop
		208 ⇔ 229	Reverse color fade, fast to slow
		230 ⇔ 234	No function
		235 ⇔ 249	Color jump, fast to slow
8	Center preset color	000 ⇔ 004	No function
		005 ⇔ 174	Color 1–34 (see Preset Color Chart)
		175 ⇔ 179	No function
		180 ⇔ 201	Color fade, fast to slow
		202 ⇔ 207	Stop
		208 ⇔ 229	Reverse color fade, fast to slow
		230 ⇔ 234	No function
		235 ⇔ 249	Color jump, fast to slow
9	Pattern	000	No function
		001 ⇔ 255	Pattern 1–255

Operation

Channel	Function	Value	Percent/Setting
10	LED macro	000 ⇄ 005	No function
		006 ⇄ 010	LED macro 1
		011 ⇄ 015	LED macro 2
		016 ⇄ 020	LED macro 3
		021 ⇄ 025	LED macro 4
		026 ⇄ 030	LED macro 5
		031 ⇄ 035	LED macro 6
		036 ⇄ 040	LED macro 7
		041 ⇄ 045	LED macro 8
		046 ⇄ 050	LED macro 9
		051 ⇄ 055	LED macro 10
		056 ⇄ 060	LED macro 11
		061 ⇄ 065	LED macro 12
		066 ⇄ 070	LED macro 13
		071 ⇄ 075	LED macro 14
		076 ⇄ 080	LED macro 15
		081 ⇄ 085	LED macro 16
		086 ⇄ 090	LED macro 17
		091 ⇄ 095	LED macro 18
		096 ⇄ 100	LED macro 19
		101 ⇄ 105	LED macro 20
		106 ⇄ 110	LED macro 21
		111 ⇄ 115	LED macro 22
		116 ⇄ 120	LED macro 23
		121 ⇄ 125	LED macro 24
		126 ⇄ 130	LED macro 25
		131 ⇄ 135	LED macro 26
		136 ⇄ 140	LED macro 27
		141 ⇄ 145	LED macro 28
		146 ⇄ 150	LED macro 29
		151 ⇄ 155	LED macro 30
		156 ⇄ 160	LED macro 31
		161 ⇄ 165	LED macro 32
166 ⇄ 170	LED macro 33		
171 ⇄ 175	LED macro 34		
176 ⇄ 180	LED macro 35		
181 ⇄ 185	LED macro 36		
186 ⇄ 190	LED macro 37		
191 ⇄ 195	LED macro 38		
199 ⇄ 200	LED macro 39		
201 ⇄ 205	LED macro 40		
206 ⇄ 210	LED macro 41		
211 ⇄ 215	LED macro 42		
216 ⇄ 255	No function		
11	LED macro speed	000 ⇄ 127	LED macro speed, fast to slow
		128	Stop
		129 ⇄ 255	Reverse LED macro, slow to fast
12	LED macro delay	000 ⇄ 255	LED macro delay, fast to slow
13	Background color	000	No function
		001 ⇄ 239	Background colors (see Background Color Chart)
		240 ⇄ 247	Color fade, fast to slow
		248 ⇄ 255	Color jump, fast to slow
14	Background dimmer	000 ⇄ 255	0–100%
15	Bg. fine dimmer	000 ⇄ 255	Fine control (16-bit)

Channel	Function	Value	Percent/Setting
16	Master dimmer	000 ⇄ 255	0–100%
17	Master fine dimmer	000 ⇄ 255	Fine control (16-bit)
18	Ring strobe	000 ⇄ 019	Off
		020 ⇄ 024	On
		025 ⇄ 069	Strobe, fast to slow
		070 ⇄ 089	Fading strobe 100–0%, fast to slow
		090 ⇄ 109	Fading strobe 0–100%, fast to slow
		110 ⇄ 129	Random strobe, fast to slow
		130 ⇄ 149	Random fading strobe 100–0%, fast to slow
		150 ⇄ 169	Random fading strobe 0–100%, fast to slow
		170 ⇄ 189	Pulse strobe, fast to slow
		190 ⇄ 209	Random pulse strobe, fast to slow
		210 ⇄ 229	Fading strobe 100–0–100%, fast to slow
		230 ⇄ 244	Random pulse strobe, fast to slow
19	Center strobe	245 ⇄ 255	On
		000 ⇄ 019	Off
		020 ⇄ 024	On
		025 ⇄ 069	Strobe, fast to slow
		070 ⇄ 089	Fading strobe 100–0%, fast to slow
		090 ⇄ 109	Fading strobe 0–100%, fast to slow
		110 ⇄ 129	Random strobe, fast to slow
		130 ⇄ 149	Random fading strobe 100–0%, fast to slow
20	Zoom	150 ⇄ 169	Random fading strobe 0–100%, fast to slow
		170 ⇄ 189	Pulse strobe, fast to slow
		190 ⇄ 209	Random pulse strobe, fast to slow
		210 ⇄ 229	Fading strobe 100–0–100%, fast to slow
		230 ⇄ 244	Random pulse strobe, fast to slow
		245 ⇄ 255	On
		000 ⇄ 255	Zoom in to zoom out

Operation

Channel	Function	Value	Percent/Setting
21	Control (*Activates in 5 seconds)	000 ⇄ 009	No function
		010 ⇄ 014	Blackout on pan/tilt
		015 ⇄ 029	Reserved for future use
		030 ⇄ 034	Synchronize ring and center LEDs*
		035 ⇄ 039	De-synchronize ring and center LEDs*
		040 ⇄ 044	Defrost fan on
		045 ⇄ 049	Defrost fan off
		050 ⇄ 054	Reset pan*
		055 ⇄ 059	Reset tilt*
		060 ⇄ 064	Reset zoom
		065 ⇄ 069	Reserved for future use
		070 ⇄ 074	Reset all*
		075 ⇄ 119	Reserved for future use
		120 ⇄ 124	Fan mode ECO*
		125 ⇄ 129	Fan mode Full*
		130 ⇄ 134	Fan mode Auto*
		135 ⇄ 139	Dimmer mode fast*
		140 ⇄ 144	Dimmer mode smooth*
		145 ⇄ 149	Linear dimmer curve
		150 ⇄ 154	Square dimmer curve
		155 ⇄ 159	Inverse square dimmer curve
		160 ⇄ 164	S-curve dimmer curve
		165 ⇄ 169	WHITE mode
		170 ⇄ 174	FULL mode
175 ⇄ 179	Single-color calibration off		
180 ⇄ 184	Single-color calibration on		
185 ⇄ 239	No function		
240 ⇄ 247	Calibration on		
248 ⇄ 255	Calibration off		
22	Red	000 ⇄ 255	0–100%
23	Fine red	000 ⇄ 255	Fine control (16-bit)
24	Green	000 ⇄ 255	0–100%
25	Fine green	000 ⇄ 255	Fine control (16-bit)
26	Blue	000 ⇄ 255	0–100%
27	Fine blue	000 ⇄ 255	Fine control (16-bit)
28	White	000 ⇄ 255	0–100%
29	Fine white	000 ⇄ 255	Fine control (16-bit)
30	Dimmer 1	000 ⇄ 255	0–100%
31	Fine dimmer 1	000 ⇄ 255	Fine control (16-bit)
32	Red 1	000 ⇄ 255	0–100%
33	Fine red 1	000 ⇄ 255	Fine control (16-bit)
34	Green 1	000 ⇄ 255	0–100%
35	Fine green 1	000 ⇄ 255	Fine control (16-bit)
36	Blue 1	000 ⇄ 255	0–100%
37	Fine blue 1	000 ⇄ 255	Fine control (16-bit)
38	Dimmer 2	000 ⇄ 255	0–100%
39	Fine dimmer 2	000 ⇄ 255	Fine control (16-bit)
40	Red 2	000 ⇄ 255	0–100%
41	Fine red 2	000 ⇄ 255	Fine control (16-bit)
42	Green 2	000 ⇄ 255	0–100%
43	Fine green 2	000 ⇄ 255	Fine control (16-bit)
44	Blue 2	000 ⇄ 255	0–100%
45	Fine blue 2	000 ⇄ 255	Fine control (16-bit)
46	Dimmer 3	000 ⇄ 255	0–100%

Channel	Function	Value	Percent/Setting
47	Fine dimmer 3	000 ⇄ 255	Fine control (16-bit)
48	Red 3	000 ⇄ 255	0–100%
49	Fine red 3	000 ⇄ 255	Fine control (16-bit)
50	Green 3	000 ⇄ 255	0–100%
51	Fine green 3	000 ⇄ 255	Fine control (16-bit)
52	Blue 3	000 ⇄ 255	0–100%
53	Fine blue 3	000 ⇄ 255	Fine control (16-bit)
54	Dimmer 4	000 ⇄ 255	0–100%
55	Fine dimmer 4	000 ⇄ 255	Fine control (16-bit)
56	Red 4	000 ⇄ 255	0–100%
57	Fine red 4	000 ⇄ 255	Fine control (16-bit)
58	Green 4	000 ⇄ 255	0–100%
59	Fine green 4	000 ⇄ 255	Fine control (16-bit)
60	Blue 4	000 ⇄ 255	0–100%
61	Fine blue 4	000 ⇄ 255	Fine control (16-bit)
62	Dimmer 5	000 ⇄ 255	0–100%
63	Fine dimmer 5	000 ⇄ 255	Fine control (16-bit)
64	Red 5	000 ⇄ 255	0–100%
65	Fine red 5	000 ⇄ 255	Fine control (16-bit)
66	Green 5	000 ⇄ 255	0–100%
67	Fine green 5	000 ⇄ 255	Fine control (16-bit)
68	Blue 5	000 ⇄ 255	0–100%
69	Fine blue 5	000 ⇄ 255	Fine control (16-bit)
70	Dimmer 6	000 ⇄ 255	0–100%
71	Fine dimmer 6	000 ⇄ 255	Fine control (16-bit)
72	Red 6	000 ⇄ 255	0–100%
73	Fine red 6	000 ⇄ 255	Fine control (16-bit)
74	Green 6	000 ⇄ 255	0–100%
75	Fine green 6	000 ⇄ 255	Fine control (16-bit)
76	Blue 6	000 ⇄ 255	0–100%
77	Fine blue 6	000 ⇄ 255	Fine control (16-bit)
78	Dimmer 7	000 ⇄ 255	0–100%
79	Fine dimmer 7	000 ⇄ 255	Fine control (16-bit)
80	Red 7	000 ⇄ 255	0–100%
81	Fine red 7	000 ⇄ 255	Fine control (16-bit)
82	Green 7	000 ⇄ 255	0–100%
83	Fine green 7	000 ⇄ 255	Fine control (16-bit)
84	Blue 7	000 ⇄ 255	0–100%
85	Fine blue 7	000 ⇄ 255	Fine control (16-bit)
86	Dimmer 8	000 ⇄ 255	0–100%
87	Fine dimmer 8	000 ⇄ 255	Fine control (16-bit)
88	Red 8	000 ⇄ 255	0–100%
89	Fine red 8	000 ⇄ 255	Fine control (16-bit)
90	Green 8	000 ⇄ 255	0–100%
91	Fine green 8	000 ⇄ 255	Fine control (16-bit)
92	Blue 8	000 ⇄ 255	0–100%
93	Fine blue 8	000 ⇄ 255	Fine control (16-bit)
94	Dimmer 9	000 ⇄ 255	0–100%
95	Fine dimmer 9	000 ⇄ 255	Fine control (16-bit)
96	Red 9	000 ⇄ 255	0–100%
97	Fine red 9	000 ⇄ 255	Fine control (16-bit)
98	Green 9	000 ⇄ 255	0–100%
99	Fine green 9	000 ⇄ 255	Fine control (16-bit)
100	Blue 9	000 ⇄ 255	0–100%

Operation

Channel	Function	Value	Percent/Setting
101	Fine blue 9	000 ⇄ 255	Fine control (16-bit)
102	Dimmer 10	000 ⇄ 255	0–100%
103	Fine dimmer 10	000 ⇄ 255	Fine control (16-bit)
104	Red 10	000 ⇄ 255	0–100%
105	Fine red 10	000 ⇄ 255	Fine control (16-bit)
106	Green 10	000 ⇄ 255	0–100%
107	Fine green 10	000 ⇄ 255	Fine control (16-bit)
108	Blue 10	000 ⇄ 255	0–100%
109	Fine blue 10	000 ⇄ 255	Fine control (16-bit)
110	Dimmer 11	000 ⇄ 255	0–100%
111	Fine dimmer 11	000 ⇄ 255	Fine control (16-bit)
112	Red 11	000 ⇄ 255	0–100%
113	Fine red 11	000 ⇄ 255	Fine control (16-bit)
114	Green 11	000 ⇄ 255	0–100%
115	Fine green 11	000 ⇄ 255	Fine control (16-bit)
116	Blue 11	000 ⇄ 255	0–100%
117	Fine blue 11	000 ⇄ 255	Fine control (16-bit)
118	Dimmer 12	000 ⇄ 255	0–100%
119	Fine dimmer 12	000 ⇄ 255	Fine control (16-bit)
120	Red 12	000 ⇄ 255	0–100%
121	Fine red 12	000 ⇄ 255	Fine control (16-bit)
122	Green 12	000 ⇄ 255	0–100%
123	Fine green 12	000 ⇄ 255	Fine control (16-bit)
124	Blue 12	000 ⇄ 255	0–100%
125	Fine blue 12	000 ⇄ 255	Fine control (16-bit)
126	Center dimmer	000 ⇄ 255	0–100%
127	Center fine dimmer	000 ⇄ 255	Fine control (16-bit)
128	Center red	000 ⇄ 255	0–100%
129	Center fine red	000 ⇄ 255	Fine control (16-bit)
130	Center green	000 ⇄ 255	0–100%
131	Center fine green	000 ⇄ 255	Fine control (16-bit)
132	Center blue	000 ⇄ 255	0–100%
133	Center fine blue	000 ⇄ 255	Fine control (16-bit)
134	Center white	000 ⇄ 255	0–100%
135	Center fine white	000 ⇄ 255	Fine control (16-bit)

111CH

Channel	Function	Value	Percent/Setting
1	Pan	000 ⇔ 255	0–100%
2	Fine pan	000 ⇔ 255	Fine control (16-bit)
3	Tilt	000 ⇔ 255	0–100%
4	Fine tilt	000 ⇔ 255	Fine control (16-bit)
5	Pan/tilt speed	000 ⇔ 255	Fast to slow
6	CTC	000	No function
		001 ⇔ 255	Color temperature, 19000–2700K
7	Ring preset color	000 ⇔ 004	No function
		005 ⇔ 174	Color 1–34 (see Preset Color Chart [no white])
		175 ⇔ 179	No function
		180 ⇔ 201	Color fade, fast to slow
		202 ⇔ 207	Stop
		208 ⇔ 229	Reverse color fade, fast to slow
		230 ⇔ 234	No function
		235 ⇔ 249	Color jump, fast to slow
8	Center preset color	000 ⇔ 004	No function
		005 ⇔ 174	Color 1–34 (see Preset Color Chart)
		175 ⇔ 179	No function
		180 ⇔ 201	Color fade, fast to slow
		202 ⇔ 207	Stop
		208 ⇔ 229	Reverse color fade, fast to slow
		230 ⇔ 234	No function
		235 ⇔ 249	Color jump, fast to slow
9	Pattern	000	No function
		001 ⇔ 255	Pattern 1–255

Operation

Channel	Function	Value	Percent/Setting
10	LED macro	000 ⇄ 005	No function
		006 ⇄ 010	LED macro 1
		011 ⇄ 015	LED macro 2
		016 ⇄ 020	LED macro 3
		021 ⇄ 025	LED macro 4
		026 ⇄ 030	LED macro 5
		031 ⇄ 035	LED macro 6
		036 ⇄ 040	LED macro 7
		041 ⇄ 045	LED macro 8
		046 ⇄ 050	LED macro 9
		051 ⇄ 055	LED macro 10
		056 ⇄ 060	LED macro 11
		061 ⇄ 065	LED macro 12
		066 ⇄ 070	LED macro 13
		071 ⇄ 075	LED macro 14
		076 ⇄ 080	LED macro 15
		081 ⇄ 085	LED macro 16
		086 ⇄ 090	LED macro 17
		091 ⇄ 095	LED macro 18
		096 ⇄ 100	LED macro 19
		101 ⇄ 105	LED macro 20
		106 ⇄ 110	LED macro 21
		111 ⇄ 115	LED macro 22
		116 ⇄ 120	LED macro 23
		121 ⇄ 125	LED macro 24
		126 ⇄ 130	LED macro 25
		131 ⇄ 135	LED macro 26
		136 ⇄ 140	LED macro 27
		141 ⇄ 145	LED macro 28
		146 ⇄ 150	LED macro 29
		151 ⇄ 155	LED macro 30
		156 ⇄ 160	LED macro 31
161 ⇄ 165	LED macro 32		
166 ⇄ 170	LED macro 33		
171 ⇄ 175	LED macro 34		
176 ⇄ 180	LED macro 35		
181 ⇄ 185	LED macro 36		
186 ⇄ 190	LED macro 37		
191 ⇄ 195	LED macro 38		
199 ⇄ 200	LED macro 39		
201 ⇄ 205	LED macro 40		
206 ⇄ 210	LED macro 41		
211 ⇄ 215	LED macro 42		
216 ⇄ 255	No function		
11	LED macro speed	000 ⇄ 127	LED macro speed, fast to slow
		128	Stop
		129 ⇄ 255	Reverse LED macro, slow to fast
12	LED macro delay	000 ⇄ 255	LED macro delay, fast to slow
13	Background color	000	No function
		001 ⇄ 239	Background colors (see Background Color Chart)
		240 ⇄ 247	Color fade, fast to slow
		248 ⇄ 255	Color jump, fast to slow
14	Background dimmer	000 ⇄ 255	0–100%
15	Bg. fine dimmer	000 ⇄ 255	Fine control (16-bit)

Channel	Function	Value	Percent/Setting
16	Ring dimmer	000 ⇄ 255	0–100%
17	Ring fine dimmer	000 ⇄ 255	Fine control (16-bit)
18	Center dimmer	000 ⇄ 255	0–100%
19	Center fine dimmer	000 ⇄ 255	Fine control (16-bit)
20	Ring strobe	000 ⇄ 019	Off
		020 ⇄ 024	On
		025 ⇄ 069	Strobe, fast to slow
		070 ⇄ 089	Fading strobe 100–0%, fast to slow
		090 ⇄ 109	Fading strobe 0–100%, fast to slow
		110 ⇄ 129	Random strobe, fast to slow
		130 ⇄ 149	Random fading strobe 100–0%, fast to slow
		150 ⇄ 169	Random fading strobe 0–100%, fast to slow
		170 ⇄ 189	Pulse strobe, fast to slow
		190 ⇄ 209	Random pulse strobe, fast to slow
		210 ⇄ 229	Fading strobe 100–0–100%, fast to slow
		230 ⇄ 244	Random pulse strobe, fast to slow
		245 ⇄ 255	On
21	Center strobe	000 ⇄ 019	Off
		020 ⇄ 024	On
		025 ⇄ 069	Strobe, fast to slow
		070 ⇄ 089	Fading strobe 100–0%, fast to slow
		090 ⇄ 109	Fading strobe 0–100%, fast to slow
		110 ⇄ 129	Random strobe, fast to slow
		130 ⇄ 149	Random fading strobe 100–0%, fast to slow
		150 ⇄ 169	Random fading strobe 0–100%, fast to slow
		170 ⇄ 189	Pulse strobe, fast to slow
		190 ⇄ 209	Random pulse strobe, fast to slow
		210 ⇄ 229	Fading strobe 100–0–100%, fast to slow
		230 ⇄ 244	Random pulse strobe, fast to slow
		245 ⇄ 255	On
22	Zoom	000 ⇄ 255	Zoom in to zoom out

Operation

Channel	Function	Value	Percent/Setting
23	Control (*Activates in 5 seconds)	000 ⇄ 009	No function
		010 ⇄ 014	Blackout on pan/tilt
		015 ⇄ 029	Reserved for future use
		030 ⇄ 034	Synchronize ring and center LEDs*
		035 ⇄ 039	De-synchronize ring and center LEDs*
		040 ⇄ 044	Defrost fan on
		045 ⇄ 049	Defrost fan off
		050 ⇄ 054	Reset pan*
		055 ⇄ 059	Reset tilt*
		060 ⇄ 064	Reset zoom
		065 ⇄ 069	Reserved for future use
		070 ⇄ 074	Reset all*
		075 ⇄ 119	Reserved for future use
		120 ⇄ 124	Fan mode ECO*
		125 ⇄ 129	Fan mode Full*
		130 ⇄ 134	Fan mode Auto*
		135 ⇄ 139	Dimmer mode fast*
		140 ⇄ 144	Dimmer mode smooth*
		145 ⇄ 149	Linear dimmer curve
		150 ⇄ 154	Square dimmer curve
		155 ⇄ 159	Inverse square dimmer curve
		160 ⇄ 164	S-curve dimmer curve
		165 ⇄ 169	WHITE mode
170 ⇄ 174	FULL mode		
175 ⇄ 179	Single-color calibration off		
180 ⇄ 184	Single-color calibration on		
185 ⇄ 239	No function		
240 ⇄ 247	Calibration on		
248 ⇄ 255	Calibration off		
24	Red	000 ⇄ 255	0–100%
25	Fine red	000 ⇄ 255	Fine control (16-bit)
26	Green	000 ⇄ 255	0–100%
27	Fine green	000 ⇄ 255	Fine control (16-bit)
28	Blue	000 ⇄ 255	0–100%
29	Fine blue	000 ⇄ 255	Fine control (16-bit)
30	White	000 ⇄ 255	0–100%
31	Fine white	000 ⇄ 255	Fine control (16-bit)
32	Red 1	000 ⇄ 255	0–100%
33	Fine red 1	000 ⇄ 255	Fine control (16-bit)
34	Green 1	000 ⇄ 255	0–100%
35	Fine green 1	000 ⇄ 255	Fine control (16-bit)
36	Blue 1	000 ⇄ 255	0–100%
37	Fine blue 1	000 ⇄ 255	Fine control (16-bit)
38	Red 2	000 ⇄ 255	0–100%
39	Fine red 2	000 ⇄ 255	Fine control (16-bit)
40	Green 2	000 ⇄ 255	0–100%
41	Fine green 2	000 ⇄ 255	Fine control (16-bit)
42	Blue 2	000 ⇄ 255	0–100%
43	Fine blue 2	000 ⇄ 255	Fine control (16-bit)
44	Red 3	000 ⇄ 255	0–100%
45	Fine red 3	000 ⇄ 255	Fine control (16-bit)
46	Green 3	000 ⇄ 255	0–100%
47	Fine green 3	000 ⇄ 255	Fine control (16-bit)
48	Blue 3	000 ⇄ 255	0–100%

Channel	Function	Value	Percent/Setting
49	Fine blue 3	000 ⇄ 255	Fine control (16-bit)
50	Red 4	000 ⇄ 255	0–100%
51	Fine red 4	000 ⇄ 255	Fine control (16-bit)
52	Green 4	000 ⇄ 255	0–100%
53	Fine green 4	000 ⇄ 255	Fine control (16-bit)
54	Blue 4	000 ⇄ 255	0–100%
55	Fine blue 4	000 ⇄ 255	Fine control (16-bit)
56	Red 5	000 ⇄ 255	0–100%
57	Fine red 5	000 ⇄ 255	Fine control (16-bit)
58	Green 5	000 ⇄ 255	0–100%
59	Fine green 5	000 ⇄ 255	Fine control (16-bit)
60	Blue 5	000 ⇄ 255	0–100%
61	Fine blue 5	000 ⇄ 255	Fine control (16-bit)
62	Red 6	000 ⇄ 255	0–100%
63	Fine red 6	000 ⇄ 255	Fine control (16-bit)
64	Green 6	000 ⇄ 255	0–100%
65	Fine green 6	000 ⇄ 255	Fine control (16-bit)
66	Blue 6	000 ⇄ 255	0–100%
67	Fine blue 6	000 ⇄ 255	Fine control (16-bit)
68	Red 7	000 ⇄ 255	0–100%
69	Fine red 7	000 ⇄ 255	Fine control (16-bit)
70	Green 7	000 ⇄ 255	0–100%
71	Fine green 7	000 ⇄ 255	Fine control (16-bit)
72	Blue 7	000 ⇄ 255	0–100%
73	Fine blue 7	000 ⇄ 255	Fine control (16-bit)
74	Red 8	000 ⇄ 255	0–100%
75	Fine red 8	000 ⇄ 255	Fine control (16-bit)
76	Green 8	000 ⇄ 255	0–100%
77	Fine green 8	000 ⇄ 255	Fine control (16-bit)
78	Blue 8	000 ⇄ 255	0–100%
79	Fine blue 8	000 ⇄ 255	Fine control (16-bit)
80	Red 9	000 ⇄ 255	0–100%
81	Fine red 9	000 ⇄ 255	Fine control (16-bit)
82	Green 9	000 ⇄ 255	0–100%
83	Fine green 9	000 ⇄ 255	Fine control (16-bit)
84	Blue 9	000 ⇄ 255	0–100%
85	Fine blue 9	000 ⇄ 255	Fine control (16-bit)
86	Red 10	000 ⇄ 255	0–100%
87	Fine red 10	000 ⇄ 255	Fine control (16-bit)
88	Green 10	000 ⇄ 255	0–100%
89	Fine green 10	000 ⇄ 255	Fine control (16-bit)
90	Blue 10	000 ⇄ 255	0–100%
91	Fine blue 10	000 ⇄ 255	Fine control (16-bit)
92	Red 11	000 ⇄ 255	0–100%
93	Fine red 11	000 ⇄ 255	Fine control (16-bit)
94	Green 11	000 ⇄ 255	0–100%
95	Fine green 11	000 ⇄ 255	Fine control (16-bit)
96	Blue 11	000 ⇄ 255	0–100%
97	Fine blue 11	000 ⇄ 255	Fine control (16-bit)
98	Red 12	000 ⇄ 255	0–100%
99	Fine red 12	000 ⇄ 255	Fine control (16-bit)
100	Green 12	000 ⇄ 255	0–100%
101	Fine green 12	000 ⇄ 255	Fine control (16-bit)
102	Blue 12	000 ⇄ 255	0–100%

Operation

Channel	Function	Value	Percent/Setting
103	Fine blue 12	000 ⇔ 255	Fine control (16-bit)
104	Center red	000 ⇔ 255	0–100%
105	Center fine red	000 ⇔ 255	Fine control (16-bit)
106	Center green	000 ⇔ 255	0–100%
107	Center fine green	000 ⇔ 255	Fine control (16-bit)
108	Center blue	000 ⇔ 255	0–100%
109	Center fine blue	000 ⇔ 255	Fine control (16-bit)
110	Center white	000 ⇔ 255	0–100%
111	Center fine white	000 ⇔ 255	Fine control (16-bit)

64CH

Channel	Function	Value	Percent/Setting
1	Pan	000 ⇔ 255	0–100%
2	Fine pan	000 ⇔ 255	Fine control (16-bit)
3	Tilt	000 ⇔ 255	0–100%
4	Fine tilt	000 ⇔ 255	Fine control (16-bit)
5	Pan/tilt speed	000 ⇔ 255	Fast to slow
6	CTC	000	No function
		001 ⇔ 255	Color temperature, 19000–2700K
7	Ring preset color	000 ⇔ 004	No function
		005 ⇔ 174	Color 1–34 (see Preset Color Chart [no white])
		175 ⇔ 179	No function
		180 ⇔ 201	Color fade, fast to slow
		202 ⇔ 207	Stop
		208 ⇔ 229	Reverse color fade, fast to slow
		230 ⇔ 234	No function
		235 ⇔ 249	Color jump, fast to slow
250 ⇔ 255	No function		
8	Center preset color	000 ⇔ 004	No function
		005 ⇔ 174	Color 1–34 (see Preset Color Chart)
		175 ⇔ 179	No function
		180 ⇔ 201	Color fade, fast to slow
		202 ⇔ 207	Stop
		208 ⇔ 229	Reverse color fade, fast to slow
		230 ⇔ 234	No function
		235 ⇔ 249	Color jump, fast to slow
250 ⇔ 255	No function		
9	Pattern	000	No function
		001 ⇔ 255	Pattern 1–255

Channel	Function	Value	Percent/Setting
10	LED macro	000 ⇄ 005	No function
		006 ⇄ 010	LED macro 1
		011 ⇄ 015	LED macro 2
		016 ⇄ 020	LED macro 3
		021 ⇄ 025	LED macro 4
		026 ⇄ 030	LED macro 5
		031 ⇄ 035	LED macro 6
		036 ⇄ 040	LED macro 7
		041 ⇄ 045	LED macro 8
		046 ⇄ 050	LED macro 9
		051 ⇄ 055	LED macro 10
		056 ⇄ 060	LED macro 11
		061 ⇄ 065	LED macro 12
		066 ⇄ 070	LED macro 13
		071 ⇄ 075	LED macro 14
		076 ⇄ 080	LED macro 15
		081 ⇄ 085	LED macro 16
		086 ⇄ 090	LED macro 17
		091 ⇄ 095	LED macro 18
		096 ⇄ 100	LED macro 19
		101 ⇄ 105	LED macro 20
		106 ⇄ 110	LED macro 21
		111 ⇄ 115	LED macro 22
		116 ⇄ 120	LED macro 23
		121 ⇄ 125	LED macro 24
		126 ⇄ 130	LED macro 25
		131 ⇄ 135	LED macro 26
		136 ⇄ 140	LED macro 27
		141 ⇄ 145	LED macro 28
		146 ⇄ 150	LED macro 29
		151 ⇄ 155	LED macro 30
		156 ⇄ 160	LED macro 31
161 ⇄ 165	LED macro 32		
166 ⇄ 170	LED macro 33		
171 ⇄ 175	LED macro 34		
176 ⇄ 180	LED macro 35		
181 ⇄ 185	LED macro 36		
186 ⇄ 190	LED macro 37		
191 ⇄ 195	LED macro 38		
199 ⇄ 200	LED macro 39		
201 ⇄ 205	LED macro 40		
206 ⇄ 210	LED macro 41		
211 ⇄ 215	LED macro 42		
216 ⇄ 255	No function		
11	LED macro speed	000 ⇄ 127	LED macro speed, fast to slow
		128	Stop
		129 ⇄ 255	Reverse LED macro, slow to fast
12	LED macro delay	000 ⇄ 255	LED macro delay, fast to slow
13	Background color	000	No function
		001 ⇄ 239	Background colors (see Background Color Chart)
		240 ⇄ 247	Color fade, fast to slow
		248 ⇄ 255	Color jump, fast to slow
14	Background dimmer	000 ⇄ 255	0–100%
15	Ring dimmer	000 ⇄ 255	0–100%

Operation

Channel	Function	Value	Percent/Setting
16	Center dimmer	000 ⇄ 255	0–100%
17	Ring strobe	000 ⇄ 019 020 ⇄ 024 025 ⇄ 069 070 ⇄ 089 090 ⇄ 109 110 ⇄ 129 130 ⇄ 149 150 ⇄ 169 170 ⇄ 189 190 ⇄ 209 210 ⇄ 229 230 ⇄ 244 245 ⇄ 255	Off On Strobe, fast to slow Fading strobe 100–0%, fast to slow Fading strobe 0–100%, fast to slow Random strobe, fast to slow Random fading strobe 100–0%, fast to slow Random fading strobe 0–100%, fast to slow Pulse strobe, fast to slow Random pulse strobe, fast to slow Fading strobe 100–0–100%, fast to slow Random pulse strobe, fast to slow On
18	Center strobe	000 ⇄ 019 020 ⇄ 024 025 ⇄ 069 070 ⇄ 089 090 ⇄ 109 110 ⇄ 129 130 ⇄ 149 150 ⇄ 169 170 ⇄ 189 190 ⇄ 209 210 ⇄ 229 230 ⇄ 244 245 ⇄ 255	Off On Strobe, fast to slow Fading strobe 100–0%, fast to slow Fading strobe 0–100%, fast to slow Random strobe, fast to slow Random fading strobe 100–0%, fast to slow Random fading strobe 0–100%, fast to slow Pulse strobe, fast to slow Random pulse strobe, fast to slow Fading strobe 100–0–100%, fast to slow Random pulse strobe, fast to slow On
19	Zoom	000 ⇄ 255	Zoom in to zoom out

Channel	Function	Value	Percent/Setting
20	Control (*Activates in 5 seconds)	000 ⇄ 009	No function
		010 ⇄ 014	Blackout on pan/tilt
		015 ⇄ 029	Reserved for future use
		030 ⇄ 034	Synchronize ring and center LEDs*
		035 ⇄ 039	De-synchronize ring and center LEDs*
		040 ⇄ 044	Defrost fan on
		045 ⇄ 049	Defrost fan off
		050 ⇄ 054	Reset pan*
		055 ⇄ 059	Reset tilt*
		060 ⇄ 064	Reset zoom
		065 ⇄ 069	Reserved for future use
		050 ⇄ 074	Reset all*
		075 ⇄ 119	Reserved for future use
		120 ⇄ 124	Fan mode ECO*
		125 ⇄ 129	Fan mode Full*
		130 ⇄ 134	Fan mode Auto*
		135 ⇄ 139	Dimmer mode fast*
		140 ⇄ 144	Dimmer mode smooth*
		145 ⇄ 149	Linear dimmer curve
		150 ⇄ 154	Square dimmer curve
		155 ⇄ 159	Inverse square dimmer curve
		160 ⇄ 164	S-curve dimmer curve
		165 ⇄ 169	WHITE mode
		170 ⇄ 174	FULL mode
175 ⇄ 179	Single-color calibration off		
180 ⇄ 184	Single-color calibration on		
185 ⇄ 239	No function		
240 ⇄ 247	Calibration on		
248 ⇄ 255	Calibration off		
21	Red	000 ⇄ 255	0–100%
22	Green	000 ⇄ 255	0–100%
23	Blue	000 ⇄ 255	0–100%
24	White	000 ⇄ 255	0–100%
25	Red 1	000 ⇄ 255	0–100%
26	Green 1	000 ⇄ 255	0–100%
27	Blue 1	000 ⇄ 255	0–100%
28	Red 2	000 ⇄ 255	0–100%
29	Green 2	000 ⇄ 255	0–100%
30	Blue 2	000 ⇄ 255	0–100%
31	Red 3	000 ⇄ 255	0–100%
32	Green 3	000 ⇄ 255	0–100%
33	Blue 3	000 ⇄ 255	0–100%
34	Red 4	000 ⇄ 255	0–100%
35	Green 4	000 ⇄ 255	0–100%
36	Blue 4	000 ⇄ 255	0–100%
37	Red 5	000 ⇄ 255	0–100%
38	Green 5	000 ⇄ 255	0–100%
39	Blue 5	000 ⇄ 255	0–100%
40	Red 6	000 ⇄ 255	0–100%
41	Green 6	000 ⇄ 255	0–100%
42	Blue 6	000 ⇄ 255	0–100%
43	Red 7	000 ⇄ 255	0–100%
44	Green 7	000 ⇄ 255	0–100%
45	Blue 7	000 ⇄ 255	0–100%

Operation

Channel	Function	Value	Percent/Setting
46	Red 8	000 ⇄ 255	0–100%
47	Green 8	000 ⇄ 255	0–100%
48	Blue 8	000 ⇄ 255	0–100%
49	Red 9	000 ⇄ 255	0–100%
50	Green 9	000 ⇄ 255	0–100%
51	Blue 9	000 ⇄ 255	0–100%
52	Red 10	000 ⇄ 255	0–100%
53	Green 10	000 ⇄ 255	0–100%
54	Blue 10	000 ⇄ 255	0–100%
55	Red 11	000 ⇄ 255	0–100%
56	Green 11	000 ⇄ 255	0–100%
57	Blue 11	000 ⇄ 255	0–100%
58	Red 12	000 ⇄ 255	0–100%
59	Green 12	000 ⇄ 255	0–100%
60	Blue 12	000 ⇄ 255	0–100%
61	Center red	000 ⇄ 255	0–100%
62	Center green	000 ⇄ 255	0–100%
63	Center blue	000 ⇄ 255	0–100%
64	Center white	000 ⇄ 255	0–100%

30CH

Channel	Function	Value	Percent/Setting
1	Pan	000 ⇄ 255	0–100%
2	Fine pan	000 ⇄ 255	Fine control (16-bit)
3	Tilt	000 ⇄ 255	0–100%
4	Fine tilt	000 ⇄ 255	Fine control (16-bit)
5	Pan/tilt speed	000 ⇄ 255	Fast to slow
6	CTC	000	No function
		001 ⇄ 255	Color temperature, 19000–2700K
7	Ring preset color	000 ⇄ 004	No function
		005 ⇄ 174	Color 1–34 (see Preset Color Chart [no white])
		175 ⇄ 179	No function
		180 ⇄ 201	Color fade, fast to slow
		202 ⇄ 207	Stop
		208 ⇄ 229	Reverse color fade, fast to slow
		230 ⇄ 234	No function
		235 ⇄ 249	Color jump, fast to slow
		250 ⇄ 255	No function
8	Center preset color	000 ⇄ 004	No function
		005 ⇄ 174	Color 1–34 (see Preset Color Chart)
		175 ⇄ 179	No function
		180 ⇄ 201	Color fade, fast to slow
		202 ⇄ 207	Stop
		208 ⇄ 229	Reverse color fade, fast to slow
9	Pattern	000	No function
		001 ⇄ 255	Pattern 1–255

Channel	Function	Value	Percent/Setting
10	LED macro	000 ⇄ 005	No function
		006 ⇄ 010	LED macro 1
		011 ⇄ 015	LED macro 2
		016 ⇄ 020	LED macro 3
		021 ⇄ 025	LED macro 4
		026 ⇄ 030	LED macro 5
		031 ⇄ 035	LED macro 6
		036 ⇄ 040	LED macro 7
		041 ⇄ 045	LED macro 8
		046 ⇄ 050	LED macro 9
		051 ⇄ 055	LED macro 10
		056 ⇄ 060	LED macro 11
		061 ⇄ 065	LED macro 12
		066 ⇄ 070	LED macro 13
		071 ⇄ 075	LED macro 14
		076 ⇄ 080	LED macro 15
		081 ⇄ 085	LED macro 16
		086 ⇄ 090	LED macro 17
		091 ⇄ 095	LED macro 18
		096 ⇄ 100	LED macro 19
		101 ⇄ 105	LED macro 20
		106 ⇄ 110	LED macro 21
		111 ⇄ 115	LED macro 22
		116 ⇄ 120	LED macro 23
		121 ⇄ 125	LED macro 24
		126 ⇄ 130	LED macro 25
		131 ⇄ 135	LED macro 26
		136 ⇄ 140	LED macro 27
		141 ⇄ 145	LED macro 28
		146 ⇄ 150	LED macro 29
		151 ⇄ 155	LED macro 30
		156 ⇄ 160	LED macro 31
161 ⇄ 165	LED macro 32		
166 ⇄ 170	LED macro 33		
171 ⇄ 175	LED macro 34		
176 ⇄ 180	LED macro 35		
181 ⇄ 185	LED macro 36		
186 ⇄ 190	LED macro 37		
191 ⇄ 195	LED macro 38		
199 ⇄ 200	LED macro 39		
201 ⇄ 205	LED macro 40		
206 ⇄ 210	LED macro 41		
211 ⇄ 215	LED macro 42		
216 ⇄ 255	No function		
11	LED macro speed	000 ⇄ 127 128 129 ⇄ 255	LED macro speed, fast to slow Stop Reverse LED macro, slow to fast
12	LED macro delay	000 ⇄ 255	LED macro delay, fast to slow
13	Background color	000	No function
		001 ⇄ 239	Background colors (see Background Color Chart)
		240 ⇄ 247 248 ⇄ 255	Color fade, fast to slow Color jump, fast to slow
14	Background dimmer	000 ⇄ 255	0–100%
15	Ring dimmer	000 ⇄ 255	0–100%

Operation

Channel	Function	Value	Percent/Setting
16	Ring fine dimmer	000 ⇄ 255	Fine control (16-bit)
17	Center dimmer	000 ⇄ 255	0–100%
18	Center fine dimmer	000 ⇄ 255	Fine control (16-bit)
19	Ring strobe	000 ⇄ 019	Off
		020 ⇄ 024	On
		025 ⇄ 069	Strobe, fast to slow
		070 ⇄ 089	Fading strobe 100–0%, fast to slow
		090 ⇄ 109	Fading strobe 0–100%, fast to slow
		110 ⇄ 129	Random strobe, fast to slow
		130 ⇄ 149	Random fading strobe 100–0%, fast to slow
		150 ⇄ 169	Random fading strobe 0–100%, fast to slow
		170 ⇄ 189	Pulse strobe, fast to slow
		190 ⇄ 209	Random pulse strobe, fast to slow
		210 ⇄ 229	Fading strobe 100–0–100%, fast to slow
		230 ⇄ 244	Random pulse strobe, fast to slow
		245 ⇄ 255	On
20	Center strobe	000 ⇄ 019	Off
		020 ⇄ 024	On
		025 ⇄ 069	Strobe, fast to slow
		070 ⇄ 089	Fading strobe 100–0%, fast to slow
		090 ⇄ 109	Fading strobe 0–100%, fast to slow
		110 ⇄ 129	Random strobe, fast to slow
		130 ⇄ 149	Random fading strobe 100–0%, fast to slow
		150 ⇄ 169	Random fading strobe 0–100%, fast to slow
		170 ⇄ 189	Pulse strobe, fast to slow
		190 ⇄ 209	Random pulse strobe, fast to slow
		210 ⇄ 229	Fading strobe 100–0–100%, fast to slow
		230 ⇄ 244	Random pulse strobe, fast to slow
		245 ⇄ 255	On
21	Zoom	000 ⇄ 255	Zoom in to zoom out

Channel	Function	Value	Percent/Setting
22	Control (*Activates in 5 seconds)	000 ⇄ 009	No function
		010 ⇄ 014	Blackout on pan/tilt
		015 ⇄ 029	Reserved for future use
		030 ⇄ 034	Synchronize ring and center LEDs*
		035 ⇄ 039	De-synchronize ring and center LEDs*
		040 ⇄ 044	Defrost fan on
		045 ⇄ 049	Defrost fan off
		050 ⇄ 054	Reset pan*
		055 ⇄ 059	Reset tilt*
		060 ⇄ 064	Reset zoom
		065 ⇄ 069	Reserved for future use
		050 ⇄ 074	Reset all*
		075 ⇄ 119	Reserved for future use
		120 ⇄ 124	Fan mode ECO*
		125 ⇄ 129	Fan mode Full*
		130 ⇄ 134	Fan mode Auto*
		135 ⇄ 139	Dimmer mode fast*
		140 ⇄ 144	Dimmer mode smooth*
		145 ⇄ 149	Linear dimmer curve
		150 ⇄ 154	Square dimmer curve
		155 ⇄ 159	Inverse square dimmer curve
		160 ⇄ 164	S-curve dimmer curve
		165 ⇄ 169	WHITE mode
170 ⇄ 174	FULL mode		
175 ⇄ 179	Single-color calibration off		
180 ⇄ 184	Single-color calibration on		
185 ⇄ 239	No function		
240 ⇄ 247	Calibration on		
248 ⇄ 255	Calibration off		
23	Red	000 ⇄ 255	0–100%
24	Fine red	000 ⇄ 255	Fine control (16-bit)
25	Green	000 ⇄ 255	0–100%
26	Fine green	000 ⇄ 255	Fine control (16-bit)
27	Blue	000 ⇄ 255	0–100%
28	Fine blue	000 ⇄ 255	Fine control (16-bit)
29	White	000 ⇄ 255	0–100%
30	Fine white	000 ⇄ 255	Fine control (16-bit)

Operation

24CH

Channel	Function	Value	Percent/Setting
1	Pan	000 ⇔ 255	0–100%
2	Fine pan	000 ⇔ 255	Fine control (16-bit)
3	Tilt	000 ⇔ 255	0–100%
4	Fine tilt	000 ⇔ 255	Fine control (16-bit)
5	Pan/tilt speed	000 ⇔ 255	Fast to slow
6	CTC	000	No function
		001 ⇔ 255	Color temperature, 19000–2700K
7	Ring preset color	000 ⇔ 004	No function
		005 ⇔ 174	Color 1–34 (see Preset Color Chart [no white])
		175 ⇔ 179	No function
		180 ⇔ 201	Color fade, fast to slow
		202 ⇔ 207	Stop
		208 ⇔ 229	Reverse color fade, fast to slow
		230 ⇔ 234	No function
		235 ⇔ 249	Color jump, fast to slow
		250 ⇔ 255	No function
8	Center preset color	000 ⇔ 004	No function
		005 ⇔ 174	Color 1–34 (see Preset Color Chart)
		175 ⇔ 179	No function
		180 ⇔ 201	Color fade, fast to slow
		202 ⇔ 207	Stop
		208 ⇔ 229	Reverse color fade, fast to slow
		230 ⇔ 234	No function
		235 ⇔ 249	Color jump, fast to slow
9	Pattern	000	No function
		001 ⇔ 255	Pattern 1–255

Channel	Function	Value	Percent/Setting
10	LED macro	000 ⇄ 005	No function
		006 ⇄ 010	LED macro 1
		011 ⇄ 015	LED macro 2
		016 ⇄ 020	LED macro 3
		021 ⇄ 025	LED macro 4
		026 ⇄ 030	LED macro 5
		031 ⇄ 035	LED macro 6
		036 ⇄ 040	LED macro 7
		041 ⇄ 045	LED macro 8
		046 ⇄ 050	LED macro 9
		051 ⇄ 055	LED macro 10
		056 ⇄ 060	LED macro 11
		061 ⇄ 065	LED macro 12
		066 ⇄ 070	LED macro 13
		071 ⇄ 075	LED macro 14
		076 ⇄ 080	LED macro 15
		081 ⇄ 085	LED macro 16
		086 ⇄ 090	LED macro 17
		091 ⇄ 095	LED macro 18
		096 ⇄ 100	LED macro 19
		101 ⇄ 105	LED macro 20
		106 ⇄ 110	LED macro 21
		111 ⇄ 115	LED macro 22
		116 ⇄ 120	LED macro 23
		121 ⇄ 125	LED macro 24
		126 ⇄ 130	LED macro 25
		131 ⇄ 135	LED macro 26
		136 ⇄ 140	LED macro 27
		141 ⇄ 145	LED macro 28
		146 ⇄ 150	LED macro 29
		151 ⇄ 155	LED macro 30
		156 ⇄ 160	LED macro 31
161 ⇄ 165	LED macro 32		
166 ⇄ 170	LED macro 33		
171 ⇄ 175	LED macro 34		
176 ⇄ 180	LED macro 35		
181 ⇄ 185	LED macro 36		
186 ⇄ 190	LED macro 37		
191 ⇄ 195	LED macro 38		
199 ⇄ 200	LED macro 39		
201 ⇄ 205	LED macro 40		
206 ⇄ 210	LED macro 41		
211 ⇄ 215	LED macro 42		
216 ⇄ 255	No function		
11	LED macro speed	000 ⇄ 127	LED macro speed, fast to slow
		128	Stop
		129 ⇄ 255	Reverse LED macro, slow to fast
12	LED macro delay	000 ⇄ 255	LED macro delay, fast to slow
13	Background color	000	No function
		001 ⇄ 239	Background colors (see Background Color Chart)
		240 ⇄ 247	Color fade, fast to slow
		248 ⇄ 255	Color jump, fast to slow
14	Background dimmer	000 ⇄ 255	0–100%
15	Ring dimmer	000 ⇄ 255	0–100%

Operation

Channel	Function	Value	Percent/Setting
16	Center dimmer	000 ⇄ 255	0–100%
17	Ring strobe	000 ⇄ 019 020 ⇄ 024 025 ⇄ 069 070 ⇄ 089 090 ⇄ 109 110 ⇄ 129 130 ⇄ 149 150 ⇄ 169 170 ⇄ 189 190 ⇄ 209 210 ⇄ 229 230 ⇄ 244 245 ⇄ 255	Off On Strobe, fast to slow Fading strobe 100–0%, fast to slow Fading strobe 0–100%, fast to slow Random strobe, fast to slow Random fading strobe 100–0%, fast to slow Random fading strobe 0–100%, fast to slow Pulse strobe, fast to slow Random pulse strobe, fast to slow Fading strobe 100–0–100%, fast to slow Random pulse strobe, fast to slow On
18	Center strobe	000 ⇄ 019 020 ⇄ 024 025 ⇄ 069 070 ⇄ 089 090 ⇄ 109 110 ⇄ 129 130 ⇄ 149 150 ⇄ 169 170 ⇄ 189 190 ⇄ 209 210 ⇄ 229 230 ⇄ 244 245 ⇄ 255	Off On Strobe, fast to slow Fading strobe 100–0%, fast to slow Fading strobe 0–100%, fast to slow Random strobe, fast to slow Random fading strobe 100–0%, fast to slow Random fading strobe 0–100%, fast to slow Pulse strobe, fast to slow Random pulse strobe, fast to slow Fading strobe 100–0–100%, fast to slow Random pulse strobe, fast to slow On
19	Zoom	000 ⇄ 255	Zoom in to zoom out

Channel	Function	Value	Percent/Setting
20	Control (*Activates in 5 seconds)	000 ⇄ 009	No function
		010 ⇄ 014	Blackout on pan/tilt
		015 ⇄ 029	Reserved for future use
		030 ⇄ 034	Synchronize ring and center LEDs*
		035 ⇄ 039	De-synchronize ring and center LEDs*
		040 ⇄ 044	Defrost fan on
		045 ⇄ 049	Defrost fan off
		050 ⇄ 054	Reset pan*
		055 ⇄ 059	Reset tilt*
		060 ⇄ 064	Reset zoom
		065 ⇄ 069	Reserved for future use
		050 ⇄ 074	Reset all*
		075 ⇄ 119	Reserved for future use
		120 ⇄ 124	Fan mode ECO*
		125 ⇄ 129	Fan mode Full*
		130 ⇄ 134	Fan mode Auto*
		135 ⇄ 139	Dimmer mode fast*
		140 ⇄ 144	Dimmer mode smooth*
		145 ⇄ 149	Linear dimmer curve
		150 ⇄ 154	Square dimmer curve
		155 ⇄ 159	Inverse square dimmer curve
		160 ⇄ 164	S-curve dimmer curve
		165 ⇄ 169	WHITE mode
		170 ⇄ 174	FULL mode
		175 ⇄ 179	Single-color calibration off
180 ⇄ 184	Single-color calibration on		
185 ⇄ 239	No function		
240 ⇄ 247	Calibration on		
248 ⇄ 255	Calibration off		
21	Red	000 ⇄ 255	0–100%
22	Green	000 ⇄ 255	0–100%
23	Blue	000 ⇄ 255	0–100%
24	White	000 ⇄ 255	0–100%

Operation

15CH

Channel	Function	Value	Percent/Setting
1	Pan	000 ⇔ 255	0–100%
2	Fine pan	000 ⇔ 255	Fine control (16-bit)
3	Tilt	000 ⇔ 255	0–100%
4	Fine tilt	000 ⇔ 255	Fine control (16-bit)
5	Pan/tilt speed	000 ⇔ 255	Fast to slow
6	Dimmer	000 ⇔ 255	0–100%
7	Fine dimmer	000 ⇔ 255	Fine control (16-bit)
8	Strobe	000 ⇔ 019	Off
		020 ⇔ 024	On
		025 ⇔ 069	Strobe, fast to slow
		070 ⇔ 089	Fading strobe 100–0%, fast to slow
		090 ⇔ 109	Fading strobe 0–100%, fast to slow
		110 ⇔ 129	Random strobe, fast to slow
		130 ⇔ 149	Random fading strobe 100–0%, fast to slow
		150 ⇔ 169	Random fading strobe 0–100%, fast to slow
		170 ⇔ 189	Pulse strobe, fast to slow
		190 ⇔ 209	Random pulse strobe, fast to slow
		210 ⇔ 229	Fading strobe 100–0–100%, fast to slow
230 ⇔ 244	Random pulse strobe, fast to slow		
245 ⇔ 255	On		
9	Red	000 ⇔ 255	0–100%
10	Green	000 ⇔ 255	0–100%
11	Blue	000 ⇔ 255	0–100%
12	White	000 ⇔ 255	0–100%
13	Preset color	000 ⇔ 004	No function
		005 ⇔ 174	Color 1–34 (see Preset Color Chart)
		175 ⇔ 179	No function
		180 ⇔ 201	Color fade, fast to slow
		202 ⇔ 207	Stop
		208 ⇔ 229	Reverse color fade, fast to slow
		230 ⇔ 234	No function
		235 ⇔ 249	Color jump, fast to slow
		250 ⇔ 255	No function
14	Zoom	000 ⇔ 255	Zoom in to zoom out

Channel	Function	Value	Percent/Setting
15	Control (*Activates in 5 seconds)	000 ⇄ 009	No function
		010 ⇄ 014	Blackout on pan/tilt
		015 ⇄ 029	Reserved for future use
		030 ⇄ 034	Synchronize ring and center LEDs*
		035 ⇄ 039	De-synchronize ring and center LEDs*
		040 ⇄ 044	Defrost fan on
		045 ⇄ 049	Defrost fan off
		050 ⇄ 054	Reset pan*
		055 ⇄ 059	Reset tilt*
		060 ⇄ 064	Reset zoom
		065 ⇄ 069	Reserved for future use
		050 ⇄ 074	Reset all*
		075 ⇄ 119	Reserved for future use
		120 ⇄ 124	Fan mode ECO*
		125 ⇄ 129	Fan mode Full*
		130 ⇄ 134	Fan mode Auto*
		135 ⇄ 139	Dimmer mode fast*
		140 ⇄ 144	Dimmer mode smooth*
		145 ⇄ 149	Linear dimmer curve
		150 ⇄ 154	Square dimmer curve
		155 ⇄ 159	Inverse square dimmer curve
		160 ⇄ 164	S-curve dimmer curve
		165 ⇄ 169	WHITE mode
		170 ⇄ 174	FULL mode
		175 ⇄ 179	Single-color calibration off
		180 ⇄ 184	Single-color calibration on
		185 ⇄ 239	No function
		240 ⇄ 247	Calibration on
248 ⇄ 255	Calibration off		

Configuration (Settings)

Pan Reverse

To set the orientation of the pan:

1. Go to the **Setup** main level.
2. Select the **Pan Reverse** option.
3. Select from **OFF** (normal pan motion), or **ON** (reversed pan motion).

Tilt Reverse

To set the orientation of the tilt:

1. Go to the **Setup** main level.
2. Select the **Tilt Reverse** option.
3. Select from **OFF** (normal tilt motion), or **ON** (reversed tilt motion).

Pan Angle

To set the maximum angle of the pan:

1. Go to the **Setup** main level.
2. Select the **Pan Angle** option.
3. Select from **540** (540°), **360** (360°), or **180** (180°).

Tilt Angle

To set the maximum angle of the tilt:

1. Go to the **Setup** main level.
2. Select the **Tilt Angle** option.
3. Select from **270** (270°), **180** (180°), or **90** (90°).

Operation

Fan Mode

To set the fan speed mode:

1. Go to the **Settings** main level.
2. Select the **Fans** option.
3. Select the fan mode, from **Auto** (fan speed adjusts to product temperature), **Full** (fan speed at maximum), or **ECO** (quiet mode).

Display Backlight Timer

To set whether an inactive display will turn off:

1. Go to the **Setup** main level.
2. Select the **Display** option.
3. Select the length of the backlight timer, from **OFF** (will turn off) or **ON** (always on).

Screen Reverse

To set the orientation of the display:

1. Go to the **Setup** main level.
2. Select the **Screen Rev** option.
3. Select from **OFF** (right-side up) or **ON** (upside-down).

Dimmer Curve

To set the dimmer curve:

1. Go to the **Setup** main level.
2. Select the **Dimmer Curve** option.
3. Select the dimmer curve, from **Linear**, **Square**, **LSqua**, or **SCurve**.

Dimmer Speed

To set the dimmer speed:

1. Go to the **Setup** main level.
2. Select the **Dimmer Speed** option.
3. Select the dimmer speed, from **Smooth** or **Fast**.

Pulse Width Modulation

To adjust the frequency of the pulse width modulation:

1. Go to the **Setup** main level.
2. Select the **PWM Option** option.
3. Select the frequency, from **600Hz**, **1200Hz**, **2000Hz**, **4000Hz**, **6000Hz**, or **15000Hz**.

LED Power

To set the power of each LED color:

1. Go to the **Setup** main level.
2. Select from the **LED R POWER** (red), **LED G POWER** (green), **LED B POWER** (blue), or **LED W POWER** (white) options.
3. Set the selected LED power from **050–100**.

White Mode

To turn the White Mode on or off, or edit the balance of the White Mode:

1. Go to the **Setup** main level.
2. Select the **White Mode** option.
3. Select **On** (to calibrate the color temperature to 7500K), **Off** (to sets all colors to maximum output), or **Custom** (to customize the White Mode).
4. If **Custom** was selected, then select which color to edit, from **RED**, **GREEN**, **BLUE**, or **WHITE**.
5. Increase or decrease the maximum output level of the selected color, from **000–255**.

Color Calibration

To alter the color calibration settings:

1. Go to the **Setup** main level.
2. Select the **Color Calibration** option.
3. Select the calibration mode, from **On** (Uses factory default settings), **Off** (Sets all colors to maximum output), or **Custom** (To set a custom white balance).
4. If **Custom** was selected, then select which color to edit, from **RED**, **GREEN**, or **BLUE**.
5. Increase or decrease the maximum output level of the selected color, from **100–255**.

USB Update

To enable or disable software update using USB:

1. Go to the **Setup** main level.
2. Select the **USB Update** option.
3. Select **NO** (disables software update through USB) or **YES** (enables software update through USB).



See the [USB Software Update](#) section for the detailed instructions on how to update the Rogue Outcast 1 Beam Wash software using a USB C connection.

Reset Function

To reset specific functions or the entire product:

1. Go to the **Setup** main level.
2. Select the **Reset Function** option.
3. Select the functions to reset, from **Pan/Tilt, Zoom, or All**.
4. Select **NO** (to cancel) or **YES** (to reset the selected functions).

Factory Reset

To reset the product to factory settings:

1. Go to the **Setup** main level.
2. Select the **Factory Reset** option.
3. Select **NO** (to cancel) or **YES** (to reset the product configuration).

Test Mode

Auto Test

To have the Rogue Outcast 1 Beam Wash automatically test all functions one after the other:

1. Go to the **Run Mode** main level.
2. Select the **Auto Test** option.

Manual Test

To manually test an individual function of the Rogue Outcast 1 Beam Wash:

1. Go to the **Run Mode** main level.
2. Select the **Manual Test** option.
3. Select a function to test, from **Pan, Tilt, Dimmer, Shutter, Red 1, Green 1, Blue 1, Red 2, Green 2, Blue 2, Red 3, Green 3, Blue 3, Red 4, Green 4, Blue 4, Red 5, Green 5, Blue 5, Red 6, Green 6, Blue 6, Red 7, Green 7, Blue 7, Red 8, Green 8, Blue 8, Red 9, Green 9, Blue 9, Red 10, Green 10, Blue 10, Red 11, Green 11, Blue 11, Red 12, Green 12, Blue 12, Red 13, Green 13, Blue 13, White 13, or Zoom**.
4. Increase or decrease the value of the selected function from **000–255** to test it.

System Information

The information section of the menu displays statistics and the current status of the product's various functions. To view this information:

1. Go to the **Sys Info** main level.
2. Use **<UP>** and **<DOWN>** to view all information.

Offset Mode (Zero Adjust)

The Offset mode provides fine adjustments for the home position of the pan, tilt, and zoom movements. To adjust these options:

1. From the main level screen, press and hold **<MENU>** until the passcode screen appears.
2. Use **<UP>** (increase value) and **<DOWN>** (next value) to enter the passcode: **2323** and press **<ENTER>**.
3. Select the "zero" position to adjust, from **PAN, TILT, ZOOM, RDM4, RDM5, or RDM6**.
4. Adjust the "zero" position for the selected function from **000–255**.

5. Maintenance

Product Maintenance

Dust build-up reduces light output performance and can cause overheating. This can lead to reduction of the light source's life and/or mechanical wear. To maintain optimum performance and minimize wear, clean your lighting products at least twice a month. However, be aware that usage and environmental conditions could be contributing factors to increase the cleaning frequency.

To clean the product, follow the instructions below:

1. Unplug the product from power.
2. Wait until the product is at room temperature.
3. Use a vacuum (or dry compressed air) and a soft brush to remove dust collected on the external surface/vents.
4. Clean all transparent surfaces with a mild soap solution, ammonia-free glass cleaner, or isopropyl alcohol.
5. Apply the solution directly to a soft, lint free cotton cloth or a lens cleaning tissue.
6. Softly drag any dirt or grime to the outside of the transparent surface.
7. Gently polish the transparent surfaces until they are free of haze and lint.



Always dry the transparent surfaces carefully after cleaning them.



Do not spin the cooling fans with compressed air. Damage may result.

6. Technical Specifications

Dimensions and Weight

Length	Width	Height	Weight
11.92 in (303 mm)	7.58 in (192 mm)	15.75 in (391 mm)	20.2 lb (9.16 kg)

Note: Dimensions in inches are rounded.

Power

Power Supply Type	Range	Voltage Selection
Switching (internal)	100 to 240 VAC, 50/60 Hz	Auto-ranging

Parameter	100 V, 60 Hz	120 V, 60 Hz	208 V, 60 Hz	230 V, 50 Hz	240 V, 50 Hz
Consumption	398 W	385 W	376 W	372 W	386 W
Operating Current	3.98 A	3.25 A	1.92 A	1.69 A	1.64 A
Power linking (products)	3 products	4 products	7 products	7 products	8 products
Fuse/Breaker	8 A, 250 V	8 A, 250 V	8 A, 250 V	8 A, 250 V	8 A, 250 V

Power I/O	U.S./Worldwide	UK/Europe
Power Input Connector	Seetronic Powerkon A	Seetronic Powerkon A
Power Output Connector	Seetronic Powerkon A	Seetronic Powerkon A
Power Cord plug	Bare end	Bare end

Light Source

Type	Color	Quantity	Power	Current	Lifespan
LED	Quad-color RGBW	7	45 W	3 A	50,000 hours
LED	Tri-color RGB	97	0.2 W	20 mA	50,000 hours

Photometrics

Beam Angle	Field Angle	Cutoff Angle	Zoom Angle
3.9° to 36°	5.9° to 49.8°	6.7° to 55.3°	3.9° to 55.3°

Illuminance @ 5 m (3.9°)	Illuminance @ 5 m (55.3°)
15,308 lux	473 lux

Thermal

Maximum External Temperature	Cooling System
113 °F (45 °C)	Fan-assisted Convection

DMX

I/O Connector	Channel Range
5-pin XLR	15, 24, 30, 64, 111 or 135

Ordering

Product Name	Item Name	Item Code	UPC Number
Rogue Outcast 1 Beam Wash	ROGUEOUTCAST1BEAMWASH	08011841	781462221898



Returns

Returns

Send the product prepaid, in the original box, and with the original packing and accessories. Chauvet will not issue call tags.

Call Chauvet and request a Return Merchandise Authorization (RMA) number before shipping the product. Be prepared to provide the model number, serial number, and a brief description of the cause(s) for the return.

To submit a service request online, go to www.chauvetprofessional.com/service-request.

Clearly label the package with an RMA number. Chauvet will refuse any product returned without an RMA number.



Write the RMA number on a properly affixed label. DO NOT write the RMA number directly on the box.

Before sending the product, clearly write the following information on a piece of paper and place it inside the box:

- Your name
- Your address
- Your phone number
- RMA number
- A brief description of the problem

Be sure to pack the product properly. Any shipping damage resulting from inadequate packaging will be your responsibility. FedEx packing or double-boxing are recommended.



Chauvet reserves the right to use its own discretion to repair or replace returned product(s).

Contact Us

General Information	Technical Support
Chauvet World Headquarters	
Address: 5200 NW 108th Ave. Sunrise, FL 33351 Voice: (954) 577-4455 Fax: (954) 929-5560 Toll Free: (800) 762-1084	Voice: (844) 393-7575 Fax: (954) 756-8015 Email: chauvetcs@chauvetlighting.com Website: www.chauvetprofessional.com
Chauvet Europe Ltd	
Address: Unit 1C Brookhill Road Industrial Estate Pinxton, Nottingham, UK NG16 6NT Voice: +44 (0) 1773 511115 Fax: +44 (0) 1773 511110	Email: UKtech@chauvetlighting.eu Website: www.chauvetprofessional.eu
Chauvet Europe BVBA	
Address: Stokstraat 18 9770 Kruishoutem Belgium Voice: +32 9 388 93 97	Email: BNLtech@chauvetlighting.eu Website: www.chauvetprofessional.eu
Chauvet France	
Address: 3, Rue Ampère 91380 Chilly-Mazarin France Voice: +33 1 78 85 33 59	Email: FRtech@chauvetlighting.fr Website: www.chauvetprofessional.eu
Chauvet Germany	
Address: Bruno-Bürgerl-Str. 11 28759 Bremen Germany Voice: +49 421 62 60 20	Email: DEtech@chauvetlighting.de Website: www.chauvetprofessional.eu
Chauvet Mexico	
Address: Av. de las Partidas 34 - 3B (Entrance by Calle 2) Zona Industrial Lerma Lerma, Edo. de México, CP 52000 Voice: +52 (728) 690-2010	Email: servicio@chauvet.com.mx Website: www.chauvetprofessional.mx

Visit the applicable website above to verify our contact information and instructions to request support. Outside the U.S., U.K., Ireland, Benelux, France, Germany, or Mexico, contact the dealer of record.