

OVATION

R

Ê

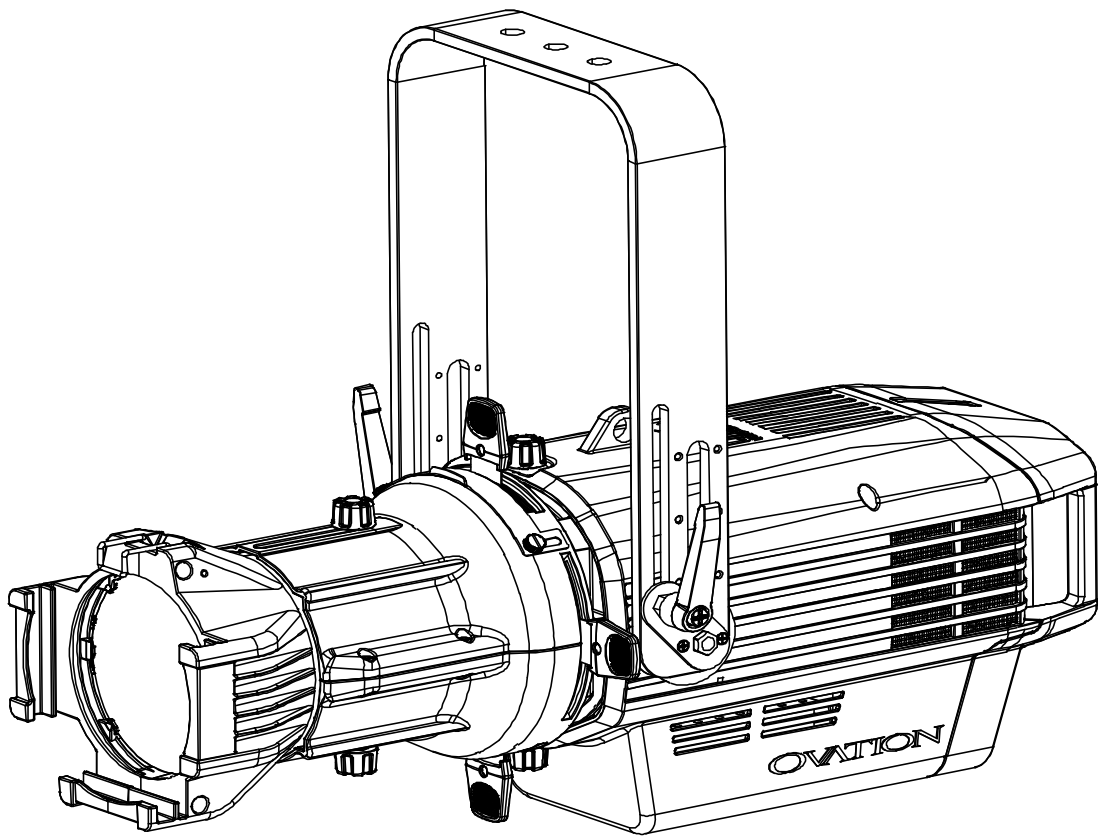
V

E

E - 3

Quick Reference Guide

English	EN
Español	ES
Français	FR
Deutsch	DE
Nederlands	NL



* Lens tubes sold separately

Model ID: OVATIONREVEE3


CHAUVET
PROFESSIONAL

About This Guide

The Ovation Rêve E-3 Quick Reference Guide (QRG) has basic product information such as connection, mounting, menu options, and DMX values. Download the User Manual from www.chauvetprofessional.com for more details.

Disclaimer

The information and specifications contained in this QRG are subject to change without notice.

LIMITED WARRANTY

FOR WARRANTY REGISTRATION AND COMPLETE TERMS AND CONDITIONS PLEASE VISIT OUR WEBSITE.

For Customers in the United States and Mexico: www.chauvetlighting.com/warranty-registration.

For Customers in the United Kingdom, Republic of Ireland, Belgium, the Netherlands, Luxembourg, France, and Germany: www.chauvetlighting.eu/warranty-registration/.

Chauvet warrants that this product shall be free from defects in material and workmanship under normal use, for the period specified in and subject to the exclusions and limitations set forth in, the full limited warranty on our website. This warranty extends only to the original purchaser of the product and is not transferable. To exercise rights under this warranty, the customer must provide proof of purchase in the form of an original sales receipt from an authorized dealer that shows the product name and date of purchase. **THERE ARE NO OTHER EXPRESS OR IMPLIED WARRANTIES.** This warranty gives the customer specific legal rights. The customer may also have other rights that vary from state to state and country to country. This warranty is valid only in the United States, United Kingdom, Republic of Ireland, Belgium, the Netherlands, Luxembourg, France, Germany and Mexico. For warranty terms in other countries, please consult a local distributor.

Safety Notes

- The luminaire should be positioned so that prolonged staring into the luminaire at a distance closer than 10 ft (3 m) is not expected.
- If the external flexible cable or cord of this luminaire is damaged, it shall be replaced by a special cord or cord exclusively available from the manufacturer or his service agent.
- The light source contained in this luminaire shall only be replaced by the manufacturer or his service agent or a similar qualified person.
- The luminaire is intended for professional use only.
- DO NOT open this product. It contains no user-serviceable parts.
- DO NOT look at the light source when the product is on.
- DO NOT operate this product outdoors or in any location where dust, excessive heat, water, or humidity may affect it (IP20).
- DO NOT leave any flammable material within 50 cm of this product while operating or connected to power.
- DO NOT operate this product if the housing, lenses, or cables appear damaged.
- DO NOT connect this product to a dimmer or rheostat.
- CAUTION: This product's housing may be hot when lights are operating.
- CAUTION: When transferring product from extreme temperature environments, (e.g., cold truck to warm humid ballroom) condensation may form on the internal electronics of the product. To avoid causing a failure, allow product to fully acclimate to the surrounding environment before connecting it to power.
- USE a safety cable when mounting this product overhead.
- ONLY connect this product to a grounded and protected circuit.
- ONLY use the hanging/mounting bracket to carry this product.
- Mount this product in a location with adequate ventilation, at least 20 in (50 cm) from adjacent surfaces.
- To eliminate unnecessary wear and improve its lifespan, during periods of non-use completely disconnect the product from power via breaker or by unplugging it.
- In the event of a serious operating problem, stop using immediately.
- The maximum ambient temperature is 113 °F (45 °C). Do not operate this product at higher temperatures.

FCC Compliance

This device complies with Part 15 Part B of the FCC Rules. Operation is subject to the following two conditions:

1. This device may not cause harmful interference, and
2. This device must accept any interference received, including interference that may cause undesired operation.

Any changes or modifications not expressly approved by the party responsible for compliance could void the user's authority to operate the equipment.

Contact

Outside the U.S., U.K., Ireland, Benelux, France, Germany, or Mexico, contact a distributor to request support or return a product. Refer to [Contact Us](#) at the end of this QRG for contact information.

What is Included

- Ovation Rêve E-3
- Soft-focus filter
- Quick Reference Guide
- Seetronic Powerkon
- Ovation metal gobo holder



If there is a protective film on the soft-focus filter, it must be removed before use. The filter is in a holder in the metal gobo slot.

AC Power

This product has an auto-ranging power supply that can work with an input voltage range of 100–240 VAC, 50/60 Hz.

Power Linking

It is possible to link up to 3 Ovation Rêve E-3 products at 100 V, 4 products at 120 V, 7 products at 208 V, 8 products at 230 V, or 8 products at 240 V. Never exceed this number. Power-linking cords can be purchased separately.

AC Plug

Connection	Wire (U.S.)	Wire (Europe)	Screw Color
AC Live	Black	Brown	Yellow/Brass
AC Neutral	White	Blue	Silver
AC Ground	Green/Yellow	Green/Yellow	Green



To eliminate unnecessary wear and improve its lifespan, during periods of non-use completely disconnect the product from power via breaker or by unplugging it.

Replacing the Fuse

1. Disconnect this product from power.
2. Using a Phillips-head screwdriver, unscrew the fuse holder cap from the housing.
3. Remove blown fuse and replace with a good fuse of the same type and rating.
4. Screw the fuse holder cap back in place and reconnect power.

DMX Linking

The Ovation Rêve E-3 will work with a DMX controller using a 3- and 5-pin DMX serial connection. A DMX Primer is available from www.chauvetprofessional.com.

DMX Connection

The Ovation Rêve E-3 uses a 3- and 5-pin DMX data connection for its DMX personalities: **1Ch, 5Ch, 6Ch, 8Ch, 12Ch, 14Ch1, 14Ch2, 18Ch**, and **HSV**. See the User Manual for information about connecting and configuring the product for DMX operation.

Master/Slave Connection

The Ovation Rêve E-3 uses the DMX data connection for its master/slave mode. See the User Manual for information about how to connect and configure the product for master/slave operation.

RDM (Remote Device Management)

Remote Device Management, or RDM, is a standard for allowing DMX-enabled devices to communicate bi-directionally along existing DMX cabling. Check with the manufacturer or the DMX controller's User Manual, as not all DMX controllers have this capability. The Ovation Rêve E-3 supports RDM protocol that allows feedback to make changes to menu map options. Download the User Manual from www.chauvetprofessional.com for more details.

USB Software Update

The Ovation Rêve E-3 allows for software update through USB using the built-in USB port. To update the software using USB flash drive, do the following:

1. Power on the fixture and plug the flash drive into the USB port.
2. Once the flash drive has been detected, the message "Upgrade Firmware" will be displayed. Press **<ENTER>**.
 - If a different message appears on the display, search for the updated software in the Main Menu (**Update Firmware**) and select from **Only This Unit**, **Multiple Units**, or **Other Fixture Type**. A list of the software update files will be displayed.
3. Select the file that needs to be uploaded. The message "Are you sure?" will be displayed. Press **<ENTER>**.
4. If the selected file is correct, the upgrade will be completed. Restart the fixture.
 - If the selected file is incorrect, the upgrade will fail, and the display will go back to the main interface. Repeat steps 1-3 using the correct file.



The .chl format file needs to be placed in the OVATION folder in the USB flash drive.



The "Other Fixture Type" option can only be selected for connected products compatible with the Upload 03 (the first 2 digits of the item code must be 03).

Lens Tubes

The following lens tubes are available for purchase:

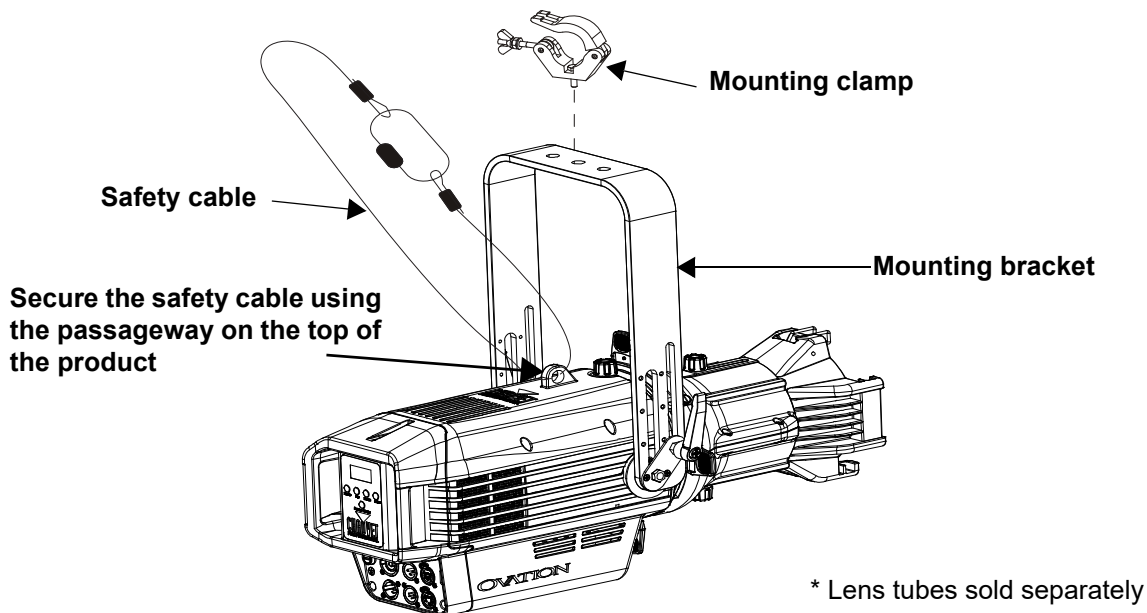
- 19°, 26°, 36°, and 50° with gel frame (6.25 in/159 mm accessories)

- 5° zoom gel frame (14 in/356 mm)
- 10° zoom gel frame (12 in/304 mm)
- 14°, 15–30° and 25°–50° zoom gel frame (7.5 in/191 mm accessories)

Mounting

Before mounting this product, read the [Safety Notes](#). Use at least one mounting point per product. Make sure the mounting clamps can support the weight of the product. For the Chauvet line of mounting clamps, go to: <http://trusst.com/productcategory/truss-clamps/>.

Product Mounting Diagram



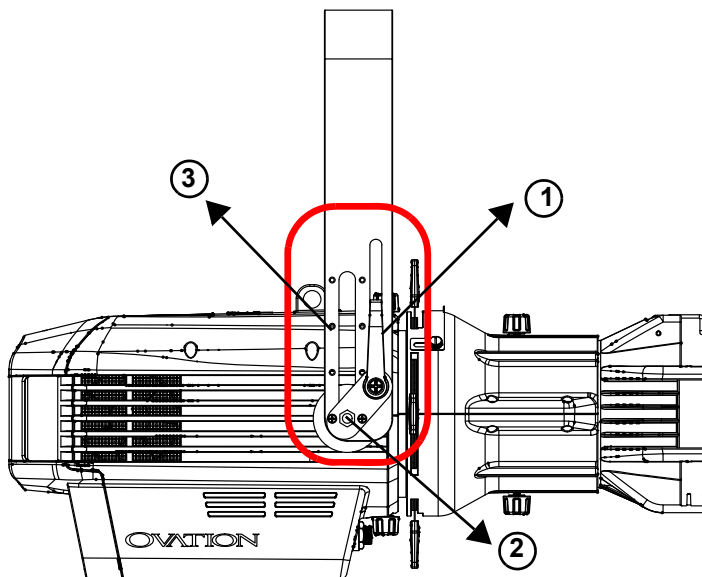
Overhead Mounting

Adjustable Yoke

The Ovation Rêve E-3 comes with an adjustable yoke for mounting in low-clearance areas. To modify the height of the yoke, do the following:

1. Loosen the bracket adjustment knobs on both sides of the fixture.
2. On each side of the fixture, remove the two screws and loosen the bolt attaching the plate to the mounting bracket.
3. Using the screw holes as guide, adjust the position of the mounting bracket to achieve the desired height of the yoke.

4. Put the screws back in place, and tighten the bolts and the bracket adjustment knobs. Virtual Color Wheel



The Ovation Rêve E-3 includes a feature called the Virtual Color Wheel (VCW). This feature is available as a standalone control mode for manual use and as a control channel in select DMX personalities. More than 30 premixed colors, custom blended by Chauvet engineers, are available to call up for easier programming.

The DMX values used to mix these colors are provided below. The overall intensity of the Ovation fixture can be adjusted to more closely replicate familiar industry-standard colors. A chart is available on www.chauvetprofessional.com to compare Chauvet’s premixed colors with popular gel colors. This chart is for comparison purposes only and is not an assertion that Chauvet’s premixed colors match any of the gel colors listed.

Virtual Color Wheel Chart

DMX Channel Value	Display Readout	Red Value	Green Value	Blue Value	Amber Value	Mint Value
000 ⇄ 005	--	--	--	--	--	--
006 ⇄ 013	C3050 - Md Yellow	255	225	0	255	37
014 ⇄ 021	C3040 - Lt Yellow	255	177	3	255	37
022 ⇄ 028	C3240 - Amb Yellow	255	220	0	255	0
029 ⇄ 035	C2340 - VLt Amber	195	0	15	255	57
036 ⇄ 043	C2040 - Lt Amber	255	0	11	255	61
044 ⇄ 051	C2050 - Md Amber	255	53	0	255	17
052 ⇄ 059	C2060 - Dk Amber	255	8	0	255	17
060 ⇄ 067	C1050 - Lt Red	255	0	3	14	0
068 ⇄ 075	C1080 - Md Red	255	0	2	0	0
076 ⇄ 083	C1020 - NC Pink	255	75	62	255	73
084 ⇄ 091	C1030 - Md Pink	255	75	57	255	41
092 ⇄ 099	C1630 - Dk Pink	218	77	57	255	61
100 ⇄ 107	C1250 - Md Red Amber	255	0	9	168	0
108 ⇄ 115	C1060 - Dk Red Amber	255	5	9	36	0
116 ⇄ 121	C1650 - Magenta	255	3	62	255	12
122 ⇄ 130	C6170 - Dk Magenta	255	0	55	0	0
131 ⇄ 138	C6020 - Lt Lavender	255	220	93	255	44
139 ⇄ 146	C5030 - Lt Blue	0	255	159	112	78
147 ⇄ 154	C5020 - VLt Blue	0	215	145	196	65
155 ⇄ 162	C5430 - Lt Blue2	0	215	132	52	92
163 ⇄ 170	C5070 - Blue	0	195	188	0	19
171 ⇄ 178	C5050 - Md Blue	0	163	190	0	68
179 ⇄ 186	C5060 - Dk Blue	0	128	193	0	38
187 ⇄ 194	C5690 - Indigo	53	9	255	0	0
195 ⇄ 202	C5080 - VDk Blue	7	84	116	0	0
203 ⇄ 210	C5081 - VDk Blue2	11	82	139	0	0

QUICK REFERENCE GUIDE



EN

DMX Channel Value	Display Readout	Red Value	Green Value	Blue Value	Amber Value	Mint Value
211 ⇔ 218	C4370 - Yel Green	0	255	2	25	0
219 ⇔ 226	C4070 - Green	0	255	9	0	175
227 ⇔ 234	C4550 - Turquoise	0	255	87	96	255
235 ⇔ 242	C4560 - Aqua	0	255	98	44	255
243 ⇔ 250	C4570 - Blue Green	0	255	26	8	0
251 ⇔ 255	--	--	--	--	--	--

 **Note:** The colors above are simulated renditions of the color output produced compared with other similar incandescent products. Chauvet makes no guarantee of the color output accuracy.

Color Temperature Chart

Color Temperature	Red Value	Green Value	Blue Value	Amber Value	Mint Value
2800K	253	0	25	255	145
2900K	253	3	28	255	153
3000K	251	5	33	255	161
3100K	248	7	36	255	169
3200K	245	9	45	255	173
3300K	242	13	47	255	182
3400K	237	22	53	255	185
3500K	230	30	58	255	185
3600K	225	40	64	255	185
3700K	221	48	70	255	185
3800K	220	48	74	255	197
3900K	220	50	79	255	203
4000K	210	58	84	255	203
4100K	205	63	88	255	203
4200K	199	68	95	255	204
4300K	189	69	98	255	204
4400K	183	71	103	255	204
4500K	174	78	107	255	204
4600K	170	80	112	255	204
4700K	166	89	119	255	204
4800K	164	98	123	255	203
4900K	163	100	129	255	205
5000K	163	103	137	255	206
5100K	163	108	142	255	208
5200K	163	116	147	255	208
5300K	163	118	156	255	210
5400K	162	122	162	255	216
5500K	162	124	166	255	224
5600K	162	127	172	255	229
5700K	159	127	177	255	231
6000K	158	134	192	241	231
6500K	152	152	206	225	231
7000K	144	157	224	218	231
7500K	127	172	238	218	231
8000K	122	175	245	200	231

 The color temperatures above are simulated renditions of the color output produced compared with a tungsten lamp at the specified color temperature. Chauvet makes no guarantee of the color output accuracy.

Color Temperature DMX Chart

DMX Channel	Color Temperature	DMX Channel	Color Temperature	DMX Channel	Color Temperature
000 ⇔ 005	No function	084 ⇔ 090	3900–4000K	168 ⇔ 174	5100–5200K
006 ⇔ 013	2800–2900K	091 ⇔ 097	4000–4100K	175 ⇔ 181	5200–5300K
014 ⇔ 020	2900–3000K	098 ⇔ 104	4100–4200K	182 ⇔ 188	5300–5400K
021 ⇔ 027	3000–3100K	105 ⇔ 111	4200–4300K	189 ⇔ 195	5400–5500K
028 ⇔ 034	3100–3200K	112 ⇔ 118	4300–4400K	196 ⇔ 202	5500–5600K

DMX Channel	Color Temperature	DMX Channel	Color Temperature	DMX Channel	Color Temperature
035 ⇄ 041	3200–3300K	119 ⇄ 125	4400–4500K	203 ⇄ 209	5600–5700K
042 ⇄ 048	3300–3400K	126 ⇄ 132	4500–4600K	210 ⇄ 216	5700–6000K
049 ⇄ 055	3400–3500K	133 ⇄ 139	4600–4700K	217 ⇄ 223	6000–6500K
056 ⇄ 062	3500–3600K	140 ⇄ 146	4700–4800K	224 ⇄ 230	6500–7000K
063 ⇄ 069	3600–3700K	147 ⇄ 153	4800–4900K	231 ⇄ 237	7000–7500K
070 ⇄ 076	3700–3800K	154 ⇄ 160	4900–5000K	238 ⇄ 244	7500–8000K
077 ⇄ 083	3800–3900K	161 ⇄ 167	5000–5100K	245 ⇄ 255	8000K

Control Panel Description

Button	Function
<MENU>	Exits from the current menu or function
<ENTER>	Enables the currently displayed menu or sets the currently selected value into the selected function
<UP>	Navigates upwards through the menu list or increases the numeric value when in a function
<DOWN>	Navigates downwards through the menu list or decreases the numeric value when in a function
<FOCUS>	Sets fixture into Focus Mode, which takes the unit to full power for easy focusing without changing any other fixture settings. Press again to release from Focus Mode.

Menu Map

Refer to the Ovation Rêve E-3 product page on www.chauvetprofessional.com for the latest menu map.

Main Level	Programming Levels		Description	
DMX Address	001–512*		Selects DMX address (*highest channel restricted to personality chosen)	
DMX Channel	1Ch	Virtual Color Wheel	1-channel: dimmer	
		Color Temperature		
		Manual Color Mixer		
		5Ch	5-channel: dimmer, virtual color wheel (VCW), color temperature, hue, gobo rotator	
		6Ch	6-channel: red, green, blue, amber, mint, gobo rotator	
		8Ch	8-channel: dimmer, RGBAM, strobe, gobo rotator	
		12Ch	12-channel: 16-bit dimmer, RGBAM, strobe, VCW, color temperature, hue, gobo rotator	
		14Ch1	14-channel: dimmer, RGBAM, strobe, VCW, color temperature, hue, auto programs, auto speed, control, gobo rotator	
		14Ch2	14-channel: 16-bit dimmer, 16-bit RGBAM, strobe, gobo rotator	
	18Ch	18-channel: 16-bit RGBAM and dimmer, strobe, VCW, color temperature, hue, control, gobo rotator		
	HSV	4-channel: hue, saturation, value, gobo rotator		
Virtual Color Wheel	Virtual Color Wheel	C3050 - Md Yellow C3040 - Lt Yellow C3240 - Amb Yellow C2340 - VLt Amber C2040 - Lt Amber C2050 - Md Amber C2060 - Dk Amber C1050 - Lt Red C1080 - Md Red C1020 - NC Pink C1030 - Md Pink C1630 - Dk Pink C1250 - Md Red Amber C1060 - Dk Red Amber C1650 - Magenta C6170 - Dk Magenta C6020 - Lt Lavender C5030 - Lt Blue	Dimmer 000–255	Virtual Color Wheel simulates the output of each gel color. Refer to the Virtual Color Wheel Chart for specific values.

QUICK REFERENCE GUIDE



EN

Main Level	Programming Levels		Description
Virtual Color Wheel	C5020 - VLt Blue C5430 - Lt Blue 2 C5070 - Blue C5050 - Md Blue C5060 - Dk Blue C5690 - Indigo C5080 - Vdk Blue C5081 - Vdk Blue 2	Dimmer 000–255	Virtual Color Wheel simulates the output of each gel color. Refer to the Virtual Color Wheel Chart for specific values.
	C4370 - Yel Green C4070 - Green C4550 - Turquoise C4560 - Aqua C4570 - Blue Green		
	Color Temperature	2800K 2900K 3000K 3100K 3200K 3300K 3400K 3500K 3600K 3700K 3800K 3900K 4000K 4100K 4200K 4300K	
4400K 4500K 4600K 4700K 4800K 4900K 5000K 5100K 5200K 5300K 5400K 5500K 5600K 5700K 6000K 6500K 7000K 7500K 8000K		Hue -25–25	
Manual Color Mixer	Red Green Blue Amber Mint	000–255	Combines red, green, blue, amber, and mint to make a custom color (0–100%)
Auto Show	Auto 1–5	1–100	Selects automatic programs and auto program speed
Red Shift	On Off		Mimics halogen lamp dimming
Gobo Rotator	000–255		Controls the gobo rotator

Main Level	Programming Levels		Description
Master/Slave	Master		Receives DMX signal from the DMX controller (master)
	Slave		Receives DMX signal from the master unit
Dimmer Curve	S Curve Linear Square Inverse Square		Sets the dimmer curve
Dimmer Mode	Off		Linear dimmer
	Dimmer 1–3		Dimming curves, from fast (Dimmer 1) to slow (Dimmer 3)
Color Calibration	User Calibration	Off	Deactivates color calibration
		Red	Sets red LED maximum value
		Green	Sets green LED maximum value
		Blue	Sets blue LED maximum value
		Amber	Sets amber LED maximum value
	Mint	Sets mint LED maximum value	
Factory Calibration		125–255	Uses factory default white setting
LED Frequency	600Hz 1200Hz 2000Hz 4000Hz 6000Hz 25KHz		Sets the PWM output frequency
Fan Mode	Auto		Sets the fan to auto mode
	On		Sets the fan to always on
	Off		Sets the fan to always off
	Silent		Sets the fan to silent
Back Light	10S		Turns off display backlight after 10 seconds of inactivity
	30S		Turns off display backlight after 30 seconds of inactivity
	2Min		Turns off display backlight after 2 minutes of inactivity
	Always On		Display backlight always on
Gobo Power	On Off		Enables/disables gobo power output
Information	Fixture Hours	----H	Shows total hours the product has been powered on
	LED Hours	----H	Shows total hours the LED has been powered on
	Version	V_._	Shows current firmware version
	UID	-----	Shows product UID
Update Firmware	Only This Unit	-----CHL ...	Selects an update file for this product, or shows “ No such file! ”
	Multiple Units	-----CHL ...	Selects an update file for this and connected Ovation Rêve E-3 products, or shows “ No such file! ”
	Other Fixture Type	-----CHL ...	Selects an update file for other connected products, or shows “ No such file! ”
Reset Factory	No Yes		Resets settings to factory default



WARNING: When operating in Fan Mode: Off and Fan Mode: Silent, the fixture will become hotter to the touch than when using other fan modes. Use proper protective equipment to prevent burns. Keep a safe distance from flammable objects.



NOTICE: When operating in Fan Mode: Off and Fan Mode: Silent, output of the fixture will be reduced and will not reach the same levels as when using other fan modes.

QUICK REFERENCE GUIDE



EN

DMX Values

HSV

Channel	Function	Value	Percent/Setting
1	Hue	000 ⇔ 255	0–100%
2	Saturation	000 ⇔ 255	0–100%
3	Value	000 ⇔ 255	0–100%
4	Gobo rotator	000 ⇔ 127	Index
		128 ⇔ 190	Clockwise rotation, fast to slow
		191 ⇔ 192	Stop
		193 ⇔ 255	Counterclockwise rotation, slow to fast

18Ch

Channel	Function	Value	Percent/Setting
1	Dimmer	000 ⇔ 255	0–100%
2	Dimmer fine	000 ⇔ 255	0–100%
3	Red	000 ⇔ 255	0–100%
4	Red fine	000 ⇔ 255	0–100%
5	Green	000 ⇔ 255	0–100%
6	Green fine	000 ⇔ 255	0–100%
7	Blue	000 ⇔ 255	0–100%
8	Blue fine	000 ⇔ 255	0–100%
9	Amber	000 ⇔ 255	0–100%
10	Amber fine	000 ⇔ 255	0–100%
11	Mint	000 ⇔ 255	0–100%
12	Mint fine	000 ⇔ 255	0–100%
13	Strobe	000 ⇔ 010	No function
		011 ⇔ 255	Strobe, slow to fast
14	Virtual color wheel	000 ⇔ 255	Refer to Virtual Color Wheel Chart
15	Color temperature	000 ⇔ 255	Refer to Color Temperature DMX Chart
16	Hue	000 ⇔ 000	0
		001 ⇔ 255	-25–25
17	Control (hold for 3 seconds)	000 ⇔ 007	No function
		008 ⇔ 015	Dimmer reset
		016 ⇔ 023	Red shift on
		024 ⇔ 031	Red shift off
		032 ⇔ 039	S-curve dimmer
		040 ⇔ 047	Linear dimmer
		048 ⇔ 055	Square dimmer curve
		056 ⇔ 063	Inverse square dimmer curve
		064 ⇔ 071	Dimmer speed mode OFF
		072 ⇔ 079	Dimmer speed 1 (fastest)
		080 ⇔ 087	Dimmer speed 2
		088 ⇔ 095	Dimmer speed 3 (slowest)
		096 ⇔ 103	Fan auto
		104 ⇔ 111	Fan on
112 ⇔ 119	Fan off		
120 ⇔ 127	Fan silent		
128 ⇔ 255	Reserved for future use		
18	Gobo rotator	000 ⇔ 127	Index
		128 ⇔ 190	Clockwise rotation, fast to slow
		191 ⇔ 192	Stop
		193 ⇔ 255	Counterclockwise rotation, slow to fast

14Ch1

Channel	Function	Value	Percent/Setting
1	Dimmer	000 ⇔ 255	0–100%
2	Red	000 ⇔ 255	0–100%
3	Green	000 ⇔ 255	0–100%
4	Blue	000 ⇔ 255	0–100%
5	Amber	000 ⇔ 255	0–100%
6	Mint	000 ⇔ 255	0–100%
7	Strobe	000 ⇔ 010 011 ⇔ 255	No function Strobe, slow to fast
8	Virtual color wheel	000 ⇔ 255	Refer to Virtual Color Wheel Chart
9	Color temperature	000 ⇔ 255	Refer to Color Temperature DMX Chart
10	Hue	000 ⇔ 000 001 ⇔ 255	0 -25–25
11	Auto programs	000 ⇔ 010 011 ⇔ 060 061 ⇔ 110 111 ⇔ 160 161 ⇔ 210 211 ⇔ 255	No function Auto program 1 Auto program 2 Auto program 3 Auto program 4 Auto program 5
12	Auto speed	000 ⇔ 255	Auto speed, slow to fast
13	Control (hold for 3 seconds)	000 ⇔ 007 008 ⇔ 015 016 ⇔ 023 024 ⇔ 031 032 ⇔ 039 040 ⇔ 047 048 ⇔ 055 056 ⇔ 063 064 ⇔ 071 072 ⇔ 079 080 ⇔ 087 088 ⇔ 095 096 ⇔ 103 104 ⇔ 111 112 ⇔ 119 120 ⇔ 127 128 ⇔ 255	No function Dimmer reset Red shift on Red shift off S-curve dimmer Linear dimmer Square dimmer curve Inverse square dimmer curve Dimmer speed mode OFF Dimmer speed 1 (fastest) Dimmer speed 2 Dimmer speed 3 (slowest) Fan auto Fan on Fan off Fan silent Reserved for future use
14	Gobo rotator	000 ⇔ 127 128 ⇔ 190 191 ⇔ 192 193 ⇔ 255	Index Clockwise rotation, fast to slow Stop Counterclockwise rotation, slow to fast

QUICK REFERENCE GUIDE



EN

14Ch2

Channel	Function	Value	Percent/Setting
1	Dimmer	000 ⇔ 255	0–100%
2	Dimmer fine	000 ⇔ 255	0–100%
3	Red	000 ⇔ 255	0–100%
4	Red fine	000 ⇔ 255	0–100%
5	Green	000 ⇔ 255	0–100%
6	Green fine	000 ⇔ 255	0–100%
7	Blue	000 ⇔ 255	0–100%
8	Blue fine	000 ⇔ 255	0–100%
9	Amber	000 ⇔ 255	0–100%
10	Amber fine	000 ⇔ 255	0–100%
11	Mint	000 ⇔ 255	0–100%
12	Mint fine	000 ⇔ 255	0–100%
13	Strobe	000 ⇔ 010	No function
		011 ⇔ 255	Strobe, slow to fast
14	Gobo rotator	000 ⇔ 127	Index
		128 ⇔ 190	Clockwise rotation, fast to slow
		191 ⇔ 192	Stop
		193 ⇔ 255	Counterclockwise rotation, slow to fast

12Ch

Channel	Function	Value	Percent/Setting
1	Dimmer	000 ⇔ 255	0–100%
2	Dimmer fine	000 ⇔ 255	0–100%
3	Red	000 ⇔ 255	0–100%
4	Green	000 ⇔ 255	0–100%
5	Blue	000 ⇔ 255	0–100%
6	Amber	000 ⇔ 255	0–100%
7	Mint	000 ⇔ 255	0–100%
8	Strobe	000 ⇔ 010	No function
		011 ⇔ 255	Strobe, slow to fast
9	Virtual color wheel	000 ⇔ 255	Refer to Virtual Color Wheel Chart
10	Color temperature	000 ⇔ 255	Refer to Color Temperature DMX Chart
11	Hue	000 ⇔ 000	0
		001 ⇔ 255	-25–25
12	Gobo rotator	000 ⇔ 127	Index
		128 ⇔ 190	Clockwise rotation, fast to slow
		191 ⇔ 192	Stop
		193 ⇔ 255	Counterclockwise rotation, slow to fast

8Ch

Channel	Function	Value	Percent/Setting
1	Dimmer	000 ⇔ 255	0–100%
2	Red	000 ⇔ 255	0–100%
3	Green	000 ⇔ 255	0–100%
4	Blue	000 ⇔ 255	0–100%
5	Amber	000 ⇔ 255	0–100%
6	Mint	000 ⇔ 255	0–100%
7	Strobe	000 ⇔ 010	No function
		011 ⇔ 255	Strobe, slow to fast
8	Gobo rotator	000 ⇔ 127	Index
		128 ⇔ 190	Clockwise rotation, fast to slow
		191 ⇔ 192	Stop
		193 ⇔ 255	Counterclockwise rotation, slow to fast

6Ch

Channel	Function	Value	Percent/Setting
1	Red	000 ⇄ 255	0–100%
2	Green	000 ⇄ 255	0–100%
3	Blue	000 ⇄ 255	0–100%
4	Amber	000 ⇄ 255	0–100%
5	Mint	000 ⇄ 255	0–100%
6	Gobo rotator	000 ⇄ 127	Index
		128 ⇄ 190	Clockwise rotation, fast to slow
		191 ⇄ 192	Stop
		193 ⇄ 255	Counterclockwise rotation, slow to fast

5Ch

Channel	Function	Value	Percent/Setting
1	Dimmer	000 ⇄ 255	0–100%
2	Virtual color wheel	000 ⇄ 255	Refer to Virtual Color Wheel Chart
3	Color temperature	000 ⇄ 255	Refer to Color Temperature DMX Chart
4	Hue	000 ⇄ 000	0
		001 ⇄ 255	-25–25
5	Gobo rotator	000 ⇄ 127	Index
		128 ⇄ 190	Clockwise rotation, fast to slow
		191 ⇄ 192	Stop
		193 ⇄ 255	Counterclockwise rotation, slow to fast

1Ch

Channel	Function	Value	Percent/Setting
1	Dimmer	000 ⇄ 255	0–100%

Acerca de Esta Guía

La Guía de Referencia Rápida (GRR) del Ovation Rêve E-3 contiene información básica sobre el producto, como montaje, opciones de menú y valores DMX. Descargue el Manual de Usuario de www.chauvetprofessional.com para información más detallada.

Exención de Responsabilidad

La información y especificaciones contenidas en esta GRR están sujetas a cambio sin previo aviso.

GARANTÍA LIMITADA

PARA VER EL REGISTRO DE GARANTÍA Y LOS TÉRMINOS Y CONDICIONES COMPLETOS, VISITE NUESTRO SITIO WEB.

Para clientes en los Estados Unidos y México: www.chauvetlighting.com/warranty-registration.

Para clientes en Reino Unido, República de Irlanda, Bélgica, Países Bajos, Luxemburgo, Francia y Alemania: www.chauvetlighting.eu/warranty-registration/.

Chauvet garantiza que este producto estará libre de defectos de material y mano de obra en condiciones de uso normales, durante el periodo especificado, sujeto siempre a las exclusiones y limitaciones establecidas en la garantía limitada completa de nuestro sitio web. Esta garantía se concede únicamente al comprador original del producto y no es transferible. Para ejercer los derechos que otorga esta garantía, usted debe proporcionar una prueba de compra en forma de un recibo de compra original, expedido por un distribuidor autorizado, donde figure el nombre del producto y la fecha de compra. **NO EXISTEN OTRAS GARANTÍAS EXPRESAS NI IMPLÍCITAS.** Esta garantía le otorga derechos legales específicos. Es posible que a usted le asistan otros derechos, que variarán dependiendo del estado o del país. Esta garantía solamente es válida en los Estados Unidos, Reino Unido, República de Irlanda, Bélgica, Países Bajos, Luxemburgo, Francia, Alemania y México. Para conocer los términos de garantía en otros países, consulte a su distribuidor local.

Notas de Seguridad

- La luminaria debe colocarse de forma que no sea previsible que se mire fijamente hacia ella a una distancia menor de 3,0 m.
- Si se daña el cable externo flexible de esta luminaria, se sustituirá con un cable especial o con un cable disponible exclusivamente a través del fabricante o de su agente de servicio técnico.
- Solo el fabricante, su agente de servicio o un técnico de similar cualificación podrán reemplazar la fuente de luz contenida en esta luminaria.
- La luminaria está destinada exclusivamente a un uso profesional.
- NO abra este producto. No contiene piezas reparables por el usuario.
- NO mire a la fuente de luz cuando el producto esté encendido.
- NO ponga en funcionamiento este producto en el exterior o en cualquier ubicación en la que el polvo, calor excesivo, agua o humedad puedan afectarlo (IP20).
- NO deje ningún material inflamable a menos de 50 cm de este producto mientras esté funcionando o conectado a la alimentación.
- NO ponga en funcionamiento este producto si sospecha que la carcasa, lentes o cables están dañados.
- NO conecte este producto a un atenuador o reostato.
- CUIDADO: La carcasa de este producto está caliente cuando las luces están en funcionamiento.
- CUIDADO: Cuando transfiera el producto desde ambientes con temperatura extrema (p. ej., del remolque frío de un camión a una sala de baile con calor y humedad), puede formarse condensación en la electrónica interna del producto. Para evitar que se produzca una avería, deje que el producto se aclimate completamente al ambiente antes de conectar la alimentación.
- USE un cable de seguridad cuando monte este producto en lo alto.
- Conecte este producto SOLO a un circuito con toma de tierra y protegido.
- Use SOLAMENTE los soportes de colgar/montar para mover este producto.
- Monte este producto en una ubicación con ventilación adecuada, al menos a 20" (50 cm) de superficies adyacentes.
- Para evitar un desgaste innecesario y alargar su vida útil, desconecte completamente el producto de la alimentación, mediante el interruptor o desenchufándolo, durante los periodos en los que no se use.
- En caso de un problema grave de funcionamiento, deje de usarlo inmediatamente.
- La máxima temperatura ambiente es de 113 °F (45 °C). No haga funcionar este producto a temperaturas más altas.

Cumplimiento de la FCC

Este dispositivo cumple la parte 15, parte B de las normas FCC. El funcionamiento está supeditado al cumplimiento de estas dos condiciones:

1. Este dispositivo no puede causar interferencias perjudiciales; y
2. Este dispositivo debe aceptar cualquier interferencia recibida, incluyendo las interferencias que puedan causar un funcionamiento no deseado.

Cualquier cambio o modificación que no haya sido expresamente autorizado por la parte responsable de conformidad puede anular la potestad del usuario para hacer funcionar el equipo.

Contacto

Fuera de EE. UU., Reino Unido, Irlanda, Benelux, Francia, Alemania o México, póngase en contacto con su distribuidor para solicitar asistencia o devolver el producto. Visite [Contact Us](#) para información de contacto.

Qué va Incluido

- Ovation Rêve E-3
- Cable de alimentación Seetronic Powerkon
- Filtro de enfoque suave
- Ovation soporte de gobo de metal
- Guía de Referencia Rápida



Si hay una película protectora sobre el filtro de enfoque suave, hay que quitarla antes del uso. El filtro está en un soporte en la ranura de gobo de metal.

Corriente Alterna

Este producto tiene una fuente de alimentación con detección automática que puede funcionar con un rango de tensión de entrada de 100 a 240 VCA, 50/60 Hz.

Alimentación en Cadena

Puede enlazar hasta 3 productos Ovation Rêve E-3 a 100 V, 4 productos a 120 V, 7 a 208 V, 8 a 230 V, o 8 productos a 240 V. Nunca sobrepase este número. Los cables de alimentación en cadena se pueden adquirir por separado.

Enchufe CA

Conexión	Cable (EE.UU.)	Cable (Europa)	Color del tornillo
CA Cargado	Negro	Marrón	Amarillo/Latón
CA Neutro	Blanco	Azul	Plata
CA Tierra	Verde/Amarillo	Verde/Amarillo	Verde



Para evitar un desgaste innecesario y alargar su vida útil, desconecte complemente el producto de la alimentación, mediante el interruptor o desenchufándolo, durante los periodos en los que no se use.

Sustitución del Fusible

1. Desconecte el producto de la toma de corriente.
2. Con un destornillador Phillips, desatornille la tapa del portafusibles.
3. Quite el fusible fundido del portafusibles y sustitúyalo con otro del mismo tipo y categoría.
4. Vuelva a atornillar la tapa del portafusibles en su sitio y conecte de nuevo la alimentación.

Enlace DMX

El Ovation Rêve E-3 funcionará con un controlador DMX usando una conexión serial DMX de 3- y 5-pines. Hay un manual DMX disponible en www.chauvetprofessional.com.

Conexión DMX

El Ovation Rêve E-3 usa una conexión de datos DMX de 3 y 5 pines para sus personalidades: **1Ch, 5Ch, 6Ch, 8Ch, 12Ch, 14Ch1, 14Ch2, 18Ch** y **HSV**. Vea el Manual de Usuario para conectar y configurar para funcionamiento DMX.

Conexión Maestro/Esclavo

El Ovation Rêve E-3 usa la conexión de datos DMX para su modo Maestro/Esclavo. Vea el Manual de Usuario para conectar y configurar para funcionamiento Maestro/Esclavo.

RDM (gestión remota del dispositivo)

Remote Device Management (gestión remota del dispositivo) o RDM, es un estándar que permite a los dispositivos con capacidad DMX una comunicación bidireccional por un cableado DMX existente. El Ovation Rêve E-3 admite protocolo RDM, que posibilita información para supervisar cambiar las opciones del mapa de menú. Descargue el manual de usuario de www.chauvetprofessional.com para una información más detallada.

Actualización de software USB

El Ovation Rêve E-3 permite la actualización de software por USB utilizando el puerto USB incorporado. Para actualizar el software utilizando una unidad USB, haga lo siguiente:

1. Encienda el aparato y conecte la unidad USB al puerto USB.
2. Una vez detectada la unidad, aparecerá el mensaje "Upgrade Firmware (Actualizar firmware)". Pulse <ENTER>.
 - Si aparece un mensaje diferente en la pantalla, busque el software actualizado en el menú (**Update Firmware**) y seleccione de **Only This Unit, Multiple Units** o **Other Fixture Type**. Se mostrará una lista de los archivos de software actualizados.
3. Seleccione el archivo que necesite cargarse. Aparecerá el mensaje "Are you sure? (¿Está seguro?)". Pulse <ENTER>.
4. Si el archivo seleccionado es correcto, se completará la mejora. Reinicie el aparato.
 - Si el archivo seleccionado es incorrecto, la mejora fallará y la pantalla volverá a la interfaz principal. Repita los pasos 1–3 utilizando el archivo correcto.



El archivo con formato .chl tiene que colocarse en la carpeta "OVATION" en la unidad USB.



La opción "Other Fixture Type" solo se puede seleccionar para productos conectados compatibles con la Upload 03 (los primeros 2 dígitos del código del artículo deben ser 03).

Tubos de Lentes

Los siguientes tubos de lentes están disponibles para su compra:

- 19°, 26°, 36° y 50° marco de gel (accesorios 6,25"/159 mm)

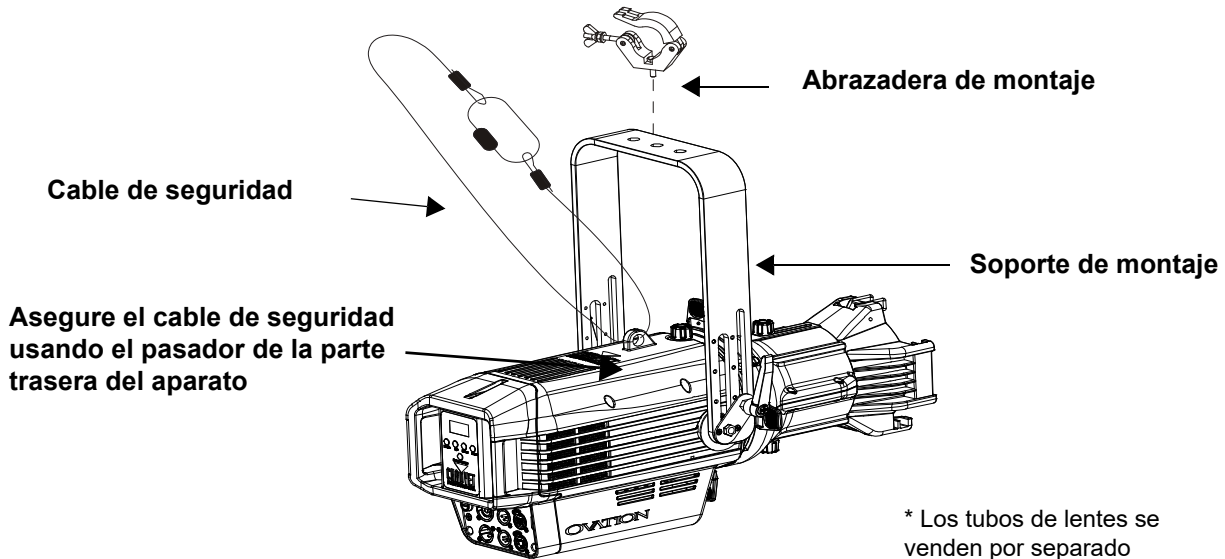
ES

- 5° marco de gel con zoom (14"/356 mm)
- 10° marco de gel con zoom (12"/304 mm)
- 14°, 15–30° y 25°–50° marco de gel con zoom (accesorios 7,5"/191 mm)

Montaje

Antes de montar este producto, lea las [Notas de Seguridad](#). Asegúrese de que las abrazaderas de montaje son capaces de soportar el peso del producto. Para nuestra línea Chauvet de abrazaderas de montaje, visite: <http://trusst.com/productcategory/truss-clamps/>.

Diagrama de Montaje del Producto

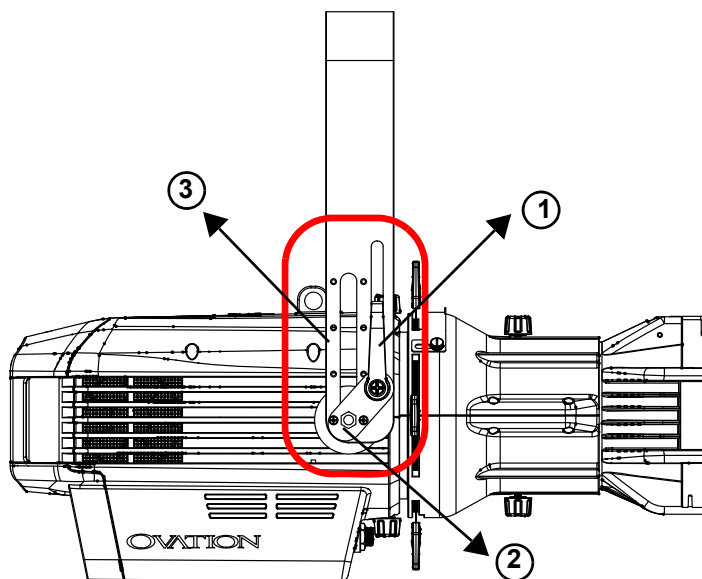


Montaje en Altura

Yugo Regulable

El Ovation Rêve E-3 viene con un yugo regulable para montarlo en zonas con baja altura. Para ajustar la altura del yugo, haga lo siguiente:

1. Afloje los mandos de ajuste del soporte en ambos lados del aparato.
2. En cada lado del aparato, retire los dos tornillos y afloje el perno que fija la placa al soporte de montaje.
3. Usando los agujeros del tornillo como guía, ajuste la posición del soporte de montaje para colocar el yugo a la altura deseada.
4. Vuelva a colocar los tornillos y apriete los pernos y los mandos de ajuste del soporte.



Rueda de Color Virtual (VCW)

El Ovation Rêve E-3 incluye una función de rueda de color virtual llamada Virtual Color Wheel (VCW). Esta función está disponible como modo de control independiente para uso manual y también como canal de control en algunas personalidades DMX del dispositivo. Más de 30 colores premezclados, elaborados por nuestros ingenieros, están disponibles para facilitarle la programación.

Los valores DMX utilizados para mezclar estos colores se indican más abajo. Puede ajustar la intensidad general del dispositivo Ovation para reproducir más fielmente los colores a los que esté habituado. Hay un gráfico a su disposición en nuestro sitio web www.chauvetprofessional.com para comparar nuestros colores premezclados con los colores de gel más populares. Este gráfico sirve solamente para comparar y no implica que nuestros colores premezclados coincidan exactamente con los colores de gel listados.

Tabla de colores VCW

Valor del Canal DMX	Lectura en Pantalla	Valor Rojo	Valor Verde	Valor Azul	Valor Ámbar	Valor Verde Menta
000 ⇔ 005	--	--	--	--	--	--
006 ⇔ 013	C3050 - Md Yellow	255	225	0	255	37
014 ⇔ 021	C3040 - Lt Yellow	255	177	3	255	37
022 ⇔ 028	C3240 - Amb Yellow	255	220	0	255	0
029 ⇔ 035	C2340 - V Lt Amber	195	0	15	255	57
036 ⇔ 043	C2040 - Lt Amber	255	0	11	255	61
044 ⇔ 051	C2050 - Md Amber	255	53	0	255	17
052 ⇔ 059	C2060 - Dk Amber	255	8	0	255	17
060 ⇔ 067	C1050 - Lt Red	255	0	3	14	0
068 ⇔ 075	C1080 - Md Red	255	0	2	0	0
076 ⇔ 083	C1020 - NC Pink	255	75	62	255	73
084 ⇔ 091	C1030 - Md Pink	255	75	57	255	41
092 ⇔ 099	C1630 - Dk Pink	218	77	57	255	61
100 ⇔ 107	C1250 - Md Red Amber	255	0	9	168	0
108 ⇔ 115	C1060 - Dk Red Amber	255	5	9	36	0
116 ⇔ 121	C1650 - Magenta	255	3	62	255	12
122 ⇔ 130	C6170 - Dk Magenta	255	0	55	0	0
131 ⇔ 138	C6020 - Lt Lavender	255	220	93	255	44
139 ⇔ 146	C5030 - Lt Blue	0	255	159	112	78
147 ⇔ 154	C5020 - V Lt Blue	0	215	145	196	65
155 ⇔ 162	C5430 - Lt Blue2	0	215	132	52	92
163 ⇔ 170	C5070 - Blue	0	195	188	0	19
171 ⇔ 178	C5050 - Md Blue	0	163	190	0	68
179 ⇔ 186	C5060 - Dk Blue	0	128	193	0	38
187 ⇔ 194	C5690 - Indigo	53	9	255	0	0
195 ⇔ 202	C5080 - VDk Blue	7	84	116	0	0
203 ⇔ 210	C5081 - VDk Blue2	11	82	139	0	0
211 ⇔ 218	C4370 - Yel Green	0	255	2	25	0
219 ⇔ 226	C4070 - Green	0	255	9	0	175
227 ⇔ 234	C4550 - Turquoise	0	255	87	96	255
235 ⇔ 242	C4560 - Aqua	0	255	98	44	255
243 ⇔ 250	C4570 - Blue Green	0	255	26	8	0
251 ⇔ 255	--	--	--	--	--	--



Nota: Los colores listados son interpretaciones simuladas de la emisión de color generada en comparación con otros productos incandescentes similares. Chauvet no garantiza la exactitud del color emitido.

Gráfico de temperaturas de color

Temperatura del Color	Valor Rojo	Valor Verde	Valor Azul	Valor Ambar	Valor Verde Menta
2800K	253	0	25	255	145
2900K	253	3	28	255	153
3000K	251	5	33	255	161
3100K	248	7	36	255	169
3200K	245	9	45	255	173
3300K	242	13	47	255	182
3400K	237	22	53	255	185
3500K	230	30	58	255	185
3600K	225	40	64	255	185
3700K	221	48	70	255	185
3800K	220	48	74	255	197
3900K	220	50	79	255	203
4000K	210	58	84	255	203
4100K	205	63	88	255	203
4200K	199	68	95	255	204
4300K	189	69	98	255	204
4400K	183	71	103	255	204
4500K	174	78	107	255	204
4600K	170	80	112	255	204
4700K	166	89	119	255	204
4800K	164	98	123	255	203
4900K	163	100	129	255	205
5000K	163	103	137	255	206
5100K	163	108	142	255	208
5200K	163	116	147	255	208
5300K	163	118	156	255	210
5400K	162	122	162	255	216
5500K	162	124	166	255	224
5600K	162	127	172	255	229
5700K	159	127	177	255	231
6000K	158	134	192	241	231
6500K	152	152	206	225	231
7000K	144	157	224	218	231
7500K	127	172	238	218	231
8000K	122	175	245	200	231



Nota: Las temperaturas de color que aparecen arriba son interpretaciones simuladas de la emisión de color producida cuando se compara con una lámpara de tungsteno a la temperatura de color especificada. Chauvet no garantiza la exactitud del color emitido.

Gráfico DMX de temperatura de color

Canales de DMX	Temperatura del Color	Canales de DMX	Temperatura del Color	Canales de DMX	Temperatura del Color
000 ⇔ 005	Sin función	084 ⇔ 090	3900–4000K	168 ⇔ 174	5100–5200K
006 ⇔ 013	2800–2900K	091 ⇔ 097	4000–4100K	175 ⇔ 181	5200–5300K
014 ⇔ 020	2900–3000K	098 ⇔ 104	4100–4200K	182 ⇔ 188	5300–5400K
021 ⇔ 027	3000–3100K	105 ⇔ 111	4200–4300K	189 ⇔ 195	5400–5500K
028 ⇔ 034	3100–3200K	112 ⇔ 118	4300–4400K	196 ⇔ 202	5500–5600K
035 ⇔ 041	3200–3300K	119 ⇔ 125	4400–4500K	203 ⇔ 209	5600–5700K
042 ⇔ 048	3300–3400K	126 ⇔ 132	4500–4600K	210 ⇔ 216	5700–6000K
049 ⇔ 055	3400–3500K	133 ⇔ 139	4600–4700K	217 ⇔ 223	6000–6500K
056 ⇔ 062	3500–3600K	140 ⇔ 146	4700–4800K	224 ⇔ 230	6500–7000K
063 ⇔ 069	3600–3700K	147 ⇔ 153	4800–4900K	231 ⇔ 237	7000–7500K
070 ⇔ 076	3700–3800K	154 ⇔ 160	4900–5000K	238 ⇔ 244	7500–8000K
077 ⇔ 083	3800–3900K	161 ⇔ 167	5000–5100K	245 ⇔ 255	8000K

Descripción del Panel de Control

Botón	Función
<MENU>	Sale del menú o función actual
<ENTER>	Habilita el menú actualmente en pantalla o configura el valor seleccionado actualmente dentro de la función seleccionada
<UP>	Navega hacia arriba por la lista de menú o aumenta el valor numérico cuando está en una función
<DOWN>	Navega hacia abajo por la lista de menú o disminuye el valor numérico cuando está en una función
<FOCUS>	Configura el aparato en modo Foco, que pone la unidad a máxima potencia para facilitar el enfoque sin cambiar ningún otro ajuste del aparato. Pulse de nuevo para abandonar el modo Foco.

Mapa de Menú

Consulte la página del producto Ovation Rêve E-3 en www.chauvetprofessional.com para ver el último mapa de menú.

Principal	Niveles de Programación		Descripción	
DMX Address	001–512*		Selecciona la dirección de inicio (*canal más alto restringido a la elección de personalidad)	
DMX Channel	1Ch	Virtual Color Wheel	1 canal: atenuador	
		Color Temperature		
		Manual Color Mixer		
		5Ch	5 canales: atenuador, VCW, temperatura de color, tono, rotador de gobos	
		6Ch	6 canales: RVAA, verde menta, rotador de gobos	
		8Ch	8 canales: RVAA, verde menta, atenuador, estroboscopio, rotador de gobos	
		12Ch	12 canales: 16-bits atenuador, RVAA, verde menta, estroboscopio, VCW, temperatura de color, tono, rotador de gobos	
		14Ch1	14 canales: atenuador, RVAA, verde menta, estroboscopio, VCW, temperatura de color, programas automática, velocidad automática, control, rotador de gobos	
		14Ch2	14 canales: 16-bits RVAA, verde menta y atenuador, estroboscopio, rotador de gobos	
	18Ch	18 canales: 16-bits atenuador, 16-bits RVAA, verde menta, estroboscopio, VCW, temperatura de color, tono, control, rotador de gobos		
	HSV	4 canales: tono, saturación, valor, rotador de gobos		
Virtual Color Wheel	Virtual Color Wheel	C3050 - Md Yellow C3040 - Lt Yellow C3240 - Amb Yellow C2340 - VLt Amber C2040 - Lt Amber C2050 - Md Amber C2060 - Dk Amber C1050 - Lt Red C1080 - Md Red C1020 - NC Pink C1030 - Md Pink C1630 - Dk Pink C1250 - Md Red Amber C1060 - Dk Red Amber C1650 - Magenta C6170 - Dk Magenta C6020 - Lt Lavender C5030 - Lt Blue C5020 - VLt Blue C5430 - Lt Blue 2 C5070 - Blue C5050 - Md Blue C5060 - Dk Blue C5690 - Indigo C5080 - VDk Blue	Dimmer 000–255	Rueda de Color Virtual simula la emisión de cada gel de color. Consulte la sección Tabla de colores VCW para ver los valores específicos.

Principal	Niveles de Programación		Descripción		
Virtual Color Wheel	Virtual Color Wheel	C5081 - Vdk Blue 2 C4370 - Yel Green C4070 - Green C4550 - Turquoise C4560 - Aqua C4570 - Blue Green	Dimmer 000–255	Rueda de Color Virtual simula la emisión de cada gel de color. Consulte la sección Tabla de colores VCW para ver los valores específicos.	
	Virtual Color Wheel	Color Temperature	Dimmer	0–255	Temperaturas de color blanco. Emula una lámpara de tungsteno a la temperatura de color especificada. Consulte el apartado Gráfico de temperaturas de color para ver valores concretos.
			Hue	-25–25	
Manual Color Mixer	Red Green Blue Amber Mint	000–255	Combina rojo, verde, azul, ámbar y verde menta para generar un color personalizado (0–100%)		
Auto Show	Auto 1–5	1–100	Selecciona programas automáticos y velocidad		
Red Shift	On		Imita la atenuación de una lámpara halógena		
	Off				
Gobo Rotator	000–255		Controla el rotador de gobos		
Master/Slave	Master		Recibe señales DMX del controlador DMX (maestro)		
	Slave		Recibe señales del maestro		
Dimmer Curve	SCurve Linear Square Inverse Square		Configura la curva del atenuador		

Principal	Niveles de Programación		Descripción	
Dimmer Mode	Off		Atenuador lineal	
	Dimmer 1-3		Curvas de atenuador, rápido (Dimmer 1) a lento (Dimmer 3)	
Color Calibration	Off		Desactiva la calibración de color	
	User Calibration	Red	125-255	Establece el valor máximo de LED rojo
		Green		Establece el valor máximo de LED verde
		Blue		Establece el valor máximo de LED azul
		Amber		Establece el valor máximo de LED ámbar
		Mint		Establece el valor máximo de LED verde menta
Factory Calibration		Utiliza la configuración de blanco predeterminada de fábrica		
LED Frequency	600Hz 1200Hz 2000Hz 4000Hz 6000Hz 25KHz		Selecciona la frecuencia de emisión PWM	
Fan Mode	Auto		Establece el ventilador a modo auto	
	On		Establece el ventilador a modo siempre encendido	
	Off		Establece el ventilador siempre apagado	
	Silent		Establece el ventilador en silencio	
Back Light	10S		Retro-iluminación se apaga después de 10 segundos	
	30S		Retro-iluminación se apaga después de 30 segundos	
	2Min		Retro-iluminación se apaga después de 2 minutos	
	Always On		Retro-iluminación de la pantalla siempre activa	
Gobo Power	On		Activa o desactiva el salida de alimentación de gobo	
	Off			
Information	Fixture Hours	---H	Muestra el nombre total de las horas del producto	
	LED Hours	---H	Muestra el nombre total de las horas del LED	
	Version	V_.	Muestra instalada la versión de firmware	
	UID	-----	Muestra el UID # del producto	
Update Firmware	Only This Unit	-----CHL ...	Muestra los archivos de actualización para este producto, o muestra "No such file!"	
	Multiple Units	-----CHL ...	Muestra los archivos de actualización para este producto y productos Ovation Rêve E-3 conectados, o muestra "No such file!"	
		-----CHL ...	Muestra los archivos de actualización para otros productos conectados, o muestra "No such file!"	
	Other Fixture Type	-----CHL ...	Muestra los archivos de actualización para otros productos conectados, o muestra "No such file!"	
Reset Factory	No		Reinicia a la configuración de fábrica	
	Yes			



ADVERTENCIA: Cuando funcione en modo ventilador: apagado, el aparato estará más caliente al tacto que si se usan otros modos de ventilador. Utilice un equipo de protección adecuado para evitar quemaduras. Mantenga una distancia de seguridad con objetos inflamable.



AVISO: Cuando funcione en modo ventilador: apagado, bajará el rendimiento del aparato y no alcanzará los mismos niveles que cuando use otros modos de ventilador.

Valores DMX

HSV

Canal	Función	Valor	Porcentaje/Configuración
1	Tono	000 ⇔ 255	0-100%
2	Saturación	000 ⇔ 255	0-100%
3	Valor	000 ⇔ 255	0-100%
4	Gobo rotator	000 ⇔ 127	Índice
		128 ⇔ 190	Rotación en sentido horario, rápido a lento
		191 ⇔ 192	Parada
		193 ⇔ 255	Rotación en sentido antihorario, de lenta a rápida

ES

18Ch

Canal	Función	Valor	Porcentaje/Configuración
1	Atenuador	000 ⇔ 255	0–100%
2	Atenuador fino	000 ⇔ 255	0–100%
3	Rojo	000 ⇔ 255	0–100%
4	Rojo fino	000 ⇔ 255	0–100%
5	Verde	000 ⇔ 255	0–100%
6	Verde fino	000 ⇔ 255	0–100%
7	Azul real	000 ⇔ 255	0–100%
8	Azul real fino	000 ⇔ 255	0–100%
9	Ámbar	000 ⇔ 255	0–100%
10	Ámbar fino	000 ⇔ 255	0–100%
11	Verde menta	000 ⇔ 255	0–100%
12	Verde menta fino	000 ⇔ 255	0–100%
13	Estroboscopio	000 ⇔ 010 011 ⇔ 255	Sin función Estroboscopio, lento a rápido
14	Rueda de color virtual	000 ⇔ 255	Referirse a Tabla de colores VCW
15	Temperature del color	000 ⇔ 255	Referirse a Gráfico DMX de temperatura de color
16	Tono	000 ⇔ 000 001 ⇔ 255	0 -25–25
17	Control (mantenga para 3 segundos)	000 ⇔ 007 008 ⇔ 015 016 ⇔ 023 024 ⇔ 031 032 ⇔ 039 040 ⇔ 047 048 ⇔ 055 056 ⇔ 063 064 ⇔ 071 072 ⇔ 079 080 ⇔ 087 088 ⇔ 095 096 ⇔ 103 104 ⇔ 111 112 ⇔ 119 120 ⇔ 127 128 ⇔ 255	Sin función Reiniciar el atenuador Cambio a rojo apagado Cambio a rojo encendido Curva de atenuador curva-S Curva de atenuador lineal Curva de atenuador cuadrado Curva atenuador cuadrado inverso Modo velocidad del atenuador desactivado Velocidad de atenuador 1 (rápida) Velocidad de atenuador 2 Velocidad de atenuador 3 (lenta) Ventilador a modo auto Ventilador a modo encendido Ventilador a modo apagado Ventilador a modo silencio Reservado para utilización futura
18	Gobo rotator	000 ⇔ 127 128 ⇔ 190 191 ⇔ 192 193 ⇔ 255	Índice Rotación en sentido horario, rápido a lento Parada Rotación en sentido antihorario, de lenta a rápida

14Ch1

Canal	Función	Valor	Porcentaje/Configuración
1	Atenuador	000 ⇔ 255	0–100%
2	Rojo	000 ⇔ 255	0–100%
3	Verde	000 ⇔ 255	0–100%
4	Azul	000 ⇔ 255	0–100%
5	Ámbar	000 ⇔ 255	0–100%
6	Verde Menta	000 ⇔ 255	0–100%
7	Estroboscopio	000 ⇔ 010 011 ⇔ 255	Sin función Estroboscopico, lento a rápido
8	Rueda de color virtual	000 ⇔ 255	Referirse a Tabla de colores VCW
9	Temperature del color	000 ⇔ 255	Referirse a Gráfico DMX de temperatura de color
10	Tono	000 ⇔ 000 001 ⇔ 255	0 -25–25

Canal	Función	Valor	Porcentaje/Configuración
11	Programas automática	000 ⇔ 010	Sin función
		011 ⇔ 060	Auto programas 1
		061 ⇔ 110	Auto programas 2
		111 ⇔ 160	Auto programas 3
		161 ⇔ 210	Auto programas 4
		211 ⇔ 255	Auto programas 5
12	Velocidad automática	000 ⇔ 255	0–100%
13	Control (mantenga para 3 segundos)	000 ⇔ 007	Sin función
		008 ⇔ 015	Reiniciar el atenuador
		016 ⇔ 023	Cambio a rojo apagado
		024 ⇔ 031	Cambio a rojo encendido
		032 ⇔ 039	Curva de atenuador curva-S
		040 ⇔ 047	Curva de atenuador lineal
		048 ⇔ 055	Curva de atenuador cuadrado
		056 ⇔ 063	Curva atenuador cuadrado inverso
		064 ⇔ 071	Modo velocidad del atenuador desactivado
		072 ⇔ 079	Velocidad de atenuador 1 (rápida)
		080 ⇔ 087	Velocidad de atenuador 2
		088 ⇔ 095	Velocidad de atenuador 3 (lenta)
		096 ⇔ 103	Ventilador a modo auto
		104 ⇔ 111	Ventilador a modo encendido
112 ⇔ 119	Ventilador a modo apagado		
120 ⇔ 127	Ventilador a modo silencio		
128 ⇔ 255	Reservado para utilización futura		
14	Gobo rotator	000 ⇔ 127	Índice
		128 ⇔ 190	Rotación en sentido horario, rápido a lento
		191 ⇔ 192	Parada
		193 ⇔ 255	Rotación en sentido antihorario, de lenta a rápida

14Ch2

Canal	Función	Valor	Porcentaje/Configuración
1	Atenuador	000 ⇔ 255	0–100%
2	Atenuador fino	000 ⇔ 255	0–100%
3	Rojo	000 ⇔ 255	0–100%
4	Rojo fino	000 ⇔ 255	0–100%
5	Verde	000 ⇔ 255	0–100%
6	Verde fino	000 ⇔ 255	0–100%
7	Azul real	000 ⇔ 255	0–100%
8	Azul real fino	000 ⇔ 255	0–100%
9	Ámbar	000 ⇔ 255	0–100%
10	Ámbar fino	000 ⇔ 255	0–100%
11	Verde menta	000 ⇔ 255	0–100%
12	Verde menta fino	000 ⇔ 255	0–100%
13	Estroboscopio	000 ⇔ 010	Sin función
		011 ⇔ 255	Estroboscopio, lento a rápido
14	Gobo rotator	000 ⇔ 127	Índice
		128 ⇔ 190	Rotación en sentido horario, rápido a lento
		191 ⇔ 192	Parada
		193 ⇔ 255	Rotación en sentido antihorario, de lenta a rápida

12Ch

Canal	Función	Valor	Porcentaje/Configuración
1	Atenuador	000 ⇔ 255	0–100%
2	Atenuador fino	000 ⇔ 255	0–100%
3	Rojo	000 ⇔ 255	0–100%
4	Verde	000 ⇔ 255	0–100%

ES

Canal	Función	Valor	Porcentaje/Configuración
5	Azul	000 ⇔ 255	0–100%
6	Ámbar	000 ⇔ 255	0–100%
7	Verde menta	000 ⇔ 255	0–100%
8	Estroboscopio	000 ⇔ 010	Sin función
		011 ⇔ 255	Estroboscopico, lento a rápido
9	Rueda de color virtual	000 ⇔ 255	Referirse a Tabla de colores VCW
10	Temperature del color	000 ⇔ 255	Referirse a Gráfico DMX de temperatura de color
11	Tono	000 ⇔ 000	0
		001 ⇔ 255	-25–25
12	Gobo rotator	000 ⇔ 127	Índice
		128 ⇔ 190	Rotación en sentido horario, rápido a lento
		191 ⇔ 192	Parada
		193 ⇔ 255	Rotación en sentido antihorario, de lenta a rápida

8Ch

Canal	Función	Valor	Porcentaje/Configuración
1	Atenuador	000 ⇔ 255	0–100%
2	Rojo	000 ⇔ 255	0–100%
3	Verde	000 ⇔ 255	0–100%
4	Azul	000 ⇔ 255	0–100%
5	Ámbar	000 ⇔ 255	0–100%
6	Verde menta	000 ⇔ 255	0–100%
7	Estroboscopio	000 ⇔ 010	Sin función
		011 ⇔ 255	Estroboscopico, lento a rápido
8	Gobo rotator	000 ⇔ 127	Índice
		128 ⇔ 190	Rotación en sentido horario, rápido a lento
		191 ⇔ 192	Parada
		193 ⇔ 255	Rotación en sentido antihorario, de lenta a rápida

6Ch

Canal	Función	Valor	Porcentaje/Configuración
1	Rojo	000 ⇔ 255	0–100%
2	Verde	000 ⇔ 255	0–100%
3	Azul	000 ⇔ 255	0–100%
4	Ámbar	000 ⇔ 255	0–100%
5	Verde menta	000 ⇔ 255	0–100%
6	Gobo rotator	000 ⇔ 127	Índice
		128 ⇔ 190	Rotación en sentido horario, rápido a lento
		191 ⇔ 192	Parada
		193 ⇔ 255	Rotación en sentido antihorario, de lenta a rápida

5Ch

Canal	Función	Valor	Porcentaje/Configuración
1	Atenuador	000 ⇔ 255	0–100%
2	Temperatura del color	000 ⇔ 255	Referirse a Tabla de colores VCW
5	Temperature del color	000 ⇔ 255	Referirse a Gráfico DMX de temperatura de color
4	Tono	000 ⇔ 000	0
		001 ⇔ 255	-25–25
5	Gobo rotator	000 ⇔ 127	Índice
		128 ⇔ 190	Rotación en sentido horario, rápido a lento
		191 ⇔ 192	Parada
		193 ⇔ 255	Rotación en sentido antihorario, de lenta a rápida

1Ch

Canal	Función	Valor	Porcentaje/Configuración
1	Atenuador	000 ⇔ 255	0–100%

À Propos de ce Manuel

Le Manuel de Référence du Ovation Rêve E-3 (MR) reprend des informations de base sur cet appareil notamment en matière de connexions, montage, options de menu et valeurs DMX. Télécharger le Manuel d'Utilisation sur www.chauvetprofessional.com pour de plus amples informations.

Clause de Non-Responsabilité

Les informations et caractéristiques contenues dans ce manuel sont sujettes à changement sans préavis.

GARANTIE LIMITÉE

VEUILLEZ VISITER NOTRE SITE INTERNET POUR CONSULTER LES MODALITÉS D'ENREGISTREMENT DE LA GARANTIE ET LES CONDITIONS GÉNÉRALES COMPLÈTES.

Pour les clients aux États-Unis et au Mexique: www.chauvetlighting.com/warranty-registration.

Pour les clients du Royaume-Uni, de la République d'Irlande, de la Belgique, des Pays-Bas, du Luxembourg, de la France et de l'Allemagne: www.chauvetlighting.eu/warranty-registration/.

Chauvet garantit que cet appareil est exempt de défauts de matériaux et de fabrication dans des conditions normales d'utilisation, pendant la période spécifiée dans la garantie limitée complète consultable sur notre site Internet et sous réserve des exclusions et limitations qui y sont énoncées. Cette garantie ne s'applique qu'à l'acheteur initial du produit et n'est pas transférable. Pour exercer les droits prévus par cette garantie, vous devez fournir une preuve d'achat sous la forme d'un reçu de vente original d'un revendeur autorisé qui indique le nom du produit et la date d'achat. IL N'EXISTE AUCUNE AUTRE GARANTIE EXPRESSE OU IMPLICITE. Cette garantie vous confère des droits légaux spécifiques. Vous pouvez également bénéficier d'autres droits qui varient selon les états et les pays. Cette garantie n'est valable qu'aux États-Unis, au Royaume-Uni, en République d'Irlande, en Belgique, aux Pays-Bas, au Luxembourg, en France, en Allemagne et au Mexique. Pour connaître les conditions de garantie dans d'autres pays, veuillez consulter votre revendeur local.

Consignes de Sécurité

- Le luminaire doit être placé de manière à ce qu'il ne soit pas possible de le regarder de manière fixe à une distance inférieure à 3,0 m.
- Si le câble ou le cordon flexible externe de ce luminaire est endommagé, il doit être remplacé par un câble ou cordon spécial disponible exclusivement auprès du fabricant ou de son prestataire de service.
- La source lumineuse contenue dans ce luminaire ne peut être remplacée que par le fabricant ou son prestataire de service ou une personne suffisamment qualifiée.
- Ce luminaire est uniquement réservé à un usage professionnel.
- N'ouvrez PAS cet appareil. Il ne contient aucun composant susceptible d'être réparé par l'utilisateur.
- Ne regardez PAS la source lumineuse lorsque l'appareil fonctionne.
- N'utilisez PAS ce produit en extérieur ou tout autre endroit où de la poussière, une chaleur excessive, de l'eau ou de l'humidité pour en affecter le fonctionnement (IP20).
- Ne laissez AUCUNE source inflammable dans un rayon de 50 cm de l'appareil lorsque celui-ci fonctionne.
- N'utilisez PAS cet appareil si le boîtier, les lentilles ou les câbles vous semblent endommagés.
- Ne connectez PAS cet appareil ni à un gradateur ni à un rhéostat.
- ATTENTION : le boîtier de cet appareil est brûlant lors du fonctionnement.
- ATTENTION : Lorsque l'appareil est transféré d'un environnement à température extrême à un autre (par exemple d'un camion froid vers une salle de bal chaude et humide), de la condensation peut se former sur les composants électriques internes. Pour éviter de causer des dommages, laissez l'appareil s'acclimater entièrement au milieu environnant avant de le mettre sous tension.
- Utilisez TOUJOURS un câble de sécurité lorsque vous montez cet appareil en hauteur.
- Connectez UNIQUEMENT cet appareil à un circuit protégé et relié à la terre.
- Transportez/Suspendez cet appareil UNIQUEMENT par le support de montage dont il est doté.
- Montez toujours cet appareil dans un endroit bien ventilé, à au moins, 20 pouces (50 cm) des surfaces adjacentes.
- Durant les périodes de non-utilisation, pour éviter toute usure inutile et pour prolonger la durée de vie, déconnectez-entièrement l'appareil en le débranchant de l'alimentation électrique ou en coupant le disjoncteur.
- En cas de sérieux problèmes de fonctionnement, arrêtez le système immédiatement.
- La température ambiante maximale supportée par cet appareil est de 113 °F (45 °C). Ne le faites pas fonctionner à des températures plus élevées.

Conformité FCC

Cet appareil est conforme à la partie 15, sous-partie B du règlement de la FCC. L'utilisation est soumise aux deux conditions suivantes :

1. Cet appareil ne doit pas causer d'interférences nuisibles, et
2. Cet appareil doit accepter toutes les interférences reçues, y compris celles pouvant entraîner un fonctionnement indésirable.

Tout changement ou modification non expressément approuvé par l'autorité responsable de la conformité pourrait annuler le droit de l'utilisateur à utiliser l'équipement.

Contact

En dehors des États-Unis, du Royaume-Uni, de l'Irlande, du Benelux, de la France, de l'Allemagne, ou du Mexique, contactez votre fournisseur si vous avez besoin d'assistance ou de retourner votre appareil. Consultez le site [Contact Us](#) pour trouver nos coordonnées.

Ce Qui est Inclus

- Ovation Rêve E-3
- Un cordon d'alimentation Seetronic Powerkon
- Filtre de flou
- Porte-gobo en métal
- Un Manuel de Référence



S'il y a un film de protection sur le filtre soft-focus, il faut l'enlever avant de l'utiliser. Le filtre est situé dans un support dans la fente métallique du gobo.

Alimentation CA

Cet appareil est doté d'une alimentation universelle prenant en charge toute tension d'entrée comprise entre 100 et 240 VCA, 50/60 Hz.

Connexion Électrique

Vous pouvez connecter jusqu'à 3 Ovation Rêve E-3 à 100 V, 4 unités à 120 V, 7 unités à 208 V, 8 unités à 230 V ou 8 unités à 240 V. Ne dépassez jamais cette limite. Vous pouvez vous procurer séparément des cordons d'alimentation.

Prise CA

Connexion	Câble (États-Unis)	Câble (Europe)	Couleur de la vis
Conducteur CA	Noir	Marron	Jaune/Cuivré
Neutre CA	Blanc	Bleu	Argenté
Terre CA	Vert/Jaune	Vert/Jaune	Vert



Durant les périodes de non-utilisation, pour éviter toute usure inutile et pour prolonger la durée de vie, déconnectez-entièrement l'appareil en le débranchant de l'alimentation électrique ou en coupant le disjoncteur.

Remplacement du Fusible

1. Débranchez l'appareil de la prise.
2. À l'aide d'un tournevis Phillips, dévissez le couvercle du porte-fusible.
3. Remplacez le fusible obsolète par un fusible neuf équivalent.
4. Revissez le couvercle du porte-fusible et rebranchez l'unité.

Raccordement DMX

Le Ovation Rêve E-3 fonctionnera avec un jeu d'orgues DMX au moyen de connexions série DMX à 3 et 5 broches. Une introduction au DMX est à votre disposition sur www.chauvetprofessional.com.

Connexion DMX

Le Ovation Rêve E-3 utilise une connexion de données DMX à 3 et 5 broches pour ses personnalités DMX: **1Ch, 5Ch, 6Ch, 8Ch, 12Ch, 14Ch1, 14Ch2, 18Ch** et **HSV**. Consultez le Manuel d'Utilisation pour connecter et configurer le système DMX.

Connexion Maître/ Esclave

Le Ovation Rêve E-3 utilise une connexion de données DMX pour son mode Maître/Esclave. Consultez le Manuel d'Utilisation pour connecter et configurer le mode de fonctionnement Maître/Esclave.

RDM (Gestion des périphériques à distance)

Le protocole RDM (gestion des périphériques à distance) est un standard pour la communication bidirectionnelle des appareils dotés de fonctions DMX dans un câblage DMX existant. Le Ovation Rêve E-3 supporte le protocole RDM permettant un retour d'information pour la surveillance et des changements des options de menu. Veuillez télécharger le manuel de l'utilisateur à partir du site internet www.chauvetprofessional.com pour plus de détails.

Mise à jour logicielle par USB

Le Ovation Rêve E-3 supporte une mise à jour logicielle par USB à l'aide du port USB intégré. Pour mettre à jour le logiciel à l'aide d'une clé USB, procédez comme suit:

1. Allumez l'appareil et branchez la clé USB dans le port USB.
2. Une fois que la clé USB a été détectée, le message « Upgrade Firmware » (mise à jour du micrologiciel) s'affiche. Appuyez sur **<ENTER>**.
 - Si un message différent apparaît à l'écran, recherchez le logiciel mis à jour dans le menu (**Update Firmware**) et sélectionnez parmi **Only This Unit**, **Multiple Units** ou **Other Fixture Type**. Une liste des fichiers logiciels de mise à jour s'affiche.
3. Sélectionnez le fichier à télécharger. Le message « Are you sure? » (êtes-vous sûr ?) s'affiche. Appuyez sur **<ENTER>**.
4. Si le fichier sélectionné est correct, la mise à niveau se termine. Redémarrez l'appareil.
 - Si le fichier sélectionné est incorrect, la mise à niveau échoue et l'affichage revient au menu principal. Répétez les étapes 1 à 3 en utilisant le bon fichier.



Les fichiers au format **.chl** doivent être placés dans le dossier « **OVATION** » de la clé USB.



L'option « **Other Fixture Type** » ne peut être sélectionnée que pour les produits connectés compatibles avec le **Upload 03** (les 2 premiers chiffres du code article doivent être 03).

Lens Tubes

Les tubes de lentilles suivantes sont disponibles à l'achat:

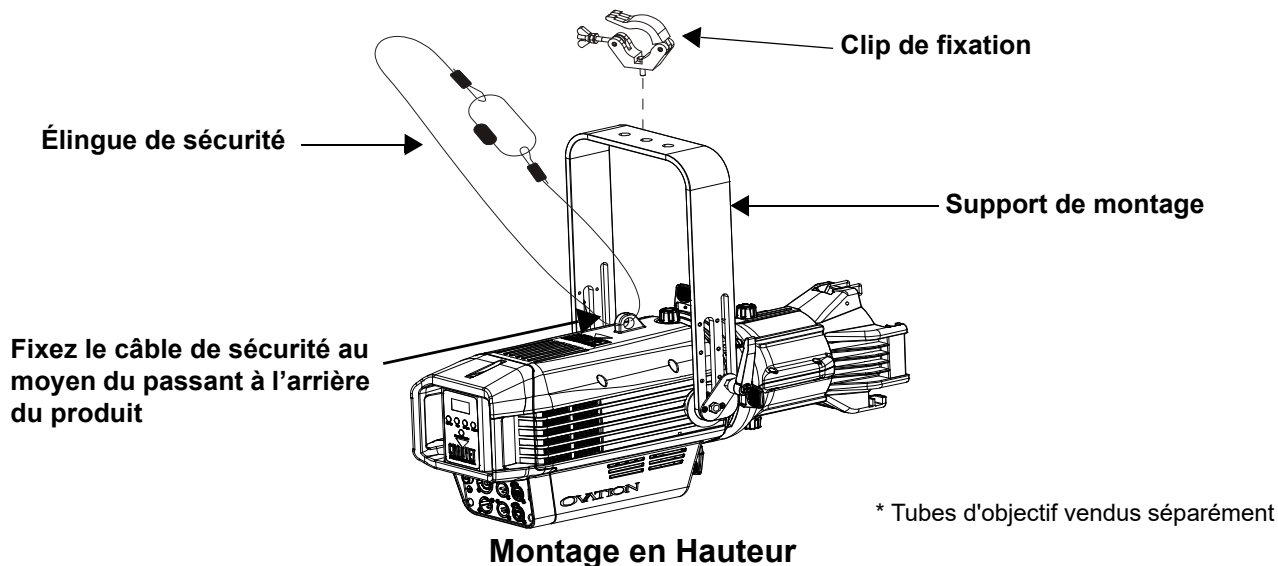
- 19°, 26°, 36° et 50° gélatine (accessoires 6,25 pouces/159 mm)
- 5° zoom gélatine (14 pouces/356 mm)

- 10° zoom gélatine (12 pouces/304 mm)
- 14°, 15–30° et 25°–50° zoom gélatine (accessoires 7,5 pouces/191 mm)

Installation

Avant de monter cet appareil, lisez et assimilez les [Consignes de Sécurité](#). Veillez à ce que les fixations sont capables de supporter le poids de l'unité. Découvrez notre gamme de fixations Chauvet sur <http://trusst.com/productcategory/truss-clamps/>.

Schéma de Montage de l'Appareil

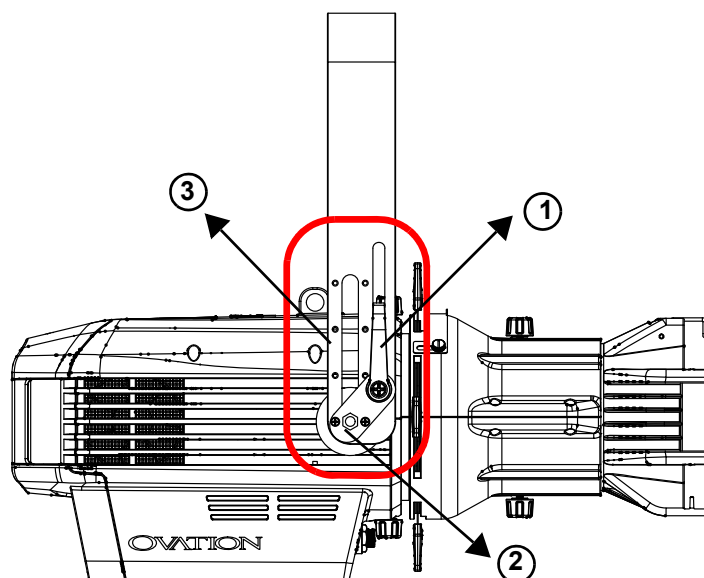


Montage en Hauteur

Étrier réglable

L'Ovation Rêve E-3 est livré avec un étrier réglable pour un montage dans les zones avec peu d'espace. Pour régler la hauteur de l'étrier, effectuez les actions suivantes :

1. Desserrez les molettes de réglage du support des deux côtés de l'appareil.
2. De chaque côté de l'appareil, retirez les deux vis et desserrez le boulon fixant la plaque au support de montage.
3. En utilisant les trous de vis comme guide, ajustez la position du support de montage pour obtenir la hauteur souhaitée de l'étrier.
4. Remettez les vis en place et serrez les boulons ainsi que les molettes de réglage du support.



Roue de Couleurs Virtuelles (VCW)

Le Ovation Rêve E-3 dispose d'une fonction appelée Roue de Couleur Virtuelle (VCW - Virtual Color Wheel). Cette fonction est disponible en mode de contrôle autonome pour une utilisation manuelle mais également en tant que canal de contrôle dans certaines personnalités DMX. Plus de 30 couleurs pré-mélangées, personnalisées par nos ingénieurs, sont disponibles pour faciliter la programmation.

Les valeurs DMX utilisées pour mélanger ces couleurs sont indiquées ci-dessous. Vous pouvez ajuster l'intensité globale du Ovation afin de reproduire plus fidèlement les couleurs que vous avez l'habitude d'utiliser. Un graphique est disponible sur notre site Web à l'adresse www.chauvetprofessional.com pour comparer nos couleurs pré-mélangées avec des couleurs de gel populaires. Ce tableau est fourni uniquement à des fins de comparaison et ne certifie pas que nos couleurs pré-mélangées correspondent aux couleurs de gel énumérées.

Gamme de couleurs

Valeurs des Canaux DMX	Affichage à l'Écran	Valeur Rouge	Valeur Vert	Valeur Bleu	Valeur Ambre	Valeur Menthe Vert
000 ⇔ 005	--	--	--	--	--	--
006 ⇔ 013	C3050 - Md Yellow	255	225	0	255	37
014 ⇔ 021	C3040 - Lt Yellow	255	177	3	255	37
022 ⇔ 028	C3240 - Amb Yellow	255	220	0	255	0
029 ⇔ 035	C2340 - VLt Amber	195	0	15	255	57
036 ⇔ 043	C2040 - Lt Amber	255	0	11	255	61
044 ⇔ 051	C2050 - Md Amber	255	53	0	255	17
052 ⇔ 059	C2060 - Dk Amber	255	8	0	255	17
060 ⇔ 067	C1050 - Lt Red	255	0	3	14	0
068 ⇔ 075	C1080 - Md Red	255	0	2	0	0
076 ⇔ 083	C1020 - NC Pink	255	75	62	255	73
084 ⇔ 091	C1030 - Md Pink	255	75	57	255	41
092 ⇔ 099	C1630 - Dk Pink	218	77	57	255	61
100 ⇔ 107	C1250 - Md Red Amber	255	0	9	168	0
108 ⇔ 115	C1060 - Dk Red Amber	255	5	9	36	0
116 ⇔ 121	C1650 - Magenta	255	3	62	255	12
122 ⇔ 130	C6170 - Dk Magenta	255	0	55	0	0
131 ⇔ 138	C6020 - Lt Lavender	255	220	93	255	44
139 ⇔ 146	C5030 - Lt Blue	0	255	159	112	78
147 ⇔ 154	C5020 - VLt Blue	0	215	145	196	65
155 ⇔ 162	C5430 - Lt Blue2	0	215	132	52	92
163 ⇔ 170	C5070 - Blue	0	195	188	0	19
171 ⇔ 178	C5050 - Md Blue	0	163	190	0	68
179 ⇔ 186	C5060 - Dk Blue	0	128	193	0	38
187 ⇔ 194	C5690 - Indigo	53	9	255	0	0
195 ⇔ 202	C5080 - VDk Blue	7	84	116	0	0
203 ⇔ 210	C5081 - VDk Blue2	11	82	139	0	0
211 ⇔ 218	C4370 - Yel Green	0	255	2	25	0
219 ⇔ 226	C4070 - Green	0	255	9	0	175
227 ⇔ 234	C4550 - Turquoise	0	255	87	96	255
235 ⇔ 242	C4560 - Aqua	0	255	98	44	255
243 ⇔ 250	C4570 - Blue Green	0	255	26	8	0
251 ⇔ 255	--	--	--	--	--	--



Remarque: Les couleurs ci-dessus sont des rendus simulés de couleurs produits sur base des couleurs émises par les appareils à incandescence. Chauvet ne peut garantir l'exactitude du rendu d'une couleur.

Gamme des températures de couleur

Température de couleur	Valeur Rouge	Valeur Vert	Valeur Bleu	Valeur Ambre	Valeur Menthe Vert
2800K	253	0	25	255	145
2900K	253	3	28	255	153
3000K	251	5	33	255	161
3100K	248	7	36	255	169
3200K	245	9	45	255	173
3300K	242	13	47	255	182
3400K	237	22	53	255	185
3500K	230	30	58	255	185
3600K	225	40	64	255	185
3700K	221	48	70	255	185
3800K	220	48	74	255	197
3900K	220	50	79	255	203
4000K	210	58	84	255	203
4100K	205	63	88	255	203
4200K	199	68	95	255	204
4300K	189	69	98	255	204
4400K	183	71	103	255	204
4500K	174	78	107	255	204
4600K	170	80	112	255	204
4700K	166	89	119	255	204
4800K	164	98	123	255	203
4900K	163	100	129	255	205
5000K	163	103	137	255	206
5100K	163	108	142	255	208
5200K	163	116	147	255	208
5300K	163	118	156	255	210
5400K	162	122	162	255	216
5500K	162	124	166	255	224
5600K	162	127	172	255	229
5700K	159	127	177	255	231
6000K	158	134	192	241	231
6500K	152	152	206	225	231
7000K	144	157	224	218	231
7500K	127	172	238	218	231
8000K	122	175	245	200	231



Remarque: Les températures de couleur ci-dessus sont des rendus simulés de la sortie de couleur effectivement générée par comparaison avec une lampe tungstène à la température de couleur spécifiée. Chauvet ne donne aucune garantie sur la précision de la sortie de couleur.

Diagramme DMX de température de couleur

Canal DMX	Température de couleur	Canal DMX	Température de couleur	Canal DMX	Température de couleur
000 ⇔ 005	Pas de fonction	084 ⇔ 090	3900–4000K	168 ⇔ 174	5100–5200K
006 ⇔ 013	2800–2900K	091 ⇔ 097	4000–4100K	175 ⇔ 181	5200–5300K
014 ⇔ 020	2900–3000K	098 ⇔ 104	4100–4200K	182 ⇔ 188	5300–5400K
021 ⇔ 027	3000–3100K	105 ⇔ 111	4200–4300K	189 ⇔ 195	5400–5500K
028 ⇔ 034	3100–3200K	112 ⇔ 118	4300–4400K	196 ⇔ 202	5500–5600K
035 ⇔ 041	3200–3300K	119 ⇔ 125	4400–4500K	203 ⇔ 209	5600–5700K
042 ⇔ 048	3300–3400K	126 ⇔ 132	4500–4600K	210 ⇔ 216	5700–6000K
049 ⇔ 055	3400–3500K	133 ⇔ 139	4600–4700K	217 ⇔ 223	6000–6500K
056 ⇔ 062	3500–3600K	140 ⇔ 146	4700–4800K	224 ⇔ 230	6500–7000K
063 ⇔ 069	3600–3700K	147 ⇔ 153	4800–4900K	231 ⇔ 237	7000–7500K
070 ⇔ 076	3700–3800K	154 ⇔ 160	4900–5000K	238 ⇔ 244	7500–8000K
077 ⇔ 083	3800–3900K	161 ⇔ 167	5000–5100K	245 ⇔ 255	8000K

Description du Tableau de Commandes

Bouton	Fonction
<MENU>	Permet la sortie du menu ou de la fonction en cours
<ENTER>	Permet l'affichage du menu en cours ou permet de configurer la valeur en cours dans la fonction sélectionnée
<UP>	Permet de parcourir les listes ou les menus vers le haut, dans une fonction permet d'augmenter les valeurs numériques
<DOWN>	Permet de parcourir les listes ou les menus vers le bas, dans une fonction permet de diminuer les valeurs numériques
<FOCUS>	Met l'appareil en mode de mise au point, ce qui permet à l'appareil de fonctionner à pleine puissance pour une mise au point facile sans changer aucun autre réglage de l'appareil. Appuyez à nouveau pour sortir du mode de mise au point.

Tableau de Menu

Reportez-vous à la page du produit Ovation Rêve E-3 sur www.chauvetprofessional.com pour la dernière carte des menu.

Principal	Niveaux de Programmation		Description
DMX Address	001–512*		Permet de sélectionner l'adresse de démarrage (*le canal le plus élevé est restreint à la personnalité choisie)
DMX Channel	1Ch	Virtual Color Wheel	1 canal: gradateur
		Color Temperature	
		Manual Color Mixer	
	5Ch	5 canaux: gradateur, VCW, température de la couleur, hue, rotateur de gobo	
	6Ch	6 canaux: rouge, vert, bleu, ambre, menthe verte, rotateur de gobo	
	8Ch	8 canaux: RVBA, menthe verte, gradateur, stroboscope, rotateur de gobo	
	12Ch	12 canaux: gradateur 16 bits, RVBA, menthe verte, stroboscope, VCW, température de la couleur, hue, rotateur de gobo	
	14Ch1	14 canaux: gradateur, RVBA, menthe verte, stroboscope, VCW, température de couleur, programmes automatique, vitesse automatique, contrôle, rotateur de gobo	
	14Ch2	14 canaux: gradateur 16 bits, RVBAL 16 bits, stroboscope, rotateur de gobo	
18Ch	18 canaux: gradateur 16 bits, RVBAL 16 bits, stroboscope, VCW, température de la couleur, contrôle, hue, rotateur de gobo		
	HSV		4 canaux: hue, saturation, value, rotateur de gobo
Virtual Color Wheel	Virtual Color Wheel C3050 - Md Yellow C3040 - Lt Yellow C3240 - Amb Yellow C2340 - VLt Amber C2040 - Lt Amber C2050 - Md Amber C2060 - Dk Amber C1050 - Lt Red C1080 - Md Red C1020 - NC Pink C1030 - Md Pink C1630 - Dk Pink C1250 - Md Red Amber C1060 - Dk Red Amber C1650 - Magenta C6170 - Dk Magenta C6020 - Lt Lavender C5030 - Lt Blue C5020 - VLt Blue	Dimmer 000–255	Roue de Couleurs Virtuelles (VCW) simule le rendu des gélamines de couleur. Consultez la section Gamme de couleurs pour en connaître les valeurs spécifiques.

Principal	Niveaux de Programmation		Description	
Virtual Color Wheel	C5430 - Lt Blue 2 C5070 - Blue C5050 - Md Blue C5060 - Dk Blue C5690 - Indigo C5080 - VDK Blue C5081 - VDK Blue 2 C4370 - Yel Green C4070 - Green C4550 - Turquoise C4560 - Aqua C4570 - Blue Green	Dimmer 000–255	Roue de Couleurs Virtuelles (VCW) simule le rendu des gélamines de couleur. Consultez la section Gamme de couleurs pour en connaître les valeurs spécifiques.	
	Color Temperature	2800K 2900K 3000K 3100K 3200K 3300K 3400K 3500K 3600K 3700K 3800K 3900K 4000K 4100K 4200K 4300K 4400K 4500K 4600K 4700K 4800K 4900K 5000K 5100K 5200K 5300K 5400K 5500K 5600K 5700K 6000K 6500K 7000K 7500K 8000K	Dimmer 0–255	Températures de couleur de blanc prédéfinies. Simule une lampe tungstène à la température de couleur spécifiée. Référez vous à la section Gamme des températures de couleur pour les valeurs spécifiques
			Hue -25–25	
Manual Color Mixer	Red Green Blue Amber Mint	000–255	Combine les couleurs rouge, vert, bleu, ambre et menthe verte pour un résultat personnalisé (0–100%)	
Auto Show	Auto 1–5	1–100	Sélectionne les programmes automatiques et vitesse	
Red Shift	On Off		Limite la gradation des lampes halogènes	
Gobo Rotator	000–255		Contrôle le rotateur de gobo	

Principal	Niveaux de Programmation		Description
Master/ Slave	Master		Recevez le signal DMX du contrôleur DMX (maître)
	Slave		Recevoir le signal de l'unité maître (esclave)
Dimmer Curve	SCurve Linear Square Inverse Square		Définir la courbe de gradation
Dimmer Mode	Off		Gradateur linéaire
	Dimmer 1-3		Courbes de gradation rapide (Dimmer 1) à lent (Dimmer 3)
Color Calibration	User Calibration	Off	Désactive l'étalonnage des couleurs
		Red	Définit la valeur maximale de LED rouge
		Green	Définit la valeur maximale de LED vert
		Blue	Définit la valeur maximale de LED bleu
		Amber	Définit la valeur maximale de LED ambre
	Mint	Définit la valeur maximale de LED menthe verte	
Factory Calibration		125-255	Utilise le paramétrage de blanc défini en usine
LED Frequency	600Hz		Permet de sélectionner la fréquence de sortie MLI
	1200Hz		
	2000Hz		
	4000Hz		
	6000Hz		
	25KHz		
Fan Mode	Auto		Réglez le ventilateur en mode automatique
	On		Réglez le mode de ventilateur toujours
	Off		Règle le ventilateur sur toujours
	Silent		Règle le ventilateur sur silencieux
Back Light	10S		Désactive rétro-éclairage après 10 secondes
	30S		Désactive rétro-éclairage après 30 secondes
	2Min		Désactive rétro-éclairage après 2 minutes
	Always On		Affichage rétro-éclairage toujours active
Gobo Power	On		Permet d'activer ou désactiver la sortie d'alimentation du gobo
	Off		
Information	Fixture Hours	----_H	Affiche le nombre total des heures du produit
	LED Hours	----_H	Affiche le nombre total des heures du LED
	Version	V_._	Affiche la version du logiciel installée
	UID	-----	Affiche UID actuel
Update Firmware	Only This Unit	-----_CHL ...	Sélectionne un fichier de mise à jour pour ce produit, ou affiche «No such file!»
	Multiple Units	-----_CHL ...	Sélectionne un fichier de mise à jour pour ce produit et des produits Ovation Rêve E-3 connectés, ou affiche «No such file!»
		-----_CHL ...	
	Other Fixture Type	-----_CHL ...	Sélectionne un fichier de mise à jour pour les autres produits connectés, ou affiche «No such file!»
Reset Factory	No		Permet de réinitialiser aux valeurs par défaut d'usine
	Yes		



ATTENTION: Lors du fonctionnement en mode ventilateur: Lorsque le ventilateur est à l'arrêt, l'appareil devient plus chaud au toucher que lors de l'utilisation des autres modes de ventilateur. Utilisez un équipement de protection approprié pour prévenir des brûlures. Tenir à l'écart de tout objet inflammable.



REMARQUE: Lors du fonctionnement en mode ventilateur: Lorsque le ventilateur est à l'arrêt, le rendement de l'appareil est réduit et ne peut pas atteindre les mêmes niveaux que lors de l'utilisation des autres modes de ventilateur.

DMX Values
HSV

Canal	Fonction	Valeur	Pourcentage/Configuration
1	Teint	000 ⇔ 255	0–100%
2	Saturation	000 ⇔ 255	0–100%
3	Valeur	000 ⇔ 255	0–100%
4	Rotateur de gobo	000 ⇔ 127	Indice
		128 ⇔ 190	Rotation horaire, rapide à lente
		191 ⇔ 192	Arrêtez
		193 ⇔ 255	Rotation antihoraire, lente à rapide

18Ch

Canal	Fonction	Valeur	Pourcentage/Configuration
1	Gradateur	000 ⇔ 255	0–100%
2	Gradateur fin	000 ⇔ 255	0–100%
3	Rouge	000 ⇔ 255	0–100%
4	Rouge fin	000 ⇔ 255	0–100%
5	Vert	000 ⇔ 255	0–100%
6	Vert fin	000 ⇔ 255	0–100%
7	Bleu	000 ⇔ 255	0–100%
8	Bleu fin	000 ⇔ 255	0–100%
9	Ambre	000 ⇔ 255	0–100%
10	Ambre fin	000 ⇔ 255	0–100%
11	Menthe verte	000 ⇔ 255	0–100%
12	Menthe verte fin	000 ⇔ 255	0–100%
13	Stroboscope	000 ⇔ 010	Pas de fonction
		011 ⇔ 255	Stroboscope, lent à rapide
14	Roue de couleurs virtuelle	000 ⇔ 255	Consultez la section Gamme de couleurs
15	Température de couleur	000 ⇔ 255	Consultez la section Diagramme DMX de température de couleur
16	Hue	000 ⇔ 000	0
		001 ⇔ 255	-25–25
17	Contrôle (maintenez pendant 3 secondes)	000 ⇔ 007	Pas de fonction
		008 ⇔ 015	Réinitialisation du gradateur
		016 ⇔ 023	Décalage rouge activé
		024 ⇔ 031	Décalage rouge désactivé
		032 ⇔ 039	Courbe de gradateur S-courbe
		040 ⇔ 047	Courbe de gradateur linéaire
		048 ⇔ 055	Courbe de gradation carrée
		056 ⇔ 063	Courbe de gradation carrée inverse
		064 ⇔ 071	Arrêt du mode de vitesse d'assombrissement
		072 ⇔ 079	Mode 1 de vitesse d'assombrissement (rapide)
		080 ⇔ 087	Mode 2 de vitesse d'assombrissement
		088 ⇔ 095	Mode 3 de vitesse d'assombrissement (lente)
		096 ⇔ 103	Ventilateur automatique
		104 ⇔ 111	Ventilateur allumé
112 ⇔ 119	Ventilateur éteint		
120 ⇔ 127	Ventilateur silencieux		
128 ⇔ 255	Réservé pour une utilisation future		
18	Rotateur de gobo	000 ⇔ 127	Indice
		128 ⇔ 190	Rotation horaire, rapide à lente
		191 ⇔ 192	Arrêtez
		193 ⇔ 255	Rotation antihoraire, lente à rapide

14Ch1

Canal	Fonction	Valeur	Pourcentage/Configuration
1	Gradateur	000 ⇔ 255	0–100%
2	Rouge	000 ⇔ 255	0–100%
3	Vert	000 ⇔ 255	0–100%
4	Bleu	000 ⇔ 255	0–100%
5	Ambre	000 ⇔ 255	0–100%
6	Menthe verte	000 ⇔ 255	0–100%
7	Stroboscope	000 ⇔ 010 011 ⇔ 255	Pas de fonction Stroboscope, lent à rapide
8	Roue de couleurs virtuelle	000 ⇔ 255	Consultez la section Gamme de couleurs
9	Température de couleur	000 ⇔ 255	Consultez la section Diagramme DMX de température de couleur
10	Hue	000 ⇔ 000 001 ⇔ 255	0 -25–25
11	Programmes automatiques	000 ⇔ 010 011 ⇔ 060 061 ⇔ 110 111 ⇔ 160 161 ⇔ 210 211 ⇔ 255	Pas de fonction Auto programmes 1 Auto programmes 2 Auto programmes 3 Auto programmes 4 Auto programmes 5
12	Vitesse du programme	000 ⇔ 255	Vitesse du programme, lent à rapide
13	Contrôle (maintenez pendant 3 secondes)	000 ⇔ 007 008 ⇔ 015 016 ⇔ 023 024 ⇔ 031 032 ⇔ 039 040 ⇔ 047 048 ⇔ 055 056 ⇔ 063 064 ⇔ 071 072 ⇔ 079 080 ⇔ 087 088 ⇔ 095 096 ⇔ 103 104 ⇔ 111 112 ⇔ 119 120 ⇔ 127 128 ⇔ 255	Pas de fonction Réinitialisation du gradateur Décalage rouge activé Décalage rouge désactivé Courbe de gradateur S-courbe Courbe de gradateur linéaire Courbe de gradation carrée Courbe de gradation carrée inverse Arrêt du mode de vitesse d'assombrissement Mode 1 de vitesse d'assombrissement (rapide) Mode 2 de vitesse d'assombrissement Mode 3 de vitesse d'assombrissement (lente) Ventilateur automatique Ventilateur allumé Ventilateur éteint Ventilateur silencieux Réservé pour une utilisation future
14	Rotateur de gobo	000 ⇔ 127 128 ⇔ 190 191 ⇔ 192 193 ⇔ 255	Indice Rotation horaire, rapide à lente Arrêtez Rotation antihoraire, lente à rapide

14Ch2

Canal	Fonction	Valeur	Pourcentage/Configuration
1	Gradateur	000 ⇔ 255	0–100%
2	Gradateur fin	000 ⇔ 255	0–100%
3	Rouge	000 ⇔ 255	0–100%
4	Rouge fin	000 ⇔ 255	0–100%
5	Vert	000 ⇔ 255	0–100%
6	Vert fin	000 ⇔ 255	0–100%
7	Bleu	000 ⇔ 255	0–100%
8	Bleu fin	000 ⇔ 255	0–100%
9	Ambre	000 ⇔ 255	0–100%
10	Ambre fin	000 ⇔ 255	0–100%
11	Menthe verte	000 ⇔ 255	0–100%
12	Menthe verte fin	000 ⇔ 255	0–100%
13	Stroboscope	000 ⇔ 010 011 ⇔ 255	Pas de fonction Stroboscope, lent à rapide
14	Rotateur de gobo	000 ⇔ 127 128 ⇔ 190 191 ⇔ 192 193 ⇔ 255	Indice Rotation horaire, rapide à lente Arrêtez Rotation antihoraire, lente à rapide

12Ch

Canal	Fonction	Valeur	Pourcentage/Configuration
1	Gradateur	000 ⇔ 255	0–100%
2	Gradateur fin	000 ⇔ 255	0–100%
3	Rouge	000 ⇔ 255	0–100%
4	Vert	000 ⇔ 255	0–100%
5	Bleu	000 ⇔ 255	0–100%
6	Ambre	000 ⇔ 255	0–100%
7	Menthe verte	000 ⇔ 255	0–100%
8	Stroboscope	000 ⇔ 010 011 ⇔ 255	Pas de fonction Stroboscope, lent à rapide
9	Roue de couleurs virtuelle	000 ⇔ 255	Consultez la section Gamme de couleurs
10	Température de couleur	000 ⇔ 255	Consultez la section Diagramme DMX de température de couleur
11	Hue	000 ⇔ 000 001 ⇔ 255	0 -25–25
12	Rotateur de gobo	000 ⇔ 127 128 ⇔ 190 191 ⇔ 192 193 ⇔ 255	Indice Rotation horaire, rapide à lente Arrêtez Rotation antihoraire, lente à rapide

8Ch

Canal	Fonction	Valeur	Pourcentage/Configuration
1	Gradateur	000 ⇔ 255	0–100%
2	Rouge	000 ⇔ 255	0–100%
3	Vert	000 ⇔ 255	0–100%
4	Bleu	000 ⇔ 255	0–100%
5	Ambre	000 ⇔ 255	0–100%
6	Lime	000 ⇔ 255	0–100%
7	Stroboscope	000 ⇔ 010 011 ⇔ 255	Pas de fonction Stroboscope, lent à rapide
8	Rotateur de gobo	000 ⇔ 127 128 ⇔ 190 191 ⇔ 192 193 ⇔ 255	Indice Rotation horaire, rapide à lente Arrêtez Rotation antihoraire, lente à rapide

FR

6Ch

Canal	Fonction	Valeur	Pourcentage/Configuration
1	Rouge	000 ⇔ 255	0–100%
2	Vert	000 ⇔ 255	0–100%
3	Bleu	000 ⇔ 255	0–100%
4	Ambre	000 ⇔ 255	0–100%
5	Menthe verte	000 ⇔ 255	0–100%
6	Rotateur de gobo	000 ⇔ 127	Indice
		128 ⇔ 190	Rotation horaire, rapide à lente
		191 ⇔ 192	Arrêtez
		193 ⇔ 255	Rotation antihoraire, lente à rapide

5Ch

Canal	Fonction	Valeur	Pourcentage/Configuration
1	Gradateur	000 ⇔ 255	0–100%
2	Roue de couleurs virtuelle	000 ⇔ 255	Consultez la section Gamme de couleurs
3	Température de couleur	000 ⇔ 255	Consultez la section Diagramme DMX de température de couleur
4	Hue	000 ⇔ 000	0
		001 ⇔ 255	-25–25
5	Rotateur de gobo	000 ⇔ 127	Indice
		128 ⇔ 190	Rotation horaire, rapide à lente
		191 ⇔ 192	Arrêtez
		193 ⇔ 255	Rotation antihoraire, lente à rapide

1Ch

Canal	Fonction	Valeur	Pourcentage/Configuration
1	Gradateur	000 ⇔ 255	0–100%

Über diese Schnellanleitung

In der Schnellanleitung des Ovation Révé E-3 finden Sie die wesentlichen Produktinformationen, wie etwa über den Anschluss, die Montage, Menüoptionen und DMX-Werte des Geräts. Laden Sie für weiterführende Informationen unter www.chauvetprofessional.com das Benutzerhandbuch herunter.

Haftungsausschluss

Die in dieser Anleitung aufgeführten Informationen und Spezifikationen können ohne vorherige Ankündigung geändert werden.

EINGESCHRÄNKTE GARANTIE

ZUR REGISTRIERUNG FÜR GARANTIEANSPRÜCHE UND ZUR EINSICHT IN DIE VOLLSTÄNDIGEN GESCHÄFTSBEDINGUNGEN BESUCHEN SIE BITTE UNSERE WEBSITE.

Für Kunden in den USA und in Mexiko: www.chauvetlighting.com/warranty-registration.

Für Kunden im Vereinigten Königreich, in Irland, Belgien, den Niederlanden, Luxemburg, Frankreich und Deutschland: www.chauvetlighting.eu/warranty-registration/.

Chauvet garantiert für die in der auf unserer Website veröffentlichten vollständigen eingeschränkten Garantie genannten Dauer und unter Vorbehalt der darin genannten Haftungsausschlüsse und -beschränkungen, dass dieses Produkt bei normalen Gebrauch frei von Material- und Verarbeitungsfehlern ist. Diese Garantie erstreckt sich nur auf den Erstkäufer des Produkts und ist nicht übertragbar. Zur Ausübung der unter dieser Garantie gewährten Rechte ist der Kaufbeleg in Form der Originalrechnung von einem autorisierten Händler vorzulegen, in der die Produktbezeichnung und das Kaufdatum vermerkt sein müssen. **ES BESTEHEN KEINE WEITEREN AUSDRÜCKLICHEN ODER STILLSCHWEIGENDEN GARANTIEN.** Diese Garantie gibt Ihnen besondere gesetzliche Rechte. Und Sie haben möglicherweise weitere Rechte, die von Land zu Land unterschiedlich sein können. Diese Garantie ist nur in den USA, im Vereinigten Königreich, in Irland, Belgien, den Niederlanden, Luxemburg, Frankreich, Deutschland und Mexiko gültig. Bezüglich der Garantiebestimmungen in anderen Ländern wenden Sie sich bitte an Ihren lokalen Händler.

Sicherheitshinweise

- Die Leuchte sollte so positioniert werden, dass ein langes starres Schauen in die Leuchte in einem Abstand von weniger als 3,0 m nicht zu erwarten ist.
- Ist das externe flexible Kabel dieser Leuchte beschädigt, muss es durch ein gleichwertiges Kabel oder ein ausschließlich vom Hersteller oder dessen Vertriebspartner erhältliches Kabel ersetzt werden.
- Das in dieser Leuchte enthaltene Leuchtmittel darf nur vom Hersteller oder dessen Vertriebspartner oder einer ähnlich qualifizierten Person ausgetauscht werden.
- Die Leuchte ist ausschließlich für den professionellen Einsatz bestimmt.
- Dieses Gerät NICHT öffnen. Die eingebauten Komponenten sind für den Kunden wartungsfrei.
- NIEMALS in die Lichtquelle schauen, während das Gerät eingeschaltet ist.
- Dieses Gerät darf NICHT in Wasser eingetaucht werden (IP20). Eine regelmäßige Verwendung dieses Geräts im Freien ist möglich.
- Belassen Sie KEINE entflammaren Materialien in einem Umkreis von 50 cm dieses Geräts, während es in Betrieb oder an der Stromversorgung angeschlossen ist.
- NIEMALS das Gerät in Betrieb nehmen, wenn Ihnen das Gehäuse, die Linsen oder das Kabel beschädigt erscheinen.
- Schließen Sie dieses Gerät NICHT an einen Dimmer oder Regelwiderstand an.
- VORSICHT: Das Gehäuse dieses Produkts kann während des Betriebs heiß werden.
- VORSICHT: Beim Transport des Geräts von einer Umgebung mit außergewöhnlichen Temperaturen in eine andere solche Umgebung (z. B. aus einem kalten Transporter in einen warm-feuchten Ballsaal) kann an der im Gerät enthaltenen Elektronik Wasser kondensieren. Um einen Defekt zu vermeiden, muss sich das Gerät erst in der neuen Umgebung akklimatisiert haben, bevor es an die Stromversorgung angeschlossen werden kann.
- VERWENDEN Sie bei Montage über Kopf immer ein Sicherheitsseil.
- Schließen Sie dieses Produkt NUR an einen mit der Erde verbundenen und geschützten Stromkreis an.
- Das Gerät NUR an den Hänge-/Befestigungsbügeln oder Griffen tragen.
- Installieren Sie das Gerät an einem Ort mit ausreichender Belüftung und mit einem Abstand von mindestens 50 cm zu den angrenzenden Flächen.
- Um unnötigen Verschleiß zu vermeiden und die Lebensdauer des Geräts zu verlängern, trennen Sie während längerer Perioden des Nichtgebrauchs das Gerät vom Stromnetz – entweder per Trennschalter oder durch Herausziehen des Steckers aus der Steckdose.
- Bei ernsthaften Betriebsproblemen stoppen Sie umgehend die Verwendung des Geräts.
- Die maximal zulässige Umgebungstemperatur beträgt 45 °C. Nehmen Sie das Gerät nicht bei höheren Temperaturen in Betrieb.

FCC-Konformität

Dieses Gerät erfüllt Teil 15, Teil B, der FCC-Bestimmungen. Der Betrieb ist an folgende zwei Bedingungen geknüpft:

1. Dieses Gerät darf keine schädlichen Interferenzen verursachen, und
2. Dieses Gerät muss empfangende Interferenzen aufnehmen können, auch Interferenzen, die eventuell einen unerwünschten Betrieb verursachen.

Jegliche Änderungen oder Modifikationen, die nicht ausdrücklich von der Partei genehmigt wurden, die für die Compliance zuständig ist, könnten die Berechtigung des Benutzers zum Betrieb dieses Geräts aufheben.

Kontakt

Kunden außerhalb der USA, GB, Irland, Mexiko, Frankreichs, Deutschlands oder der Benelux-Staaten wenden sich an ihren Lieferanten, um den Kundensupport in Anspruch zu nehmen oder ein Produkt zurückzuschicken.

Kontaktinformationen finden Sie unter [Contact Us](#) am Ende dieser Schnellanleitung.

Packungsinhalt

- Ovation Rêve E-3
- Weichzeichnungsfilter
- Schnellanleitung
- Netzkabel Seetronic Powerkon
- Ovation Metall Gobo Halter



Ist auf dem Weichzeichner-Filter eine Schutzfolie, dann muss diese vor dem Gebrauch entfernt werden. Der Filter befindet sich in einer Halterung im Metall-Gobo-Schlitz.

Wechselstrom

Dieses Gerät verfügt über ein Vorschaltgerät, das automatisch die anliegende Spannung erkennt, sobald der Netzstecker in die Schukosteckdose gesteckt wird, und kann mit einer Eingangsspannung von 100~240 V AC, 50/60 Hz arbeiten.

Serienschaltung der Geräte

Sie können bis zu 3 Ovation Rêve E-3 Geräte bei 100 V AC, 4 bei 120 V AC, 7 Geräte bei 208 V AC, 8 Geräte bei 230 V AC, und 8 Geräte bei 240 V AC in Serie schalten. Diese Anzahl niemals überschreiten! Stromkabel für die Serienschaltung können separat erworben werden.

Wechselstromstecker

Anschluss	Draht (USA)	Draht (Europa)	Schraubenfarbe
Stromführender AC-Leiter	Schwarz	Braun	Gelb/Messingfarben
AC-Neutralleiter	Weiß	Blau	Silber
AC-Erdungsleiter	Grün/Gelb	Grün/Gelb	Grün



Um Verschleiß zu vermeiden und die Lebensdauer des Geräts zu verlängern, trennen Sie während längerer Perioden des Nichtgebrauchs das Gerät vom Stromnetz – entweder per Trennschalter oder durch Herausziehen des Steckers aus der Steckdose.

Auswechseln der Sicherung

1. Trennen Sie das Gerät vom Stromnetz.
2. Mit einem Flachkopfschraubendreher lösen Sie die Abdeckung des Sicherungshalters vom Gehäuse.
3. Entfernen Sie die durchgebrannte Sicherung, und ersetzen Sie diese durch eine Sicherung des gleichen Typs und mit den gleichen Werten.
4. Schrauben Sie die Abdeckung der Sicherung wieder ein, und schließen Sie das Gerät wieder an das Stromnetz an.

DMX-Verbindung

Die Ovation Rêve E-3 kann mit einem DMX-Controller betrieben werden, wenn eine 3- und 5-polige DMX-Datenverbindung zum Einsatz kommt. Sie können sich eine Einführung in DMX unter www.chauvetprofessional.com herunterladen.

DMX-Anschluss

Der Ovation Rêve E-3 nutzt zur Steuerung seiner DMX-Eigenschaften eine 3- und 5-polige DMX-Datenverbindung: **1Ch, 5Ch, 6Ch, 8Ch, 12Ch, 14Ch1, 14Ch2, 18Ch** und **HSV**. Informationen zum Anschließen und Konfigurieren des Geräts für einen DMX-Betrieb finden Sie in der Bedienungsanleitung.

Master/Slave-Schaltung

Der Ovation Rêve E-3 verwendet für seinen Master/Slave-Modus eine DMX-Datenverbindung. Informationen zum Anschließen und Konfigurieren des Geräts für einen Master/Slave-Betrieb finden Sie in der Bedienungsanleitung.

RDM (Remote Device Management)

Remote Device Management bzw. RDM ist ein Standard, mit dem DMX-aktivierte Geräte bidirektional entlang bestehender DMX-Kabel kommunizieren können. Der Ovation Rêve E-3 unterstützt das RDM-Protokoll, über das Feedback zur Überwachung der Änderungen der Menüoptionen gegeben wird. Laden Sie für weiterführende Informationen unter www.chauvetprofessional.com das Benutzerhandbuch herunter.

Software via USB

Das Gerät Ovation Rêve E-3 ermöglicht ein Softwareupdate über USB unter Verwendung des integrierten USB-Anschlusses. Zur Aktualisierung der Software mit einem USB-Stick gehen Sie wie folgt vor:

1. Schalten Sie das Gerät an und stecken Sie den Stick in den USB-Anschluss.
2. Sobald der Stick erkannt worden ist, erscheint die Meldung "Upgrade Firmware" (Firmware aktualisieren). Betätigen Sie **<ENTER>**.
 - Wird eine andere Meldung angezeigt, suchen Sie im Menü ("**Update Firmware**") nach der aktualisierten Software und aus **Only This Unit, Multiple Units** oder **Other Fixture Type** auswählen. Es wird eine Liste der aktualisierten Software angezeigt.
3. Wählen Sie die hochzuladende Datei aus. Es wird die Meldung "Are you sure" (Sind Sie sicher?) angezeigt. Betätigen Sie **<ENTER>**.
4. Ist die ausgewählte Datei korrekt, wird das Upgrade abgeschlossen. Starten Sie das Gerät neu.
 - Ist die ausgewählte Datei falsch, wird das Upgrade nicht ausgeführt und es wird wieder das Hauptmenü angezeigt. Wiederholen Sie die Schritte 1 bis 3 mit der korrekten Datei.



Das Dateiformat **.chl** muss im Ordner „**OVATION**“ auf dem USB-Stick abgelegt werden.



Die Option "Other Fixture Type" kann nur für verbundene Produkte ausgewählt werden, die mit dem Upload 03 kompatibel sind (die ersten 2 Ziffern des Artikelcodes müssen 03 sein).

Linsenröhren

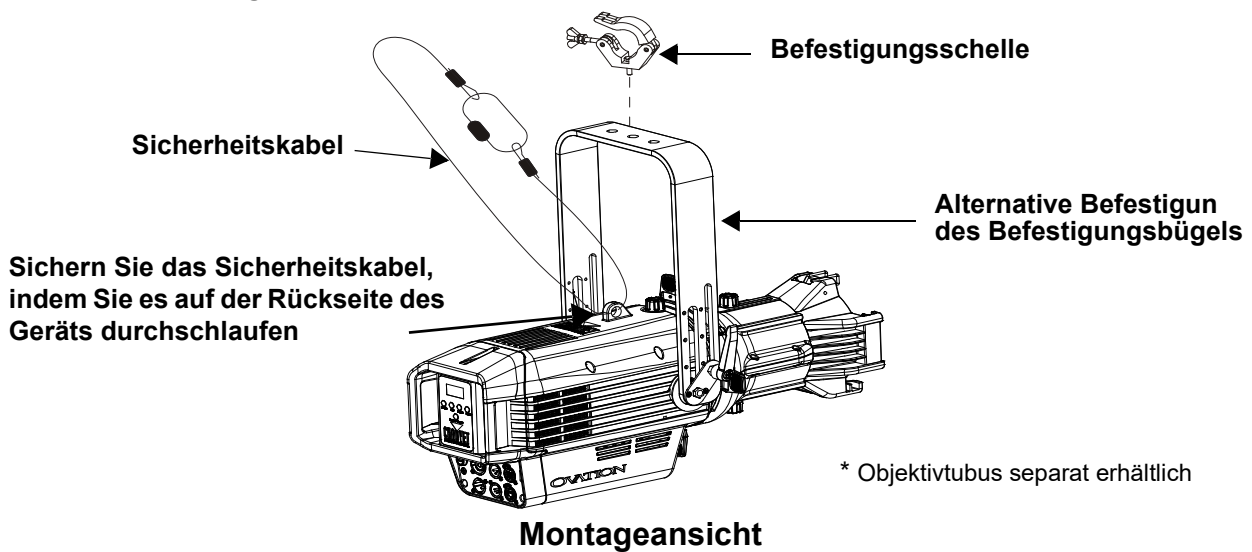
Folgende Linsenröhren sind erhältlich:

- 19°, 26°, 36° und 50° mit Gel-Rahmen (Zubehör für 6.25"/159 mm)
- 5° Zoom-Gel-Rahmen (14"/356 mm)
- 10° Zoom-Gel-Rahmen (12"/304 mm)
- 14°, 15–30° und 25°–50° Zoom-Gel-Rahmen (Zubehör für 7.5"/191 mm)

Montage

Lesen Sie vor der Montage dieses Geräts die [Sicherheitshinweise](#). Mindestens einen Befestigungspunkt pro Gerät verwenden. Stellen Sie sicher, dass die Befestigungsklemmen dafür ausgelegt sind, das Produktgewicht tragen zu können. Informationen zu unserer CHAUVET-Produktlinie für Befestigungsklemmen finden Sie unter <http://trusst.com/productcategory/truss-clamps/>.

Ansicht Gerätemontage

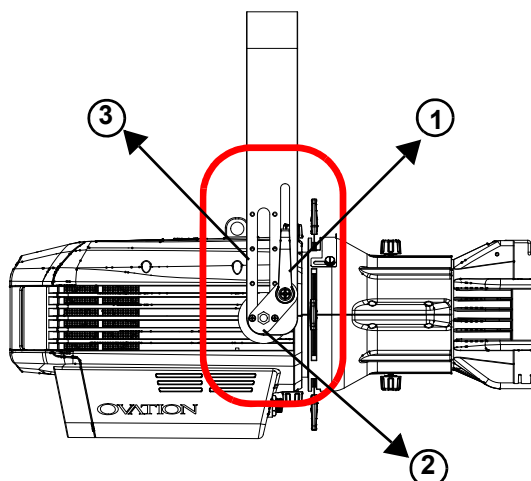


Verstellbarer Befestigungsbügel

Der Ovation Rêve E-3 ist mit einem verstellbaren Befestigungsbügel zur Montage in Bereichen mit niedriger Deckenhöhe ausgestattet. Zum Ändern der Höhe des Befestigungsbügels gehen Sie wie folgt vor:

1. Lösen Sie die Bügeleinstellknöpfe an beiden Seiten des Geräts.
2. Entfernen Sie an jeder Seite die zwei Schrauben und lösen Sie den Bolzen, mit dem die Platte am Befestigungsbügel befestigt ist.
3. Stellen Sie unter Verwendung der Schraubenlöcher als Anhaltspunkt die Position des Befestigungsbügels ein, um die gewünschte Höhe des Befestigungsbügels zu erhalten.

4. Schrauben Sie die Schrauben wieder ein und ziehen Sie die Bolzen und die BÜgeleinstellknöpfe an.



Virtuelles Farbrad (VCW)

Der Ovation Rêve E-3 verfügt über eine Funktion mit der Bezeichnung Virtuelles Farbrad (Virtual Color Wheel, VCW). Diese Funktion steht als Stand-alone-Steuerungsmodus für die manuelle Bedienung sowie als Steuerungskanal bei ausgewählten DMX-Eigenschaften zur Verfügung. Es sind mehr als 30 von unseren Technikern vorgemischte Farben verfügbar, um die Programmierung einfacher zu gestalten. Die zum Mischen dieser Farben verwendeten DMX-Werte sind nachstehend angegeben. Sie können die Gesamtintensität des Ovation anpassen, um die Farben, mit denen Sie vertraut sind, besser nachzubilden. Auf unserer Website www.chauvetprofessional.com finden Sie eine Tabelle, mit deren Hilfe Sie unsere vorgemischten Farben mit beliebigen Gel-Farben vergleichen können. Diese Tabelle dient einzig Vergleichszwecken und ist keine Gewähr dafür, dass unsere vorgemischten Farben mit einer der aufgeführten Gel-Farben übereinstimmen.

Tabelle: Virtuelles Farbrad

DMX-Wert	Anzeige auf Display	Roter	Grüner	Blauer	Bernsteinfarbener	Minzgrüner
000 ⇄ 005	--	--	--	--	--	--
006 ⇄ 013	C3050 - Md Yellow	255	225	0	255	37
014 ⇄ 021	C3040 - Lt Yellow	255	177	3	255	37
022 ⇄ 028	C3240 - Amb Yellow	255	220	0	255	0
029 ⇄ 035	C2340 - VLt Amber	195	0	15	255	57
036 ⇄ 043	C2040 - Lt Amber	255	0	11	255	61
044 ⇄ 051	C2050 - Md Amber	255	53	0	255	17
052 ⇄ 059	C2060 - Dk Amber	255	8	0	255	17
060 ⇄ 067	C1050 - Lt Red	255	0	3	14	0
068 ⇄ 075	C1080 - Md Red	255	0	2	0	0
076 ⇄ 083	C1020 - NC Pink	255	75	62	255	73
084 ⇄ 091	C1030 - Md Pink	255	75	57	255	41
092 ⇄ 099	C1630 - Dk Pink	218	77	57	255	61
100 ⇄ 107	C1250 - Md Red Amber	255	0	9	168	0
108 ⇄ 115	C1060 - Dk Red Amber	255	5	9	36	0
116 ⇄ 121	C1650 - Magenta	255	3	62	255	12
122 ⇄ 130	C6170 - Dk Magenta	255	0	55	0	0
131 ⇄ 138	C6020 - Lt Lavender	255	220	93	255	44
139 ⇄ 146	C5030 - Lt Blue	0	255	159	112	78
147 ⇄ 154	C5020 - VLt Blue	0	215	145	196	65
155 ⇄ 162	C5430 - Lt Blue2	0	215	132	52	92
163 ⇄ 170	C5070 - Blue	0	195	188	0	19
171 ⇄ 178	C5050 - Md Blue	0	163	190	0	68
179 ⇄ 186	C5060 - Dk Blue	0	128	193	0	38
187 ⇄ 194	C5690 - Indigo	53	9	255	0	0
195 ⇄ 202	C5080 - VDK Blue	7	84	116	0	0
203 ⇄ 210	C5081 - VDK Blue2	11	82	139	0	0
211 ⇄ 218	C4370 - Yel Green	0	255	2	25	0

DMX-Wert	Anzeige auf Display	Roter	Grüner	Blauer	Bernstein-farbener	Minzgrüner
219 ⇔ 226	C4070 - Green	0	255	9	0	175
227 ⇔ 234	C4550 - Turquoise	0	255	87	96	255
235 ⇔ 242	C4560 - Aqua	0	255	98	44	255
243 ⇔ 250	C4570 - Blue Green	0	255	26	8	0
251 ⇔ 255	--	--	--	--	--	--



Hinweis: Die oben genannten Farben sind simulierte Ähnlichkeiten der Farbausgabe im Vergleich zu anderen, ähnlich weißglühenden Produkten. Chauvet gibt keine Gewährleistung bezüglich der Genauigkeit der Farbausgabe.

Farbtemperatur-Tabelle

Farbtemperatur	Roter	Grüner	Blauer	Bernstein-farbener	Minzgrüner
2800K	253	0	25	255	145
2900K	253	3	28	255	153
3000K	251	5	33	255	161
3100K	248	7	36	255	169
3200K	245	9	45	255	173
3300K	242	13	47	255	182
3400K	237	22	53	255	185
3500K	230	30	58	255	185
3600K	225	40	64	255	185
3700K	221	48	70	255	185
3800K	220	48	74	255	197
3900K	220	50	79	255	203
4000K	210	58	84	255	203
4100K	205	63	88	255	203
4200K	199	68	95	255	204
4300K	189	69	98	255	204
4400K	183	71	103	255	204
4500K	174	78	107	255	204
4600K	170	80	112	255	204
4700K	166	89	119	255	204
4800K	164	98	123	255	203
4900K	163	100	129	255	205
5000K	163	103	137	255	206
5100K	163	108	142	255	208
5200K	163	116	147	255	208
5300K	163	118	156	255	210
5400K	162	122	162	255	216
5500K	162	124	166	255	224
5600K	162	127	172	255	229
5700K	159	127	177	255	231
6000K	158	134	192	241	231
6500K	152	152	206	225	231
7000K	144	157	224	218	231
7500K	127	172	238	218	231
8000K	122	175	245	200	231



Hinweis: Die oben genannten Farbtemperaturen sind simulierte Ähnlichkeiten der Farbausgabe im Vergleich zu einer Wolframlampe mit spezifizierter Farbtemperatur. Chauvet gibt keine Gewährleistung bezüglich der Genauigkeit der Farbausgabe.

Farbtemperatur DMX-Kanalwert

DMX-Kanalwert	Farbtemperatur	DMX-Kanalwert	Farbtemperatur	DMX-Kanalwert	Farbtemperatur
000 ⇔ 005	Keine Funktion	084 ⇔ 090	3900–4000K	168 ⇔ 174	5100–5200K
006 ⇔ 013	2800–2900K	091 ⇔ 097	4000–4100K	175 ⇔ 181	5200–5300K
014 ⇔ 020	2900–3000K	098 ⇔ 104	4100–4200K	182 ⇔ 188	5300–5400K
021 ⇔ 027	3000–3100K	105 ⇔ 111	4200–4300K	189 ⇔ 195	5400–5500K
028 ⇔ 034	3100–3200K	112 ⇔ 118	4300–4400K	196 ⇔ 202	5500–5600K
035 ⇔ 041	3200–3300K	119 ⇔ 125	4400–4500K	203 ⇔ 209	5600–5700K
042 ⇔ 048	3300–3400K	126 ⇔ 132	4500–4600K	210 ⇔ 216	5700–6000K
049 ⇔ 055	3400–3500K	133 ⇔ 139	4600–4700K	217 ⇔ 223	6000–6500K
056 ⇔ 062	3500–3600K	140 ⇔ 146	4700–4800K	224 ⇔ 230	6500–7000K
063 ⇔ 069	3600–3700K	147 ⇔ 153	4800–4900K	231 ⇔ 237	7000–7500K
070 ⇔ 076	3700–3800K	154 ⇔ 160	4900–5000K	238 ⇔ 244	7500–8000K
077 ⇔ 083	3800–3900K	161 ⇔ 167	5000–5100K	245 ⇔ 255	8000K

Descripción del Panel de Control

Taste	Funktion
<MENU>	Damit verlassen Sie das aktuelle Menü oder die Funktion.
<ENTER>	Damit wird das aktuell angezeigte Menü aktiviert oder der aktuell ausgewählte Wert einer Funktion eingestellt
<UP>	Damit navigieren Sie sich durch die Menüpunkte nach oben und erhöhen den numerischen Wert der entsprechenden Funktion.
<DOWN>	Damit navigieren Sie sich durch die Menüpunkte nach unten und verringern den numerischen Wert der entsprechenden Funktion.
<FOCUS>	Damit wird das Gerät in de Fokus-Modus gesetzt, wodurch die volle Leistung für einfaches Fokussieren abgerufen wird, ohne dass andere Geräteeinstellungen geändert werden müssen. Drücken Sie erneut drauf, um den Fokus-Modus zu verlassen.

Menüstruktur

Die neueste Menükarte finden Sie auf der Ovation Réve E-3--produktseite unter www.chauvetprofessional.com.

Hauptebene	Programmirebenen	Beschreibung				
DMX Address	001–512*	Wählt die DMX-Adresse aus (*der höchste Kanal ist auf die gewählte Eigenschaft beschränkt)				
DMX Channel	1Ch	<table border="1" style="width: 100%;"> <tr> <td>Virtual Color Wheel</td> <td rowspan="3">1 Kanal: Dimmer</td> </tr> <tr> <td>Color Temperature</td> </tr> <tr> <td>Manual Color Mixer</td> </tr> </table>	Virtual Color Wheel	1 Kanal: Dimmer	Color Temperature	Manual Color Mixer
	Virtual Color Wheel	1 Kanal: Dimmer				
	Color Temperature					
	Manual Color Mixer					
	5Ch	5 Kanal: Dimmer, Virtuelles Farbrad, Farbtemperatur, Farbton, Goborotator				
	6Ch	6 Kanal: RGBA, minzgrün, Goborotator				
	8Ch	8 Kanal: Dimmer, RGBA, minzgrün, Stroboskopeffekt, Goborotator				
	12Ch	12 Kanal: 16-bit Dimmer, RGBA, minzgrün, Stroboskopeffekt, Virtuelles Farbrad, Farbtemperatur, Farbton, Goborotator				
	14Ch1	14 Kanal: Dimmer, RGBA, minzgrün, Stroboskopeffekt, Virtuelles Farbrad, Farbtemperatur, Auto-programm, Auto-Geschwindigkeit, Kontrolle, Farbton, Goborotator				
14Ch2	14 Kanal: 16-bit Dimmer und RGBA, minzgrün Stroboskopeffekt, Goborotator					
18Ch	18 Kanal: 16-bit Dimmer und RGBA, minzgrün, Stroboskopeffekt, Virtuelles Farbrad, Farbtemperatur, Kontrolle, Farbton, Goborotator					
HSV	4 Kanal: Farbton, Farbsättigung, Farbwert, Goborotator					

Hauptebene	Programmirebenen		Beschreibung	
Virtual Color Wheel	C3050 - Md Yellow C3040 - Lt Yellow C3240 - Amb Yellow C2340 - VLt Amber C2040 - Lt Amber C2050 - Md Amber C2060 - Dk Amber C1050 - Lt Red C1080 - Md Red C1020 - NC Pink C1030 - Md Pink C1630 - Dk Pink C1250 - Md Red Amber C1060 - Dk Red Amber C1650 - Magenta C6170 - Dk Magenta C6020 - Lt Lavender C5030 - Lt Blue	Dimmer	000–255	Das Virtuelle Farbrad simuliert die Ausgabe jeder Gel-Farbe. Für spezifische Werte, siehe den Abschnitt Tabelle: Virtuelles Farbrad .
	C5020 - VLt Blue C5430 - Lt Blue 2 C5070 - Blue C5050 - Md Blue C5060 - Dk Blue C5690 - Indigo C5080 - VDk Blue C5081 - VDk Blue 2 C4370 - Yel Green C4070 - Green C4550 - Turquoise C4560 - Aqua C4570 - Blue Green			
Virtual Color Wheel	2800K 2900K 3000K 3100K 3200K 3300K 3400K 3500K 3600K 3700K 3800K 3900K 4000K 4100K 4200K	Dimmer	0–255	Voreinstellung der weißen Farbtemperaturen. Bildet eine Wolframlampe mit der spezifizierten Farbtemperatur ab. Für spezifische Werte, siehe den Abschnitt Farbtemperatur-Tabelle .
	4300K 4400K 4500K 4600K 4700K 4800K 4900K 5000K 5100K 5200K 5300K 5400K			

Hauptebene	Programmirebenen		Beschreibung	
Auto Show	Auto 1-5	1-100	Wählt das Auto-Programm und die Geschwindigkeit aus	
Red Shift	On		Ahmt die Dimmung einer Halogenlampe nach	
	Off			
Gobo Rotator	000-255		Steuert den Gaborotator	
Master/ Slave	Master		Empfängt DMX-Signal vom DMX-Controller (Master)	
	Slave		Empfängt das DMX-Signal vom Master-Gerät	
Dimmer Curve	SCurve		Stellt die Dimmungskurve ein	
	Linear			
	Square			
	Inverse Square			
Dimmer Mode	Off		Linearer Dimmer	
	Dimmer 1-3		Dimmkurven von schnell (1) bis langsam (3)	
Color Calibration	Off		Deaktiviert die Farbkalibrierung	
	User Calibration	Red	125-255	Stellt den maximalen Wert der Roten LED ein
		Green		Stellt den maximalen Wert der Grün LED ein
		Blue		Stellt den maximalen Wert der Blau LED ein
		Amber		Stellt den maximalen Wert der Bernsteinfarbenen LED ein
		Mint		Stellt den maximalen Wert der Minzgrün LED ein
Factory Calibration		Verwendet die werksseitig Standardeinstellung "Weiß"		
LED Frequency	600Hz		Stellt die PWM-Frequenz ein	
	1200Hz			
	2000Hz			
	4000Hz			
	6000Hz			
	25KHz			
Fan Mode	Auto		Stellt den Lüfter auf den Auto-Modus ein	
	On		Stellt den Lüfter auf den "immer eingeschaltet"-Modus ein	
	Off		Setzt den Lüfter auf immer aus	
	Silent		Stellt den Lüfter auf lautlos	
Back Light	10S		Die Hintergrundbeleuchtung nach 10 Sek. ausgeschaltet	
	30S		Die Hintergrundbeleuchtung nach 30 Sek. ausgeschaltet	
	2Min		Die Hintergrundbeleuchtung nach 2 Minuten ausgeschaltet	
	Always On		Hintergrundbeleuchtung immer an	
Gobo Power	On		Damit aktivieren oder deaktivieren Sie den Gobo-Leistungsausgang	
	Off			
Information	Fixture Hours	---H	Zeigt an, wie lange das Gerät eingeschaltet gewesen ist	
	LED Hours	---H	Zeigt an, wie lange das LED eingeschaltet gewesen ist	
	Version	V--	Zeigt die aktuelle Firmware-Version an	
	UID	-----	Zeigt die Geräte-UID an	
Update Firmware	Only This Unit	-----CHL	Wählt die Update-Datei für dieses Produkt, oder zeigt "No such file!"	
		...		
	Multiple Units	-----CHL	Wählt die Update-Datei für dieses Produkt und verbundene Ovation Rêve E-3-Produkte, oder zeigt "No such file!"	
		...		
Other Fixture Type	-----CHL	Wählt die Update-Datei für andere verbundene Produkte, oder zeigt "No such file!"		
	...			
Reset Factory	No		Damit stellen Sie das Gerät auf die Werkseinstellungen zurück	
	Yes			



WARNUNG: Wenn Sie im Lüftermodus arbeiten: Aus, wird das Gerät bei Berührung heißer als bei Verwendung anderer Lüftermodi. Verwenden Sie geeignete Schutzausrüstung, um Verbrennungen zu vermeiden. Halten Sie einen Sicherheitsabstand zu brennbaren Gegenständen ein.



HINWEIS: Im Lüftermodus: Aus wird der Ausgang des Geräts reduziert und erreicht nicht die gleichen Pegel wie bei Verwendung anderer Lüftermodi.

DMX-Werte

HSV

Kanal	Funktion	Wert	Prozent/Einstellung
1	Farbton	000 ⇔ 255	0–100%
2	Farbsättigung	000 ⇔ 255	0–100%
3	Farbwert	000 ⇔ 255	0–100%
4	Goborotator	000 ⇔ 127	Index
		128 ⇔ 190	Drehung im Uhrzeigersinn, schnell bis langsam
		191 ⇔ 192	Halt
		193 ⇔ 255	Drehung gegen den Uhrzeigersinn, langsam bis schnell

18Ch

Kanal	Funktion	Wert	Prozent/Einstellung
1	Dimmer	000 ⇔ 255	0–100%
2	Feine Dimmer	000 ⇔ 255	0–100%
3	Rot	000 ⇔ 255	0–100%
4	Feine rot	000 ⇔ 255	0–100%
5	Grün	000 ⇔ 255	0–100%
6	Feine grün	000 ⇔ 255	0–100%
7	Blau	000 ⇔ 255	0–100%
8	Fein blau	000 ⇔ 255	0–100%
9	Bernsteinfarben	000 ⇔ 255	0–100%
10	Feine bernsteinfarben	000 ⇔ 255	0–100%
11	Minzgrün	000 ⇔ 255	0–100%
12	Feine minzgrün	000 ⇔ 255	0–100%
13	Stroboskop	000 ⇔ 010	Keine Funktion
		011 ⇔ 255	Stroboskopeffekt, langsam bis schnell
14	Virtuelles Farbrad	000 ⇔ 255	Siehe Tabelle: Virtuelles Farbrad
15	Farbtemperatur	000 ⇔ 255	Siehe Farbtemperatur DMX-Kanalwert
16	Farbton	000 ⇔ 000	0
		001 ⇔ 255	-25–25
17	Kontrolle (3 Sekunden lang gedrückt halten)	000 ⇔ 007	Keine Funktion
		008 ⇔ 015	Dimmer zurücksetzen
		016 ⇔ 023	Rotverschiebung ein
		024 ⇔ 031	Rotverschiebung aus
		032 ⇔ 039	S-Kurve Dimmerkurve
		040 ⇔ 047	Lineare Dimmerkurve
		048 ⇔ 055	Quadratische Dimmerkurve
		056 ⇔ 063	Inverse quadratische Dimmerkurve
		064 ⇔ 071	Dimmer-Geschwindigkeits-Modus aus
		072 ⇔ 079	Dimmer-Geschwindigkeits-Modus 1 (schnellste)
		080 ⇔ 087	Dimmer-Geschwindigkeits-Modus 2
		088 ⇔ 095	Dimmer-Geschwindigkeits-Modus 3 (langsamste)
		096 ⇔ 103	Lüfter Auto-Modus
		104 ⇔ 111	Lüfter eingeschaltet
112 ⇔ 119	Lüfter ausgeschaltet		
120 ⇔ 127	Lüfter lautlos		
128 ⇔ 255	Reserviert für zukünftige Verwendung		
18	Goborotator	000 ⇔ 127	Index
		128 ⇔ 190	Drehung im Uhrzeigersinn, schnell bis langsam
		191 ⇔ 192	Halt
		193 ⇔ 255	Drehung gegen den Uhrzeigersinn, langsam bis schnell

DE

14Ch1

Kanal	Funktion	Wert	Prozent/Einstellung
1	Dimmer	000 ⇔ 255	0–100%
2	Rot	000 ⇔ 255	0–100%
3	Grün	000 ⇔ 255	0–100%
4	Blau	000 ⇔ 255	0–100%
5	Bernsteinfarben	000 ⇔ 255	0–100%
6	Minzgrün	000 ⇔ 255	0–100%
7	Stroboskop	000 ⇔ 010 011 ⇔ 255	Keine Funktion Stroboskopeffekt, langsam bis schnell
8	Virtuelles Farbrad	000 ⇔ 255	Siehe Tabelle: Virtuelles Farbrad
9	Farbtemperatur	000 ⇔ 255	Siehe Farbtemperatur DMX-Kanalwert
10	Hue	000 ⇔ 000 001 ⇔ 255	0 -25–25
11	Auto-Programme	000 ⇔ 010 011 ⇔ 060 061 ⇔ 110 111 ⇔ 160 161 ⇔ 210 211 ⇔ 255	Keine Funktion Autoprogramm 1 Autoprogramm 2 Autoprogramm 3 Autoprogramm 4 Autoprogramm 5
12	Auto-Geschwindigkeit	000 ⇔ 255	0–100%
13	Kontrolle (3 Sekunden lang gedrückt halten)	000 ⇔ 007 008 ⇔ 015 016 ⇔ 023 024 ⇔ 031 032 ⇔ 039 040 ⇔ 047 048 ⇔ 055 056 ⇔ 063 064 ⇔ 071 072 ⇔ 079 080 ⇔ 087 088 ⇔ 095 096 ⇔ 103 104 ⇔ 111 112 ⇔ 119 120 ⇔ 127 128 ⇔ 255	Keine Funktion Dimmer zurücksetzen Rotverschiebung ein Rotverschiebung aus S-Kurve Dimmerkurve Lineare Dimmerkurve Quadratische Dimmerkurve Inverse quadratische Dimmerkurve Dimmer-Geschwindigkeits-Modus aus Dimmer-Geschwindigkeits-Modus 1 (schnellste) Dimmer-Geschwindigkeits-Modus 2 Dimmer-Geschwindigkeits-Modus 3 (langsamste) Lüfter Auto-Modus Lüfter eingeschaltet Lüfter ausgeschaltet Lüfter lautlos Reserviert für zukünftige Verwendung
14	Goborotator	000 ⇔ 127 128 ⇔ 190 191 ⇔ 192 193 ⇔ 255	Index Drehung im Uhrzeigersinn, schnell bis langsam Halt Drehung gegen den Uhrzeigersinn, langsam bis schnell

14Ch2

Kanal	Funktion	Wert	Prozent/Einstellung
1	Dimmer	000 ⇔ 255	0–100%
2	Feine Dimmer	000 ⇔ 255	0–100%
3	Rot	000 ⇔ 255	0–100%
4	Feine rot	000 ⇔ 255	0–100%
5	Grün	000 ⇔ 255	0–100%
6	Feine grün	000 ⇔ 255	0–100%
7	Blau	000 ⇔ 255	0–100%
8	Fein blau	000 ⇔ 255	0–100%
9	Bernsteinfarben	000 ⇔ 255	0–100%
10	Feine bernsteinfarben	000 ⇔ 255	0–100%
11	Minzgrün	000 ⇔ 255	0–100%

Kanal	Funktion	Wert	Prozent/Einstellung
12	Feine minzgrün	000 ⇔ 255	0–100%
13	Stroboskop	000 ⇔ 010 011 ⇔ 255	Keine Funktion Stroboskopeffekt, langsam bis schnell
14	Goborotator	000 ⇔ 127 128 ⇔ 190 191 ⇔ 192 193 ⇔ 255	Index Drehung im Uhrzeigersinn, schnell bis langsam Halt Drehung gegen den Uhrzeigersinn, langsam bis schnell

12Ch

Kanal	Funktion	Wert	Prozent/Einstellung
1	Dimmer	000 ⇔ 255	0–100%
2	Feine Dimmer	000 ⇔ 255	0–100%
3	Rot	000 ⇔ 255	0–100%
4	Grün	000 ⇔ 255	0–100%
5	Blau	000 ⇔ 255	0–100%
6	Bernsteinfarben	000 ⇔ 255	0–100%
7	Minzgrün	000 ⇔ 255	0–100%
8	Stroboskop	000 ⇔ 010 011 ⇔ 255	Keine Funktion Stroboskopeffekt, langsam bis schnell
9	Virtuelles Farbrad	000 ⇔ 255	Siehe Tabelle: Virtuelles Farbrad
10	Farbtemperatur	000 ⇔ 255	Siehe Farbtemperatur DMX-Kanalwert
11	Farbton	000 ⇔ 000 001 ⇔ 255	0 -25–25
12	Goborotator	000 ⇔ 127 128 ⇔ 190 191 ⇔ 192 193 ⇔ 255	Index Drehung im Uhrzeigersinn, schnell bis langsam Halt Drehung gegen den Uhrzeigersinn, langsam bis schnell

8Ch

Kanal	Funktion	Wert	Prozent/Einstellung
1	Dimmer	000 ⇔ 255	0–100%
2	Rot	000 ⇔ 255	0–100%
3	Grün	000 ⇔ 255	0–100%
4	Blau	000 ⇔ 255	0–100%
5	Bernsteinfarben	000 ⇔ 255	0–100%
6	Minzgrün	000 ⇔ 255	0–100%
7	Stroboskop	000 ⇔ 010 011 ⇔ 255	Keine Funktion Stroboskopeffekt, langsam bis schnell
8	Goborotator	000 ⇔ 127 128 ⇔ 190 191 ⇔ 192 193 ⇔ 255	Index Drehung im Uhrzeigersinn, schnell bis langsam Halt Drehung gegen den Uhrzeigersinn, langsam bis schnell

6Ch

Kanal	Funktion	Wert	Prozent/Einstellung
1	Rot	000 ⇔ 255	0–100%
2	Grün	000 ⇔ 255	0–100%
3	Blau	000 ⇔ 255	0–100%
4	Bernsteinfarben	000 ⇔ 255	0–100%
5	Minzgrün	000 ⇔ 255	0–100%
6	Goborotator	000 ⇔ 127 128 ⇔ 190 191 ⇔ 192 193 ⇔ 255	Index Drehung im Uhrzeigersinn, schnell bis langsam Halt Drehung gegen den Uhrzeigersinn, langsam bis schnell

DE

5Ch

Kanal	Funktion	Wert	Prozent/Einstellung
1	Dimmer	000 ⇔ 255	0–100%
2	Virtuelles Farbrad	000 ⇔ 255	Siehe Tabelle: Virtuelles Farbrad
3	Farbtemperatur	000 ⇔ 255	Siehe Farbtemperatur DMX-Kanalwert
4	Farbton	000 ⇔ 000	0
		001 ⇔ 255	-25–25
5	Goborotator	000 ⇔ 127	Index
		128 ⇔ 190	Drehung im Uhrzeigersinn, schnell bis langsam
		191 ⇔ 192	Halt
		193 ⇔ 255	Drehung gegen den Uhrzeigersinn, langsam bis schnell

1Ch

Kanal	Funktion	Wert	Prozent/Einstellung
1	Dimmer	000 ⇔ 255	0–100%

Over deze handleiding

De Ovation Rêve E-3 Beknopte Handleiding (BH) bevat basisinformatie over het product, zoals aansluiting, montage, menu-opties en DMX-waarden. Download de gebruikershandleiding op www.chauvetprofessional.com voor meer informatie.

Disclaimer

De informatie en specificaties in deze BH kunnen zonder voorafgaande kennisgeving worden gewijzigd.

BEPERKTE GARANTIE

GA NAAR ONZE WEBSITE VOOR REGISTRATIE VAN DE GARANTIE EN DE VOLLEDIGE ALGEMENE VOORWAARDEN.

Voor klanten in de Verenigde Staten en Mexico: www.chauvetlighting.com/warranty-registration.

Voor klanten in het Verenigd Koninkrijk, Ierland, België, Nederland, Luxemburg, Frankrijk en Duitsland: www.chauvetlighting.eu/warranty-registration/.

Chauvet garandeert dat dit product bij normaal gebruik vrij zal blijven van defecten in materiaal en vakmanschap, voor de opgegeven periode en onder voorbehoud van de uitzonderingen en beperkingen die zijn uiteengezet in de volledige beperkte garantie op onze website. Deze garantie geldt uitsluitend voor de oorspronkelijke koper van het product en is niet overdraagbaar. Om onder deze garantie rechten uit te oefenen, moet u een aankoopbewijs overleggen in de vorm van een origineel verkoopbewijs van een geautoriseerde dealer, waarop de naam van het product en de aankoopdatum zichtbaar zijn. **ER ZIJN GEEN ANDERE EXPLICIETE OF IMPLICIETE GARANTIES.** Deze garantie geeft u specifieke wettelijke rechten. Mogelijk heeft u ook andere rechten die van staat tot staat en van land tot land verschillen. Deze garantie is uitsluitend geldig in de Verenigde Staten, het Verenigd Koninkrijk, Ierland, België, Nederland, Luxemburg, Frankrijk, Duitsland en Mexico. Neem contact op met uw lokale verkoper voor garantievoorwaarden in andere landen.

Veiligheidsinstructies

- De armatuur moet zodanig geplaatst worden dat langdurig staren in de armatuur op een afstand van minder dan 3,0 m voorkomen wordt.
- Als de externe flexibele kabel of het snoer van deze armatuur beschadigd is, moet deze worden vervangen door een speciaal snoer of een snoer dat uitsluitend beschikbaar is bij de fabrikant of zijn onderhoudsagent.
- De lichtbron die in deze armatuur omvat is mag alleen vervangen worden door de fabrikant, of diens onderhoudsagent of een soortgelijk erkend persoon.
- De armatuur is uitsluitend bedoeld voor professioneel gebruik.
- Open het product NIET. Het bevat geen te onderhouden onderdelen.
- KIJK NIET in de lichtbron wanneer het apparaat is ingeschakeld.
- Gebruik dit product NIET buitenshuis of op een locatie waar stof, grote warmte, water of vochtigheid het kunnen beïnvloeden (IP20).
- Plaats geen ontvlambaar materiaal binnen 50 cm van dit product als het in gebruik is of is aangesloten op het stopcontact.
- Gebruik dit product NIET als de behuizing, lenzen of kabels beschadigd lijken.
- Sluit dit product NIET aan op een dimmer of een regelweerstand.
- LET OP: De behuizing van dit product kan heet zijn wanneer het in bedrijf is.
- LET OP: Bij het verplaatsen van het product uit extreme omgevingen, (bijv. koude vrachtwagen naar warme, vochtige balzaal) kan er condensvorming optreden op de elektronica van het product. Om storingen te vermijden moet het product volledig kunnen acclimatiseren aan de omgeving voordat het op stroom wordt aangesloten.
- GEBRUIK een veiligheidskabel bij het boven het hoofd plaatsen van dit product.
- Sluit dit product UITSLUITEND op een geaard en beveiligd stroomcircuit.
- Gebruik UITSLUITEND de ophang-/montagebeugel om dit product te dragen.
- Monteer dit product op een plek met voldoende ventilatie, ten minste 50 cm van de aangrenzende oppervlakken.
- Om onnodige slijtage te elimineren en zijn levensduur te verlengen, gedurende perioden wanneer het product niet wordt gebruikt, moet u het product van de stroom afsluiten door een aardlekschakelaar om te zetten of door het te ontkoppelen.
- Stop in het geval van ernstige operationele problemen onmiddellijk met het gebruik.
- De maximale omgevingstemperatuur bedraagt 45 °C. Gebruik dit product niet bij hogere temperaturen.

FCC-naleving

Dit apparaat voldoet aan Part 15 Part B van de FCC-regels. Het gebruik is onderworpen aan de volgende twee voorwaarden:

1. Dit apparaat mag geen schadelijke interferentie veroorzaken, en
2. Dit apparaat moet enige ontvangen interferentie accepteren, inclusief interferentie die een ongewenste werking kan veroorzaken.

Eventuele wijzigingen of aanpassingen die niet uitdrukkelijk door de voor naleving verantwoordelijke partij zijn goedgekeurd, kan de bevoegdheid van de gebruiker om de apparatuur te bedienen ongeldig verklaren.

Contact

Van buiten de VS, Verenigd Koninkrijk, Ierland, Benelux, Frankrijk, Duitsland of Mexico kunt u contact opnemen met de distributeur of om ondersteuning vragen dan wel het product retourneren. Ga naar [Contact Us](#) voor contactinformatie.

Wat is inbegrepen

- Ovation Rêve E-3
- Soft focus filter
- Beknopte handleiding
- Seetronic Powerkon stroomsnoer
- Ovation metalen gobohouder



Indien er op het soft-focus-filter een beschermende film zit, dient deze eerst verwijderd te worden. Het filter zit in een houder in de metalen gobo-sleuf.

AC-stroom

Dit product heeft een voeding met automatisch bereik die werkt met een ingangsspanning van 100–240 VAC, 50/60 Hz.

Power Linking

U kunt tot 3 Ovation Rêve E-3-producten koppelen bij 100 V, 4 producten bij 120 V, 7 producten bij 208 V, 8 producten bij 230 V, 8 producten bij 240 V. Dit aantal niet overschrijden. Power Linking-snoeren kunnen apart aangeschaft worden.

AC-stekker

Aansluiting	Snoer (VS)	Snoer (Europa)	Schroefkleur
AC Live	Zwart	Bruin	Geel/messing
AC Neutraal	Wit	Blauw	Zilver
AC Aarde	Groen/geel	Groen/geel	Groen



Om onnodige slijtage te elimineren en zijn levensduur te verlengen, gedurende perioden wanneer het product niet wordt gebruikt, moet u het product van de stroom afsluiten door een aardlekschakelaar om te zetten of door het te ontkoppelen.

De zekering vervangen

1. Ontkoppel dit product van de stroom.
2. Gebruik een kruiskopschroevendraaier en schroef de kap van de zekeringshouder los van de behuizing.
3. Verwijder de doorgebrande zekering en vervang het met een werkende zekering van hetzelfde type en met dezelfde waarde.
4. Schroef de kap van de zekeringhouder terug en steek de stekker er weer in.

DMX-koppeling

De Ovation Rêve E-3 kan met een DMX-controller werken met een 3- and 5-pins DMX seriële verbinding. Op www.chauvetprofessional.com is een DMX basishandleiding verkrijgbaar.

DMX-aansluiting

De Ovation Rêve E-3 gebruikt een 3- en 5-pins DMX-gegevensverbinding voor zijn DMX-persoonlijkheden: **1Ch, 5Ch, 6Ch, 8Ch, 12Ch, 14Ch1, 14Ch2, 18Ch** of **HSV**. Zie de gebruikershandleiding om te verbinden en te configureren voor DMX-werking.

Master/slave-verbinding

De Ovation Rêve E-3 maakt gebruik van de DMX-dataverbinding voor haar Master-/Slave-modus. Zie de gebruikershandleiding om te verbinden en te configureren voor Master/Slave-werking.

RDM (apparaatbeheer op afstand)

Remote Device Management of RDM (apparaatbeheer op afstand) is een standaard die het voor DMX-apparaten mogelijk maakt om in twee richtingen te communiceren over bestaande DMX-kabels. De Ovation Rêve E-3 ondersteunt het RDM-protocol dat zorgt feedback toelaat bij de bewaking van wijzigingen aan de menu map-opties van. Download de gebruikershandleiding op www.chauvetprofessional.com voor meer informatie.

USB-softwareupdate

De Ovation Rêve E-3 kan via USB een softwareupdate ontvangen via de ingebouwde USB-poort. Ga als volgt te werk om de software via USB bij te werken:

1. Schakel het armatuur in en steek de USB-stick in de USB-poort.
2. Zodra de flashdrive gedetecteerd is wordt de melding "Upgrade Firmware" (Firmware bijwerken) weergegeven. Druk op <ENTER>.
 - Als er een andere melding op het scherm verschijnt moet u in het menu (**Updated Firmware**, ofwel **bijgewerkte firmware**) naar de bijgewerkte software zoeken en kies uit **Only This Unit, Multiple Units of Other Fixture Type**. Er wordt een lijst met de bijgewerkte softwarebestanden weergegeven.
3. Selecteer het bestand dat geüpload moet worden. Er verschijnt een melding "Are you sure?" (Weet u het zeker?). Druk op <ENTER>.
4. Als het geselecteerde bestand correct is, wordt de upgrade voltooid. Start de armatuur opnieuw op.
 - Als het geselecteerde bestand onjuist is, zal de upgrade mislukken en gaat het scherm terug naar de hoofdinterface. Herhaal stap 1-3 dan met het juiste bestand.



Het bestand in .chl-formaat moet in de map "OVATION" op de USB-stick geplaatst worden.



De optie "Other Fixture Type" kan alleen worden geselecteerd voor aangesloten producten die compatibel zijn met Upload 03 (de eerste 2 cijfers van de artikelcode moeten 03 zijn).

Lensbuizen

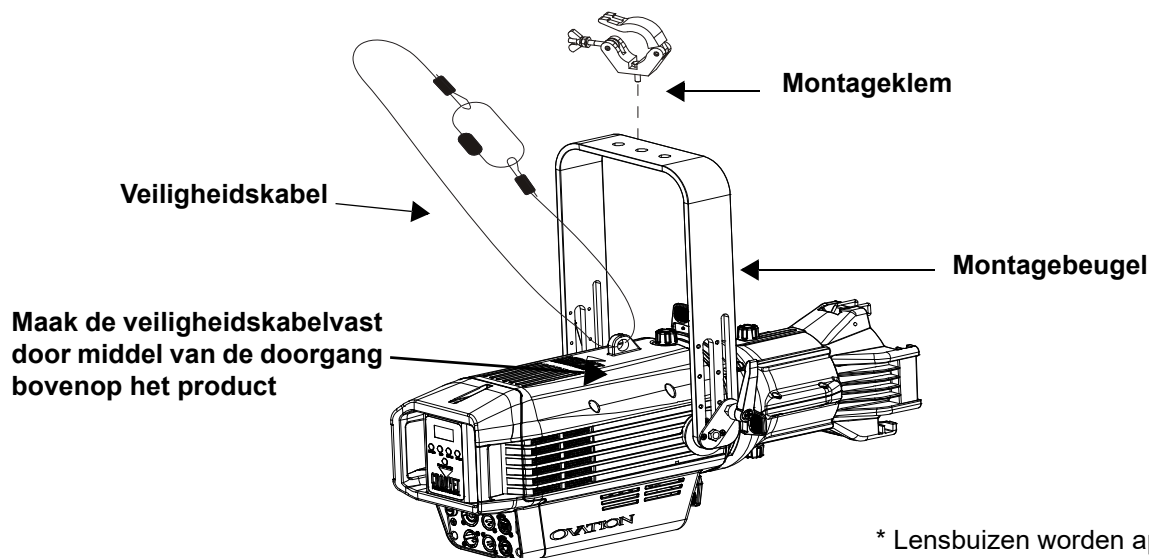
De volgende lensbuizen zijn aan te schaffen:

- 19°, 26°, 36° en 50° met gelframe (159 mm accessoires)
- 5° zoom gelframe (356 mm)
- 10° zoom gelframe (304 mm)
- 14°, 15–30° en 25°–50° zoom gelframe (91 mm accessoires)

Montage

Lees alvorens dit product te monteren alle [Veiligheidsinstructies](#). Controleer of de montageklem het gewicht van het product kan dragen. Ga voor onze Chauvet-serie montageklemmen naar <http://trusst.com/productcategory/truss-clamps/>.

Montagediagram van het product

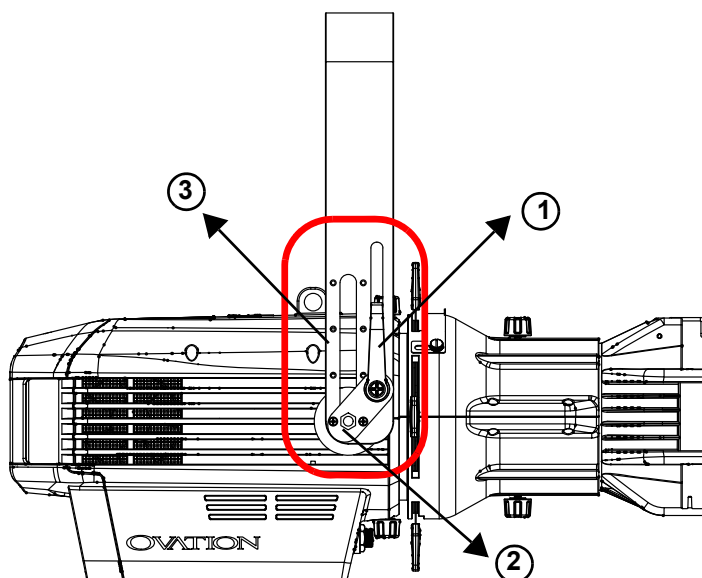


Montage boven het hoofd

Instelbare beugel

De Ovation Rêve E-3 wordt met een instelbare beugel geleverd voor montage op plaatsen met weinig ruimte. Doe het volgende om de hoogte van de beugel aan te passen:

1. Draai de beugelstelknoppen aan weerszijde van de armatuur los.
2. Verwijder, aan weerszijden van de armatuur, de twee schroeven en draai de bout los die de plaat aan de montagebeugel bevestigt.
3. Gebruik de schroefgaten als leidraad en pas de positie van de montagebeugel aan tot de gewenste hoogte van de beugel.
4. Plaats de schroeven weer terug en draai de bouten en de stelknoppen van de beugel aan.



Virtueel kleurenwiel

De Ovation Rêve E-3 bevat een functie, genaamd het virtuele kleurenwiel (Virtual Color Wheel, VCW). Deze functie is beschikbaar als een losstaande bedieningsmodus voor handmatig gebruik en ook als een bedieningskanaal in de geselecteerde DMX-persoonlijkheden van de producten. Voor eenvoudiger programmering zijn er meer dan 30 voorgemengde kleuren beschikbaar die speciaal door onze technici zijn samengesteld.

De DMX-waarden die worden gebruikt voor het mengen van deze kleuren staan hieronder vermeld. U kunt de algehele intensiteit van het Ovation-armatuur aanpassen om de kleuren waarmee u bekend bent beter na te bootsen. Op onze website www.chauvetprofessional.com is een tabel beschikbaar om onze voorgemengde kleuren te vergelijken met populaire gelkleuren. Deze grafiek is uitsluitend bedoeld voor vergelijkingsdoeleinden en vormt geen garantie dat onze voorgemengde kleuren overeenkomen met de vermelde gelkleuren.

Kleurenkaart

DMX-kanaalwaarde	Weergave op het display	Rode waarde	Groene waarde	Blauwe waarde	Amber waarde	Mintgroen waarde
000 ⇔ 005	--	--	--	--	--	--
006 ⇔ 013	C3050 - Md Yellow	255	225	0	255	37
014 ⇔ 021	C3040 - Lt Yellow	255	177	3	255	37
022 ⇔ 028	C3240 - Amb Yellow	255	220	0	255	0
029 ⇔ 035	C2340 - VLt Amber	195	0	15	255	57
036 ⇔ 043	C2040 - Lt Amber	255	0	11	255	61
044 ⇔ 051	C2050 - Md Amber	255	53	0	255	17
052 ⇔ 059	C2060 - Dk Amber	255	8	0	255	17
060 ⇔ 067	C1050 - Lt Red	255	0	3	14	0
068 ⇔ 075	C1080 - Md Red	255	0	2	0	0
076 ⇔ 083	C1020 - NC Pink	255	75	62	255	73
084 ⇔ 091	C1030 - Md Pink	255	75	57	255	41
092 ⇔ 099	C1630 - Dk Pink	218	77	57	255	61
100 ⇔ 107	C1250 - Md Red Amber	255	0	9	168	0
108 ⇔ 115	C1060 - Dk Red Amber	255	5	9	36	0
116 ⇔ 121	C1650 - Magenta	255	3	62	255	12
122 ⇔ 130	C6170 - Dk Magenta	255	0	55	0	0
131 ⇔ 138	C6020 - Lt Lavender	255	220	93	255	44
139 ⇔ 146	C5030 - Lt Blue	0	255	159	112	78
147 ⇔ 154	C5020 - VLt Blue	0	215	145	196	65
155 ⇔ 162	C5430 - Lt Blue2	0	215	132	52	92
163 ⇔ 170	C5070 - Blue	0	195	188	0	19
171 ⇔ 178	C5050 - Md Blue	0	163	190	0	68
179 ⇔ 186	C5060 - Dk Blue	0	128	193	0	38
187 ⇔ 194	C5690 - Indigo	53	9	255	0	0
195 ⇔ 202	C5080 - VDk Blue	7	84	116	0	0
203 ⇔ 210	C5081 - VDk Blue2	11	82	139	0	0
211 ⇔ 218	C4370 - Yel Green	0	255	2	25	0
219 ⇔ 226	C4070 - Green	0	255	9	0	175
227 ⇔ 234	C4550 - Turquoise	0	255	87	96	255
235 ⇔ 242	C4560 - Aqua	0	255	98	44	255
243 ⇔ 250	C4570 - Blue Green	0	255	26	8	0
251 ⇔ 255	--	--	--	--	--	--



Let op: De kleuren hierboven zijn gesimuleerde waargaven van de kleurenitvoer die zijn geproduceerd, in vergelijking met de andere gelijksoortige lichtproducten. Chauvet geeft geen garantie over de nauwkeurigheid van de kleuropbrengst.

Kleurtemperatuur-kaart

Kleurtemperatuur	Rode waarde	Groene waarde	Blauwe waarde	Amber waarde	Mintgroen waarde
2800K	253	0	25	255	145
2900K	253	3	28	255	153
3000K	251	5	33	255	161
3100K	248	7	36	255	169
3200K	245	9	45	255	173
3300K	242	13	47	255	182
3400K	237	22	53	255	185
3500K	230	30	58	255	185
3600K	225	40	64	255	185
3700K	221	48	70	255	185
3800K	220	48	74	255	197
3900K	220	50	79	255	203
4000K	210	58	84	255	203
4100K	205	63	88	255	203
4200K	199	68	95	255	204
4300K	189	69	98	255	204
4400K	183	71	103	255	204
4500K	174	78	107	255	204
4600K	170	80	112	255	204
4700K	166	89	119	255	204
4800K	164	98	123	255	203
4900K	163	100	129	255	205
5000K	163	103	137	255	206
5100K	163	108	142	255	208
5200K	163	116	147	255	208
5300K	163	118	156	255	210
5400K	162	122	162	255	216
5500K	162	124	166	255	224
5600K	162	127	172	255	229
5700K	159	127	177	255	231
6000K	158	134	192	241	231
6500K	152	152	206	225	231
7000K	144	157	224	218	231
7500K	127	172	238	218	231
8000K	122	175	245	200	231



Let op: De bovenstaande kleurtemperaturen zijn gesimuleerde weergaven van de geproduceerde kleuropbrengst, in vergelijking met een wolfram-lamp bij de opgegeven kleurtemperatuur. Chauvet geeft geen garantie over de nauwkeurigheid van de kleuropbrengst.

Kleurtemperatuur DMX-kaart

DMX-kanaalwaarde	Kleurtemperatuur	DMX-kanaalwaarde	Kleurtemperatuur	DMX-kanaalwaarde	Kleurtemperatuur
000 ⇔ 005	Geen functie	084 ⇔ 090	3900–4000K	168 ⇔ 174	5100–5200K
006 ⇔ 013	2800–2900K	091 ⇔ 097	4000–4100K	175 ⇔ 181	5200–5300K
014 ⇔ 020	2900–3000K	098 ⇔ 104	4100–4200K	182 ⇔ 188	5300–5400K
021 ⇔ 027	3000–3100K	105 ⇔ 111	4200–4300K	189 ⇔ 195	5400–5500K
028 ⇔ 034	3100–3200K	112 ⇔ 118	4300–4400K	196 ⇔ 202	5500–5600K
035 ⇔ 041	3200–3300K	119 ⇔ 125	4400–4500K	203 ⇔ 209	5600–5700K
042 ⇔ 048	3300–3400K	126 ⇔ 132	4500–4600K	210 ⇔ 216	5700–6000K
049 ⇔ 055	3400–3500K	133 ⇔ 139	4600–4700K	217 ⇔ 223	6000–6500K
056 ⇔ 062	3500–3600K	140 ⇔ 146	4700–4800K	224 ⇔ 230	6500–7000K
063 ⇔ 069	3600–3700K	147 ⇔ 153	4800–4900K	231 ⇔ 237	7000–7500K
070 ⇔ 076	3700–3800K	154 ⇔ 160	4900–5000K	238 ⇔ 244	7500–8000K
077 ⇔ 083	3800–3900K	161 ⇔ 167	5000–5100K	245 ⇔ 255	8000K

Beschrijving bedienings paneel

Toets	Functie
<MENU>	Sluit het huidige menu of functie af
<ENTER>	Activeert het huidige getoonde menu of plaatst de huidige geselecteerde waarde in de geselecteerde functie
<UP>	Navigeert omhoog via het menu of verhoogt de numerieke waarde wanneer in een functie
<DOWN>	Navigeert omlaag via het menu of verlaagt de numerieke waarde wanneer in een functie
<FOCUS>	Plaats de armatuur in de focusmodus, wat de eenheid op vol vermogen plaatst voor eenvoudig focussen zonder andere armatuurinstellingen te veranderen. Nogmaals drukken om de focusmodus te verlaten.

Menumap

Raadpleeg de productpagina van Ovation Rêve E-3 op www.chauvetprofessional.com voor de nieuwste menukaart.

Hoofdniveau	Programmeerniveaus		Beschrijving	
DMX Address	001–512*		Selecteert het start-adres (*hoogste kanaal beperkt tot de gekozen persoonlijkheid)	
DMX Channel	1Ch	Virtual Color Wheel	1-kanaal: dimmer	
		Color Temperature		
		Manual Color Mixer		
		5Ch	5-kanaal: dimmer, virtuele kleurenwiel, kleurtemperatuur, tint, gobo-rotator	
		6Ch	6-kanaal: rood, groen, blauw, amber, mintgroen, gobo-rotator	
		8Ch	8-kanaal: dimmer, RGBAM, stroboscoop, gobo-rotator	
		12Ch	12-kanaal: 16-bit dimmer, RGBAM, stroboscoop, virtuele kleurenwiel, kleurtemperatuur, tint, gobo-rotator	
		14Ch1	14-kanaal: RGBAM, dimmer, stroboscoop, virtuele kleurenwiel, kleurtemperatuur, automatische programma's, programmasnelheid, controle, tint, gobo-rotator	
		14Ch2	14-kanaal: 16-bit RGBAM en dimmer, stroboscoop, gobo-rotator	
	18Ch	18-kanaal: 16-bit RGBAM en dimmer, stroboscoop, virtuele kleurenwiel, kleurtemperatuur, controle, tint, gobo-rotator		
	HSV		4-kanaal: tint, verzadiging, waarde, gobo-rotator	
Virtual Color Wheel	Virtual Color Wheel	C3050 - Md Yellow C3040 - Lt Yellow C3240 - Amb Yellow C2340 - V Lt Amber C2040 - Lt Amber C2050 - Md Amber C2060 - Dk Amber C1050 - Lt Red C1080 - Md Red C1020 - NC Pink C1030 - Md Pink C1630 - Dk Pink C1250 - Md Red Amber C1060 - Dk Red Amber C1650 - Magenta C6170 - Dk Magenta C6020 - Lt Lavender C5030 - Lt Blue C5020 - V Lt Blue C5430 - Lt Blue 2	Dimmer 000–255	Het virtuele kleurenwiel simuleert de opbrengst van elke gelkleur. Raadpleeg de sectie Kleurenkaart voor specifieke waarden.

Hoofdniveau	Programmeerniveaus		Beschrijving	
Virtual Color Wheel (vervolg)	C5070 - Blue C5050 - Md Blue C5060 - Dk Blue C5690 - Indigo C5080 - Vdk Blue C5081 - Vdk Blue 2 C4370 - Yel Green C4070 - Green C4550 - Turquoise C4560 - Aqua C4570 - Blue Green		Dimmer 000–255	Het virtuele kleurenwiel simuleert de opbrengst van elke gelkleur. Raadpleeg de sectie Kleurenkaart voor specifieke waarden.
	Color Temperature	2800K 2900K 3000K 3100K 3200K 3300K 3400K 3500K 3600K 3700K 3800K 3900K 4000K 4100K 4200K 4300K 4400K 4500K 4600K 4700K 4800K 4900K 5000K 5100K 5200K 5300K 5400K 5500K 5600K 5700K 6000K 6500K 7000K 7500K 8000K	Dimmer 0–255	Vooringestelde witte kleurtemperaturen. Emuleert een wolfram-lamp bij de opgegeven kleurtemperatuur. Raadpleeg de sectie Kleurtemperatuur-kaart voor specifieke waarden.
		Red Green Blue Amber Mint	Hue -25–25	
Manual Color Mixer	Auto 1–5	1–100	000–255	Combineert rood, groen, blauw, amber en mintgroen om een aangepaste kleur te genereren (0–100%)
Auto Show	Auto 1–5		1–100	Selecteert automatische programma's en snelheid
Red Shift	On Off			Bootst halogeenlamp dimmen na
Gobo Rotator	000–255			Bestuurt de gobo-rotator
Master/Slave	Master			Ontvangt DMX-signalen van de DMX-controller
	Slave			Ontvangt DMX-signalen van de master
Dimmer Curve	SCurve Linear Square Inverse Square			Stelt de dimcurve in

Hoofdniveau	Programmeerniveaus		Beschrijving
Dimmer Mode	Off		Lineaire dimmer
	Dimmer 1-3		Selecteert dimprofielen van snel (1) tot langzaam (3)
Color Calibration	User Calibration	Off	Deactiveert kleurkalibratie
		Red	Stelt de maximum waarde van de rood LED in
		Green	Stelt de maximum waarde van de groen LED in
		Blue	Stelt de maximum waarde van de blauw LED in
		Amber	Stelt de maximum waarde van de amber LED in
	Mint	Stelt de maximum waarde van de mintgroen LED in	
Factory Calibration		Gebruikt standaard witte instelling	
LED Frequency	600Hz 1200Hz 2000Hz 4000Hz 6000Hz 25KHz		Selecteert de PWM-uitgangsfrequentie
Fan Mode	Auto		Ingesteld de ventilator automatische modus
	On		Ingesteld de ventilator altijd aan modus
	Off		Ingesteld de ventilator altijd uit
	Silent		Ingesteld de ventilator stil
Back Light	10S		Schakelt de backlight uit na 10s van inactiviteit
	30S		Schakelt de backlight uit na 30s van inactiviteit
	2Min		Schakelt de backlight uit na 2 min van inactiviteit
	Always On		De backlight van de display is altijd aan
Gobo Power	On		Schakelt de gobo vermogensuit aan of uit
	Off		
Information	Fixture Hours	----H	Toont het totale aantal producten
	LED Hours	----H	Toont het totale aantal LED-uren
	Version	V_._	Toont de geïnstalleerde softwareversie
	UID	-----	Geeft de huidige UID
Update Firmware	Only This Unit	-----CHL	Selecteert een updatebestand voor dit product, of toont "No such file!"
	Multiple Units	-----CHL	Selecteert een updatebestand voor dit product en verbonden Ovation Rêve E-3-producten, of toont "No such file!"
		-----CHL	Selecteert een updatebestand voor andere aangesloten producten, of toont "No such file!"
Reset Factory	No		Herstellen naar de fabrieksstandaard
	Yes		



WAARSCHUWING: Bij werking in de ventilatormodus: Uit, de armatuur wordt voel warmer aan dan bij gebruik van andere ventilatormodi. Gebruik de juiste beschermende uitrusting om brandwonden te voorkomen. Houd een veilige afstand van brandbare voorwerpen.



LET OP: Bij werking in de ventilatormodus: Uit, uitvoer van de armatuur wordt verminderd en zal niet dezelfde niveaus bereiken als bij andere ventilatormodi.

DMX-waarden

HSV

Kanaal	Functie	Waarde	Percentage/Instelling
1	Tint	000 ⇔ 255	0–100%
2	Verzadiging	000 ⇔ 255	0–100%
3	Waarde	000 ⇔ 255	0–100%
4	Gobo rotator	000 ⇔ 127	Inhoudsopgave
		128 ⇔ 190	Rotatie met de klok mee, snel tot langzaam
		191 ⇔ 192	Stoppen
		193 ⇔ 255	Linksom draaien, langzaam tot snel

18Ch

Kanaal	Functie	Waarde	Percentage/Instelling
1	Dimmer	000 ⇔ 255	0–100%
2	Fijn dimmer	000 ⇔ 255	0–100%
3	Rood	000 ⇔ 255	0–100%
4	Fijn rood	000 ⇔ 255	0–100%
5	Groen	000 ⇔ 255	0–100%
6	Fijn groen	000 ⇔ 255	0–100%
7	Blauw	000 ⇔ 255	0–100%
8	Fijn blauw	000 ⇔ 255	0–100%
9	Amber	000 ⇔ 255	0–100%
10	Fijn amber	000 ⇔ 255	0–100%
11	Mintgroen	000 ⇔ 255	0–100%
12	Fijn mintgroen	000 ⇔ 255	0–100%
13	Stroboscoop	000 ⇔ 010 011 ⇔ 255	Geen functie Stroboscoop, langzaam tot snel
14	Virtueel kleurenwiel	000 ⇔ 255	Raadpleeg de sectie Kleurenkaart
15	Kleurtemperatuur	000 ⇔ 255	Raadpleeg de sectie Kleurtemperatuur DMX-kaart
16	Tint	000 ⇔ 000 001 ⇔ 255	0 -25–25
17	Controle (houd 3 seconden ingedrukt)	000 ⇔ 007 008 ⇔ 015 016 ⇔ 023 024 ⇔ 031 032 ⇔ 039 040 ⇔ 047 048 ⇔ 055 056 ⇔ 063 064 ⇔ 071 072 ⇔ 079 080 ⇔ 087 088 ⇔ 095 096 ⇔ 103 104 ⇔ 111 112 ⇔ 119 120 ⇔ 127 128 ⇔ 255	Geen functie Dimmer reset Rode shift aan Rode shift uit S-curve dimcurve Lineaire dimcurve Vierkante dimcurve Omgekeerde vierkante dimcurve Dimmer snelheidsmodus uit Dimmer snelheidsmodus 1 (snel) Dimmer snelheidsmodus 2 Dimmer snelheidsmodus 3 (langzaam) Ventilator automatische modus Ventilator aan modus Ventilator uit modus Ventilator stil Gereserveerd voor toekomstig gebruik
18	Gobo rotator	000 ⇔ 127 128 ⇔ 190 191 ⇔ 192 193 ⇔ 255	Inhoudsopgave Rotatie met de klok mee, snel tot langzaam Stoppen Linksom draaien, langzaam tot snel

14Ch1

Kanaal	Functie	Waarde	Percentage/Instelling
1	Dimmer	000 ⇔ 255	0–100%
2	Rood	000 ⇔ 255	0–100%
3	Groen	000 ⇔ 255	0–100%
4	Blauw	000 ⇔ 255	0–100%
5	Amber	000 ⇔ 255	0–100%
6	Mintgroen	000 ⇔ 255	0–100%
7	Stroboscoop	000 ⇔ 010 011 ⇔ 255	Geen functie Stroboscoop, langzaam tot snel
8	Virtueel kleurenwiel	000 ⇔ 255	Raadpleeg de sectie Kleurenkaart
9	Kleurtemperatuur	000 ⇔ 255	Raadpleeg de sectie Kleurtemperatuur DMX-kaart
10	Tint	000 ⇔ 000 001 ⇔ 255	0 -25–25

Kanaal	Functie	Waarde	Percentage/Instelling
11	Automatische programma's	000 ⇔ 010	Geen functie
		011 ⇔ 060	Auto 1
		061 ⇔ 110	Auto 2
		111 ⇔ 160	Auto 3
		161 ⇔ 210	Auto 4
		211 ⇔ 255	Auto 5
12	Programmasnelheid	000 ⇔ 255	0–100%
13	Controle (houd 3 seconden ingedrukt)	000 ⇔ 007	Geen functie
		008 ⇔ 015	Dimmer reset
		016 ⇔ 023	Rode shift aan
		024 ⇔ 031	Rode shift uit
		032 ⇔ 039	S-curve dimcurve
		040 ⇔ 047	Lineaire dimcurve
		048 ⇔ 055	Vierkante dimcurve
		056 ⇔ 063	Omgekeerde vierkante dimcurve
		064 ⇔ 071	Dimmer snelheidsmodus uit
		072 ⇔ 079	Dimmer snelheidsmodus 1 (snel)
		080 ⇔ 087	Dimmer snelheidsmodus 2
		088 ⇔ 095	Dimmer snelheidsmodus 3 (langzaam)
		096 ⇔ 103	Ventilator automatische modus
		104 ⇔ 111	Ventilator aan modus
112 ⇔ 119	Ventilator uit modus		
120 ⇔ 127	Ventilator stil		
128 ⇔ 255	Gereserveerd voor toekomstig gebruik		
14	Gobo rotator	000 ⇔ 127	Inhoudsopgave
		128 ⇔ 190	Rotatie met de klok mee, snel tot langzaam
		191 ⇔ 192	Stoppen
		193 ⇔ 255	Linksom draaien, langzaam tot snel

14Ch2

Kanaal	Functie	Waarde	Percentage/Instelling
1	Dimmer	000 ⇔ 255	0–100%
2	Fijn dimmer	000 ⇔ 255	0–100%
3	Rood	000 ⇔ 255	0–100%
4	Fijn rood	000 ⇔ 255	0–100%
5	Groen	000 ⇔ 255	0–100%
6	Fijn groen	000 ⇔ 255	0–100%
7	Blauw	000 ⇔ 255	0–100%
8	Fijn blauw	000 ⇔ 255	0–100%
9	Amber	000 ⇔ 255	0–100%
10	Fijn amber	000 ⇔ 255	0–100%
11	Mintgroen	000 ⇔ 255	0–100%
12	Fijn mintgroen	000 ⇔ 255	0–100%
13	Stroboscoop	000 ⇔ 010	Geen functie
		011 ⇔ 255	Stroboscoop, langzaam tot snel
14	Gobo rotator	000 ⇔ 127	Inhoudsopgave
		128 ⇔ 190	Rotatie met de klok mee, snel tot langzaam
		191 ⇔ 192	Stoppen
		193 ⇔ 255	Linksom draaien, langzaam tot snel

12Ch

Kanaal	Functie	Waarde	Percentage/Instelling
1	Dimmer	000 ⇔ 255	0–100%
2	Fijne dimmer	000 ⇔ 255	0–100%
3	Rood	000 ⇔ 255	0–100%
4	Groen	000 ⇔ 255	0–100%
5	Blauw	000 ⇔ 255	0–100%
6	Amber	000 ⇔ 255	0–100%

Kanaal	Functie	Waarde	Percentage/Instelling
7	Mintgroen	000 ⇔ 255	0–100%
8	Stroboscoop	000 ⇔ 010 011 ⇔ 255	Geen functie Stroboscoop, langzaam tot snel
9	Virtueel kleurenwiel	000 ⇔ 255	Raadpleeg de sectie Kleurenkaart
10	Kleurtemperatuur	000 ⇔ 255	Raadpleeg de sectie Kleurtemperatuur DMX-kaart
11	Tint	000 ⇔ 000 001 ⇔ 255	0 -25–25
12	Gobo rotator	000 ⇔ 127 128 ⇔ 190 191 ⇔ 192 193 ⇔ 255	Inhoudsopgave Rotatie met de klok mee, snel tot langzaam Stoppen Linksom draaien, langzaam tot snel

8Ch

Kanaal	Functie	Waarde	Percentage/Instelling
1	Dimmer	000 ⇔ 255	0–100%
2	Rood	000 ⇔ 255	0–100%
3	Groen	000 ⇔ 255	0–100%
4	Blauw	000 ⇔ 255	0–100%
5	Amber	000 ⇔ 255	0–100%
6	Mintgroen	000 ⇔ 255	0–100%
7	Stroboscoop	000 ⇔ 010 011 ⇔ 255	Geen functie Stroboscoop, langzaam tot snel
8	Gobo rotator	000 ⇔ 127 128 ⇔ 190 191 ⇔ 192 193 ⇔ 255	Inhoudsopgave Rotatie met de klok mee, snel tot langzaam Stoppen Linksom draaien, langzaam tot snel

6Ch

Kanaal	Functie	Waarde	Percentage/Instelling
1	Rood	000 ⇔ 255	0–100%
2	Groen	000 ⇔ 255	0–100%
3	Blauw	000 ⇔ 255	0–100%
4	Amber	000 ⇔ 255	0–100%
5	Mintgroen	000 ⇔ 255	0–100%
6	Gobo rotator	000 ⇔ 127 128 ⇔ 190 191 ⇔ 192 193 ⇔ 255	Inhoudsopgave Rotatie met de klok mee, snel tot langzaam Stoppen Linksom draaien, langzaam tot snel

5Ch

Kanaal	Functie	Waarde	Percentage/Instelling
1	Dimmer	000 ⇔ 255	0–100%
2	Virtueel kleurenwiel	000 ⇔ 255	Raadpleeg de sectie Kleurenkaart
3	Kleurtemperatuur	000 ⇔ 255	Raadpleeg de sectie Kleurtemperatuur DMX-kaart
4	Tint	000 ⇔ 000 001 ⇔ 255	0 -25–25
5	Gobo rotator	000 ⇔ 127 128 ⇔ 190 191 ⇔ 192 193 ⇔ 255	Inhoudsopgave Rotatie met de klok mee, snel tot langzaam Stoppen Linksom draaien, langzaam tot snel

1Ch

Kanaal	Functie	Waarde	Percentage/Instelling
1	Dimmer	000 ⇔ 255	0–100%

Contact Us

General Information	Technical Support
Chauvet World Headquarters	
Address: 5200 NW 108th Ave. Sunrise, FL 33351 Voice: (954) 577-4455 Fax: (954) 929-5560 Toll Free: (800) 762-1084	Voice: (844) 393-7575 Fax: (954) 756-8015 Email: chauvetcs@chauvetlighting.com Website: www.chauvetprofessional.com
Chauvet Europe Ltd	
Address: Unit 1C Brookhill Road Industrial Estate Pinxton, Nottingham, UK NG16 6NT Voice: +44 (0) 1773 511115 Fax: +44 (0) 1773 511110	Email: UKtech@chauvetlighting.eu Website: www.chauvetprofessional.eu
Chauvet Europe BVBA	
Address: Stokstraat 18 9770 Kruishoutem Belgium Voice: +32 9 388 93 97	Email: BNLtech@chauvetlighting.eu Website: www.chauvetprofessional.eu
Chauvet France	
Address: 3, Rue Ampère 91380 Chilly-Mazarin France Voice: +33 1 78 85 33 59	Email: FRtech@chauvetlighting.fr Website: www.chauvetprofessional.eu
Chauvet Germany	
Address: Bruno-Bürgel-Str. 11 28759 Bremen Germany Voice: +49 421 62 60 20	Email: DEtech@chauvetlighting.de Website: www.chauvetprofessional.eu
Chauvet Mexico	
Address: Av. de las Partidas 34 - 3B (Entrance by Calle 2) Zona Industrial Lerma Lerma, Edo. de México, CP 52000 Voice: +52 (728) 690-2010	Email: servicio@chauvet.com.mx Website: www.chauvetprofessional.mx

Visit the applicable website above to verify our contact information and instructions to request support. Outside the U.S., U.K., Ireland, Benelux, France, Germany, or Mexico, contact the dealer of record.



UL 1573
CSA C22.2 No. 166
E113093

