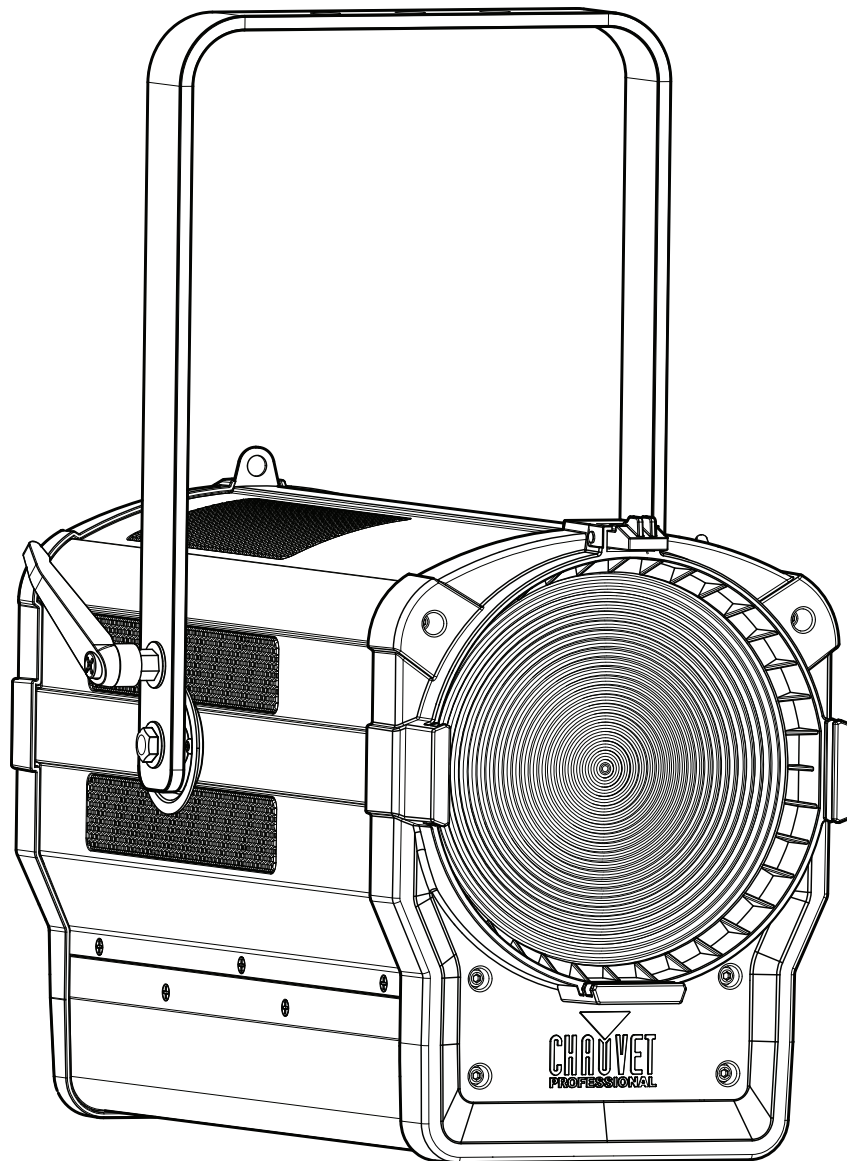


Ovation

F-915VW

Quick Reference Guide

English	EN
Español	ES
Français	FR
Deutsch	DE
Nederlands	NL




CHAUVET
PROFESSIONAL

About This Guide

The Ovation F-915VW Quick Reference Guide (QRG) has basic product information such as connection, mounting, menu options, and DMX values. Download the User Manual from www.chauvetprofessional.com for more details.

Disclaimer

The information and specifications contained in this QRG are subject to change without notice.

LIMITED WARRANTY

FOR WARRANTY REGISTRATION AND COMPLETE TERMS AND CONDITIONS PLEASE VISIT OUR WEBSITE.

For Customers in the United States and Mexico: www.chauvetlighting.com/warranty-registration.

For Customers in the United Kingdom, Republic of Ireland, Belgium, the Netherlands, Luxembourg, France, and Germany: www.chauvetlighting.eu/warranty-registration/.

Chauvet warrants that this product shall be free from defects in material and workmanship under normal use, for the period specified in and subject to the exclusions and limitations set forth in, the full limited warranty on our website. This warranty extends only to the original purchaser of the product and is not transferable. To exercise rights under this warranty, the customer must provide proof of purchase in the form of an original sales receipt from an authorized dealer that shows the product name and date of purchase. THERE ARE NO OTHER EXPRESS OR IMPLIED WARRANTIES. This warranty gives the customer specific legal rights. The customer may also have other rights that vary from state to state and country to country. This warranty is valid only in the United States, United Kingdom, Republic of Ireland, Belgium, the Netherlands, Luxembourg, France, Germany and Mexico. For warranty terms in other countries, please consult a local distributor.

Safety Notes

- DO NOT open this product. It contains no user-serviceable parts.
- DO NOT look at the light source when the product is on.
- DO NOT operate this product outdoors or in any location where dust, excessive heat, water, or humidity may affect it (IP20).
- DO NOT leave any flammable material within 50 cm of this product while operating or connected to power.
- DO NOT operate this product if the housing, lenses, or cables appear damaged.
- DO NOT connect this product to a dimmer or rheostat.
- CAUTION: This product's housing may be hot when lights are operating.
- CAUTION: When transferring product from extreme temperature environments, (e.g., cold truck to warm humid ballroom) condensation may form on the internal electronics of the product. To avoid causing a failure, allow product to fully acclimate to the surrounding environment before connecting it to power.
- USE a safety cable when mounting this product overhead.
- ONLY connect this product to a grounded and protected circuit.
- ONLY use the hanging/mounting bracket to carry this product.
- Mount this product in a location with adequate ventilation, at least 20 in (50 cm) from adjacent surfaces.
- To eliminate unnecessary wear and improve its lifespan, during periods of non-use completely disconnect the product from power via breaker or by unplugging it.
- In the event of a serious operating problem, stop using immediately.
- The maximum ambient temperature is 113 °F (45 °C). Do not operate this product at higher temperatures.

FCC Compliance

This device complies with Part 15 Part B of the FCC Rules. Operation is subject to the following two conditions:

1. This device may not cause harmful interference, and
2. This device must accept any interference received, including interference that may cause undesired operation.

Any changes or modifications not expressly approved by the party responsible for compliance could void the user's authority to operate the equipment.

Contact

Outside the U.S., U.K., Ireland, Benelux, France, Germany, or Mexico, contact a distributor to request support or return a product. Refer to [Contact Us](#) at the end of this QRG for contact information.

What is Included

- Ovation F-915VW
- Neutrik® powerCON® power cord
- Gel frame holder (7.5 in/191 mm accessories)
- Quick Reference Guide

AC Power

This product has an auto-ranging power supply that can work with an input voltage range of 100–240 VAC, 50/60 Hz.

Power Linking

It is possible to link up to 7 Ovation F-915VW products at 120 VAC, 13 products at 208 V, or 14 products at 230 VAC. Never exceed this number. Power-linking cords can be purchased separately.

AC Plug

Connection	Wire (U.S.)	Wire (Europe)	Screw Color
AC Live	Black	Brown	Yellow/Brass
AC Neutral	White	Blue	Silver
AC Ground	Green/Yellow	Green/Yellow	Green



To eliminate unnecessary wear and improve its lifespan, during periods of non-use completely disconnect the product from power via breaker or by unplugging it.

Replacing the Fuse

1. Disconnect this product from power.
2. Using a Phillips #2 head screwdriver, unscrew the fuse holder cap from the housing.
3. Remove blown fuse and replace with a good fuse of the same type and rating.
4. Screw the fuse holder cap back in place and reconnect power.

DMX Linking

The Ovation F-915VW will work with a DMX controller using a 3- or 5-pin DMX serial connection. A DMX Primer is available from www.chauvetprofessional.com.

DMX Connection

The Ovation F-915VW uses a 3- or 5-pin DMX data connection for its DMX personalities: **1Ch, 4Ch, 6Ch, 7Ch, 9Ch, 13Ch, 16Ch, and 19Ch**. See the User Manual for information about connecting and configuring the product for DMX operation.

Master/Slave Connection

The Ovation F-915VW uses the DMX data connection for its master/slave mode. See the User Manual for information about how to connect and configure the product for master/slave operation.

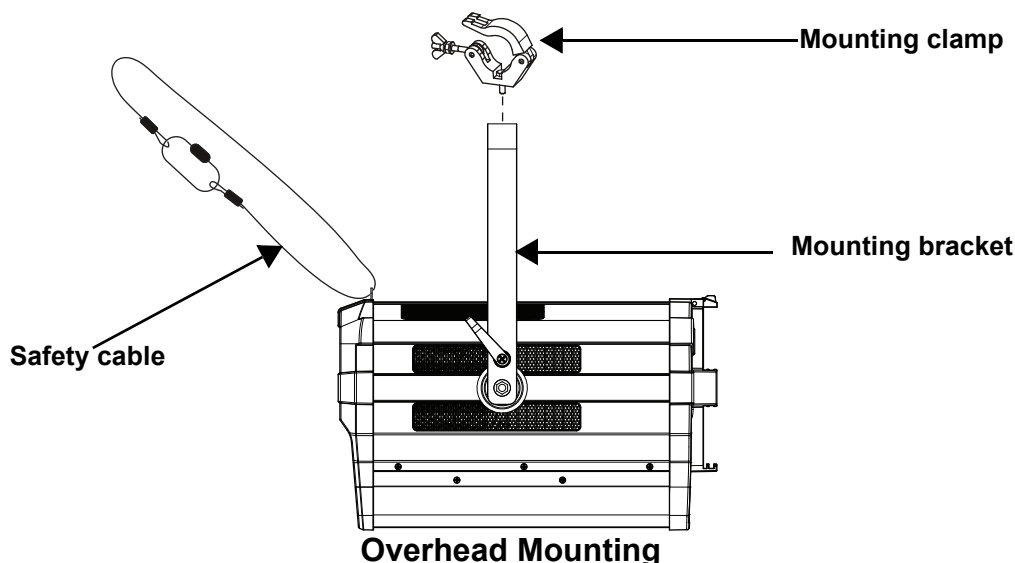
RDM (Remote Device Management)

Remote Device Management, or RDM, is a standard for allowing DMX-enabled devices to communicate bi-directionally along existing DMX cabling. Check with the manufacturer or the DMX controller's User Manual, as not all DMX controllers have this capability. The Ovation F-915VW supports RDM protocol that allows feedback to make changes to menu map options. Download the User Manual from www.chauvetprofessional.com for more details.

Mounting

Before mounting this product, read the [Safety Notes](#). Use at least one mounting point per product. Make sure the mounting clamps can support the weight of the product. For the Chauvet line of mounting clamps, go to: <http://trusst.com/productcategory/truss-clamps/>.

Product Mounting Diagram



Color Temperature DMX Chart

DMX Channel Value	Color Temperature	DMX Channel Value	Color Temperature	DMX Channel Value	Color Temperature
000 ⇔ 005	No function	084 ⇔ 090	3900–4000K	168 ⇔ 174	5100–5200K
006 ⇔ 013	2800–2900K	091 ⇔ 097	4000–4100K	175 ⇔ 181	5200–5300K
014 ⇔ 020	2900–3000K	098 ⇔ 104	4100–4200K	182 ⇔ 188	5300–5400K
021 ⇔ 027	3000–3100K	105 ⇔ 111	4200–4300K	189 ⇔ 195	5400–5500K
028 ⇔ 034	3100–3200K	112 ⇔ 118	4300–4400K	196 ⇔ 202	5500–5600K
035 ⇔ 041	3200–3300K	119 ⇔ 125	4400–4500K	203 ⇔ 209	5600–5700K
042 ⇔ 048	3300–3400K	126 ⇔ 132	4500–4600K	210 ⇔ 216	5700–6000K
049 ⇔ 055	3400–3500K	133 ⇔ 139	4600–4700K	217 ⇔ 223	6000–6500K
056 ⇔ 062	3500–3600K	140 ⇔ 146	4700–4800K	224 ⇔ 230	6500–7000K
063 ⇔ 069	3600–3700K	147 ⇔ 153	4800–4900K	231 ⇔ 237	7000–7500K
070 ⇔ 076	3700–3800K	154 ⇔ 160	4900–5000K	238 ⇔ 244	7500–8000K
077 ⇔ 083	3800–3900K	161 ⇔ 167	5000–5100K	245 ⇔ 255	8000K



The color temperatures above are simulated renditions of the color output produced compared with a tungsten lamp at the specified color temperature. Chauvet makes no guarantee of the color output accuracy.

Control Panel Description

Button	Function
<MENU>	Exits from the current menu or function
<ENTER>	Enables the currently displayed menu or sets the currently selected value into the selected function
<UP>	Navigates upwards through the menu list or increases the numeric value when in a function
<DOWN>	Navigates downwards through the menu list or decreases the numeric value when in a function
<KNOB1>	Push twice, then turn to select the color temperature. Push again then turn to set the hue
<KNOB2>	Push twice, then turn to increase or decrease the dimmer
<KNOB3>	Push twice, then turn to increase or decrease the zoom

Menu Map

Main Level	Programming Levels	Description
DMX Address	001–512*	Selects DMX address (*highest channel restricted to personality chosen)
	1Ch	1-channel: dimmer
DMX Channel	4Ch	4-channel: dimmer, color temperature, hue, zoom
	6Ch	6-channel: 16-bit dimmer, color temperature, hue, zoom, strobe
	7Ch	7-channel: red, orange, green, royal blue, blue, lime, zoom
	9Ch	9-channel: red, orange, green, royal blue, blue, lime, strobe, zoom
	13Ch	13-channel: dimmer, red, orange, green, royal blue, blue, lime, strobe, color temperature, hue, control, zoom, motor reset
	16Ch	16-channel: 16-bit dimmer, 16-bit red, orange, green, royal blue, blue, and lime, strobe, zoom
	19Ch	19-channel: 16-bit dimmer, 16-bit red, orange, green, royal blue, blue, and lime, strobe, color temperature, hue, zoom, control

Main Level	Programming Levels			Description	
Static	Color Temperature	2800K 2900K 3000K 3100K 3200K 3300K 3400K 3500K 3600K 3700K 3800K 3900K 4000K 4100K 4200K	Dimmer	0–255	Sets the color temperature, dimmer, and hue (green/magenta) levels. Emulates a tungsten lamp at the specified color temperature. Refer to the Color Temperature DMX Chart for specific values.
		4300K 4400K 4500K 4600K 4700K 4800K 4900K 5000K 5100K 5200K 5300K 5400K 5500K 5600K 5700K 6000K 6500K 7000K 7500K 8000K	Hue	-25–25	
	Manual Color Mixer	Red Orange Green Royal Blue Blue Lime		0–255	Combines red, orange, green, royal blue, blue, and lime to make a custom color (0–100%)
Zoom		0–255			Controls zoom
Red Shift		On			Mimics halogen lamp dimming
		Off			
Master/ Slave		Master			Receives DMX signal from the DMX controller (master)
		Slave			Receives DMX signal from the master unit
Dimmer Curve		S-Curve Linear Square Inverse Square			Sets the dimmer curve
Dimmer Mode		Off			Linear dimmer
		Dimmer 1–3			Dimming curves, from fast (Dimmer 1) to slow (Dimmer 3)

Main Level	Programming Levels		Description
White Balance	Manual	Off	Uses factory default white setting
		Red	Sets red LED maximum value
		Orange	Sets orange LED maximum value
		Green	Sets green LED maximum value
		Royal Blue	Sets royal blue LED maximum value
		Blue	Sets blue LED maximum value
		Lime	Sets lime LED maximum value
LED Frequency	600Hz 1200Hz 2000Hz 4000Hz 6000Hz 25KHz	125-255	Sets the PWM output frequency
Fan Mode	Auto		Sets the fan to auto mode
	On		Sets the fan to always on
	Off		Sets the fan to always off
	Silent		Sets the fan to silent
Back Light	10S		Turns off display backlight after 10 seconds of inactivity
	30S		Turns off display backlight after 30 seconds of inactivity
	2Min		Turns off display backlight after 2 minutes of inactivity
	Always On		Display backlight always on
Information	Fixture Hours	----H	Shows total hours the product has been powered on
	LED Hours	----H	Shows total LED hours
	Version	V_._	Shows current firmware version
	UID	-----	Shows product UID
Reset Zoom w/ Power	No		Resets the zoom to default when power is turned on
	Yes		
Factory Reset	No		Resets the product to factory default settings
	Yes		



WARNING: When operating in Fan Mode: Off, the fixture will become hotter to the touch than when using other fan modes. Use proper protective equipment to prevent burns. Keep a safe distance from flammable objects.



NOTICE: When operating in Fan Mode: Off, output of the fixture will be reduced and will not reach the same levels as when using other fan modes.

DMX Values

19Ch

Channel	Function	Value	Percent/Setting
1	Dimmer	000 ⇄ 255	0–100%
2	Dimmer fine	000 ⇄ 255	0–100%
3	Red	000 ⇄ 255	0–100%
4	Red fine	000 ⇄ 255	0–100%
5	Orange	000 ⇄ 255	0–100%
6	Orange fine	000 ⇄ 255	0–100%
7	Green	000 ⇄ 255	0–100%
8	Green fine	000 ⇄ 255	0–100%
9	Royal blue	000 ⇄ 255	0–100%
10	Royal blue fine	000 ⇄ 255	0–100%
11	Blue	000 ⇄ 255	0–100%
12	Blue fine	000 ⇄ 255	0–100%
13	Lime	000 ⇄ 255	0–100%
14	Lime fine	000 ⇄ 255	0–100%
15	Strobe	000 ⇄ 010	No function
		011 ⇄ 255	Strobe, slow to fast
16	Color temperature	000 ⇄ 255	Refer to Color Temperature DMX Chart
17	Hue	000 ⇄ 255	-25–25
18	Zoom	000 ⇄ 255	Narrow to wide
19	Control (Hold for 3 seconds, then release)	000 ⇄ 007	No function
		008 ⇄ 015	Dimmer reset
		016 ⇄ 023	Red shift on
		024 ⇄ 031	Red shift off
		032 ⇄ 039	Dimmer: S-Curve
		040 ⇄ 047	Dimmer: linear
		048 ⇄ 055	Dimmer: square
		056 ⇄ 063	Dimmer: inverse square
		064 ⇄ 071	Dimmer speed mode off
		072 ⇄ 079	Dimmer speed mode 1
		080 ⇄ 087	Dimmer speed mode 2
		088 ⇄ 095	Dimmer speed mode 3
		096 ⇄ 103	Fan auto
		104 ⇄ 111	Fan on
		112 ⇄ 119	Fan off
120 ⇄ 127	Fan silent		
128 ⇄ 255	No function (reserved)		

EN

16Ch

Channel	Function	Value	Percent/Setting
1	Dimmer	000 ⇔ 255	0–100%
2	Dimmer fine	000 ⇔ 255	0–100%
3	Red	000 ⇔ 255	0–100%
4	Red fine	000 ⇔ 255	0–100%
5	Orange	000 ⇔ 255	0–100%
6	Orange fine	000 ⇔ 255	0–100%
7	Green	000 ⇔ 255	0–100%
8	Green fine	000 ⇔ 255	0–100%
9	Royal blue	000 ⇔ 255	0–100%
10	Royal blue fine	000 ⇔ 255	0–100%
11	Blue	000 ⇔ 255	0–100%
12	Blue fine	000 ⇔ 255	0–100%
13	Lime	000 ⇔ 255	0–100%
14	Lime fine	000 ⇔ 255	0–100%
15	Strobe	000 ⇔ 010	No function
		011 ⇔ 255	Strobe, slow to fast
16	Zoom	000 ⇔ 255	Narrow to wide

13Ch

Channel	Function	Value	Percent/Setting
1	Dimmer	000 ⇔ 255	0–100%
2	Red	000 ⇔ 255	0–100%
3	Orange	000 ⇔ 255	0–100%
4	Green	000 ⇔ 255	0–100%
5	Royal blue	000 ⇔ 255	0–100%
6	Blue	000 ⇔ 255	0–100%
7	Lime	000 ⇔ 255	0–100%
8	Strobe	000 ⇔ 010	No function
		011 ⇔ 255	Strobe, slow to fast
9	Color temperature	000 ⇔ 255	Refer to Color Temperature DMX Chart
10	Hue	000 ⇔ 255	-25–25
11	Control (Hold for 3 seconds, then release)	000 ⇔ 007	No function
		008 ⇔ 015	Dimmer reset
		016 ⇔ 023	Red shift on
		024 ⇔ 031	Red shift off
		032 ⇔ 039	Dimmer: S-Curve
		040 ⇔ 047	Dimmer: linear
		048 ⇔ 055	Dimmer: square
		056 ⇔ 063	Dimmer: inverse square
		064 ⇔ 071	Dimmer speed mode off
		072 ⇔ 079	Dimmer speed mode 1
		080 ⇔ 087	Dimmer speed mode 2
		088 ⇔ 095	Dimmer speed mode 3
		096 ⇔ 103	Fan auto
		104 ⇔ 111	Fan on
112 ⇔ 119	Fan off		
120 ⇔ 127	Fan silent		
128 ⇔ 255	No function (reserved)		
12	Zoom	000 ⇔ 255	Narrow to wide
13	Motor reset	000 ⇔ 200	No function
		201 ⇔ 220	Motor reset
		221 ⇔ 255	No function

9Ch

Channel	Function	Value	Percent/Setting
1	Dimmer	000 ⇔ 255	0–100%
2	Red	000 ⇔ 255	0–100%
3	Orange	000 ⇔ 255	0–100%
4	Green	000 ⇔ 255	0–100%
5	Royal blue	000 ⇔ 255	0–100%
6	Blue	000 ⇔ 255	0–100%
7	Lime	000 ⇔ 255	0–100%
8	Strobe	000 ⇔ 010 011 ⇔ 255	No function Strobe, slow to fast
9	Zoom	000 ⇔ 255	Narrow to wide

6Ch

Channel	Function	Value	Percent/Setting
1	Dimmer	000 ⇔ 255	0–100%
2	Dimmer fine	000 ⇔ 255	0–100%
3	Color temperature	000 ⇔ 255	Refer to Color Temperature DMX Chart
4	Hue	000 ⇔ 255	-25–25
5	Zoom	000 ⇔ 255	Narrow to wide
6	Strobe	000 ⇔ 010 011 ⇔ 255	No function Strobe, slow to fast

7Ch

Channel	Function	Value	Percent/Setting
1	Red	000 ⇔ 255	0–100%
2	Orange	000 ⇔ 255	0–100%
3	Green	000 ⇔ 255	0–100%
4	Royal blue	000 ⇔ 255	0–100%
5	Blue	000 ⇔ 255	0–100%
6	Lime	000 ⇔ 255	0–100%
7	Zoom	000 ⇔ 255	Narrow to wide

3Ch

Channel	Function	Value	Percent/Setting
1	Dimmer	000 ⇔ 255	0–100%
2	Color temperature	000 ⇔ 255	Refer to Color Temperature DMX Chart
3	Hue	000 ⇔ 255	-25–25
4	Zoom	000 ⇔ 255	Narrow to wide

1Ch

Channel	Function	Value	Percent/Setting
1	Dimmer	000 ⇔ 255	0–100% (color set through menu)

Acerca de Esta Guía

La Guía de Referencia Rápida (GRR) del Ovation F-915VW contiene información básica sobre el producto, como montaje, opciones de menú y valores DMX. Descargue el Manual de Usuario de www.chauvetprofessional.com para información más detallada.

Exención de Responsabilidad

La información y especificaciones contenidas en esta GRR están sujetas a cambio sin previo aviso.

GARANTÍA LIMITADA

PARA VER EL REGISTRO DE GARANTÍA Y LOS TÉRMINOS Y CONDICIONES COMPLETOS, VISITE NUESTRO SITIO WEB.

Para clientes en los Estados Unidos y México: www.chauvetlighting.com/warranty-registration.

Para clientes en Reino Unido, República de Irlanda, Bélgica, Países Bajos, Luxemburgo, Francia y Alemania: www.chauvetlighting.eu/warranty-registration/.

Chauvet garantiza que este producto estará libre de defectos de material y mano de obra en condiciones de uso normales, durante el periodo especificado, sujeto siempre a las exclusiones y limitaciones establecidas en la garantía limitada completa de nuestro sitio web. Esta garantía se concede únicamente al comprador original del producto y no es transferible. Para ejercer los derechos que otorga esta garantía, usted debe proporcionar una prueba de compra en forma de un recibo de compra original, expedido por un distribuidor autorizado, donde figure el nombre del producto y la fecha de compra. **NO EXISTEN OTRAS GARANTÍAS EXPRESAS NI IMPLÍCITAS.** Esta garantía le otorga derechos legales específicos. Es posible que a usted le asistan otros derechos, que variarán dependiendo del estado o del país. Esta garantía solamente es válida en los Estados Unidos, Reino Unido, República de Irlanda, Bélgica, Países Bajos, Luxemburgo, Francia, Alemania y México. Para conocer los términos de garantía en otros países, consulte a su distribuidor local.

Notas de Seguridad

- NO abra este producto. No contiene piezas reparables por el usuario.
- NO mire a la fuente de luz cuando el producto esté encendido.
- NO ponga en funcionamiento este producto en el exterior o en cualquier ubicación en la que el polvo, calor excesivo, agua o humedad puedan afectarlo (IP20).
- NO deje ningún material inflamable a menos de 50 cm de este producto mientras esté funcionando o conectado a la alimentación.
- NO ponga en funcionamiento este producto si sospecha que la carcasa, lentes o cables están dañados.
- NO conecte este producto a un atenuador o reostato.
- CUIDADO: La carcasa de este producto está caliente cuando las luces están en funcionamiento.
- CUIDADO: Cuando transfiera el producto desde ambientes con temperatura extrema (p. ej., del remolque frío de un camión a una sala de baile con calor y humedad), puede formarse condensación en la electrónica interna del producto. Para evitar que se produzca una avería, deje que el producto se aclimate completamente al ambiente antes de conectar la alimentación.
- USE un cable de seguridad cuando monte este producto en lo alto.
- Conecte este producto SOLO a un circuito con toma de tierra y protegido.
- Use SOLAMENTE los soportes de colgar/montar para mover este producto.
- Monte este producto en una ubicación con ventilación adecuada, al menos a 20" (50 cm) de superficies adyacentes.
- Para evitar un desgaste innecesario y alargar su vida útil, desconecte completamente el producto de la alimentación, mediante el interruptor o desenchufándolo, durante los periodos en los que no se use.
- En caso de un problema grave de funcionamiento, deje de usarlo inmediatamente.
- La máxima temperatura ambiente es de 113 °F (45 °C). No haga funcionar este producto a temperaturas más altas.

Cumplimiento de la FCC

Este dispositivo cumple la parte 15, parte B de las normas FCC. El funcionamiento está supeditado al cumplimiento de estas dos condiciones:

1. Este dispositivo no puede causar interferencias perjudiciales; y
2. Este dispositivo debe aceptar cualquier interferencia recibida, incluyendo las interferencias que puedan causar un funcionamiento no deseado.

Cualquier cambio o modificación que no haya sido expresamente autorizado por la parte responsable de conformidad puede anular la potestad del usuario para hacer funcionar el equipo.

Contacto

Fuera de EE. UU., Reino Unido, Irlanda, Benelux, Francia, Alemania o México, póngase en contacto con su distribuidor para solicitar asistencia o devolver el producto. Visite [Contact Us](#) para información de contacto.

Qué va Incluido

- Ovation F-915VW
- Cable de alimentación Neutrik® powerCON®
- Marco de gel (Accesorios de 191 mm/7,5 in)
- Guía de Referencia Rápida

Corriente Alterna

Este producto tiene una fuente de alimentación con detección automática que puede funcionar con un rango de tensión de entrada de 100 a 240 VCA, 50/60 Hz.

Alimentación en Cadena

Puede enlazar hasta 7 productos Ovation F-915VW a 120 V, 13 productos a 208 V o 14 productos a 230 V. Nunca sobrepase este número. Los cables de alimentación en cadena se pueden adquirir por separado.

Enchufe CA

Conexión	Cable (EE.UU.)	Cable (Europa)	Color del tornillo
CA Cargado	Negro	Marrón	Amarillo/Latón
CA Neutro	Blanco	Azul	Plata
CA Tierra	Verde/Amarillo	Verde/Amarillo	Verde



Para evitar un desgaste innecesario y alargar su vida útil, desconecte complemente el producto de la alimentación, mediante el interruptor o desenchufándolo, durante los periodos en los que no se use.

Sustitución del Fusible

1. Desconecte el producto de la toma de corriente.
2. Con un destornillador de estrella N°2, desatornille la tapa del portafusibles.
3. Quite el fusible fundido del portafusibles y sustitúyalo con otro del mismo tipo y categoría.
4. Vuelva a atornillar la tapa del portafusibles en su sitio y conecte de nuevo la alimentación.

Enlace DMX

El Ovation F-915VW funcionará con un controlador DMX usando una conexión serial DMX de 3 y 5 pines. Hay un manual DMX disponible en www.chauvetprofessional.com.

Conexión DMX

El Ovation F-915VW usa una conexión de datos DMX de 3 y 5 pines para sus personalidades: **1Ch, 4Ch, 6Ch, 7Ch, 9Ch, 13Ch, 16Ch y 19Ch**. Vea el Manual de Usuario para conectar y configurar para funcionamiento DMX.

Conexión Maestro/Esclavo

El Ovation F-915VW usa la conexión de datos DMX para su modo Maestro/Esclavo. Vea el Manual de Usuario para conectar y configurar para funcionamiento Maestro/Esclavo.

RDM (gestión remota del dispositivo)

Remote Device Management (gestión remota del dispositivo) o RDM, es un estándar que permite a los dispositivos con capacidad DMX una comunicación bidireccional por un cableado DMX existente. El Ovation F-915VW admite protocolo RDM, que posibilita información para supervisar cambiar las opciones del mapa de menú. Descargue el manual de usuario de www.chauvetprofessional.com para una información más detallada.

Montaje

Antes de montar este producto, lea las [Notas de Seguridad](#). Asegúrese de que las abrazaderas de montaje son capaces de soportar el peso del producto. Para nuestra línea Chauvet de abrazaderas de montaje, visite: <http://trusst.com/productcategory/truss-clamps/>.

Diagrama de Montaje del Producto

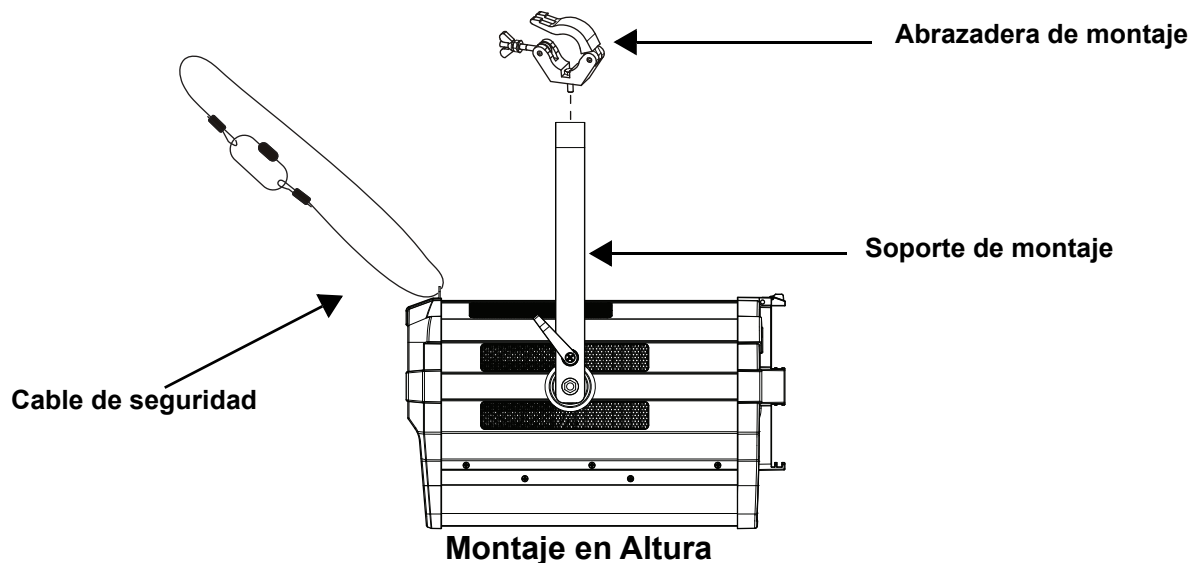


Gráfico DMX de temperaturas de color

Valor del Canal DMX	Temperatura de color	Valor del Canal DMX	Temperatura de color	Valor del Canal DMX	Temperatura de color
000 ⇔ 005	Sin función	084 ⇔ 090	3900–4000K	168 ⇔ 174	5100–5200K
006 ⇔ 013	2800–2900K	091 ⇔ 097	4000–4100K	175 ⇔ 181	5200–5300K
014 ⇔ 020	2900–3000K	098 ⇔ 104	4100–4200K	182 ⇔ 188	5300–5400K
021 ⇔ 027	3000–3100K	105 ⇔ 111	4200–4300K	189 ⇔ 195	5400–5500K
028 ⇔ 034	3100–3200K	112 ⇔ 118	4300–4400K	196 ⇔ 202	5500–5600K
035 ⇔ 041	3200–3300K	119 ⇔ 125	4400–4500K	203 ⇔ 209	5600–5700K
042 ⇔ 048	3300–3400K	126 ⇔ 132	4500–4600K	210 ⇔ 216	5700–6000K
049 ⇔ 055	3400–3500K	133 ⇔ 139	4600–4700K	217 ⇔ 223	6000–6500K
056 ⇔ 062	3500–3600K	140 ⇔ 146	4700–4800K	224 ⇔ 230	6500–7000K
063 ⇔ 069	3600–3700K	147 ⇔ 153	4800–4900K	231 ⇔ 237	7000–7500K
070 ⇔ 076	3700–3800K	154 ⇔ 160	4900–5000K	238 ⇔ 244	7500–8000K
077 ⇔ 083	3800–3900K	161 ⇔ 167	5000–5100K	245 ⇔ 255	8000K



Las temperaturas de color que aparecen arriba son interpretaciones simuladas de la emisión de color producida cuando se compara con una lámpara de tungsteno a la temperatura de color especificada. Chauvet no garantiza la exactitud del color emitido.

Descripción del Panel de Control

Botón	Función
<MENU>	Salir del menú o función actual
<ENTER>	Habilita el menú actualmente en pantalla o configura el valor seleccionado actualmente dentro de la función seleccionada
<UP>	Navega hacia arriba por la lista de menú o aumenta el valor numérico cuando está en una función
<DOWN>	Navega hacia abajo por la lista de menú o disminuye el valor numérico cuando está en una función
<KNOB1>	Empuje una vez y después gire para seleccionar la temperatura de color. Empuje de nuevo y después gire para seleccionar el matiz.
<KNOB2>	Empuje y después gire para aumentar o reducir el atenuador
<KNOB3>	Empuje y después gire para aumentar o reducir el zoom

Mapa de Menú

Nivel Principal	Niveles de Programación	Descripción
DMX Address	001–512*	Selecciona la dirección de inicio (*canal más alto restringido a la elección de personalidad)
DMX Channel	1Ch	1 canal: atenuador
	4Ch	4 canales: atenuador, temperatura de color, matiz, zoom
	6Ch	6 canales: 16 bits atenuador, temperatura de color, matiz, zoom, estroboscopio
	7Ch	7 canales: rojo, naranja, verde, azul real, azul, lima, zoom
	9Ch	9 canales: atenuador, rojo, naranja, verde, azul real, azul, lima, estroboscopio, zoom
	13Ch	13 canales: atenuador, rojo, naranja, verde, azul real, azul, lima, estroboscopio, temperatura de color, matiz, control, zoom, reinicio del motor
	16Ch	16 canales: 16 bits atenuador, 16 bits rojo, naranja, verde, azul real, azul y lima, estroboscopio, zoom
19Ch	19 canales: 16-bits atenuador, 16 bits rojo, naranja, verde, azul real, azul y lima, estroboscopio, temperatura de color, matiz, zoom, control	

Nivel Principal	Niveles de Programación			Descripción	
Static	Color Temperature	2800K 2900K 3000K 3100K 3200K 3300K 3400K 3500K 3600K 3700K 3800K 3900K 4000K 4100K 4200K	Dimmer	0–255	Establece la temperatura de color y niveles atenuador y matiz (verde/magenta). Emula una lámpara de tungsteno a la temperatura del color especificada. Consulte el apartado Gráfico DMX de temperaturas de color para ver valores concretos.
		4300K 4400K 4500K 4600K 4700K 4800K 4900K 5000K 5100K 5200K 5300K 5400K 5500K 5600K 5700K 6000K 6500K 7000K 7500K 8000K	Hue	-25–25	
	Manual Color Mixer	Red Orange Green Royal Blue Blue Lime		0–255	Combina rojo, naranja, verde, azul real, azul y lime para generar un color personalizado (0–100%)
Zoom		0–255			Controla el zoom
Red Shift		On			Imita la atenuación de una lámpara halógena
		Off			
Master/ Slave		Master			Recibe señales DMX del controlador DMX (maestro)
		Slave			Recibe señales del maestro
Dimmer Curve		S-Curve Linear Square Inverse Square			Configura la curva del atenuador
Dimmer Mode		Off			Atenuador lineal
		Dimmer 1–3			Curvas de atenuador, rápido (Dimmer 1) a lento (Dimmer 3)

Nivel Principal	Niveles de Programación		Descripción	
White Balance	Off		Utiliza la configuración de blanco predeterminada de fábrica	
	Manual	Red	125–255	Establece el valor máximo de LED rojo
		Orange		Establece el valor máximo de LED naranja
		Green		Establece el valor máximo de LED verde
		Royal Blue		Establece el valor máximo de LED azul real
		Blue		Establece el valor máximo de LED azul
		Lime		Establece el valor máximo de LED lima
LED Frequency	600Hz 1200Hz 2000Hz 4000Hz 6000Hz 25KHz		Selecciona la frecuencia de emisión PWM	
Fan Mode	Auto		Establece el ventilador a modo auto	
	On		Establece el ventilador a modo siempre encendido	
	Off		Establece el ventilador siempre apagado	
	Silent		Establece el ventilador en silencio	
Back Light	10S		Retro-iluminación de la pantalla se apaga después de 10 segundos de inactividad	
	30S		Retro-iluminación de la pantalla se apaga después de 30 segundos de inactividad	
	2Min		Retro-iluminación de la pantalla se apaga después de 2 minutos de inactividad	
	Always On		Retro-iluminación de la pantalla siempre activa	
Information	Fixture Hours	---H	Muestra el nombre total de las horas del producto	
	LED Hours	---H	Muestra el total de horas de LED	
	Version	V_._	Muestra instalada la versión de firmware	
	UID	-----	Muestra el UID # del producto	
Reset Zoom w/ Power	No		Restablece el zoom a los valores predeterminados cuando se enciende	
	Yes			
Factory Reset	No		Reinicia a la configuración de fábrica	
	Yes			



ADVERTENCIA: Cuando funcione en modo ventilador: apagado, el aparato estará más caliente al tacto que si se usan otros modos de ventilador. Utilice un equipo de protección adecuado para evitar quemaduras. Mantenga una distancia de seguridad con objetos inflamable.



AVISO: Cuando funcione en modo ventilador: apagado, bajará el rendimiento del aparato y no alcanzará los mismos niveles que cuando use otros modos de ventilador.

DMX Values
19Ch

Canal	Función	Valor	Porcentaje/Configuración
1	Atenuador	000 ⇔ 255	0–100%
2	Atenuador fino	000 ⇔ 255	0–100%
3	Rojo	000 ⇔ 255	0–100%
4	Rojo fino	000 ⇔ 255	0–100%
5	Naranja	000 ⇔ 255	0–100%
6	Naranja fino	000 ⇔ 255	0–100%
7	Verde	000 ⇔ 255	0–100%
8	Verde fino	000 ⇔ 255	0–100%
9	Azul real	000 ⇔ 255	0–100%
10	Azul real fino	000 ⇔ 255	0–100%
11	Azul	000 ⇔ 255	0–100%
12	Azul fino	000 ⇔ 255	0–100%
13	Lima	000 ⇔ 255	0–100%
14	Lima fino	000 ⇔ 255	0–100%
15	Estroboscopio	000 ⇔ 010 011 ⇔ 255	Sin función Estroboscopio, lento a rápido
16	Temperatura de color	000 ⇔ 255	Referirse a Gráfico DMX de temperaturas de color
17	Matiz	000 ⇔ 255	-25–25
18	Zoom	000 ⇔ 255	Estrecho a ancho
19	Control (mantenga por 3 segundos, luego suelte)	000 ⇔ 007 008 ⇔ 015 016 ⇔ 023 024 ⇔ 031 032 ⇔ 039 040 ⇔ 047 048 ⇔ 055 056 ⇔ 063 064 ⇔ 071 072 ⇔ 079 080 ⇔ 087 088 ⇔ 095 096 ⇔ 103 104 ⇔ 111 112 ⇔ 119 120 ⇔ 127 128 ⇔ 255	Sin función Reinicia a el atenuador Cambio de rojo: encendido Cambio de rojo: apagado Curva de atenuador curva-S Curva de atenuador lineal Curva de atenuador cuadrado Curva de atenuador cuadrado inverso Modo atenuador apagado Modo atenuador 1 Modo atenuador 2 Modo atenuador 3 Establece el ventilador a modo auto Establece el ventilador a modo siempre encendido Establece el ventilador siempre apagado Establece el ventilador en silencio Sin función (reservado)

ES

16Ch

Canal	Función	Valor	Porcentaje/Configuración
1	Atenuador	000 ⇔ 255	0–100%
2	Atenuador fino	000 ⇔ 255	0–100%
3	Rojo	000 ⇔ 255	0–100%
4	Rojo fino	000 ⇔ 255	0–100%
5	Naranja	000 ⇔ 255	0–100%
6	Naranja fino	000 ⇔ 255	0–100%
7	Verde	000 ⇔ 255	0–100%
8	Verde fino	000 ⇔ 255	0–100%
9	Azul real	000 ⇔ 255	0–100%
10	Azul real fino	000 ⇔ 255	0–100%
11	Azul	000 ⇔ 255	0–100%
12	Azul fino	000 ⇔ 255	0–100%
13	Lima	000 ⇔ 255	0–100%
14	Lima fino	000 ⇔ 255	0–100%
15	Estroboscopio	000 ⇔ 010 011 ⇔ 255	Sin función Estroboscopio, lento a rápido
16	Zoom	000 ⇔ 255	Estrecho a ancho

13Ch

Canal	Función	Valor	Porcentaje/Configuración
1	Atenuador	000 ⇔ 255	0–100%
2	Rojo	000 ⇔ 255	0–100%
3	Naranja	000 ⇔ 255	0–100%
4	Verde	000 ⇔ 255	0–100%
5	Azul real	000 ⇔ 255	0–100%
6	Azul	000 ⇔ 255	0–100%
7	Lima	000 ⇔ 255	0–100%
8	Estroboscopio	000 ⇔ 010 011 ⇔ 255	Sin función Estroboscopio, lento a rápido
9	Temperatura de color	000 ⇔ 255	Referirse a Gráfico DMX de temperaturas de color
10	Matiz	000 ⇔ 255	-25–25
11	Control (mantenga por 3 segundos, luego suelte)	000 ⇔ 007	Sin función
		008 ⇔ 015	Reinicia a el atenuador
		016 ⇔ 023	Cambio de rojo: encendido
		024 ⇔ 031	Cambio de rojo: apagado
		032 ⇔ 039	Curva de atenuador curva-S
		040 ⇔ 047	Curva de atenuador lineal
		048 ⇔ 055	Curva de atenuador cuadrado
		056 ⇔ 063	Curva de atenuador cuadrado inverso
		064 ⇔ 071	Modo atenuador apagado
		072 ⇔ 079	Modo atenuador 1
		080 ⇔ 087	Modo atenuador 2
		088 ⇔ 095	Modo atenuador 3
		096 ⇔ 103	Establece el ventilador a modo auto
		104 ⇔ 111	Establece el ventilador a modo siempre encendido
112 ⇔ 119	Establece el ventilador siempre apagado		
120 ⇔ 127	Establece el ventilador en silencio		
128 ⇔ 255	Sin función (reservado)		
12	Zoom	000 ⇔ 255	Estrecho a ancho
13	Reinicio del motor	000 ⇔ 200	Sin función
		201 ⇔ 220	Reinicio del motor
		221 ⇔ 255	Sin función

9Ch

Canal	Función	Valor	Porcentaje/Configuración
1	Atenuador	000 ⇔ 255	0–100%
2	Rojo	000 ⇔ 255	0–100%
3	Naranja	000 ⇔ 255	0–100%
4	Verde	000 ⇔ 255	0–100%
5	Azul real	000 ⇔ 255	0–100%
6	Azul	000 ⇔ 255	0–100%
7	Lima	000 ⇔ 255	0–100%
8	Estroboscopio	000 ⇔ 010 011 ⇔ 255	Sin función Estroboscopio, lento a rápido
9	Zoom	000 ⇔ 255	Estrecho a ancho

6Ch

Canal	Función	Valor	Porcentaje/Configuración
1	Rojo	000 ⇔ 255	0–100%
2	Naranja	000 ⇔ 255	0–100%
3	Temperatura de color	000 ⇔ 255	Referirse a Gráfico DMX de temperaturas de color
4	Matiz	000 ⇔ 255	-25–25
5	Zoom	000 ⇔ 255	Estrecho a ancho
6	Estroboscopio	000 ⇔ 010 011 ⇔ 255	Sin función Estroboscopio, lento a rápido

7Ch

Canal	Función	Valor	Porcentaje/Configuración
1	Rojo	000 ⇔ 255	0–100%
2	Naranja	000 ⇔ 255	0–100%
3	Verde	000 ⇔ 255	0–100%
4	Azul real	000 ⇔ 255	0–100%
5	Azul	000 ⇔ 255	0–100%
6	Lima	000 ⇔ 255	0–100%
7	Zoom	000 ⇔ 255	Estrecho a ancho

4Ch

Canal	Función	Valor	Porcentaje/Configuración
1	Atenuador	000 ⇔ 255	0–100%
2	Temperatura del color	000 ⇔ 255	Referirse a Gráfico DMX de temperaturas de color
3	Matiz	000 ⇔ 255	-25–25
4	Zoom	000 ⇔ 255	Estrecho a ancho

1Ch

Canal	Función	Valor	Porcentaje/Configuración
1	Atenuador	000 ⇔ 255	0–100% (configura el color desde la pantalla de menú)

À Propos de ce Manuel

Le Manuel de Référence du Ovation F-915VW (MR) reprend des informations de base sur cet appareil notamment en matière de connexions, montage, options de menu et valeurs DMX. Télécharger le Manuel d'Utilisation sur www.chauvetprofessional.com pour de plus amples informations.

Clause de Non-Responsabilité

Les informations et caractéristiques contenues dans ce manuel sont sujettes à changement sans préavis.

GARANTIE LIMITÉE

VEUILLEZ VISITER NOTRE SITE INTERNET POUR CONSULTER LES MODALITÉS D'ENREGISTREMENT DE LA GARANTIE ET LES CONDITIONS GÉNÉRALES COMPLÈTES.

Pour les clients aux États-Unis et au Mexique: www.chauvetlighting.com/warranty-registration.

Pour les clients du Royaume-Uni, de la République d'Irlande, de la Belgique, des Pays-Bas, du Luxembourg, de la France et de l'Allemagne: www.chauvetlighting.eu/warranty-registration/.

Chauvet garantit que cet appareil est exempt de défauts de matériaux et de fabrication dans des conditions normales d'utilisation, pendant la période spécifiée dans la garantie limitée complète consultable sur notre site Internet et sous réserve des exclusions et limitations qui y sont énoncées. Cette garantie ne s'applique qu'à l'acheteur initial du produit et n'est pas transférable. Pour exercer les droits prévus par cette garantie, vous devez fournir une preuve d'achat sous la forme d'un reçu de vente original d'un revendeur autorisé qui indique le nom du produit et la date d'achat. IL N'EXISTE AUCUNE AUTRE GARANTIE EXPRESSE OU IMPLICITE. Cette garantie vous confère des droits légaux spécifiques. Vous pouvez également bénéficier d'autres droits qui varient selon les états et les pays. Cette garantie n'est valable qu'aux États-Unis, au Royaume-Uni, en République d'Irlande, en Belgique, aux Pays-Bas, au Luxembourg, en France, en Allemagne et au Mexique. Pour connaître les conditions de garantie dans d'autres pays, veuillez consulter votre revendeur local.

Consignes de Sécurité

- N'ouvrez PAS cet appareil. Il ne contient aucun composant susceptible d'être réparé par l'utilisateur.
- Ne regardez PAS la source lumineuse lorsque l'appareil fonctionne.
- N'utilisez PAS ce produit en extérieur ou tout autre endroit où de la poussière, une chaleur excessive, de l'eau ou de l'humidité pour en affecter le fonctionnement (IP20).
- Ne laissez AUCUNE source inflammable dans un rayon de 50 cm de l'appareil lorsque celui-ci fonctionne.
- N'utilisez PAS cet appareil si le boîtier, les lentilles ou les câbles vous semblent endommagés.
- Ne connectez PAS cet appareil ni à un gradateur ni à un rhéostat.
- ATTENTION : le boîtier de cet appareil est brûlant lors du fonctionnement.
- ATTENTION : Lorsque l'appareil est transféré d'un environnement à température extrême à un autre (par exemple d'un camion froid vers une salle de bal chaude et humide), de la condensation peut se former sur les composants électriques internes. Pour éviter de causer des dommages, laissez l'appareil s'acclimater entièrement au milieu environnant avant de le mettre sous tension.
- Utilisez TOUJOURS un câble de sécurité lorsque vous montez cet appareil en hauteur.
- Connectez UNIQUEMENT cet appareil à un circuit protégé et relié à la terre.
- Transportez/Suspendez cet appareil UNIQUEMENT par le support de montage dont il est doté.
- Montez toujours cet appareil dans un endroit bien ventilé, à au moins, 20 pouces (50 cm) des surfaces adjacentes.
- Durant les périodes de non-utilisation, pour éviter toute usure inutile et pour prolonger la durée de vie, déconnectez entièrement l'appareil en le débranchant de l'alimentation électrique ou en coupant le disjoncteur.
- En cas de sérieux problèmes de fonctionnement, arrêtez le système immédiatement.
- La température ambiante maximale supportée par cet appareil est de 113 °F (45 °C). Ne le faites pas fonctionner à des températures plus élevées.

Conformité FCC

Cet appareil est conforme à la partie 15, sous-partie B du règlement de la FCC. L'utilisation est soumise aux deux conditions suivantes :

1. Cet appareil ne doit pas causer d'interférences nuisibles, et
2. Cet appareil doit accepter toutes les interférences reçues, y compris celles pouvant entraîner un fonctionnement indésirable.

Tout changement ou modification non expressément approuvé par l'autorité responsable de la conformité pourrait annuler le droit de l'utilisateur à utiliser l'équipement.

Contact

En dehors des États-Unis, du Royaume-Uni, de l'Irlande, du Benelux, de la France, de l'Allemagne, ou du Mexique, contactez votre fournisseur si vous avez besoin d'assistance ou de retourner votre appareil. Consultez le site [Contact Us](#) pour trouver nos coordonnées.

Ce Qui est Inclus

- Ovation F-915VW
- Un cordon d'alimentation Neutrik® powerCON®
- Cadre pour gélatine (191 mm/7,5 in accessoires)
- Un Manuel de Référence

Alimentation CA

Cet appareil est doté d'une alimentation universelle prenant en charge toute tension d'entrée comprise entre 100 et 240 VCA, 50/60 Hz.

Connexion Électrique

Vous pouvez connecter jusqu'à 7 Ovation F-915VW à 120 V, 13 unités à 208 V ou 14 unités à 230 V. Ne dépassez jamais cette limite. Vous pouvez vous procurer séparément des cordons d'alimentation.

Prise CA

Connexion	Câble (États-Unis)	Câble (Europe)	Couleur de la vis
Conducteur CA	Noir	Marron	Jaune/Cuivré
Neutre CA	Blanc	Bleu	Argenté
Terre CA	Vert/Jaune	Vert/Jaune	Vert



Durant les périodes de non-utilisation, pour éviter toute usure inutile et pour prolonger la durée de vie, déconnectez-entièrement l'appareil en le débranchant de l'alimentation électrique ou en coupant le disjoncteur.

Remplacement du Fusible

1. Débranchez l'appareil de la prise.
2. À l'aide d'un tournevis à tête n°2, dévissez le couvercle du porte-fusible.
3. Remplacez le fusible obsolète par un fusible neuf équivalent.
4. Revissez le couvercle du porte-fusible et rebranchez l'unité.

Raccordement DMX

Le Ovation F-915VW fonctionnera avec un jeu d'orgues DMX au moyen de connexions série DMX à 3 et 5 broches. Une introduction au DMX est à votre disposition sur www.chauvetprofessional.com.

Connexion DMX

Le Ovation F-915VW utilise une connexion de données DMX à 3 et 5 broches pour ses personnalités DMX: **1Ch, 4Ch, 6Ch, 7Ch, 9Ch, 13Ch, 16Ch** et **19Ch**. Consultez le Manuel d'Utilisation pour connecter et configurer le système DMX.

Connexion Maître/ Esclave

Le Ovation F-915VW utilise une connexion de données DMX pour son mode Maître/Esclave. Consultez le Manuel d'Utilisation pour connecter et configurer le mode de fonctionnement Maître/Esclave.

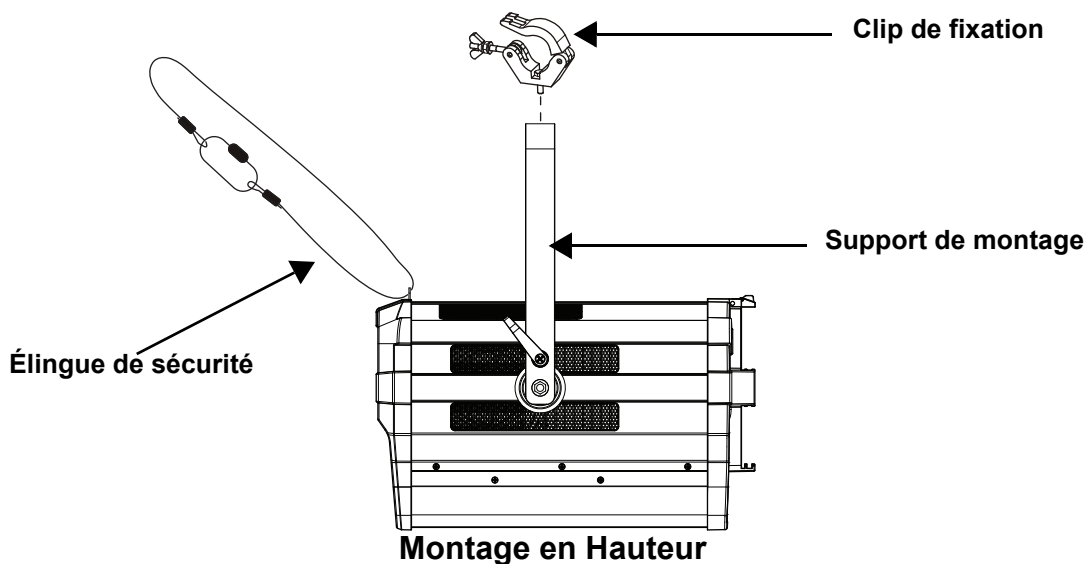
RDM (Gestion des périphériques à distance)

Le protocole RDM (gestion des périphériques à distance) est un standard pour la communication bidirectionnelle des appareils dotés de fonctions DMX dans un câblage DMX existant. Le Ovation F-915VW supporte le protocole RDM permettant un retour d'information pour la surveillance et des changements des options de menu. Veuillez télécharger le manuel de l'utilisateur à partir du site internet www.chauvetprofessional.com pour plus de détails.

Installation

Avant de monter cet appareil, lisez et assimilez les [Consignes de Sécurité](#). Veillez à ce que les fixations sont capables de supporter le poids de l'unité. Découvrez notre gamme de fixations Chauvet sur <http://trusst.com/productcategory/truss-clamps/>.

Schéma de Montage de l'Appareil



Gamme DMX des températures de couleur

Valeurs des Canaux DMX	Température de couleur	Valeurs des Canaux DMX	Température de couleur	Valeurs des Canaux DMX	Température de couleur
000 ⇔ 005	Pas de fonction	084 ⇔ 090	3900–4000K	168 ⇔ 174	5100–5200K
006 ⇔ 013	2800–2900K	091 ⇔ 097	4000–4100K	175 ⇔ 181	5200–5300K
014 ⇔ 020	2900–3000K	098 ⇔ 104	4100–4200K	182 ⇔ 188	5300–5400K
021 ⇔ 027	3000–3100K	105 ⇔ 111	4200–4300K	189 ⇔ 195	5400–5500K
028 ⇔ 034	3100–3200K	112 ⇔ 118	4300–4400K	196 ⇔ 202	5500–5600K
035 ⇔ 041	3200–3300K	119 ⇔ 125	4400–4500K	203 ⇔ 209	5600–5700K
042 ⇔ 048	3300–3400K	126 ⇔ 132	4500–4600K	210 ⇔ 216	5700–6000K
049 ⇔ 055	3400–3500K	133 ⇔ 139	4600–4700K	217 ⇔ 223	6000–6500K
056 ⇔ 062	3500–3600K	140 ⇔ 146	4700–4800K	224 ⇔ 230	6500–7000K
063 ⇔ 069	3600–3700K	147 ⇔ 153	4800–4900K	231 ⇔ 237	7000–7500K
070 ⇔ 076	3700–3800K	154 ⇔ 160	4900–5000K	238 ⇔ 244	7500–8000K
077 ⇔ 083	3800–3900K	161 ⇔ 167	5000–5100K	245 ⇔ 255	8000K



Les températures de couleur ci-dessus sont des rendus simulés de la sortie de couleur effectivement générée par comparaison avec une lampe tungstène à la température de couleur spécifiée. Chauvet ne donne aucune garantie sur la précision de la sortie de couleur.

Description du Tableau de Commandes

Bouton	Fonction
<MENU>	Permet la sortie du menu ou de la fonction en cours
<ENTER>	Permet l'affichage du menu en cours ou permet de configurer la valeur en cours dans la fonction sélectionnée
<UP>	Permet de parcourir les listes ou les menus vers le haut, dans une fonction permet d'augmenter les valeurs numériques
<DOWN>	Permet de parcourir les listes ou les menus vers le bas, dans une fonction permet de diminuer les valeurs numériques
<KNOB1>	Appuyez une fois puis tournez pour sélectionner la température de couleur. Appuyez à nouveau, puis tournez pour sélectionner la teinte
<KNOB2>	Appuyez puis tournez pour augmenter ou diminuer le gradateur
<KNOB3>	Appuyez puis tournez pour augmenter ou diminuer le zoom

Tableau de Menu

Niveau Principal	Niveaux de Programmation	Description
DMX Address	001–512*	Permet de sélectionner l'adresse de démarrage (*le canal le plus élevé est restreint à la personnalité choisie)
	1Ch	1 canaux: gradateur
DMX Channel	4Ch	4 canaux: gradateur, température de couleur, teinte, zoom
	6Ch	6 canaux: gradateur 16-bit, température de couleur, teinte, zoom, stroboscope
	7Ch	7 canaux: rouge, orange, vert, bleu royal, bleu, lime, zoom
	9Ch	9 canaux: gradateur, rouge, orange, vert, bleu royal, bleu, lime, stroboscope, zoom
	13Ch	13 canaux: gradateur, rouge, orange, vert, bleu royal, bleu, lime, stroboscope, température de couleur, teinte, control, zoom, réinitialisation du moteur
	16Ch	16 canaux: gradateur 16-bit, rouge, orange, vert, bleu royal, bleu et lime 16-bit, stroboscope, zoom
	19Ch	19 canaux: gradateur 16-bit, rouge, orange, vert, bleu royal, bleu et lime 16-bit, stroboscope, température de couleur, teinte, zoom, control

Niveau Principal	Niveaux de Programmation			Description	
Static	Color Temperature	2800K 2900K 3000K 3100K 3200K 3300K 3400K 3500K 3600K 3700K 3800K 3900K 4000K 4100K 4200K	Dimmer	0–255	Permet de sélectionner le température de couleur, gradateur et teinte (vert/magenta) niveaux. Simule une lampe tungstène à la température de couleur spécifiée. Consultez la section Gamme DMX des températures de couleur pour en connaître les valeurs spécifiques.
		4300K 4400K 4500K 4600K 4700K 4800K 4900K 5000K 5100K 5200K 5300K 5400K 5500K 5600K 5700K 6000K 6500K 7000K 7500K 8000K	Hue	-25–25	
	Manual Color Mixer	Red Orange Green Royal Blue Blue Lime		0–255	Combine les couleurs rouge, orange, vert, bleu royal, bleu et lime pour un résultat personnalisé (0–100%)
Zoom		0–255			Commande du zoom
Red Shift		On			Imite la gradation des lampes halogènes
		Off			
Master/ Slave		Master			Recevez le signal DMX du contrôleur DMX (maître)
		Slave			Recevoir le signal de l'unité maître (esclave)
Dimmer Curve		S-Curve Linear Square Inverse Square			Définir la courbe de gradation
Dimmer Mode		Off			Gradateur linéaire
		Dimmer 1–3			Courbes de gradation rapide (Dimmer 1) à lent (Dimmer 3)

Niveau Principal	Niveaux de Programmation		Description
White Balance	Manual	Off	Utilise le paramétrage de blanc défini en usine
		Red	Définit la valeur maximale de LED rouge
		Orange	Définit la valeur maximale de LED orange
		Green	Définit la valeur maximale de LED vert
		Royal Blue	Définit la valeur maximale de LED bleu royal
		Blue	Définit la valeur maximale de LED bleu
		Lime	Définit la valeur maximale de LED lime
LED Frequency	600Hz 1200Hz 2000Hz 4000Hz 6000Hz 25KHz	125-255	Permet de sélectionner la fréquence de sortie MLI
Fan Mode	Auto		Réglez le ventilateur en mode automatique
	On		Réglez le mode de ventilateur toujours
	Off		Règle le ventilateur sur toujours
	Silent		Règle le ventilateur sur silencieux
Back Light	10S		Désactive l'affichage rétro-éclairage après 10 secondes d'inactivité
	30S		Désactive l'affichage rétro-éclairage après 30 secondes d'inactivité
	2Min		Désactive l'affichage rétro-éclairage après 2 minutes d'inactivité
	Always On		Affichage rétro-éclairage toujours active
Information	Fixture Hours	----H	Affiche le nombre total des heures du produit
	LED Hours	----H	Shows total LED hours
	Version	V_._	Affiche la version du logiciel installée
	UID	-----	Affiche UID actuel
Reset Zoom w/ Power	No		Réinitialise le zoom par défaut lorsque l'alimentation est activée
	Yes		
Factory Reset	No		Permet de réinitialiser aux valeurs par défaut d'usine
	Yes		



ATTENTION: Lors du fonctionnement en mode ventilateur: Lorsque le ventilateur est à l'arrêt, l'appareil devient plus chaud au toucher que lors de l'utilisation des autres modes de ventilateur. Utilisez un équipement de protection approprié pour prévenir des brûlures. Tenir à l'écart de tout objet inflammable.



REMARQUE: Lors du fonctionnement en mode ventilateur: Lorsque le ventilateur est à l'arrêt, le rendement de l'appareil est réduit et ne peut pas atteindre les mêmes niveaux que lors de l'utilisation des autres modes de ventilateur.

DMX Values

19Ch

Canal	Fonction	Valeur	Pourcentage/Configuration
1	Gradateur	000 ⇔ 255	0–100%
2	Gradateur fin	000 ⇔ 255	0–100%
3	Rouge	000 ⇔ 255	0–100%
4	Rouge fin	000 ⇔ 255	0–100%
5	Orange	000 ⇔ 255	0–100%
6	Orange fin	000 ⇔ 255	0–100%
7	Vert	000 ⇔ 255	0–100%
8	Vert fin	000 ⇔ 255	0–100%
9	Bleu royal	000 ⇔ 255	0–100%
10	Bleu royal fin	000 ⇔ 255	0–100%
11	Bleu	000 ⇔ 255	0–100%
12	Bleu fin	000 ⇔ 255	0–100%
13	Lime	000 ⇔ 255	0–100%
14	Lime fin	000 ⇔ 255	0–100%
15	Stroboscope	000 ⇔ 010 011 ⇔ 255	Pas de fonction Stroboscope, lent à rapide
16	Température de couleur	000 ⇔ 255	Consultez la section Gamme DMX des températures de couleur
17	Teinte	000 ⇔ 255	-25–25
18	Zoom	000 ⇔ 255	Étroit à large
19	Control (maintenez pendant 3 secondes, puis relâchez)	000 ⇔ 007 008 ⇔ 015 016 ⇔ 023 024 ⇔ 031 032 ⇔ 039 040 ⇔ 047 048 ⇔ 055 056 ⇔ 063 064 ⇔ 071 072 ⇔ 079 080 ⇔ 087 088 ⇔ 095 096 ⇔ 103 104 ⇔ 111 112 ⇔ 119 120 ⇔ 127 128 ⇔ 255	Pas de fonction Réinitialiser du gradateur Décalage rouge activé Décalage rouge désactivé Courbe de gradateur S-Curve Courbe de gradateur linéaire Courbe de gradateur carrée Courbe de gradateur carrée inverse Mode vitesse du gradateur désactivé Mode vitesse du gradateur 1 Mode vitesse du gradateur 2 Mode vitesse du gradateur 3 Mode ventilateur automatique Mode ventilateur activé Mode ventilateur désactivé Mode ventilateur silencieux Pas de fonction (réservé)

FR

16Ch

Canal	Fonction	Valeur	Pourcentage/Configuration
1	Gradateur	000 ⇔ 255	0–100%
2	Gradateur fin	000 ⇔ 255	0–100%
3	Rouge	000 ⇔ 255	0–100%
4	Rouge fin	000 ⇔ 255	0–100%
5	Orange	000 ⇔ 255	0–100%
6	Orange fin	000 ⇔ 255	0–100%
7	Vert	000 ⇔ 255	0–100%
8	Vert fin	000 ⇔ 255	0–100%
9	Bleu royal	000 ⇔ 255	0–100%
10	Bleu royal fin	000 ⇔ 255	0–100%
11	Bleu	000 ⇔ 255	0–100%
12	Bleu fin	000 ⇔ 255	0–100%
13	Lime	000 ⇔ 255	0–100%
14	Lime fin	000 ⇔ 255	0–100%
15	Stroboscope	000 ⇔ 010 011 ⇔ 255	Pas de fonction Stroboscope, lent à rapide
16	Zoom	000 ⇔ 255	Étroit à large

13Ch

Canal	Fonction	Valeur	Pourcentage/Configuration
1	Gradateur	000 ⇔ 255	0–100%
2	Rouge	000 ⇔ 255	0–100%
3	Orange	000 ⇔ 255	0–100%
4	Vert	000 ⇔ 255	0–100%
5	Bleu royal	000 ⇔ 255	0–100%
6	Bleu	000 ⇔ 255	0–100%
7	Lime	000 ⇔ 255	0–100%
8	Stroboscope	000 ⇔ 010 011 ⇔ 255	Pas de fonction Stroboscope, lent à rapide
9	Température de couleur	000 ⇔ 255	Consultez la section Gamme DMX des températures de couleur
10	Teinte	000 ⇔ 255	-25–25
11	Control (maintenez pendant 3 secondes, puis relâchez)	000 ⇔ 007	Pas de fonction
		008 ⇔ 015	Réinitialiser du gradateur
		016 ⇔ 023	Décalage rouge activé
		024 ⇔ 031	Décalage rouge désactivé
		032 ⇔ 039	Courbe de gradateur S-Curve
		040 ⇔ 047	Courbe de gradateur linéaire
		048 ⇔ 055	Courbe de gradateur carrée
		056 ⇔ 063	Courbe de gradateur carrée inverse
		064 ⇔ 071	Mode vitesse du gradateur désactivé
		072 ⇔ 079	Mode vitesse du gradateur 1
		080 ⇔ 087	Mode vitesse du gradateur 2
		088 ⇔ 095	Mode vitesse du gradateur 3
		096 ⇔ 103	Mode ventilateur automatique
		104 ⇔ 111	Mode ventilateur activé
112 ⇔ 119	Mode ventilateur désactivé		
120 ⇔ 127	Mode ventilateur silencieux		
128 ⇔ 255	Pas de fonction (réservé)		
12	Zoom	000 ⇔ 255	Étroit à large
13	Réinitialisation du moteur	000 ⇔ 200	Pas de fonction
		201 ⇔ 220	Réinitialisation du moteur
		221 ⇔ 255	Pas de fonction

9Ch

Canal	Fonction	Valeur	Pourcentage/Configuration
1	Gradateur	000 ⇔ 255	0–100%
2	Rouge	000 ⇔ 255	0–100%
3	Orange	000 ⇔ 255	0–100%
4	Vert	000 ⇔ 255	0–100%
5	Bleu royal	000 ⇔ 255	0–100%
6	Bleu	000 ⇔ 255	0–100%
7	Lime	000 ⇔ 255	0–100%
8	Stroboscope	000 ⇔ 010 011 ⇔ 255	Pas de fonction Stroboscope, lent à rapide
9	Zoom	000 ⇔ 255	Étroit à large

6Ch

Canal	Fonction	Valeur	Pourcentage/Configuration
1	Gradateur	000 ⇔ 255	0–100%
2	Gradateur fin	000 ⇔ 255	0–100%
3	Température de couleur	000 ⇔ 255	Consultez la section Gamme DMX des températures de couleur
4	Teinte	000 ⇔ 255	-25–25
5	Zoom	000 ⇔ 255	Étroit à large
6	Stroboscope	000 ⇔ 010 011 ⇔ 255	Pas de fonction Stroboscope, lent à rapide

7Ch

Canal	Fonction	Valeur	Pourcentage/Configuration
1	Rouge	000 ⇔ 255	0–100%
2	Orange	000 ⇔ 255	0–100%
3	Vert	000 ⇔ 255	0–100%
4	Bleu royal	000 ⇔ 255	0–100%
5	Bleu	000 ⇔ 255	0–100%
6	Lime	000 ⇔ 255	0–100%
7	Zoom	000 ⇔ 255	Étroit à large

4Ch

Canal	Fonction	Valeur	Pourcentage/Configuration
1	Gradateur	000 ⇔ 255	0–100%
2	Température de couleur	000 ⇔ 255	Consultez la section Gamme DMX des températures de couleur
3	Teinte	000 ⇔ 255	-25–25
4	Zoom	000 ⇔ 255	Étroit à large

1Ch

Canal	Fonction	Valeur	Pourcentage/Configuration
1	Gradateur	000 ⇔ 255	0–100% (couleur définie par le menu)

Über diese Schnellanleitung

In der Schnellanleitung des Ovation F-915VW finden Sie die wesentlichen Produktinformationen, wie etwa über den Anschluss, die Montage, Menüoptionen und DMX-Werte des Geräts. Laden Sie für weiterführende Informationen unter www.chauvetprofessional.com das Benutzerhandbuch herunter.

Haftungsausschluss

Die in dieser Anleitung aufgeführten Informationen und Spezifikationen können ohne vorherige Ankündigung geändert werden.

EINGESCHRÄNKTE GARANTIE

ZUR REGISTRIERUNG FÜR GARANTIEANSPRÜCHE UND ZUR EINSICHT IN DIE VOLLSTÄNDIGEN GESCHÄFTSBEDINGUNGEN BESUCHEN SIE BITTE UNSERE WEBSITE.

Für Kunden in den USA und in Mexiko: www.chauvetlighting.com/warranty-registration.

Für Kunden im Vereinigten Königreich, in Irland, Belgien, den Niederlanden, Luxemburg, Frankreich und Deutschland: www.chauvetlighting.eu/warranty-registration/.

Chauvet garantiert für die in der auf unserer Website veröffentlichten vollständigen eingeschränkten Garantie genannten Dauer und unter Vorbehalt der darin genannten Haftungsausschlüsse und -beschränkungen, dass dieses Produkt bei normalen Gebrauch frei von Material- und Verarbeitungsfehlern ist. Diese Garantie erstreckt sich nur auf den Erstkäufer des Produkts und ist nicht übertragbar. Zur Ausübung der unter dieser Garantie gewährten Rechte ist der Kaufbeleg in Form der Originalrechnung von einem autorisierten Händler vorzulegen, in der die Produktbezeichnung und das Kaufdatum vermerkt sein müssen. **ES BESTEHEN KEINE WEITEREN AUSDRÜCKLICHEN ODER STILLSCHWEIGENDEN GARANTIEN.** Diese Garantie gibt Ihnen besondere gesetzliche Rechte. Und Sie haben möglicherweise weitere Rechte, die von Land zu Land unterschiedlich sein können. Diese Garantie ist nur in den USA, im Vereinigten Königreich, in Irland, Belgien, den Niederlanden, Luxemburg, Frankreich, Deutschland und Mexiko gültig. Bezüglich der Garantiebestimmungen in anderen Ländern wenden Sie sich bitte an Ihren lokalen Händler.

Sicherheitshinweise

- Dieses Gerät NICHT öffnen. Die eingebauten Komponenten sind für den Kunden wartungsfrei.
- NIEMALS in die Lichtquelle schauen, während das Gerät eingeschaltet ist.
- Dieses Gerät darf NICHT in Wasser eingetaucht werden (IP20). Eine regelmäßige Verwendung dieses Geräts im Freien ist möglich.
- Belassen Sie KEINE entflammaren Materialien in einem Umkreis von 50 cm dieses Geräts, während es in Betrieb oder an der Stromversorgung angeschlossen ist.
- NIEMALS das Gerät in Betrieb nehmen, wenn Ihnen das Gehäuse, die Linsen oder das Kabel beschädigt erscheinen.
- Schließen Sie dieses Gerät NICHT an einen Dimmer oder Regelwiderstand an.
- VORSICHT: Das Gehäuse dieses Produkts kann während des Betriebs heiß werden.
- VORSICHT: Beim Transport des Geräts von einer Umgebung mit außergewöhnlichen Temperaturen in eine andere solche Umgebung (z. B. aus einem kalten Transporter in einen warm-feuchten Ballsaal) kann an der im Gerät enthaltenen Elektronik Wasser kondensieren. Um einen Defekt zu vermeiden, muss sich das Gerät erst in der neuen Umgebung akklimatisiert haben, bevor es an die Stromversorgung angeschlossen werden kann.
- VERWENDEN Sie bei Montage über Kopf immer ein Sicherheitsseil.
- Schließen Sie dieses Produkt NUR an einen mit der Erde verbundenen und geschützten Stromkreis an.
- Das Gerät NUR an den Hänge-/Befestigungsbügeln oder Griffen tragen.
- Installieren Sie das Gerät an einem Ort mit ausreichender Belüftung und mit einem Abstand von mindestens 50 cm zu den angrenzenden Flächen.
- Um unnötigen Verschleiß zu vermeiden und die Lebensdauer des Geräts zu verlängern, trennen Sie während längerer Perioden des Nichtgebrauchs das Gerät vom Stromnetz – entweder per Trennschalter oder durch Herausziehen des Steckers aus der Steckdose.
- Bei ernsthaften Betriebsproblemen stoppen Sie umgehend die Verwendung des Geräts.
- Die maximal zulässige Umgebungstemperatur beträgt 45 °C. Nehmen Sie das Gerät nicht bei höheren Temperaturen in Betrieb.

FCC-Konformität

Dieses Gerät erfüllt Teil 15, Teil B, der FCC-Bestimmungen. Der Betrieb ist an folgende zwei Bedingungen geknüpft:

1. Dieses Gerät darf keine schädlichen Interferenzen verursachen, und
2. Dieses Gerät muss empfangende Interferenzen aufnehmen können, auch Interferenzen, die eventuell einen unerwünschten Betrieb verursachen.

Jegliche Änderungen oder Modifikationen, die nicht ausdrücklich von der Partei genehmigt wurden, die für die Compliance zuständig ist, könnten die Berechtigung des Benutzers zum Betrieb dieses Geräts aufheben.

Kontakt

Kunden außerhalb der USA, GB, Irland, Mexiko, Frankreichs, Deutschlands oder der Benelux-Staaten wenden sich an ihren Lieferanten, um den Kundensupport in Anspruch zu nehmen oder ein Produkt zurückzuschicken. Kontaktinformationen finden Sie unter [Contact Us](#) am Ende dieser Schnellanleitung.

Packungsinhalt

- Ovation F-915VW
- Gel-Rahmen (Zubehör für 7,5 Zoll/191 mm)
- Netzkabel Neutrik® powerCON®
- Schnellanleitung

Wechselstrom

Dieses Gerät verfügt über ein Vorschaltgerät, das automatisch die anliegende Spannung erkennt, sobald der Netzstecker in die Schukosteckdose gesteckt wird, und kann mit einer Eingangsspannung von 100~240 V AC, 50/60 Hz arbeiten.

Serienschaltung der Geräte

Sie können bis zu 7 Ovation F-915VW Geräte bei 120 V AC, 13 Geräte bei 208 V und 14 Geräte bei 230 V AC in Serie schalten. Diese Anzahl niemals überschreiten! Stromkabel für die Serienschaltung können separat erworben werden.

Wechselstromstecker

Anschluss	Draht (USA)	Draht (Europa)	Schraubenfarbe
Stromführender AC-Leiter	Schwarz	Braun	Gelb/Messingfarben
AC-Neutralleiter	Weiß	Blau	Silber
AC-Erdungsleiter	Grün/Gelb	Grün/Gelb	Grün



Um Verschleiß zu vermeiden und die Lebensdauer des Geräts zu verlängern, trennen Sie während längerer Perioden des Nichtgebrauchs das Gerät vom Stromnetz – entweder per Trennschalter oder durch Herausziehen des Steckers aus der Steckdose.

Auswechseln der Sicherung

1. Trennen Sie das Gerät vom Stromnetz.
2. Mit einem Flachkopfschraubendreher lösen Sie die Abdeckung des Sicherungshalters vom Gehäuse.
3. Entfernen Sie die durchgebrannte Sicherung, und ersetzen Sie diese durch eine Sicherung des gleichen Typs und mit den gleichen Werten.
4. Schrauben Sie die Abdeckung der Sicherung wieder ein, und schließen Sie das Gerät wieder an das Stromnetz an.

DMX-Verbindung

Die Ovation F-915VW kann mit einem DMX-Controller betrieben werden, wenn eine 3- und 5-polige DMX-Datenverbindung zum Einsatz kommt. Sie können sich eine Einführung in DMX unter www.chauvetprofessional.com herunterladen.

DMX-Anschluss

Die Ovation F-915VW nutzt zur Steuerung seiner DMX-Eigenschaften eine 3- und 5-polige DMX-Datenverbindung: **1Ch, 4Ch, 6Ch, 7Ch, 9Ch, 13Ch, 16Ch** und **19Ch**. Informationen zum Anschließen und Konfigurieren des Geräts für einen DMX-Betrieb finden Sie in der Bedienungsanleitung.

Master/Slave-Schaltung

Die Ovation F-915VW verwendet für seinen Master/Slave-Modus eine DMX-Datenverbindung. Informationen zum Anschließen und Konfigurieren des Geräts für einen Master/Slave-Betrieb finden Sie in der Bedienungsanleitung.

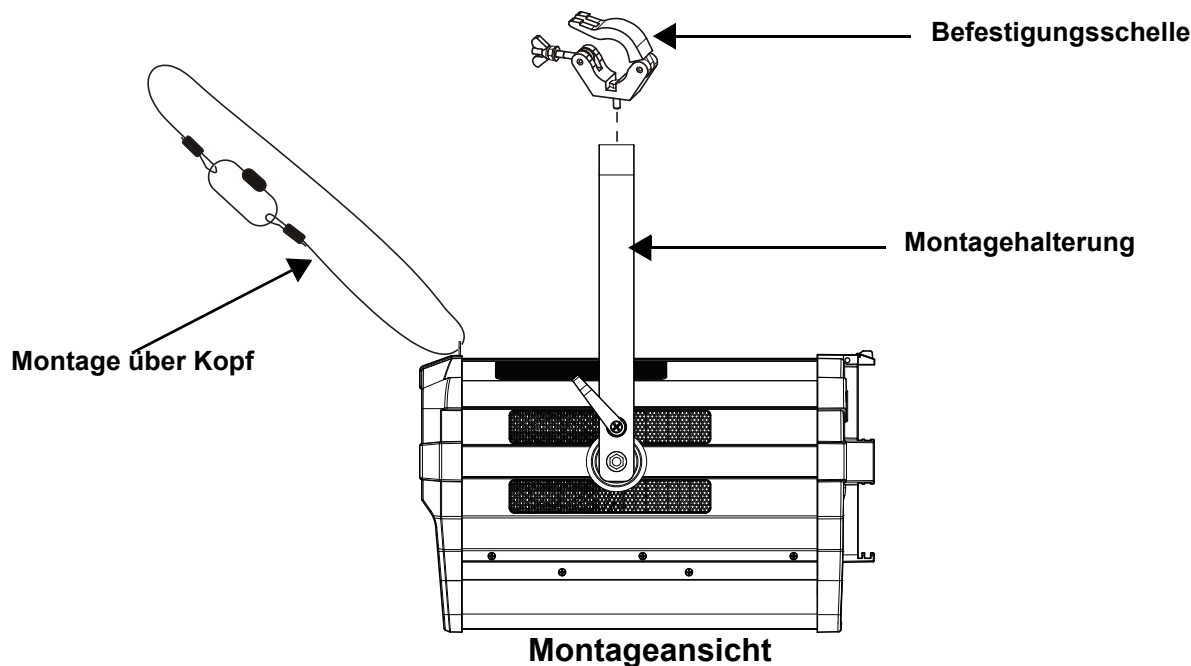
RDM (Remote Device Management)

Remote Device Management bzw. RDM ist ein Standard, mit dem DMX-aktivierte Geräte bidirektional entlang bestehender DMX-Kabel kommunizieren können. Die Ovation F-915VW unterstützt das RDM-Protokoll, über das Feedback zur Überwachung der Änderungen der Menüoptionen gegeben wird. Laden Sie für weiterführende Informationen unter www.chauvetprofessional.com das Benutzerhandbuch herunter.

Montage

Lesen Sie vor der Montage dieses Geräts die [Sicherheitshinweise](#). Mindestens einen Befestigungspunkt pro Gerät verwenden. Stellen Sie sicher, dass die Befestigungsklemmen dafür ausgelegt sind, das Produktgewicht tragen zu können. Informationen zu unserer CHAUVET-Produktlinie für Befestigungsklemmen finden Sie unter <http://trusst.com/productcategory/truss-clamps/>.

Ansicht Gerätemontage



Farbtemperatur-DMX-Tabelle

DMX-Kanal-Wert	Farbtemperatur	DMX-Kanal-Wert	Farbtemperatur	DMX-Kanal-Wert	Farbtemperatur
000 ⇔ 005	Keine Funktion	084 ⇔ 090	3900–4000K	168 ⇔ 174	5100–5200K
006 ⇔ 013	2800–2900K	091 ⇔ 097	4000–4100K	175 ⇔ 181	5200–5300K
014 ⇔ 020	2900–3000K	098 ⇔ 104	4100–4200K	182 ⇔ 188	5300–5400K
021 ⇔ 027	3000–3100K	105 ⇔ 111	4200–4300K	189 ⇔ 195	5400–5500K
028 ⇔ 034	3100–3200K	112 ⇔ 118	4300–4400K	196 ⇔ 202	5500–5600K
035 ⇔ 041	3200–3300K	119 ⇔ 125	4400–4500K	203 ⇔ 209	5600–5700K
042 ⇔ 048	3300–3400K	126 ⇔ 132	4500–4600K	210 ⇔ 216	5700–6000K
049 ⇔ 055	3400–3500K	133 ⇔ 139	4600–4700K	217 ⇔ 223	6000–6500K
056 ⇔ 062	3500–3600K	140 ⇔ 146	4700–4800K	224 ⇔ 230	6500–7000K
063 ⇔ 069	3600–3700K	147 ⇔ 153	4800–4900K	231 ⇔ 237	7000–7500K
070 ⇔ 076	3700–3800K	154 ⇔ 160	4900–5000K	238 ⇔ 244	7500–8000K
077 ⇔ 083	3800–3900K	161 ⇔ 167	5000–5100K	245 ⇔ 255	8000K



Die oben genannten Farbtemperaturen sind simulierte Ähnlichkeiten der Farbausgabe im Vergleich zu einer Wolframlampe mit spezifizierter Farbtemperatur. Chauvet gibt keine Gewährleistung bezüglich der Genauigkeit der Farbausgabe.

Descripción del Panel de Control

Taste	Funktion
<MENU>	Damit verlassen Sie das aktuelle Menü oder die Funktion.
<ENTER>	Damit wird das aktuell angezeigte Menü aktiviert oder der aktuell ausgewählte Wert einer Funktion eingestellt
<UP>	Damit navigieren Sie sich durch die Menüpunkte nach oben und erhöhen den numerischen Wert der entsprechenden Funktion.
<DOWN>	Damit navigieren Sie sich durch die Menüpunkte nach unten und verringern den numerischen Wert der entsprechenden Funktion.
<KNOB1>	Drücken und drehen Sie dieses Bedienelement zur Auswahl der Farbtemperatur
<KNOB2>	Drücken und drehen Sie dieses Bedienelement zum Erhöhen oder Senken der Dimmung
<KNOB3>	Drücken und drehen Sie dieses Bedienelement zum Vergrößern oder Verkleinern des Zoom

Menüstruktur

Hauptebene	Programmirebenen	Beschreibung
DMX Address	001–512*	Wählt die DMX-Adresse aus (*der höchste Kanal ist auf die gewählte Eigenschaft beschränkt)
	1Ch	1-Kanal: Dimmer
DMX Channel	4Ch	4-Kanal: Dimmer, Farbtemperatur, Farbton, Zoom
	6Ch	6-Kanal: Dimmer, 16-Bit-Dimmer, Farbtemperatur, Farbton, Zoom, Stroboskopeffekt
	7Ch	7-Kanal: Rot, Orange, Grüne, Königsblau, Blau, Neongrün, Zoom
	9Ch	9-Kanal: Dimmer, Rot, Orange, Grüne, Königsblau, Blau, Neongrün, Stroboskopeffekt, Zoom
	13Ch	13-Kanal: Dimmer, Rot, Orange, Grüne, Königsblau, Blau, Neongrün, Stroboskopeffekt, Farbtemperatur, Farbton, Steuerung, Zoom, Motorrücksetzung
	16Ch	17-Kanal: 16-Bit-Dimmer, 16-Bit-Rot, Orange, Grüne, Königsblau, Blau, und Neongrün, Stroboskopeffekt, Zoom
	19Ch	19-Kanal: 16-Bit-Dimmer, 16-Bit-Rot, Orange, Grüne, Königsblau, Blau, und Neongrün, Stroboskopeffekt, Farbtemperatur, Farbton, Zoom, Steuerung

Hauptebene	Programmirebenen			Beschreibung	
Static	Color Temperature	2800K 2900K 3000K 3100K 3200K 3300K 3400K 3500K 3600K 3700K 3800K 3900K 4000K 4100K 4200K	Dimmer	0–255	Stellt die Werte für Farbtemperatur, Dimmer und Farbton (grün/magenta) ein. Bildet eine Wolframlampe mit der spezifizierten Farbtemperatur ab. Für spezifische Werte, siehe den Abschnitt Farbtemperatur-DMX-Tabelle .
		4300K 4400K 4500K 4600K 4700K 4800K 4900K 5000K 5100K 5200K 5300K 5400K 5500K 5600K 5700K 6000K 6500K 7000K 7500K 8000K	Hue	-25–25	
	Manual Color Mixer	Red Orange Green Royal Blue Blue Lime		0–255	Kombiniert rote, grün, blaue, bernsteinfarbene und neongrüne Farben zu einer benutzerdefinierten Farbe (0–100%)
Zoom		0–255			Zur Steuerung des Zoom
Red Shift		On			Ahmt die Dimmung einer Halogenlampe nach
		Off			
Master/ Slave		Master			Empfängt DMX-Signal vom DMX-Controller (Master)
		Slave			Empfängt das DMX-Signal vom Master-Gerät
Dimmer Curve		S-Curve Linear Square			Stellt die Dimmungskurve ein
		Inverse Square			
Dimmer Mode		Off			Linearer Dimmer
		Dimmer 1–3			Dimmkurven von schnell (Dimmer 1) bis langsam (Dimmer 3)

Hauptebene	Programmirebenen		Beschreibung	
White Balance	Off		Verwendet die werksseitig voreingestellte Standardeinstellung "Weiß"	
	Manual	Red	125–255	Stellt den maximalen Wert der Roten LED ein
		Orange		Stellt den maximalen Wert der Orange LED ein
		Green		Stellt den maximalen Wert der Grün LED ein
		Royal Blue		Stellt den maximalen Wert der Königsblau LED ein
		Blue		Stellt den maximalen Wert der Blau LED ein
Lime	Stellt den maximalen Wert der Neongrün LED ein			
LED Frequency	600Hz 1200Hz 2000Hz 4000Hz 6000Hz 25KHz		Stellt die PWM-Frequenz ein	
Fan Mode	Auto		Stellt den Lüfter auf den Auto-Modus ein	
	On		Stellt den Lüfter auf den "immer eingeschaltet"-Modus ein	
	Off		Setzt den Lüfter auf immer aus	
	Silent		Stellt den Lüfter auf lautlos	
Back Light	10S		Damit wird die Hintergrundbeleuchtung der Anzeige nach 10 Sekunden Inaktivität ausgeschaltet	
	30S		Damit wird die Hintergrundbeleuchtung der Anzeige nach 30 Sekunden Inaktivität ausgeschaltet	
	2min		Damit wird die Hintergrundbeleuchtung der Anzeige nach 2 Minuten Inaktivität ausgeschaltet	
	Always On		Hintergrundbeleuchtung immer an	
Information	Fixture Hours	----H	Zeigt an, wie lange das Gerät eingeschaltet gewesen ist	
	LED Hours	----H	Zeigt die gesamten LED-Stunden an	
	Version	V._.	Zeigt die aktuelle Firmware-Version an	
	UID	-----	Zeigt die Geräte-UID an	
Reset Zoom w/ Power	No		Setzt den Zoom beim Einschalten auf die Standardeinstellung zurück	
	Yes			
Factory Reset	No		Damit stellen Sie das Gerät auf die Werkseinstellungen zurück	
	Yes			



WARNUNG: Wenn Sie im Lüftermodus arbeiten: Aus, wird das Gerät bei Berührung heißer als bei Verwendung anderer Lüftermodi. Verwenden Sie geeignete Schutzausrüstung, um Verbrennungen zu vermeiden. Halten Sie einen Sicherheitsabstand zu brennbaren Gegenständen ein.



HINWEIS: Im Lüftermodus: Aus wird der Ausgang des Geräts reduziert und erreicht nicht die gleichen Pegel wie bei Verwendung anderer Lüftermodi.

DE

DMX-Werte

19Ch

Kanal	Funktion	Wert	Prozent/Einstellung
1	Dimmer	000 ⇔ 255	0–100%
2	Feine Dimmer	000 ⇔ 255	0–100%
3	Rot	000 ⇔ 255	0–100%
4	Feine rot	000 ⇔ 255	0–100%
5	Orange	000 ⇔ 255	0–100%
6	Feine orange	000 ⇔ 255	0–100%
7	Grün	000 ⇔ 255	0–100%
8	Feine grün	000 ⇔ 255	0–100%
9	Königsblau	000 ⇔ 255	0–100%
10	Feine königsblau	000 ⇔ 255	0–100%
11	Blau	000 ⇔ 255	0–100%
12	Fein blau	000 ⇔ 255	0–100%
13	Neongrün	000 ⇔ 255	0–100%
14	Feine neongrün	000 ⇔ 255	0–100%
15	Stroboskop	000 ⇔ 010 011 ⇔ 255	Keine Funktion Stroboskopeffekt, langsam bis schnell
16	Farbtemperatur	000 ⇔ 255	Siehe Farbtemperatur-DMX-Tabelle
17	Farbton	000 ⇔ 255	-25–25
18	Zoom	000 ⇔ 255	Eng bis weit
19	Steuerung (3 Sekunden gedrückt halten)	000 ⇔ 007 008 ⇔ 015 016 ⇔ 023 024 ⇔ 031 032 ⇔ 039 040 ⇔ 047 048 ⇔ 055 056 ⇔ 063 064 ⇔ 071 072 ⇔ 079 080 ⇔ 087 088 ⇔ 095 096 ⇔ 103 104 ⇔ 111 112 ⇔ 119 120 ⇔ 127 128 ⇔ 255	Keine Funktion Dimmer reset Rotverschiebung an Rotverschiebung aus S-Kurve Dimmerkurve Lineare Dimmerkurve Quadratische Dimmerkurve Inverse quadratische Dimmerkurve Dimmer-Geschwindigkeitsmodus aus Dimmer-Geschwindigkeitsmodus 1 Dimmer-Geschwindigkeitsmodus 2 Dimmer-Geschwindigkeitsmodus 3 Fan-Auto Lüfter an Lüfter aus Lüfter leise Keine Funktion (reserviert)

16Ch

Kanal	Funktion	Wert	Prozent/Einstellung
1	Dimmer	000 ⇔ 255	0–100%
2	Feine Dimmer	000 ⇔ 255	0–100%
3	Rot	000 ⇔ 255	0–100%
4	Feine rot	000 ⇔ 255	0–100%
5	Orange	000 ⇔ 255	0–100%
6	Feine orange	000 ⇔ 255	0–100%
7	Grün	000 ⇔ 255	0–100%
8	Feine grün	000 ⇔ 255	0–100%
9	Königsblau	000 ⇔ 255	0–100%
10	Feine königsblau	000 ⇔ 255	0–100%
11	Blau	000 ⇔ 255	0–100%
12	Fein blau	000 ⇔ 255	0–100%
13	Neongrün	000 ⇔ 255	0–100%
14	Feine neongrün	000 ⇔ 255	0–100%
15	Stroboskop	000 ⇔ 010 011 ⇔ 255	Keine Funktion Stroboskopeffekt, langsam bis schnell
16	Zoom	000 ⇔ 255	Eng bis weit

13Ch

Kanal	Funktion	Wert	Prozent/Einstellung
1	Dimmer	000 ⇔ 255	0–100%
2	Rot	000 ⇔ 255	0–100%
3	Orange	000 ⇔ 255	0–100%
4	Grün	000 ⇔ 255	0–100%
5	Königsblau	000 ⇔ 255	0–100%
6	Blau	000 ⇔ 255	0–100%
7	Neongrün	000 ⇔ 255	0–100%
8	Stroboskop	000 ⇔ 010 011 ⇔ 255	Keine Funktion Stroboskopeffekt, langsam bis schnell
9	Farbtemperatur	000 ⇔ 255	Siehe Farbtemperatur-DMX-Tabelle
10	Farbton	000 ⇔ 255	-25–25
11	Steuerung (3 Sekunden gedrückt halten)	000 ⇔ 007	Keine Funktion
		008 ⇔ 015	Dimmer reset
		016 ⇔ 023	Rotverschiebung an
		024 ⇔ 031	Rotverschiebung aus
		032 ⇔ 039	S-Kurve Dimmerkurve
		040 ⇔ 047	Lineare Dimmerkurve
		048 ⇔ 055	Quadratische Dimmerkurve
		056 ⇔ 063	Inverse quadratische Dimmerkurve
		064 ⇔ 071	Dimmer-Geschwindigkeitsmodus aus
		072 ⇔ 079	Dimmer-Geschwindigkeitsmodus 1
		080 ⇔ 087	Dimmer-Geschwindigkeitsmodus 2
		088 ⇔ 095	Dimmer-Geschwindigkeitsmodus 3
		096 ⇔ 103	Fan-Auto
104 ⇔ 111	Lüfter an		
112 ⇔ 119	Lüfter aus		
120 ⇔ 127	Lüfter leise		
128 ⇔ 255	Keine Funktion (reserviert)		
12	Zoom	000 ⇔ 255	Eng bis weit
13	Motor reset	000 ⇔ 200	Keine Funktion
		201 ⇔ 220	Motorrücksetzung
		221 ⇔ 255	Keine Funktion

DE

9Ch

Kanal	Funktion	Wert	Prozent/Einstellung
1	Dimmer	000 ⇔ 255	0–100%
2	Rot	000 ⇔ 255	0–100%
3	Orange	000 ⇔ 255	0–100%
4	Grün	000 ⇔ 255	0–100%
5	Königsblau	000 ⇔ 255	0–100%
6	Blau	000 ⇔ 255	0–100%
7	Neongrün	000 ⇔ 255	0–100%
8	Stroboskop	000 ⇔ 010 011 ⇔ 255	Keine Funktion Stroboskopeffekt, langsam bis schnell
9	Zoom	000 ⇔ 255	Eng bis weit

6Ch

Kanal	Funktion	Wert	Prozent/Einstellung
1	Dimmer	000 ⇔ 255	0–100%
2	Feine Dimmer	000 ⇔ 255	0–100%
3	Farbtemperatur	000 ⇔ 255	Siehe Farbtemperatur-DMX-Tabelle
4	Farbton	000 ⇔ 255	-25–25
5	Zoom	000 ⇔ 255	Eng bis weit
6	Stroboskop	000 ⇔ 010 011 ⇔ 255	Keine Funktion Stroboskopeffekt, langsam bis schnell

7Ch

Kanal	Funktion	Wert	Prozent/Einstellung
1	Rot	000 ⇔ 255	0–100%
2	Orange	000 ⇔ 255	0–100%
3	Grün	000 ⇔ 255	0–100%
4	Königsblau	000 ⇔ 255	0–100%
5	Blau	000 ⇔ 255	0–100%
6	Neongrün	000 ⇔ 255	0–100%
7	Zoom	000 ⇔ 255	Eng bis weit

4Ch

Kanal	Funktion	Wert	Prozent/Einstellung
1	Dimmer	000 ⇔ 255	0–100%
2	Farbtemperatur	000 ⇔ 255	Siehe Farbtemperatur-DMX-Tabelle
3	Farbton	000 ⇔ 255	-25–25
4	Zoom	000 ⇔ 255	Eng bis weit

1Ch

Kanal	Funktion	Wert	Prozent/Einstellung
1	Dimmer	000 ⇔ 255	0–100% (Farbeinstellung über Menü)

Over deze handleiding

De Ovation F-915VW Beknopte Handleiding (BH) bevat basisinformatie over het product, zoals aansluiting, montage, menu-opties en DMX-waarden. Download de gebruikershandleiding op www.chauvetprofessional.com voor meer informatie.

Disclaimer

De informatie en specificaties in deze BH kunnen zonder voorafgaande kennisgeving worden gewijzigd.

BEPERKTE GARANTIE

GA NAAR ONZE WEBSITE VOOR REGISTRATIE VAN DE GARANTIE EN DE VOLLEDIGE ALGEMENE VOORWAARDEN.

Voor klanten in de Verenigde Staten en Mexico: www.chauvetlighting.com/warranty-registration.

Voor klanten in het Verenigd Koninkrijk, Ierland, België, Nederland, Luxemburg, Frankrijk en Duitsland: www.chauvetlighting.eu/warranty-registration/.

Chauvet garandeert dat dit product bij normaal gebruik vrij zal blijven van defecten in materiaal en vakmanschap, voor de opgegeven periode en onder voorbehoud van de uitzonderingen en beperkingen die zijn uiteengezet in de volledige beperkte garantie op onze website. Deze garantie geldt uitsluitend voor de oorspronkelijke koper van het product en is niet overdraagbaar. Om onder deze garantie rechten uit te oefenen, moet u een aankoopbewijs overleggen in de vorm van een origineel verkoopbewijs van een geautoriseerde dealer, waarop de naam van het product en de aankoopdatum zichtbaar zijn. ER ZIJN GEEN ANDERE EXPLICIETE OF IMPLICIETE GARANTIES. Deze garantie geeft u specifieke wettelijke rechten. Mogelijk heeft u ook andere rechten die van staat tot staat en van land tot land verschillen. Deze garantie is uitsluitend geldig in de Verenigde Staten, het Verenigd Koninkrijk, Ierland, België, Nederland, Luxemburg, Frankrijk, Duitsland en Mexico. Neem contact op met uw lokale verkoper voor garantievoorwaarden in andere landen.

Veiligheidsinstructies

- Open het product NIET. Het bevat geen te onderhouden onderdelen.
- KIJK NIET in de lichtbron wanneer het apparaat is ingeschakeld.
- Gebruik dit product NIET buitenshuis of op een locatie waar stof, grote warmte, water of vochtigheid het kunnen beïnvloeden (IP20).
- Plaats geen ontvlambaar materiaal binnen 50 cm van dit product als het in gebruik is of is aangesloten op het stopcontact.
- Gebruik dit product NIET als de behuizing, lenzen of kabels beschadigd lijken.
- Sluit dit product NIET aan op een dimmer of een regelweerstand.
- LET OP: De behuizing van dit product kan heet zijn wanneer het in bedrijf is.
- LET OP: Bij het verplaatsen van het product uit extreme omgevingen, (bijv. koude vrachtwagen naar warme, vochtige balzaal) kan er condensvorming optreden op de elektronica van het product. Om storingen te vermijden moet het product volledig kunnen acclimatiseren aan de omgeving voordat het op stroom wordt aangesloten.
- GEBRUIK een veiligheidskabel bij het boven het hoofd plaatsen van dit product.
- Sluit dit product UITSLUITEND op een geaard en beveiligd stroomcircuit.
- Gebruik UITSLUITEND de ophang-/montagebeugel om dit product te dragen.
- Monteer dit product op een plek met voldoende ventilatie, ten minste 50 cm van de aangrenzende oppervlakken.
- Om onnodige slijtage te elimineren en zijn levensduur te verlengen, gedurende perioden wanneer het product niet wordt gebruikt, moet u het product van de stroom afsluiten door een aardlekschakelaar om te zetten of door het te ontkoppelen.
- Stop in het geval van ernstige operationele problemen onmiddellijk met het gebruik.
- De maximale omgevingstemperatuur bedraagt 45 °C. Gebruik dit product niet bij hogere temperaturen.

FCC-naleving

Dit apparaat voldoet aan Part 15 Part B van de FCC-regels. Het gebruik is onderworpen aan de volgende twee voorwaarden:

1. Dit apparaat mag geen schadelijke interferentie veroorzaken, en
2. Dit apparaat moet enige ontvangen interferentie accepteren, inclusief interferentie die een ongewenste werking kan veroorzaken.

Eventuele wijzigingen of aanpassingen die niet uitdrukkelijk door de voor naleving verantwoordelijke partij zijn goedgekeurd, kan de bevoegdheid van de gebruiker om de apparatuur te bedienen ongeldig verklaren.

Contact

Van buiten de VS, Verenigd Koninkrijk, Ierland, Benelux, Frankrijk, Duitsland of Mexico kunt u contact opnemen met de distributeur of om ondersteuning vragen dan wel het product retourneren. Ga naar [Contact Us](#) voor contactinformatie.

Wat is inbegrepen

- Ovation F-915VW
- Neutrik® powerCON® stroomsnoer
- Gelframe (191 mm/7,5 in accessoires)
- Beknopte handleiding

AC-stroom

Dit product heeft een voeding met automatisch bereik die werkt met een ingangsspanning van 100–240 VAC, 50/60 Hz.

Power Linking

U kunt tot 7 Ovation F-915VW-producten koppelen bij 120 V, 13 producten bij 230 V, 14 producten bij 230 V. Dit aantal niet overschrijden. Power Linking-snoeren kunnen apart aangeschaft worden.

AC-stekker

Aansluiting	Snoer (VS)	Snoer (Europa)	Schroefkleur
AC Live	Zwart	Bruin	Geel/messing
AC Neutraal	Wit	Blauw	Zilver
AC Aarde	Groen/geel	Groen/geel	Groen



Om onnodige slijtage te elimineren en zijn levensduur te verlengen, gedurende perioden wanneer het product niet wordt gebruikt, moet u het product van de stroom afsluiten door een aardlekschakelaar om te zetten of door het te ontkoppelen.

De zekering vervangen

1. Ontkoppel dit product van de stroom.
2. Gebruik een kruiskopschroevendraaier nr. 2 en schroef de kap van de zekeringhouder los van de behuizing.
3. Verwijder de doorgebrande zekering en vervang het met een werkende zekering van hetzelfde type en met dezelfde waarde.
4. Schroef de kap van de zekeringhouder terug en steek de stekker er weer in.

DMX-koppeling

De Ovation F-915VW kan met een DMX-controller werken met een 3- en 5-pins DMX seriële verbinding. Op www.chauvetprofessional.com is een DMX basishandleiding verkrijgbaar.

DMX-aansluiting

De Ovation F-915VW gebruikt een 3- en 5-pins DMX-gegevensverbinding voor zijn DMX-persoonlijkheden: **1Ch, 4Ch, 6Ch, 7Ch, 9Ch, 13Ch, 16Ch** en **19Ch**. Zie de gebruikershandleiding om te verbinden en te configureren voor DMX-werking.

Master/slave-verbinding

De Ovation F-915VW maakt gebruik van de DMX-dataverbinding voor haar Master-/Slave-modus. Zie de gebruikershandleiding om te verbinden en te configureren voor Master/Slave-werking.

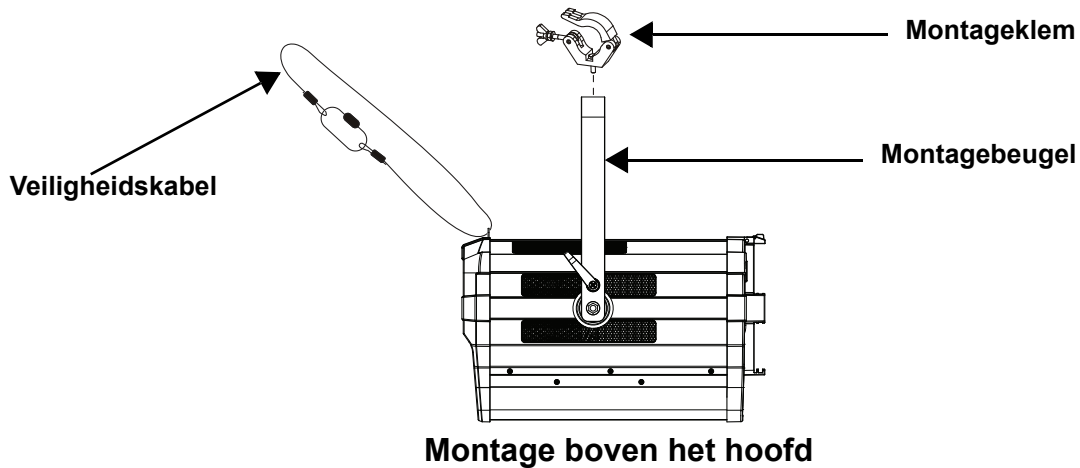
RDM (apparaatbeheer op afstand)

Remote Device Management of RDM (apparaatbeheer op afstand) is een standaard die het voor DMX-apparaten mogelijk maakt om in twee richtingen te communiceren over bestaande DMX-kabels. De Ovation F-915VW ondersteunt het RDM-protocol dat zorgt feedback toelaat bij de bewaking van wijzigingen aan de menu map-opties van. Download de gebruikershandleiding op www.chauvetprofessional.com voor meer informatie.

Montage

Lees alvorens dit product te monteren alle [Veiligheidsinstructies](#). Controleer of de montageklem het gewicht van het product kan dragen. Ga voor onze Chauvet-serie montageklemmen naar <http://trusst.com/productcategory/truss-clamps/>.

Montagediagram van het product



Kleurtemperatuur DMX-kaart

DMX-kanaalwaarde	Kleurtemperatuur	DMX-kanaalwaarde	Kleurtemperatuur	DMX-kanaalwaarde	Kleurtemperatuur
000 ⇔ 005	Geen functie	084 ⇔ 090	3900–4000K	168 ⇔ 174	5100–5200K
006 ⇔ 013	2800–2900K	091 ⇔ 097	4000–4100K	175 ⇔ 181	5200–5300K
014 ⇔ 020	2900–3000K	098 ⇔ 104	4100–4200K	182 ⇔ 188	5300–5400K
021 ⇔ 027	3000–3100K	105 ⇔ 111	4200–4300K	189 ⇔ 195	5400–5500K
028 ⇔ 034	3100–3200K	112 ⇔ 118	4300–4400K	196 ⇔ 202	5500–5600K
035 ⇔ 041	3200–3300K	119 ⇔ 125	4400–4500K	203 ⇔ 209	5600–5700K
042 ⇔ 048	3300–3400K	126 ⇔ 132	4500–4600K	210 ⇔ 216	5700–6000K
049 ⇔ 055	3400–3500K	133 ⇔ 139	4600–4700K	217 ⇔ 223	6000–6500K
056 ⇔ 062	3500–3600K	140 ⇔ 146	4700–4800K	224 ⇔ 230	6500–7000K
063 ⇔ 069	3600–3700K	147 ⇔ 153	4800–4900K	231 ⇔ 237	7000–7500K
070 ⇔ 076	3700–3800K	154 ⇔ 160	4900–5000K	238 ⇔ 244	7500–8000K
077 ⇔ 083	3800–3900K	161 ⇔ 167	5000–5100K	245 ⇔ 255	8000K



De bovenstaande kleurtemperaturen zijn gesimuleerde weergaven van de geproduceerde kleuropbrengst, in vergelijking met een wolfram-lamp bij de opgegeven kleurtemperatuur. Chauvet geeft geen garantie over de nauwkeurigheid van de kleuropbrengst.

Beschrijving bedienings paneel

Toets	Functie
<MENU>	Sluit het huidige menu of functie af
<ENTER>	Activeert het huidige getoonde menu of plaatst de huidige geselecteerde waarde in de geselecteerde functie
<UP>	Navigeert omhoog via het menu of verhoogt de numerieke waarde wanneer in een functie
<DOWN>	Navigeert omlaag via het menu of verlaagt de numerieke waarde wanneer in een functie
<KNOB1>	Indrukken een keer en daarna draaien om de selecteren de kleurtemperatuur. Indrukken opnieuw en daarna draaien om de selecteren de tint
<KNOB2>	Indrukken en daarna draaien om de dimmer te verhogen of te verlagen
<KNOB3>	Indrukken en daarna draaien om de zoom te verhogen of te verlagen

Menu-map

Hoofdniveau	Programmeerniveaus	Beschrijving
DMX Address	001–512*	Selecteert het start-adres (*hoogste kanaal beperkt tot de gekozen persoonlijkheid)
DMX Channel	1Ch	1-kanaal: dimmer
	4Ch	4-kanaal: dimmer, kleurtemperatuur, tint, zoom
	6Ch	6-kanaal: 16-bit dimmer, kleurtemperatuur, tint, zoom, stroboscoop
	7Ch	7-kanaal: rood, oranje, groen, koningsblauw, blauw, lime, zoom
	9Ch	9-kanaal: dimmer, rood, oranje, groen, koningsblauw, blauw, lime, stroboscoop, zoom
	13Ch	13-kanaal: dimmer, rood, oranje, groen, koningsblauw, blauw, lime, stroboscoop, kleurtemperatuur, tint, controle, zoom, motorreset
	16Ch	16-kanaal: 16-bit dimmer, 16-bit rood, oranje, groen, koningsblauw, blauw en lime, stroboscoop, zoom
	19Ch	19-kanaal: 16-bit dimmer, 16-bit 16-bit rood, oranje, groen, koningsblauw, blauw en lime, stroboscoop, kleurtemperatuur, tint, zoom, controle

Hoofdniveau	Programmeerniveaus			Beschrijving	
Static	Color Temperature	2800K 2900K 3000K 3100K 3200K 3300K 3400K 3500K 3600K 3700K 3800K 3900K 4000K 4100K 4200K	Dimmer	0–255	Vooringestelde witte kleurtemperaturen. Emuleert een wolfram-lamp bij de opgegeven kleurtemperatuur. Raadpleeg de sectie Kleurtemperatuur DMX-kaart voor specifieke waarden.
		4300K 4400K 4500K 4600K 4700K 4800K 4900K 5000K 5100K 5200K 5300K 5400K 5500K 5600K 5700K 6000K 6500K 7000K 7500K 8000K	Hue	-025–025	
	Manual Color Mixer	Red Orange Green Royal Blue Blue Lime		000–255	Combineert rood, oranje, groen, koningsblauw, blauw of lime om een aangepaste kleur te genereren (0–100%)
Zoom		000–255			Controleert de zoom
Red Shift		On			Bootst halogeenlamp dimmen na
		Off			
Master/ Slave		Master			Ontvangt DMX-signalen van de DMX-controller
		Slave			Ontvangt DMX-signalen van de master
Dimmer Curve		S-Curve Linear Square Inverse Square			Stelt de dimcurve in
		Off			
Dimmer Mode					Lineaire dimmer
		Dimmer 1–3			Selecteert dimprofielen van snel (Dimmer 1) tot langzaam (Dimmer 3)

Hoofdniveau	Programmeerniveaus		Beschrijving
White Balance	Manual	Off	Gebruikt standaard witte instelling
		Red	Stelt de maximum waarde van de rood LED in
		Orange	Stelt de maximum waarde van de oranje LED in
		Green	Stelt de maximum waarde van de groen LED in
		Royal Blue	Stelt de maximum waarde van de koningsblauw LED in
		Blue	Stelt de maximum waarde van de blauw LED in
		Lime	Stelt de maximum waarde van de lime LED in
LED Frequency		600Hz 1200Hz 2000Hz 4000Hz 6000Hz 25KHz	Selecteert de PWM-uitgangsfrequentie
Fan Mode		Auto	Ingesteld de ventilator automatische modus
		On	Ingesteld de ventilator altijd aan modus
		Off	Ingesteld de ventilator altijd uit
		Silent	Ingesteld de ventilator stil
Back Light		10S	Schakelt de backlight van de display uit na 10s van inactiviteit
		30S	Schakelt de backlight van de display uit na 30s van inactiviteit
		2Min	Schakelt de backlight van de display uit na 2min van inactiviteit
		Always On	De backlight van de display is altijd aan
Information	Fixture Hours	----H	Toont het totale aantal producturen
	LED Hours	----H	Toont het totaal aantal LED-uren
	Version	V_._	Toont de geïnstalleerde softwareversie
	UID	-----	Geeft de huidige UID
Reset Zoom w/ Power	No		Reset de zoom naar standaard wanneer de stroom wordt ingeschakeld
	Yes		
Factory Reset	No		Herstellen naar de fabrieksstandaard
	Yes		



WAARSCHUWING: Bij werking in de ventilatormodus: Uit, de armatuur wordt voelt warmer aan dan bij gebruik van andere ventilatormodi. Gebruik de juiste beschermende uitrusting om brandwonden te voorkomen. Houd een veilige afstand van brandbare voorwerpen.



LET OP: Bij werking in de ventilatormodus: Uit, uitvoer van de armatuur wordt verminderd en zal niet dezelfde niveaus bereiken als bij andere ventilatormodi.

DMX-waarden

19Ch

Kanaal	Functie	Waarde	Percentage/Instelling
1	Dimmer	000 ⇔ 255	0–100%
2	Fijn dimmer	000 ⇔ 255	0–100%
3	Rood	000 ⇔ 255	0–100%
4	Fijn rood	000 ⇔ 255	0–100%
5	Oranje	000 ⇔ 255	0–100%
6	Fijn oranje	000 ⇔ 255	0–100%
7	Groen	000 ⇔ 255	0–100%
8	Fijn groen	000 ⇔ 255	0–100%
9	Koningsblauw	000 ⇔ 255	0–100%
10	Fijn koningsblauw	000 ⇔ 255	0–100%
11	Blauw	000 ⇔ 255	0–100%
12	Fijn blauw	000 ⇔ 255	0–100%
13	Lime	000 ⇔ 255	0–100%
14	Fijn lime	000 ⇔ 255	0–100%
15	Stroboscoop	000 ⇔ 010 011 ⇔ 255	Geen functie Stroboscoop, langzaam tot snel
16	Kleurtemperatuur	000 ⇔ 255	Raadpleeg de sectie Kleurtemperatuur DMX-kaart
17	Tint	000 ⇔ 255	-25–25
18	Zoom	000 ⇔ 255	Smal tot breed
19	Controle (houd 3 seconden ingedrukt)	000 ⇔ 007 008 ⇔ 015 016 ⇔ 023 024 ⇔ 031 032 ⇔ 039 040 ⇔ 047 048 ⇔ 055 056 ⇔ 063 064 ⇔ 071 072 ⇔ 079 080 ⇔ 087 088 ⇔ 095 096 ⇔ 103 104 ⇔ 111 112 ⇔ 119 120 ⇔ 127 128 ⇔ 255	Geen functie Dimmer reset Rode shift aan Rode shift uit S-Curve dimcurve Lineaire dimcurve Vierkante dimcurve Omgekeerde vierkante dimcurve Dimmer snelheid modus uit Dimmersnelheidsmodus 1 Dimmersnelheidsmodus 2 Dimmersnelheidsmodus 3 Automatische ventilator Ventilator aan Ventilator uit Stille ventilator Geen functie (gereserveerd)

NL

16Ch

Kanaal	Functie	Waarde	Percentage/Instelling
1	Dimmer	000 ⇔ 255	0–100%
2	Fijn dimmer	000 ⇔ 255	0–100%
3	Rood	000 ⇔ 255	0–100%
4	Fijn rood	000 ⇔ 255	0–100%
5	Oranje	000 ⇔ 255	0–100%
6	Fijn oranje	000 ⇔ 255	0–100%
7	Groen	000 ⇔ 255	0–100%
8	Fijn groen	000 ⇔ 255	0–100%
9	Koningsblauw	000 ⇔ 255	0–100%
10	Fijn koningsblauw	000 ⇔ 255	0–100%
11	Blauw	000 ⇔ 255	0–100%
12	Fijn blauw	000 ⇔ 255	0–100%
13	Lime	000 ⇔ 255	0–100%
14	Fijn lime	000 ⇔ 255	0–100%
15	Stroboscoop	000 ⇔ 010 011 ⇔ 255	Geen functie Stroboscoop, langzaam tot snel
16	Zoom	000 ⇔ 255	Smal tot breed

13Ch

Kanaal	Functie	Waarde	Percentage/Instelling
1	Dimmer	000 ⇔ 255	0–100%
2	Rood	000 ⇔ 255	0–100%
3	Oranje	000 ⇔ 255	0–100%
4	Groen	000 ⇔ 255	0–100%
5	Koningsblauw	000 ⇔ 255	0–100%
6	Blauw	000 ⇔ 255	0–100%
7	Lime	000 ⇔ 255	0–100%
8	Stroboscoop	000 ⇔ 010 011 ⇔ 255	Geen functie Stroboscoop, langzaam tot snel
9	Kleurtemperatuur	000 ⇔ 255	Raadpleeg de sectie Kleurtemperatuur DMX-kaart
10	Tint	000 ⇔ 255	-25–25
11	Controle (houd 3 seconden ingedrukt)	000 ⇔ 007 008 ⇔ 015 016 ⇔ 023 024 ⇔ 031 032 ⇔ 039 040 ⇔ 047 048 ⇔ 055 056 ⇔ 063 064 ⇔ 071 072 ⇔ 079 080 ⇔ 087 088 ⇔ 095 096 ⇔ 103 104 ⇔ 111 112 ⇔ 119 120 ⇔ 127 128 ⇔ 255	Geen functie Dimmer reset Rode shift aan Rode shift uit S-Curve dimcurve Lineaire dimcurve Vierkante dimcurve Omgekeerde vierkante dimcurve Dimmer snelheid modus uit Dimmersnelheidsmodus 1 Dimmersnelheidsmodus 2 Dimmersnelheidsmodus 3 Automatische ventilator Ventilator aan Ventilator uit Stille ventilator Geen functie (gereserveerd)
12	Zoom	000 ⇔ 255	Smal tot breed
13	Motor reset	000 ⇔ 200 201 ⇔ 220 221 ⇔ 255	Geen functie Motorreset Geen functie

9Ch

Kanaal	Functie	Waarde	Percentage/Instelling
1	Dimmer	000 ⇔ 255	0–100%
2	Rood	000 ⇔ 255	0–100%
3	Oranje	000 ⇔ 255	0–100%
4	Groen	000 ⇔ 255	0–100%
5	Koningsblauw	000 ⇔ 255	0–100%
6	Blauw	000 ⇔ 255	0–100%
7	Lime	000 ⇔ 255	0–100%
8	Stroboscoop	000 ⇔ 010 011 ⇔ 255	Geen functie Stroboscoop, langzaam tot snel
9	Zoom	000 ⇔ 255	Smal tot breed

6Ch

Kanaal	Functie	Waarde	Percentage/Instelling
1	Dimmer	000 ⇔ 255	0–100%
2	Fijnedimmer	000 ⇔ 255	0–100%
3	Kleurtemperatuur	000 ⇔ 255	Raadpleeg de sectie Kleurtemperatuur DMX-kaart
4	Tint	000 ⇔ 255	-25–25
5	Zoom	000 ⇔ 255	Smal tot breed
6	Stroboscoop	000 ⇔ 010 011 ⇔ 255	Geen functie Stroboscoop, langzaam tot snel

7Ch

Kanaal	Functie	Waarde	Percentage/Instelling
1	Rood	000 ⇔ 255	0–100%
2	Oranje	000 ⇔ 255	0–100%
3	Groen	000 ⇔ 255	0–100%
4	Koningsblauw	000 ⇔ 255	0–100%
5	Blauw	000 ⇔ 255	0–100%
6	Lime	000 ⇔ 255	0–100%
7	Zoom	000 ⇔ 255	Smal tot breed

4Ch

Kanaal	Functie	Waarde	Percentage/Instelling
1	Dimmer	000 ⇔ 255	0–100%
2	Kleurtemperatuur	000 ⇔ 255	Raadpleeg de sectie Kleurtemperatuur DMX-kaart
3	Tint	000 ⇔ 255	-25–25
4	Zoom	000 ⇔ 255	Smal tot breed

1Ch

Kanaal	Functie	Waarde	Percentage/Instelling
1	Dimmer	000 ⇔ 255	0–100% (kleur ingesteld via menu)

Contact Us

General Information	Technical Support
Chauvet World Headquarters	
Address: 5200 NW 108th Ave. Sunrise, FL 33351 Voice: (954) 577-4455 Fax: (954) 929-5560 Toll Free: (800) 762-1084	Voice: (844) 393-7575 Fax: (954) 756-8015 Email: chauvetcs@chauvetlighting.com Website: www.chauvetprofessional.com
Chauvet Europe Ltd	
Address: Unit 1C Brookhill Road Industrial Estate Pinxton, Nottingham, UK NG16 6NT Voice: +44 (0) 1773 511115 Fax: +44 (0) 1773 511110	Email: UKtech@chauvetlighting.eu Website: www.chauvetprofessional.eu
Chauvet Europe BVBA	
Address: Stokstraat 18 9770 Kruishoutem Belgium Voice: +32 9 388 93 97	Email: BNLtech@chauvetlighting.eu Website: www.chauvetprofessional.eu
Chauvet France	
Address: 3, Rue Ampère 91380 Chilly-Mazarin France Voice: +33 1 78 85 33 59	Email: FRtech@chauvetlighting.fr Website: www.chauvetprofessional.eu
Chauvet Germany	
Address: Bruno-Bürgel-Str. 11 28759 Bremen Germany Voice: +49 421 62 60 20	Email: DEtech@chauvetlighting.de Website: www.chauvetprofessional.eu
Chauvet Mexico	
Address: Av. de las Partidas 34 - 3B (Entrance by Calle 2) Zona Industrial Lerma Lerma, Edo. de México, CP 52000 Voice: +52 (728) 690-2010	Email: servicio@chauvet.com.mx Website: www.chauvetprofessional.mx

Visit the applicable website above to verify our contact information and instructions to request support. Outside the U.S., U.K., Ireland, Benelux, France, Germany, or Mexico, contact the dealer of record.



UL 1573
CSA C22.2 No. 166
E113093

