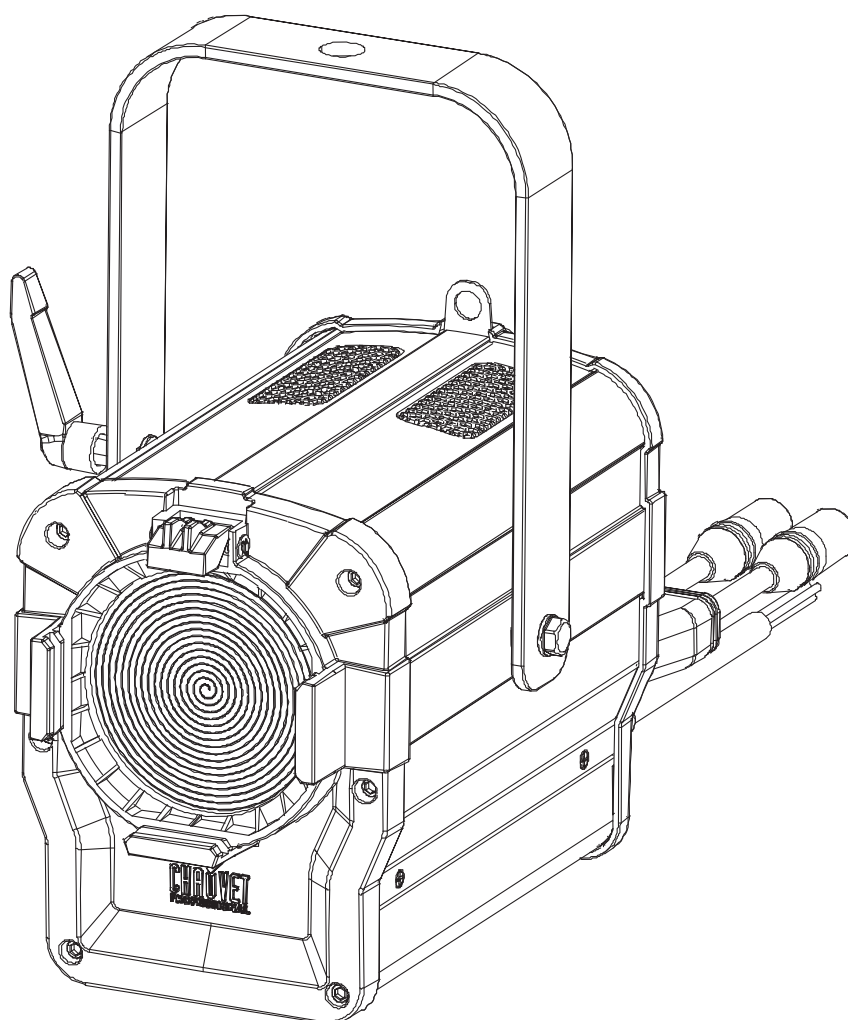


Ovation

F-55FC

Quick Reference Guide

English	EN
Español	ES
Français	FR
Deutsch	DE
Nederlands	NL



About This Guide

The Ovation F-55FC Quick Reference Guide (QRG) has basic product information such as connection, mounting, menu options, and DMX values. Download the User Manual from www.chauvetprofessional.com for more details.

Disclaimer

The information and specifications contained in this QRG are subject to change without notice.

LIMITED WARRANTY

FOR WARRANTY REGISTRATION AND COMPLETE TERMS AND CONDITIONS PLEASE VISIT OUR WEBSITE.

For Customers in the United States and Mexico: www.chauvetlighting.com/warranty-registration.

For Customers in the United Kingdom, Republic of Ireland, Belgium, the Netherlands, Luxembourg, France, and Germany: www.chauvetlighting.eu/warranty-registration.

Chauvet warrants that this product shall be free from defects in material and workmanship under normal use, for the period specified in, and subject to the exclusions and limitations set forth in the full limited warranty on our website. This warranty extends only to the original purchaser of the product and is not transferable. To exercise rights under this warranty, you must provide proof of purchase in the form of an original sales receipt from an authorized dealer that shows the product name and date of purchase. THERE ARE NO OTHER EXPRESS OR IMPLIED WARRANTIES. This warranty gives you specific legal rights. You may also have other rights that vary from state to state and country to country. This warranty is valid only in the United States, United Kingdom, Republic of Ireland, Belgium, the Netherlands, Luxembourg, France, Germany and Mexico. For warranty terms in other countries, please consult your local distributor.

Safety Notes

- DO NOT open this product. It contains no user-serviceable parts.
- DO NOT look at the light source when the product is on.
- DO NOT operate this product outdoors or in any location where dust, excessive heat, water, or humidity may affect it (IP20).
- DO NOT leave any flammable material within 50 cm of this product while operating or connected to power.
- DO NOT operate this product if the housing, lenses, or cables appear damaged.
- DO NOT connect this product to a dimmer or rheostat.
- CAUTION: This product's housing may be hot when lights are operating.
- CAUTION: When transferring product from extreme temperature environments, (e.g., cold truck to warm humid ballroom) condensation may form on the internal electronics of the product. To avoid causing a failure, allow product to fully acclimate to the surrounding environment before connecting it to power.
- USE a safety cable when mounting this product overhead.
- ONLY connect this product to a grounded and protected circuit.
- ONLY use the hanging/mounting bracket to carry this product.
- Mount this product in a location with adequate ventilation, at least 20 in (50 cm) from adjacent surfaces.
- To eliminate unnecessary wear and improve its lifespan, during periods of non-use completely disconnect the product from power via breaker or by unplugging it.
- In the event of a serious operating problem, stop using immediately.
- The maximum ambient temperature is 113 °F (45 °C). Do not operate this product at higher temperatures.

FCC Compliance

This device complies with Part 15 Part B of the FCC Rules. Operation is subject to the following two conditions:

1. This device may not cause harmful interference, and
2. This device must accept any interference received, including interference that may cause undesired operation.

Any changes or modifications not expressly approved by the party responsible for compliance could void the user's authority to operate the equipment.

Contact

Outside the U.S., U.K., Ireland, Benelux, France, Germany, or Mexico, contact a distributor to request support or return a product. Refer to [Contact Us](#) at the end of this QRG for contact information.

What is Included

- Ovation F-55FC
- Gel frame
- Quick Reference Guide

AC Power

This product has an auto-ranging power supply that can work with an input voltage range of 100–240 VAC, 50/60 Hz.

AC Plug

Connection	Wire (U.S.)	Wire (Europe)	Screw Color
AC Live	Black	Brown	Yellow/Brass
AC Neutral	White	Blue	Silver
AC Ground	Green/Yellow	Green/Yellow	Green



To eliminate unnecessary wear and improve its lifespan, during periods of non-use completely disconnect the product from power via breaker or by unplugging it.

Replacing the Fuse

1. Disconnect this product from power.
2. Using a flat-head screwdriver, unscrew the fuse holder cap from the housing.
3. Remove blown fuse and replace with a good fuse of the same type and rating.
4. Screw the fuse holder cap back in place and reconnect power.

DMX Linking

The Ovation F-55FC will work with a DMX controller using a 5-pin DMX serial connection. A DMX Primer is available from www.chauvetprofessional.com.

DMX Connection

The Ovation F-55FC uses a 5-pin DMX for its DMX personalities: **1Ch, 3Ch, 5Ch, 7Ch, 10Ch, 12Ch, 13Ch, 16Ch**, and **HSV**. See the User Manual for information about connecting and configuring the product for DMX operation.

Master/Slave Connection

The Ovation F-55FC uses the DMX data connection for its Master/Slave mode. See the User Manual for information about how to connect and configure the product for master/slave operation.

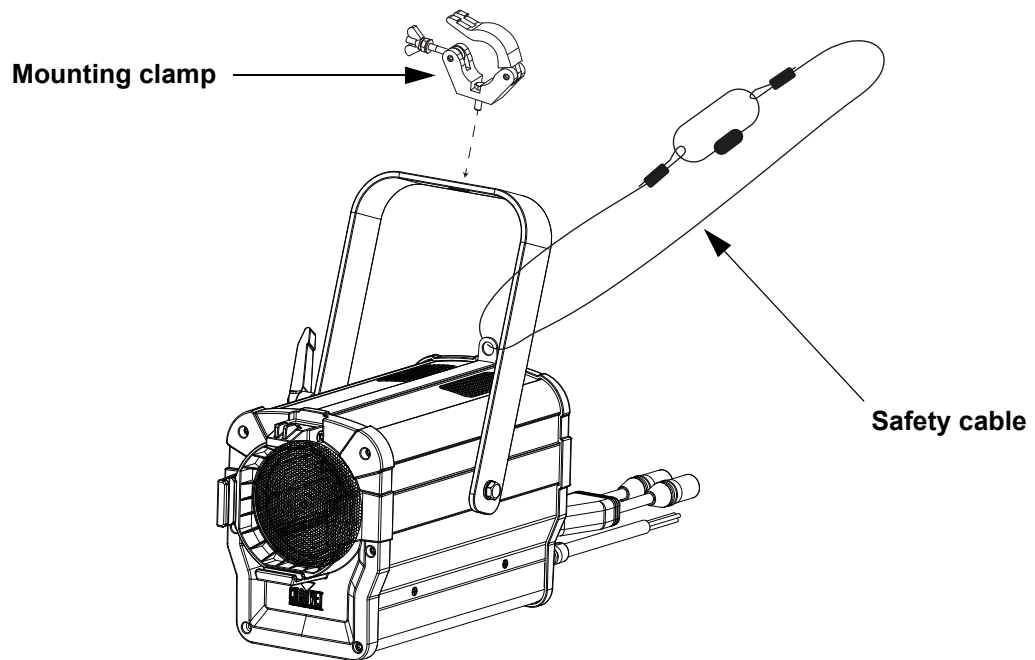
RDM (Remote Device Management)

Remote Device Management, or RDM, is a standard for allowing DMX-enabled devices to communicate bi-directionally along existing DMX cabling. Check the DMX controller’s User Manual or with the manufacturer as not all DMX controllers have this capability. The Ovation F-55FC supports RDM protocol that allows feedback to make changes to menu map options. Download the User Manual from www.chauvetprofessional.com for more details.

Mounting

Before mounting this product, read the [Safety Notes](#). Use at least one mounting point per product. Make sure the mounting clamps are capable of supporting the weight of the product. For our Chauvet line of mounting clamps, go to <http://trusst.com/productcategory/truss-clamps/>

Product Mounting Diagram



Virtual Color Wheel

The Ovation F-55FC includes a feature called the Virtual Color Wheel (VCW). This feature is available as a standalone control mode for manual use and as a control channel in select DMX personalities. More than 30 premixed colors, custom blended by Chauvet engineers, are available to call up for easier programming.

The DMX values used to mix these colors are provided below. The overall intensity of the Ovation fixture can be adjusted to more closely replicate familiar industry-standard colors. A chart is available at www.chauvetprofessional.com to compare Chauvet's premixed colors with popular gel colors. This chart is for comparison purposes only and is not an assertion that Chauvet's premixed colors match any of the gel colors listed.

Virtual Color Wheel Chart

DMX Channel Value	Display Readout	Red Value	Green Value	Blue Value	Amber Value	Lime Value
000 ⇔ 005	--	000	000	000	000	000
006 ⇔ 013	C3050 - Md Yellow	233	163	020	123	255
014 ⇔ 021	C3040 - Lt Yellow	224	158	047	255	231
022 ⇔ 028	C3240 - Amb Yellow	180	060	000	245	255
029 ⇔ 035	C2340 - VLt Amber	245	107	081	255	213
036 ⇔ 043	C2040 - Lt Amber	230	130	062	255	155
044 ⇔ 051	C2050 - Md Amber	255	000	025	255	194
052 ⇔ 059	C2060 - Dk Amber	255	000	024	255	150
060 ⇔ 067	C1050 - Lt Red	255	037	027	030	038
068 ⇔ 075	C1080 - Md Red	255	004	017	000	000
076 ⇔ 083	C1020 - NC Pink	238	135	129	255	255
084 ⇔ 091	C1030 - Md Pink	255	131	120	255	195
092 ⇔ 099	C1630 - Dk Pink	255	165	123	255	210
100 ⇔ 107	C1250 - Md Red Amber	255	000	041	195	055
108 ⇔ 115	C1060 - Dk Red Amber	255	000	045	120	030
116 ⇔ 121	C1650 - Magenta	255	050	115	255	115
122 ⇔ 130	C6170 - Dk Magenta	255	035	117	000	000
131 ⇔ 138	C6020 - Lt Lavender	127	122	142	251	255
139 ⇔ 146	C5030 - Lt Blue	000	255	197	100	255
147 ⇔ 154	C5020 - VLt Blue	158	255	189	000	255
155 ⇔ 162	C5430 - Lt Blue 2	000	255	180	000	243
163 ⇔ 170	C5070 - Blue	043	255	210	043	036
171 ⇔ 178	C5050 - Md Blue	000	255	218	000	181
179 ⇔ 186	C5060 - Dk Blue	000	210	206	000	118
187 ⇔ 194	C5690 - Indigo	065	000	210	040	055
195 ⇔ 202	C5080 - VDk Blue	000	203	230	000	040
203 ⇔ 210	C5081 - VDk Blue2	040	199	240	000	045
211 ⇔ 218	C4370 - Yel Green	027	255	028	016	104
219 ⇔ 226	C4070 - Green	049	255	055	120	090
227 ⇔ 234	C4550 - Turquoise	060	230	109	000	245
235 ⇔ 242	C4560 - Aqua	020	240	126	036	255
243 ⇔ 250	C4570 - Blue Green	000	255	079	030	053
251 ⇔ 255	--	000	000	000	000	000



Note: The colors above are simulated renditions of the color output produced compared with other similar incandescent products. Chauvet makes no guarantee of the color output accuracy.

Color Temperature Chart

DMX Channel Value	Display Readout	Red Value	Green Value	Blue Value	Amber Value	Lime Value
000 ⇔ 005	--	000	000	000	000	000
006 ⇔ 025	2800K	195	177	154	255	255
026 ⇔ 050	3000K	191	186	161	255	255
051 ⇔ 075	3200K	186	195	169	255	255
076 ⇔ 100	3500K	181	205	179	255	255
101 ⇔ 125	4000K	175	221	192	255	255
126 ⇔ 150	4500K	169	231	204	255	255
151 ⇔ 175	5000K	163	239	213	255	255
176 ⇔ 200	5600K	157	247	223	255	255
201 ⇔ 225	6000K	154	251	230	255	255
226 ⇔ 250	6500K	153	255	238	255	255
251 ⇔ 255	--	000	000	000	000	000



Note: The color temperatures above are simulated renditions of the color output produced compared with a tungsten lamp at the specified color temperature. Chauvet makes no guarantee of the color output accuracy.

Control Panel Description

Button	Function
<MENU>	Exits from the current menu or function
<ENTER>	Enables the currently displayed menu or sets the currently selected value into the selected function
<UP>	Navigates upwards through the menu list or increases the numeric value when in a function
<DOWN>	Navigates downwards through the menu list or decreases the numeric value when in a function

Menu Map

Main Level	Programming Levels		Description	
DMX Address	Address	001–512*	Selects starting address (*highest channel restricted to personality chosen)	
DMX Channel	1Ch	Virtual Color Wheel	1-channel: dimmer	
		Color Temperature		
		Manual Color Mixer		
		3Ch	3-channel: dimmer, virtual color wheel, color temperature	
		5Ch	5-channel: RGBAL	
		7Ch	7-channel: RGBAL, dimmer, strobe	
		10Ch	10-channel: 16-bit dimmer, RGBAL, virtual color wheel, color temperature, strobe	
		12Ch	12-channel: RGBAL, dimmer, virtual color wheel, color temperature, strobe, auto program, auto speed, control	
		13Ch	13-channel: 16-bit RGBAL and dimmer, strobe	
	16Ch	16-channel: 16-bit RGBAL and dimmer, virtual color wheel, color temperature, strobe, control		
	HSV	3-channel: hue, saturation, value		
Virtual Color Wheel	Virtual Color Wheel	C3050 - Md Yellow C3040 - Lt Yellow C3240 - Amb Yellow C2340 - VLt Amber C2040 - Lt Amber C2050 - Md Amber C2060 - Dk Amber C1050 - Lt Red C1080 - Md Red C1020 - NC Pink C1030 - Md Pink C1630 - Dk Pink C1250 - Md Red Amber C1060 - Dk Red Amber C1650 - Magenta C6170 - Dk Magenta C6020 - Lt Lavender C5030 - Lt Blue C5020 - VLt Blue C5430 - Lt Blue 2 C5070 - Blue C5050 - Md Blue C5060 - Dk Blue C5690 - Indigo C5080 - VDk Blue C5081 - VDk Blue 2 C4370 - Yel Green C4070 - Green C4550 - Turquoise C4560 - Aqua C4570 - Blue Green	Dimmer 0–255	Virtual Color Wheel simulates the output of each gel color. Refer to the Virtual Color Wheel Chart section for specific values.

QUICK REFERENCE GUIDE



EN

Main Level	Programming Levels		Description	
Virtual Color Wheel (cont.)	Color Temperature	2800K	Dimmer 0–255	Preset white color temperatures. Emulates a tungsten lamp at the specified color temperature. Refer to the Color Temperature Chart section for specific values.
		3000K		
		3200K		
		3500K		
		4000K		
		4500K		
		5000K		
		5600K		
		6000K		
	6500K			
Manual Color Mixer		Red	0–255	Combine red, green, blue, amber, and lime to make a custom color (0–100%)
		Green		
		Blue		
		Amber		
		Lime		
Auto Show	Auto 1–5	1–100	Selects automatic programs and auto speed	
Red Shift	On	Off	Mimics halogen lamp dimming	
Master/Slave	Master		Master mode	
	Slave		Slave mode	
Dimmer Curve	SCurve		Sets the dimmer curve	
	Linear			
	Square			
	Inverse Square			
Dimmer Mode	Off		Linear dimmer	
	Dimmer 1–3		Dimming curves, from fast (Dimmer 1) to slow (Dimmer 3)	
White Balance	Manual	Off	125–255	Uses factory default white setting
		Red		Sets red LED maximum value
		Green		Sets green LED maximum value
		Blue		Sets blue LED maximum value
		Amber		Sets amber LED maximum value
		Lime		Sets lime LED maximum value
LED Frequency		600Hz		Selects the PWM output frequency
		1200Hz		
		2000Hz		
		4000Hz		
		6000Hz		
		25KHz		
Back Light		10S		Turns off display backlight after 10 seconds of inactivity
		30S		Turns off display backlight after 30 seconds of inactivity
		2Min		Turns off display backlight after 2 minutes of inactivity
		Always On		Display backlight always on
Information	Fixture Hours	----H		Shows total product hours
	LED Hours	----H		Shows total LED hours
	Version	V_._		Shows installed software version
	UID	-----		Shows product UID
Reset Factory	No			Reset to factory defaults
	Yes			

DMX Values

HSV

Channel	Function	Value	Percent/Setting
1	Hue	000 ⇔ 255	0–100%
2	Saturation	000 ⇔ 255	0–100%
3	Value	000 ⇔ 255	0–100%

16Ch

Channel	Function	Value	Percent/Setting
1	Dimmer	000 ⇔ 255	0–100%
2	Dimmer fine	000 ⇔ 255	0–100%
3	Red	000 ⇔ 255	0–100%
4	Red fine	000 ⇔ 255	0–100%
5	Green	000 ⇔ 255	0–100%
6	Green fine	000 ⇔ 255	0–100%
7	Blue	000 ⇔ 255	0–100%
8	Blue fine	000 ⇔ 255	0–100%
9	Amber	000 ⇔ 255	0–100%
10	Amber fine	000 ⇔ 255	0–100%
11	Lime	000 ⇔ 255	0–100%
12	Lime	000 ⇔ 255	0–100%
13	Strobe	000 ⇔ 010 011 ⇔ 255	No function Strobe, slow to fast
14	Virtual color wheel	000 ⇔ 255	Refer to the Virtual Color Wheel Chart
15	Color temperature	000 ⇔ 255	Refer to the Color Temperature Chart
12	Control (hold for 3 seconds)	000 ⇔ 007 008 ⇔ 015 016 ⇔ 023 024 ⇔ 031 032 ⇔ 039 040 ⇔ 047 048 ⇔ 055 056 ⇔ 063 064 ⇔ 071 072 ⇔ 079 080 ⇔ 087 088 ⇔ 095 096 ⇔ 255	No function Dimmer reset Red shift on Red shift off S-curve dimmer Linear dimmer Square dimmer curve Inverse square dimmer curve Dimmer speed mode OFF Dimmer speed 1 (fastest) Dimmer speed 2 Dimmer speed 3 (slowest) Reserved for future use

QUICK REFERENCE GUIDE



EN

13Ch

Channel	Function	Value	Percent/Setting
1	Dimmer	000 ⇔ 255	0–100%
2	Dimmer fine	000 ⇔ 255	0–100%
3	Red	000 ⇔ 255	0–100%
4	Red fine	000 ⇔ 255	0–100%
5	Green	000 ⇔ 255	0–100%
6	Green fine	000 ⇔ 255	0–100%
7	Blue	000 ⇔ 255	0–100%
8	Blue fine	000 ⇔ 255	0–100%
9	Amber	000 ⇔ 255	0–100%
10	Amber fine	000 ⇔ 255	0–100%
11	Lime	000 ⇔ 255	0–100%
12	Lime	000 ⇔ 255	0–100%
13	Strobe	000 ⇔ 010	No function
		011 ⇔ 255	Strobe, slow to fast

12Ch

Channel	Function	Value	Percent/Setting
1	Dimmer	000 ⇔ 255	0–100%
2	Red	000 ⇔ 255	0–100%
3	Green	000 ⇔ 255	0–100%
4	Blue	000 ⇔ 255	0–100%
5	Amber	000 ⇔ 255	0–100%
6	Lime	000 ⇔ 255	0–100%
7	Strobe	000 ⇔ 010	No function
		011 ⇔ 255	Strobe, slow to fast
8	Virtual color wheel	000 ⇔ 255	Refer to the Virtual Color Wheel Chart
9	Color temperature	000 ⇔ 255	Refer to the Color Temperature Chart
10	Auto programs	000 ⇔ 010	No function
		011 ⇔ 060	Auto program 1
		061 ⇔ 110	Auto program 2
		111 ⇔ 160	Auto program 3
		161 ⇔ 210	Auto program 4
		211 ⇔ 255	Auto program 5
11	Auto speed	000 ⇔ 255	0–100%
12	Control (hold for 3 seconds)	000 ⇔ 007	No function
		008 ⇔ 015	Dimmer reset
		016 ⇔ 023	Red shift on
		024 ⇔ 031	Red shift off
		032 ⇔ 039	S-curve dimmer
		040 ⇔ 047	Linear dimmer
		048 ⇔ 055	Square dimmer curve
		056 ⇔ 063	Inverse square dimmer curve
		064 ⇔ 071	Dimmer speed mode OFF
		072 ⇔ 079	Dimmer speed 1 (fastest)
		080 ⇔ 087	Dimmer speed 2
		088 ⇔ 095	Dimmer speed 3 (slowest)
096 ⇔ 255	Reserved for future use		

10Ch

Channel	Function	Value	Percent/Setting
1	Dimmer	000 ⇔ 255	0–100%
2	Dimmer fine	000 ⇔ 255	0–100%
3	Red	000 ⇔ 255	0–100%
4	Green	000 ⇔ 255	0–100%
5	Blue	000 ⇔ 255	0–100%
6	Amber	000 ⇔ 255	0–100%
7	Lime	000 ⇔ 255	0–100%
8	Strobe	000 ⇔ 010 011 ⇔ 255	No function Strobe, slow to fast
9	Virtual color wheel	000 ⇔ 255	Refer to the Virtual Color Wheel Chart
10	Color temperature	000 ⇔ 255	Refer to the Color Temperature Chart

7Ch

Channel	Function	Value	Percent/Setting
1	Dimmer	000 ⇔ 255	0–100%
2	Red	000 ⇔ 255	0–100%
3	Green	000 ⇔ 255	0–100%
4	Blue	000 ⇔ 255	0–100%
5	Amber	000 ⇔ 255	0–100%
6	Lime	000 ⇔ 255	0–100%
7	Strobe	000 ⇔ 010 011 ⇔ 255	No function Strobe, slow to fast

5Ch

Channel	Function	Value	Percent/Setting
1	Red	000 ⇔ 255	0–100%
2	Green	000 ⇔ 255	0–100%
3	Blue	000 ⇔ 255	0–100%
4	Amber	000 ⇔ 255	0–100%
5	Lime	000 ⇔ 255	0–100%

3Ch

Channel	Function	Value	Percent/Setting
1	Dimmer	000 ⇔ 255	0–100%
2	Virtual color wheel	000 ⇔ 255	Refer to the Virtual Color Wheel Chart
3	Color temperature	000 ⇔ 255	Refer to the Color Temperature Chart

1Ch

Channel	Function	Value	Percent/Setting
1	Dimmer	000 ⇔ 255	0–100% (color set through menu)

Acerca de Esta Guía

La Guía de Referencia Rápida (GRR) del Ovation F-55FC contiene información básica sobre el producto, como montaje, opciones de menú y valores DMX. Descargue el Manual de Usuario de www.chauvetprofessional.com para información más detallada.

Exención de Responsabilidad

La información y especificaciones contenidas en esta GRR están sujetas a cambio sin previo aviso.

GARANTÍA LIMITADA

PARA VER EL REGISTRO DE GARANTÍA Y LOS TÉRMINOS Y CONDICIONES COMPLETOS, VISITE NUESTRO SITIO WEB.

Para clientes en los Estados Unidos y México: www.chauvetlighting.com/warranty-registration.

Para clientes en Reino Unido, República de Irlanda, Bélgica, Países Bajos, Luxemburgo, Francia y Alemania: www.chauvetlighting.eu/warranty-registration.

Chauvet garantiza que este producto estará libre de defectos de material y mano de obra en condiciones de uso normales, durante el periodo especificado, sujeto siempre a las exclusiones y limitaciones establecidas en la garantía limitada completa de nuestro sitio web. Esta garantía se concede únicamente al comprador original del producto y no es transferible. Para ejercer los derechos que otorga esta garantía, usted debe proporcionar una prueba de compra en forma de un recibo de compra original, expedido por un distribuidor autorizado, donde figure el nombre del producto y la fecha de compra. NO EXISTEN OTRAS GARANTÍAS EXPRESAS NI IMPLÍCITAS. Esta garantía le otorga derechos legales específicos. Es posible que a usted le asistan otros derechos, que variarán dependiendo del estado o del país. Esta garantía solamente es válida en los Estados Unidos, Reino Unido, República de Irlanda, Bélgica, Países Bajos, Luxemburgo, Francia, Alemania y México. Para conocer los términos de garantía en otros países, consulte a su distribuidor local.

Notas de Seguridad

- NO abra este producto. No contiene piezas reparables por el usuario.
- NO mire a la fuente de luz cuando el producto esté encendido.
- Para evitar un desgaste innecesario y alargar su vida útil, desconecte complemente el producto de la alimentación, mediante el interruptor o desenchufándolo, durante los periodos en los que no se use.
- Cuidado: cuando transfiera el producto desde ambientes con temperatura extrema (p. ej., del remolque frío de un camión a una sala de baile con calor y humedad), puede formarse condensación en la electrónica interna del producto. Para evitar que se produzca una avería, deje que el producto se aclimate completamente al ambiente antes de conectar la alimentación.
- ¡CUIDADO! La carcasa de este producto está caliente cuando las luces están en funcionamiento.
- Monte este producto en una ubicación con ventilación adecuada, al menos a 20" (50 cm) de superficies adyacentes.
- NO deje ningún material inflamable a menos de 50 cm de este producto mientras esté funcionando o conectado a la alimentación.
- USE un cable de seguridad cuando monte este producto en lo alto.
- NO ponga en funcionamiento este producto en el exterior o en cualquier ubicación en la que el polvo, calor excesivo, agua o humedad puedan afectarlo.
- NO ponga en funcionamiento este producto si sospecha que la carcasa, lentes o cables están dañados.
- NO conecte este producto a un atenuador o reostato.
- Conecte este producto SOLO a un circuito con toma de tierra y protegido.
- Use SOLAMENTE los soportes de colgar/montar o las asas para mover este producto.
- En caso de un problema grave de funcionamiento, deje de usarlo inmediatamente.
- La máxima temperatura ambiente es de 113 °F (45 °C). No haga funcionar este producto a temperaturas más altas.

Cumplimiento de la FCC

Este dispositivo cumple la parte 15, parte B de las normas FCC. El funcionamiento está supeditado al cumplimiento de estas dos condiciones:

1. Este dispositivo no puede causar interferencias perjudiciales; y
2. Este dispositivo debe aceptar cualquier interferencia recibida, incluyendo las interferencias que puedan causar un funcionamiento no deseado.

Cualquier cambio o modificación que no haya sido expresamente autorizado por la parte responsable de conformidad puede anular la potestad del usuario para hacer funcionar el equipo.

Contacto

Fuera de EE.UU., Reino Unido, Irlanda, Francia, Alemania, México o Benelux, póngase en contacto con su distribuidor para solicitar asistencia o devolver el producto. Visite [Contact Us](#) para información de contacto.

Qué va Incluido

- Ovation F-55FC
- Marco de Gel
- Guía de Referencia Rápida

Corriente Alterna

Este producto tiene una fuente de alimentación con detección automática que puede funcionar con un rango de tensión de entrada de 100 a 240 VCA, 50/60 Hz.

Enchufe CA

Conexión	Cable (EE.UU.)	Cable (Europa)	Color del tornillo
CA Cargado	Negro	Marrón	Amarillo/Latón
CA Neutro	Blanco	Azul	Plata
CA Tierra	Verde/Amarillo	Verde/Amarillo	Verde



Para evitar un desgaste innecesario y alargar su vida útil, desconecte complemente el producto de la alimentación, mediante el interruptor o desenchufándolo, durante los periodos en los que no se use.

Sustitución del Fusible

1. Desconecte el producto de la toma de corriente.
2. Con un destornillador de estrella N°2 desatornille la tapa del portafusibles.
3. Quite el fusible fundido del portafusibles y sustitúyalo con otro del mismo tipo y categoría.
4. Vuelva a atornillar la tapa del portafusibles en su sitio y conecte de nuevo la alimentación.

Enlace DMX

El Ovation F-55FC funcionará con un controlador DMX usando una conexión serie DMX normal. Hay un manual DMX disponible en www.chauvetprofessional.com.

Conexión DMX

El Ovation F-55FC usa una conexión de datos DMX normal para sus personalidades: **1Ch, 3Ch, 5Ch, 7Ch, 10Ch, 12Ch, 13Ch, 16Ch** y **HSV**. Vea el Manual de Usuario para conectar y configurar para funcionamiento DMX.

Conexión Maestro/Esclavo

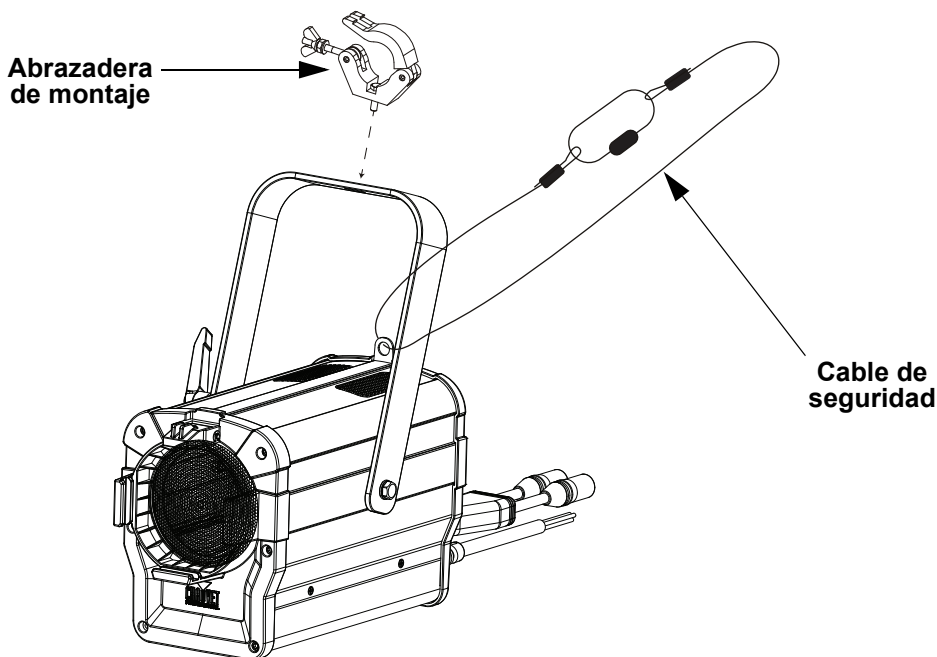
El Ovation F-55FC usa la conexión de datos DMX para su modo Maestro/Esclavo. Vea el Manual de Usuario para conectar y configurar para funcionamiento Maestro/Esclavo.

RDM (gestión remota del dispositivo)

Remote Device Management (gestión remota del dispositivo) o RDM, es un estándar que permite a los dispositivos con capacidad DMX una comunicación bidireccional por un cableado DMX existente. El Ovation F-55FC admite protocolo RDM, que posibilita información para supervisar cambiar las opciones del mapa de menú. Descargue el manual de usuario de www.chauvetprofessional.com para una información más detallada.

Montaje

Antes de montar este producto, lea las [Notas de Seguridad](#). Asegúrese de que las abrazaderas de montaje son capaces de soportar el peso del producto. Para nuestra línea Chauvet de abrazaderas de montaje, visite <http://trusst.com/productcategory/truss-clamps/>

Diagrama de Montaje del Producto


Rueda de Color Virtual (VCW)

El Ovation F-55FC incluye una función de rueda de color virtual llamada Virtual Color Wheel (VCW). Esta función está disponible como modo de control independiente para uso manual y también como canal de control en algunas personalidades DMX del dispositivo. Más de 30 colores premezclados, elaborados por nuestros ingenieros, están disponibles para facilitar la programación.

Los valores DMX utilizados para mezclar estos colores se indican más abajo. Puede ajustar la intensidad general del dispositivo Ovation para reproducir más fielmente los colores a los que esté habituado. Hay un gráfico a su disposición en nuestro sitio web www.chauvetprofessional.com para comparar nuestros colores premezclados con los colores de gel más populares. Este gráfico sirve solamente para comparar y no implica que nuestros colores premezclados coincidan exactamente con los colores de gel listados.

Tabla de colores VCW

Valor del Canal DMX	Lectura en Pantalla	Valor Rojo	Valor Verde	Valor Azul	Valor Ámbar	Valor Limón
000 ⇔ 005	--	000	000	000	000	000
006 ⇔ 013	C3050 - Md Yellow	233	163	020	123	255
014 ⇔ 021	C3040 - Lt Yellow	224	158	047	255	231
022 ⇔ 028	C3240 - Amb Yellow	180	060	000	245	255
029 ⇔ 035	C2340 - V Lt Amber	245	107	081	255	213
036 ⇔ 043	C2040 - Lt Amber	230	130	062	255	155
044 ⇔ 051	C2050 - Md Amber	255	000	025	255	194
052 ⇔ 059	C2060 - Dk Amber	255	000	024	255	150
060 ⇔ 067	C1050 - Lt Red	255	037	027	030	038
068 ⇔ 075	C1080 - Md Red	255	004	017	000	000
076 ⇔ 083	C1020 - NC Pink	238	135	129	255	255
084 ⇔ 091	C1030 - Md Pink	255	131	120	255	195
092 ⇔ 099	C1630 - Dk Pink	255	165	123	255	210
100 ⇔ 107	C1250 - Md Red Amber	255	000	041	195	055
108 ⇔ 115	C1060 - Dk Red Amber	255	000	045	120	030
116 ⇔ 121	C1650 - Magenta	255	050	115	255	115
122 ⇔ 130	C6170 - Dk Magenta	255	035	117	000	000
131 ⇔ 138	C6020 - Lt Lavender	127	122	142	251	255
139 ⇔ 146	C5030 - Lt Blue	000	255	197	100	255
147 ⇔ 154	C5020 - V Lt Blue	158	255	189	000	255
155 ⇔ 162	C5430 - Lt Blue 2	000	255	180	000	243
163 ⇔ 170	C5070 - Blue	043	255	210	043	036
171 ⇔ 178	C5050 - Md Blue	000	255	218	000	181
179 ⇔ 186	C5060 - Dk Blue	000	210	206	000	118
187 ⇔ 194	C5690 - Indigo	065	000	210	040	055
195 ⇔ 202	C5080 - V Dk Blue	000	203	230	000	040
203 ⇔ 210	C5081 - V Dk Blue 2	040	199	240	000	045
211 ⇔ 218	C4370 - Yel Green	027	255	028	016	104
219 ⇔ 226	C4070 - Green	049	255	055	120	090
227 ⇔ 234	C4550 - Turquoise	060	230	109	000	245
235 ⇔ 242	C4560 - Aqua	020	240	126	036	255
243 ⇔ 250	C4570 - Blue Green	000	255	079	030	053
251 ⇔ 255	--	000	000	000	000	000



Nota: Los colores listados son interpretaciones simuladas de la emisión de color generada en comparación con otros productos incandescentes similares. Chauvet no garantiza la exactitud del color emitido.

Gráfico de temperaturas de color

Valor del Canal DMX	Lectura en Pantalla	Valor Rojo	Valor Verde	Valor Azul	Valor Ámbar	Valor Limón
000 ⇔ 005	--	000	000	000	000	000
006 ⇔ 025	2800K	195	177	154	255	255
026 ⇔ 050	3000K	191	186	161	255	255
051 ⇔ 075	3200K	186	195	169	255	255
076 ⇔ 100	3500K	181	205	179	255	255
101 ⇔ 125	4000K	175	221	192	255	255
126 ⇔ 150	4500K	169	231	204	255	255
151 ⇔ 175	5000K	163	239	213	255	255
176 ⇔ 200	5600K	157	247	223	255	255
201 ⇔ 225	6000K	154	251	230	255	255
226 ⇔ 250	6500K	153	255	238	255	255
251 ⇔ 255	--	000	000	000	000	000



Nota: Las temperaturas de color que aparecen arriba son interpretaciones simuladas de la emisión de color producida cuando se compara con una lámpara de tungsteno a la temperatura de color especificada. Chauvet no garantiza la exactitud del color emitido.

Descripción del Panel de Control

Botón	Función
<MENU>	Sale del menú o función actual
<ENTER>	Habilita el menú actualmente en pantalla o configura el valor seleccionado actualmente dentro de la función seleccionada
<UP>	Navega hacia arriba por la lista de menú o aumenta el valor numérico cuando está en una función
<DOWN>	Navega hacia abajo por la lista de menú o disminuye el valor numérico cuando está en una función

Mapa de Menú

Nivel Principal	Niveles de Programación		Descripción	
DMX Address	Address	001–512*	Selecciona la dirección de inicio (*canal más alto restringido a la elección de personalidad)	
DMX Channel	1Ch	Virtual Color Wheel	1 canales: atenuador	
		Color Temperature		
		Manual Color Mixer		
		3Ch	3 canales: atenuador, VCW, temperatura de color, cambio de rojo	
		5Ch	5 canales: RVAAL	
		7Ch	7 canales: RVAAL, atenuador, estroboscopio	
		10Ch	10 canales: RVAAL, atenuador, fino atenuador, estroboscopio, VCW, temperatura de color	
		12Ch	12 canales: RVAAL, atenuador, estroboscopio, VCW, temperatura de color, programas automática, velocidad automática, control	
		13Ch	13 canales: 16-bit-RVAAL, atenuador, estroboscopio	
		16Ch	16 canales: RVAAL, 16-bit-control RVAAL, atenuador, fino atenuador, estroboscopio, VCW, temperatura de color, control	
	HSV	3 canales: hue, saturation, value		
Virtual Color Wheel	Virtual Color Wheel	C3050 - Md Yellow C3040 - Lt Yellow C3240 - Amb Yellow C2340 - VLt Amber C2040 - Lt Amber C2050 - Md Amber C2060 - Dk Amber C1050 - Lt Red C1080 - Md Red C1020 - NC Pink C1030 - Md Pink C1630 - Dk Pink C1250 - Md Red Amber C1060 - Dk Red Amber C1650 - Magenta C6170 - Dk Magenta C6020 - Lt Lavender C5030 - Lt Blue C5020 - VLt Blue C5430 - Lt Blue 2 C5070 - Blue C5050 - Md Blue C5060 - Dk Blue C5690 - Indigo C5080 - Vdk Blue C5081 - Vdk Blue 2 C4370 - Yel Green C4070 - Green C4550 - Turquoise C4560 - Aqua C4570 - Blue Green	Dimmer 0–255	Rueda de Color Virtual simula la emisión de cada gel de color. Consulte la sección Tabla de colores VCW para ver los valores específicos.

GUÍA DE REFERENCIA RÁPIDA



ES

Nivel Principal	Niveles de Programación		Descripción	
Virtual Color Wheel (cont.)	Color Temperature	2800K	Dimmer 0–255	Temperaturas de color blanco Emula una lámpara de tungsteno a la temperatura de color especificada. Consulte el apartado Gráfico de temperaturas de color para ver valores concretos
		3000K		
		3200K		
		3500K		
		4000K		
		4500K		
		5000K		
		5600K		
	6000K			
	6500K			
Manual Color Mixer	Red	0–255	Combina rojo, verde, azul, ámbar y lime para generar un color personalizado (0–100%)	
	Green			
	Blue			
	Amber			
	Lime			
Auto Show	Auto 1–5	1–100	Selecciona programas automáticos y velocidad de programas automáticos	
Red Shift	On	Off	Imita la atenuación de una lámpara halógena	
Master/Slave	Master		Modo maestro	
	Slave		Modo esclavo	
Dimmer Curve	S Curve		Configura la curva del atenuador	
	Linear			
	Square			
	Inverse Square			
Dimmer Mode	Off		Atenuador lineal	
	Dimmer 1–3		Curvas de atenuador, rápido (Dimmer 1) a lento (Dimmer 3)	
White Balance	Off		Utiliza la configuración de blanco predeterminada de fábrica	
	Manual	Red	125–255	Establece el valor máximo de LED rojo
		Green		Establece el valor máximo de LED verde
		Blue		Establece el valor máximo de LED azul
		Amber		Establece el valor máximo de LED ámbar
		Lime		Establece el valor máximo de LED lime
LED Frequency	600Hz		Selecciona la frecuencia de emisión PWM	
	1200Hz			
	2000Hz			
	4000Hz			
	6000Hz			
	25KHz			
Back Light	10S		Retro-iluminación de la pantalla se apaga después de 10 segundos de inactividad	
	30S		Retro-iluminación de la pantalla se apaga después de 30 segundos de inactividad	
	2Min		Retro-iluminación de la pantalla se apaga después de 2 minutos de inactividad	
	Always On		Retro-iluminación de la pantalla siempre activa	
Information	Fixture Hours	----_H	Muestra el nombre total de las horas del producto	
	LED Hours	----_H	Muestra el nombre total de las horas del LED	
	Version	V_--_V_--	Muestra instalada la versión de software	
	UID	-----	Muestra el ID del dispositivo	
Reset Factory	No		Muestra actual UID #	
	Yes		Reinicia a la configuración de fábrica	

Valores DMX
HSV

Canal	Función	Valor	Porcentaje/Configuración
1	Hue	000 ⇔ 255	0–100%
2	Saturation	000 ⇔ 255	0–100%
3	Value	000 ⇔ 255	0–100%

16Ch

Canal	Función	Valor	Porcentaje/Configuración
1	Atenuador	000 ⇔ 255	0–100%
2	Atenuador fino	000 ⇔ 255	0–100%
3	Rojo	000 ⇔ 255	0–100%
4	Rojo fino	000 ⇔ 255	0–100%
5	Verde	000 ⇔ 255	0–100%
6	Verde fino	000 ⇔ 255	0–100%
7	Azul	000 ⇔ 255	0–100%
8	Azul fino	000 ⇔ 255	0–100%
9	Ámbar	000 ⇔ 255	0–100%
10	Ámbar fino	000 ⇔ 255	0–100%
11	Limón	000 ⇔ 255	0–100%
12	Limón fino	000 ⇔ 255	0–100%
13	Estroboscopio	000 ⇔ 010 011 ⇔ 255	Sin función Lento a rápido
14	Rueda de Color Virtual	000 ⇔ 255	Consulte la sección Tabla de colores VCW
15	Temperatura de Color	000 ⇔ 255	Consulte el apartado Gráfico de temperaturas de color
16	Control (mantenga para 3 segundos)	000 ⇔ 007 008 ⇔ 015 016 ⇔ 023 024 ⇔ 031 032 ⇔ 039 040 ⇔ 047 048 ⇔ 055 056 ⇔ 063 064 ⇔ 071 072 ⇔ 079 080 ⇔ 087 088 ⇔ 095 096 ⇔ 255	Sin función Reiniciar el atenuador Cambio a rojo apagado Cambio a rojo encendido Curva de atenuador curva-S Curva de atenuador lineal Curva de atenuador cuadrado Curva atenuador cuadrado inverso Modo velocidad del atenuador desactivado Velocidad de atenuador 1 (rápida) Velocidad de atenuador 2 Velocidad de atenuador 3 (lenta) Reservado para utilización futura

ES

13Ch

Canal	Función	Valor	Porcentaje/Configuración
1	Atenuador	000 ⇔ 255	0–100%
2	Atenuador fino	000 ⇔ 255	0–100%
3	Rojo	000 ⇔ 255	0–100%
4	Rojo fino	000 ⇔ 255	0–100%
5	Verde	000 ⇔ 255	0–100%
6	Verde fino	000 ⇔ 255	0–100%
7	Azul	000 ⇔ 255	0–100%
8	Azul fino	000 ⇔ 255	0–100%
9	Ámbar	000 ⇔ 255	0–100%
10	Ámbar fino	000 ⇔ 255	0–100%
11	Limón	000 ⇔ 255	0–100%
12	Limón fino	000 ⇔ 255	0–100%
13	Estroboscopio	000 ⇔ 010 011 ⇔ 255	Sin función Lento a rápido

12Ch

Canal	Función	Valor	Porcentaje/Configuración
1	Atenuador	000 ⇔ 255	0–100%
2	Rojo	000 ⇔ 255	0–100%
3	Verde	000 ⇔ 255	0–100%
4	Azul	000 ⇔ 255	0–100%
5	Ámbar	000 ⇔ 255	0–100%
6	Limón	000 ⇔ 255	0–100%
7	Estroboscopio	000 ⇔ 010 011 ⇔ 255	Sin función Lento a rápido
8	Rueda de Color Virtual	000 ⇔ 255	Consulte la sección Tabla de colores VCW
9	Temperatura de Color	000 ⇔ 255	Consulte el apartado Gráfico de temperaturas de color
10	Programas Automática	000 ⇔ 010 011 ⇔ 060 061 ⇔ 110 111 ⇔ 160 161 ⇔ 210 211 ⇔ 255	No function Auto programas 1 Auto programas 2 Auto programas 3 Auto programas 4 Auto programas 5
11	Velocidad Automática	000 ⇔ 255	0–100%
12	Control (mantenga para 3 segundos)	000 ⇔ 007 008 ⇔ 015 016 ⇔ 023 024 ⇔ 031 032 ⇔ 039 040 ⇔ 047 048 ⇔ 055 056 ⇔ 063 064 ⇔ 071 072 ⇔ 079 080 ⇔ 087 088 ⇔ 095 096 ⇔ 255	Sin función Reiniciar el atenuador Cambio a rojo apagado Cambio a rojo encendido Curva de atenuador curva-S Curva de atenuador lineal Curva de atenuador cuadrado Curva atenuador cuadrado inverso Modo velocidad del atenuador desactivado Velocidad de atenuador 1 (rápida) Velocidad de atenuador 2 Velocidad de atenuador 3 (lenta) Reservado para utilización futura

10Ch

Canal	Función	Valor	Porcentaje/Configuración
1	Atenuador	000 ⇔ 255	0–100%
2	Atenuador fino	000 ⇔ 255	0–100%
3	Rojo	000 ⇔ 255	0–100%
4	Verde	000 ⇔ 255	0–100%
5	Azul	000 ⇔ 255	0–100%
6	Ámbar	000 ⇔ 255	0–100%
7	Limón	000 ⇔ 255	0–100%
8	Estroboscopio	000 ⇔ 010 011 ⇔ 255	Sin función Lento a rápido
9	Rueda de Color Virtual	000 ⇔ 255	Consulte la sección Tabla de colores VCW
10	Temperatura de Color	000 ⇔ 255	Consulte el apartado Gráfico de temperaturas de color

7Ch

Canal	Función	Valor	Porcentaje/Configuración
1	Atenuador	000 ⇔ 255	0–100%
2	Rojo	000 ⇔ 255	0–100%
3	Verde	000 ⇔ 255	0–100%
4	Azul	000 ⇔ 255	0–100%
5	Ámbar	000 ⇔ 255	0–100%
6	Limón	000 ⇔ 255	0–100%
7	Estroboscopio	000 ⇔ 010 011 ⇔ 255	Sin función Lento a rápido

5Ch

Canal	Función	Valor	Porcentaje/Configuración
1	Rojo	000 ⇔ 255	0–100%
2	Verde	000 ⇔ 255	0–100%
3	Azul	000 ⇔ 255	0–100%
4	Ámbar	000 ⇔ 255	0–100%
5	Limón	000 ⇔ 255	0–100%

3Ch

Canal	Función	Valor	Porcentaje/Configuración
1	Atenuador	000 ⇔ 255	0–100%
2	Rueda de color virtual	000 ⇔ 255	Consulte la sección Tabla de colores VCW
3	Temperatura de color	000 ⇔ 255	Consulte el apartado Gráfico de temperaturas de color

1Ch

Canal	Función	Valor	Porcentaje/Configuración
1	Atenuador	000 ⇔ 255	0–100% (configura el color desde la pantalla de menú)

À Propos de ce Manuel

Le Manuel de Référence du Ovation F-55FC (MR) reprend des informations de base sur cet appareil notamment en matière de connexions, montage, options de menu et valeurs DMX. Télécharger le Manuel d'Utilisation sur www.chauvetprofessional.com pour de plus amples informations.

Clause de Non-Responsabilité

Les informations et caractéristiques contenues dans ce manuel sont sujettes à changement sans préavis.

GARANTIE LIMITÉE

VEUILLEZ VISITER NOTRE SITE INTERNET POUR CONSULTER LES MODALITÉS D'ENREGISTREMENT DE LA GARANTIE ET LES CONDITIONS GÉNÉRALES COMPLÈTES.

Pour les clients aux États-Unis et au Mexique: www.chauvetlighting.com/warranty-registration.

Pour les clients du Royaume-Uni, de la République d'Irlande, de la Belgique, des Pays-Bas, du Luxembourg, de la France et de l'Allemagne: www.chauvetlighting.eu/warranty-registration.

Chauvet garantit que cet appareil est exempt de défauts de matériaux et de fabrication dans des conditions normales d'utilisation, pendant la période spécifiée dans la garantie limitée complète consultable sur notre site Internet et sous réserve des exclusions et limitations qui y sont énoncées. Cette garantie ne s'applique qu'à l'acheteur initial du produit et n'est pas transférable. Pour exercer les droits prévus par cette garantie, vous devez fournir une preuve d'achat sous la forme d'un reçu de vente original d'un revendeur autorisé qui indique le nom du produit et la date d'achat. IL N'EXISTE AUCUNE AUTRE GARANTIE EXPRESSE OU IMPLICITE. Cette garantie vous confère des droits légaux spécifiques. Vous pouvez également bénéficier d'autres droits qui varient selon les états et les pays. Cette garantie n'est valable qu'aux États-Unis, au Royaume-Uni, en République d'Irlande, en Belgique, aux Pays-Bas, au Luxembourg, en France, en Allemagne et au Mexique. Pour connaître les conditions de garantie dans d'autres pays, veuillez consulter votre revendeur local.

Consignes de Sécurité

- N'ouvrez PAS cet appareil. Il ne contient aucun composant susceptible d'être réparé par l'utilisateur.
- Ne regardez PAS la source lumineuse lorsque l'appareil fonctionne.
- N'utilisez PAS ce produit en extérieur ou tout autre endroit où de la poussière, une chaleur excessive, de l'eau ou de l'humidité pour en affecter le fonctionnement (IP20).
- Ne laissez AUCUNE source inflammable dans un rayon de 50 cm de l'appareil lorsque celui-ci fonctionne.
- N'utilisez PAS cet appareil si le boîtier, les lentilles ou les câbles vous semblent endommagés.
- Ne connectez PAS cet appareil ni à un gradateur ni à un rhéostat.
- ATTENTION : le boîtier de cet appareil est brûlant lors du fonctionnement.
- ATTENTION : Lorsque l'appareil est transféré d'un environnement à température extrême à un autre (par exemple d'un camion froid vers une salle de bal chaude et humide), de la condensation peut se former sur les composants électriques internes. Pour éviter de causer des dommages, laissez l'appareil s'acclimater entièrement au milieu environnant avant de le mettre sous tension.
- Utilisez TOUJOURS un câble de sécurité lorsque vous montez cet appareil en hauteur.
- Connectez UNIQUEMENT cet appareil à un circuit protégé et relié à la terre.
- Transportez/Suspendez cet appareil UNIQUEMENT par le support de montage dont il est doté.
- Montez toujours cet appareil dans un endroit bien ventilé, à au moins, 20 pouces (50 cm) des surfaces adjacentes.
- Durant les périodes de non-utilisation, pour éviter tout usure inutile et pour prolonger la durée de vie, déconnectez-entièrement l'appareil en le débranchant de l'alimentation électrique ou en coupant le disjoncteur.
- En cas de sérieux problèmes de fonctionnement, arrêtez le système immédiatement.
- La température ambiante maximale supportée par cet appareil est de 113 °F (45 °C). Ne le faites pas fonctionner à des températures plus élevées.

Conformité FCC

Cet appareil est conforme à la partie 15, sous-partie B du règlement de la FCC. L'utilisation est soumise aux deux conditions suivantes :

1. Cet appareil ne doit pas causer d'interférences nuisibles, et
2. Cet appareil doit accepter toutes les interférences reçues, y compris celles pouvant entraîner un fonctionnement indésirable.

Tout changement ou modification non expressément approuvé par l'autorité responsable de la conformité pourrait annuler le droit de l'utilisateur à utiliser l'équipement.

Contact

En dehors des États-Unis, du Royaume-Uni, de l'Irlande, de la France, de l'Allemagne, du Mexique, et du Benelux, contactez votre fournisseur si vous avez besoin d'assistance ou de retourner votre appareil. Consultez le site [Contact Us](#) pour trouver nos coordonnées.

Ce Qui est Inclus

- Ovation F-55FC
- Gélatine
- Manuel de Référence

Alimentation CA

Cet appareil est doté d'une alimentation universelle prenant en charge toute tension d'entrée comprise entre 100 et 240 VCA, 50/60 Hz.

Prise CA

Connexion	Câble (États-Unis)	Câble (Europe)	Couleur de la vis
Conducteur CA	Noir	Marron	Jaune/Cuivré
Neutre CA	Blanc	Bleu	Argenté
Terre CA	Vert/Jaune	Vert/Jaune	Vert



Durant les périodes de non-utilisation, pour éviter toute usure inutile et pour prolonger la durée de vie, déconnectez-entièrement l'appareil en le débranchant de l'alimentation électrique ou en coupant le disjoncteur.

Remplacement du Fusible

1. Débranchez l'appareil de la prise.
2. À l'aide d'un tournevis Phillips à tête n° 2, dévissez le couvercle du porte-fusible.
3. Remplacez le fusible obsolète par un fusible neuf équivalent.
4. Revissez le couvercle du porte-fusible et rebranchez l'unité.

Raccordement DMX

Le Ovation F-55FC fonctionnera avec un jeu d'orgues DMX au moyen de connexions DMX en série standard. Une introduction au DMX est à votre disposition sur www.chauvetprofessional.com.

Connexion DMX

Le Ovation F-55FC utilise une connexion de données DMX standard pour ses personnalités **DMX:1Ch, 3Ch, 5Ch, 7Ch, 10Ch, 12Ch, 13Ch, 16Ch** et **HSV**. Consultez le Manuel d'Utilisation pour connecter et configurer le système DMX.

Connexion Maître/ Esclave

Le Ovation F-55FC utilise une connexion de données DMX pour son mode Maître/Esclave. Consultez le Manuel d'Utilisation pour connecter et configurer le mode de fonctionnement Maître/Esclave.

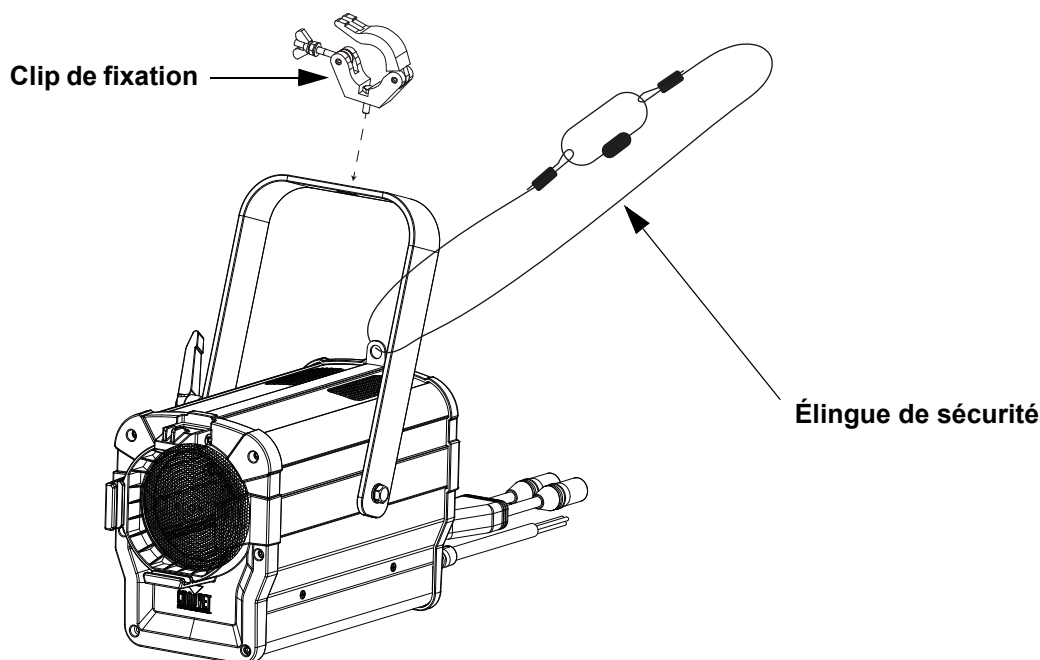
RDM (Gestion des périphériques à distance)

Le protocole RDM (gestion des périphériques à distance) est un standard pour la communication bidirectionnelle des appareils dotés de fonctions DMX dans un câblage DMX existant. Le Ovation F-55FC supporte le protocole RDM permettant un retour d'information pour la surveillance et des changements des options de menu. Veuillez télécharger le manuel de l'utilisateur à partir du site internet www.chauvetprofessional.com pour plus de détails.

Installation

Avant de monter cet appareil, lisez et assimilez les [Consignes de Sécurité](#). Veillez à ce que les fixations sont capables de supporter le poids de l'unité. Découvrez notre gamme de fixations Chauvet sur <http://trusst.com/productcategory/truss-clamps/>.

Schéma de Montage de l'Appareil



Montage en Hauteur

Roue de Couleurs Virtuelles (VCW)

Le Ovation F-55FC dispose d'une fonction appelée Roue de Couleur Virtuelle (VCW - Virtual Color Wheel). Cette fonction est disponible en mode de contrôle autonome pour une utilisation manuelle mais également en tant que canal de contrôle dans certaines personnalités DMX. Plus de 30 couleurs pré-mélangées, personnalisées par nos ingénieurs, sont disponibles pour faciliter la programmation.

Les valeurs DMX utilisées pour mélanger ces couleurs sont indiquées ci-dessous. Vous pouvez ajuster l'intensité globale du Ovation afin de reproduire plus fidèlement les couleurs que vous avez l'habitude d'utiliser. Un graphique est disponible sur notre site Web à l'adresse www.chauvetprofessional.com pour comparer nos couleurs pré-mélangées avec des couleurs de gel populaires. Ce tableau est fourni uniquement à des fins de comparaison et ne certifie pas que nos couleurs pré-mélangées correspondent aux couleurs de gel énumérées.

Gamme de couleurs

Valeurs des Canaux DMX	Affichage à l'Écran	Valeur Rouge	Valeur Vert	Valeur Bleu	Valeur Ambre	Valeur Lime
000 ⇔ 005	--	000	000	000	000	000
006 ⇔ 013	C3050 - Md Yellow	233	163	020	123	255
014 ⇔ 021	C3040 - Lt Yellow	224	158	047	255	231
022 ⇔ 028	C3240 - Amb Yellow	180	060	000	245	255
029 ⇔ 035	C2340 - VLt Amber	245	107	081	255	213
036 ⇔ 043	C2040 - Lt Amber	230	130	062	255	155
044 ⇔ 051	C2050 - Md Amber	255	000	025	255	194
052 ⇔ 059	C2060 - Dk Amber	255	000	024	255	150
060 ⇔ 067	C1050 - Lt Red	255	037	027	030	038
068 ⇔ 075	C1080 - Md Red	255	004	017	000	000
076 ⇔ 083	C1020 - NC Pink	238	135	129	255	255
084 ⇔ 091	C1030 - Md Pink	255	131	120	255	195
092 ⇔ 099	C1630 - Dk Pink	255	165	123	255	210
100 ⇔ 107	C1250 - Md Red Amber	255	000	041	195	055
108 ⇔ 115	C1060 - Dk Red Amber	255	000	045	120	030
116 ⇔ 121	C1650 - Magenta	255	050	115	255	115
122 ⇔ 130	C6170 - Dk Magenta	255	035	117	000	000
131 ⇔ 138	C6020 - Lt Lavender	127	122	142	251	255
139 ⇔ 146	C5030 - Lt Blue	000	255	197	100	255
147 ⇔ 154	C5020 - VLt Blue	158	255	189	000	255
155 ⇔ 162	C5430 - Lt Blue 2	000	255	180	000	243
163 ⇔ 170	C5070 - Blue	043	255	210	043	036
171 ⇔ 178	C5050 - Md Blue	000	255	218	000	181
179 ⇔ 186	C5060 - Dk Blue	000	210	206	000	118
187 ⇔ 194	C5690 - Indigo	065	000	210	040	055
195 ⇔ 202	C5080 - VDk Blue	000	203	230	000	040
203 ⇔ 210	C5081 - VDk Blue2	040	199	240	000	045
211 ⇔ 218	C4370 - Yel Green	027	255	028	016	104
219 ⇔ 226	C4070 - Green	049	255	055	120	090
227 ⇔ 234	C4550 - Turquoise	060	230	109	000	245
235 ⇔ 242	C4560 - Aqua	020	240	126	036	255
243 ⇔ 250	C4570 - Blue Green	000	255	079	030	053
251 ⇔ 255	--	000	000	000	000	000



Remarque: Les couleurs ci-dessus sont des rendus simulés de couleurs produits sur base des couleurs émises par les appareils à incandescence. Chauvet ne peut garantir l'exactitude du rendu d'une couleur.

Gamme des températures de couleur

Valeurs des Canaux DMX	Affichage à l'Écran	Valeur Rouge	Valeur Vert	Valeur Bleu	Valeur Ambre	Valeur Lime
000 ⇔ 005	--	000	000	000	000	000
006 ⇔ 025	2800K	195	177	154	255	255
026 ⇔ 050	3000K	191	186	161	255	255
051 ⇔ 075	3200K	186	195	169	255	255
076 ⇔ 100	3500K	181	205	179	255	255
101 ⇔ 125	4000K	175	221	192	255	255
126 ⇔ 150	4500K	169	231	204	255	255
151 ⇔ 175	5000K	163	239	213	255	255
176 ⇔ 200	5600K	157	247	223	255	255
201 ⇔ 225	6000K	154	251	230	255	255
226 ⇔ 250	6500K	153	255	238	255	255
251 ⇔ 255	--	000	000	000	000	000



Remarque: Les températures de couleur ci-dessus sont des rendus simulés de la sortie de couleur effectivement générée par comparaison avec une lampe tungstène à la température de couleur spécifiée. Chauvet ne donne aucune garantie sur la précision de la sortie de couleur.

Description du Tableau de Commandes

Bouton	Fonction
<MENU>	Permet la sortie du menu ou de la fonction en cours
<ENTER>	Permet l'affichage du menu en cours ou permet de configurer la valeur en cours dans la fonction sélectionnée
<UP>	Permet de parcourir les listes ou les menus vers le haut, dans une fonction permet d'augmenter les valeurs numériques
<DOWN>	Permet de parcourir les listes ou les menus vers le bas, dans une fonction permet de diminuer les valeurs numériques

Tableau de Menu

Niveau Principal	Niveaux de Programmation		Description	
DMX Address	Address	001–512*	Sélectionne l'adresse de démarrage (*le canal le plus élevé est restreint à la personnalité)	
DMX Channel	1Ch	Virtual Color Wheel	1 canaux: gradateur	
		Color Temperature		
		Manual Color Mixer		
		3Ch	3 canaux: gradateur, VCW, température de la couleur	
		5Ch	5 canaux: RVBAL	
		7Ch	7 canaux: RVBAL, gradateur, stroboscope	
		10Ch	10 canaux: RVBAL, gradateur 16 bits, stroboscope, VCW, température de la couleur	
		12Ch	12 canaux: RVBAL, gradateur, stroboscope, VCW, température de la couleur, programmes automatiques, vitesse auto, contrôle	
		13Ch	13 canaux: RVBAL et gradateur 16 bits, stroboscope	
		16Ch	16 canaux: RVBAL, gradateur 16 bits, stroboscope, VCW, température de la couleur, contrôle	
	HSV	3-canaux: hue, saturation, value		
Virtual Color Wheel	Virtual Color Wheel	C3050 - Md Yellow C3040 - Lt Yellow C3240 - Amb Yellow C2340 - VLt Amber C2040 - Lt Amber C2050 - Md Amber C2060 - Dk Amber C1050 - Lt Red C1080 - Md Red C1020 - NC Pink C1030 - Md Pink C1630 - Dk Pink C1250 - Md Red Amber C1060 - Dk Red Amber C1650 - Magenta C6170 - Dk Magenta C6020 - Lt Lavender C5030 - Lt Blue C5020 - VLt Blue C5430 - Lt Blue 2 C5070 - Blue C5050 - Md Blue C5060 - Dk Blue C5690 - Indigo C5080 - VDK Blue C5081 - VDK Blue 2 C4370 - Yel Green C4070 - Green C4550 - Turquoise C4560 - Aqua C4570 - Blue Green	Dimmer 0–255	Roue de Couleurs Virtuelles (VCW) simule le rendu des gélamines de couleur. Consultez la section Gamme de couleurs pour en connaître les valeurs spécifiques.

Niveau Principal	Niveaux de Programmation		Description	
Virtual Color Wheel (suite)	Color Temperature	2800K	Dimmer 0–255	Températures de couleur de blanc prédéfinies. Simule une lampe tungstène à la température de couleur spécifiée. Référez vous à la section Gamme des températures de couleur pour les valeurs spécifiques.
		3000K		
		3200K		
		3500K		
		4000K		
		4500K		
		5000K		
		5600K		
	6000K			
	6500K			
Manual Color Mixer	Red	0–255	Combine les couleurs rouge, vert, bleu, ambre et lime pour un résultat personnalisé (0–100%)	
	Green			
	Blue			
	Amber			
	Lime			
Auto Show	Auto 1–5	1–100	Sélectionne les programmes automatiques et vitesse auto	
Red Shift	On	Off	Imite la gradation des lampes halogènes	
Master/Slave	Master	Slave	Reçoit les signaux DMX du contrôleur DMX Reçoit les signaux DMX du maître	
Dimmer Curve	SCurve		Définir la courbe de gradation	
	Linear			
	Square			
Dimmer Mode	Inverse Square		Gradateur linéaire	
	Off			
White Balance	Manual	Off	125–255	Utilise le paramétrage de blanc défini en usine
		Red		Définit la valeur maximale de LED rouge
		Green		Définit la valeur maximale de LED verte
		Blue		Définit la valeur maximale de LED bleue
		Amber		Définit la valeur maximale de LED ambre
		Lime		Définit la valeur maximale de LED lime
LED Frequency	600Hz		Permet de sélectionner la fréquence de sortie MLI	
	1200Hz			
	2000Hz			
	4000Hz			
	6000Hz			
Back Light	25KHz		Désactive l'affichage rétro-éclairage après 10 secondes d'inactivité	
	10S			
	30S			
	2Min			
Information	Always On		Affichage retro-eclairage toujours active	
	Fixture Hours	----H	Affiche le nombre total des heures du produit	
	LED Hours	----H	Affiche le nombre total des heures du LED	
	Version	V_--V_--	Affiche la version du logiciel installée	
Reset Factory	UID		Affiche UID actuel #	
	No	Yes	Permet de réinitialiser aux valeurs par défaut d'usine	

Valeurs DMX
HSV

Canal	Fonction	Valeur	Pourcentage/Configuration
1	Hue	000 ⇔ 255	0–100%
2	Saturation	000 ⇔ 255	0–100%
3	Value	000 ⇔ 255	0–100%

16Ch

Canal	Fonction	Valeur	Pourcentage/Configuration
1	Gradateur	000 ⇔ 255	0–100%
2	Gradateur fin	000 ⇔ 255	0–100%
3	Rouge	000 ⇔ 255	0–100%
4	Rouge fin	000 ⇔ 255	0–100%
5	Vert	000 ⇔ 255	0–100%
6	Vert fin	000 ⇔ 255	0–100%
7	Bleu	000 ⇔ 255	0–100%
8	Bleu fin	000 ⇔ 255	0–100%
9	Ambre	000 ⇔ 255	0–100%
10	Ambre fin	000 ⇔ 255	0–100%
11	Lime	000 ⇔ 255	0–100%
12	Lime fin	000 ⇔ 255	0–100%
13	Stroboscope	000 ⇔ 010 011 ⇔ 255	Pas de fonction Stroboscope, lent à rapide
14	Roue de couleurs virtuelles	000 ⇔ 255	Consultez la section Gamme de couleurs
15	Température de la couleur	000 ⇔ 255	Consultez la section Gamme des températures de couleur
16	Contrôle (maintenez pendant 3 secondes)	000 ⇔ 007 008 ⇔ 015 016 ⇔ 023 024 ⇔ 031 032 ⇔ 039 040 ⇔ 047 048 ⇔ 055 056 ⇔ 063 064 ⇔ 071 072 ⇔ 079 080 ⇔ 087 088 ⇔ 095 096 ⇔ 255	Pas de fonction Réinitialisation du gradateur Décalage rouge activé Décalage rouge désactivé Courbe de gradateur S-courbe Courbe de gradateur linéaire Courbe de gradation carrée Courbe de gradation carrée inverse Arrêt du mode de vitesse d'assombrissement Mode 1 de vitesse d'assombrissement (rapide) Mode 2 de vitesse d'assombrissement Mode 3 de vitesse d'assombrissement (lente) Réservé pour une utilisation future

13Ch

Canal	Fonction	Valeur	Pourcentage/Configuration
1	Gradateur	000 ⇔ 255	0–100%
2	Gradateur fin	000 ⇔ 255	0–100%
3	Rouge	000 ⇔ 255	0–100%
4	Rouge fin	000 ⇔ 255	0–100%
5	Vert	000 ⇔ 255	0–100%
6	Vert fin	000 ⇔ 255	0–100%
7	Bleu	000 ⇔ 255	0–100%
8	Bleu fin	000 ⇔ 255	0–100%
9	Ambre	000 ⇔ 255	0–100%
10	Ambre fin	000 ⇔ 255	0–100%
11	Lime	000 ⇔ 255	0–100%
12	Lime fin	000 ⇔ 255	0–100%
13	Stroboscope	000 ⇔ 010 011 ⇔ 255	Pas de fonction Stroboscope, lent à rapide

12Ch

Canal	Fonction	Valeur	Pourcentage/Configuration
1	Gradateur	000 ⇔ 255	0–100%
2	Rouge	000 ⇔ 255	0–100%
3	Vert	000 ⇔ 255	0–100%
4	Bleu	000 ⇔ 255	0–100%
5	Ambre	000 ⇔ 255	0–100%
6	Lime	000 ⇔ 255	0–100%
7	Stroboscope	000 ⇔ 010 011 ⇔ 255	Pas de fonction Stroboscope, lent à rapide
8	Roue de couleurs virtuelles	000 ⇔ 255	Consultez la section Gamme de couleurs
9	Température de la couleur	000 ⇔ 255	Consultez la section Gamme des températures de couleur
10	Programmes automatique	000 ⇔ 010 011 ⇔ 060 061 ⇔ 110 111 ⇔ 160 161 ⇔ 210 211 ⇔ 255	No fonction Auto programmes 1 Auto programmes 2 Auto programmes 3 Auto programmes 4 Auto programmes 5
11	Vitesse auto	000 ⇔ 255	0-100%
12	Contrôle (maintenez pendant 3 secondes)	000 ⇔ 007 008 ⇔ 015 016 ⇔ 023 024 ⇔ 031 032 ⇔ 039 040 ⇔ 047 048 ⇔ 055 056 ⇔ 063 064 ⇔ 071 072 ⇔ 079 080 ⇔ 087 088 ⇔ 095 096 ⇔ 255	Pas de fonction Réinitialisation du gradateur Décalage rouge activé Décalage rouge désactivé Courbe de gradateur S-courbe Courbe de gradateur linéaire Courbe de gradation carrée Courbe de gradation carrée inverse Arrêt du mode de vitesse d'assombrissement Mode 1 de vitesse d'assombrissement (rapide) Mode 2 de vitesse d'assombrissement Mode 3 de vitesse d'assombrissement (lente) Réservé pour une utilisation future

10Ch

Canal	Fonction	Valeur	Pourcentage/Configuration
1	Gradateur	000 ⇔ 255	0–100%
2	Gradateur fin	000 ⇔ 255	0–100%
3	Rouge	000 ⇔ 255	0–100%
4	Vert	000 ⇔ 255	0–100%
5	Bleu	000 ⇔ 255	0–100%
6	Ambre	000 ⇔ 255	0–100%
7	Lime	000 ⇔ 255	0–100%
8	Stroboscope	000 ⇔ 010 011 ⇔ 255	Pas de fonction Stroboscope, lent à rapide
9	Roue de couleurs virtuelles	000 ⇔ 255	Consultez la section Gamme de couleurs
10	Température de la couleur	000 ⇔ 255	Consultez la section Gamme des températures de couleur

7Ch

Canal	Fonction	Valeur	Pourcentage/Configuration
1	Gradateur	000 ⇔ 255	0–100%
2	Rouge	000 ⇔ 255	0–100%
3	Vert	000 ⇔ 255	0–100%
4	Bleu	000 ⇔ 255	0–100%
5	Ambre	000 ⇔ 255	0–100%
6	Lime	000 ⇔ 255	0–100%
7	Stroboscope	000 ⇔ 010 011 ⇔ 255	Pas de fonction Stroboscope, lent à rapide

5Ch

Canal	Fonction	Valeur	Pourcentage/Configuration
1	Rouge	000 ⇔ 255	0–100%
2	Vert	000 ⇔ 255	0–100%
3	Bleu	000 ⇔ 255	0–100%
4	Ambre	000 ⇔ 255	0–100%
5	Lime	000 ⇔ 255	0–100%

3Ch

Canal	Fonction	Valeur	Pourcentage/Configuration
1	Gradateur	000 ⇔ 255	0–100%
2	Roue de couleurs virtuelles	000 ⇔ 255	Consultez la section Gamme de couleurs
3	Température de la couleur	000 ⇔ 255	Consultez la section Gamme des températures de couleur

1Ch

Canal	Fonction	Valeur	Pourcentage/Configuration
1	Gradateur	000 ⇔ 255	0–100% (définie la couleur depuis le menu)

Über diese Schnellanleitung

In der Schnellanleitung des Ovation F-55FC finden Sie die wesentlichen Produktinformationen, wie etwa über die Montage, Menüoptionen und DMX-Werte des Geräts. Laden Sie für weiterführende Informationen unter www.chauvetprofessional.com das Benutzerhandbuch herunter.

Haftungsausschluss

Die in dieser Anleitung aufgeführten Informationen und Spezifikationen können ohne vorherige Ankündigung geändert werden.

EINGESCHRÄNKTE GARANTIE

ZUR REGISTRIERUNG FÜR GARANTIEANSPRÜCHE UND ZUR EINSICHT IN DIE VOLLSTÄNDIGEN GESCHÄFTSBEDINGUNGEN BESUCHEN SIE BITTE UNSERE WEBSITE.

Für Kunden in den USA und in Mexiko: www.chauvetlighting.com/warranty-registration.

Für Kunden im Vereinigten Königreich, in Irland, Belgien, den Niederlanden, Luxemburg, Frankreich und Deutschland: www.chauvetlighting.eu/warranty-registration.

Chauvet garantiert für die in der auf unserer Website veröffentlichten vollständigen eingeschränkten Garantie genannten Dauer und unter Vorbehalt der darin genannten Haftungsausschlüsse und -beschränkungen, dass dieses Produkt bei normalen Gebrauch frei von Material- und Verarbeitungsfehlern ist. Diese Garantie erstreckt sich nur auf den Erstkäufer des Produkts und ist nicht übertragbar. Zur Ausübung der unter dieser Garantie gewährten Rechte ist der Kaufbeleg in Form der Originalrechnung von einem autorisierten Händler vorzulegen, in der die Produktbezeichnung und das Kaufdatum vermerkt sein müssen. ES BESTEHEN KEINE WEITEREN AUSDRÜCKLICHEN ODER STILLSCHWEIGENDEN GARANTIEEN. Diese Garantie gibt Ihnen besondere gesetzliche Rechte. Und Sie haben möglicherweise weitere Rechte, die von Land zu Land unterschiedlich sein können. Diese Garantie ist nur in den USA, im Vereinigten Königreich, in Irland, Belgien, den Niederlanden, Luxemburg, Frankreich, Deutschland und Mexiko gültig. Bezüglich der Garantiebestimmungen in anderen Ländern wenden Sie sich bitte an Ihren lokalen Händler.

Sicherheitshinweise

- Dieses Gerät NICHT öffnen. Die eingebauten Komponenten sind für den Kunden wartungsfrei.
- NIEMALS in die Lichtquelle schauen, während das Gerät eingeschaltet ist.
- Dieses Gerät darf NICHT in Wasser eingetaucht werden (IP20). Eine regelmäßige Verwendung dieses Geräts im Freien ist möglich.
- Belassen Sie KEINE entflammaren Materialien in einem Umkreis von 50 cm dieses Geräts, während es in Betrieb oder an der Stromversorgung angeschlossen ist.
- NIEMALS das Gerät in Betrieb nehmen, wenn Ihnen das Gehäuse, die Linsen oder das Kabel beschädigt erscheinen.
- Schließen Sie dieses Gerät NICHT an einen Dimmer oder Regelwiderstand an.
- VORSICHT: Das Gehäuse dieses Produkts kann während des Betriebs heiß werden.
- VORSICHT: Beim Transport des Geräts von einer Umgebung mit außergewöhnlichen Temperaturen in eine andere solche Umgebung (z. B. aus einem kalten Transporter in einen warm-feuchten Ballsaal) kann an der im Gerät enthaltenen Elektronik Wasser kondensieren. Um einen Defekt zu vermeiden, muss sich das Gerät erst in der neuen Umgebung akklimatisiert haben, bevor es an die Stromversorgung angeschlossen werden kann.
- VERWENDEN Sie bei Montage über Kopf immer ein Sicherheitsseil.
- Schließen Sie dieses Produkt NUR an einen mit der Erde verbundenen und geschützten Stromkreis an.
- Das Gerät NUR an den Hänge-/Befestigungsbügeln oder Griffen tragen.
- Installieren Sie das Gerät an einem Ort mit ausreichender Belüftung und mit einem Abstand von mindestens 50 cm zu den angrenzenden Flächen.
- Um unnötigen Verschleiß zu vermeiden und die Lebensdauer des Geräts zu verlängern, trennen Sie während längerer Perioden des Nichtgebrauchs das Gerät vom Stromnetz – entweder per Trennschalter oder durch Herausziehen des Steckers aus der Steckdose.
- Bei ernsthaften Betriebsproblemen stoppen Sie umgehend die Verwendung des Geräts.
- Die maximal zulässige Umgebungstemperatur beträgt 45 °C. Nehmen Sie das Gerät nicht bei höheren Temperaturen in Betrieb.

FCC-Konformität

Dieses Gerät erfüllt Teil 15, Teil B, der FCC-Bestimmungen. Der Betrieb ist an folgende zwei Bedingungen geknüpft:

1. Dieses Gerät darf keine schädlichen Interferenzen verursachen, und
2. Dieses Gerät muss empfangende Interferenzen aufnehmen können, auch Interferenzen, die eventuell einen unerwünschten Betrieb verursachen.

Jegliche Änderungen oder Modifikationen, die nicht ausdrücklich von der Partei genehmigt wurden, die für die Compliance zuständig ist, könnten die Berechtigung des Benutzers zum Betrieb dieses Geräts aufheben.

Kontakt

Kunden außerhalb der USA, GB, Irland, Benelux, Frankreich, Deutschland oder Mexiko wenden sich an ihren Lieferanten, um den Kundensupport in Anspruch zu nehmen oder ein Produkt zurückzuschicken. Kontaktinformationen finden Sie im [Contact Us](#) am Ende dieses QRG.

Packungsinhalt

- Ovation F-55FC
- Schnellanleitung
- Gel-Rahmen

Wechselstrom

Dieses Gerät verfügt über ein Vorschaltgerät, das automatisch die anliegende Spannung erkennt, sobald der Netzstecker in die Schukosteckdose gesteckt wird, und kann mit einer Eingangsspannung von 100~240 V AC, 50/60 Hz arbeiten.

Wechselstromstecker

Anschluss	Draht (USA)	Draht (Europa)	Schraubenfarbe
Stromführender AC-Leiter	Schwarz	Braun	Gelb/Messingfarben
AC-Neutralleiter	Weiß	Blau	Silber
AC-Erdungsleiter	Grün/Gelb	Grün/Gelb	Grün



Um unnötigen Verschleiß zu vermeiden und die Lebensdauer des Geräts zu verlängern, trennen Sie während längerer Perioden des Nichtgebrauchs das Gerät vom Stromnetz – entweder per Trennschalter oder durch Herausziehen des Steckers aus der Steckdose.

Auswechseln der Sicherung

1. Trennen Sie das Gerät vom Stromnetz.
2. Mit einem Flachkopfschraubendreher lösen Sie die Abdeckung des Sicherungshalters vom Gehäuse.
3. Entfernen Sie die durchgebrannte Sicherung, und ersetzen Sie diese durch eine Sicherung des gleichen Typs und mit den gleichen Werten.
4. Schrauben Sie die Abdeckung der Sicherung wieder ein, und schließen Sie das Gerät wieder an das Stromnetz an.

DMX-Verbindung

Der Ovation F-55FC kann mit einem DMX-Controller betrieben werden, wenn eine 5-polige DMX-Serienschaltung zum Einsatz kommt. Sie können sich eine Einführung in DMX unter www.chauvetprofessional.com herunterladen.

DMX-Anschluss

Der Ovation F-55FC nutzt zur Steuerung seiner Kontrollpersönlichkeiten: **1Ch, 3Ch, 5Ch, 7Ch, 10Ch, 12Ch, 13Ch, 16Ch** und **HSV** eine 5-polige DMX-Datenverbindung. Informationen zum Anschließen und Konfigurieren des Geräts für einen DMX-Betrieb finden Sie in der Bedienungsanleitung.

Master/Slave-Schaltung

Der Ovation F-55FC verwendet für seinen Master/Slave-Modus eine DMX-Datenverbindung. Informationen zum Anschließen und Konfigurieren des Geräts für einen Master/Slave-Betrieb finden Sie in der Bedienungsanleitung.

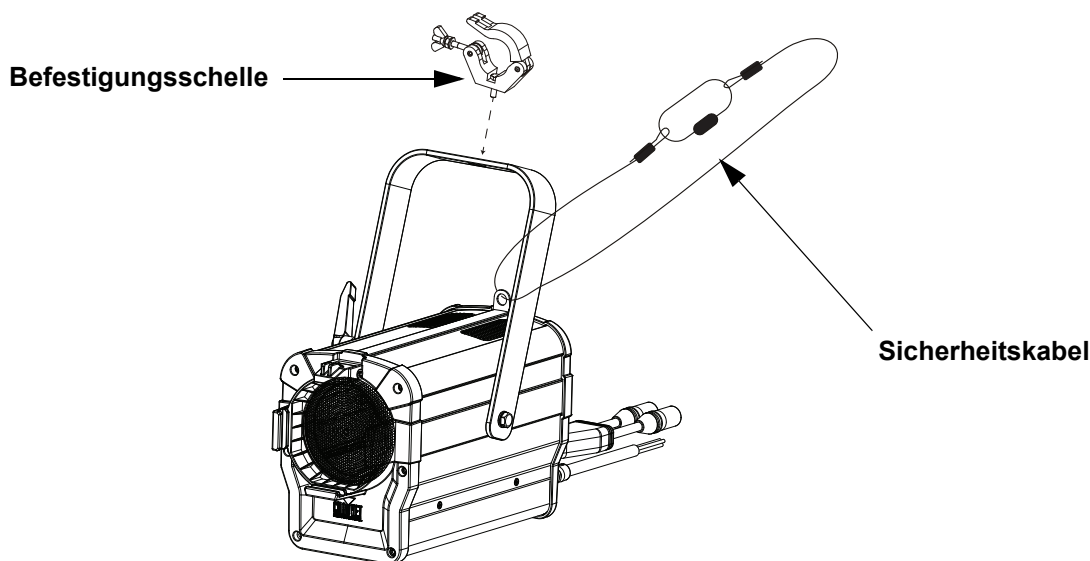
RDM (Remote Device Management)

Remote Device Management bzw. RDM ist ein Standard, mit dem DMX-aktivierte Geräte bidirektional entlang bestehender DMX-Kabel kommunizieren können. Lesen Sie die Bedienungsanleitung des DMX-Controllers oder wenden Sie sich an den Hersteller, da nicht alle DMX-Controller über diese Funktion verfügt. Der Ovation F-55FC unterstützt das RDM-Protokoll, das ein Feedback zur Vornahme von Änderungen der Menüoptionen erlaubt. Laden Sie für weiterführende Informationen unter www.chauvetprofessional.com das Benutzerhandbuch herunter.

Montage

Lesen Sie vor der Montage dieses Geräts die [Sicherheitshinweise](#) durch. Mindestens ein Befestigungspunkt pro Gerät verwenden. Stellen Sie sicher, dass die Befestigungsklemmen dafür ausgelegt sind, das Produktgewicht tragen zu können. Informationen zu unserer CHAUVET-Produktlinie für Befestigungsklemmen finden Sie unter <http://trusst.com/productcategory/truss-clamps/>.

Montageansicht



Montageansicht

Virtuelles Farbrad (VCW)

Der Ovation F-55FC verfügt über eine Funktion mit der Bezeichnung Virtuelles Farbrad (Virtual Color Wheel, VCW). Diese Funktion steht als Stand-alone-Steuerungsmodus für die manuelle Bedienung sowie als Steuerungskanal bei ausgewählten DMX-Eigenschaften zur Verfügung. Es sind mehr als 30 von unseren Technikern vorgemischte Farben verfügbar, um die Programmierung einfacher zu gestalten. Die zum Mischen dieser Farben verwendeten DMX-Werte sind nachstehend angegeben. Sie können die Gesamtintensität des Ovation anpassen, um die Farben, mit denen Sie vertraut sind, besser nachzubilden. Auf unserer Website www.chauvetprofessional.com finden Sie eine Tabelle, mit deren Hilfe Sie unsere vorgemischten Farben mit beliebigen Gel-Farben vergleichen können. Diese Tabelle dient einzig Vergleichszwecken und ist keine Gewähr dafür, dass unsere vorgemischten Farben mit einer der aufgeführten Gel-Farben übereinstimmen.

Tabelle: Virtuelles Farbrad

DMX-Kanal-Wert	Anzeige auf Display	Roter Wert	Grüner Wert	Blauer Wert	Bernsteinfarbener Wert	Neongrüner Wert
000 ⇔ 005	--	000	000	000	000	000
006 ⇔ 013	C3050 - Md Yellow	233	163	020	123	255
014 ⇔ 021	C3040 - Lt Yellow	224	158	047	255	231
022 ⇔ 028	C3240 - Amb Yellow	180	060	000	245	255
029 ⇔ 035	C2340 - VLt Amber	245	107	081	255	213
036 ⇔ 043	C2040 - Lt Amber	230	130	062	255	155
044 ⇔ 051	C2050 - Md Amber	255	000	025	255	194
052 ⇔ 059	C2060 - Dk Amber	255	000	024	255	150
060 ⇔ 067	C1050 - Lt Red	255	037	027	030	038
068 ⇔ 075	C1080 - Md Red	255	004	017	000	000
076 ⇔ 083	C1020 - NC Pink	238	135	129	255	255
084 ⇔ 091	C1030 - Md Pink	255	131	120	255	195
092 ⇔ 099	C1630 - Dk Pink	255	165	123	255	210
100 ⇔ 107	C1250 - Md Red Amber	255	000	041	195	055
108 ⇔ 115	C1060 - Dk Red Amber	255	000	045	120	030
116 ⇔ 121	C1650 - Magenta	255	050	115	255	115
122 ⇔ 130	C6170 - Dk Magenta	255	035	117	000	000
131 ⇔ 138	C6020 - Lt Lavender	127	122	142	251	255
139 ⇔ 146	C5030 - Lt Blue	000	255	197	100	255
147 ⇔ 154	C5020 - VLt Blue	158	255	189	000	255
155 ⇔ 162	C5430 - Lt Blue 2	000	255	180	000	243
163 ⇔ 170	C5070 - Blue	043	255	210	043	036
171 ⇔ 178	C5050 - Md Blue	000	255	218	000	181
179 ⇔ 186	C5060 - Dk Blue	000	210	206	000	118
187 ⇔ 194	C5690 - Indigo	065	000	210	040	055
195 ⇔ 202	C5080 - VDk Blue	000	203	230	000	040
203 ⇔ 210	C5081 - VDk Blue2	040	199	240	000	045
211 ⇔ 218	C4370 - Yel Green	027	255	028	016	104
219 ⇔ 226	C4070 - Green	049	255	055	120	090
227 ⇔ 234	C4550 - Turquoise	060	230	109	000	245
235 ⇔ 242	C4560 - Aqua	020	240	126	036	255
243 ⇔ 250	C4570 - Blue Green	000	255	079	030	053
251 ⇔ 255	--	000	000	000	000	000



Hinweis: Die oben genannten Farben sind simulierte Ähnlichkeiten der Farbausgabe im Vergleich zu anderen, ähnlich weißglühenden Produkten. Chauvet gibt keine Gewährleistung bezüglich der Genauigkeit der Farbausgabe.

Farbtemperatur-Tabelle

DMX-Kanal-Wert	Anzeige auf Display	Roter Wert	Grüner Wert	Blauer Wert	Bernsteinfarbener Wert	Neongrüner Wert
000 ⇔ 005	--	000	000	000	000	000
006 ⇔ 025	2800K	195	177	154	255	255
026 ⇔ 050	3000K	191	186	161	255	255
051 ⇔ 075	3200K	186	195	169	255	255
076 ⇔ 100	3500K	181	205	179	255	255
101 ⇔ 125	4000K	175	221	192	255	255
126 ⇔ 150	4500K	169	231	204	255	255
151 ⇔ 175	5000K	163	239	213	255	255
176 ⇔ 200	5600K	157	247	223	255	255
201 ⇔ 225	6000K	154	251	230	255	255
226 ⇔ 250	6500K	153	255	238	255	255
251 ⇔ 255	--	000	000	000	000	000



Hinweis: Die oben genannten Farbtemperaturen sind simulierte Ähnlichkeiten der Farbausgabe im Vergleich zu einer Wolframlampe mit spezifizierter Farbtemperatur. Chauvet gibt keine Gewährleistung bezüglich der Genauigkeit der Farbausgabe.

Beschreibung des Bedienfeldes

Taste	Funktion
<MENU>	Damit verlassen Sie das aktuelle Menü oder die Funktion.
<ENTER>	Damit wird das aktuell angezeigte Menü aktiviert oder der aktuell ausgewählte Wert einer Funktion eingestellt.
<UP>	Damit navigieren Sie sich durch die Menüpunkte nach oben oder erhöhen den numerischen Wert der entsprechenden Funktion.
<DOWN>	Damit navigieren Sie sich durch die Menüpunkte nach unten oder verringern den numerischen Wert der entsprechenden Funktion.

Menüstruktur

Hauptebene	Programmirebenen		Beschreibung
DMX Address	Address	001–512*	Wählt die DMX-Adresse aus (*der höchste Kanal ist auf die gewählte Eigenschaft beschränkt)
DMX Channel	1Ch	Virtual Color Wheel	1 Kanal: Dimmer
		Color Temperature	
		Manual Color Mixer	
	3Ch	3 Kanal: Dimmer, Virtuelles Farbrad, Farbtemperatur	
	5Ch	5 Kanal: RGBAL	
	7Ch	7 Kanal: RGBAL, Dimmer, Stroboskopeffekt	
	10Ch	10 Kanal: 16-Bit Dimmer, RGBAL, Virtuelles Farbrad, Farbtemperatur, Stroboskopeffekt	
	12Ch	12 Kanal: RGBAL, Dimmer, Virtuelles Farbrad, Farbtemperatur, Stroboskopeffekt, Auto-Programm, Auto-Geschwindigkeit, Kontrolle	
	13Ch	13 Kanal: 16-Bit RGBAL und Dimmer, Stroboskopeffekt	
	16Ch	16 Kanal: 16-Bit RGBAL und Dimmer, Virtuelles Farbrad, Farbtemperatur, Stroboskopeffekt, Kontrolle	
	HSV	3-Kanal: Farbton, Farbsättigung, Farbwert	

QUICK REFERENCE GUIDE



DE

Hauptebene	Programmirebenen		Beschreibung
Virtual Color Wheel	Virtual Color Wheel	C3050 - Md Yellow	Dimmer 0–255
		C3040 - Lt Yellow	
		C3240 - Amb Yellow	
		C2340 - V Lt Amber	
		C2040 - Lt Amber	
		C2050 - Md Amber	
		C2060 - Dk Amber	
		C1050 - Lt Red	
		C1080 - Md Red	
		C1020 - NC Pink	
		C1030 - Md Pink	
		C1630 - Dk Pink	
		C1250 - Md Red Amber	
		C1060 - Dk Red Amber	
		C1650 - Magenta	
		C6170 - Dk Magenta	
		C6020 - Lt Lavender	
		C5030 - Lt Blue	
		C5020 - V Lt Blue	
		C5430 - Lt Blue 2	
		C5070 - Blue	
		C5050 - Md Blue	
		C5060 - Dk Blue	
		C5690 - Indigo	
		C5080 - V Dk Blue	
		C5081 - V Dk Blue 2	
		C4370 - Yel Green	
C4070 - Green			
C4550 - Turquoise			
C4560 - Aqua			
C4570 - Blue Green			
Color Temperature	Color Temperature	2800K	Dimmer 0–255
		3000K	
		3200K	
		3500K	
		4000K	
		4500K	
		5000K	
		5600K	
		6000K	
		6500K	
Manual Color Mixer	Manual Color Mixer	Red	0–255
		Green	
		Blue	
		Amber	
		Lime	
Auto Show	Auto 1–5	1–100	Wähl das Auto-Programm und die Programm-Geschwindigkeit aus
Red Shift	On		Ahmt die Dimmung einer Halogenlampe nach
	Off		
Master/Slave	Master		DMX-Modus (Master)
	Slave		Slave-Modus

Hauptebene	Programmirebenen		Beschreibung	
Dimmer Curve	SCurve		Stellt die Dimmungskurve ein	
	Linear			
	Square			
	Inverse Square			
Dimmer Mode	Off		Linearer Dimmer	
	Dimmer 1–3		Dimmkurven von schnell (Dimmer 1) bis langsam (Dimmer 3)	
White Balance	Off		Verwendet die werksseitig voreingestellte Standardeinstellung "Weiß"	
	Manual	Red	125–255	Stellt den maximalen Wert der roten LED ein
		Green		Stellt den maximalen Wert der grünen LED ein
		Blue		Stellt den maximalen Wert der blauen LED ein
		Amber		Stellt den maximalen Wert der bernsteinfarbenen LED ein
	Lime	Stellt den maximalen Wert der neongrünen LED ein		
LED Frequency	600Hz		Stellt die PWM-Frequenz ein	
	1200Hz			
	2000Hz			
	4000Hz			
	6000Hz			
	25KHz			
Back Light	10S		Damit wird die Anzeige nach 10 Sekunden Inaktivität ausgeschaltet	
	30S		Damit wird die Anzeige nach 30 Sekunden Inaktivität ausgeschaltet	
	2Min		Damit wird die Anzeige nach 2 Minuten Inaktivität ausgeschaltet	
	Always On		Hintergrundbeleuchtung der Anzeige immer an	
Information	Fixture Hours	----_H	Zeigt an, wie lange das Gerät eingeschaltet gewesen ist	
	LED Hours	----_H	Zeigt an, wie lange das LED eingeschaltet gewesen ist	
	Version	V__-V__	Zeigt die aktuelle Firmware-Version an	
	UID	-----	Zeigt die Geräte-UID an	
Reset Factory	No		Damit stellen Sie das Gerät auf die Werkseinstellungen zurück	
	Yes			

DE

DMX-Werte

HSV

Kanal	Funktion	Wert	Prozent/Einstellung
1	Farbton	000 ⇔ 255	0–100%
2	Farbsättigung	000 ⇔ 255	0–100%
3	Farbwert	000 ⇔ 255	0–100%

16Ch

Kanal	Funktion	Wert	Prozent/Einstellung
1	Dimmer	000 ⇔ 255	0–100%
2	Feine Dimmer	000 ⇔ 255	0–100%
3	Rot	000 ⇔ 255	0–100%
4	Feine Rot	000 ⇔ 255	0–100%
5	Grün	000 ⇔ 255	0–100%
6	Feine Grün	000 ⇔ 255	0–100%
7	Blau	000 ⇔ 255	0–100%
8	Feine Bau	000 ⇔ 255	0–100%
9	Bernsteinfarben	000 ⇔ 255	0–100%
10	Feine Bernsteinfarben	000 ⇔ 255	0–100%
11	Neongrün	000 ⇔ 255	0–100%
12	Feine Neongrün	000 ⇔ 255	0–100%
13	Stroboskop	000 ⇔ 010 011 ⇔ 255	Keine Funktion Stroboskopeffekt, langsam bis schnell
14	Virtuelles Farbrad	000 ⇔ 255	Siehe Tabelle: Virtuelles Farbrad
15	Farbtemperatur	000 ⇔ 255	Siehe Farbtemperatur-Tabelle
16	Kontrolle (3 Sekunden lang gedrückt halten)	000 ⇔ 007 008 ⇔ 015 016 ⇔ 023 024 ⇔ 031 032 ⇔ 039 040 ⇔ 047 048 ⇔ 055 056 ⇔ 063 064 ⇔ 071 072 ⇔ 079 080 ⇔ 087 088 ⇔ 095 096 ⇔ 255	Keine Funktion Dimmer zurücksetzen Rotverschiebung ein Rotverschiebung aus S-Kurve Dimmerkurve Lineare Dimmerkurve Quadratische Dimmerkurve Inverse quadratische Dimmerkurve Dimmer-Geschwindigkeits-Modus aus Dimmer-Geschwindigkeits-Modus 1 (schnellste) Dimmer-Geschwindigkeits-Modus 2 Dimmer-Geschwindigkeits-Modus 3 (langsamste) Reserviert für zukünftige Verwendung

13Ch

Kanal	Funktion	Wert	Prozent/Einstellung
1	Dimmer	000 ⇔ 255	0–100%
2	Feine Dimmer	000 ⇔ 255	0–100%
3	Rot	000 ⇔ 255	0–100%
4	Feine Rot	000 ⇔ 255	0–100%
5	Grün	000 ⇔ 255	0–100%
6	Feine Grün	000 ⇔ 255	0–100%
7	Blau	000 ⇔ 255	0–100%
8	Feine Blau	000 ⇔ 255	0–100%
9	Bernsteinfarben	000 ⇔ 255	0–100%
10	Feine Bernsteinfarben	000 ⇔ 255	0–100%
11	Neongrün	000 ⇔ 255	0–100%
12	Feine Neongrün	000 ⇔ 255	0–100%
13	Stroboskop	000 ⇔ 010 011 ⇔ 255	Keine Funktion Stroboskopeffekt, langsam bis schnell

12Ch

Kanal	Funktion	Wert	Prozent/Einstellung
1	Dimmer	000 ⇔ 255	0–100%
2	Rot	000 ⇔ 255	0–100%
3	Grün	000 ⇔ 255	0–100%
4	Blau	000 ⇔ 255	0–100%
5	Bernsteinfarben	000 ⇔ 255	0–100%
6	Neongrün	000 ⇔ 255	0–100%
7	Stroboskop	000 ⇔ 010 011 ⇔ 255	Keine Funktion Stroboskopeffekt, langsam bis schnell
8	Virtuelles Farbrad	000 ⇔ 255	Siehe Tabelle: Virtuelles Farbrad
9	Farbtemperatur	000 ⇔ 255	Siehe Farbtemperatur-Tabelle
10	Auto-Programme	000 ⇔ 010 011 ⇔ 060 061 ⇔ 110 111 ⇔ 160 161 ⇔ 210 211 ⇔ 255	Keine Funktion Autoprogramm 1 Autoprogramm 2 Autoprogramm 3 Autoprogramm 4 Autoprogramm 5
11	Auto-Geschwindigkeit	000 ⇔ 255	0–100%
12	Kontrolle (3 Sekunden lang gedrückt halten)	000 ⇔ 007 008 ⇔ 015 016 ⇔ 023 024 ⇔ 031 032 ⇔ 039 040 ⇔ 047 048 ⇔ 055 056 ⇔ 063 064 ⇔ 071 072 ⇔ 079 080 ⇔ 087 088 ⇔ 095 096 ⇔ 255	Keine Funktion Dimmer zurücksetzen Rotverschiebung ein Rotverschiebung aus S-Kurve Dimmerkurve Lineare Dimmerkurve Quadratische Dimmerkurve Inverse quadratische Dimmerkurve Dimmer-Geschwindigkeits-Modus aus Dimmer-Geschwindigkeits-Modus 1 (schnellste) Dimmer-Geschwindigkeits-Modus 2 Dimmer-Geschwindigkeits-Modus 3 (langsamste) Reserviert für zukünftige Verwendung

DE

10Ch

Kanal	Funktion	Wert	Prozent/Einstellung
1	Dimmer	000 ⇔ 255	0–100%
2	Feine Dimmer	000 ⇔ 255	0–100%
3	Rot	000 ⇔ 255	0–100%
4	Grün	000 ⇔ 255	0–100%
5	Blau	000 ⇔ 255	0–100%
6	Bernsteinfarben	000 ⇔ 255	0–100%
7	Neongrün	000 ⇔ 255	0–100%
8	Stroboskop	000 ⇔ 010 011 ⇔ 255	Keine Funktion Stroboskopeffekt, langsam bis schnell
9	Virtuelles Farbrad	000 ⇔ 255	Siehe Tabelle: Virtuelles Farbrad
10	Farbtemperatur	000 ⇔ 255	Siehe Farbtemperatur-Tabelle

7Ch

Kanal	Funktion	Wert	Prozent/Einstellung
1	Dimmer	000 ⇔ 255	0–100%
2	Rot	000 ⇔ 255	0–100%
3	Grün	000 ⇔ 255	0–100%
4	Blau	000 ⇔ 255	0–100%
5	Bernsteinfarben	000 ⇔ 255	0–100%
6	Neongrün	000 ⇔ 255	0–100%
7	Stroboskop	000 ⇔ 010 011 ⇔ 255	Keine Funktion Stroboskopeffekt, langsam bis schnell

5Ch

Kanal	Funktion	Wert	Prozent/Einstellung
1	Rot	000 ⇔ 255	0–100%
2	Grün	000 ⇔ 255	0–100%
3	Blau	000 ⇔ 255	0–100%
4	Bernsteinfarben	000 ⇔ 255	0–100%
5	Neongrün	000 ⇔ 255	0–100%

3Ch

Kanal	Funktion	Wert	Prozent/Einstellung
1	Dimmer	000 ⇔ 255	0–100%
2	Virtuelles Farbrad	000 ⇔ 255	Siehe Tabelle: Virtuelles Farbrad
3	Farbtemperatur	000 ⇔ 255	Siehe Farbtemperatur-Tabelle

1Ch

Kanal	Funktion	Wert	Prozent/Einstellung
1	Dimmer	000 ⇔ 255	0–100% (Farb eingestellt von Menü)

Over deze handleiding

De Ovation F-55FC Beknopte Handleiding (BH) bevat basisinformatie over het product, zoals aansluiting, montage, menu-opties en DMX-waarden. Download de gebruikershandleiding op www.chauvetprofessional.com voor meer informatie.

Disclaimer

De informatie en specificaties in deze BH kunnen zonder voorafgaande kennisgeving worden gewijzigd.

BEPERKTE GARANTIE

GA NAAR ONZE WEBSITE VOOR REGISTRATIE VAN DE GARANTIE EN DE VOLLEDIGE ALGEMENE VOORWAARDEN.

Voor klanten in de Verenigde Staten en Mexico: www.chauvetlighting.com/warranty-registration.

Voor klanten in het Verenigd Koninkrijk, Ierland, België, Nederland, Luxemburg, Frankrijk en Duitsland: www.chauvetlighting.eu/warranty-registration.

Chauvet garandeert dat dit product bij normaal gebruik vrij zal blijven van defecten in materiaal en vakmanschap, voor de opgegeven periode en onder voorbehoud van de uitzonderingen en beperkingen die zijn uiteengezet in de volledige beperkte garantie op onze website. Deze garantie geldt uitsluitend voor de oorspronkelijke koper van het product en is niet overdraagbaar. Om onder deze garantie rechten uit te oefenen, moet u een aankoopbewijs overleggen in de vorm van een origineel verkoopbewijs van een geautoriseerde dealer, waarop de naam van het product en de aankoopdatum zichtbaar zijn. ER ZIJN GEEN ANDERE EXPLICIETE OF IMPLICIETE GARANTIES. Deze garantie geeft u specifieke wettelijke rechten. Mogelijk heeft u ook andere rechten die van staat tot staat en van land tot land verschillen. Deze garantie is uitsluitend geldig in de Verenigde Staten, het Verenigd Koninkrijk, Ierland, België, Nederland, Luxemburg, Frankrijk, Duitsland en Mexico. Neem contact op met uw lokale verkoper voor garantievoorwaarden in andere landen.

Veiligheidsinstructies

- Open het product NIET. Het bevat geen te onderhouden onderdelen.
- KIJK NIET in de lichtbron wanneer het apparaat is ingeschakeld.
- Gebruik dit product NIET buitenshuis of op een locatie waar stof, grote warmte, water of vochtigheid het kunnen beïnvloeden (IP20).
- Plaats geen ontvlambaar materiaal binnen 50 cm van dit product als het in gebruik is of is aangesloten op het stopcontact.
- Gebruik dit product NIET als de behuizing, lenzen of kabels beschadigd lijken.
- Sluit dit product NIET aan op een dimmer of een regelweerstand.
- LET OP: De behuizing van dit product kan heet zijn wanneer het in bedrijf is.
- LET OP: Bij het verplaatsen van het product uit extreme omgevingen, (bijv. koude vrachtwagen naar warme, vochtige balzaal) kan er condensvorming optreden op de elektronica van het product. Om storingen te vermijden moet het product volledig kunnen acclimatiseren aan de omgeving voordat het op stroom wordt aangesloten.
- GEBRUIK een veiligheidskabel bij het boven het hoofd plaatsen van dit product.
- Sluit dit product UITSLUITEND op een geaard en beveiligd stroomcircuit.
- Gebruik UITSLUITEND de ophang-/montagebeugel om dit product te dragen.
- Monteer dit product op een plek met voldoende ventilatie, ten minste 50 cm van de aangrenzende oppervlakken.
- Om onnodige slijtage te elimineren en zijn levensduur te verlengen, gedurende perioden wanneer het product niet wordt gebruikt, moet u het product van de stroom afsluiten door een aardlekschakelaar om te zetten of door het te ontkoppelen.
- Stop in het geval van ernstige operationele problemen onmiddellijk met het gebruik.
- De maximale omgevingstemperatuur bedraagt 45 °C. Gebruik dit product niet bij hogere temperaturen.

FCC-naleving

Dit apparaat voldoet aan Part 15 Part B van de FCC-regels. Het gebruik is onderworpen aan de volgende twee voorwaarden:

1. Dit apparaat mag geen schadelijke interferentie veroorzaken, en
2. Dit apparaat moet enige ontvangen interferentie accepteren, inclusief interferentie die een ongewenste werking kan veroorzaken.

Eventuele wijzigingen of aanpassingen die niet uitdrukkelijk door de voor naleving verantwoordelijke partij zijn goedgekeurd, kan de bevoegdheid van de gebruiker om de apparatuur te bedienen ongeldig verklaren.

Contact

Van buiten de VS, Verenigd Koninkrijk, Ierland, Frankrijk, Duitsland, Benelux of Mexico kunt u contact opnemen met de distributeur of om ondersteuning vragen dan wel het product retourneren. Ga naar [Contact Us](#) voor contact informatie.

Wat is inbegrepen

- Ovation F-55FC
- Gelframe
- Beknopte handleiding

AC-stroom

Dit product heeft een voeding met automatisch bereik die werkt met een ingangsspanning van 100–240 VAC, 50/60 Hz.

AC-stekker

Aansluiting	Snoer (VS)	Snoer (Europa)	Schroefkleur
AC Live	Zwart	Bruin	Geel/messing
AC Neutraal	Wit	Blauw	Zilver
AC Aarde	Groen/geel	Groen/geel	Groen



Om onnodige slijtage te elimineren en zijn levensduur te verlengen, gedurende perioden wanneer het product niet wordt gebruikt, moet u het product van de stroom afsluiten door een aardlekschakelaar om te zetten of door het te ontkoppelen.

De zekering vervangen

1. Ontkoppel dit product van de stroom.
2. Gebruik een kruiskopschroevendraaier nr. 2 en schroef de kap van de zekeringhouder los van de behuizing.
3. Verwijder de doorgebrande zekering en vervang het met een werkende zekering van hetzelfde type en met dezelfde waarde.
4. Schroef de kap van de zekeringhouder terug en steek de stekker er weer in.

DMX-koppeling

De Ovation F-55FC kan met een DMX-controller werken met een normale DMX seriële verbinding. Op www.chauvetprofessional.com is een DMX basishandleiding verkrijgbaar.

DMX-aansluiting

De Ovation F-55FC gebruikt een normale DMX-gegevensverbinding voor zijn DMX-persoonlijkheden: **1Ch, 3Ch, 5Ch, 7Ch, 10Ch, 12Ch, 13Ch, 16Ch** en **HSV**. Zie de gebruikershandleiding om te verbinden en te configureren voor DMX-werking.

Master/slave-verbinding

De Ovation F-55FC maakt gebruik van de DMX-dataverbinding voor haar Master-/Slave-modus. Zie de gebruikershandleiding om te verbinden en te configureren voor Master/Slave-werking.

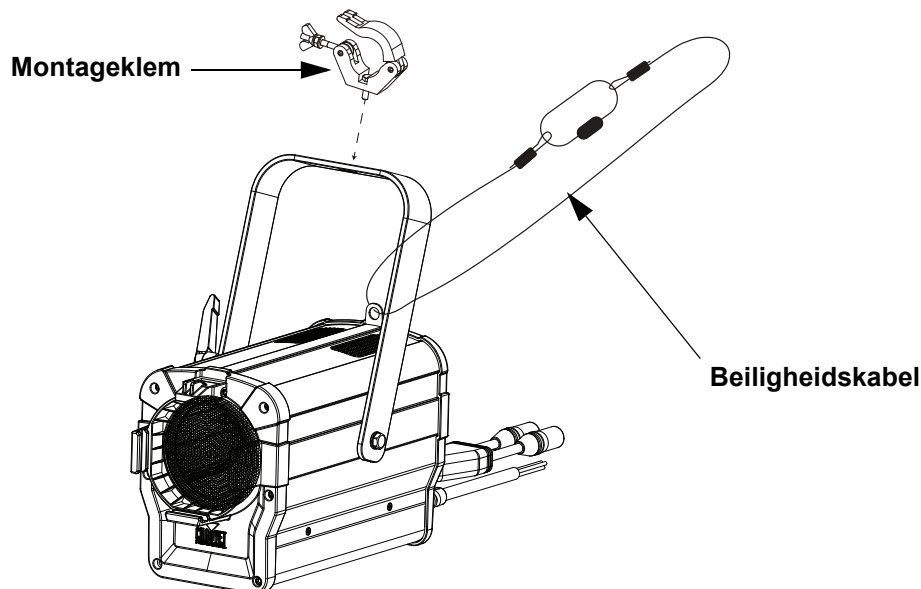
RDM (apparaatbeheer op afstand)

Remote Device Management of RDM (apparaatbeheer op afstand) is een standaard die het voor DMX-apparaten mogelijk maakt om in twee richtingen te communiceren over bestaande DMX-kabels. De Ovation F-55FC ondersteunt het RDM-protocol dat zorgt feedback toelaat bij de bewaking van wijzigingen aan de menu map-opties van. Download de gebruikershandleiding op www.chauvetprofessional.com voor meer informatie.

Montage

Lees alvorens dit product te monteren alle [Veiligheidsinstructies](#). Controleer of de montageklem het gewicht van het product kan dragen. Ga voor onze Chauvet-serie montageklemmen naar <http://trusst.com/productcategory/truss-clamps/>

Montagediagram van het product



Montage boven het

Virtueel kleurenwiel

De Ovation F-55FC bevat een functie, genaamd het virtuele kleurenwiel (Virtual Color Wheel, VCW). Deze functie is beschikbaar als een losstaande bedieningsmodus voor handmatig gebruik en ook als een bedieningskanaal in de geselecteerde DMX-persoonlijkheden van de producten. Voor eenvoudiger programmering zijn er meer dan 30 voorgemengde kleuren beschikbaar die speciaal door onze technici zijn samengesteld.

De DMX-waarden die worden gebruikt voor het mengen van deze kleuren staan hieronder vermeld. U kunt de algehele intensiteit van het Ovation-armatuur aanpassen om de kleuren waarmee u bekend bent beter na te bootsen. Op onze website www.chauvetprofessional.com is een tabel beschikbaar om onze voorgemengde kleuren te vergelijken met populaire gelkleuren. Deze grafiek is uitsluitend bedoeld voor vergelijkingsdoeleinden en vormt geen garantie dat onze voorgemengde kleuren overeenkomen met de vermelde gelkleuren.

Kleurenkaart

DMX-kanaalwaarde	Weergave op het display	Rode waarde	Groene waarde	Blaauwe waarde	Amber waarde	Lime waarde
000 ⇔ 005	--	000	000	000	000	000
006 ⇔ 013	C3050 - Md Yellow	233	163	020	123	255
014 ⇔ 021	C3040 - Lt Yellow	224	158	047	255	231
022 ⇔ 028	C3240 - Amb Yellow	180	060	000	245	255
029 ⇔ 035	C2340 - VLt Amber	245	107	081	255	213
036 ⇔ 043	C2040 - Lt Amber	230	130	062	255	155
044 ⇔ 051	C2050 - Md Amber	255	000	025	255	194
052 ⇔ 059	C2060 - Dk Amber	255	000	024	255	150
060 ⇔ 067	C1050 - Lt Red	255	037	027	030	038
068 ⇔ 075	C1080 - Md Red	255	004	017	000	000
076 ⇔ 083	C1020 - NC Pink	238	135	129	255	255
084 ⇔ 091	C1030 - Md Pink	255	131	120	255	195
092 ⇔ 099	C1630 - Dk Pink	255	165	123	255	210
100 ⇔ 107	C1250 - Md Red Amber	255	000	041	195	055
108 ⇔ 115	C1060 - Dk Red Amber	255	000	045	120	030
116 ⇔ 121	C1650 - Magenta	255	050	115	255	115
122 ⇔ 130	C6170 - Dk Magenta	255	035	117	000	000
131 ⇔ 138	C6020 - Lt Lavender	127	122	142	251	255
139 ⇔ 146	C5030 - Lt Blue	000	255	197	100	255
147 ⇔ 154	C5020 - VLt Blue	158	255	189	000	255
155 ⇔ 162	C5430 - Lt Blue 2	000	255	180	000	243
163 ⇔ 170	C5070 - Blue	043	255	210	043	036
171 ⇔ 178	C5050 - Md Blue	000	255	218	000	181
179 ⇔ 186	C5060 - Dk Blue	000	210	206	000	118
187 ⇔ 194	C5690 - Indigo	065	000	210	040	055
195 ⇔ 202	C5080 - Vdk Blue	000	203	230	000	040
203 ⇔ 210	C5081 - Vdk Blue2	040	199	240	000	045
211 ⇔ 218	C4370 - Yel Green	027	255	028	016	104
219 ⇔ 226	C4070 - Green	049	255	055	120	090
227 ⇔ 234	C4550 - Turquoise	060	230	109	000	245
235 ⇔ 242	C4560 - Aqua	020	240	126	036	255
243 ⇔ 250	C4570 - Blue Green	000	255	079	030	053
251 ⇔ 255	--	000	000	000	000	000



Let op: De kleuren hierboven zijn gesimuleerde waargaven van de kleurenitvoer die zijn geproduceerd, in vergelijking met de andere gelijksoortige lichtproducten. Chauvet geeft geen garantie over de nauwkeurigheid van de kleuropbrengst.

Kleurtemperatuur-kaart

DMX-kanaalwaarde	Weergave op het display	Rode waarde	Groene waarde	Blauwe waarde	Amber waarde	Lime waarde
000 ⇔ 005	--	000	000	000	000	000
006 ⇔ 025	2800K	195	177	154	255	255
026 ⇔ 050	3000K	191	186	161	255	255
051 ⇔ 075	3200K	186	195	169	255	255
076 ⇔ 100	3500K	181	205	179	255	255
101 ⇔ 125	4000K	175	221	192	255	255
126 ⇔ 150	4500K	169	231	204	255	255
151 ⇔ 175	5000K	163	239	213	255	255
176 ⇔ 200	5600K	157	247	223	255	255
201 ⇔ 225	6000K	154	251	230	255	255
226 ⇔ 250	6500K	153	255	238	255	255
251 ⇔ 255	--	000	000	000	000	000



Let op: De bovenstaande kleurtemperaturen zijn gesimuleerde weergaven van de geproduceerde kleuropbrengst, in vergelijking met een wolfram-lamp bij de opgegeven kleurtemperatuur. Chauvet geeft geen garantie over de nauwkeurigheid van de kleuropbrengst.

Beschrijving bedienings paneel

Toets	Functie
<MENU>	Sluit het huidige menu of functie af
<ENTER>	Activeert het huidige getoonde menu of plaatst de huidige geselecteerde waarde in de geselecteerde functie
<UP>	Navigeert omhoog via het menu of verhoogt de numerieke waarde wanneer in een functie
<DOWN>	Navigeert omlaag via het menu of verlaagt de numerieke waarde wanneer in een functie

Menumap

Hoofdniveau	Programmeerniveaus		Beschrijving
DMX Address	Address	001–512*	Selecteer het DMX-adres (*hoogste kanaal beperkt tot de gekozen persoonlijkheid)
DMX Channel	1Ch	Virtual Color Wheel	1 kanaal: dimmer
		Color Temperature	
		Manual Color Mixer	
	3Ch		3 kanaal: dimmer, virtuele kleurenwiel, kleurtemperatuur
	5Ch		5 kanaal: RGBAL
	7Ch		7 kanaal: RGBAL, dimmer, stroboscoop
	10Ch		10 kanaal: 16-bits dimmer, RGBAL, virtuele kleurenwiel, kleurtemperatuur, stroboscoop
	12Ch		12 kanaal: RGBAL, dimmer, virtuele kleurenwiel, kleurtemperatuur, stroboscoop, programma's, programmasnelheid, controle
	13Ch		13 kanaal: 16-bits RVBAL en dimmer, stroboscoop
16Ch		16 kanaal: 16-bits RGBAL en dimmer, virtuele kleurenwiel, kleurtemperatuur stroboscoop, controle	
	HSV		3-kanaal: tint, verzadiging, waarde

Hoofdniveau	Programmeerniveaus		Beschrijving	
Virtual Color Wheel	Virtual Color Wheel	C3050 - Md Yellow	Dimmer 0–255	Het virtuele kleurenwiel simuleert de opbrengst van elke gelkleur. Raadpleeg de sectie Kleurenkaart voor specifieke waarden
		C3040 - Lt Yellow		
		C3240 - Amb Yellow		
C2340 - VLt Amber				
C2040 - Lt Amber				
C2050 - Md Amber				
C2060 - Dk Amber				
C1050 - Lt Red				
C1080 - Md Red				
C1020 - NC Pink				
C1030 - Md Pink				
C1630 - Dk Pink				
C1250 - Md Red Amber				
C1060 - Dk Red Amber				
C1650 - Magenta				
C6170 - Dk Magenta				
C6020 - Lt Lavender				
C5030 - Lt Blue				
C5020 - VLt Blue				
C5430 - Lt Blue 2				
C5070 - Blue				
C5050 - Md Blue				
C5060 - Dk Blue				
C5690 - Indigo				
C5080 - Vdk Blue				
C5081 - Vdk Blue 2				
C4370 - Yel Green				
C4070 - Green				
C4550 - Turquoise				
C4560 - Aqua				
C4570 - Blue Green				
Color Temperature	Color Temperature	2800K	Dimmer 0–255	Vooringestelde witte kleurtemperaturen. Emuleert een wolfram-lamp bij de opgegeven kleurtemperatuur. Raadpleeg de sectie Kleurtemperatuur-kaart voor specifieke waarden
		3000K		
		3200K		
		3500K		
		4000K		
		4500K		
		5000K		
		5600K		
		6000K		
		6500K		
Manual Color Mixer	Manual Color Mixer	Red	0–255	Combineert rood, groen, blauw, amber en lime om een aangepaste kleur te genereren (0–100%)
		Green		
		Blue		
		Amber		
		Lime		
Auto Show	Auto 1–5	1–100	Selecteert automatische programma's en automatische programmasnelheid	
Red Shift	On		Bootst halogeenlamp dimmen na	
	Off			
Master/Slave	Master		Master-modus	
	Slave		Slave-modus	
Dimmer Curve	S Curve		Stelt de dimcurve in	
	Linear			
	Square			
	Inverse Square			

Hoofdniveau	Programmeerniveaus		Beschrijving
Dimmer Mode	Off		Lineaire dimmer
	Dimmer 1-3		Selecteert dimprofielen van snel (Dimmer 1) tot langzaam (Dimmer 3)
White Balance	Manual	Off	Gebruikt standaard witte instelling
		Red	Stelt de maximum waarde van de rode LED in
		Green	Stelt de maximum waarde van de groene LED in
		Blue	Stelt de maximum waarde van de blauwe LED in
		Amber	Stelt de maximum waarde van de amber LED in
		Lime	Stelt de maximum waarde van de lime LED in
LED Frequency	600Hz		Selecteert de PWM-uitgangsfrequentie
	1200Hz		
	2000Hz		
	4000Hz		
	6000Hz		
	25KHz		
Back Light	10S		Schakelt de backlight van de display uit na 10s van inactiviteit
	30S		Schakelt de backlight van de display uit na 30s van inactiviteit
	2Min		Schakelt de backlight van de display uit na 2 mins van inactiviteit
	Always On		De backlight van de display is altijd aan
Information	Fixture Hours	----H	Toont het totale aantal producturen
	LED Hours	----H	Toont het totale aantal LED-uren
	Version	V_._-V_._	Toont de geïnstalleerde softwareversie
	UID	-----	Toont het apparaat-ID van het product
Reset Factory	No		Geeft de huidige UID #
	Yes		Herstellen naar de fabrieksstandaard

DMX-waarden
HSV

Kanaal	Functie	Waarde	Percentage/instelling
1	Hue	000 ⇔ 255	0–100%
2	Saturation	000 ⇔ 255	0–100%
3	Value	000 ⇔ 255	0–100%

16Ch

Kanaal	Functie	Waarde	Percentage/instelling
1	Dimmer	000 ⇔ 255	0–100%
2	Fijne dimmer	000 ⇔ 255	0–100%
3	Rood	000 ⇔ 255	0–100%
4	Fijn rood	000 ⇔ 255	0–100%
5	Groen	000 ⇔ 255	0–100%
6	Fijn groen	000 ⇔ 255	0–100%
7	Blauw	000 ⇔ 255	0–100%
8	Fijn blauw	000 ⇔ 255	0–100%
9	Amber	000 ⇔ 255	0–100%
10	Fijn amber	000 ⇔ 255	0–100%
11	Lime	000 ⇔ 255	0–100%
12	Fijn Lime	000 ⇔ 255	0–100%
13	Stroboscoop	000 ⇔ 010 011 ⇔ 255	Geen functie Stroboscoop, langzaam bis snel
14	Virtueel kleurenwiel	000 ⇔ 255	Raadpleeg de sectie Kleurenkaart
15	Kleurtemperatuur	000 ⇔ 255	Raadpleeg de sectie Kleurtemperatuur-kaart
16	Controle (houd 3 seconden ingedrukt)	000 ⇔ 007 008 ⇔ 015 016 ⇔ 023 024 ⇔ 031 032 ⇔ 039 040 ⇔ 047 048 ⇔ 055 056 ⇔ 063 064 ⇔ 071 072 ⇔ 079 080 ⇔ 087 088 ⇔ 095 096 ⇔ 255	Geen functie Dimmer reset Rode shift aan Rode shift uit S-curve dimcurve Lineaire dimcurve Vierkante dimcurve Omgekeerde vierkante dimcurve Dimmer snelheidsmodus uit Dimmer snelheidsmodus 1 (snel) Dimmer snelheidsmodus 2 Dimmer snelheidsmodus 3 (langzaam) Gereserveerd voor toekomstig gebruik

NL

13Ch

Kanaal	Functie	Waarde	Percentage/instelling
1	Dimmer	000 ⇔ 255	0–100%
2	Fijne dimmer	000 ⇔ 255	0–100%
3	Rood	000 ⇔ 255	0–100%
4	Fijn rood	000 ⇔ 255	0–100%
5	Groen	000 ⇔ 255	0–100%
6	Fijn groen	000 ⇔ 255	0–100%
7	Blauw	000 ⇔ 255	0–100%
8	Fijn blauw	000 ⇔ 255	0–100%
9	Amber	000 ⇔ 255	0–100%
10	Fijn amber	000 ⇔ 255	0–100%
11	Lime	000 ⇔ 255	0–100%
12	Fijn Lime	000 ⇔ 255	0–100%
13	Stroboscoop	000 ⇔ 010 011 ⇔ 255	Geen functie Stroboscoop, langzaam bis snel

12Ch

Kanaal	Functie	Waarde	Percentage/instelling
1	Dimmer	000 ⇔ 255	0–100%
2	Rood	000 ⇔ 255	0–100%
3	Groen	000 ⇔ 255	0–100%
4	Blauw	000 ⇔ 255	0–100%
5	Amber	000 ⇔ 255	0–100%
6	Lime	000 ⇔ 255	0–100%
7	Stroboscoop	000 ⇔ 010 011 ⇔ 255	Geen functie Stroboscoop, langzaam bis snel
8	Virtueel kleurenwiel	000 ⇔ 255	Raadpleeg de sectie Kleurenkaart
9	Kleurtemperatuur	000 ⇔ 255	Raadpleeg de sectie Kleurtemperatuur-kaart
10	Programmes Auto	000 ⇔ 010 011 ⇔ 060 061 ⇔ 110 111 ⇔ 160 161 ⇔ 210 211 ⇔ 255	Geen functie Auto 1 Auto 2 Auto 3 Auto 4 Auto 5
11	Autosnelheid	000 ⇔ 255	0–100%
12	Controle (houd 3 seconden ingedrukt)	000 ⇔ 007 008 ⇔ 015 016 ⇔ 023 024 ⇔ 031 032 ⇔ 039 040 ⇔ 047 048 ⇔ 055 056 ⇔ 063 064 ⇔ 071 072 ⇔ 079 080 ⇔ 087 088 ⇔ 095 096 ⇔ 255	Geen functie Dimmer reset Rode shift aan Rode shift uit S-curve dimcurve Lineaire dimcurve Vierkante dimcurve Omgekeerde vierkante dimcurve Dimmer snelheidsmodus uit Dimmer snelheidsmodus 1 (snel) Dimmer snelheidsmodus 2 Dimmer snelheidsmodus 3 (langzaam) Gereserveerd voor toekomstig gebruik

10Ch

Kanaal	Functie	Waarde	Percentage/instelling
1	Dimmer	000 ⇔ 255	0–100%
2	Fijne dimmer	000 ⇔ 255	0–100%
3	Rood	000 ⇔ 255	0–100%
4	Groen	000 ⇔ 255	0–100%
5	Blauw	000 ⇔ 255	0–100%
6	Amber	000 ⇔ 255	0–100%
7	Lime	000 ⇔ 255	0–100%
8	Stroboscoop	000 ⇔ 010 011 ⇔ 255	Geen functie Stroboscoop, langzaam bis snel
9	Virtueel kleurenwiel	000 ⇔ 255	Raadpleeg de sectie Kleurenkaart
10	Kleurtemperatuur	000 ⇔ 255	Raadpleeg de sectie Kleurtemperatuur-kaart

7Ch

Kanaal	Functie	Waarde	Percentage/instelling
1	Dimmer	000 ⇔ 255	0–100%
2	Rood	000 ⇔ 255	0–100%
3	Groen	000 ⇔ 255	0–100%
4	Blauw	000 ⇔ 255	0–100%
5	Amber	000 ⇔ 255	0–100%
6	Lime	000 ⇔ 255	0–100%
7	Stroboscoop	000 ⇔ 010 011 ⇔ 255	Geen functie Stroboscoop, langzaam bis snel

5Ch

Kanaal	Functie	Waarde	Percentage/instelling
1	Rood	000 ⇔ 255	0–100%
2	Groen	000 ⇔ 255	0–100%
3	Blauw	000 ⇔ 255	0–100%
4	Amber	000 ⇔ 255	0–100%
5	Lime	000 ⇔ 255	0–100%

3Ch

Kanaal	Functie	Waarde	Percentage/instelling
1	Dimmer	000 ⇔ 255	0–100%
2	Virtueel kleurenwiel	000 ⇔ 255	Raadpleeg de sectie Kleurenkaart
3	Kleurtemperatuur	000 ⇔ 255	Raadpleeg de sectie Kleurtemperatuur-kaart

1Ch

Kanaal	Functie	Waarde	Percentage/instelling
1	Dimmer	000 ⇔ 255	0–100%, kleur wordt ingesteld via het menu

Contact Us

General Information	Technical Support
Chauvet World Headquarters	
Address: 5200 NW 108th Ave. Sunrise, FL 33351 Voice: (954) 577-4455 Fax: (954) 929-5560 Toll Free: (800) 762-1084	Voice: (844) 393-7575 Fax: (954) 756-8015 Email: chauvetcs@chauvetlighting.com Website: www.chauvetprofessional.com
Chauvet Europe Ltd.	
Address: Unit 1C Brookhill Road Industrial Estate Pinxton, Nottingham, UK NG16 6NT Voice: +44 (0) 1773 511115 Fax: +44 (0) 1773 511110	Email: UKtech@chauvetlighting.eu Website: www.chauvetprofessional.eu
Chauvet Europe BVBA	
Address: Stokstraat 18 9770 Kruishoutem Belgium Voice: +32 9 388 93 97	Email: BNLtech@chauvetlighting.eu Website: www.chauvetprofessional.eu
Chauvet France	
Address: 3, Rue Ampère 91380 Chilly-Mazarin France Voice: +33 1 78 85 33 59	Email: FRtech@chauvetlighting.fr Website: www.chauvetprofessional.eu
Chauvet Germany	
Address: Bruno-Bürgel-Str. 11 28759 Bremen Germany Voice: +49 421 62 60 20	Email: DEtech@chauvetlighting.de Website: www.chauvetprofessional.eu
Chauvet Mexico	
Address: Av. de las Partidas 34 - 3B (Entrance by Calle 2) Zona Industrial Lerma Lerma, Edo. de México, CP 52000 Voice: +52 (728) 690-2010	Email: servicio@chauvet.com.mx Website: www.chauvetprofessional.mx

Visit the applicable website above to verify our contact information and instructions to request support. Outside the U.S., U.K., Ireland, France, Germany, Benelux or Mexico, contact the dealer of record.



UL 1573
CSA C22.2 No. 166
E113093

