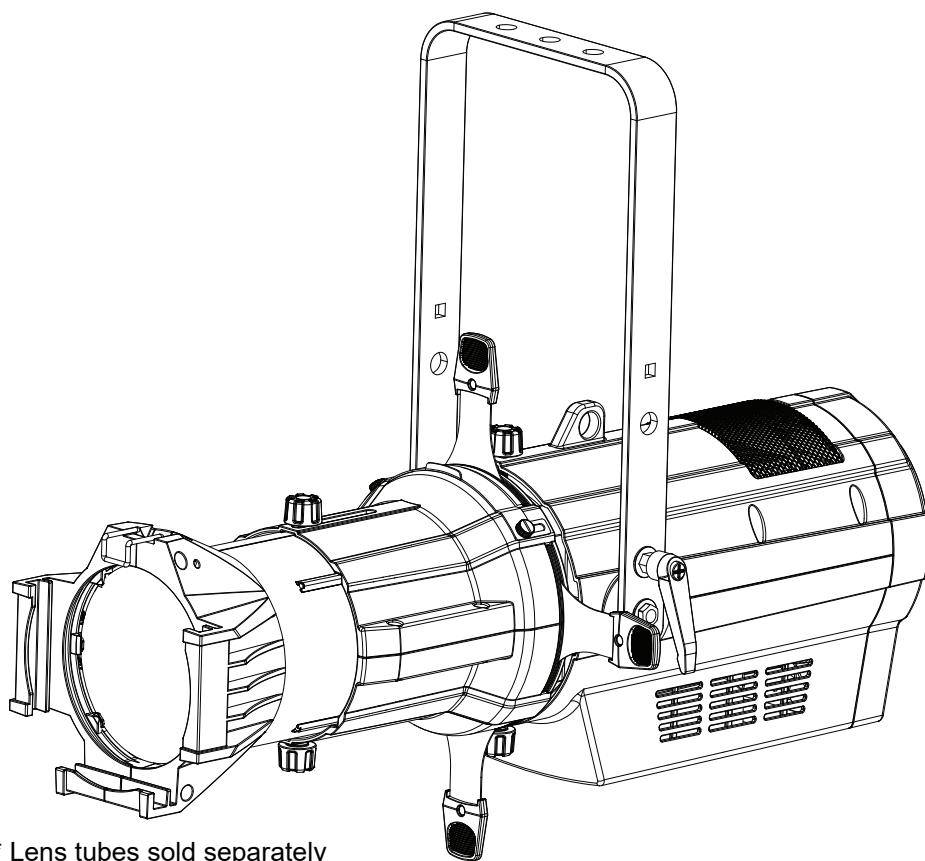


# Ovation

## E-910FC

### User Manual



\* Lens tubes sold separately



**CHAUVET**  
PROFESSIONAL

## **Edition Notes**

The Ovation E-910FC User Manual includes a description, safety precautions, installation, programming, operation and maintenance instructions for the Ovation E-910FC.

## **Trademarks**

CHAUVET, the Chauvet logo and Ovation E-910FC are registered trademarks or trademarks of Chauvet & Sons, LLC (d/b/a Chauvet and Chauvet Lighting) in the United States and other countries. Other company and product names and logos referred to herein may be trademarks of their respective companies.

## **Copyright Notice**

The works of authorship contained in this manual, including, but not limited to, all design, text and images are owned by Chauvet.

© Copyright 2021 Chauvet & Sons, LLC. All rights reserved.

Electronically published by Chauvet in the United States of America.

## **Manual Use**

Chauvet authorizes its customers to download and print this manual for professional information purposes only. Chauvet expressly prohibits the usage, copy, storage, distribution, modification, or printing of this manual or its content for any other purpose without written consent from Chauvet.

## **Document Printing**

For best results, print this document in color, on letter size paper (8.5 x 11 in), double-sided. If using A4 paper (210 x 297 mm), configure the printer to scale the content accordingly.

## **Intended Audience**

Any person installing, operating, and/or maintaining this product should completely read through the guide that shipped with the product, as well as this manual, before installing, operating, or maintaining this product.

## **Disclaimer**

Chauvet believes that the information contained in this manual is accurate in all respects. However, Chauvet assumes no responsibility and specifically disclaims any and all liability to any party for any loss, damage or disruption caused by any errors or omissions in this document, whether such errors or omissions result from negligence, accident or any other cause. Chauvet reserves the right to revise the content of this document without any obligation to notify any person or company of such revision, however, Chauvet has no obligation to make, and does not commit to make, any such revisions. Download the latest version from [www.chauvetprofessional.com](http://www.chauvetprofessional.com).

## **Document Revision**

This Ovation E-910FC User Manual is the 12<sup>th</sup> edition of this document. Go to [www.chauvetprofessional.com](http://www.chauvetprofessional.com) for the latest version.

TABLE OF CONTENTS

<b>1. Before You Begin .....</b>	<b>1</b>
What Is Included .....	1
Claims .....	1
Manual Conventions .....	1
Symbols .....	1
Safety Notes.....	2
Personal Safety.....	2
Mounting and Rigging .....	2
Power and Wiring.....	2
Operation .....	2
Expected LED Lifespan.....	2
<b>2. Introduction .....</b>	<b>3</b>
Description .....	3
Features.....	3
Product Overview.....	4
Product Dimensions.....	5
<b>3. Setup .....</b>	<b>6</b>
AC Power.....	6
AC Plug.....	6
Power Linking.....	6
Fuse Replacement.....	6
DMX Linking.....	6
DMX Personalities.....	6
Remote Device Management (RDM).....	6
Master/Slave Connectivity.....	7
Mounting .....	7
Orientation.....	7
Rigging.....	7
Procedure.....	7
Manual Beam Focus Control.....	8
Rotating the Barrel Assembly.....	8
Accessory Slot .....	8
<b>4. Operation .....</b>	<b>9</b>
Control Panel Operation.....	9
Control Options .....	9
Programming.....	9
Configuration (DMX) .....	9
DMX Personalities.....	9
Starting Address.....	9
.....	10
Configuration (Standalone).....	12
Focus Mode .....	12
Virtual Color Wheel .....	12
Color Temperature .....	12
Manual Color Mixer .....	12
Auto Programs .....	12
Red Shift .....	12
Master/Slave .....	12
Dimmer Curve.....	12
Dimmer Profiles.....	13
White Balance.....	13

LED Frequency .....	13
Fan Mode .....	13
Back Light .....	13
System Information .....	13
Virtual Color Wheel (VCW) .....	14
Virtual Color Wheel Chart .....	14
Color Temperature Chart .....	15
DMX Values .....	15
16Ch.....	15
13Ch.....	16
12Ch.....	17
10Ch.....	17
7Ch.....	18
5Ch.....	18
3Ch.....	18
1Ch.....	18
HSV.....	18
<b>5. Technical Information .....</b>	<b>19</b>
Product Maintenance .....	19
<b>6. Technical Specifications .....</b>	<b>20</b>
<b>7. Returns.....</b>	<b>21</b>
<b>8. Contact Us .....</b>	<b>22</b>

# 1. Before You Begin

## What Is Included

- Ovation E-910FC
- Neutrik® powerCON® power cord
- Soft focus filter
- Quick Reference Guide

## Claims

Carefully unpack the product immediately and check the container to make sure all the parts are in the package and are in good condition.





If the box or the contents (the product and included accessories) appear damaged from shipping, or show signs of mishandling, notify the carrier immediately, not Chauvet. Failure to report damage to the carrier immediately may invalidate customer's claim. In addition, keep the box and contents for inspection.

For other issues, such as missing components or parts, damage not related to shipping, or concealed damage, file a claim with Chauvet within 7 days of delivery.

## Manual Conventions

Convention	Meaning
1–512	A range of values
50/60	A set of values of which only one can be chosen
<SET>	A button on the product's control panel
Settings	A product function or a menu option

## Symbols

Symbol	Meaning
	Electrical warning. Not following these instructions may cause electrical damage to the product, accessories, or the user.
	Critical installation, configuration, or operation information. Not following these instructions may make the product not work, cause damage to the product, or cause harm to the operator.
	Important installation or configuration information. The product may not function correctly if this information is not used.
	Useful information.



The term “DMX” used throughout this manual refers to the USITT DMX512-A digital data transmission protocol.

## FCC Compliance

This device complies with Part 15 Part B of the FCC Rules. Operation is subject to the following two conditions:

1. This device may not cause harmful interference, and
2. This device must accept any interference received, including interference that may cause undesired operation.

Any changes or modifications not expressly approved by the party responsible for compliance could void the user's authority to operate the equipment.

## Safety Notes

Read all the following safety notes before working with this product. These notes contain important information about the installation, usage, and maintenance of this product.



**This product contains no user-serviceable parts. Any reference to servicing in this User Manual will only apply to properly trained, certified technicians. Do not open the housing or attempt any repairs.**



**All applicable local codes and regulations apply to proper installation of this product.**

## Personal Safety

- Avoid direct eye exposure to the light source while the product is on.
- Always disconnect the product from the power source before cleaning or replacing the fuse.
- Always connect the product to a grounded circuit to avoid the risk of electrocution.
- Do not touch the product's housing when operating because it may be very hot.

## Mounting and Rigging

- This product is not intended for permanent installation.
- This product is for indoor use only! Do not operate this product outdoors or in any location where dust, excessive heat, water, or humidity may affect it (IP20).
- Do not leave any flammable material within 50 cm of this product while operating or connected to power.
- CAUTION: When transferring product from extreme temperature environments, (e.g., cold truck to warm, humid ballroom) condensation may form on the internal electronics of the product. To avoid causing a failure, allow product to fully acclimate to the surrounding environment before connecting it to power.
- Mount this product in a location with adequate ventilation, at least 20 in (50 cm) from adjacent surfaces.
- When hanging this product, always secure to a fastening device using a safety cable.
- Use only the hanging/mounting bracket to carry this product.

## Power and Wiring

- Ensure that the power cord is not crimped or damaged.
- Always ensure that the product is connected to proper voltage in accordance with the specifications in this manual or on the product's specification label.
- Make sure to replace the fuse with another of the same type and rating.
- Never connect the product to a dimmer pack or rheostat.
- Never disconnect this product by pulling or tugging on the power cable.

## Operation

- The luminaire should be positioned so that prolonged staring into the luminaire at a distance closer than 2.3 m is not expected.
- If the external flexible cable or cord of this luminaire is damaged, it shall be replaced by a special cord or cord exclusively available from the manufacturer or his service agent.
- The light source contained in this luminaire shall only be replaced by the manufacturer or his service agent or a similar qualified person.
- The luminaire is intended for professional use only.
- Do not operate this product if there is damage on the housing, lenses, or cables. Have the damaged parts replaced by an authorized technician at once.
- Do not cover the ventilation slots when operating to avoid internal overheating.
- The maximum ambient temperature is 113 °F (45 °C). Do not operate the product at higher temperatures.
- The minimum startup temperature is -4°F (-20°C). Do not start the product at lower temperatures.
- The minimum ambient temperature is -22°F (-30°C). Do not operate the product at lower temperatures.
- In the event of a serious operation problem, stop using this product immediately!



**If your Chauvet product requires service, contact Chauvet Technical Support.**

## Expected LED Lifespan

Over time, use and heat will gradually reduce LED brightness. Clustered LEDs produce more heat than single LEDs, contributing to shorter lifespans if always used at full intensity. The average LED lifespan is 40,000 to 50,000 hours. To extend LED lifespan, maintain proper ventilation around the product, and limit the overall intensity.

## 2. Introduction

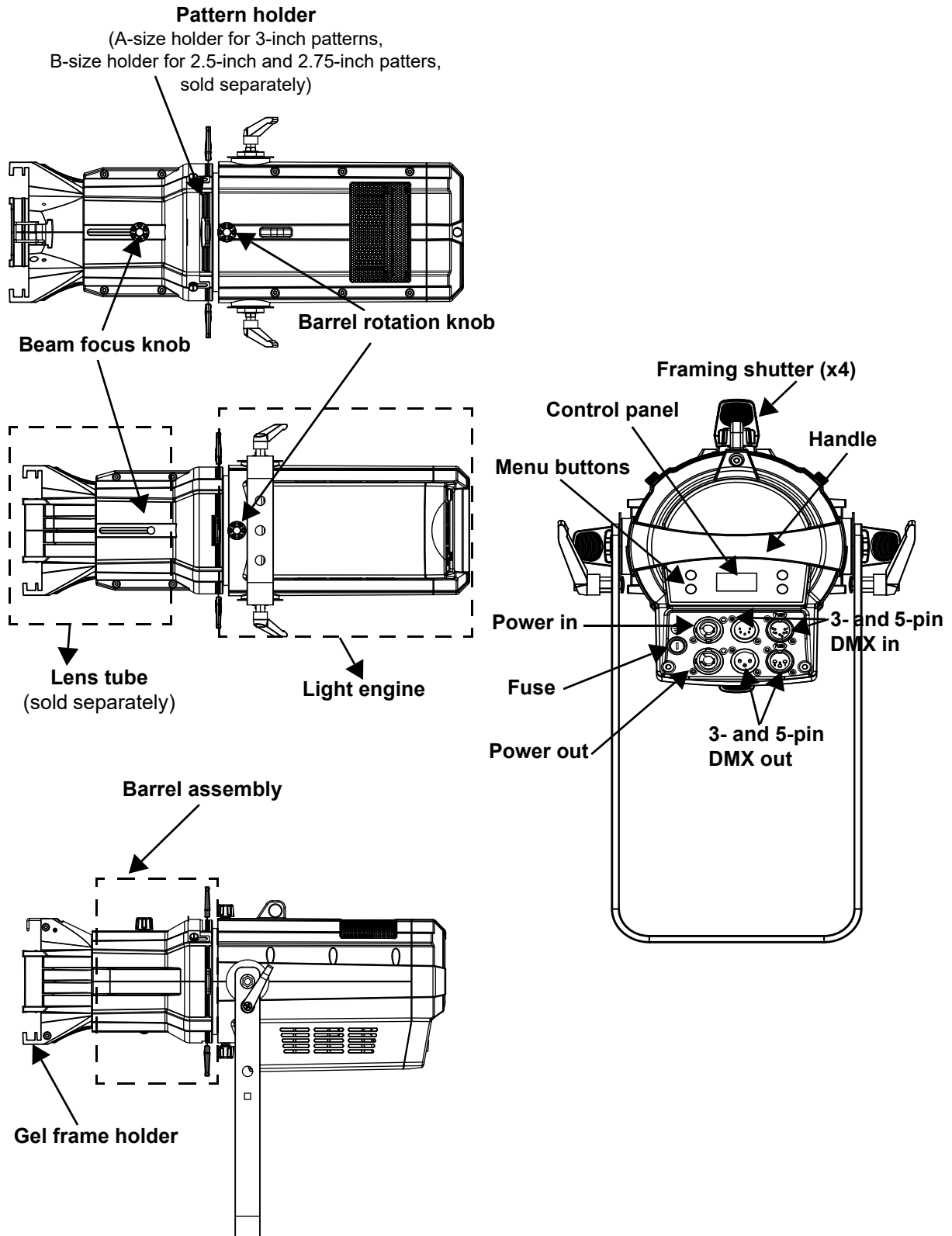
### Description

The Ovation E-910FC is a high-performance ERS-style fixture with full RGBAL color mixing and color temperature presets of 2800 K to 6500 K that match the output of a tungsten source to perfection. Control options include full 16-bit dimming (per color and master), selectable PWM, RDM, and on-board dimming curve selection. Chauvet's Virtual Color Wheel, which matches popular gel colors, is also accessible.

### Features

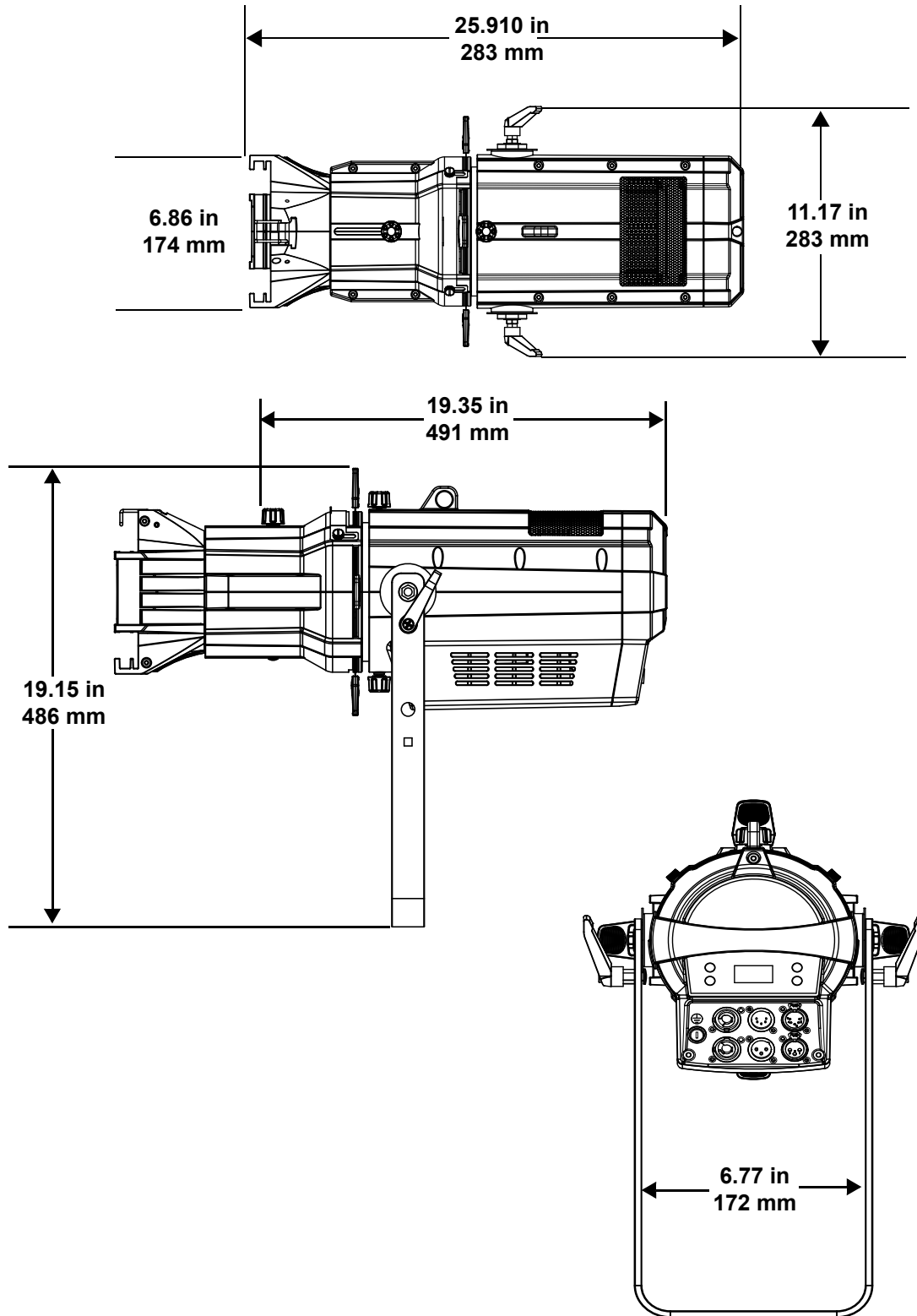
- Operating modes:
  - HSV: hue, saturation, value control
  - 1-channel: dimmer
  - 3-channel: dimmer, virtual color wheel, color temperature
  - 5-channel: RGBAL control
  - 7-channel: RGBAL control, dimmer, strobe
  - 10-channel: RGBAL control, 16-bit dimmer, strobe, virtual color wheel, color temperature
  - 12-channel: RGBAL control, dimmer, strobe, virtual control wheel, color temperature, auto programs, auto speed, control
  - 13-channel: 16-bit RGBAL and dimmer, strobe
  - 16-channel: 16-bit RGBAL and dimmer, strobe, virtual color wheel, color temperature, control
- Full-color LED (RGBAL) ERS-style lighting product for theater, film, and production
- Ultra-smooth 16-bit dimming of master dimmer and individual colors
- Flat, even field of light with superior color mixing
- Virtual color wheel with color matched to popular gel colors
- Color temperature presets from 2800 K to 6500 K with high CRI and CQS
- RDM (Remote Device Management) for added flexibility
- Adjustable PWM (Pulse Width Modulation) to avoid flickering on camera
- Virtually silent operation for use in studio and theater applications
- Works perfectly with industry-standard lens tubes and accessories

**Product Overview**





### Product Dimensions



### 3. Setup

#### AC Power

Each Ovation E-910FC has an auto-ranging power supply that works with an input voltage range of 100 to 240 VAC, 50/60 Hz. To determine the power requirements for each Ovation E-910FC, refer to the label affixed to the product or to the [Technical Specifications](#) chart in this manual.

The listed current rating indicates the maximum current draw during normal operation. For more information, download Sizing Circuit Breakers from the Chauvet website: [www.chauvetprofessional.com](http://www.chauvetprofessional.com).



- **Always connect the product to a protected circuit (a circuit breaker or fuse). Make sure the product has an appropriate electrical ground to avoid the risk of electrocution or fire.**
- **To eliminate unnecessary wear and improve its lifespan, during periods of non-use completely disconnect the product from power via breaker or by unplugging it.**



**Never connect the product to a rheostat (variable resistor) or dimmer circuit, even if the rheostat or dimmer channel serves only as a 0 to 100% switch.**

#### AC Plug

The Ovation E-910FC comes with a power input cord terminated with a Neutrik® powerCON® connector on one end and an Edison plug on the other end (U.S. market). If the power input cord that came with the product has no plug, or if the plug needs to be changed, use the table below to wire the new plug.

Connection	Wire (U.S.)	Wire (Europe)	Screw Color
AC Live	Black	Brown	Yellow or Brass
AC Neutral	White	Blue	Silver
AC Ground	Green/Yellow	Green/Yellow	Green

#### Power Linking

The product supports power linking. It is possible to power link up to 7 products at 120 V, up to 13 products at 208 V, or up to 14 products at 230 V. This product comes with a power input cord. Power-linking cables are available for purchase from Chauvet.

#### Fuse Replacement

1. Disconnect this product from the power outlet.
2. Using a Phillips-head screwdriver, unscrew the fuse holder cap from the housing.
3. Remove the blown fuse and replace with another fuse of the same type and rating (T 3.15 A, 250 V).
4. Screw the fuse holder cap back in place and reconnect power.



**Make sure to disconnect the product's power cord before replacing a blown fuse. Always replace the blown fuse with another of the same type and rating.**

#### DMX Linking

The Ovation E-910FC can be linked to a DMX controller using a 3- and 5-pin DMX connection. If using other DMX-compatible products with this product, it is possible to control each individually with a single DMX controller.

#### DMX Personalities

The Ovation E-910FC uses a 3- and 5-pin DMX data connection for the **HSV, 1Ch, 3Ch, 5Ch, 7Ch, 10Ch, 12Ch, 13Ch, and 16Ch** DMX personalities.

- Refer to the [Introduction](#) for a brief description of each DMX personality.
- Refer to the [Operation](#) chapter to learn how to configure the Ovation E-910FC to work in these personalities.
- The [DMX Values](#) section provides detailed information regarding the DMX personalities.



**For information about DMX standards, Master/Slave connectivity, or the DMX cables needed to link this product to a DMX controller, download the DMX Primer from the Chauvet website: [www.chauvetprofessional.com](http://www.chauvetprofessional.com).**

#### Remote Device Management (RDM)

Remote Device Management, or RDM, is a standard for allowing DMX-enabled devices to communicate bi-directionally along existing DMX cabling. Check with the manufacturer or the DMX controller's User Manual, as not all DMX controllers have this capability. The Ovation E-910FC supports RDM protocol that allows feedback to make changes to menu map options.

## Master/Slave Connectivity

The Master/Slave mode allows an Ovation E-910FC (the master) to control one or more Ovation E-910FC products (the slaves) without a DMX controller. One Ovation E-910FC becomes the master when running an auto or custom program, or in Static mode.

Each slave's control panel must be configured to operate in Slave mode. During Master/Slave operation, the slaves will operate in unison with the master.



**DO NOT connect a DMX controller to products operating in Master/Slave mode. The DMX controller signals may interfere with the signals from the master.**



- The [Operation](#) section of this manual provides detailed instructions on how to configure the master and slaves.
- For more information about DMX standards or the DMX cables needed to link this product to a DMX controller, download the DMX primer from the Chauvet website: [www.chauvetprofessional.com](http://www.chauvetprofessional.com).

## Mounting

Before mounting the product, read and follow the safety recommendations indicated in the [Safety Notes](#). For CHAUVET Professional line of mounting clamps, go to: <http://trusst.com/products/>.

### Orientation

Always mount this product in a safe position, ensuring that there is adequate room for ventilation, configuration, and maintenance.

### Rigging

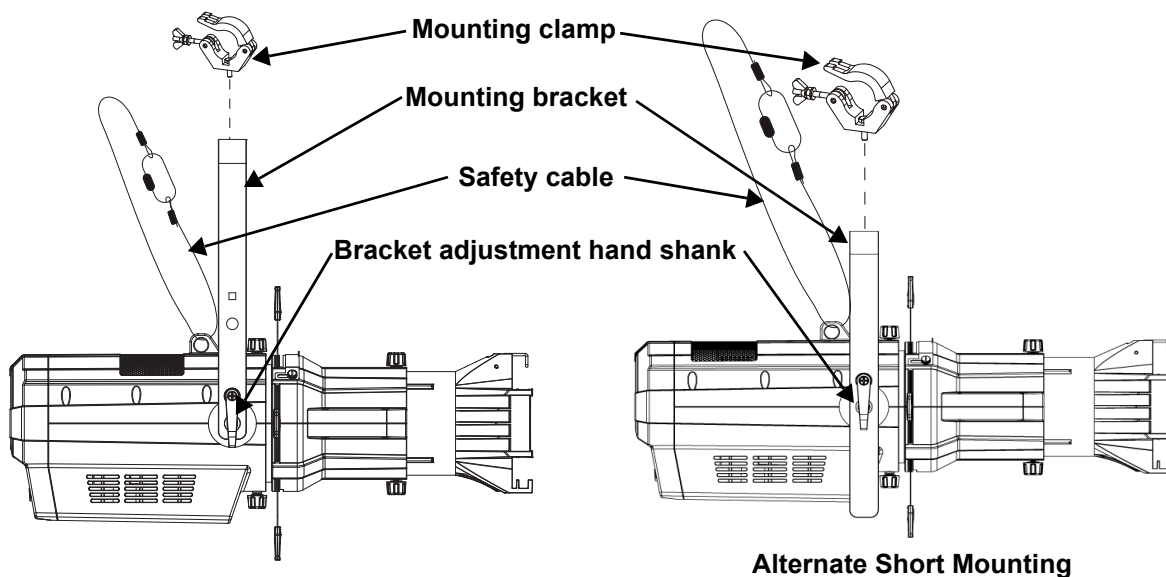
Chauvet recommends using the following general guidelines when mounting this product:

- Before deciding on a location for the product, make sure there is easy access to the product for maintenance and programming purposes.
- Make sure that the structure onto which the product will be mounted can support the product's weight. See the [Technical Specifications](#) for weight information.
- When mounting the product overhead, always use a safety cable. Mount the product securely to a rigging point, whether an elevated platform or a truss.
- When rigging the product onto a truss, use a mounting clamp of appropriate weight capacity.
- When power linking multiple products, mount the products close enough for power-linking cables to reach.
- The bracket adjustment knobs allow for directional adjustment when aiming the product to the desired angle. Only loosen or tighten the bracket knobs manually. Using tools could damage the knobs.

### Procedure

The Ovation E-910FC comes with a double-bracketed yoke that can be used as a floor stand or to which mounting clamps can be attached for hanging. Mounting clamps must be purchased separately. Ensure that the clamps can support the weight of this product. Use at least one mounting point per product where necessary.

### Mounting Diagram



## Manual Beam Focus Control

The Ovation E-910FC has a manual focus, which is adjusted as follows:

1. Locate the beam focus knobs at the top and bottom of the barrel assembly.
2. Loosen the knobs by turning them counterclockwise.
3. Slide the lens tube forward or backward until the desired focus or beam edge is achieved.
4. Tighten the knobs by turning them clockwise, which locks the lens tube's position.



**To avoid changing menu settings while focusing the Ovation E-910FC, press and hold the <ENTER> button for 3 seconds. This will put the product in Focus Mode, by increasing the intensity to 100%. To exit out of focus mode, press <MENU>.**

## Rotating the Barrel Assembly

The Ovation E-910FC allows manual rotation of the barrel assembly, as follows:

1. Locate the barrel rotation knobs at the top and bottom of the light engine.
2. Loosen the knobs by turning them counterclockwise. (**Note:** Do not remove the knobs.)
3. Rotate the barrel to the desired position, up to 25° in either direction from the centered position.
4. Tighten the knobs by turning them clockwise, which locks the barrel's position.

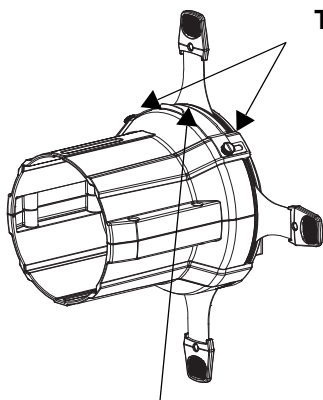


**Ensure that the barrel assembly is oriented with the pattern holder and accessory slots at the top of the product.**

## Accessory Slot

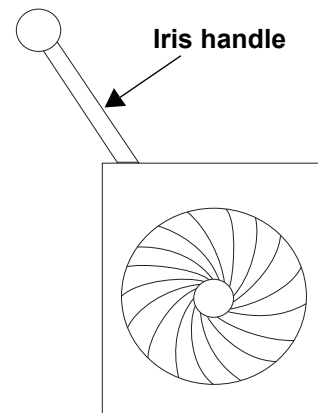
The Ovation E-910FC has an accessory slot, which holds a drop-in iris, a motorized pattern device, or various other optional accessories (sold separately).

1. Loosen the thumbscrews on the slot cover. (**Note:** Do not remove the thumbscrews).
2. Slide to cover forward.
3. Insert an accessory. (**Note:** Make sure to insert the accessory correctly. i.e., the iris handle extends upward from the slot).
4. Slide the cover back. Make sure any handles or adjustment tools that stick out the top are able to function correctly.
5. Tighten the thumbscrews to secure the cover.



Thumb screws

Accessory Slot Cover



Iris handle

Sample Drop-in Iris



- When not using the accessory slot, replace and secure the slot cover to prevent light leakage during operation.
- When obtaining any optional accessories, be sure the items are compatible with the Ovation E-910FC.

## 4. Operation

### Control Panel Operation

Button	Function
<MENU>	Exits from the current menu or function
<ENTER>	Enables the currently displayed menu or sets the currently selected value in to the current function
<UP>	Navigates upward through the menu list or increases the numeric value when in a function
<DOWN>	Navigates downward through the menu list or decreases the numeric value when in a function

### Control Options

Set the Ovation E-910FC starting address in the 001-512 DMX range. This enables control of up to 12 products in the 16-channel personality.

### Programming

Refer to the to understand the menu options. The menu map shows the main level and a variable number of programming levels for each option.

- To go to the desired main level, press <MENU> repeatedly until the option shows on the display. Press <ENTER> to select. This will show the first programming level for that option.
- To select an option or value within the current programming level, press <UP> or <DOWN> until the option shows on the display. Press <ENTER> to select. This will show either the first option if there is another programming level, or the selected value.
- Press <MENU> repeatedly to exit to the previous main level.

### Configuration (DMX)

Use DMX configurations to operate the product with a DMX controller.

#### DMX Personalities

This setting allows the user to choose a particular DMX personality.

1. Go to the **DMX Channel** main level.
2. Select the desired personality (**1Ch, 3Ch, 5Ch, 7Ch, 10Ch, 12Ch, 13Ch, 16Ch, and HSV**).



- See the [Starting Address](#) section for the highest starting address suggested for each personality.
- Make sure that the starting addresses on the various products do not overlap due to the new personality setting.

#### Starting Address

In this mode, each product will respond to a unique starting address from the DMX controller. All products with the same starting address will respond in unison.

1. Go to the **DMX Address** main level.
2. Set the starting address (**001–512**).

The highest recommended starting address for each DMX mode is as follows:

DMX Personality	DMX Address	DMX Personality	DMX Address
HSV	510	10Ch	503
1Ch	512	12Ch	501
3Ch	510	13Ch	500
5Ch	508	16Ch	497
7Ch	506		

Menu Map

Main Level	Programming Levels		Description
<b>DMX Address</b>	<b>001–512*</b>		Selects DMX address (*highest channel restricted to personality chosen)
	<b>1Ch</b>		1-channel: dimmer
<b>DMX Channel</b>	<b>3Ch</b>		3-channel: dimmer, virtual color wheel, color temperature
	<b>5Ch</b>		5-channel: RGBAL
	<b>7Ch</b>		7-channel: dimmer, RGBAL, strobe
	<b>10Ch</b>		10-channel: 16-bit dimmer, RGBAL, strobe, virtual color wheel, color temperature
	<b>12Ch</b>		12-channel: dimmer, RGBAL, strobe, virtual color wheel, color temperature, auto program, auto speed, control
	<b>13Ch</b>		13-channel: 16-bit dimmer, 16-bit RGBAL, strobe
	<b>16Ch</b>		16-channel: 16-bit dimmer, 16-bit RGBAL control, strobe, virtual color wheel, color temperature, control
	<b>HSV</b>		3-channel: hue, saturation, value
<b>Virtual Color Wheel</b>	<b>Virtual Color Wheel</b>	<b>C3050 - Md Yellow</b>	<b>Dimmer 0–255</b> Virtual Color Wheel simulates the output of each gel color. Refer to the <a href="#">Virtual Color Wheel Chart</a> for specific values.
		<b>C3040 - Lt Yellow</b>	
		<b>C3240 - Amb Yellow</b>	
		<b>C2340 - VLt Amber</b>	
		<b>C2040 - Lt Amber</b>	
		<b>C2050 - Md Amber</b>	
		<b>C2060 - Dk Amber</b>	
		<b>C1050 - Lt Red</b>	
		<b>C1080 - Md Red</b>	
		<b>C1020 - NC Pink</b>	
		<b>C1030 - Md Pink</b>	
		<b>C1630 - Dk Pink</b>	
		<b>C1250 - Md Red Amber</b>	
		<b>C1060 - Dk Red Amber</b>	
		<b>C1650 - Magenta</b>	
		<b>C6170 - Dk Magenta</b>	
		<b>C6020 - Lt Lavender</b>	
		<b>C5030 - Lt Blue</b>	
		<b>C5020 - VLt Blue</b>	
		<b>C5430 - Lt Blue 2</b>	
		<b>C5070 - Blue</b>	
		<b>C5050 - Md Blue</b>	
		<b>C5060 - Dk Blue</b>	
		<b>C5690 - Indigo</b>	
		<b>C5080 - Vdk Blue</b>	
		<b>C5081 - Vdk Blue 2</b>	
		<b>C4370 - Yel Green</b>	
		<b>C4070 - Green</b>	
		<b>C4550 - Turquoise</b>	
		<b>C4560 - Aqua</b>	
		<b>C4570 - Blue Green</b>	

Main Level	Programming Levels		Description	
Virtual Color Wheel	Color Temperature	2800K	Dimmer 0–255	Preset white color temperatures. Emulates a tungsten lamp at the specified color temperature. Refer to the <a href="#">Color Temperature Chart</a> for specific values.
		3200K		
		3500K		
		4000K		
		4500K		
		5000K		
		5600K		
		6000K		
	Manual Color Mixer	Red	0–255	
		Green		
Blue				
Amber				
	Lime			
Auto Show	Auto 1–5	1–100	Selects automatic programs and auto program speed	
Red Shift	On	Off	Mimics halogen lamp dimming	
Master/ Slave	Master		Receives DMX signal from the DMX controller (master)	
	Slave		Receives DMX signal from the master unit	
Dimmer Curve	SCurve		Sets the dimmer curve	
	Linear			
	Square			
	Inverse Square			
Dimmer Mode	Off		Linear dimmer	
	Dimmer 1–3		Dimming curves, from fast ( <b>Dimmer 1</b> ) to slow ( <b>Dimmer 3</b> )	
White Balance	Off		Uses factory default white setting	
	Manual	Red	125–255	Sets red LED maximum value
		Green		Sets green LED maximum value
		Blue		Sets blue LED maximum value
		Amber		Sets amber LED maximum value
		Lime		Sets lime LED maximum value
LED Frequency	600Hz		Sets the PWM frequency	
	1200Hz			
	2000Hz			
	4000Hz			
	6000Hz			
	25KHz			
Fan Mode	Auto		Sets the fan to auto mode	
	On		Sets the fan to always on	
	Off		Sets the fan to always off	
	Silent		Sets the fan to silent	
Back Light	10S		Turns off display backlight after 10 seconds	
	30S		Turns off display backlight after 30 seconds	
	2Min		Turns off display backlight after 2 minutes	
	Always On		Display backlight remains on	
Information	Fixture Hours	----_H	Shows total hours the product has been powered on	
	LED Hours	----_H	Shows total hours the LEDs have been powered on	
	Version	V_._	Shows current firmware version	
	UID	-----	Shows product UID	



## Configuration (Standalone)

Use standalone configuration to operate the product without a DMX controller.

### Focus Mode

Focus mode allows for focusing of the Ovation E-910FC without changing any menu settings.

1. Press and hold **<ENTER>** for 3 seconds. The intensity will increase to 100%.
2. Press **<MENU>** to exit to previous settings.

### Virtual Color Wheel

1. Go to the **Virtual Color Wheel** main level.
2. Select **Virtual Color Wheel**.
3. Select the desired gel color (see [Virtual Color Wheel Chart](#)).
4. Select the desired output level (**000–255**).

### Color Temperature

To select a color temperature, do the following:

1. Go to the **Virtual Color Wheel** main level.
2. Select **Color Temperature**.
3. Select the desired color temperature (see [Color Temperature Chart](#)).
4. Select the desired output level (**000–255**).

### Manual Color Mixer

To do color mixing without a DMX controller, follow the instructions below:

1. Go to the **Virtual Color Wheel** main level.
2. Select **Manual Color Mixer**.
3. Select the color to edit (**Red, Green, Blue, Amber, or Lime Green**).
4. Select the desired output level for that color (**000–255**).
5. Repeat steps 3 and 4 until product outputs as desired.

### Auto Programs

Auto programs allow for dynamic RGBAL color mixing without a DMX controller.

1. Go to **Auto Show** main level.
2. Select the desired auto program (**Auto 1–5**).
3. Select the desired speed (**1–100**).

### Red Shift

The Red Shift function causes the amber LEDs to imitate the appearance of a halogen lamp when dimming.

To adjust the Red Shift function, do the following:

1. Go to the **Red Shift** main level.
2. Select **On** or **Off**.

### Master/Slave

The Master/Slave mode allows a group of Ovation E-910FC products (the slaves) to simultaneously duplicate the output of another Ovation E-910FC (the master) without a DMX controller.

To set each of the slaves:

1. Go to the **Master/Slave** main level
2. Select **Slave**.

To set the master:

1. Go to the **Master/Slave** main level
2. Select **Master**.
3. Select a static setting.



- **The master is the one that runs a program whether in Auto or Static mode.**
- **Do not connect a DMX controller to the products configured for Master/Slave operation. The DMX controller may interfere with signals from the master.**
- **The master should be the first product in the daisy chain.**

### Dimmer Curve

To set the dimmer curve, follow the instructions below:

1. Go to the **Dimmer Curve** main level.
2. Select the desired option (**SCurve, Linear, Square, or Inverse Square**).



## Dimmer Profiles

This setting determines how fast the output of the Ovation E-910FC changes when the output value is modified. It provides four different options to simulate the dimming curve of an incandescent lighting product. To select a specific dimmer profile, do the following:

1. Go to the **Dimmer Mode** main level.
2. Select a dimmer curve (**Off**, **Dimmer 1**, **Dimmer 2**, or **Dimmer 3**).



**Off:** The output is proportional (linear) to the dimmer channel value.

**Dimmer 1-3:** The output follows the dimmer value based on the corresponding dimmer curve, **Dimmer 1** being the fastest.



**For optimum control of the 16-bit dimming channels in the 10Ch, 13Ch, and 15Ch personalities, ensure that the dimming curves in Dimmer Mode are set to Off.**

## White Balance

This setting determines the maximum output values for each color, which affects the appearance of a full output white.

1. Go to the **White Balance** main level.
2. Select **Off** (the product will use a default setting) or **Manual**.
3. For **Manual** mode, select the color value to edit (**Red**, **Green**, **Blue**, **Amber**, or **Lime Green**).
4. Set the maximum value for the selected color (**125–255**).
5. Repeat steps 3 and 4 until the product outputs as desired.

## LED Frequency

This option changes the Pulse Width Modulation (PWM) frequency of the LEDs on the Ovation E-910FC. To do so, follow the instructions below:

1. Go to the **LED Frequency** main level.
2. Select PWM Frequency (**600Hz**, **1200Hz**, **2000Hz**, **4000Hz**, **6000Hz**, or **25Khz**).

## Fan Mode

This setting determines how the fan speed on the Ovation E-910FC is set.

1. Go to the **Fan Mode** main level
2. Select **Auto** (fan speed will increase or decrease based on product temperature), **Off** (fan will stay off. Product output will decrease based on product temperature), **Silent** (fan will maintain a constant silent speed), or **On** (fan speed will always be at maximum).



**NOTICE: When operating in Fan Mode: Off, the output of the fixture will be reduced and will not reach the same levels as when using other fan modes.**



**WARNING: When operating in Fan Mode: Off, the fixture will become hotter to the touch than when using other fan modes. Use proper protective equipment to prevent burns. Keep a safe distance from flammable objects.**

## Back Light

This setting allows for selection of the amount of time the backlight on the Ovation E-910FC's display stays on after the last button is pressed on the control panel.

1. Go to the **Back Light** main level.
2. Select **10S** (10 seconds), **30S** (30 seconds), **2Min** (2 minutes), or **Always On** (remains on).

## System Information

This option displays the total number of hours the product has run, the installed software version, and the product's UID.

1. Go to the **Information** main level.
2. Select **Fixture Hours**, **LED Hours**, **Version**, or **UID**.

## Virtual Color Wheel (VCW)

The Ovation E-910FC includes a feature called the Virtual Color Wheel (VCW). This feature is available as a standalone control mode for manual use and as a control channel in select DMX personalities. More than 30 premixed colors, custom blended by Chauvet engineers, are available to call up for easier programming. The DMX values used to mix these colors are provided below. The overall intensity of the Ovation fixture can be adjusted to more closely replicate familiar industry-standard colors. A chart is available at [www.chauvetprofessional.com](http://www.chauvetprofessional.com) to compare Chauvet's premixed colors with popular gel colors. This chart is for comparison purposes only and is not an assertion that Chauvet's premixed colors match any of the gel colors listed.

### Virtual Color Wheel Chart

	R	G	B	A	L
<b>C3050-Md Yellow</b>	233	163	20	123	255
<b>C3040-Lt Yellow</b>	224	158	47	255	231
<b>C3240-Amb Yellow</b>	180	60	0	245	255
<b>C2340-VLt Amber</b>	245	107	81	255	213
<b>C2040-Lt Amber</b>	230	130	62	255	155
<b>C2050-Md Amber</b>	255	0	25	255	194
<b>C2060-Dk Amber</b>	255	0	24	255	150
<b>C1050-Lt Red</b>	255	37	27	30	38
<b>C1080-Md Red</b>	255	4	17	0	0
<b>C1020-NC Pink</b>	238	135	129	255	255
<b>C1030-Md Pink</b>	255	131	120	255	195
<b>C1630-Dk Pink</b>	250	165	123	255	210
<b>C1250-Md Red Amber</b>	255	0	41	195	55
<b>C1060-Dk Red Amber</b>	255	0	45	120	30
<b>C1650-Magenta</b>	255	50	115	255	115
<b>C6170-Dk Magenta</b>	255	35	117	0	0
<b>C6020-Lt Lavender</b>	127	122	142	251	255
<b>C5030-Lt Blue</b>	0	255	197	100	255
<b>C5020-VLt Blue</b>	158	255	189	0	255
<b>C5430-Lt Blue2</b>	0	255	180	0	243
<b>C5070-Blue</b>	43	255	210	43	36
<b>C5050-Md Blue</b>	0	255	218	0	181
<b>C5060-Dk Blue</b>	0	210	206	0	118
<b>C5690-Indigo</b>	65	0	210	40	55
<b>C5080-VdK Blue</b>	0	203	230	0	40
<b>C5081-VdK Blue2</b>	40	199	240	0	45
<b>C4370-Yel Green</b>	27	255	28	16	104
<b>C4070-Green</b>	49	255	55	120	90
<b>C4550-Turquoise</b>	60	230	109	0	245
<b>C4560-Aqua</b>	20	240	126	36	255
<b>C4570-Blue Green</b>	0	255	79	30	53



**Note: The colors above are simulated renditions of the color output produced compared with other similar incandescent products. Chauvet makes no guarantee of the color output accuracy.**

## Color Temperature Chart

	R	G	B	A	L
<b>2800K</b>	187	130	97	255	255
<b>3000K</b>	177	145	105	255	255
<b>3200K</b>	168	157	113	255	255
<b>3500K</b>	163	177	124	255	255
<b>4000K</b>	151	195	141	255	255
<b>4500K</b>	145	214	157	255	255
<b>5000K</b>	138	227	170	255	255
<b>5600K</b>	130	239	184	255	255
<b>6000K</b>	126	246	193	255	255
<b>6500K</b>	120	254	201	255	255



Note: The color temperatures above are simulated renditions of the color output produced compared with a tungsten lamp at the specified color temperature. Chauvet makes no guarantee of the color output accuracy.

## DMX Values

### 16Ch

Channel	Function	Value	Percent/Setting
1	Dimmer	000 ⇔ 255	0–100%
2	Dimmer fine	000 ⇔ 255	0–100%
3	Red	000 ⇔ 255	0–100%
4	Red fine	000 ⇔ 255	0–100%
5	Green	000 ⇔ 255	0–100%
6	Green fine	000 ⇔ 255	0–100%
7	Blue	000 ⇔ 255	0–100%
8	Blue fine	000 ⇔ 255	0–100%
9	Amber	000 ⇔ 255	0–100%
10	Amber fine	000 ⇔ 255	0–100%
11	Lime	000 ⇔ 255	0–100%
12	Lime fine	000 ⇔ 255	0–100%
13	Strobe	000 ⇔ 010 011 ⇔ 255	No function Strobe, slow to fast
14	Virtual color wheel	000 ⇔ 255	Refer to <a href="#">Virtual Color Wheel Chart</a>
15	Color temperature	000 ⇔ 255	Refer to <a href="#">Color Temperature Chart</a>

Channel	Function	Value	Percent/Setting
16	Control (hold for 3 seconds)	000 ⇔ 007	No function
		008 ⇔ 015	Dimmer reset
		016 ⇔ 023	Red shift on
		024 ⇔ 031	Red shift off
		032 ⇔ 039	S-curve dimmer
		040 ⇔ 047	Linear dimmer
		048 ⇔ 055	Square dimmer curve
		056 ⇔ 063	Inverse square dimmer curve
		064 ⇔ 071	Dimmer speed mode OFF
		072 ⇔ 079	Dimmer speed 1 (fastest)
		080 ⇔ 087	Dimmer speed 2
		088 ⇔ 095	Dimmer speed 3 (slowest)
		096 ⇔ 103	Fan auto
		104 ⇔ 111	Fan on
		112 ⇔ 119	Fan off
120 ⇔ 127	Fan silent		
		128 ⇔ 255	Reserved for future use

13Ch

Channel	Function	Value	Percent/Setting
1	Dimmer	000 ⇔ 255	0–100%
2	Dimmer fine	000 ⇔ 255	0–100%
3	Red	000 ⇔ 255	0–100%
4	Red fine	000 ⇔ 255	0–100%
5	Green	000 ⇔ 255	0–100%
6	Green fine	000 ⇔ 255	0–100%
7	Blue	000 ⇔ 255	0–100%
8	Blue fine	000 ⇔ 255	0–100%
9	Amber	000 ⇔ 255	0–100%
10	Amber fine	000 ⇔ 255	0–100%
11	Lime	000 ⇔ 255	0–100%
12	Lime fine	000 ⇔ 255	0–100%
13	Strobe	000 ⇔ 010	No function
		011 ⇔ 255	Strobe, slow to fast

12Ch

Channel	Function	Value	Percent/Setting
1	Dimmer	000 ⇔ 255	0–100%
2	Red	000 ⇔ 255	0–100%
3	Green	000 ⇔ 255	0–100%
4	Blue	000 ⇔ 255	0–100%
5	Amber	000 ⇔ 255	0–100%
6	Lime	000 ⇔ 255	0–100%
7	Strobe	000 ⇔ 010 011 ⇔ 255	No function Strobe, slow to fast
8	Virtual color wheel	000 ⇔ 255	Refer to <a href="#">Virtual Color Wheel Chart</a>
9	Color temperature	000 ⇔ 255	Refer to <a href="#">Color Temperature Chart</a>
10	Auto programs	000 ⇔ 010	No function
		011 ⇔ 060	Auto program 1
		061 ⇔ 110	Auto program 2
		111 ⇔ 160	Auto program 3
		161 ⇔ 210	Auto program 4
211 ⇔ 255	Auto program 5		
11	Auto speed	000 ⇔ 255	0–100%
12	Control (hold for 3 seconds)	000 ⇔ 007	No function
		008 ⇔ 015	Dimmer reset
		016 ⇔ 023	Red shift on
		024 ⇔ 031	Red shift off
		032 ⇔ 039	S-curve dimmer
		040 ⇔ 047	Linear dimmer
		048 ⇔ 055	Square dimmer curve
		056 ⇔ 063	Inverse square dimmer curve
		064 ⇔ 071	Dimmer speed mode OFF
		072 ⇔ 079	Dimmer speed 1 (fastest)
		080 ⇔ 087	Dimmer speed 2
		088 ⇔ 095	Dimmer speed 3 (slowest)
		096 ⇔ 103	Fan auto
104 ⇔ 111	Fan on		
112 ⇔ 119	Fan off		
120 ⇔ 127	Fan silent		
128 ⇔ 255	Reserved for future use		

10Ch

Channel	Function	Value	Percent/Setting
1	Dimmer	000 ⇔ 255	0–100%
2	Dimmer fine	000 ⇔ 255	0–100%
3	Red	000 ⇔ 255	0–100%
4	Green	000 ⇔ 255	0–100%
5	Blue	000 ⇔ 255	0–100%
6	Amber	000 ⇔ 255	0–100%
7	Lime	000 ⇔ 255	0–100%
8	Strobe	000 ⇔ 010 011 ⇔ 255	No function Strobe, slow to fast
9	Virtual color wheel	000 ⇔ 255	Refer to <a href="#">Virtual Color Wheel Chart</a>
10	Color temperature	000 ⇔ 255	Refer to <a href="#">Color Temperature Chart</a>

**7Ch**

Channel	Function	Value	Percent/Setting
1	Dimmer	000 ⇔ 255	0–100%
2	Red	000 ⇔ 255	0–100%
3	Green	000 ⇔ 255	0–100%
4	Blue	000 ⇔ 255	0–100%
5	Amber	000 ⇔ 255	0–100%
6	Lime	000 ⇔ 255	0–100%
7	Strobe	000 ⇔ 010 011 ⇔ 255	No function Strobe, slow to fast

**5Ch**

Channel	Function	Value	Percent/Setting
1	Red	000 ⇔ 255	0–100%
2	Green	000 ⇔ 255	0–100%
3	Blue	000 ⇔ 255	0–100%
4	Amber	000 ⇔ 255	0–100%
5	Lime	000 ⇔ 255	0–100%

**3Ch**

Channel	Function	Value	Percent/Setting
1	Dimmer	000 ⇔ 255	0–100%
2	Virtual color wheel	000 ⇔ 255	Refer to <a href="#">Virtual Color Wheel Chart</a>
3	Color temperature	000 ⇔ 255	Refer to <a href="#">Color Temperature Chart</a>

**1Ch**

Channel	Function	Value	Percent/Setting
1	Dimmer	000 ⇔ 255	0–100%

**HSV**

Channel	Function	Value	Percent/Setting
1	Hue	000 ⇔ 255	0–100%
2	Saturation	000 ⇔ 255	0–100%
3	Value	000 ⇔ 255	0–100%

## 5. Technical Information

### Product Maintenance

To maintain optimum performance and minimize wear, clean this product frequently. Usage and environment are contributing factors in determining the cleaning frequency.

Clean this product at least twice a month. Dust build-up reduces light output performance and can cause overheating. This can lead to reduced light source life and increased mechanical wear.

To clean the product:

1. Unplug the product from power.
2. Wait until the product is at room temperature.
3. Use a vacuum (or dry compressed air) and a soft brush to remove dust collected on the external vents.
4. Clean all transparent surfaces with a mild soap solution, ammonia-free glass cleaner, or isopropyl alcohol.
5. Apply the solution directly to a soft, lint-free cotton cloth or a lens-cleaning tissue.
6. Softly drag any dirt or grime to the outside of the transparent surface.
7. Gently polish the transparent surfaces until they are free of haze and lint.



**Always dry the transparent surfaces carefully after cleaning them.**

## 6. Technical Specifications

### Dimensions and Weight

Length	Width	Height	Weight
19.49 in (495 mm)	11.22 in (285 mm)	19.17 in (487 mm)	15.40 lb (7.1 kg)

**Note:** Dimensions in inches rounded to the nearest hundredth.

### Power

Power Supply Type	Range	Voltage Selection
Switching (internal)	100 to 240 VAC, 50/60 Hz	Auto-ranging

Parameter	100 V, 60 Hz	120 V, 60 Hz	208 V, 60 Hz	230 V, 50 Hz	240 V, 50 Hz
Consumption	220 W	215 W	214 W	216 W	217 W
Operating Current	2.171 A	1.786 A	1.032 A	0.935 A	0.904 A
Power-linking current (products)	13.6 A (6 products)	13.6 A (7 products)	13.6 A (13 products)	13.6 A (14 products)	13.6 A (15 products)

Power I/O	U.S./Canada	Worldwide
Power input connector	Neutrik® powerCON® A	Neutrik® powerCON® A
Power output connector	Neutrik® powerCON® B	Neutrik® powerCON® B
Power cord plug	Edison (U.S.)	Local plug

### Light Source

Type	Color	Quantity	Power	Current	Lifespan
LED	Red	18	3 W	722 mA	50,000 hours
	Green	18			
	Blue	19			
	Amber	18			
	Lime green	18			

### Photometrics

Parameter	14°	19°	26°	36°	50°	15°–30°	25°–50°
Beam angle	11°	19°	24°	28°	41°	13° 24°	23° 36°
Field angle	14°	19°	26°	34°	51°	15° 29°	26° 50°
Illuminance @ 5 m	4,420 lux	2,530 lux	1,720 lux	1,020 lux	457 lux	4,260 lux 1,620 lux	1,790 lux 825 lux
Lumens	N/A	3,236	4,316	3,918	3,813	N/A N/A	N/A N/A

### Thermal

Maximum External Temperature	Cooling System
113 °F (45 °C)	Fan-assisted convection

### DMX

I/O Connector	Channel Range
3- and 5-pin XLR	3, 5, 7, 10, 12, 13, 16, or HSV

### Ordering

Product Name	Item Name	Item Code	UPC Number
Ovation E-910FC	OVATIONE910FC	03121116	781462214647



UL 1573  
CSA C22.2 No. 166  
E113093





## Returns

---

### Returns

Send the product prepaid, in the original box, and with the original packing and accessories. Chauvet will not issue call tags.

Call Chauvet and request a Return Merchandise Authorization (RMA) number before shipping the product. Be prepared to provide the model number, serial number, and a brief description of the cause(s) for the return.

To submit a service request online, go to [www.chauvetprofessional.com/service-request](http://www.chauvetprofessional.com/service-request).

Clearly label the package with the RMA number. Chauvet will refuse any product returned without an RMA number.



**Write the RMA number on a properly affixed label. DO NOT write the RMA number directly on the box.**

Before sending the product, clearly write the following information on a piece of paper and place it inside the box:

- Your name
- Your address
- Your phone number
- RMA number
- A brief description of the problem

Be sure to pack the product properly. Any shipping damage resulting from inadequate packaging will be your responsibility. FedEx packing or double-boxing are recommended.



**Chauvet reserves the right to use its own discretion to repair or replace returned product(s).**

## Contact Us

General Information	Technical Support
<b>Chauvet World Headquarters</b>	
Address: 5200 NW 108th Ave. Sunrise, FL 33351 Voice: (954) 577-4455 Fax: (954) 929-5560 Toll Free: (800) 762-1084	Voice: (844) 393-7575 Fax: (954) 756-8015 Email: <a href="mailto:chauvetcs@chauvetlighting.com">chauvetcs@chauvetlighting.com</a> Website: <a href="http://www.chauvetprofessional.com">www.chauvetprofessional.com</a>
<b>Chauvet Europe Ltd</b>	
Address: Unit 1C Brookhill Road Industrial Estate Pinxton, Nottingham, UK NG16 6NT Voice: +44 (0) 1773 511115 Fax: +44 (0) 1773 511110	Email: <a href="mailto:UKtech@chauvetlighting.eu">UKtech@chauvetlighting.eu</a> Website: <a href="http://www.chauvetprofessional.eu">www.chauvetprofessional.eu</a>
<b>Chauvet Europe BVBA</b>	
Address: Stokstraat 18 9770 Kruishoutem Belgium Voice: +32 9 388 93 97	Email: <a href="mailto:BNLtech@chauvetlighting.eu">BNLtech@chauvetlighting.eu</a> Website: <a href="http://www.chauvetprofessional.eu">www.chauvetprofessional.eu</a>
<b>Chauvet France</b>	
Address: 3, Rue Ampère 91380 Chilly-Mazarin France Voice: +33 1 78 85 33 59	Email: <a href="mailto:FRtech@chauvetlighting.fr">FRtech@chauvetlighting.fr</a> Website: <a href="http://www.chauvetprofessional.eu">www.chauvetprofessional.eu</a>
<b>Chauvet Germany</b>	
Address: Bruno-Bürgel-Str. 11 28759 Bremen Germany Voice: +49 421 62 60 20	Email: <a href="mailto:DEtech@chauvetlighting.de">DEtech@chauvetlighting.de</a> Website: <a href="http://www.chauvetprofessional.eu">www.chauvetprofessional.eu</a>
<b>Chauvet Mexico</b>	
Address: Av. de las Partidas 34 - 3B (Entrance by Calle 2) Zona Industrial Lerma Lerma, Edo. de México, CP 52000 Voice: +52 (728) 690-2010	Email: <a href="mailto:servicio@chauvet.com.mx">servicio@chauvet.com.mx</a> Website: <a href="http://www.chauvetprofessional.mx">www.chauvetprofessional.mx</a>

Visit the applicable website above to verify our contact information and instructions to request support. Outside the U.S., U.K., Ireland, France, Germany, Benelux, or Mexico, contact the dealer of record.