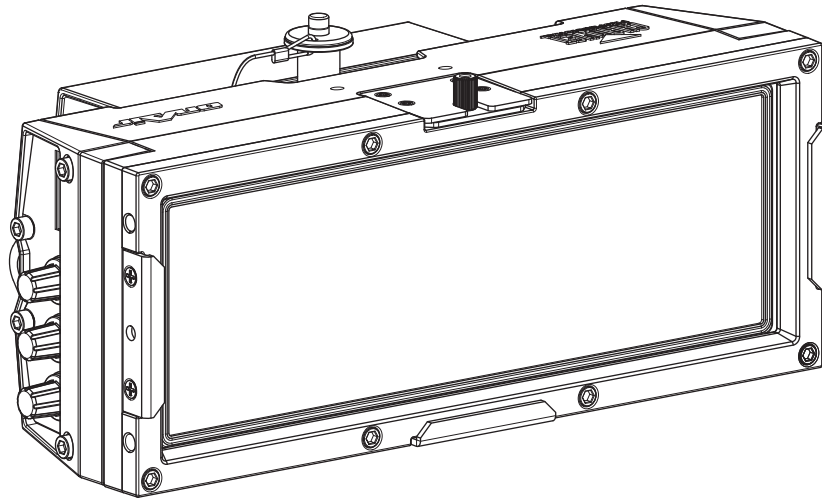


# **ONAIR IP**

## **PANEL MIN**

### **Quick Reference Guide**

English	EN
Español	ES
Français	FR
Deutsch	DE
Nederlands	NL



Model ID: ONAIRIPPANELMIN

## About This Guide

The onAir IP Panel Min Quick Reference Guide (QRG) has basic product information such as mounting, menu options, and DMX values. Download the User Manual from [www.chauvetprofessional.com](http://www.chauvetprofessional.com) for more details.

### Disclaimer

The information and specifications contained in this QRG are subject to change without notice.

### LIMITED WARRANTY

**FOR WARRANTY REGISTRATION AND COMPLETE TERMS AND CONDITIONS PLEASE VISIT OUR WEBSITE.**

**For Customers in the United States and Mexico:** [www.chauvetlighting.com/warranty-registration](http://www.chauvetlighting.com/warranty-registration).

**For Customers in the United Kingdom, Republic of Ireland, Belgium, the Netherlands, Luxembourg, France, and Germany:** [www.chauvetlighting.eu/warranty-registration](http://www.chauvetlighting.eu/warranty-registration).

Chauvet warrants that this product shall be free from defects in material and workmanship under normal use, for the period specified in, and subject to the exclusions and limitations set forth in the full limited warranty on our website. This warranty extends only to the original purchaser of the product and is not transferable. To exercise rights under this warranty, you must provide proof of purchase in the form of an original sales receipt from an authorized dealer that shows the product name and date of purchase. THERE ARE NO OTHER EXPRESS OR IMPLIED WARRANTIES. This warranty gives you specific legal rights. You may also have other rights that vary from state to state and country to country. This warranty is valid only in the United States, United Kingdom, Republic of Ireland, Belgium, the Netherlands, Luxembourg, France, Germany and Mexico. For warranty terms in other countries, please consult your local distributor.

### Safety Notes

These Safety Notes include important information about installation, use, and maintenance.

- The luminaire should be positioned so that prolonged staring into the luminaire at a distance closer than 19.7 in (50 cm) is not expected.
- If the external flexible cable or cord of this luminaire is damaged, it shall be replaced by a special cord or cord exclusively available from the manufacturer or his service agent.
- The light source contained in this luminaire shall only be replaced by the manufacturer or his service agent or a similar qualified person.
- The luminaire is intended for professional use only.
- DO NOT open this product. It contains no user-serviceable parts.
- DO NOT look at the light source when the product is on.
- To eliminate unnecessary wear and improve its lifespan, during periods of non-use completely disconnect the product from power via breaker or by unplugging it.
- CAUTION: When transferring product from extreme temperature environments, (e.g. cold truck to warm humid ballroom) condensation may form on the internal electronics of the product. To avoid causing a failure, allow product to fully acclimate to the surrounding environment before connecting it to power.
- CAUTION: This product's housing may be hot when lights are operating.
- Mount this product in a location with adequate ventilation, at least 20 in (50 cm) from adjacent surfaces.
- DO NOT leave any flammable material within 7.87 in (20 cm) of this product while operating or connected to power.
- USE a safety cable when mounting this product overhead.
- DO NOT submerge this product (IP65). Regular outdoor operation is fine.
- DO NOT operate this product if the housing, lenses, or cables appear damaged.
- DO NOT connect this product to a dimmer or rheostat.
- ONLY connect this product to a grounded and protected circuit.
- ONLY use the hanging/mounting bracket or the handles to carry this product.
- In the event of a serious operating problem, stop using immediately.
- The maximum ambient temperature is 113 °F (45 °C). Do not operate this product at higher temperatures.
- The minimum startup temperature is -4°F (-20°C). Do not start the product at lower temperatures.
- The minimum ambient temperature is -22°F (-30°C). Do not operate the product at lower temperatures.

### FCC Compliance

This device complies with Part 15 Part B of the FCC Rules. Operation is subject to the following two conditions:

1. This device may not cause harmful interference, and
2. This device must accept any interference received, including interference that may cause undesired operation.

Any changes or modifications not expressly approved by the party responsible for compliance could void the user's authority to operate the equipment.

### RF Exposure Warning for North America, and Australia

**Warning!** This equipment complies with FCC radiation exposure limits set forth for an uncontrolled environment. This equipment should be installed and operated with a minimum distance of 20cm between the radiator and your body. This transmitter must not be co-located or operating in conjunction with any other antenna or transmitter.

### Contact

Outside the U.S., U.K., Ireland, Benelux, France, Germany, or Mexico, contact your distributor to request support or return a product. Refer to [Contact Us](#) at the end of this QRG for contact information.

### What is Included

- onAir IP Panel Min
- Seetronic Powerkon IP65 cable
- DMX mini XLR adapter
- Ball-head mount
- Baby pin receiver
- Quick Reference Guide

**AC Power**

This product has an auto-ranging external power supply that can work with an input voltage range of 100–240 VAC, 50/60 Hz and converts it to a 28 V DC 3-pin IP65 XLR output.

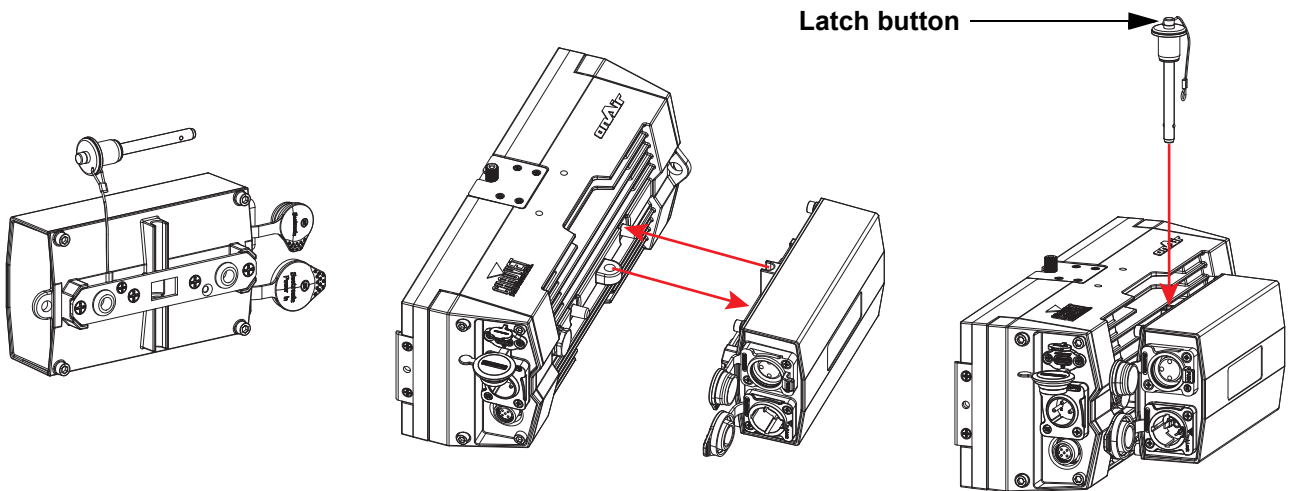
**AC Plug**

Connection	Wire (U.S.)	Wire (Europe)	Screw Color
AC Live	Black	Brown	Yellow/Brass
AC Neutral	White	Blue	Silver
AC Ground	Green/Yellow	Green/Yellow	Green

**Installing the Power Supply**

The power supply attaches to the onAir IP Panel Min with a retaining pin.

1. Align the power supply so the loop on the back of the product and the loop on the power supply line up and fit into each other.
2. Press and hold the latch button down on the retaining pin and insert it through the sets of loops on the product and power supply.
3. Release the latch button.



**DC Power**

This product has a 3-pin IP65 XLR power input port that can work with an input voltage of 28 V DC.



To eliminate unnecessary wear and improve its lifespan, during periods of non-use completely disconnect the product from power via breaker or by unplugging it.

**Signal Connection**

The onAir IP Panel Min will work with a controller or controller software using a 5-pin DMX or wireless Lumenradio CRMX™ connection. See the User Manual for information about how to connect and configure the product for these signals.

**Control Personalities**

The onAir IP Panel Min uses CRMX™ for its control personalities: **1Ch, 3Ch, 4Ch, 5Ch, 6Ch, 8Ch, 10Ch, 11Ch, and 15Ch.**

**DMX Connection**

The onAir IP Panel Min will work with a DMX controller using a 5-pin serial DMX connection or a wireless CRMX™ connection. A DMX Primer is available from [www.chauvetprofessional.com](http://www.chauvetprofessional.com).

**RDM (Remote Device Management)**

Remote Device Management, or RDM, is a standard for allowing DMX-enabled devices to communicate bi-directionally along an existing DMX connection. Check the DMX controller's User Manual or with the manufacturer as not all DMX controllers have this capability. The onAir IP Panel Min supports RDM protocol that allows feedback to make changes to menu map options. Download the User Manual from [www.chauvetprofessional.com](http://www.chauvetprofessional.com) for more details.

## Wireless Operation

In optimal conditions, the onAir IP Panel Min can operate up to 300 m (900 ft) away from the CRMX™ transmitter. The CRMX™ receiver in the onAir IP Panel Min must be paired with the CRMX™ transmitter for wireless operation.

### Initial Setup

1. Turn the CRMX™ transmitter on.
2. Connect the CRMX™ transmitter to a DMX controller.
3. Place the onAir IP Panel Min within 300 m from the CRMX™ transmitter.
4. Turn the onAir IP Panel Min on.

### Configuration

1. From the onAir IP Panel Min's control panel, go to **DMX Address**.
2. Select the start address, as with any other DMX compatible product.
3. Go to **Wireless Setting > Receive On/Off**.
4. Select **On**. (The Signal Strength Indicator will show a ? in front of the bars)
5. Press the reset button on the CRMX™ transmitter. (The Signal Strength Indicator on the onAir IP Panel Min will show a 4 in front of the bars for 3 seconds while a connection is established.)

### Product Pairing

If the onAir IP Panel Min has already been paired with the CRMX™ transmitter, the Signal Strength Indicator on top of the display will show the strength of the signal. In this case, the onAir IP Panel Min is ready to work in Wireless mode.

### Pairing the onAir IP Panel Min and a New CRMX™ Transmitter

1. From the onAir IP Panel Min control panel, go to **Wireless Setting > Receive Reset**.
2. Select **Yes**.
3. From the CRMX™ transmitter, press **<RESET>**. The signal indicator on the transmitter will flash.
4. Once the transmitter has found the onAir IP Panel Min, the signal indicator on the CRMX™ transmitter will illuminate solid.
5. The display screen on the onAir IP Panel Min will show the strength of the signal.

 **CRMX™ operation can be interrupted or inhibited by people or liquid masses, including water or snow, between the transmitter and receiver. For best results, keep the area between the transmitter and receiver clear of any liquid masses.**

### USB Software Update

The onAir IP Panel Min allows for software update through USB using the built-in USB port. To update the software using USB flash drive, do the following:

1. Power on the fixture and plug the flash drive into the USB port.
2. Once the flash drive has been detected, the message "**Upgrade Firmware**" will be displayed. Press **<ENTER>**. If a different message appears on the display, search for the update software in the menu (**Upgrade Firmware**). A list of the software update files will be displayed.
3. Select the file that needs to be uploaded. The message "**Are you sure?**" will be displayed. Press **<ENTER>**.
4. If the selected file is correct, the upgrade will be completed. Restart the product. If the selected file is incorrect, the upgrade will fail, and the display will go back to the main interface. Repeat steps 1-3 using the correct file.

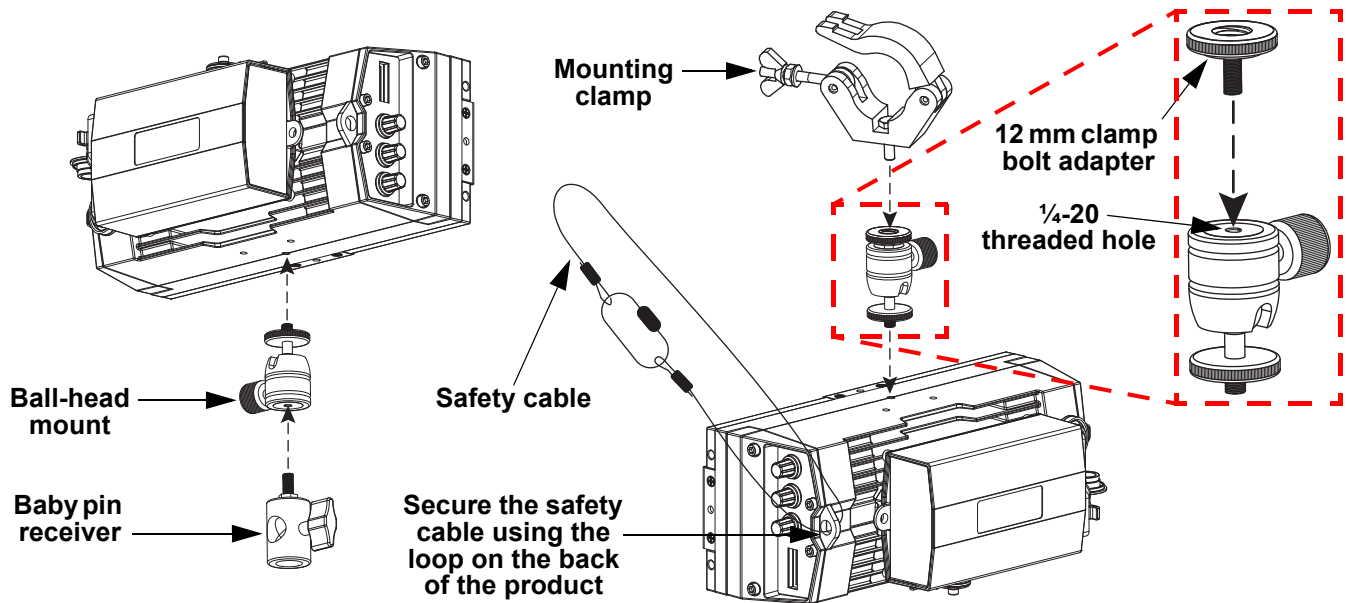


**The .chl format file needs to be placed in the ONAIR folder in the USB flash drive.**

**Mounting**

Before mounting this product, read the [Safety Notes](#).

**Mounting Diagram**

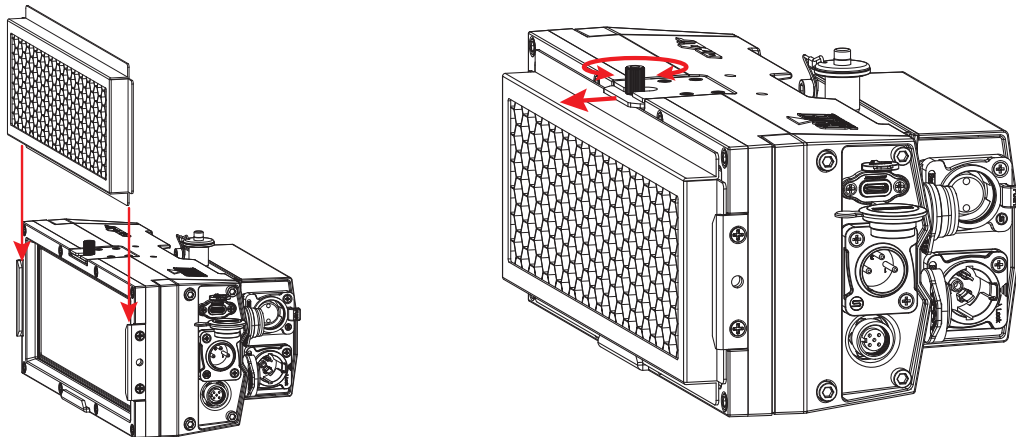


**Accessories**

The onAir IP Panel Min has an accessory slot for a filter or a honeycomb (sold separately). The optional barndoor (sold separately) fits neatly over the front of the product.

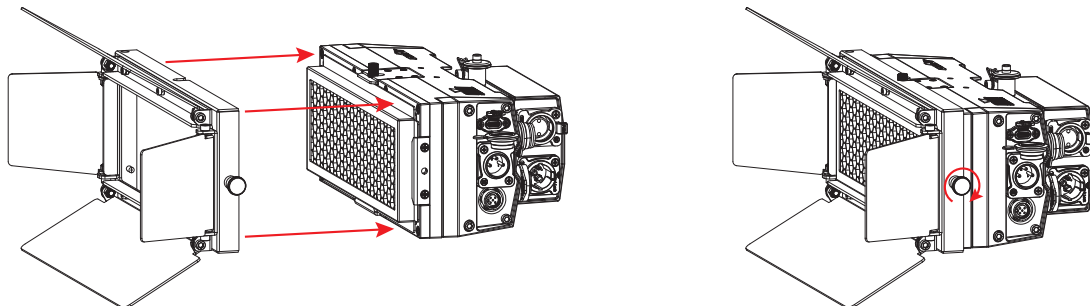
To install a filter or the honeycomb:

1. Slide the filter or honeycomb into the accessory slot.
2. Loosen the thumbscrew on top of the product and slide the panel out to secure the filter or honeycomb.
3. Tighten the thumbscrew.



To install the barndoor:

1. Place the barndoor frame around the front of the product.
2. Tighten the knob to secure the barndoor in place.



### Home Screen

The home screen of the onAir IP Panel Min shows the current settings and status of the product.



Number	Description
1	Current product temperature
2	Current wireless signal status
3	Bottom line shows details of the current control mode

### On Board Control

Pressing <MENU> twice accesses the On Board Control modes. In an On Board Control mode, the control knobs control the output of the product.

#### On Board Control Menu

Main Level	Programming Levels			Description
On Board Control	CCT Control	DIM	000–100%	Left knob controls dimmer
		HUE	-0.25–+0.25	Middle knob controls hue
		CCT	2800–8000K	Right knob controls color temperature
	HSV Control	INT	000–255	Left knob controls intensity
		HUE		Middle knob controls hue
		SAT		Right knob controls saturation
	Effect Macros	Color Chase	Speed <001–100>	Selects effect macro and speed
		Police Car		
		Firetruck		
		Fire		
Clouds				
Fireworks				
Paparazzi				
Lightning				

### Control Panel Description

Knob	Function
<DIM/INT> <MENU>	Turn to increase or decrease the dimmer value in CCT mode or the intensity in HSV mode
	Press once to access the menu
	Press twice to access On Board Control
	Press and hold to access the home screen
	Press to exit from the current menu or function or cycle through the menu map
<HUE> <UP/DOWN>	Increases or decreases the hue value in CCT mode or HSV mode
	Navigates upwards/downwards through the menu list or increases/decreases the numeric value when in a function
<CCT/SAT> <ENTER>	Turn to increase or decrease the color temperature in CCT mode, or the saturation in HSV mode
	Press to enable the currently displayed menu or set the currently selected value into the selected function

**Menu Map**

Refer to the onAir IP Panel Min product page on [www.chauvetprofessional.com](http://www.chauvetprofessional.com) for the latest menu map.

Main Level	Programming Levels				Description	
<b>DMX Address</b>	<b>001–509*</b>				Selects DMX address (*Highest channel restricted to personality chosen)	
<b>DMX Channel</b>	<b>1Ch</b>	<b>Preset CCTs</b>	<b>Hue</b>	<b>&lt;-25–25&gt;</b>	1-channel: selects a preset CCT and hue	
		<b>Manual Color Mixer</b>	<b>Red</b>	<b>&lt;000–255&gt;</b>	1-channel: combine red, green, blue, and white to make a custom color (0–100%)	
			<b>Green</b>	<b>&lt;000–255&gt;</b>		
			<b>Blue</b>	<b>&lt;000–255&gt;</b>		
			<b>White</b>	<b>&lt;000–255&gt;</b>		
	<b>3Ch</b>				3-channel: dimmer, color temperature, hue	
	<b>4Ch</b>				4-channel: 16-bit dimmer, color temperature, hue, strobe	
	<b>5Ch</b>				5-channel: RGBW	
	<b>6Ch</b>				6-channel: dimmer, RGBW, strobe	
	<b>8Ch</b>				8-channel: 16-bit RGBW	
	<b>10Ch</b>				10-channel: dimmer, 16-bit RGBW, strobe	
	<b>11Ch</b>				11-channel: dimmer, RGBW, strobe, color temperature, hue, effect macros and speed, control	
	<b>15Ch</b>				15-channel: 16-bit dimmer, 16-bit RGBW, strobe, color temperature, hue, effect macros and speed	
	<b>Static</b>	<b>Preset CCTs</b>	<b>2800K</b>	<b>Dimmer</b>	<b>&lt;000–255&gt;</b>	Selects preset color temperature, dimmer and hue
			<b>2900K</b>			
<b>3000K</b>						
<b>3100K</b>						
<b>3200K</b>						
<b>3300K</b>						
<b>3400K</b>						
<b>3500K</b>						
<b>3600K</b>						
<b>3700K</b>						
<b>3800K</b>						
<b>3900K</b>						
<b>4000K</b>						
<b>4100K</b>						
<b>4200K</b>						
<b>4300K</b>						
<b>4400K</b>						
<b>4500K</b>						
<b>4600K</b>						
<b>4700K</b>						
<b>4800K</b>						
<b>4900K</b>						
<b>5000K</b>						
<b>5100K</b>						
<b>5200K</b>						
<b>5300K</b>						
<b>5400K</b>						
<b>5500K</b>						
<b>5600K</b>						
<b>5700K</b>						
<b>6000K</b>						
<b>6500K</b>						
<b>CCT Control</b>				Correlated color temperature control		
<b>HSV Control</b>				Hue, saturation, value control		
		<b>Hue</b>	<b>&lt;-25–25&gt;</b>			

## QUICK REFERENCE GUIDE



EN

Main Level	Programming Levels			Description	
Static (cont.)	Preset CCTs (cont.)	7000K	Dimmer	<000–255>	Selects preset color temperature, dimmer and hue
		7500K			
		8000K	Hue	<-25–25>	
	Manual Color	Red	<000–255>		
Green					
Blue					
White					
Effect Macros	Color Chase	<001–100>		Selects effect macro and speed	
	Police Car				
	Firetruck				
	Fire				
	Clouds				
	Fireworks				
	Paparazzi				
	Lightning				
Red Shift	On			Enables or disables red shift	
	Off				
Master/Slave	Master			Standalone mode	
	Slave			Slave mode	
DMX Loss	Hold Last			Holds last signal received	
	Stop DMX			Holds output	
	Blackout			Blacks out the product	
Dimmer Curve	S Curve			Sets the dimmer curve	
	Linear				
	Square				
	Inverse Square				
Dimmer Mode	Off			Instantaneous dimmer	
	Dimmer 1–3			Dimmer mode, fast (1) to slow (3)	
Color Calibrate	User	Red	<125–255>		Sets maximum red LED value
		Green			Sets maximum green LED value
		Blue			Sets maximum blue LED value
		White			Sets maximum white LED value
	Factory Calibration			Color calibration set by factory	
LED Frequency	600Hz			Sets the Pulse Width Modulation frequency	
	1200Hz				
	2000Hz				
	4000Hz				
	6000Hz				
	25KHz				
Wireless Setting	Receive On/ Off	Off		Enables/disables CRMX™	
		On			
	Receive Reset	No		Resets wireless receiver	
		Yes			
Wireless to DMX	No		Converts wired CRMX™ to wired DMX output		
	Yes				
Back Light	10S			Turns off display backlight after 10 seconds of inactivity	
	30S			Turns off display backlight after 30 seconds	
	2Min			Turns off display backlight after 2 minutes of	
	Always On			Display backlight always on	



Main Level	Programming Levels		Description
Information	Fixture Hours	<_ _ _ _ _H>	Shows total hours the product has been powered on
	LED Hours	<_ _ _ _ _H>	Shows total hours the LEDs have been powered on
	Version	<V_ _ _ _>	Shows current firmware version
	UID	21A40139_ _ _ _ _	Shows product UID
Upgrade Firmware	No Such File! (if no files available)		Shows if no file available
	Upgrade All		Upgrade all available firmware
	_ _ _ _ _ .CHL		Upgrade selected firmware
	_ _ _ _ _ .CHL		
Factory Reset	...		Resets the product to factory default settings
	No Yes		

**DMX Values**

**15Ch**

Channel	Function	Value	Percent/Setting
1	Dimmer	000 ⇔ 255	0–100%
2	Fine dimmer	000 ⇔ 255	0–100%
3	Red	000 ⇔ 255	0–100%
4	Fine red	000 ⇔ 255	0–100%
5	Green	000 ⇔ 255	0–100%
6	Fine green	000 ⇔ 255	0–100%
7	Blue	000 ⇔ 255	0–100%
8	Fine blue	000 ⇔ 255	0–100%
9	White	000 ⇔ 255	0–100%
10	Fine white	000 ⇔ 255	0–100%
11	Strobe	000 ⇔ 010	No function
		011 ⇔ 255	Strobe, slow to fast

## QUICK REFERENCE GUIDE



EN

Channel	Function	Value	Percent/Setting
12	Color temperature	000 ⇔ 005	No function
		006 ⇔ 012	2800K
		013 ⇔ 019	2900K
		020 ⇔ 026	3000K
		027 ⇔ 033	3100K
		034 ⇔ 040	3200K
		041 ⇔ 047	3300K
		048 ⇔ 054	3400K
		055 ⇔ 061	3500K
		062 ⇔ 068	3600K
		069 ⇔ 075	3700K
		076 ⇔ 082	3800K
		083 ⇔ 089	3900K
		090 ⇔ 096	4000K
		097 ⇔ 103	4100K
		104 ⇔ 110	4200K
		111 ⇔ 117	4300K
		118 ⇔ 124	4400K
		125 ⇔ 131	4500K
		132 ⇔ 138	4600K
		139 ⇔ 145	4700K
		146 ⇔ 152	4800K
		153 ⇔ 159	4900K
		160 ⇔ 166	5000K
		167 ⇔ 173	5100K
		174 ⇔ 180	5200K
		181 ⇔ 187	5300K
		188 ⇔ 194	5400K
195 ⇔ 201	5500K		
202 ⇔ 208	5600K		
209 ⇔ 215	5700K		
216 ⇔ 222	6000K		
223 ⇔ 229	6500K		
230 ⇔ 236	7000K		
237 ⇔ 243	7500K		
244 ⇔ 255	8000K		
13	Hue	000 ⇔ 001	0
		002 ⇔ 255	-25–+25
14	Effect macros	000 ⇔ 010	No function
		011 ⇔ 039	Color chase
		040 ⇔ 068	Police car
		069 ⇔ 096	Firetruck
		097 ⇔ 125	Fire
		126 ⇔ 154	Clouds
		155 ⇔ 182	Fireworks
		183 ⇔ 211	Paparazzi
15	Effect macro speed	212 ⇔ 240	Lightning
		241 ⇔ 255	No function
		000 ⇔ 255	Speed, slow to fast

11Ch

Channel	Function	Value	Percent/Setting
1	Dimmer	000 ⇄ 255	0–100%
2	Red	000 ⇄ 255	0–100%
3	Green	000 ⇄ 255	0–100%
4	Blue	000 ⇄ 255	0–100%
5	White	000 ⇄ 255	0–100%
6	Strobe	000 ⇄ 010	No function
		011 ⇄ 255	Strobe, slow to fast
7	Color temperature	000 ⇄ 005	No function
		006 ⇄ 012	2800K
		013 ⇄ 019	2900K
		020 ⇄ 026	3000K
		027 ⇄ 033	3100K
		034 ⇄ 040	3200K
		041 ⇄ 047	3300K
		048 ⇄ 054	3400K
		055 ⇄ 061	3500K
		062 ⇄ 068	3600K
		069 ⇄ 075	3700K
		076 ⇄ 082	3800K
		083 ⇄ 089	3900K
		090 ⇄ 096	4000K
		097 ⇄ 103	4100K
		104 ⇄ 110	4200K
		111 ⇄ 117	4300K
		118 ⇄ 124	4400K
		125 ⇄ 131	4500K
		132 ⇄ 138	4600K
		139 ⇄ 145	4700K
		146 ⇄ 152	4800K
		153 ⇄ 159	4900K
		160 ⇄ 166	5000K
167 ⇄ 173	5100K		
174 ⇄ 180	5200K		
181 ⇄ 187	5300K		
188 ⇄ 194	5400K		
195 ⇄ 201	5500K		
202 ⇄ 208	5600K		
209 ⇄ 215	5700K		
216 ⇄ 222	6000K		
223 ⇄ 229	6500K		
230 ⇄ 236	7000K		
237 ⇄ 243	7500K		
244 ⇄ 255	8000K		
8	Hue	000 ⇄ 001	0
		002 ⇄ 255	-25–+25
9	Effect macros	000 ⇄ 010	No function
		011 ⇄ 039	Color chase
		040 ⇄ 068	Police car
		069 ⇄ 096	Firetruck
		097 ⇄ 125	Fire
		126 ⇄ 154	Clouds
		155 ⇄ 182	Fireworks
		183 ⇄ 211	Paparazzi
212 ⇄ 240	Lightning		
241 ⇄ 255	No function		

## QUICK REFERENCE GUIDE



EN

Channel	Function	Value	Percent/Setting
10	Effect macro speed	000 ⇔ 255	Speed, slow to fast
11	Control	000 ⇔ 007	No function
		008 ⇔ 015	Reset all
		016 ⇔ 023	Red shift on
		024 ⇔ 031	Red shift off
		032 ⇔ 039	S-curve dimmer
		040 ⇔ 047	Linear dimmer
		048 ⇔ 055	Square dimmer
		056 ⇔ 063	Inverse square dimmer
		064 ⇔ 071	Dimmer mode off
		072 ⇔ 079	Dimmer mode 1 (fast)
		080 ⇔ 087	Dimmer mode 2
		088 ⇔ 095	Dimmer mode 3 (slow)
		096 ⇔ 255	Reserved for future use

### 10Ch

Channel	Function	Value	Percent/Setting
1	Dimmer	000 ⇔ 255	0–100%
2	Red	000 ⇔ 255	0–100%
3	Fine red	000 ⇔ 255	0–100%
4	Green	000 ⇔ 255	0–100%
5	Fine green	000 ⇔ 255	0–100%
6	Blue	000 ⇔ 255	0–100%
7	Fine blue	000 ⇔ 255	0–100%
8	White	000 ⇔ 255	0–100%
9	Fine white	000 ⇔ 255	0–100%
10	Strobe	000 ⇔ 010	No function
		011 ⇔ 255	Strobe, slow to fast

### 8Ch

Channel	Function	Value	Percent/Setting
1	Red	000 ⇔ 255	0–100%
2	Fine red	000 ⇔ 255	0–100%
3	Green	000 ⇔ 255	0–100%
4	Fine green	000 ⇔ 255	0–100%
5	Blue	000 ⇔ 255	0–100%
6	Fine blue	000 ⇔ 255	0–100%
7	White	000 ⇔ 255	0–100%
8	Fine white	000 ⇔ 255	0–100%

### 6Ch

Channel	Function	Value	Percent/Setting
1	Dimmer	000 ⇔ 255	0–100%
2	Red	000 ⇔ 255	0–100%
3	Green	000 ⇔ 255	0–100%
4	Blue	000 ⇔ 255	0–100%
5	White	000 ⇔ 255	0–100%
6	Strobe	000 ⇔ 010	No function
		011 ⇔ 255	Strobe, slow to fast

5Ch

Channel	Function	Value	Percent/Setting
1	Dimmer	000 ⇄ 255	0–100%
2	Fine dimmer	000 ⇄ 255	0–100%
3	Color temperature	000 ⇄ 005	No function
		006 ⇄ 012	2800K
		013 ⇄ 019	2900K
		020 ⇄ 026	3000K
		027 ⇄ 033	3100K
		034 ⇄ 040	3200K
		041 ⇄ 047	3300K
		048 ⇄ 054	3400K
		055 ⇄ 061	3500K
		062 ⇄ 068	3600K
		069 ⇄ 075	3700K
		076 ⇄ 082	3800K
		083 ⇄ 089	3900K
		090 ⇄ 096	4000K
		097 ⇄ 103	4100K
		104 ⇄ 110	4200K
		111 ⇄ 117	4300K
		118 ⇄ 124	4400K
		125 ⇄ 131	4500K
		132 ⇄ 138	4600K
		139 ⇄ 145	4700K
		146 ⇄ 152	4800K
		153 ⇄ 159	4900K
		160 ⇄ 166	5000K
167 ⇄ 173	5100K		
174 ⇄ 180	5200K		
181 ⇄ 187	5300K		
188 ⇄ 194	5400K		
195 ⇄ 201	5500K		
202 ⇄ 208	5600K		
209 ⇄ 215	5700K		
216 ⇄ 222	6000K		
223 ⇄ 229	6500K		
230 ⇄ 236	7000K		
237 ⇄ 243	7500K		
244 ⇄ 255	8000K		
4	Hue	000 ⇄ 001	0
		002 ⇄ 255	-25–+25
5	Strobe	000 ⇄ 010	No function
		011 ⇄ 255	Strobe, slow to fast

4Ch

Channel	Function	Value	Percent/Setting
1	Red	000 ⇄ 255	0–100%
2	Green	000 ⇄ 255	0–100%
3	Blue	000 ⇄ 255	0–100%
4	White	000 ⇄ 255	0–100%

## QUICK REFERENCE GUIDE



EN

### 3Ch

Channel	Function	Value	Percent/Setting
1	Dimmer	000 ⇔ 255	0–100%
		000 ⇔ 005	No function
2	Color temperature	006 ⇔ 012	2800K
		013 ⇔ 019	2900K
		020 ⇔ 026	3000K
		027 ⇔ 033	3100K
		034 ⇔ 040	3200K
		041 ⇔ 047	3300K
		048 ⇔ 054	3400K
		055 ⇔ 061	3500K
		062 ⇔ 068	3600K
		069 ⇔ 075	3700K
		076 ⇔ 082	3800K
		083 ⇔ 089	3900K
		090 ⇔ 096	4000K
		097 ⇔ 103	4100K
		104 ⇔ 110	4200K
		111 ⇔ 117	4300K
		118 ⇔ 124	4400K
		125 ⇔ 131	4500K
		132 ⇔ 138	4600K
		139 ⇔ 145	4700K
		146 ⇔ 152	4800K
		153 ⇔ 159	4900K
		160 ⇔ 166	5000K
		167 ⇔ 173	5100K
174 ⇔ 180	5200K		
181 ⇔ 187	5300K		
188 ⇔ 194	5400K		
195 ⇔ 201	5500K		
202 ⇔ 208	5600K		
209 ⇔ 215	5700K		
216 ⇔ 222	6000K		
223 ⇔ 229	6500K		
230 ⇔ 236	7000K		
237 ⇔ 243	7500K		
244 ⇔ 255	8000K		
3	Hue	000 ⇔ 001	0
		002 ⇔ 255	-25–+25

### 1Ch

Channel	Function	Value	Percent/Setting
1	Dimmer	000 ⇔ 255	0–100% (color set through display menu)

## Acerca de Esta Guía

La Guía de Referencia Rápida (GRR) del onAir IP Panel Min contiene información básica sobre el producto, como montaje, opciones de menú y valores DMX. Descargue el Manual de Usuario de [www.chauvetprofessional.com](http://www.chauvetprofessional.com) para información más detallada.

## Exención de Responsabilidad

La información y especificaciones contenidas en esta GRR están sujetas a cambio sin previo aviso.

## GARANTÍA LIMITADA

**PARA VER EL REGISTRO DE GARANTÍA Y LOS TÉRMINOS Y CONDICIONES COMPLETOS, VISITE NUESTRO SITIO WEB.**

**Para clientes en los Estados Unidos y México:** [www.chauvetlighting.com/warranty-registration](http://www.chauvetlighting.com/warranty-registration).

**Para clientes en Reino Unido, República de Irlanda, Bélgica, Países Bajos, Luxemburgo, Francia y Alemania:** [www.chauvetlighting.eu/warranty-registration](http://www.chauvetlighting.eu/warranty-registration).

Chauvet garantiza que este producto estará libre de defectos de material y mano de obra en condiciones de uso normales, durante el periodo especificado, sujeto siempre a las exclusiones y limitaciones establecidas en la garantía limitada completa de nuestro sitio web. Esta garantía se concede únicamente al comprador original del producto y no es transferible. Para ejercer los derechos que otorga esta garantía, usted debe proporcionar una prueba de compra en forma de un recibo de compra original, expedido por un distribuidor autorizado, donde figure el nombre del producto y la fecha de compra. **NO EXISTEN OTRAS GARANTÍAS EXPRESAS NI IMPLÍCITAS.** Esta garantía le otorga derechos legales específicos. Es posible que a usted le asistan otros derechos, que variarán dependiendo del estado o del país. Esta garantía solamente es válida en los Estados Unidos, Reino Unido, República de Irlanda, Bélgica, Países Bajos, Luxemburgo, Francia, Alemania y México. Para conocer los términos de garantía en otros países, consulte a su distribuidor local.

## Notas de Seguridad

- La luminaria debe colocarse de forma que no sea previsible que se mire fijamente hacia ella a una distancia menor de 19,7" (50 cm).
- Si se daña el cable externo flexible de esta luminaria, se sustituirá con un cable especial o con un cable disponible exclusivamente a través del fabricante o de su agente de servicio técnico.
- Solo el fabricante, su agente de servicio o un técnico de similar cualificación podrán reemplazar la fuente de luz contenida en esta luminaria.
- La luminaria está destinada exclusivamente a un uso profesional.
- NO abra este producto. No contiene piezas reparables por el usuario.
- NO mire a la fuente de luz cuando el producto esté encendido.
- Para evitar un desgaste innecesario y alargar su vida útil, desconecte complemente el producto de la alimentación, mediante el interruptor o desenchufándolo, durante los periodos en los que no se use.
- CUIDADO: La carcasa de este producto está caliente cuando las luces están en funcionamiento.
- Monte este producto en una ubicación con ventilación adecuada, al menos a 20" (50 cm) de superficies adyacentes.
- NO deje ningún material inflamable a menos de 7,87" (20 cm) de este producto mientras esté funcionando o conectado a la alimentación.
- Cuidado: cuando transfiera el producto desde ambientes con temperatura extrema (p. ej., del remolque frío de un camión a una sala de baile con calor y humedad), puede formarse condensación en la electrónica interna del producto. Para evitar que se produzca una avería, deje que el producto se aclimate completamente al ambiente antes de conectar la alimentación.
- USE un cable de seguridad cuando monte este producto en lo alto.
- NO sumerja este producto (IP65). La operación temporal en exteriores es correcta.
- NO ponga en funcionamiento este producto si sospecha que la carcasa, lentes o cables están dañados.
- NO conecte este producto a un atenuador o reostato.
- Conecte este producto SOLO a un circuito con toma de tierra y protegido.
- Use SOLAMENTE los soportes de colgar/montar o las asas para mover este producto.
- En caso de un problema grave de funcionamiento, deje de usarlo inmediatamente.
- La máxima temperatura ambiente es de 113 °F (45 °C). No haga funcionar este producto a temperaturas más altas.
- La temperatura de inicio máxima es de -4 °F (-20 °C). No ponga en funcionamiento el producto a temperaturas más bajas.
- La temperatura ambiente mínima es de -22 °F (-30 °C). No haga funcionar el producto a temperaturas más bajas.

## Cumplimiento de la FCC

Este dispositivo cumple la parte 15, parte B de las normas FCC. El funcionamiento está supeditado al cumplimiento de estas dos condiciones:

1. Este dispositivo no puede causar interferencias perjudiciales; y
2. Este dispositivo debe aceptar cualquier interferencia recibida, incluyendo las interferencias que puedan causar un funcionamiento no deseado.

Cualquier cambio o modificación que no haya sido expresamente autorizado por la parte responsable de conformidad puede anular la potestad del usuario para hacer funcionar el equipo.

## Advertencia de exposición a RF para América del Norte y Australia

**¡Advertencia!** Este equipo cumple los límites FCC de exposición a radiación establecidos para un entorno no controlado. Este equipo debe instalarse y manejarse con una distancia mínima de 20 cm entre el radiador y su cuerpo. Este transmisor no se debe situar junto a ninguna otra antena o transmisor ni hacerse funcionar en combinación con ellos.

## Contacto

Fuera de EE. UU., Reino Unido, Irlanda, Benelux, Francia, Alemania o México póngase en contacto con su distribuidor para solicitar asistencia o devolver un producto. Consulte [Contact Us](#) al final de este GRR para información de contacto.

## Qué va Incluido

- onAir IP Panel Min
- Cable de Seetronic Powerkon IP65
- Adaptador DMX mini XLR
- Montaje de cabeza esférica
- Receptor de clavija pequeña
- Guía de Referencia Rápida

## Corriente Alterna

Este producto tiene una fuente de alimentación externa con detección automática que puede funcionar con un rango de tensión de entrada de 100 a 240 VCA, 50/60 Hz, y lo convierte en una salida XLR IP65 de 3 pines de 28 V CC.

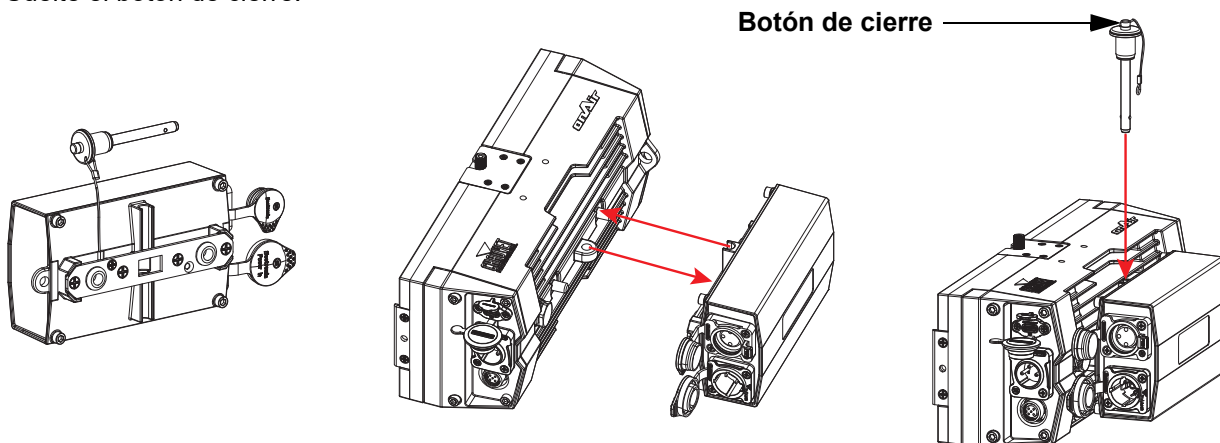
### Enchufe CA

Conexión	Cable (EE.UU.)	Cable (Europa)	Color del tornillo
CA Cargado	Negro	Marrón	Amarillo/Latón
CA Neutro	Blanco	Azul	Plata
CA Tierra	Verde/Amarillo	Verde/Amarillo	Verde

## Instalación de la fuente de alimentación

La fuente de alimentación se acopla al onAir IP Panel Min con una clavija de retención.

1. Alinee la fuente de alimentación de forma que el lazo de la parte trasera del producto y el lazo de la fuente de alimentación estén alineados y encajen entre sí.
2. Mantenga presionado el botón de cierre de la clavija de retención e insértelo a través de los conjuntos de lazos del producto y la fuente de alimentación.
3. Suelte el botón de cierre.



## Corriente continua

Este producto tiene un puerto de entrada de alimentación XLR IP65 de 3 pines que puede funcionar con un tensión de entrada de 28 VCC.



**Para evitar un desgaste innecesario y alargar su vida útil, desconecte completamente el producto de la alimentación, mediante el interruptor o desenchufándolo, durante los periodos en los que no se use.**

## Conexiones de señal

Puede enlazar el onAir IP Panel Min a un controlador o software controlador usando una conexión DMX cableada o una conexión CRM<sup>TM</sup> de Lumenradio inalámbrica. Consulte el Manual de usuario para obtener información sobre cómo conectar y configurar el producto para estas señales.

### Personalidades de control

El onAir IP Panel Min usa DMX y CRM<sup>TM</sup> para sus personalidades de control: **1Ch, 3Ch, 4Ch, 5Ch, 6Ch, 8Ch, 10Ch, 11Ch y 15Ch.**

### Conexión DMX

El onAir IP Panel Min funcionará con un controlador DMX usando una conexión serie DMX de 5 pines o una conexión CRM<sup>TM</sup> inalámbrica. Hay un Manual DMX disponible en [www.chauvetprofessional.com](http://www.chauvetprofessional.com).

### RDM (gestión remota del dispositivo)

Remote Device Management (gestión remota del dispositivo) o RDM, es un estándar que permite a los dispositivos con capacidad DMX una comunicación bidireccional por un cableado DMX existente. El onAir IP Panel Min admite protocolo RDM, que posibilita información para supervisar cambiar las opciones del mapa de menú. Descargue el manual de usuario de [www.chauvetprofessional.com](http://www.chauvetprofessional.com) para una información más detallada.



## Funcionamiento inalámbrica

En condiciones óptimas, el onAir IP Panel Min puede funcionar a una distancia de hasta 300 m (900 ft) del transmisor CRMX™. El receptor CRMX™ del onAir IP Panel Min tiene que estar emparejado con el transmisor CRMX™ para el funcionamiento inalámbrica.

### Configuración inicial

1. Encienda el transmisor CRMX™.
2. Conecte el transmisor CRMX™ a un controlador DMX.
3. Sitúe el onAir IP Panel Min a una distancia de hasta 300 m del transmisor CRMX™.
4. Encienda el onAir IP Panel Min.

### Configuración

1. Desde el panel de control del onAir IP Panel Min vaya a **DMX Address**.
2. Seleccione la dirección de inicio, al igual que con cualquier otro producto compatible con DMX.
3. Vaya a **Wireless Setting > Receive On/Off**.
4. Seleccione **On**. (en el indicador de potencia de señal aparecerá una ? delante de las barras)
5. Pulse el botón de reinicio del transmisor W-DMX. (en el indicador de potencia de señal del onAir IP Panel Min aparecerá 4 delante de las barras durante 3 segundos mientras se establece la conexión.)

### Emparejamiento de productos

Si el onAir IP Panel Min ya se ha emparejado con el transmisor CRMX™, el indicador de potencia de señal en la parte superior de la pantalla mostrará la potencia de la señal. En este caso, el onAir IP Panel Min está listo para funcionar en modo inalámbrica.

### Emparejar el onAir IP Panel Min con un nuevo transmisor CRMX™

1. Desde el panel de control del onAir IP Panel Min's vaya a **Wireless Setting > Receive Reset**.
2. Seleccione **Yes**.
3. Desde el transmisor CRMX™, pulse **<RESET>**. El indicador de señal del transmisor parpadeara.
4. Una vez que el transmisor haya encontrado el onAir IP Panel Min, el indicador de señal del transmisor CRMX™ se iluminara de forma constante.
5. La pantalla del onAir IP Panel Min mostrará la intensidad de la señal.



**Masas líquidas entre el transmisor y el receptor, como agua, nieve o personas, pueden interrumpir o impedir el funcionamiento por CRMX™. Para mejores resultados, mantenga la zona entre el transmisor y el receptor sin ninguna masa líquida.**

### Actualización de software USB

El onAir IP Panel Min permite la actualización de software por USB utilizando el puerto USB incorporado. Para actualizar el software utilizando una unidad USB, haga lo siguiente:

1. Encienda el aparato y conecte la unidad USB al puerto USB.
2. Una vez detectada la unidad, aparecerá el mensaje **"Upgrade Firmware (Actualizar firmware)"**. Pulse **<ENTER>**. Si aparece un mensaje diferente en la pantalla, busque el software actualizado en el menú (**Upgrade Firmware**). Se mostrará una lista de los archivos de software actualizados.
3. Seleccione el archivo que necesite cargarse. Aparecerá el mensaje **"Are you sure? (¿Está seguro?)"**. Pulse **<ENTER>**.
4. Si el archivo seleccionado es correcto, se completará la mejora. Reinicie el aparato.
5. Si el archivo seleccionado es incorrecto, la mejora fallará y la pantalla volverá a la interfaz principal. Repita los pasos 1-3 utilizando el archivo correcto.

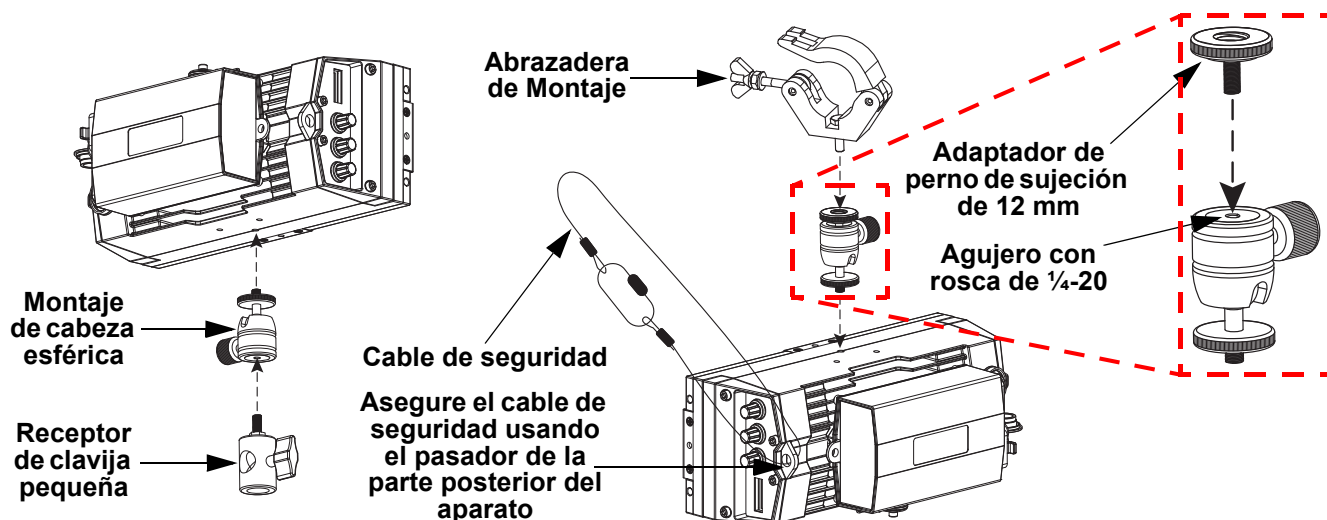


**El archivo con formato .chl tiene que colocarse en la carpeta "ONAIR" en la unidad USB.**

## Montaje

Antes de montar este producto, lea las [Notas de Seguridad](#).

### Diagrama de Montaje del Producto

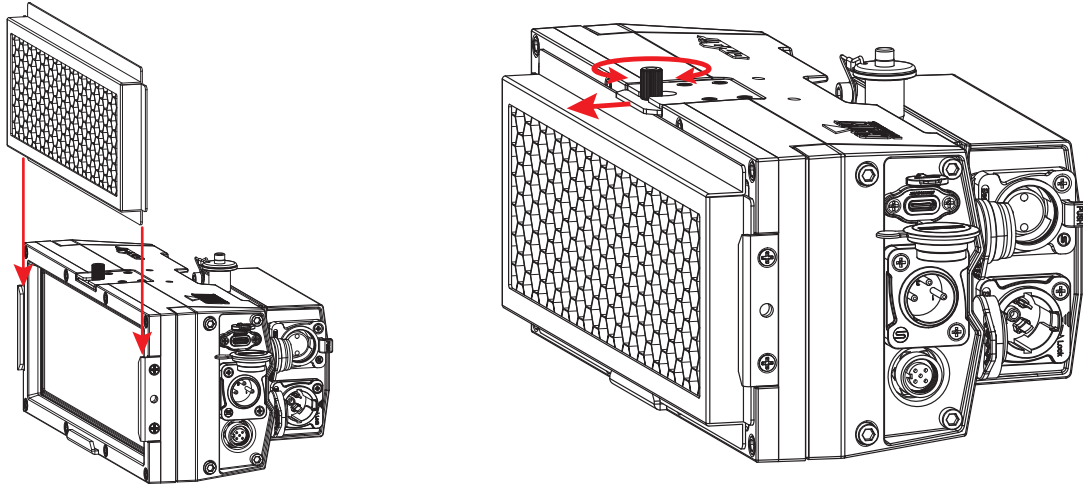


**Accesorios**

El onAir IP Panel Min tiene una ranura de accesorios para un filtro o una estructura aplanada (vendidos por separado). La visera opcional (vendida por separado) se ajusta perfectamente en la parte delantera del producto.

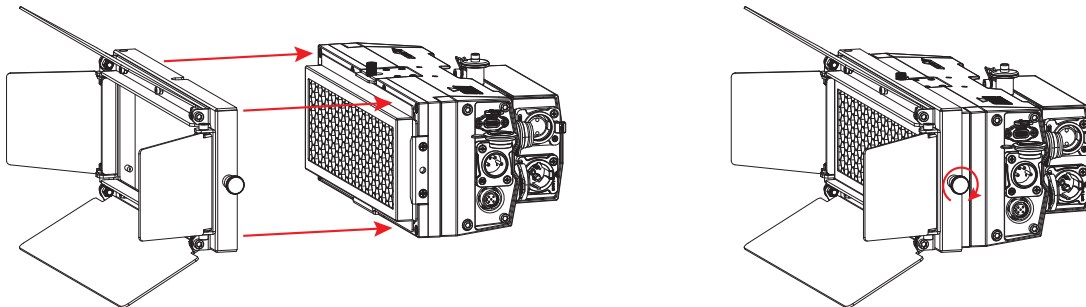
Para instalar un filtro en la estructura aplanada:

1. Deslice el filtro o estructura aplanada en la ranura de accesorios.
2. Afloje el tornillo de apriete manual de la parte superior del producto y deslice el panel hacia afuera para fijar el filtro o estructura aplanada.
3. Apriete el tornillo manual.



Para instalar la visera:

1. Coloque el bastidor de la visera alrededor de la parte delantera del producto.
2. Apriete el mando para fijar la visera en su sitio.



## Pantalla de inicio

La pantalla de inicio del onAir IP Panel Min muestra la configuración actual y el estado del producto.



Numero	Descripción
1	Temperatura actual del producto
2	Estado actual de la señal inalámbrica
3	La línea inferior muestra detalles del modo de control actual

## On Board Control

A pulsar <MENU> dos veces se accede a los modos de On Board Control (control integrado). En un modo de On Board Control, los mandos controlan las salidas del producto.

### Menú de On Board Control

Nivel Principal	Niveles de Programación		Descripción	
On Board Control	CCT Control	DIM	000–100%	El mando izquierdo controla la atenuación
		HUE	-0.25–+0.25	El mando central controla el tono
		CCT	2800–8000K	El mando derecho controla la temperatura de color
	HSV Control	INT	000–255	El mando izquierdo controla la intensidad
		HUE		El mando central controla el tono
		SAT		El mando derecho controla la saturación
	Effect Macros	Color Chase	Speed <001–100>	Seleccionada un macro de efecto y velocidad
		Police Car		
		Firetruck		
		Fire		
Clouds				
Fireworks				
Paparazzi				
Lightning				

## Descripción del Panel de Control

Mando	Función
<DIM/INT> <MENU>	Gire para aumentar o disminuir el valor del atenuador en modo CCT o la intensidad en modo HSV
	Pulse una vez para acceder al menú
	Pulse dos veces para acceder al On Board Control
	Mantenga pulsado para acceder a la pantalla de inicio
<HUE> <UP/DOWN>	Pulse para salir del menú o función actual o recorrer cíclicamente el mapa de menú
	Aumenta o disminuye el valor del tono en modo CCT o en modo HSV
<CCT/SAT> <ENTER>	Navega hacia arriba/abajo por la lista de menú o aumenta/disminuye el valor numérico cuando está en una función
	Gire para aumentar o disminuir la temperatura de color en modo CCT o la saturación en modo HSV
	Pulse para habilitar el menú actualmente en pantalla o configurar el valor seleccionado actualmente dentro de la función seleccionada

**Mapa de Menú**

Consulte la página del producto onAir IP Panel Min en [www.chauvetprofessional.com](http://www.chauvetprofessional.com) para ver el último mapa de menú.

Nivel Principal	Niveles de Programación				Descripción
<b>DMX Address</b>	<b>001–509*</b>				Selecciona la dirección de inicio (*canal más alto restringido a la elección de personalidad)
<b>DMX Channel</b>	<b>1Ch</b>	<b>Preset CCTs</b>	<b>Hue</b>	<b>&lt;-25–25&gt;</b>	1 canal: selecciona una CCT y tono
			<b>Manual Color Mixer</b>	<b>Red</b>	<b>&lt;000–255&gt;</b>
		<b>Green</b>		<b>&lt;000–255&gt;</b>	
		<b>Blue</b>		<b>&lt;000–255&gt;</b>	
		<b>White</b>		<b>&lt;000–255&gt;</b>	
	<b>3Ch</b>				3 canales: atenuador, temperatura de color, tono
	<b>4Ch</b>				4 canales: atenuador de 16 bits, temperatura de color, tono, estroboscopio
	<b>5Ch</b>				5 canales: RGBW
	<b>6Ch</b>				6 canales: atenuador, RGBW, estroboscopio
	<b>8Ch</b>				8 canales: RGBW de 16 bits
	<b>10Ch</b>				10 canales: atenuador, RGBW de 16 bits, estroboscopio
<b>11Ch</b>				11 canales: atenuador, RGBW, estroboscopio, temperatura de color, tono, macros de efectos y velocidad, control	
<b>15Ch</b>				15 canales: atenuador de 16 bits, RGBW de 16 bits, estroboscopio, temperatura de color, tono, macros de efectos y velocidad	
<b>CCT Control</b>				Control de temperatura de color correlacionado	
<b>HSV Control</b>				Control de tono, saturación, valor	
<b>Static</b>	<b>Preset CCTs</b>	<b>2800K</b>	<b>Dimmer</b>	<b>&lt;000–255&gt;</b>	Seleccionada una temperatura de color preestablecida, atenuador y tono
		<b>2900K</b>			
		<b>3000K</b>			
		<b>3100K</b>			
		<b>3200K</b>			
		<b>3300K</b>			
		<b>3400K</b>			
		<b>3500K</b>			
		<b>3600K</b>			
		<b>3700K</b>			
		<b>3800K</b>			
		<b>3900K</b>			
		<b>4000K</b>			
		<b>4100K</b>			
		<b>4200K</b>			
		<b>4300K</b>			
		<b>4400K</b>			
		<b>4500K</b>			
		<b>4600K</b>			
		<b>4700K</b>			
		<b>4800K</b>			
		<b>4900K</b>			
		<b>5000K</b>			
		<b>5100K</b>			
		<b>5200K</b>			
		<b>5300K</b>			
		<b>5400K</b>			
<b>5500K</b>					
<b>5600K</b>					
<b>5700K</b>					
<b>6000K</b>					
		<b>Hue</b>	<b>&lt;-25–25&gt;</b>		

Nivel Principal	Niveles de Programación			Descripción	
<b>Static</b> (cont.)	<b>Preset CCTs</b> (cont.)	6500K	<b>Dimmer</b>  <b>Hue</b>	<000–255>	Seleccionada una temperatura de color preestablecida, atenuador y tono
		7000K			
		7500K			
		8000K		<-25–25>	
	<b>Manual Color Mixer</b>	Red	<000–255>		Combina rojo, verde, azul y blanco para generar un color personalizado (0–100%)
		Green			
Blue					
White					
<b>Effect Macros</b>	<b>Color Chase</b>	<001–100>		Seleccionada un macro de efecto y velocidad	
	Police Car				
	Firetruck				
	Fire				
	Clouds				
	Fireworks				
	Paparazzi				
Lightning					
<b>Red Shift</b>	On			Activa/desactiva el cambio a rojo	
	Off				
<b>Master/Slave</b>	Master			Modo autónomo	
	Slave			Modo esclavo	
<b>DMX Loss</b>	Hold Last			Mantiene la última señal recibida	
	Stop DMX			Mantiene la salida actual	
	Blackout			Pone el dispositivo en blackout	
<b>Dimmer Curve</b>	S Curve			Configura la curva del atenuador	
	Linear				
	Square				
	Inverse Square				
<b>Dimmer Mode</b>	Off			Atenuador lineal	
	Dimmer 1–3			Modos de atenuador rápido (1) a lento (3)	
<b>Color Calibration</b>	Off			Desactiva el calibración de color	
	<b>User Calibration</b>	Red	<125–255>		Establece el valor máximo de LED rojo
		Green			Establece el valor máximo de LED verde
		Blue			Establece el valor máximo de LED azul
		White			Establece el valor máximo de LED blanco
<b>Factory Calibration</b>			La calibración del color configurada de fábrica		
<b>LED Frequency</b>	600Hz			Selecciona la frecuencia de emisión PWM	
	1200Hz				
	2000Hz				
	4000Hz				
	6000Hz				
	25KHz				
<b>Wireless Setting</b>	<b>Receive On/Off</b>	Off		Activa/desactiva CRMX™	
		On			
	<b>Receive Reset</b>	No		Restablece el receptor inalámbrico	
		Yes			
<b>Wireless To DMX</b>	No		Activa/desactiva CRMX™ a DMX		
	Yes				
<b>Back Light</b>	10S			Retro-iluminación se apaga después de 10 segundos de inactividad	
	30S			Retro-iluminación se apaga después de 30 segundos	
	2Min			Retro-iluminación se apaga después de 2 minutos	
	Always On			Retro-iluminación de la pantalla siempre activa	

ES

Nivel Principal	Niveles de Programación		Descripción
Information	Fixture Hours	<_ _ _ _ _H>	Muestra el nombre total de las horas del producto
	LED Hours	<_ _ _ _ _H>	Muestra el total de horas de LED
	Version	<V_ _ _ _>	Muestra instalada la versión de firmware
	UID	21A40139_ _ _ _ _	Muestra la UID del producto
Upgrade Firmware	No Such File! (si no hay archivo disponible)		Muestra si no hay archivo disponible
	Upgrade All		Actualizar todo el firmware disponible
	_ _ _ _ _ _ _ _ .CHL		Actualizar el firmware seleccionado
	_ _ _ _ _ _ _ _ .CHL		
Factory Reset	...		Reinicia a la configuración de fábrica
	No Yes		

### Valores DMX

#### 15Ch

Canal	Función	Valor	Porcentaje/Configuración
1	Atenuador	000 ⇔ 255	0–100%
2	Atenuador fino	000 ⇔ 255	0–100%
3	Rojo	000 ⇔ 255	0–100%
4	Rojo fino	000 ⇔ 255	0–100%
5	Verde	000 ⇔ 255	0–100%
6	Verde fino	000 ⇔ 255	0–100%
7	Azul	000 ⇔ 255	0–100%
8	Azul fino	000 ⇔ 255	0–100%
9	Blanco	000 ⇔ 255	0–100%
10	Blanco fino	000 ⇔ 255	0–100%
11	Estroboscopio	000 ⇔ 010	Sin función
		011 ⇔ 255	Estroboscopio, lento a rápido

Canal	Función	Valor	Porcentaje/Configuración
<b>12</b>	<b>Temperatura de color</b>	000 ⇄ 005	Sin función
		006 ⇄ 012	2800K
		013 ⇄ 019	2900K
		020 ⇄ 026	3000K
		027 ⇄ 033	3100K
		034 ⇄ 040	3200K
		041 ⇄ 047	3300K
		048 ⇄ 054	3400K
		055 ⇄ 061	3500K
		062 ⇄ 068	3600K
		069 ⇄ 075	3700K
		076 ⇄ 082	3800K
		083 ⇄ 089	3900K
		090 ⇄ 096	4000K
		097 ⇄ 103	4100K
		104 ⇄ 110	4200K
		111 ⇄ 117	4300K
		118 ⇄ 124	4400K
		125 ⇄ 131	4500K
		132 ⇄ 138	4600K
		139 ⇄ 145	4700K
		146 ⇄ 152	4800K
		153 ⇄ 159	4900K
		160 ⇄ 166	5000K
		167 ⇄ 173	5100K
		174 ⇄ 180	5200K
		181 ⇄ 187	5300K
188 ⇄ 194	5400K		
195 ⇄ 201	5500K		
202 ⇄ 208	5600K		
209 ⇄ 215	5700K		
216 ⇄ 222	6000K		
223 ⇄ 229	6500K		
230 ⇄ 236	7000K		
237 ⇄ 243	7500K		
244 ⇄ 255	8000K		
<b>13</b>	<b>Tono</b>	000 ⇄ 001	0
		002 ⇄ 255	-25--+25
<b>14</b>	<b>Macros de efectos</b>	000 ⇄ 010	Sin función
		011 ⇄ 039	Secuencia de color
		040 ⇄ 068	Coche de policía
		069 ⇄ 096	Camión de bomberos
		097 ⇄ 125	Fuego
		126 ⇄ 154	Nubes
		155 ⇄ 182	Fuegos artificiales
		183 ⇄ 211	Paparazzi
		212 ⇄ 240	Relámpago
241 ⇄ 255	Sin función		
<b>15</b>	<b>Velocidad de macro</b>	000 ⇄ 255	Velocidad, lento a rápido

ES

11Ch

Canal	Función	Valor	Porcentaje/Configuración
1	Atenuador	000 ⇔ 255	0–100%
2	Rojo	000 ⇔ 255	0–100%
3	Verde	000 ⇔ 255	0–100%
4	Azul	000 ⇔ 255	0–100%
5	Blanco	000 ⇔ 255	0–100%
6	Estroboscopio	000 ⇔ 010 011 ⇔ 255	Sin función Estroboscopio, lento a rápido
7	Temperatura de color	000 ⇔ 005 006 ⇔ 012 013 ⇔ 019 020 ⇔ 026 027 ⇔ 033 034 ⇔ 040 041 ⇔ 047 048 ⇔ 054 055 ⇔ 061 062 ⇔ 068 069 ⇔ 075 076 ⇔ 082 083 ⇔ 089 090 ⇔ 096 097 ⇔ 103 104 ⇔ 110 111 ⇔ 117 118 ⇔ 124 125 ⇔ 131 132 ⇔ 138 139 ⇔ 145 146 ⇔ 152 153 ⇔ 159 160 ⇔ 166 167 ⇔ 173 174 ⇔ 180 181 ⇔ 187 188 ⇔ 194 195 ⇔ 201 202 ⇔ 208 209 ⇔ 215 216 ⇔ 222 223 ⇔ 229 230 ⇔ 236 237 ⇔ 243 244 ⇔ 255	Sin función 2800K 2900K 3000K 3100K 3200K 3300K 3400K 3500K 3600K 3700K 3800K 3900K 4000K 4100K 4200K 4300K 4400K 4500K 4600K 4700K 4800K 4900K 5000K 5100K 5200K 5300K 5400K 5500K 5600K 5700K 6000K 6500K 7000K 7500K 8000K
8	Tono	000 ⇔ 001 002 ⇔ 255	0 -25–+25
9	Macros de efectos	000 ⇔ 010 011 ⇔ 039 040 ⇔ 068 069 ⇔ 096 097 ⇔ 125 126 ⇔ 154 155 ⇔ 182 183 ⇔ 211 212 ⇔ 240 241 ⇔ 255	Sin función Secuencia de color Coche de policía Camión de bomberos Fuego Nubes Fuegos artificiales Paparazzi Relámpago Sin función



Canal	Función	Valor	Porcentaje/Configuración
10	Velocidad de macro	000 ⇔ 255	Velocidad, lento a rápido
11	Control	000 ⇔ 007	Sin función
		008 ⇔ 015	Restablecer el atenuador
		016 ⇔ 023	Activa el cambio a rojo
		024 ⇔ 031	Desactiva el cambio a rojo
		032 ⇔ 039	Atenuador S-curve
		040 ⇔ 047	Atenuador lineal
		048 ⇔ 055	Atenuador cuadrado
		056 ⇔ 063	Atenuador cuadrado inverso
		064 ⇔ 071	Modo de atenuador apagado
		072 ⇔ 079	Modo de atenuador 1 (lento)
		080 ⇔ 087	Modo de atenuador 2
		088 ⇔ 095	Modo de atenuador 3 (rápido)
		096 ⇔ 255	Reservado para uso futuro

**10Ch**

Canal	Función	Valor	Porcentaje/Configuración
1	Atenuador	000 ⇔ 255	0–100%
2	Rojo	000 ⇔ 255	0–100%
3	Rojo fino	000 ⇔ 255	0–100%
4	Verde	000 ⇔ 255	0–100%
5	Verde fino	000 ⇔ 255	0–100%
6	Azul	000 ⇔ 255	0–100%
7	Azul fino	000 ⇔ 255	0–100%
8	Blanco	000 ⇔ 255	0–100%
9	Blanco fino	000 ⇔ 255	0–100%
10	Estroboscopio	000 ⇔ 010	Sin función
		011 ⇔ 255	Estroboscopio, lento a rápido

**8Ch**

Canal	Función	Valor	Porcentaje/Configuración
1	Rojo	000 ⇔ 255	0–100%
2	Rojo fino	000 ⇔ 255	0–100%
3	Verde	000 ⇔ 255	0–100%
4	Verde fino	000 ⇔ 255	0–100%
5	Azul	000 ⇔ 255	0–100%
6	Azul fino	000 ⇔ 255	0–100%
7	Blanco	000 ⇔ 255	0–100%
8	Blanco fino	000 ⇔ 255	0–100%

**6Ch**

Canal	Función	Valor	Porcentaje/Configuración
1	Atenuador	000 ⇔ 255	0–100%
2	Rojo	000 ⇔ 255	0–100%
3	Verde	000 ⇔ 255	0–100%
4	Azul	000 ⇔ 255	0–100%
5	Blanco	000 ⇔ 255	0–100%
6	Estroboscopio	000 ⇔ 010	Sin función
		011 ⇔ 255	Estroboscopio, lento a rápido

**5Ch**

Canal	Función	Valor	Porcentaje/Configuración
1	Atenuador	000 ⇔ 255	0–100%
2	Atenuador fino	000 ⇔ 255	0–100%

ES

Canal	Función	Valor	Porcentaje/Configuración
3	Temperatura de color	000 ⇔ 005	Sin función
		006 ⇔ 012	2800K
		013 ⇔ 019	2900K
		020 ⇔ 026	3000K
		027 ⇔ 033	3100K
		034 ⇔ 040	3200K
		041 ⇔ 047	3300K
		048 ⇔ 054	3400K
		055 ⇔ 061	3500K
		062 ⇔ 068	3600K
		069 ⇔ 075	3700K
		076 ⇔ 082	3800K
		083 ⇔ 089	3900K
		090 ⇔ 096	4000K
		097 ⇔ 103	4100K
		104 ⇔ 110	4200K
		111 ⇔ 117	4300K
		118 ⇔ 124	4400K
		125 ⇔ 131	4500K
		132 ⇔ 138	4600K
		139 ⇔ 145	4700K
		146 ⇔ 152	4800K
		153 ⇔ 159	4900K
		160 ⇔ 166	5000K
		167 ⇔ 173	5100K
		174 ⇔ 180	5200K
		181 ⇔ 187	5300K
188 ⇔ 194	5400K		
195 ⇔ 201	5500K		
202 ⇔ 208	5600K		
209 ⇔ 215	5700K		
216 ⇔ 222	6000K		
223 ⇔ 229	6500K		
230 ⇔ 236	7000K		
237 ⇔ 243	7500K		
244 ⇔ 255	8000K		
4	Tono	000 ⇔ 001	0
		002 ⇔ 255	-25+25
5	Estroboscopio	000 ⇔ 010	Sin función
		011 ⇔ 255	Estroboscopio, lento a rápido

4Ch

Canal	Función	Valor	Porcentaje/Configuración
1	Rojo	000 ⇔ 255	0-100%
2	Verde	000 ⇔ 255	0-100%
3	Azul	000 ⇔ 255	0-100%
4	Blanco	000 ⇔ 255	0-100%

**3Ch**

Canal	Función	Valor	Porcentaje/Configuración
1	Atenuador	000 ⇔ 255	0–100%
2	Temperatura de color	000 ⇔ 005	Sin función
		006 ⇔ 012	2800K
		013 ⇔ 019	2900K
		020 ⇔ 026	3000K
		027 ⇔ 033	3100K
		034 ⇔ 040	3200K
		041 ⇔ 047	3300K
		048 ⇔ 054	3400K
		055 ⇔ 061	3500K
		062 ⇔ 068	3600K
		069 ⇔ 075	3700K
		076 ⇔ 082	3800K
		083 ⇔ 089	3900K
		090 ⇔ 096	4000K
		097 ⇔ 103	4100K
		104 ⇔ 110	4200K
		111 ⇔ 117	4300K
		118 ⇔ 124	4400K
		125 ⇔ 131	4500K
		132 ⇔ 138	4600K
		139 ⇔ 145	4700K
		146 ⇔ 152	4800K
		153 ⇔ 159	4900K
		160 ⇔ 166	5000K
167 ⇔ 173	5100K		
174 ⇔ 180	5200K		
181 ⇔ 187	5300K		
188 ⇔ 194	5400K		
195 ⇔ 201	5500K		
202 ⇔ 208	5600K		
209 ⇔ 215	5700K		
216 ⇔ 222	6000K		
223 ⇔ 229	6500K		
230 ⇔ 236	7000K		
237 ⇔ 243	7500K		
244 ⇔ 255	8000K		
3	Tono	000 ⇔ 001	0
		002 ⇔ 255	-25–+25

**1Ch**

Canal	Función	Valor	Porcentaje/Configuración
1	Atenuador	000 ⇔ 255	0–100% (configura el color desde la pantalla de menú)

## À Propos de ce Manuel

Le Manuel de Référence du onAir IP Panel Min (MdR) reprend des informations de base sur cet appareil notamment en matière de montage, options de menu et valeurs DMX. Télécharger le Manuel d'Utilisation sur [www.chauvetprofessional.com](http://www.chauvetprofessional.com) pour de plus amples informations.

### Clause de Non-Responsabilité

Les informations et caractéristiques contenues dans ce manuel sont sujettes à changement sans préavis.

### GARANTIE LIMITÉE

**VEUILLEZ VISITER NOTRE SITE INTERNET POUR CONSULTER LES MODALITÉS D'ENREGISTREMENT DE LA GARANTIE ET LES CONDITIONS GÉNÉRALES COMPLÈTES.**

**Pour les clients aux États-Unis et au Mexique:** [www.chauvetlighting.com/warranty-registration](http://www.chauvetlighting.com/warranty-registration).

**Pour les clients du Royaume-Uni, de la République d'Irlande, de la Belgique, des Pays-Bas, du Luxembourg, de la France et de l'Allemagne:** [www.chauvetlighting.eu/warranty-registration](http://www.chauvetlighting.eu/warranty-registration).

Chauvet garantit que cet appareil est exempt de défauts de matériaux et de fabrication dans des conditions normales d'utilisation, pendant la période spécifiée dans la garantie limitée complète consultable sur notre site Internet et sous réserve des exclusions et limitations qui y sont énoncées. Cette garantie ne s'applique qu'à l'acheteur initial du produit et n'est pas transférable. Pour exercer les droits prévus par cette garantie, vous devez fournir une preuve d'achat sous la forme d'un reçu de vente original d'un revendeur autorisé qui indique le nom du produit et la date d'achat. IL N'EXISTE AUCUNE AUTRE GARANTIE EXPRESSE OU IMPLICITE. Cette garantie vous confère des droits légaux spécifiques. Vous pouvez également bénéficier d'autres droits qui varient selon les états et les pays. Cette garantie n'est valable qu'aux États-Unis, au Royaume-Uni, en République d'Irlande, en Belgique, aux Pays-Bas, au Luxembourg, en France, en Allemagne et au Mexique. Pour connaître les conditions de garantie dans d'autres pays, veuillez consulter votre revendeur local.

### Consignes de Sécurité

- Le luminaire doit être placé de manière à ce qu'il ne soit pas possible de le regarder de manière fixe à une distance inférieure à 19,7 in (50 cm).
- Si le câble ou le cordon flexible externe de ce luminaire est endommagé, il doit être remplacé par un câble ou cordon spécial disponible exclusivement auprès du fabricant ou de son prestataire de service.
- La source lumineuse contenue dans ce luminaire ne peut être remplacée que par le fabricant ou son prestataire de service ou une personne suffisamment qualifiée.
- Ce luminaire est uniquement réservé à un usage professionnel.
- N'ouvrez PAS cet appareil. Il ne contient aucun composant susceptible d'être réparé par l'utilisateur.
- Ne regardez PAS la source lumineuse lorsque le produit fonctionne.
- Durant les périodes de non-utilisation, pour éviter toute usure inutile et pour prolonger la durée de vie, déconnectez-entièrement l'appareil en le débranchant de l'alimentation électrique ou en coupant le disjoncteur.
- ATTENTION : le boîtier de cet appareil est brûlant lors du fonctionnement.
- Montez toujours cet appareil dans un endroit bien ventilé, à au moins, 20 pouces (50 cm) des surfaces adjacentes.
- Ne laissez AUCUNE source inflammable dans un rayon de 7,87 po (20 cm) de l'appareil lorsque celui-ci fonctionne.
- Attention : Lorsque l'appareil est transféré d'un environnement à température extrême à un autre (par exemple d'un camion froid vers une salle de bal chaude et humide), de la condensation peut se former sur les composants électriques internes. Pour éviter de causer des dommages, laissez l'appareil s'acclimater entièrement au milieu environnant avant de le mettre sous tension.
- Utilisez TOUJOURS un câble de sécurité lorsque vous montez cet appareil en hauteur.
- N'immergez PAS ce produit (IP65). Un usage temporaire en extérieur est autorisé.
- N'utilisez PAS cet appareil si le boîtier, les lentilles ou les câbles vous semblent endommagés.
- Ne connectez PAS cet appareil ni à un gradateur ni à un rhéostat.
- Connectez UNIQUEMENT cet appareil à un circuit protégé et relié à la terre.
- Transportez ce produit UNIQUEMENT au moyen de la poignée ou lyre de suspension.
- En cas de sérieux problèmes de fonctionnement, arrêtez le système immédiatement.
- La température ambiante maximale supportée par ce produit est de 113 °F (45 °C). Ne le faites pas fonctionner à des températures plus élevées.
- La température de démarrage minimale est de -20°C (-4°F). Ne pas démarrer l'appareil à des températures plus basses.
- La température ambiante minimale est de -30°C (-22°F). Ne pas utiliser l'appareil à des températures plus basses.

### Conformité FCC

Cet appareil est conforme à la partie 15, sous-partie B du règlement de la FCC. L'utilisation est soumise aux deux conditions suivantes :

1. Cet appareil ne doit pas causer d'interférences nuisibles, et
2. Cet appareil doit accepter toutes les interférences reçues, y compris celles pouvant entraîner un fonctionnement indésirable.

Tout changement ou modification non expressément approuvé par l'autorité responsable de la conformité pourrait annuler le droit de l'utilisateur à utiliser l'équipement.

### Avertissement à l'exposition aux fréquences radio pour l'Amérique du Nord et l'Australie

**Attention !** Cet équipement est conforme aux limites de la FCC d'exposition aux radiations définies pour un environnement non contrôlé. Cet équipement doit être installé et utilisé à une distance minimale de 20 cm entre le radiateur et votre corps. Cet émetteur ne doit pas être installé ou fonctionner conjointement avec une autre antenne ou un autre émetteur.

### Contact

En dehors des États-Unis, du Royaume-Uni, de l'Irlande, du Benelux, de la France, de l'Allemagne, ou du Mexique, contactez votre fournisseur si vous avez besoin d'assistance ou pour retourner un appareil. Référez-vous à [Contact Us](#) à la fin de ce MdR pour obtenir des informations pour nous contacter.

## Ce Qui est Inclus

- 4 onAir IP Panel Min
- Cordon d'alimentation Seetronic Powerkon IP65
- Adaptateur mini XLR DMX
- Support à rotule
- Récepteur Baby pin
- Manuel de Référence

## Alimentation CA

Cet appareil est doté d'une alimentation externe universelle prenant en charge toute tension d'entrée comprise entre 100 et 240 VCA, 50/60 Hz et le convertit en une sortie XLR IP65 à 3 broches 28 V CC.

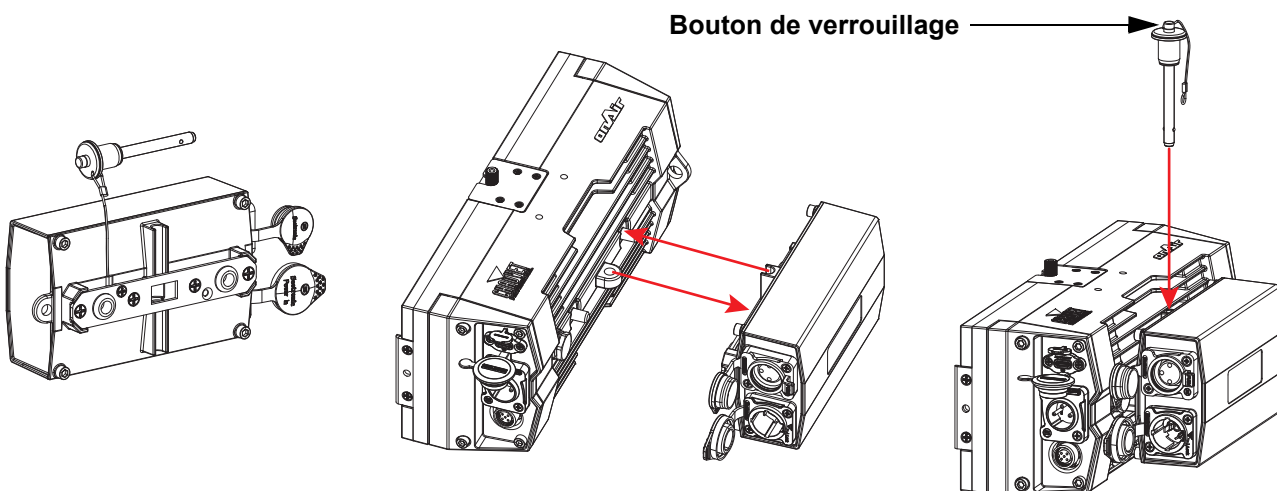
### Prise CA

Connexion	Câble (États-Unis)	Câble (Europe)	Couleur de la vis
Conducteur CA	Noir	Marron	Jaune/Cuivré
Neutre CA	Blanc	Bleu	Argenté
Terre CA	Vert/Jaune	Vert/Jaune	Vert

## Installation du bloc d'alimentation électrique

Le bloc d'alimentation est fixé au onAir IP Panel Min par une goupille de retenue.

1. Alignez le bloc d'alimentation de manière à ce que les boucles à l'extrémité de l'appareil et les boucles sur le bloc d'alimentation s'alignent et s'emboîtent.
2. Appuyez sur le bouton de verrouillage et maintenez-le enfoncé sur la goupille de retenue, puis insérez-le dans l'un des ensembles de boucles sur l'appareil et le bloc d'alimentation.
3. Relâchez le bouton de verrouillage.



## Alimentation CC

Ce produit dispose d'un port d'entrée d'alimentation XLR IP65 à 3 broches pouvant fonctionner avec une tension d'entrée de 28 V CC.



**Durant les périodes de non-utilisation, pour éviter tout usure inutile et pour prolonger la durée de vie, déconnectez-entièrement l'appareil en le débranchant de l'alimentation électrique ou en coupant le disjoncteur.**

## Connexions du signal

Vous pouvez relier le onAir IP Panel Min à un contrôleur ou à un logiciel de contrôle à l'aide d'une connexion DMX filaire ou une connexion sans fil Lumenradio CRMX™. Veuillez consulter le manuel d'utilisation pour plus d'informations sur la connexion et la configuration de l'appareil avec ces signaux.

## Personnalités de contrôle

Le onAir IP Panel Min utilise DMX et CRMX™ pour ses personnalités de contrôle: **1Ch, 3Ch, 4Ch, 5Ch, 6Ch, 8Ch, 10Ch, 11Ch et 15Ch.**

## Connexion DMX

Le onAir IP Panel Min fonctionnera avec une console DMX au moyen d'une connexion DMXDMX à 5 broches ou une connexion CRMX™ sans fil. Une introduction au DMX est à votre disposition sur [www.chauvetprofessional.com](http://www.chauvetprofessional.com).

## RDM (Gestion des périphériques à distance)

Le protocole RDM (gestion des périphériques à distance) est un standard pour la communication bidirectionnelle des appareils dotés de fonctions DMX dans un câblage DMX existant. Le onAir IP Panel Min supporte le protocole RDM permettant un retour d'information pour la surveillance et des changements des options de menu. Veuillez télécharger le manuel de l'utilisateur à partir du site internet [www.chauvetprofessional.com](http://www.chauvetprofessional.com) pour plus de détails.

## Fonctionnement sans fil

Dans des conditions optimales, le onAir IP Panel Min peut fonctionner jusqu'à une distance de 300 m (900 ft) de l'émetteur CRMX™. Le récepteur CRMX™ de le onAir IP Panel Min doit être couplé avec l'émetteur CRMX™ pour un fonctionnement sans fil.

### Configuration initiale

1. Allumez l'émetteur CRMX™.
2. Connectez l'émetteur CRMX™ au contrôleur DMX.
3. Placez le onAir IP Panel Min à moins de 300 m de l'émetteur CRMX™.
4. Allumez le onAir IP Panel Min.

### Configuration

1. A partir du panneau de commande du onAir IP Panel Min allez sur le menu **DMX Address**.
2. Sélectionnez l'adresse de départ comme avec tout autre appareil compatible DMX.
3. Allez sur le menu **Wireless Setting > Receive On/Off**.
4. Sélectionnez **On**. (L'indicateur d'intensité du signal affiche un ? devant les barres.)
5. Appuyez sur le bouton de réinitialisation de l'émetteur W-DMX. (L'indicateur d'intensité du signal du onAir IP Panel Min affiche un sigle 4 devant les barres pendant 3 secondes pendant l'établissement de la connexion.)

### Appairage de l'appareil

Si le onAir IP Panel Min a déjà été appairé avec l'émetteur CRMX™, l'indicateur d'intensité du signal situé au milieu de l'écran affiche la force du signal. Dans ce cas, le onAir IP Panel Min est prêt à fonctionner en mode sans fil.

### Appairage du onAir IP Panel Min avec un nouvel émetteur CRMX™

1. A partir du panneau de commande du onAir IP Panel Min, allez au menu **Wireless Setting > Receive Reset**.
2. Sélectionnez **Yes**.
3. Sur l'émetteur CRMX™, appuyez sur **<RESET>** (l'indicateur de signal de l'émetteur clignote).
4. Lorsque l'émetteur a trouvé le onAir IP Panel Min, l'indicateur de signal de l'émetteur CRMX™ reste allumé.
5. L'écran sur le onAir IP Panel Min affiche alors l'intensité du signal.

 **Le fonctionnement CRMX™ peut être interrompu ou inhibé par des masses de liquides entre l'émetteur et le récepteur, comme par exemple de l'eau, de la neige ou des personnes. Pour de meilleurs résultats, assurez-vous que la zone située entre l'émetteur et le récepteur soit exempte de toute masse liquide.**

### Mise à jour logicielle par USB

Le onAir IP Panel Min supporte une mise à jour logicielle par USB à l'aide du port USB intégré. Pour mettre à jour le logiciel à l'aide d'une clé USB, procédez comme suit:

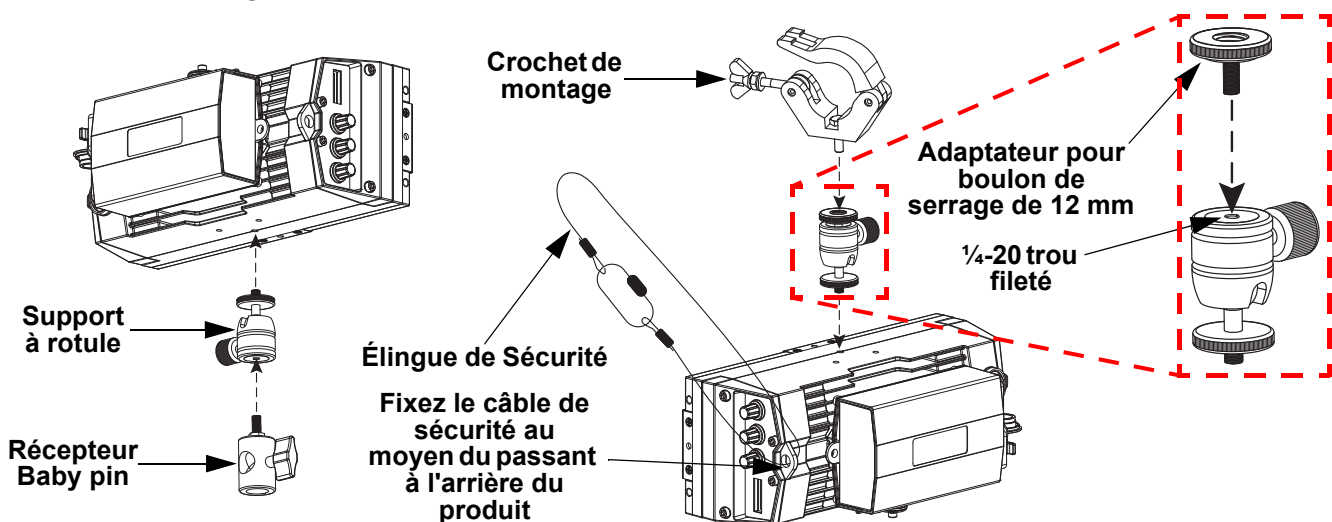
1. Allumez l'appareil et branchez la clé USB dans le port USB.
2. Une fois que la clé USB a été détectée, le message « **Upgrade Firmware** » (mise à jour du micrologiciel) s'affiche. Appuyez sur **<ENTER>**. Si un message différent apparaît à l'écran, recherchez le logiciel mis à jour dans le menu (**Upgrade Firmware**) (Micrologiciel mis à jour). Une liste des fichiers logiciels de mise à jour s'affiche.
3. Sélectionnez le fichier à télécharger. Le message « **Are you sure?** » (êtes-vous sûr ?) s'affiche. Appuyez sur **<ENTER>**.
4. Si le fichier sélectionné est correct, la mise à niveau se termine. Redémarrez l'appareil.
5. Si le fichier sélectionné est incorrect, la mise à niveau échoue et l'affichage revient au menu principal. Répétez les étapes 1 à 3 en utilisant le bon fichier.

 **Les fichiers au format .chl doivent être placés dans le dossier « ONAIR » de la clé USB.**

### Installation

Avant de monter cet appareil, lisez et assimilez les [Consignes de Sécurité](#).

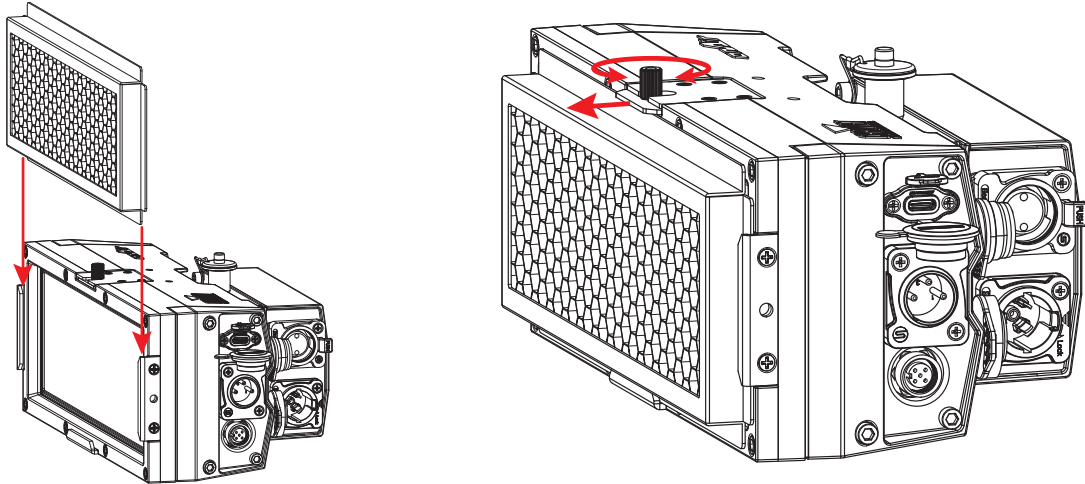
### Schéma de Montage de l'Appareil



## Accessoires

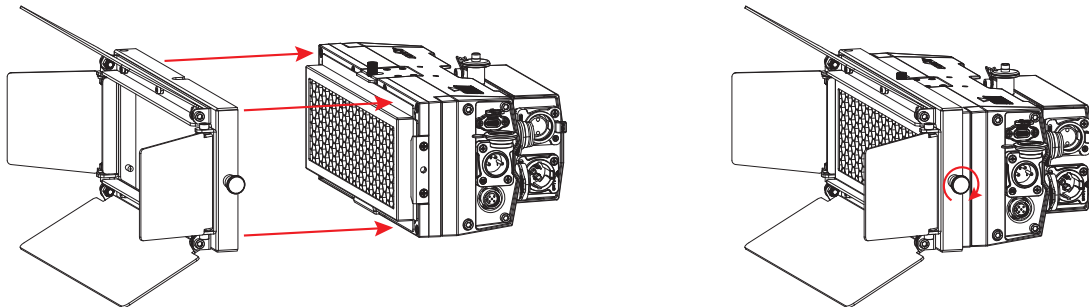
Le onAir IP Panel Min dispose d'un emplacement pour accessoires permettant de loger un filtre ou un nid d'abeille (vendus séparément). Le volet de projecteur en option (vendu séparément) s'adapte parfaitement à l'avant du produit. Pour installer un filtre ou le nid d'abeille :

1. Faites glisser le filtre ou le nid d'abeille dans l'emplacement pour accessoires.
2. Desserrez la vis moletée située sur le dessus de l'appareil et faites glisser le panneau vers l'extérieur pour fixer le filtre ou le nid d'abeille.
3. Serrez la vis moletée.



Pour installer le volet de projecteur :

1. Placez le volet de projecteur autour de l'avant de l'appareil.
2. Serrez le bouton pour fixer le volet de projecteur en place.



## Écran d'accueil

L'écran d'accueil de l'onAir IP Panel Min indique les paramètres actuels et l'état de l'appareil



Nombre	Description
1	Température actuelle de l'appareil
2	État actuel du signal sans fil
3	La ligne du bas affiche les détails du mode de contrôle actuel

## On Board Control

Un double appui sur **<MENU>** permet d'accéder aux modes On Board Control (contrôles embarqués). En mode « On Board Control », les boutons de commande contrôlent la sortie de l'appareil.

### Menu du On Board Control

Menu Principal	Niveaux de Programmation		Description	
On Board Control	CCT Control	DIM	000–100%	Le bouton gauche contrôle le gradateur
		HUE	-0.25–+0.25	Le bouton du milieu contrôle la teinte
		CCT	2800–8000K	Le bouton de droite contrôle la température de la couleur
	HSV Control	INT	000–255	Le bouton gauche contrôle l'intensité
		HUE		Le bouton du milieu contrôle la teinte
		SAT		Le bouton de droite contrôle la saturation
	Effect Macros	Color Chase	Speed <001–100>	Sélectionne macros d'effets et vitesse
		Police Car		
		Firetruck		
		Fire		
		Clouds		
		Fireworks		
		Paparazzi		
Lightning				

## Description du Tableau de Commandes

Bouton	Fonction
<DIM/INT> <MENU>	Tourner pour augmenter ou diminuer la valeur du gradateur en mode CCT ou l'intensité en mode HSV
	Appuyez une fois pour accéder au menu
	Appuyez deux fois pour accéder au « On Board Control »
	Maintenez enfoncé pour accéder à l'écran d'accueil
<HUE> <UP/DOWN>	Appuyez sur cette touche pour quitter le menu ou la fonction en cours ou pour parcourir la carte des menus
	Augmente ou diminue la valeur de la teinte en mode CCT ou HSV
<CCT/SAT> <ENTER>	Permet de naviguer vers le haut ou vers le bas dans la liste des menus ou d'augmenter/diminuer la valeur numérique dans une fonction
	Tourner pour augmenter ou diminuer la température de couleur en mode CCT ou la saturation en mode HSV
	Appuyez sur cette touche pour activer l'entrée de menu actuellement affichée ou pour confirmer la valeur actuellement sélectionnée dans la fonction sélectionnée



**Plan du Menu**

Reportez-vous à la page du produit onAir IP Panel Min sur [www.chauvetprofessional.com](http://www.chauvetprofessional.com) pour la dernière carte des menu.

Menu Principal	Niveaux de Programmation				Description
<b>DMX Address</b>	<b>001–509*</b>				Sélectionne l'adresse de démarrage (*le canal le plus élevé est restreint par personnalité)
<b>DMX Channel</b>	<b>1Ch</b>	<b>Preset CCTs</b>	<b>Hue</b>	<b>&lt;-25–25&gt;</b>	1 canal: Sélectionne une CCT prédéfinies et teinte
		<b>Manual Color Mixer</b>	<b>Red</b>	<b>&lt;000–255&gt;</b>	1 canal: Combine les couleurs rouge, vert, bleu et blanc pour un résultat personnalisé (0–100%)
			<b>Green</b>	<b>&lt;000–255&gt;</b>	
			<b>Blue</b>	<b>&lt;000–255&gt;</b>	
			<b>White</b>	<b>&lt;000–255&gt;</b>	
	<b>3Ch</b>				3 canaux: gradateur, température de couleur, teinte
	<b>4Ch</b>				4 canaux: gradateur 16-bit, température de couleur, teinte, stroboscope
	<b>5Ch</b>				5 canaux: RGBW
	<b>6Ch</b>				6 canaux: gradateur, RGBW, stroboscope
	<b>8Ch</b>				8 canaux: RGBW 16-bit
<b>10Ch</b>				10 canaux: gradateur, RGBW 16-bit, stroboscope	
<b>11Ch</b>				11 canaux: gradateur, RGBW, stroboscope, température de couleur, teinte, macros d'effets et vitesse, contrôle	
<b>15Ch</b>				15 canaux: gradateur 16-bit, RGBW 16-bit, stroboscope, température de couleur, teinte, macros d'effets et vitesse	
<b>CCT Control</b>				Contrôle corrélé de la température de couleur	
<b>HSV Control</b>				Contrôle de la teinte, saturation, et valeur	
<b>Static</b>	<b>Preset CCTs</b>	<b>2800K</b>	<b>Dimmer Hue</b>	<b>&lt;000–255&gt;</b>	Sélectionne température de couleur prédéfinies, gradateur, et teinte
		<b>2900K</b>			
		<b>3000K</b>			
		<b>3100K</b>			
		<b>3200K</b>			
		<b>3300K</b>			
		<b>3400K</b>			
		<b>3500K</b>			
		<b>3600K</b>			
		<b>3700K</b>			
		<b>3800K</b>			
		<b>3900K</b>			
		<b>4000K</b>			
		<b>4100K</b>			
		<b>4200K</b>			
		<b>4300K</b>			
		<b>4400K</b>			
		<b>4500K</b>			
		<b>4600K</b>			
		<b>4700K</b>			
		<b>4800K</b>			
		<b>4900K</b>			
		<b>5000K</b>			
		<b>5100K</b>			
		<b>5200K</b>			
		<b>5300K</b>			
		<b>5400K</b>			
<b>5500K</b>					
<b>5600K</b>					
<b>5700K</b>					
<b>6000K</b>					

Menu Principal	Niveaux de Programmation			Description	
Static (cont.)	Preset CCTs (cont.)	6500K	Dimmer  Hue	<000–255>	Sélectionne température de couleur prédéfinies, gradateur, et teinte
		7000K		<-25–25>	
		7500K			
		8000K			
Manual Color Mixer	Red	<000–255>		Combine les couleurs rouge, vert, bleu et blanc pour un résultat personnalisé (0–100%)	
	Green				
	Blue				
	White				
Effect Macros	Color Chase	<001–100>		Sélectionne macros d'effets et vitesse	
	Police Car				
	Firetruck				
	Fire				
	Clouds				
	Fireworks				
	Paparazzi				
Lightning					
Red Shift	On			Active ou désactive la fonction passe au rouge	
	Off				
Master/Slave	Master			Mode autonome	
	Slave			Mode esclave	
DMX Loss	Hold Last			Conservation du dernier signal reçu	
	Stop DMX			Conservation du sortie	
	Blackout			Extinction de l'unité	
Dimmer Curve	S Curve			Définir la courbe de gradation	
	Linear				
	Square				
	Inverse Square				
Dimmer Mode	Off			Gradateur linéaire	
	Dimmer 1–3			Courbes de gradation rapide (1) à lent (3)	
Color Calibration	User Calibration	Red	<125–255>	Définit la valeur maximale de LED rouge	
		Green		Définit la valeur maximale de LED verte	
		Blue		Définit la valeur maximale de LED bleue	
		White		Définit la valeur maximale de LED blanche	
	Factory Calibration			Utilise l'étalonnage définit en usine	
LED Frequency	600Hz			Permet de sélectionner la fréquence de sortie MLI	
	1200Hz				
	2000Hz				
	4000Hz				
	6000Hz				
	25KHz				
Wireless Setting	Receive On/Off	Off		Active/désactive la fonction CRMX™	
		On			
	Receive Reset	No		Réinitialise le paramétrage sans fil	
		Yes			
Wireless To DMX	No		Active/désactive la fonction sans fil à DMX		
	Yes				
Back Light	10S			Désactive rétro-éclairage après 10 secondes d'inactivité	
	30S			Désactive rétro-éclairage après 30 secondes	
	2Min			Désactive rétro-éclairage après 2 minutes	
	Always On			Affichage rétro-éclairage toujours active	

Menu Principal	Niveaux de Programmation		Description
Information	Fixture Hours	<_ _ _ _ H>	Affiche le nombre total des heures du produit
	LED Hours	<_ _ _ _ H>	Affiche le nombre total des heures du LED
	Version	<V_ _ _ >	Affiche la version actuelle du micrologiciel
	UID	21A40139_ _ _ _	Affiche l'UID du produit
Upgrade Firmware	No Such File! (si aucun fichier n'est disponible)		S'affiche si aucun fichier n'est disponible
	Upgrade All		Mettre à niveau tous les micrologiciels disponibles
	_ _ _ _ _ .CHL		Mettre à jour le micrologiciel sélectionné
	_ _ _ _ _ .CHL		
Factory Reset	...		Permet de réinitialiser aux valeurs par défaut d'usine
	No Yes		

### Valeurs DMX

#### 15Ch

Canal	Fonction	Valeur	Pourcentage/Configuration
1	Gradateur	000 ⇔ 255	0–100%
2	Gradateur fin	000 ⇔ 255	0–100%
3	Rouge	000 ⇔ 255	0–100%
4	Rouge fin	000 ⇔ 255	0–100%
5	Vert	000 ⇔ 255	0–100%
6	Vert fin	000 ⇔ 255	0–100%
7	Bleu	000 ⇔ 255	0–100%
8	Bleu fin	000 ⇔ 255	0–100%
9	Blanc	000 ⇔ 255	0–100%
10	Blanc fin	000 ⇔ 255	0–100%
11	Stroboscope	000 ⇔ 010	Pas de fonction
		011 ⇔ 255	Stroboscope, lent à rapide

Canal	Fonction	Valeur	Pourcentage/Configuration
12	Température de couleur	000 ⇔ 005	Pas de fonction
		006 ⇔ 012	2800K
		013 ⇔ 019	2900K
		020 ⇔ 026	3000K
		027 ⇔ 033	3100K
		034 ⇔ 040	3200K
		041 ⇔ 047	3300K
		048 ⇔ 054	3400K
		055 ⇔ 061	3500K
		062 ⇔ 068	3600K
		069 ⇔ 075	3700K
		076 ⇔ 082	3800K
		083 ⇔ 089	3900K
		090 ⇔ 096	4000K
		097 ⇔ 103	4100K
		104 ⇔ 110	4200K
		111 ⇔ 117	4300K
		118 ⇔ 124	4400K
		125 ⇔ 131	4500K
		132 ⇔ 138	4600K
		139 ⇔ 145	4700K
		146 ⇔ 152	4800K
		153 ⇔ 159	4900K
		160 ⇔ 166	5000K
		167 ⇔ 173	5100K
		174 ⇔ 180	5200K
		181 ⇔ 187	5300K
188 ⇔ 194	5400K		
195 ⇔ 201	5500K		
202 ⇔ 208	5600K		
209 ⇔ 215	5700K		
216 ⇔ 222	6000K		
223 ⇔ 229	6500K		
230 ⇔ 236	7000K		
237 ⇔ 243	7500K		
244 ⇔ 255	8000K		
13	Teinte	000 ⇔ 001	0
		002 ⇔ 255	-25–+25
14	Macros d'effets	000 ⇔ 010	Pas de fonction
		011 ⇔ 039	Chenillard de couleur
		040 ⇔ 068	Voiture de police
		069 ⇔ 096	Voiture de pompier
		097 ⇔ 125	Feu
		126 ⇔ 154	Nuages
		155 ⇔ 182	Feux d'artifice
		183 ⇔ 211	Paparazzi
15	Vitesse macro d'effet	212 ⇔ 240	Éclairs
		241 ⇔ 255	Pas de fonction
15	Vitesse macro d'effet	000 ⇔ 255	Vitesse, lent à rapide

**11Ch**

Canal	Fonction	Valeur	Pourcentage/Configuration
1	Gradateur	000 ⇔ 255	0–100%
2	Rouge	000 ⇔ 255	0–100%
3	Vert	000 ⇔ 255	0–100%
4	Bleu	000 ⇔ 255	0–100%
5	Blanc	000 ⇔ 255	0–100%
6	Stroboscope	000 ⇔ 010	Pas de fonction
		011 ⇔ 255	Stroboscope, lent à rapide
7	Température de couleur	000 ⇔ 005	Pas de fonction
		006 ⇔ 012	2800K
		013 ⇔ 019	2900K
		020 ⇔ 026	3000K
		027 ⇔ 033	3100K
		034 ⇔ 040	3200K
		041 ⇔ 047	3300K
		048 ⇔ 054	3400K
		055 ⇔ 061	3500K
		062 ⇔ 068	3600K
		069 ⇔ 075	3700K
		076 ⇔ 082	3800K
		083 ⇔ 089	3900K
		090 ⇔ 096	4000K
		097 ⇔ 103	4100K
		104 ⇔ 110	4200K
		111 ⇔ 117	4300K
		118 ⇔ 124	4400K
		125 ⇔ 131	4500K
		132 ⇔ 138	4600K
		139 ⇔ 145	4700K
		146 ⇔ 152	4800K
		153 ⇔ 159	4900K
		160 ⇔ 166	5000K
		167 ⇔ 173	5100K
		174 ⇔ 180	5200K
		181 ⇔ 187	5300K
188 ⇔ 194	5400K		
195 ⇔ 201	5500K		
202 ⇔ 208	5600K		
209 ⇔ 215	5700K		
216 ⇔ 222	6000K		
223 ⇔ 229	6500K		
230 ⇔ 236	7000K		
237 ⇔ 243	7500K		
244 ⇔ 255	8000K		
8	Teinte	000 ⇔ 001	0
		002 ⇔ 255	-25–+25
9	Macros d'effets	000 ⇔ 010	Pas de fonction
		011 ⇔ 039	Chenillard de couleur
		040 ⇔ 068	Voiture de police
		069 ⇔ 096	Voiture de pompier
		097 ⇔ 125	Feu
		126 ⇔ 154	Nuages
		155 ⇔ 182	Feux d'artifice
		183 ⇔ 211	Paparazzi
		212 ⇔ 240	Éclairs
241 ⇔ 255	Pas de fonction		

Canal	Fonction	Valeur	Pourcentage/Configuration
10	Vitesse macro d'effet	000 ⇔ 255	Vitesse, lent à rapide
11	Contrôle	000 ⇔ 007	Pas de fonction
		008 ⇔ 015	Réinitialisation du gradateur
		016 ⇔ 023	Passe au rouge active
		024 ⇔ 031	Passe au rouge désactive
		032 ⇔ 039	Courbe de gradateur S-Curve
		040 ⇔ 047	Courbe de gradateur linéaire
		048 ⇔ 055	Courbe de gradation carrée
		056 ⇔ 063	Courbe de gradation carrée inverse
		064 ⇔ 071	Mode gradateur éteint
		072 ⇔ 079	Mode gradateur 1 (rapide)
		080 ⇔ 087	Mode gradateur 2
		088 ⇔ 095	Mode gradateur 3 (lente)
		096 ⇔ 255	Réservé pour une utilisation future

10Ch

Canal	Fonction	Valeur	Pourcentage/Configuration
1	Gradateur	000 ⇔ 255	0–100%
2	Rouge	000 ⇔ 255	0–100%
3	Rouge fin	000 ⇔ 255	0–100%
4	Vert	000 ⇔ 255	0–100%
5	Vert fin	000 ⇔ 255	0–100%
6	Bleu	000 ⇔ 255	0–100%
7	Bleu fin	000 ⇔ 255	0–100%
8	Blanc	000 ⇔ 255	0–100%
9	Blanc fin	000 ⇔ 255	0–100%
10	Stroboscope	000 ⇔ 010	Pas de fonction
		011 ⇔ 255	Stroboscope, lent à rapide

8Ch

Canal	Fonction	Valeur	Pourcentage/Configuration
1	Rouge	000 ⇔ 255	0–100%
2	Rouge fin	000 ⇔ 255	0–100%
3	Vert	000 ⇔ 255	0–100%
4	Vert fin	000 ⇔ 255	0–100%
5	Bleu	000 ⇔ 255	0–100%
6	Bleu fin	000 ⇔ 255	0–100%
7	Blanc	000 ⇔ 255	0–100%
8	Blanc fin	000 ⇔ 255	0–100%

6Ch

Canal	Fonction	Valeur	Pourcentage/Configuration
1	Gradateur	000 ⇔ 255	0–100%
2	Rouge	000 ⇔ 255	0–100%
3	Vert	000 ⇔ 255	0–100%
4	Bleu	000 ⇔ 255	0–100%
5	Blanc	000 ⇔ 255	0–100%
6	Stroboscope	000 ⇔ 010	Pas de fonction
		011 ⇔ 255	Stroboscope, lent à rapide

**5Ch**

Canal	Fonction	Valeur	Pourcentage/Configuration
1	Gradateur	000 ⇄ 255	0–100%
2	Gradateur fin	000 ⇄ 255	0–100%
3	Température de couleur	000 ⇄ 005	Pas de fonction
		006 ⇄ 012	2800K
		013 ⇄ 019	2900K
		020 ⇄ 026	3000K
		027 ⇄ 033	3100K
		034 ⇄ 040	3200K
		041 ⇄ 047	3300K
		048 ⇄ 054	3400K
		055 ⇄ 061	3500K
		062 ⇄ 068	3600K
		069 ⇄ 075	3700K
		076 ⇄ 082	3800K
		083 ⇄ 089	3900K
		090 ⇄ 096	4000K
		097 ⇄ 103	4100K
		104 ⇄ 110	4200K
		111 ⇄ 117	4300K
		118 ⇄ 124	4400K
		125 ⇄ 131	4500K
		132 ⇄ 138	4600K
		139 ⇄ 145	4700K
		146 ⇄ 152	4800K
		153 ⇄ 159	4900K
160 ⇄ 166	5000K		
167 ⇄ 173	5100K		
174 ⇄ 180	5200K		
181 ⇄ 187	5300K		
188 ⇄ 194	5400K		
195 ⇄ 201	5500K		
202 ⇄ 208	5600K		
209 ⇄ 215	5700K		
216 ⇄ 222	6000K		
223 ⇄ 229	6500K		
230 ⇄ 236	7000K		
237 ⇄ 243	7500K		
244 ⇄ 255	8000K		
4	Teinte	000 ⇄ 001	0
		002 ⇄ 255	-25–+25
5	Stroboscope	000 ⇄ 010	Pas de fonction
		011 ⇄ 255	Stroboscope, lent à rapide

**4Ch**

Canal	Fonction	Valeur	Pourcentage/Configuration
1	Rouge	000 ⇄ 255	0–100%
2	Vert	000 ⇄ 255	0–100%
3	Bleu	000 ⇄ 255	0–100%
4	Blanc	000 ⇄ 255	0–100%

FR

3Ch

Canal	Fonction	Valeur	Pourcentage/Configuration
1	Gradateur	000 ⇔ 255	0–100%
		000 ⇔ 005	Pas de fonction
2	Température de couleur	006 ⇔ 012	2800K
		013 ⇔ 019	2900K
		020 ⇔ 026	3000K
		027 ⇔ 033	3100K
		034 ⇔ 040	3200K
		041 ⇔ 047	3300K
		048 ⇔ 054	3400K
		055 ⇔ 061	3500K
		062 ⇔ 068	3600K
		069 ⇔ 075	3700K
		076 ⇔ 082	3800K
		083 ⇔ 089	3900K
		090 ⇔ 096	4000K
		097 ⇔ 103	4100K
		104 ⇔ 110	4200K
		111 ⇔ 117	4300K
		118 ⇔ 124	4400K
		125 ⇔ 131	4500K
		132 ⇔ 138	4600K
		139 ⇔ 145	4700K
		146 ⇔ 152	4800K
		153 ⇔ 159	4900K
		160 ⇔ 166	5000K
		167 ⇔ 173	5100K
174 ⇔ 180	5200K		
181 ⇔ 187	5300K		
188 ⇔ 194	5400K		
195 ⇔ 201	5500K		
202 ⇔ 208	5600K		
209 ⇔ 215	5700K		
216 ⇔ 222	6000K		
223 ⇔ 229	6500K		
230 ⇔ 236	7000K		
237 ⇔ 243	7500K		
244 ⇔ 255	8000K		
3	Teinte	000 ⇔ 001	0
		002 ⇔ 255	-25–+25

1Ch

Canal	Fonction	Valeur	Pourcentage/Configuration
1	Gradateur	000 ⇔ 255	0–100% (couleur définie par le menu)



## Über diese Schnellanleitung

In der Schnellanleitung des onAir IP Panel Min finden Sie die wesentlichen Produktinformationen, wie etwa über die Montage, Menüoptionen und DMX-Werte des Geräts. Laden Sie für weiterführende Informationen unter [www.chauvetprofessional.com](http://www.chauvetprofessional.com) das Benutzerhandbuch herunter.

### Haftungsausschluss

Die in dieser Anleitung aufgeführten Informationen und Spezifikationen können ohne vorherige Ankündigung geändert werden.

### EINGESCHRÄNKTE GARANTIE

**ZUR REGISTRIERUNG FÜR GARANTIEANSPRÜCHE UND ZUR EINSICHT IN DIE VOLLSTÄNDIGEN GESCHÄFTSBEDINGUNGEN BESUCHEN SIE BITTE UNSERE WEBSITE.**

**Für Kunden in den USA und in Mexiko:** [www.chauvetlighting.com/warranty-registration](http://www.chauvetlighting.com/warranty-registration).

**Für Kunden im Vereinigten Königreich, in Irland, Belgien, den Niederlanden, Luxemburg, Frankreich und Deutschland:** [www.chauvetlighting.eu/warranty-registration](http://www.chauvetlighting.eu/warranty-registration).

Chauvet garantiert für die in der auf unserer Website veröffentlichten vollständigen eingeschränkten Garantie genannten Dauer und unter Vorbehalt der darin genannten Haftungsausschlüsse und -beschränkungen, dass dieses Produkt bei normalen Gebrauch frei von Material- und Verarbeitungsfehlern ist. Diese Garantie erstreckt sich nur auf den Erstkäufer des Produkts und ist nicht übertragbar. Zur Ausübung der unter dieser Garantie gewährten Rechte ist der Kaufbeleg in Form der Originalrechnung von einem autorisierten Händler vorzulegen, in der die Produktbezeichnung und das Kaufdatum vermerkt sein müssen. **ES BESTEHEN KEINE WEITEREN AUSDRÜCKLICHEN ODER STILLSCHWEIGENDEN GARANTIEN.** Diese Garantie gibt Ihnen besondere gesetzliche Rechte. Und Sie haben möglicherweise weitere Rechte, die von Land zu Land unterschiedlich sein können. Diese Garantie ist nur in den USA, im Vereinigten Königreich, in Irland, Belgien, den Niederlanden, Luxemburg, Frankreich, Deutschland und Mexiko gültig. Bezüglich der Garantiebestimmungen in anderen Ländern wenden Sie sich bitte an Ihren lokalen Händler.

### Sicherheitshinweise

- Die Leuchte sollte so positioniert werden, dass ein langes starres Schauen in die Leuchte in einem Abstand von weniger als 19,7 Zoll (50 cm) nicht zu erwarten ist.
- Ist das externe flexible Kabel dieser Leuchte beschädigt, muss es durch ein gleichwertiges Kabel oder ein ausschließlich vom Hersteller oder dessen Vertriebspartner erhältliches Kabel ersetzt werden.
- Das in dieser Leuchte enthaltene Leuchtmittel darf nur vom Hersteller oder dessen Vertriebspartner oder einer ähnlich qualifizierten Person ausgetauscht werden.
- Die Leuchte ist ausschließlich für den professionellen Einsatz bestimmt.
- Dieses Gerät NICHT öffnen. Die eingebauten Komponenten sind für den Kunden wartungsfrei.
- NIEMALS in die Lichtquelle schauen, während das Gerät eingeschaltet ist.
- Um Verschleiß zu vermeiden und die Dauer des Geräts zu verlängern, trennen Sie während längerer Perioden des Nichtgebrauchs das Gerät vom Strom – entweder per Schalter oder durch Herausziehen des Steckers aus.
- VORSICHT: Das Gehäuse dieses Produkts kann während des Betriebs heiß werden.
- Installieren Sie das Gerät an einem Ort mit ausreichender Belüftung und mit einem Abstand von mindestens 20 Zoll (50 cm) zu den angrenzenden Flächen.
- Belassen Sie KEINE entflammaren Materialien in einem Umkreis von 7,87 Zoll (20 cm) dieses Geräts, während es in Betrieb oder an der Stromversorgung angeschlossen ist.
- VORSICHT: Beim Transport des Geräts von einer Umgebung mit außergewöhnlichen Temperaturen in eine andere solche Umgebung (z. B. aus einem kalten Transporter in einen warm-feuchten Ballsaal) kann an der im Gerät enthaltenen Elektronik Wasser kondensieren. Um einen Defekt zu vermeiden, muss sich das Gerät erst in der neuen Umgebung akklimatisiert haben, bevor es an die Stromversorgung angeschlossen werden kann.
- VERWENDEN Sie bei Montage über Kopf immer ein Sicherheitsseil.
- Dieses Gerät darf NICHT in Wasser eingetaucht (IP65). Eine vorübergehender Verwendung im Freien ist möglich.
- NIEMALS das Gerät in Betrieb nehmen, wenn Ihnen das Gehäuse, die Linsen oder das Kabel beschädigt erscheinen.
- Schließen Sie dieses Gerät NICHT an einen Dimmer oder Regelwiderstand an.
- Schließen Sie dieses Produkt NUR an einen mit der Erde verbundenen und geschützten Stromkreis an.
- Das Gerät NUR an den Befestigungsbügel oder Griffen tragen.
- Bei ernsthaften Betriebsproblemen stoppen Sie umgehend die Verwendung des Geräts.
- Die maximal zulässige Umgebungstemperatur beträgt 45 °C. Nehmen Sie das Gerät nicht bei höheren Temperaturen in Betrieb.
- Die zulässige Mindesttemperatur für den Start beträgt -20 °C. Starten Sie das Gerät nicht bei niedrigeren Temperaturen.
- Die minimal zulässige Umgebungstemperatur beträgt -30 °C. Nehmen Sie das Gerät nicht bei niedrigeren Temperaturen in Betrieb.

### FCC-Konformität

Dieses Gerät erfüllt Teil 15, Teil B, der FCC-Bestimmungen. Der Betrieb ist an folgende zwei Bedingungen geknüpft:

1. Dieses Gerät darf keine schädlichen Interferenzen verursachen, und
2. Dieses Gerät muss empfangende Interferenzen aufnehmen können, auch Interferenzen, die eventuell einen unerwünschten Betrieb verursachen.

Jegliche Änderungen oder Modifikationen, die nicht ausdrücklich von der Partei genehmigt wurden, die für die Compliance zuständig ist, könnten die Berechtigung des Benutzers zum Betrieb dieses Geräts aufheben.

### Warnung vor Exposition gegenüber HF für Nordamerika und Australien

Warnung! Dieses Gerät entspricht den FCC-Grenzwerten für Strahlenbelastung, die für eine nicht kontrollierte Umgebung festgelegt wurden. Dieses Gerät sollte so installiert und in Betrieb gesetzt werden, dass ein Mindestabstand von 20 cm zwischen dem Gerät und Ihrem Körper gewährleistet ist. Der Sender darf nicht in der Nähe anderer Antennen oder Sender aufgestellt oder in Verbindung mit anderen Antennen oder Sendern betrieben werden.

**Kontakt**

Kunden außerhalb der USA, GB, Irland, Benelux, Frankreich, Deutschland oder Mexiko wenden sich an ihren Lieferanten, um den Kundensupport in Anspruch zu nehmen oder ein Produkt zurückzuschicken. Kontaktinformationen finden Sie im [Contact Us](#) am Ende dieses QRG.

**Packungsinhalt**

- 4 onAir IP Panel Min
- Seetronic Powerkon IP65 Netzkabel
- DMX-Mini-XLR-Adapter
- Kugelkopfbefestigung
- Mini-Stift-Aufnahme
- Schnellanleitung

**Wechselstrom**

Dieses Gerät verfügt über ein externe Vorschaltgerät, das automatisch die anliegende Spannung erkennt, sobald der Netzstecker in die Schukosteckdose gesteckt wird, und kann mit einer Eingangsspannung von 100~240 V AC, 50/60 Hz arbeiten, und wandelt es in einen 3-poligen IP65 XLR-Ausgang mit 28 V DC um.

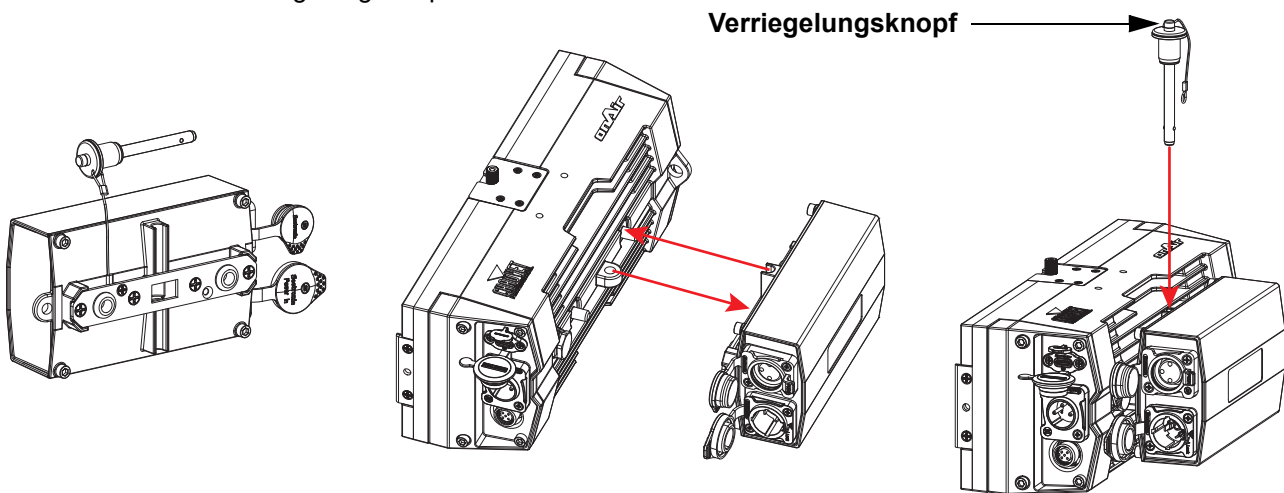
**Wechselstromstecker**

Anschluss	Draht (USA)	Draht (Europa)	Schraubenfarbe
Stromführender AC-Leiter	Schwarz	Braun	Gelb/Messingfarben
AC-Neutralleiter	Weiß	Blau	Silber
AC-Erdungsleiter	Grün/Gelb	Grün/Gelb	Grün

**Installation der Stromversorgung**

Die Stromversorgung wird mit einem Haltestift am onAir IP Panel Min befestigt.

1. Richten Sie die Stromversorgung so aus, dass das Sicherheitskabel auf der Rückseite des Geräts und das Sicherheitskabel an der Stromversorgung aufeinander ausgerichtet sind und zusammenpassen.
2. Drücken Sie den Verriegelungsknopf am Haltestift nach unten, halten Sie diesen gedrückt und stecken Sie ihn durch die Sicherheitskabel-Sets am Gerät und der Stromversorgung.
3. Lassen Sie den Verriegelungsknopf los.



**Gleichstrom**

Dieses Produkt verfügt über einen 3-poligen IP65 XLR-Stromeingang, der mit einer Eingangsspannung von 28 V DC arbeiten kann.



**Um unnötigen Verschleiß zu vermeiden und die Lebensdauer des Geräts zu verlängern, trennen Sie während längerer Perioden des Nichtgebrauchs das Gerät vom Stromnetz – entweder per Trennschalter oder durch Herausziehen des Steckers aus der Steckdose.**

**Signalanschlüsse**

Sie können den onAir IP Panel Min per DMX oder Lumenradio CRMX™ mit einem Controller oder einer Controller-Software verbinden. Informationen zum Anschließen und Konfigurieren des Produkts für diese Signale finden Sie in der Bedienungsanleitung.

**Steuerungsmodi**

Der onAir IP Panel Min nutzt DMX und CRMX™ zur seiner Steuerungsmodi: **1Ch, 3Ch, 4Ch, 5Ch, 6Ch, 8Ch, 10Ch, 11Ch, und 15Ch.**

**DMX-Verbindung**

Der onAir IP Panel Min kann mit einem DMX-Controller betrieben werden, wenn eine 5-polige DMX-Verbindung oder eine drahtlose CRMX™-Verbindung zum Einsatz kommt. Sie können sich eine Einführung in DMX unter [www.chauvetprofessional.com](http://www.chauvetprofessional.com) herunterladen.

**RDM (Remote Device Management)**

Remote Device Management bzw. RDM ist ein Standard, mit dem DMX-aktivierte Geräte bidirektional entlang bestehender DMX-Kabel kommunizieren können. Lesen Sie die Bedienungsanleitung des DMX-Controllers oder wenden Sie sich an den Hersteller, da nicht alle DMX-Controller über diese Funktion verfügt. Der onAir IP Panel Min unterstützt das RDM-Protokoll, das ein Feedback zur Vornahme von Änderungen der Menüoptionen erlaubt. Laden Sie für weiterführende Informationen unter [www.chauvetprofessional.com](http://www.chauvetprofessional.com) das Benutzerhandbuch herunter.

## Drahtloser Betrieb

Unter optimalen Bedingungen kann der onAir IP Panel Min in einer Entfernung von bis zu 300 m vom CRMX™-Sender betrieben werden. Der CRMX™-Empfänger des onAir IP Panel Min muss mit dem CRMX™-Sender für den Drahtlos-Betrieb gekoppelt werden.

### Ersteinrichtung

1. Schalten Sie den CRMX™-Sender ein.
2. Schließen Sie den CRMX™-Sender an einen DMX-Controller an.
3. Platzieren Sie den onAir IP Panel Min in einer Entfernung von maximal 300 m zum CRMX™-Sender.
4. Schalten Sie den onAir IP Panel Min ein.

### Konfiguration

1. Rufen Sie auf dem Bedienfeld des onAir IP Panel Min **DMX Address** auf.
2. Wählen Sie wie bei jedem anderen DMX-kompatiblen Gerät die Startadresse aus.
3. Wählen Sie **Wireless Setting > Receive On/Off**.
4. Wählen Sie **On**. (Die Signalstärkeanzeige zeigt ein ? vor den Balken an.)
5. Drücken Sie auf die Reset-Taste auf dem CRMX™-Sender. (Die Signalstärkeanzeige auf dem onAir IP Panel Min zeigt für 3 Sekunden, während eine Verbindung hergestellt wird, ein 4 in vor den Balken an.)

### Geräte-Pairing

Wurde der onAir IP Panel Min bereits mit dem CRMX™-Sender gekoppelt, zeigt die Signalstärkeanzeige in der Mitte des Bildschirms die Stärke des Signals an. In diesem Fall ist der onAir IP Panel Min bereit für einen Betrieb im Drahtlos-Modus.

### Koppeln des onAir IP Panel Min mit dem neuen CRMX™-Sender

1. Rufen Sie auf dem Bedienfeld des onAir IP Panel Min **Wireless Setting > Receive Reset** auf.
2. Wählen Sie **Yes**.
3. Drücken Sie auf dem CRMX™-Sender auf **<RESET>**. Die Signalanzeige auf dem Sender blinkt.
4. Sobald der Sender den onAir IP Panel Min gefunden hat, leuchtet die Signalanzeige auf dem CRMX™-Sender dauerhaft.
5. Die Bildschirms des onAir IP Panel Min zeigt die Stärke des Signals an.



**Ein CRMX™-Betrieb kann durch Flüssigkeiten o. Ä. zwischen Sender und Empfänger, wie etwa Wasser, Schnee oder Menschen, unterbrochen oder behindert werden. Für beste Ergebnisse sollte daher der Bereich zwischen Sender und Empfänger von Flüssigkeiten o. Ä. freigehalten werden.**

### Software via USB

Das Gerät onAir IP Panel Min ermöglicht ein Softwareupdate über USB unter Verwendung des integrierten USB-Anschlusses. Zur Aktualisierung der Software mit einem USB-Stick gehen Sie wie folgt vor:

1. Schalten Sie das Gerät an und stecken Sie den Stick in den USB-Anschluss.
2. Sobald der Stick erkannt worden ist, erscheint die Meldung **"Upgrade Firmware"** (Firmware aktualisieren). Betätigen Sie **<ENTER>**. Wird eine andere Meldung angezeigt, suchen Sie im Menü (**Upgrade Firmware**)
3. (Firmware aktualisieren) nach der aktualisierten Software. Es wird eine Liste der aktualisierten Software angezeigt.
4. Wählen Sie die hochzuladende Datei aus. Es wird die Meldung **"Are you sure"** (Sind Sie sicher?) angezeigt. Betätigen Sie **<ENTER>**.
5. Ist die ausgewählte Datei korrekt, wird das Upgrade abgeschlossen. Starten Sie das Gerät neu.
6. Ist die ausgewählte Datei falsch, wird das Upgrade nicht ausgeführt und es wird wieder das Hauptmenü angezeigt. Wiederholen Sie die Schritte 1 bis 3 mit der korrekten Datei.

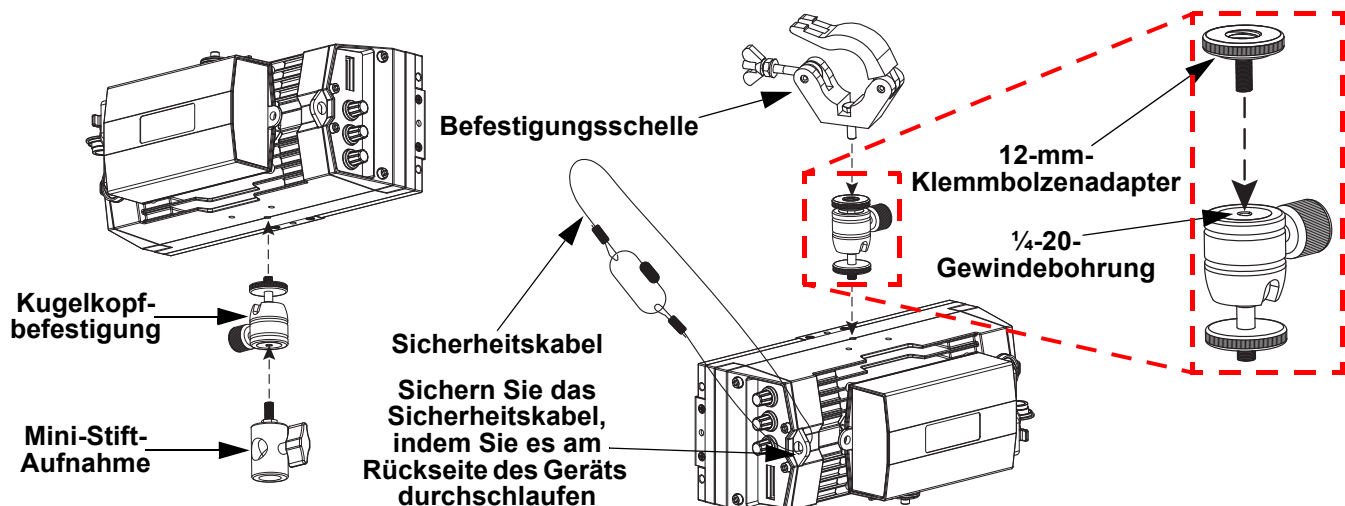


**Das Datenformat .chl muss im Ordner „ONAIR“ auf dem USB-Stick abgelegt werden.**

## Montage

Lesen Sie vor der Montage dieses Geräts die [Sicherheitshinweise](#) durch.

### Montageansicht

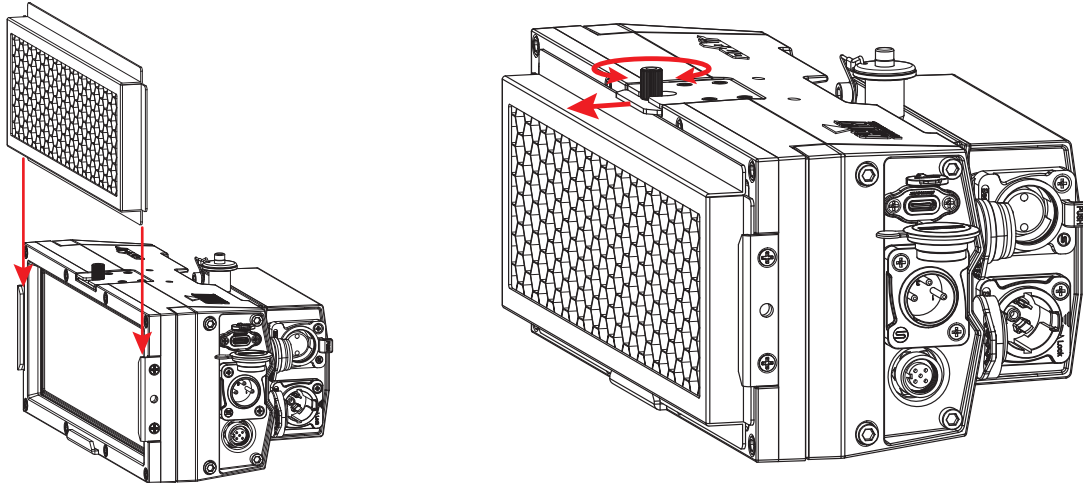


### Zubehör

Der onAir IP Panel Min verfügt über einen Zubehör-Steckplatz für einen Filter oder ein Wabengitter (separat erhältlich). Die optionale große Klappe (separat erhältlich) passt genau über die Vorderseite des Geräts.

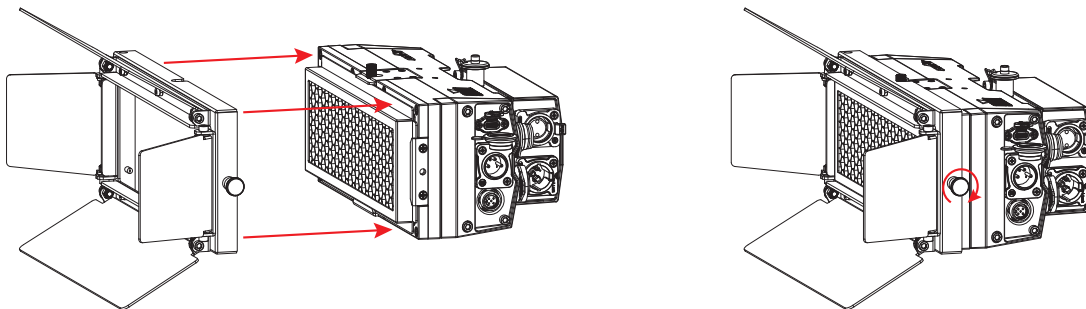
So bauen Sie einen Filter oder ein Wabengitter ein:

1. Schieben Sie den Filter oder das Wabengitter in den Zubehör-Steckplatz hinein.
2. Lösen Sie die Flügelschraube oben auf dem Gerät und schieben Sie das Panel heraus, um den Filter oder das Wabengitter zu sichern.
3. Ziehen Sie die Flügelschraube an.



So bauen Sie die große Klappe ein:

1. Positionieren Sie die große Klappe an der Vorderseite des Geräts.
2. Ziehen Sie zum Fixieren der großen Klappe den Drehknopf fest.



## Startbildschirm

Auf dem Startbildschirm des onAir IP Panel Min werden die aktuellen Einstellungen und der Status des Geräts angezeigt.



Nummer	Beschreibung
1	Aktuelle Gerätetemperatur
2	Aktueller Status des Drahtlos-Signals
3	Die untere Linie zeigt Details des aktuellen Steuerungsmodus an

## On Board Control

Durch zweimaliges Betätigen von **<MENU>** kann auf die On Board Control (geräteseitigen Steuerungs)-Modi zugegriffen werden. In einem On Board Control-Modus steuern die Steuerungsdrehknöpfe die Ausgabeleistung des Geräts.

### On Board Control-Menü

Hauptebene	Programmirebenen		Beschreibung	
On Board Control	CCT Control	DIM	000–100%	Linker Drehknopf steuert den Dimmer
		HUE	-0.25–+0.25	Mittlerer Drehknopf steuert den Farbtonwert
		CCT	2800–8000K	Rechter Drehknopf steuert die Farbtemperatur
	HSV Control	INT	000–255	Linker Drehknopf steuert die Intensität
		HUE		Mittlerer Drehknopf steuert den Farbtonwert
		SAT		Rechter Drehknopf steuert die Sättigung
	Effect Macros	Color Chase	Speed <001–100>	Wählt eine Effektmakro und Geschwindigkeit
		Police Car		
		Firetruck		
		Fire		
Clouds				
Fireworks				
Paparazzi				
Lightning				

## Beschreibung des Bedienfeldes

Knopf	Funktion
<DIM/INT> <MENU>	Zum Verringern oder Erhöhen des Dimmungswerts im CCT- oder der Intensität im HSV-Modus drehen
	Einmal drücken, um auf das Menü zuzugreifen
	Zweimal drücken, um auf die On Board Control zuzugreifen
	Darauf drücken und gedrückt halten, um auf den Startbildschirm zuzugreifen
<HUE> <UP/DOWN>	Drücken, um das aktuelle Menü oder die Funktion zu verlassen oder durch das Menü zu scrollen
	Erhöht oder verringert den Farbtonwert im CCT-Modus oder HSV-Modus
<CCT/SAT> <ENTER>	Damit navigieren Sie sich durch die Menüpunkte nach oben/unten oder erhöhen den numerischen Wert der entsprechenden Funktion
	Zum Verringern oder Erhöhen der Farbtemperatur im CCT- oder der Sättigung im HSV-Modus drehen
	Drücken, um das aktuell angezeigte Menü zu aktivieren oder den aktuell ausgewählten Wert in der ausgewählten Funktion einzustellen

**Menüstruktur**

Die neueste Menükarte finden Sie auf der onAir IP Panel Min-produktseite unter [www.chauvetprofessional.com](http://www.chauvetprofessional.com).

Hauptebene	Programmirebenen				Beschreibung	
<b>DMX Address</b>	<b>001–509*</b>				Wählt die DMX-Adresse aus (der höchste Kanal ist auf die gewählte Eigenschaft beschränkt)	
<b>DMX Channel</b>	<b>1Ch</b>	<b>Preset CCTs</b>	<b>Hue</b>	<b>&lt;-25–25&gt;</b>	1-Kanal: wählt eine voreingestellte CCT und einen Farbton	
		<b>Manual Color Mixer</b>	<b>Red</b>		<b>&lt;000–255&gt;</b>	1-Kanal: Kombiniert rote, grüne, blaue und weiße Farben zu einer benutzerdefinierten Farbe (0–100%)
			<b>Green</b>		<b>&lt;000–255&gt;</b>	
			<b>Blue</b>		<b>&lt;000–255&gt;</b>	
	<b>White</b>			<b>&lt;000–255&gt;</b>		
		<b>3Ch</b>			3-Kanal: Dimmer, Farbtemperatur, Farbton	
		<b>4Ch</b>			4-Kanal: 16-Bit-Dimmer, Farbtemperatur, Farbton, Stroboskop	
		<b>5Ch</b>			5-Kanal: RGBW	
		<b>6Ch</b>			6-Kanal: Dimmer, RGBW, Stroboskop	
		<b>8Ch</b>			8-Kanal: 16-Bit-RGBW	
		<b>10Ch</b>			10-Kanal: Dimmer, 16-Bit-RGBW, Stroboskop	
		<b>11Ch</b>			11-Kanal: Dimmer, RGBW, Stroboskop, Farbtemperatur, Farbton, Effektmakros und Geschwindigkeit, Steuerung	
		<b>15Ch</b>			15-Kanal: 16-Bit-Dimmer, 16-Bit-RGBW, Stroboskop, Farbtemperatur, Farbton, Effektmakros und Geschwindigkeit	
<b>Static</b>	<b>CCT Control</b>				Korrelierte Farbtemperaturregelung	
	<b>HSV Control</b>				Farbton, Sättigung, und Wert Steuerung	
	<b>Preset CCTs</b>	<b>2800K</b>	<b>Dimmer Hue</b>	<b>&lt;000–255&gt; &lt;-25–25&gt;</b>	Wählt eine voreingestellte Farbtemperatur, Dimmer, und Farbton	
		<b>2900K</b>				
		<b>3000K</b>				
		<b>3100K</b>				
		<b>3200K</b>				
		<b>3300K</b>				
		<b>3400K</b>				
		<b>3500K</b>				
		<b>3600K</b>				
		<b>3700K</b>				
		<b>3800K</b>				
		<b>3900K</b>				
		<b>4000K</b>				
		<b>4100K</b>				
		<b>4200K</b>				
		<b>4300K</b>				
		<b>4400K</b>				
		<b>4500K</b>				
		<b>4600K</b>				
		<b>4700K</b>				
		<b>4800K</b>				
		<b>4900K</b>				
		<b>5000K</b>				
		<b>5100K</b>				
		<b>5200K</b>				
		<b>5300K</b>				
<b>5400K</b>						
<b>5500K</b>						
<b>5600K</b>						
<b>5700K</b>						
<b>6000K</b>						
<b>6500K</b>						

Hauptebene	Programmirebenen			Beschreibung	
Static (cont.)	Preset CCTs (cont.)	7000K	Dimmer	<000–255>	Wählt eine voreingestellte Farbtemperatur, Dimmer, und Farbton
		7500K		Hue	
		8000K	<000–255>		
	Manual Color Mixer	Red			
Green					
Blue					
White					
Effect Macros	Color Chase	<001–100>		Wählt eine Effektmakro und Geschwindigkeit	
	Police Car				
	Firetruck				
	Fire				
	Clouds				
	Fireworks				
	Paparazzi				
Lightning					
Red Shift	On			Schaltet die rote Umschaltung ein oder aus	
	Off				
Master/Slave	Master			Eigenständige-Modus	
	Slave			Sklave-Modus	
DMX Loss	Hold Last			Hält das zuletzt erhaltene Signal	
	Stop DMX			Hält die Ausgabe	
	Blackout			Verdunkelt Gerät	
Dimmer Curve	S Curve			Stellt die Dimmungskurve ein	
	Linear				
	Square				
	Inverse Square				
Dimmer Mode	Off			Linearer Dimmer	
	Dimmer 1–3			Dimmungskurven schnell (1) nach langsam (3)	
Color Calibration	Off			Farbkalibrierung ist deaktivieren	
	User Calibration	Red	<125–255>	Stellt den maximalen Wert der roten LED ein	
		Green		Stellt den maximalen Wert der grünen LED ein	
		Blue		Stellt den maximalen Wert der blauen LED ein	
		White		Stellt den maximalen Wert der weißen LED ein	
Factory Calibration			Farbkalibrierung wird werkseitig eingestellt		
LED Frequency	600Hz			Stellt die PWM-Frequenz ein	
	1200Hz				
	2000Hz				
	4000Hz				
	6000Hz				
	25KHz				
Wireless Setting	Receive On/Off	Off		Aktiviert/deaktiviert CRMX™	
		On			
	Receive Reset	No		Stellen Sie den Drahtlos-Empfänger zurück	
		Yes			
Wireless To DMX	No		Aktiviert/deaktiviert drahtlose zu DMX		
	Yes				
Back Light	10S			Wird die Hintergrundbeleuchtung der Anzeige nach 10 Sekunden Inaktivität ausgeschaltet	
	30S			Wird die Hintergrundbeleuchtung der Anzeige nach 30 Sekunden ausgeschaltet	
	2Min			Wird die Hintergrundbeleuchtung der Anzeige nach 2 Minuten ausgeschaltet	
	Always On			Hintergrundbeleuchtung immer an	

Hauptebene	Programmirebenen		Beschreibung
Information	Fixture Hours	<_ _ _ _ _H>	Zeigt an, wie lange das Gerät eingeschaltet gewesen ist
	LED Hours	<_ _ _ _ _H>	Zeigt an, wie lange der LEDs eingeschaltet gewesen ist
	Version	<V_ _ _ _>	Zeigt die aktuelle Firmware-version an
	UID	21A40139_ _ _ _	Zeigt die Geräte-UID an
Upgrade Firmware	No Such File! (wenn keine Datei verfügbar ist)		Wird angezeigt, wenn keine Datei verfügbar ist
	Upgrade All		Gesamte verfügbare Firmware aktualisieren
	_ _ _ _ _ _ _ _ .CHL		Ausgewählte Firmware aktualisieren
	_ _ _ _ _ _ _ _ .CHL		
Factory Reset	...		Damit stellen Sie das Gerät auf die Werkseinstellungen zurück
	No		
	Yes		

**DMX-Werte  
15Ch**

Kanal	Funktion	Wert	Prozent/Einstellung
1	Dimmer	000 ⇔ 255	0–100%
2	Feine dimmer	000 ⇔ 255	0–100%
3	Rot	000 ⇔ 255	0–100%
4	Feine rot	000 ⇔ 255	0–100%
5	Grün	000 ⇔ 255	0–100%
6	Feine grün	000 ⇔ 255	0–100%
7	Blau	000 ⇔ 255	0–100%
8	Feine blau	000 ⇔ 255	0–100%
9	Weiß	000 ⇔ 255	0–100%
10	Feine weiß	000 ⇔ 255	0–100%
11	Stroboskop	000 ⇔ 010	Keine Funktion
		011 ⇔ 255	Stroboskop, langsam bis schnell



Kanal	Funktion	Wert	Prozent/Einstellung
12	Farbtemperatur	000 ⇄ 005	Keine Funktion
		006 ⇄ 012	2800K
		013 ⇄ 019	2900K
		020 ⇄ 026	3000K
		027 ⇄ 033	3100K
		034 ⇄ 040	3200K
		041 ⇄ 047	3300K
		048 ⇄ 054	3400K
		055 ⇄ 061	3500K
		062 ⇄ 068	3600K
		069 ⇄ 075	3700K
		076 ⇄ 082	3800K
		083 ⇄ 089	3900K
		090 ⇄ 096	4000K
		097 ⇄ 103	4100K
		104 ⇄ 110	4200K
		111 ⇄ 117	4300K
		118 ⇄ 124	4400K
		125 ⇄ 131	4500K
		132 ⇄ 138	4600K
		139 ⇄ 145	4700K
		146 ⇄ 152	4800K
		153 ⇄ 159	4900K
		160 ⇄ 166	5000K
		167 ⇄ 173	5100K
		174 ⇄ 180	5200K
		181 ⇄ 187	5300K
188 ⇄ 194	5400K		
195 ⇄ 201	5500K		
202 ⇄ 208	5600K		
209 ⇄ 215	5700K		
216 ⇄ 222	6000K		
223 ⇄ 229	6500K		
230 ⇄ 236	7000K		
237 ⇄ 243	7500K		
244 ⇄ 255	8000K		
13	Farbton	000 ⇄ 001	0
		002 ⇄ 255	-25--+25
14	Effektmakro	000 ⇄ 010	Keine Funktion
		011 ⇄ 039	Farb-Chase
		040 ⇄ 068	Polizeifahrzeug
		069 ⇄ 096	Feuerwehr
		097 ⇄ 125	Feuer
		126 ⇄ 154	Wolken
		155 ⇄ 182	Feuerwerk
		183 ⇄ 211	Paparazzi
15	Makrogeschwindigkeit	212 ⇄ 240	Blitzlicht
		241 ⇄ 255	Keine Funktion
		000 ⇄ 255	Geschwindigkeit, langsam bis schnell

DE

11Ch

Kanal	Funktion	Wert	Prozent/Einstellung
1	Dimmer	000 ⇔ 255	0–100%
2	Rot	000 ⇔ 255	0–100%
3	Grün	000 ⇔ 255	0–100%
4	Blau	000 ⇔ 255	0–100%
5	Weiß	000 ⇔ 255	0–100%
6	Stroboskop	000 ⇔ 010 011 ⇔ 255	Keine Funktion Stroboskop, langsam bis schnell
7	Farbtemperatur	000 ⇔ 005 006 ⇔ 012 013 ⇔ 019 020 ⇔ 026 027 ⇔ 033 034 ⇔ 040 041 ⇔ 047 048 ⇔ 054 055 ⇔ 061 062 ⇔ 068 069 ⇔ 075 076 ⇔ 082 083 ⇔ 089 090 ⇔ 096 097 ⇔ 103 104 ⇔ 110 111 ⇔ 117 118 ⇔ 124 125 ⇔ 131 132 ⇔ 138 139 ⇔ 145 146 ⇔ 152 153 ⇔ 159 160 ⇔ 166 167 ⇔ 173 174 ⇔ 180 181 ⇔ 187 188 ⇔ 194 195 ⇔ 201 202 ⇔ 208 209 ⇔ 215 216 ⇔ 222 223 ⇔ 229 230 ⇔ 236 237 ⇔ 243 244 ⇔ 255	Keine Funktion 2800K 2900K 3000K 3100K 3200K 3300K 3400K 3500K 3600K 3700K 3800K 3900K 4000K 4100K 4200K 4300K 4400K 4500K 4600K 4700K 4800K 4900K 5000K 5100K 5200K 5300K 5400K 5500K 5600K 5700K 6000K 6500K 7000K 7500K 8000K
8	Farbton	000 ⇔ 001 002 ⇔ 255	0 -25–+25
9	Effektmakro	000 ⇔ 010 011 ⇔ 039 040 ⇔ 068 069 ⇔ 096 097 ⇔ 125 126 ⇔ 154 155 ⇔ 182 183 ⇔ 211 212 ⇔ 240 241 ⇔ 255	Keine Funktion Farb-Chase Polizeifahrzeug Feuerwehr Feuer Wolken Feuerwerk Paparazzi Blitzlicht Keine Funktion

Kanal	Funktion	Wert	Prozent/Einstellung
10	<b>Makrogeschwindigkeit</b>	000 ⇔ 255	Geschwindigkeit, langsam bis schnell
11	<b>Steuerung</b>	000 ⇔ 007	Keine Funktion
		008 ⇔ 015	Dimmer-zurücksetzen
		016 ⇔ 023	Rote Umschaltung ein
		024 ⇔ 031	Rote Umschaltung aus
		032 ⇔ 039	S-Kurve Dimmerkurve
		040 ⇔ 047	Lineare Dimmerkurve
		048 ⇔ 055	Quadratische Dimmerkurve
		056 ⇔ 063	Inverse quadratische Dimmerkurve
		064 ⇔ 071	Dimmer-Geschwindigkeits-Modus aus
		072 ⇔ 079	Dimmer-Geschwindigkeits-Modus 1 (schnellste)
		080 ⇔ 087	Dimmer-Geschwindigkeits-Modus 2
		088 ⇔ 095	Dimmer-Geschwindigkeits-Modus 3 (langsamste)
		096 ⇔ 255	Reserviert für zukünftige Verwendung

## 10Ch

Kanal	Funktion	Wert	Prozent/Einstellung
1	<b>Dimmer</b>	000 ⇔ 255	0–100%
2	<b>Rot</b>	000 ⇔ 255	0–100%
3	<b>Feine rot</b>	000 ⇔ 255	0–100%
4	<b>Grün</b>	000 ⇔ 255	0–100%
5	<b>Feine grün</b>	000 ⇔ 255	0–100%
6	<b>Blau</b>	000 ⇔ 255	0–100%
7	<b>Feine blau</b>	000 ⇔ 255	0–100%
8	<b>Weiß</b>	000 ⇔ 255	0–100%
9	<b>Feine weiß</b>	000 ⇔ 255	0–100%
10	<b>Stroboskop</b>	000 ⇔ 010	Keine Funktion
		011 ⇔ 255	Stroboskop, langsam bis schnell

## 8Ch2

Kanal	Funktion	Wert	Prozent/Einstellung
1	<b>Rot</b>	000 ⇔ 255	0–100%
2	<b>Feine rot</b>	000 ⇔ 255	0–100%
3	<b>Grün</b>	000 ⇔ 255	0–100%
4	<b>Feine grün</b>	000 ⇔ 255	0–100%
5	<b>Blau</b>	000 ⇔ 255	0–100%
6	<b>Feine blau</b>	000 ⇔ 255	0–100%
7	<b>Weiß</b>	000 ⇔ 255	0–100%
8	<b>Feine weiß</b>	000 ⇔ 255	0–100%

## 6Ch

Kanal	Funktion	Wert	Prozent/Einstellung
1	<b>Dimmer</b>	000 ⇔ 255	0–100%
2	<b>Rot</b>	000 ⇔ 255	0–100%
3	<b>Grün</b>	000 ⇔ 255	0–100%
4	<b>Blau</b>	000 ⇔ 255	0–100%
5	<b>Weiß</b>	000 ⇔ 255	0–100%
6	<b>Stroboskop</b>	000 ⇔ 010	Keine Funktion
		011 ⇔ 255	Stroboskop, langsam bis schnell

DE

5Ch

Kanal	Funktion	Wert	Prozent/Einstellung
1	Dimmer	000 ⇔ 255	0–100%
2	Feine dimmer	000 ⇔ 255	0–100%
3	Farbtemperatur	000 ⇔ 005	Keine Funktion
		006 ⇔ 012	2800K
		013 ⇔ 019	2900K
		020 ⇔ 026	3000K
		027 ⇔ 033	3100K
		034 ⇔ 040	3200K
		041 ⇔ 047	3300K
		048 ⇔ 054	3400K
		055 ⇔ 061	3500K
		062 ⇔ 068	3600K
		069 ⇔ 075	3700K
		076 ⇔ 082	3800K
		083 ⇔ 089	3900K
		090 ⇔ 096	4000K
		097 ⇔ 103	4100K
		104 ⇔ 110	4200K
		111 ⇔ 117	4300K
		118 ⇔ 124	4400K
		125 ⇔ 131	4500K
		132 ⇔ 138	4600K
		139 ⇔ 145	4700K
		146 ⇔ 152	4800K
		153 ⇔ 159	4900K
		160 ⇔ 166	5000K
167 ⇔ 173	5100K		
174 ⇔ 180	5200K		
181 ⇔ 187	5300K		
188 ⇔ 194	5400K		
195 ⇔ 201	5500K		
202 ⇔ 208	5600K		
209 ⇔ 215	5700K		
216 ⇔ 222	6000K		
223 ⇔ 229	6500K		
230 ⇔ 236	7000K		
237 ⇔ 243	7500K		
244 ⇔ 255	8000K		
4	Farbton	000 ⇔ 001	0
		002 ⇔ 255	-25–+25
5	Stroboskop	000 ⇔ 010	Keine Funktion
		011 ⇔ 255	Stroboskop, langsam bis schnell

4Ch

Kanal	Funktion	Wert	Prozent/Einstellung
1	Rot	000 ⇔ 255	0–100%
2	Grün	000 ⇔ 255	0–100%
3	Blau	000 ⇔ 255	0–100%
4	Weiß	000 ⇔ 255	0–100%

## 3Ch

Kanal	Funktion	Wert	Prozent/Einstellung
1	Dimmer	000 ⇔ 255	0–100%
2	Farbtemperatur	000 ⇔ 005	Keine Funktion
		006 ⇔ 012	2800K
		013 ⇔ 019	2900K
		020 ⇔ 026	3000K
		027 ⇔ 033	3100K
		034 ⇔ 040	3200K
		041 ⇔ 047	3300K
		048 ⇔ 054	3400K
		055 ⇔ 061	3500K
		062 ⇔ 068	3600K
		069 ⇔ 075	3700K
		076 ⇔ 082	3800K
		083 ⇔ 089	3900K
		090 ⇔ 096	4000K
		097 ⇔ 103	4100K
		104 ⇔ 110	4200K
		111 ⇔ 117	4300K
		118 ⇔ 124	4400K
		125 ⇔ 131	4500K
		132 ⇔ 138	4600K
		139 ⇔ 145	4700K
		146 ⇔ 152	4800K
		153 ⇔ 159	4900K
		160 ⇔ 166	5000K
167 ⇔ 173	5100K		
174 ⇔ 180	5200K		
181 ⇔ 187	5300K		
188 ⇔ 194	5400K		
195 ⇔ 201	5500K		
202 ⇔ 208	5600K		
209 ⇔ 215	5700K		
216 ⇔ 222	6000K		
223 ⇔ 229	6500K		
230 ⇔ 236	7000K		
237 ⇔ 243	7500K		
244 ⇔ 255	8000K		
3	Farbton	000 ⇔ 001 002 ⇔ 255	0 -25–+25

## 1Ch

Kanal	Funktion	Wert	Prozent/Einstellung
1	Dimmer	000 ⇔ 255	0–100% (Farbeinstellung über Menü)

## Over deze handleiding

De onAir IP Panel Min Beknopte Handleiding (BH) bevat basisinformatie over het product, zoals montage, menu-opties en DMX-waarden. Download de gebruikershandleiding op [www.chauvetprofessional.com](http://www.chauvetprofessional.com) voor meer informatie.

### Disclaimer

De informatie en specificaties in deze BH kunnen zonder voorafgaande kennisgeving worden gewijzigd.

### BEPERKTE GARANTIE

#### GA NAAR ONZE WEBSITE VOOR REGISTRATIE VAN DE GARANTIE EN DE VOLLEDIGE ALGEMENE VOORWAARDEN.

Voor klanten in de Verenigde Staten en Mexico: [www.chauvetlighting.com/warranty-registration](http://www.chauvetlighting.com/warranty-registration).

Voor klanten in het Verenigd Koninkrijk, Ierland, België, Nederland, Luxemburg, Frankrijk en Duitsland: [www.chauvetlighting.eu/warranty-registration](http://www.chauvetlighting.eu/warranty-registration).

Chauvet garandeert dat dit product bij normaal gebruik vrij zal blijven van defecten in materiaal en vakmanschap, voor de opgegeven periode en onder voorbehoud van de uitzonderingen en beperkingen die zijn uiteengezet in de volledige beperkte garantie op onze website. Deze garantie geldt uitsluitend voor de oorspronkelijke koper van het product en is niet overdraagbaar. Om onder deze garantie rechten uit te oefenen, moet u een aankoopbewijs overleggen in de vorm van een origineel verkoopbewijs van een geautoriseerde dealer, waarop de naam van het product en de aankoopdatum zichtbaar zijn. ER ZIJN GEEN ANDERE EXPLICIETE OF IMPLICIETE GARANTIES. Deze garantie geeft u specifieke wettelijke rechten. Mogelijk heeft u ook andere rechten die van staat tot staat en van land tot land verschillen. Deze garantie is uitsluitend geldig in de Verenigde Staten, het Verenigd Koninkrijk, Ierland, België, Nederland, Luxemburg, Frankrijk, Duitsland en Mexico. Neem contact op met uw lokale verkoper voor garantievoorwaarden in andere landen.

### Veiligheidsinstructies

- De armatuur moet zodanig geplaatst worden dat langdurig staren in de armatuur op een afstand van minder dan 19,7 in (50 cm) voorkomen wordt.
- Als de externe flexibele kabel of het snoer van deze armatuur beschadigd is, moet deze worden vervangen door een speciaal snoer of een snoer dat uitsluitend beschikbaar is bij de fabrikant of zijn onderhoudsagent.
- De lichtbron die in deze armatuur omvat is mag alleen vervangen worden door de fabrikant, of diens onderhoudsagent of een soortgelijk erkend persoon.
- De armatuur is uitsluitend bedoeld voor professioneel gebruik.
- Open het product NIET. Het bevat geen te onderhouden onderdelen.
- KIJK NIET in de lichtbron wanneer het apparaat is ingeschakeld.
- Om onnodige slijtage te elimineren en zijn levensduur te verlengen, gedurende perioden wanneer het product niet wordt gebruikt, moet u het product van de stroom afsluiten door een aardlekschakelaar om te zetten of door het te ontkoppelen.
- LET OP: De behuizing van dit product kan heet zijn wanneer het in bedrijf is.
- Monteer dit product op een plek met voldoende ventilatie, ten minste 50 cm van de aangrenzende oppervlakken.
- Plaats geen ontvlambaar materiaal binnen 7,87 in (20 cm) van dit product als het in gebruik is of is aangesloten op het stopcontact.
- LET OP: Bij het verplaatsen van het product uit extreme omgevingen, (bijv. koude vrachtwagen naar warme, vochtige balzaal) kan er condensvorming optreden op de elektronica van het product. Om storingen te vermijden moet het product volledig kunnen acclimatiseren aan de omgeving voordat het op stroom wordt aangesloten.
- GEBRUIK een veiligheidskabel bij het boven het hoofd plaatsen van dit product.
- Dit product NIET onderdompelen (IP65). Tijdelijke gebruik buitenshuis is prima.
- Gebruik dit product NIET als de behuizing, lenzen of kabels beschadigd lijken.
- Sluit dit product NIET aan op een dimmer of een regelweerstand.
- Sluit dit product UITSLUITEND op een geaard en beveiligd stroomcircuit.
- Gebruik UITSLUITEND de montagebeugel of de hendel om dit product te dragen.
- Stop in het geval van ernstige operationele problemen onmiddellijk met het gebruik.
- De maximale omgevingstemperatuur bedraagt 45 °C. Gebruik dit product niet bij hogere temperaturen.
- De minimale opstarttemperatuur is -20° C. Start het product niet op bij lagere temperaturen.
- De minimale omgevingstemperatuur is -30 °C. Gebruik het product niet bij lagere temperaturen.

### FCC-naleving

Dit apparaat voldoet aan Part 15 Part B van de FCC-regels. Het gebruik is onderworpen aan de volgende twee voorwaarden:

1. Dit apparaat mag geen schadelijke interferentie veroorzaken, en
2. Dit apparaat moet enige ontvangen interferentie accepteren, inclusief interferentie die een ongewenste werking kan veroorzaken.

Eventuele wijzigingen of aanpassingen die niet uitdrukkelijk door de voor naleving verantwoordelijke partij zijn goedgekeurd, kan de bevoegdheid van de gebruiker om de apparatuur te bedienen ongeldig verklaren.

### RF-blootstellingswaarschuwing voor Noord-Amerika en Australië

**Waarschuwing!** Deze apparatuur voldoet aan de FCC-limieten voor blootstelling aan straling die zijn vastgesteld voor een ongecontroleerde omgeving. Deze apparatuur moet geplaatst en gebruikt worden met een minimale afstand van 20 cm tussen de radiator en uw lichaam. Deze zender mag niet op dezelfde locatie worden gebruikt als of geplaatst worden bij een andere antenne of zender.

### Contact

Van buiten de VS, Verenigd Koninkrijk, Ierland, Benelux, Frankrijk, Duitsland of Mexico kunt u contact opnemen met de distributeur of om ondersteuning vragen dan wel het product retourneren. Raadpleeg [Contact Us](#) aan het einde van deze BH voor contactinformatie.

### Wat is inbegrepen

- 4 onAir IP Panel Min
- Seetronic Powerkon IP65 stroomsnoer
- DMX mini XLR-adapter
- Kogelkopbevestiging
- Baby pin-ontvanger
- Beknopte handleiding

## AC-stroom

Dit product heeft een externe voeding met automatisch bereik die werkt met een ingangsspanning van 100–240 VAC, 50/60 Hz, en converteert het naar een 28 V DC 3-pins IP65 XLR-uitgang.

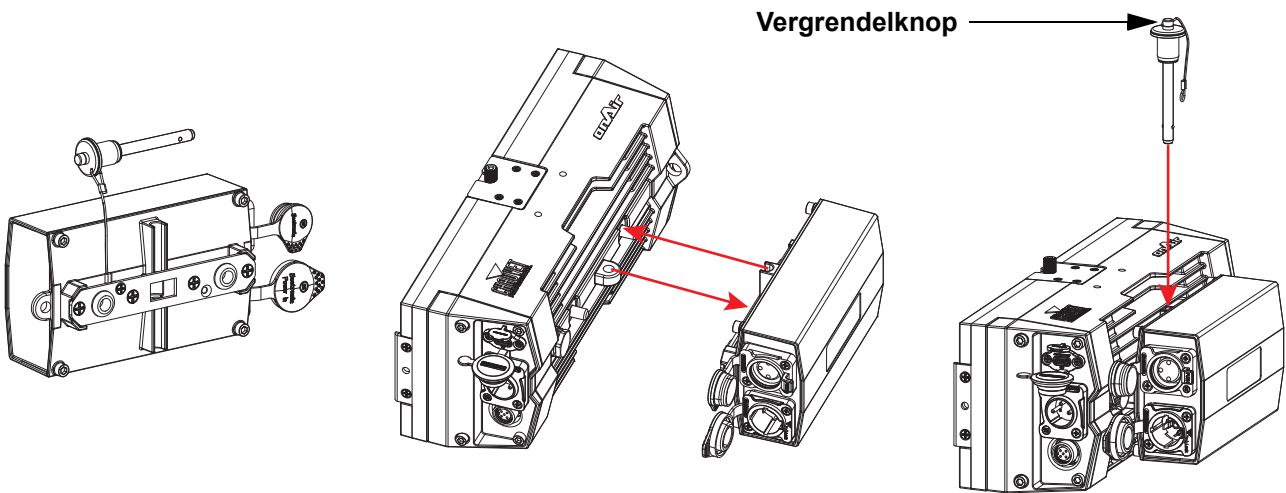
### AC-stekker

Aansluiting	Snoer (VS)	Snoer (Europa)	Schroefkleur
AC Live	Zwart	Bruin	Geel/messing
AC Neutraal	Wit	Blauw	Zilver
AC Aarde	Groen/geel	Groen/geel	Groen

### De voeding installeren

De voeding wordt met een borgpen aan het onAir IP Panel Min bevestigd.

1. Lijn de voeding uit zodat de lus op de achterzijde van het product en de lus op de voeding zijn uitgelijnd en in elkaar passen.
2. Houd de vergrendelknop op de borgpen aangedrukt en schuif het door de sets lussen op het product en de voeding.
3. Laat de vergrendelknop los.



## Gelijkstroom

Dit product heeft een 3-pins IP65 XLR-stroomingangspoort die kan werken met een ingangsspanning van 28 V DC.



**Om slijtage te elimineren en zijn levensduur te verlengen wanneer het product niet wordt gebruikt, moet u het product van de stroom afsluiten door een aardlekschakelaar om te zetten of door het te ontkoppelen.**

## Signaalverbindingen

De onAir IP Panel Min aansluiten op een controller of controllersoftware met behulp van DMX of draadloze Lumenradio CRMX™. Zie de gebruikershandleiding voor meer informatie over het verbinden en configureren van het product voor deze signalen.

### Aansturingspersoonlijkheden

De onAir IP Panel Min gebruikt DMX en CRMX™ voor zijn aansturingspersoonlijkheden: **1Ch, 3Ch, 4Ch, 5Ch, 6Ch, 8Ch, 10Ch, 11Ch, en 15Ch.**

### DMX-aansluiting

De onAir IP Panel Min kan met een DMX-controller werken met een 5-pins of draadloze CRMX™-gegevensverbinding. Op [www.chauvetprofessional.com](http://www.chauvetprofessional.com) is een DMX basishandleiding verkrijgbaar.

### RDM (apparaatbeheer op afstand)

RDM (apparaatbeheer op afstand) is een standaard die het voor DMX-apparaten mogelijk maakt om in twee richtingen te communiceren over DMX-kabels. De onAir IP Panel Min ondersteunt het RDM dat toelaat bij de bewaking van wijzigingen aan de menu map-opties. Download de gebruikershandleiding op [www.chauvetprofessional.com](http://www.chauvetprofessional.com) voor meer informatie.

## Draadloze bediening

In optimale omstandigheden, kan de onAir IP Panel Min werken tot een afstand van 300 m van de CRMX™ zender. De CRMX™ ontvanger in de onAir IP Panel Min moet met de CRMX™ zender zijn gekoppeld voor draadloze werking.

### Eerste opstelling

1. Schakel de CRMX™-zender in.
2. Sluit de CRMX™-zender aan op een DMX-regelaar.
3. Plaats de onAir IP Panel Min binnen 300 m van de CRMX™-zender.
4. Schakel de onAir IP Panel Min in.

### Configuratie

1. Ga vanuit het bedieningspaneel van de onAir IP Panel Min naar het **DMX Address**.
2. Kies het startadres, zoals bij elk ander DMX-compatibel product.
3. Ga naar **Wireless Setting > Receive On/Off**.
4. Kier **On**. (De aanduiding van de signaalsterkte toont een ? voor de streepjes)
5. Druk op de W-DMX-zender op de resetknop. (De indicator van de signaalsterkte op de onAir IP Panel Min toont 3 seconden een ⚡ voor de streepjes terwijl een verbinding wordt opgestart.)

### Koppelen van het product

Als de onAir IP Panel Min al is gekoppeld met de CRMX™-zender, toont de indicator voor de signaalsterkte in het midden van het scherm de signaalsterkte. In dit geval is de onAir IP Panel Min al klaar voor gebruik in de draadloze modus.

### Koppelen van de onAir IP Panel Min en een nieuwe CRMX™-zender

1. Ga vanuit het bedieningspaneel van de onAir IP Panel Min naar **Wireless Setting > Receive Reset**.
2. Kies **Yes**.
3. Druk vanuit de CRMX™-zender op **<RESET>**. De signaalaanduiding op de zender zal knipperen.
4. Nadat de zender de onAir IP Panel Min heeft gevonden, zal de signaalaanduiding op de CRMX™ zender onafgebroken branden.
5. De scherm op de onAir IP Panel Min toont de signaalsterkte.

 **De werking van CRMX™ kan worden verstoord of onderbroken door vloeistofmassa's tussen de zender en de ontvanger, zoals water, sneeuw of mensen. Houd het gebied tussen de zender en de ontvanger voor de beste resultaten vrij van vloeistofmassa.**

### USB-softwareupdate

De onAir IP Panel Min kan via USB een softwareupdate ontvangen via de ingebouwde USB-poort. Ga als volgt te werk om de software via USB bij te werken:

1. Schakel het armatuur in en steek de USB-stick in de USB-poort.
2. Zodra de flashdrive gedetecteerd is wordt de melding "**Upgrade Firmware**" (Firmware bijwerken) weergegeven. Druk op **<ENTER>**. Als er een andere melding op het scherm verschijnt moet u in het menu (**Upgrade Firmware**) (ofwel bijgewerkte firmware) naar de bijgewerkte software zoeken. Er wordt een lijst met de bijgewerkte softwarebestanden weergegeven.
3. Selecteer het bestand dat geüpload moet worden. Er verschijnt een melding "**Are you sure?**" (Weet u het zeker?). Druk op **<ENTER>**.
4. Als het geselecteerde bestand correct is, wordt de upgrade voltooid. Start de armatuur opnieuw op.
5. Als het geselecteerde bestand onjuist is, zal de upgrade mislukken en gaat het scherm terug naar de hoofdinterface. Herhaal stap 1-3 dan met het juiste bestand.

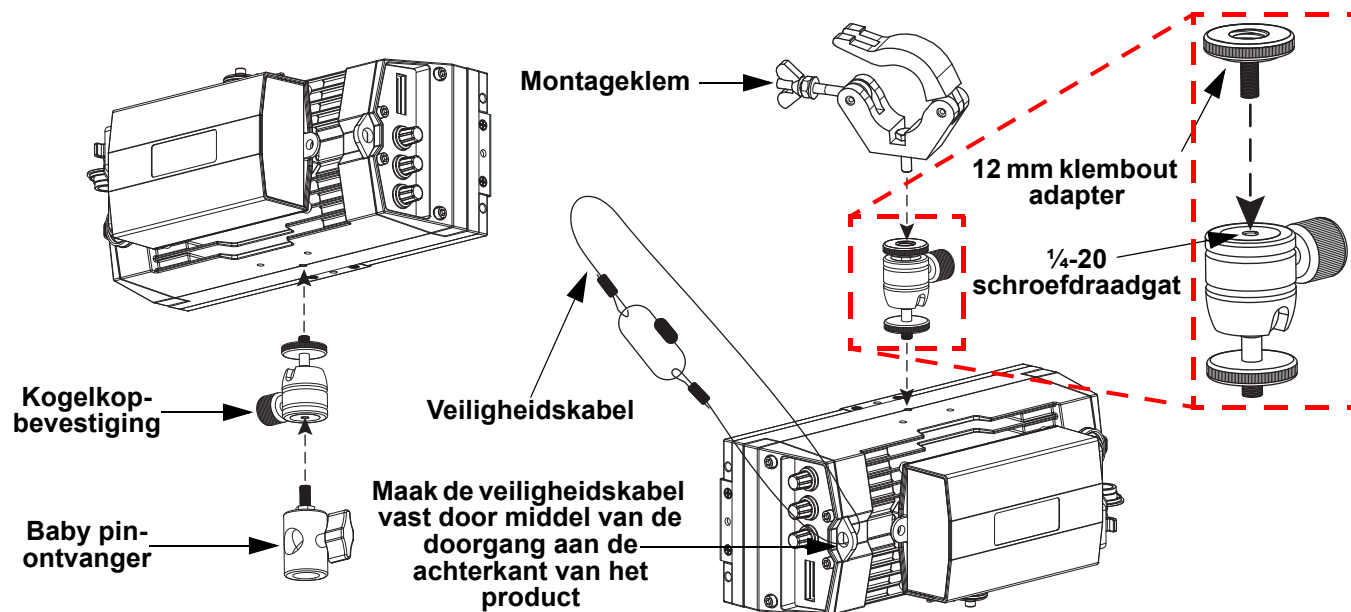
 **Het bestand in .chl-formaat moet in de map "ONAIR" op de USB-stick geplaatst worden.**



**Montage**

Lees alvorens dit product te monteren alle [Veiligheidsinstructies](#).

**Montagediagram van het product**

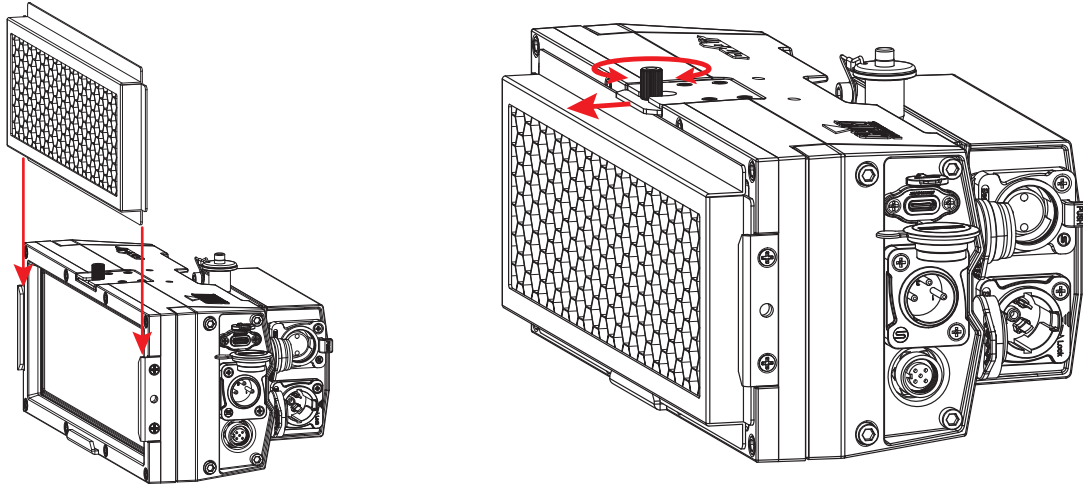


## Accessoires

De onAir IP Panel Min heeft een accessoiresleuf voor een filter of een honingraat (apart verkrijgbaar). De optionele barndoor (apart verkrijgbaar) past netjes over de voorzijde van het product.

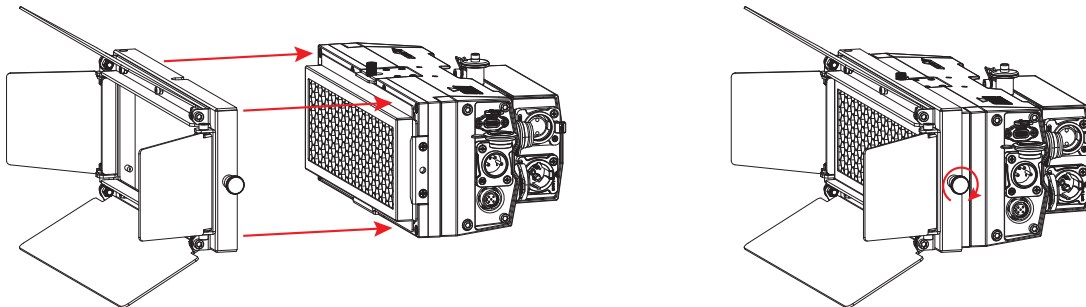
Om een filter of honingraat te installeren:

1. Schuif het filter of de honingraat in de accessoiresleuf.
2. Draai de duimschroef bovenop het product los en schuif het paneel naar buiten om het filter of de honingraat vast te zetten.
3. Draai de duimschroef aan.



Om de barndoor te installeren:

4. Plaats het barndoor-frame rond de voorzijde van het product.
5. Draai de knop vast om de barndoor vast te zetten.



## Startscherf

Het startscherf van de onAir IP Panel Min toont de huidige instellingen en status van het product.



Nummer	Beschrijving
1	Huidige producttemperatuur
2	Huidige status van het draadloze signaal
3	De onderste regel toont meer informatie over de huidige besturingsmodus

## On Board Control

Druk tweemaal op <MENU> om naar de On Board Control-modi te gaan. In een On Board Control-modus, regelen de bedieningsknoppen de output van het product.

### On Board Control-Menu

Hoofdniveau	Programmeerniveaus			Beschrijving
On Board Control	CCT Control	DIM	000–100%	De linkerknop regelt de dimmer
		HUE	-0.25–+0.25	De middelste knop regelt de tint
		CCT	2800–8000K	De rechterknop regelt de kleurtemperatuur
	HSV Control	INT	000–255	De linkerknop regelt de intensiteit
		HUE		De middelste knop regelt de tint
		SAT		De rechterknop regelt de verzadiging
	Effect Macros	Color Chase	Speed <001–100>	Selecteert effect macro's en snelheid
		Police Car		
		Firetruck		
		Fire		
		Clouds		
		Fireworks		
		Paparazzi		
Lightning				

## Beschrijving bedieningspaneel

Knop	Functie
<DIM/INT> <MENU>	Draaien om de dimmerwaarde in CCT-modus of de intensiteit in HSV-modus te verhogen of te verlagen
	Eenmaal indrukken om naar het menu te gaan
	Tweemaal indrukken om naar On Board Control te gaan
	Ingedrukt om naar het startscherf te gaan
	Indrukken om het huidige menu of functie af te sluiten of door de menukaart te bladeren
<HUE> <UP/DOWN>	Verhoogt of verlaagt de tintwaarde in CCT-modus of HSV-modus
	Navigeert omhoog/omlaag via het menu of verhoogt/verlaagt de numerieke waarde wanneer in een functie
<CCT/SAT> <ENTER>	Draaien om de kleurtemperatuur in CCT-modus, of de verzadiging in HSV-modus te verhogen of te verlagen
	Indrukken om het huidige getoonde menu te activeren of de huidige geselecteerde waarde in de geselecteerde functie te plaatsen

## Menukaart

Raadpleeg de productpagina van onAir IP Panel Min op [www.chauvetprofessional.com](http://www.chauvetprofessional.com) voor de nieuwste menukaart.

Hoofdniveau	Programmeerniveaus				Beschrijving	
<b>DMX Address</b>	<b>001–509*</b>				Selecteert het start-adres (*hoogste kanaal beperkt tot de gekozen persoonlijkheid)	
<b>DMX Channel</b>	<b>1Ch</b>	<b>Preset CCTs</b>	<b>Hue</b>	<b>&lt;-25–25&gt;</b>	1-kanaal: selecteert een vooraf ingestelde CCT en tint	
		<b>Manual Color Mixer</b>	<b>Red</b>		<b>&lt;000–255&gt;</b>	1-kanaal: combineert rood, groen, blauw en wit om een aangepaste kleur te genereren (0–100%)
			<b>Green</b>		<b>&lt;000–255&gt;</b>	
			<b>Blue</b>		<b>&lt;000–255&gt;</b>	
	<b>White</b>			<b>&lt;000–255&gt;</b>		
		<b>3Ch</b>			3-kanaals: dimmer, kleurtemperatuur, tint	
		<b>4Ch</b>			4-kanaals: 16-bit dimmer, kleurtemperatuur, tint, stroboscoop	
		<b>5Ch</b>			5-kanaals: RGBW	
		<b>6Ch</b>			6-kanaals: dimmer, RGBW, stroboscoop	
		<b>8Ch</b>			8-kanaals: 16-bit RGBW	
		<b>10Ch</b>			10-kanaals: dimmer, 16-bit RGBW, stroboscoop	
	<b>11Ch</b>			11-kanaals: dimmer, RGBW, stroboscoop, kleurtemperatuur, tint, effect macro's en snelheid, controle		
	<b>15Ch</b>			15-kanaals: 16-bit dimmer, 16-bit RGBW, stroboscoop, kleurtemperatuur, tint, effect macro's en snelheid		
	<b>CCT Control</b>				Gecorreleerde kleurtemperatuurregeling	
	<b>HSV Control</b>				Tint, verzadiging, waarde controle	
<b>Stalilc</b>	<b>Preset CCTs</b>	<b>2800K</b>	<b>Dimmer</b>	<b>&lt;000–255&gt;</b>	Selecteert een vooraf ingestelde kleurtemperatuur, dimmer, en tint	
		<b>2900K</b>				
		<b>3000K</b>				
		<b>3100K</b>				
		<b>3200K</b>				
		<b>3300K</b>				
		<b>3400K</b>				
		<b>3500K</b>				
		<b>3600K</b>				
		<b>3700K</b>				
		<b>3800K</b>				
		<b>3900K</b>				
		<b>4000K</b>				
		<b>4100K</b>				
		<b>4200K</b>				
		<b>4300K</b>				
		<b>4400K</b>				
		<b>4500K</b>				
		<b>4600K</b>				
		<b>4700K</b>				
		<b>4800K</b>				
<b>4900K</b>						
<b>5000K</b>						
<b>5100K</b>						
<b>5200K</b>						
<b>5300K</b>						
<b>5400K</b>						
<b>5500K</b>						
<b>5600K</b>						
<b>5700K</b>						
<b>6000K</b>						
		<b>Hue</b>	<b>&lt;-25–25&gt;</b>			

Hoofdniveau	Programmeerniveaus			Beschrijving		
Static (cont.)	Preset CCTs (cont.)	6500K	Dimmer	<000-255>	Selecteert een vooraf ingestelde kleurtemperatuur, dimmer, en tint	
		7000K				
		7500K	Hue	<-25-25>		
		8000K				
	Manual Color Mixer	Red	<000-255>			Combineert rood, groen, blauw en wit om een aangepaste kleur te genereren (0-100%)
		Green				
Blue						
White						
Effect Macros	Color Chase	<001-100>		Selecteert effect macro's en snelheid		
	Police Car					
	Firetruck					
	Fire					
	Clouds					
	Fireworks					
	Paparazzi					
Lightning						
Red Shift	On			Schakelt rode verschuiving aan of uit		
	Off					
Master/Slave	Master			Zelfstandige-modus		
	Slave			Slaaf-modus		
DMX Loss	Hold Last			Houdt laatst ontvangen signaal vast		
	Stop DMX			Houdt de lichtopbrengst		
	Blackout			Verduistert de armatuur		
Dimmer Curve	S Curve			Stelt de dimcurve in		
	Linear					
	Square					
	Inverse Square					
Dimmer Mode	Off			Lineaire dimmer		
	Dimmer 1-3			Selecteert dimprofielen van snel (1) tot langzaam (3)		
Color Calibration	Off		<125-255>	Kleurkalibratie uitgeschakeld		
	User Calibration	Red		Stelt de maximum waarde van de rode LED in		
		Green			Stelt de maximum waarde van de groene LED in	
		Blue				Stelt de maximum waarde van de blauwe LED in
		White				
Factory Calibration		Kleurkalibratie ingesteld door de fabriek				
LED Frequency	600Hz			Selecteert de PWM-uitgangsfrequentie		
	1200Hz					
	2000Hz					
	4000Hz					
	6000Hz					
	25KHz					
Wireless Setting	Receive On/Off	Off				
		On				
	Receive Reset	No				
		Yes				
Wireless To DMX	No					
	Yes					
Back Light	10S			Schakelt de CRMX™-functie aan/uit		
	30S					
	2Min					
	Always On				Reset de draadloze ontvanger	
Information	Fixture Hours	<_ _ _ _ H>		Schakelt de draadloze naar DMX-functie in/uit		
	LED Hours	<_ _ _ _ H>				
	Version	<V_ _ _ >		Toont de geïnstalleerde firmware-versie		
	UID	21A40139_ _ _ _			Shows product UID	

NL

Hoofdniveau	Programmeerniveaus	Beschrijving
Upgrade Firmware	No Such File! (als er geen bestand beschikbaar is)	Wordt getoond als er geen bestand beschikbaar is
	Upgrade All	Alle beschikbare firmware upgraden
	-----_CHL	Geselecteerde firmware upgraden
	-----_CHL	
Factory Reset	...	Reset naar standaard fabrieksinstellingen
	No Yes	

## DMX-waarden

## 15Ch

Kanaal	Functie	Waarde	Percentage/Instelling
1	Dimmer	000 ⇔ 255	0–100%
2	Fijne dimmer	000 ⇔ 255	0–100%
3	Rood	000 ⇔ 255	0–100%
4	Fijne rood	000 ⇔ 255	0–100%
5	Groen	000 ⇔ 255	0–100%
6	Fijne groen	000 ⇔ 255	0–100%
7	Blauw	000 ⇔ 255	0–100%
8	Fijne blauw	000 ⇔ 255	0–100%
9	Wit	000 ⇔ 255	0–100%
10	Fijne wit	000 ⇔ 255	0–100%
11	Stroboscoop	000 ⇔ 010	Geen functie
		011 ⇔ 255	Stroboscoop, langzaam tot snel

Kanaal	Functie	Waarde	Percentage/Instelling
12	Kleurtemperatuur	000 ⇄ 005	Geen functie
		006 ⇄ 012	2800K
		013 ⇄ 019	2900K
		020 ⇄ 026	3000K
		027 ⇄ 033	3100K
		034 ⇄ 040	3200K
		041 ⇄ 047	3300K
		048 ⇄ 054	3400K
		055 ⇄ 061	3500K
		062 ⇄ 068	3600K
		069 ⇄ 075	3700K
		076 ⇄ 082	3800K
		083 ⇄ 089	3900K
		090 ⇄ 096	4000K
		097 ⇄ 103	4100K
		104 ⇄ 110	4200K
		111 ⇄ 117	4300K
		118 ⇄ 124	4400K
		125 ⇄ 131	4500K
		132 ⇄ 138	4600K
		139 ⇄ 145	4700K
		146 ⇄ 152	4800K
		153 ⇄ 159	4900K
		160 ⇄ 166	5000K
		167 ⇄ 173	5100K
		174 ⇄ 180	5200K
		181 ⇄ 187	5300K
188 ⇄ 194	5400K		
195 ⇄ 201	5500K		
202 ⇄ 208	5600K		
209 ⇄ 215	5700K		
216 ⇄ 222	6000K		
223 ⇄ 229	6500K		
230 ⇄ 236	7000K		
237 ⇄ 243	7500K		
244 ⇄ 255	8000K		
13	Tint	000 ⇄ 001	0
		002 ⇄ 255	-25--+25
14	Effect macro's	000 ⇄ 010	Geen functie
		011 ⇄ 039	Kleurachtervolging
		040 ⇄ 068	Politieauto
		069 ⇄ 096	Brandweerwagen
		097 ⇄ 125	Brand
		126 ⇄ 154	Wolken
		155 ⇄ 182	Vuurwerk
		183 ⇄ 211	Paparazzi
212 ⇄ 240	Bliksem		
241 ⇄ 255	Geen functie		
15	Effect macro-snelheid	000 ⇄ 255	Snelheid, langzaam tot snel

NL

## 11Ch

Kanaal	Functie	Waarde	Percentage/Instelling
1	Dimmer	000 ⇔ 255	0–100%
2	Rood	000 ⇔ 255	0–100%
3	Groen	000 ⇔ 255	0–100%
4	Blauw	000 ⇔ 255	0–100%
5	Wit	000 ⇔ 255	0–100%
6	Stroboscoop	000 ⇔ 010 011 ⇔ 255	Geen functie Stroboscoop, langzaam tot snel
7	Kleurtemperatuur	000 ⇔ 005 006 ⇔ 012 013 ⇔ 019 020 ⇔ 026 027 ⇔ 033 034 ⇔ 040 041 ⇔ 047 048 ⇔ 054 055 ⇔ 061 062 ⇔ 068 069 ⇔ 075 076 ⇔ 082 083 ⇔ 089 090 ⇔ 096 097 ⇔ 103 104 ⇔ 110 111 ⇔ 117 118 ⇔ 124 125 ⇔ 131 132 ⇔ 138 139 ⇔ 145 146 ⇔ 152 153 ⇔ 159 160 ⇔ 166 167 ⇔ 173 174 ⇔ 180 181 ⇔ 187 188 ⇔ 194 195 ⇔ 201 202 ⇔ 208 209 ⇔ 215 216 ⇔ 222 223 ⇔ 229 230 ⇔ 236 237 ⇔ 243 244 ⇔ 255	Geen functie 2800K 2900K 3000K 3100K 3200K 3300K 3400K 3500K 3600K 3700K 3800K 3900K 4000K 4100K 4200K 4300K 4400K 4500K 4600K 4700K 4800K 4900K 5000K 5100K 5200K 5300K 5400K 5500K 5600K 5700K 6000K 6500K 7000K 7500K 8000K
8	Tint	000 ⇔ 001 002 ⇔ 255	0 -25–+25
9	Effect macro's	000 ⇔ 010 011 ⇔ 039 040 ⇔ 068 069 ⇔ 096 097 ⇔ 125 126 ⇔ 154 155 ⇔ 182 183 ⇔ 211 212 ⇔ 240 241 ⇔ 255	Geen functie Kleurachtervolging Politieauto Brandweerwagen Brand Wolken Vuurwerk Paparazzi Bliksem Geen functie



Kanaal	Functie	Waarde	Percentage/Instelling
10	Effect macro-snelheid	000 ⇔ 255	Snelheid, langzaam tot snel
11	Controle	000 ⇔ 007	Geen functie
		008 ⇔ 015	Reset dimmer
		016 ⇔ 023	Schakelt rode verschuiving aan
		024 ⇔ 031	Schakelt rode verschuiving uit
		032 ⇔ 039	S-curve dimcurve
		040 ⇔ 047	Lineaire dimcurve
		048 ⇔ 055	Vierkant dimcurve
		056 ⇔ 063	Omgekeerde vierkante dimcurve
		064 ⇔ 071	Dimmer snelheidsmodus uit
		072 ⇔ 079	Dimmer snelheidsmodus 1 (snel)
		080 ⇔ 087	Dimmer snelheidsmodus 2
088 ⇔ 095	Dimmer snelheidsmodus 3 (langzaam)		
096 ⇔ 255	Gereserveerd voor toekomstig gebruik		

**10Ch**

Kanaal	Functie	Waarde	Percentage/Instelling
1	Dimmer	000 ⇔ 255	0–100%
2	Rood	000 ⇔ 255	0–100%
3	Fijne rood	000 ⇔ 255	0–100%
4	Groen	000 ⇔ 255	0–100%
5	Fijne groen	000 ⇔ 255	0–100%
6	Blauw	000 ⇔ 255	0–100%
7	Fijne blauw	000 ⇔ 255	0–100%
8	Wit	000 ⇔ 255	0–100%
9	Fijne wit	000 ⇔ 255	0–100%
10	Stroboscoop	000 ⇔ 010	Geen functie
		011 ⇔ 255	Stroboscoop, langzaam tot snel

**8Ch**

Kanaal	Functie	Waarde	Percentage/Instelling
1	Rood	000 ⇔ 255	0–100%
2	Fijne rood	000 ⇔ 255	0–100%
3	Groen	000 ⇔ 255	0–100%
4	Fijne groen	000 ⇔ 255	0–100%
5	Blauw	000 ⇔ 255	0–100%
6	Fijne blauw	000 ⇔ 255	0–100%
7	Wit	000 ⇔ 255	0–100%
8	Fijne wit	000 ⇔ 255	0–100%

**6Ch**

Kanaal	Functie	Waarde	Percentage/Instelling
1	Dimmer	000 ⇔ 255	0–100%
2	Rood	000 ⇔ 255	0–100%
3	Groen	000 ⇔ 255	0–100%
4	Blauw	000 ⇔ 255	0–100%
5	Wit	000 ⇔ 255	0–100%
6	Stroboscoop	000 ⇔ 010	Geen functie
		011 ⇔ 255	Stroboscoop, langzaam tot snel

NL

## 5Ch

Kanaal	Functie	Waarde	Percentage/Instelling
1	Dimmer	000 ⇔ 255	0–100%
2	Fijne dimmer	000 ⇔ 255	0–100%
3	Kleurtemperatuur	000 ⇔ 005	Geen functie
		006 ⇔ 012	2800K
		013 ⇔ 019	2900K
		020 ⇔ 026	3000K
		027 ⇔ 033	3100K
		034 ⇔ 040	3200K
		041 ⇔ 047	3300K
		048 ⇔ 054	3400K
		055 ⇔ 061	3500K
		062 ⇔ 068	3600K
		069 ⇔ 075	3700K
		076 ⇔ 082	3800K
		083 ⇔ 089	3900K
		090 ⇔ 096	4000K
		097 ⇔ 103	4100K
		104 ⇔ 110	4200K
		111 ⇔ 117	4300K
		118 ⇔ 124	4400K
		125 ⇔ 131	4500K
		132 ⇔ 138	4600K
		139 ⇔ 145	4700K
		146 ⇔ 152	4800K
		153 ⇔ 159	4900K
		160 ⇔ 166	5000K
167 ⇔ 173	5100K		
174 ⇔ 180	5200K		
181 ⇔ 187	5300K		
188 ⇔ 194	5400K		
195 ⇔ 201	5500K		
202 ⇔ 208	5600K		
209 ⇔ 215	5700K		
216 ⇔ 222	6000K		
223 ⇔ 229	6500K		
230 ⇔ 236	7000K		
237 ⇔ 243	7500K		
244 ⇔ 255	8000K		
4	Tint	000 ⇔ 001	0
		002 ⇔ 255	-25–+25
5	Stroboscoop	000 ⇔ 010	Geen functie
		011 ⇔ 255	Stroboscoop, langzaam tot snel

## 4Ch

Kanaal	Functie	Waarde	Percentage/Instelling
1	Rood	000 ⇔ 255	0–100%
2	Groen	000 ⇔ 255	0–100%
3	Blauw	000 ⇔ 255	0–100%
4	Wit	000 ⇔ 255	0–100%

**3Ch**

Kanaal	Functie	Waarde	Percentage/Instelling
1	Dimmer	000 ⇔ 255	0–100%
2	Kleurtemperatuur	000 ⇔ 005	Geen functie
		006 ⇔ 012	2800K
		013 ⇔ 019	2900K
		020 ⇔ 026	3000K
		027 ⇔ 033	3100K
		034 ⇔ 040	3200K
		041 ⇔ 047	3300K
		048 ⇔ 054	3400K
		055 ⇔ 061	3500K
		062 ⇔ 068	3600K
		069 ⇔ 075	3700K
		076 ⇔ 082	3800K
		083 ⇔ 089	3900K
		090 ⇔ 096	4000K
		097 ⇔ 103	4100K
		104 ⇔ 110	4200K
		111 ⇔ 117	4300K
		118 ⇔ 124	4400K
		125 ⇔ 131	4500K
		132 ⇔ 138	4600K
		139 ⇔ 145	4700K
		146 ⇔ 152	4800K
		153 ⇔ 159	4900K
		160 ⇔ 166	5000K
167 ⇔ 173	5100K		
174 ⇔ 180	5200K		
181 ⇔ 187	5300K		
188 ⇔ 194	5400K		
195 ⇔ 201	5500K		
202 ⇔ 208	5600K		
209 ⇔ 215	5700K		
216 ⇔ 222	6000K		
223 ⇔ 229	6500K		
230 ⇔ 236	7000K		
237 ⇔ 243	7500K		
244 ⇔ 255	8000K		
3	Tint	000 ⇔ 001	0
		002 ⇔ 255	-25–+25

**1Ch**

Kanaal	Functie	Waarde	Percentage/Instelling
1	Dimmer	000 ⇔ 255	0–100% (kleur ingesteld via menu)

## Contact Us

General Information	Technical Support
<b>Chauvet World Headquarters</b>	
Address: 5200 NW 108th Ave. Sunrise, FL 33351 Voice: (954) 577-4455 Fax: (954) 929-5560 Toll Free: (800) 762-1084	Voice: (844) 393-7575 Fax: (954) 756-8015 Email: <a href="mailto:chauvetcs@chauvetlighting.com">chauvetcs@chauvetlighting.com</a> Website: <a href="http://www.chauvetprofessional.com">www.chauvetprofessional.com</a>
<b>Chauvet Europe Ltd.</b>	
Address: Unit 1C Brookhill Road Industrial Estate Pinxton, Nottingham, UK NG16 6NT Voice: +44 (0) 1773 511115 Fax: +44 (0) 1773 511110	Email: <a href="mailto:UKtech@chauvetlighting.eu">UKtech@chauvetlighting.eu</a> Website: <a href="http://www.chauvetprofessional.eu">www.chauvetprofessional.eu</a>
<b>Chauvet Europe BVBA</b>	
Address: Stokstraat 18 9770 Kruishoutem Belgium Voice: +32 9 388 93 97	Email: <a href="mailto:BNLtech@chauvetlighting.eu">BNLtech@chauvetlighting.eu</a> Website: <a href="http://www.chauvetprofessional.eu">www.chauvetprofessional.eu</a>
<b>Chauvet France</b>	
Address: 3, Rue Ampère 91380 Chilly-Mazarin France Voice: +33 1 78 85 33 59	Email: <a href="mailto:FRtech@chauvetlighting.fr">FRtech@chauvetlighting.fr</a> Website: <a href="http://www.chauvetprofessional.eu">www.chauvetprofessional.eu</a>
<b>Chauvet Germany</b>	
Address: Bruno-Bürgel-Str. 11 28759 Bremen Germany Voice: +49 421 62 60 20	Email: <a href="mailto:DEtech@chauvetlighting.de">DEtech@chauvetlighting.de</a> Website: <a href="http://www.chauvetprofessional.eu">www.chauvetprofessional.eu</a>
<b>Chauvet Mexico</b>	
Address: Av. de las Partidas 34 - 3B (Entrance by Calle 2) Zona Industrial Lerma Lerma, Edo. de México, CP 52000 Voice: +52 (728) 690-2010	Email: <a href="mailto:servicio@chauvet.com.mx">servicio@chauvet.com.mx</a> Website: <a href="http://www.chauvetprofessional.mx">www.chauvetprofessional.mx</a>

Visit the applicable website above to verify our contact information and instructions to request support. Outside the U.S., U. K., Ireland, Mexico, France, Germany, or Benelux, contact the dealer of record.

