
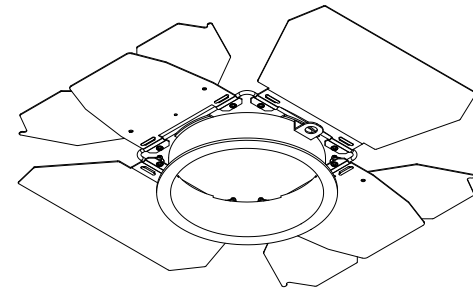
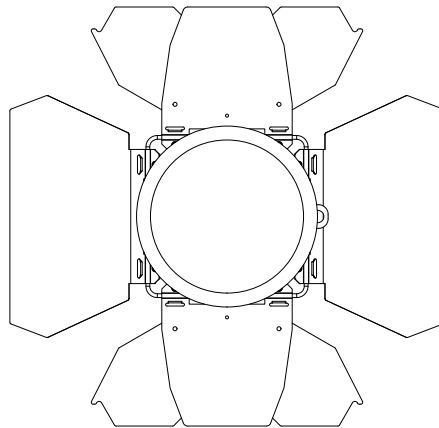
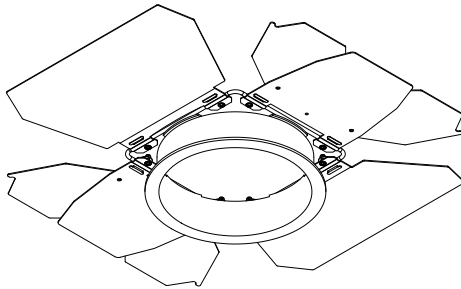
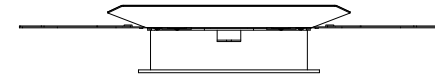
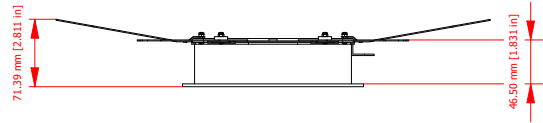
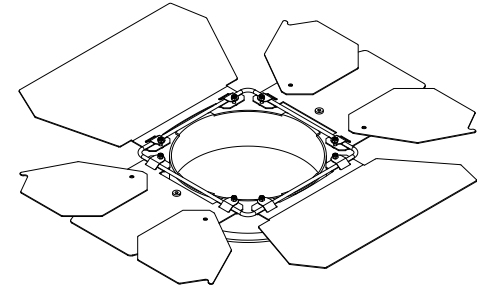
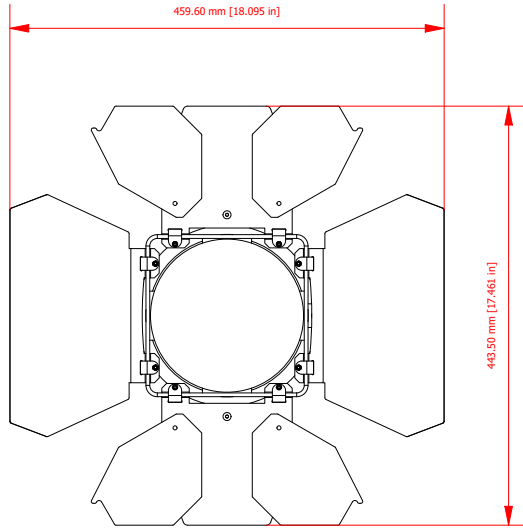
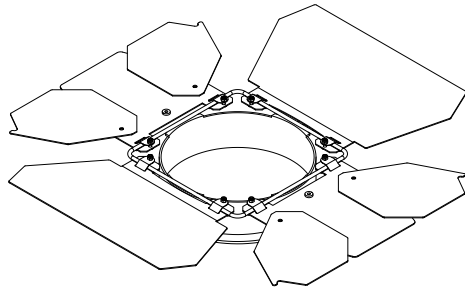


DRAWN D.Gooch	DATE 11/6/2019	TITLE OF75BARNDORRV2
 © Chauvet & Sons, LLC (2019) All Product specifications and dimensions are subject to change without notice		
SCALE: 1 / 8		



DRAWN D.Gooch	DATE 11/6/2019	TITLE OF75BARNDORV2
------------------	-------------------	------------------------

CHAUVET
PROFESSIONAL

© Chauvet & Sons, LLC (2019)
All Product specifications and dimensions are
subject to change without notice

SCALE: 1/8