

MAVERICK STORM

2 BEAMWASH

User Manual



Model ID: MAVERICKSTORM2BEAMWASH

CHAUVET
PROFESSIONAL

Edition Notes

The Maverick Storm 2 BeamWash User Manual includes a description, safety precautions, installation, programming, operation and maintenance instructions for the Maverick Storm 2 BeamWash as of the release date of this edition.

Trademarks

Chauvet, Chauvet Professional, the Chauvet logo, Maverick, and Maverick Storm are registered trademarks or trademarks of Chauvet & Sons, LLC (d/b/a Chauvet and Chauvet Lighting) in the United States and other countries. Other company and product names and logos referred to herein may be trademarks of their respective companies.

Copyright Notice

The works of authorship contained in this manual, including, but not limited to, all design, text and images are owned by Chauvet.

© **Copyright 2023 Chauvet & Sons, LLC. All rights reserved.**

Electronically published by Chauvet in the United States of America.

Manual Use

Chauvet authorizes its customers to download and print this manual for professional information purposes only. Chauvet expressly prohibits the usage, copy, storage, distribution, modification, or printing of this manual or its content for any other purpose without written consent from Chauvet.

Document Printing

For best results, print this document in color, on letter size paper (8.5 x 11 in), double-sided. If using A4 paper (210 x 297 mm), configure the printer to scale the content accordingly.

Intended Audience

Any person installing, operating, and/or maintaining this product should completely read through the guide that shipped with the product, as well as this manual, before installing, operating, or maintaining this product.

Disclaimer

Chauvet believes that the information contained in this manual is accurate in all respects. However, Chauvet assumes no responsibility and specifically disclaims any and all liability to any party for any loss, damage or disruption caused by any errors or omissions in this document, whether such errors or omissions result from negligence, accident or any other cause. Chauvet reserves the right to revise the content of this document without any obligation to notify any person or company of such revision, however, Chauvet has no obligation to make, and does not commit to make, any such revisions. Download the latest version from www.chauvetprofessional.com.

Document Revision

This Maverick Storm 2 BeamWash User Manual is the 3rd edition of this document. Go to www.chauvetprofessional.com for the latest version.

TABLE OF CONTENTS

1. Before You Begin	1
What Is Included	1
Claims	1
Text Conventions	1
Symbols	1
FCC Compliance.....	1
RF Exposure Warning for North America, and Australia.....	1
Safety Notes.....	2
Personal Safety.....	2
Mounting and Rigging	2
Power and Wiring.....	2
Operation	2
Expected LED Lifespan.....	2
2. Introduction	3
Description	3
Features.....	3
Product Overview.....	3
Product Dimensions	4
3. Setup	5
AC Power	5
AC Plug	5
Fuse Replacement.....	5
Signal Connections	5
Control Personalities	5
DMX Linking.....	6
Art-Net™ Connection	6
sACN Connection.....	6
Connection Diagram	6
Remote Device Management (RDM).....	6
USB Software Update	6
Mounting	7
Orientation.....	7
Rigging	7
Procedure.....	7
4. Operation	8
Control Panel Description	8
Battery Powered Display.....	8
Home Screen	8
Control Panel Lock.....	8
Passcode	8
Technician Mode.....	8
Menu Map	9
Configuration (Control Settings).....	14
Control Mode.....	14
Control Personalities	15
Starting Address.....	15

Universe	15
Network Setup.....	15
IP Mode	15
Manual IP Address	16
Subnet Mask.....	16
Control Channel Assignments and Value	16
Pixel Chart.....	16
Single Control Mode.....	17
Dual Control Mode (Movement)	25
Dual Control Mode (Pixels)	27
Color Chart.....	32
Strobe Chart.....	32
Control Chart.....	33
Configuration (Test)	33
Automatic Test	33
Manual Test	33
Configuration (Settings)	34
Pan Reverse	34
Tilt Reverse	34
Screen Reverse	34
Pan Angle.....	34
Tilt Angle	34
Blackout on Movement.....	34
Swap Pan and Tilt.....	34
WDMX Reset	34
Display Backlight Timer.....	34
Loss of Data	35
Fan Mode	35
Color Mixing Mode	35
Dimmer Curve	35
Dimmer Speed	35
Pulse Width Modulation	35
Color Balance.....	35
Calibrated White.....	35
Color Balance	35
Preset Selection	36
Preset Synchronization	36
Reset Function	36
Factory Reset.....	36
System Information	36
Offset Mode (Zero Adjust).....	36
Web Server	37
5. Maintenance.....	38
Product Maintenance	38
6. Technical Specifications	39
Contact Us	40
Warranty & Returns.....	40

Before You Begin

1. Before You Begin

What Is Included

- Maverick Storm 2 BeamWash
- 2 Omega Brackets with Mounting Hardware
- Seetronic Powerkon IP65 Power Cable
- Quick Reference Guide

Claims

Carefully unpack the product immediately and check the container to make sure all the parts are in the package and are in good condition.




If the box or the contents (the product and included accessories) appear damaged from shipping, or show signs of mishandling, notify the carrier immediately, not Chauvet. Failure to report damage to the carrier immediately may invalidate your claim. In addition, keep the box and contents for inspection.

For other issues, such as missing components or parts, damage not related to shipping, or concealed damage, file a claim with Chauvet within 7 days of delivery.

Text Conventions

Convention	Meaning
1–512	A range of values
50/60	A set of values of which only one can be chosen
Settings	A menu option not to be modified
<ENTER>	A key to be pressed on the product's control panel

Symbols

Symbol	Meaning
	Critical installation, configuration, or operation information. Not following these instructions may make the product not work, cause damage to the product, or cause harm to the operator.
	Important installation or configuration information. The product may not function correctly if this information is not used.
	Useful information.



Any reference to data or power connections in this manual assumes the use of Seetronic IP rated cables.



The term “DMX” used throughout this manual refers to the USITT DMX512-A digital data transmission protocol.

FCC Compliance

This device complies with Part 15 Part B of the FCC Rules. Operation is subject to the following two conditions:

1. This device may not cause harmful interference, and
2. This device must accept any interference received, including interference that may cause undesired operation.

Any changes or modifications not expressly approved by the party responsible for compliance could void the user's authority to operate the equipment.

RF Exposure Warning for North America, and Australia

Warning! This equipment complies with FCC radiation exposure limits set forth for an uncontrolled environment. This equipment should be installed and operated with a minimum distance of 20cm between the radiator and your body. This transmitter must not be co-located or operating in conjunction with any other antenna or transmitter.

Safety Notes

Read all the following safety notes before working with this product. These notes contain important information about the installation, usage, and maintenance of this product.



This product contains no user-serviceable parts. Any reference to servicing in this User Manual will only apply to properly trained, certified technicians. Do not open the housing or attempt any repairs.



All applicable local codes and regulations apply to proper installation of this product.

Personal Safety

- Avoid direct eye exposure to the light source while the product is on.
- Always disconnect the product from the power source before cleaning or replacing the fuse.
- Always connect the product to a grounded circuit to avoid the risk of electrocution.
- Do not touch the product's housing when operating because it may be very hot.

Mounting and Rigging

- The product is intended for professional use only.
- Do not submerge this product (IP65). Temporary outdoor operation is fine.
- When using this product in an outdoor environment, use IP65 (or higher) rated power and data cables. Secure unused power and data ports with attached IP65 covers.
- CAUTION: When transferring product from extreme temperature environments, (e.g., cold truck to warm humid ballroom) condensation may form on the internal electronics of the product. To avoid causing a failure, allow product to fully acclimate to the surrounding environment before connecting it to power.
- Not for permanent outdoor installation in locations with extreme environmental conditions. This includes, but is not limited to:
 - Exposure to a marine/saline environment (within 3 miles of a saltwater body of water).
 - Locations where the normal high or low temperatures exceed the temperature ranges in this manual.
 - Locations that are prone to flooding or being buried in snow.
 - Areas where the product will be subjected to extreme radiation or caustic substances.
- Mount this product in a location with adequate ventilation, at least 20 in (50 cm) from adjacent surfaces.
- The product should be positioned so that prolonged staring into it at a distance closer than 17.7 ft (5.4 m) is not expected.
- Make sure there are no flammable materials within 20 in (50 cm) of this product while it is operating.
- When hanging this product, always secure to a fastening device using a safety cable.
- Never carry the product by the power cable.

Power and Wiring

- Make sure the power cable is not crimped or damaged.
- Ensure that the product is connected to the proper voltage in accordance with the specifications in this manual or on the product's specification label.
- To eliminate unnecessary wear and improve its lifespan, during periods of non-use completely disconnect the product from power via breaker or by unplugging it.
- Never connect this product to a dimmer pack or rheostat.
- Make sure to replace the fuse with another of the same type and rating.
- Never disconnect this product by pulling or tugging on the power cable.
- If the external flexible cable or cord of this product is damaged, it shall be replaced with a special cable or cord exclusively available from the manufacturer or its service agent.
- The light source contained in this luminaire shall only be replaced by the manufacturer, its service agent, or a similarly qualified person.

Operation

- Do not operate this product if there is damage on the housing, lenses, or cables. Have the damaged parts replaced by an authorized technician at once.
- Do not cover the ventilation slots when operating to avoid internal overheating.
- The maximum ambient temperature is 113 °F (45 °C). Do not operate the product at higher temperatures.
- The minimum startup temperature is -4°F (-20°C). Do not start the product at lower temperatures.
- The minimum ambient temperature is -22°F (-30°C). Do not operate the product at lower temperatures.
- In the event of a serious operation problem, stop using this product immediately!



If your Chauvet product requires service, contact Chauvet Technical Support.

Expected LED Lifespan

Over time, use and heat will gradually reduce LED brightness. Clustered LEDs produce more heat than single LEDs, contributing to shorter lifespans if always used at full intensity. The average LED lifespan is 40,000 to 50,000 hours. To extend LED lifespan, maintain proper ventilation around the product, and limit the overall intensity.

2. Introduction

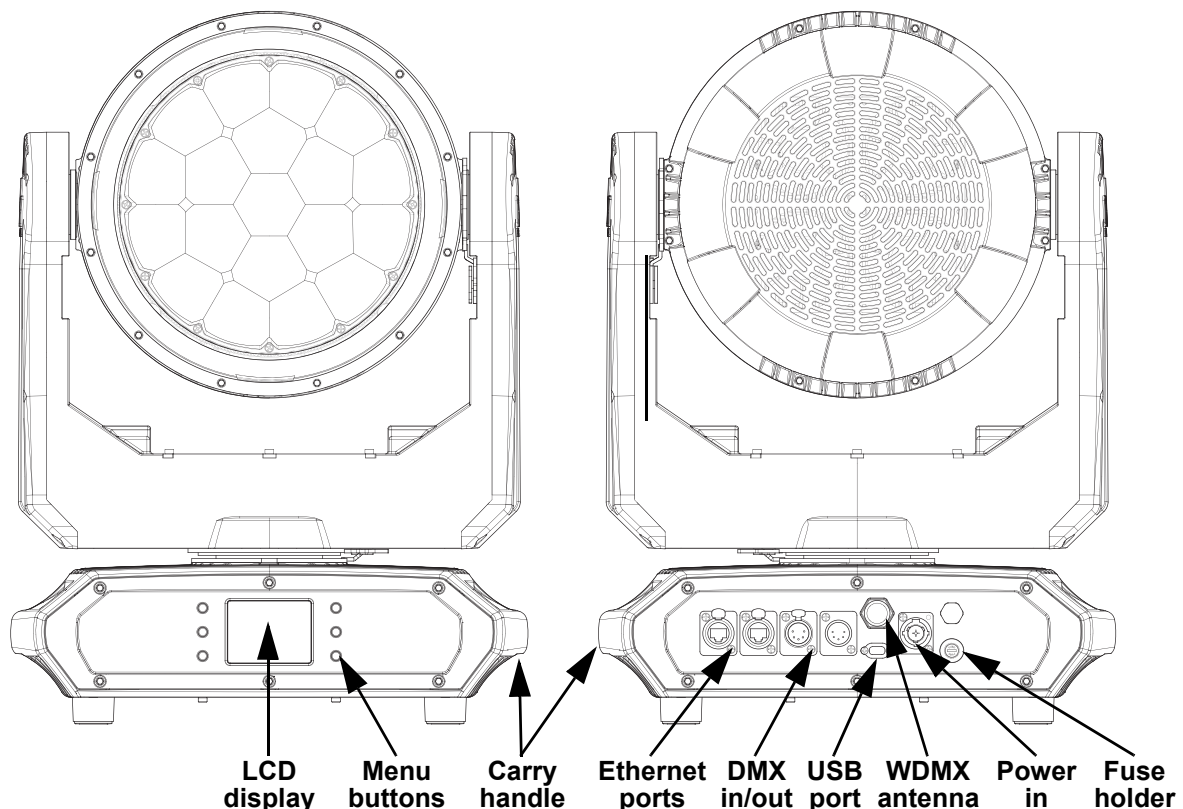
Description

The Maverick Storm 2 BeamWash is a powerful and compact IP65 moving head with a zoom range capable of wide 53.1° washes and intense tight 3.6° beams. An incredibly bright output of nearly 10,000 lumens makes the Maverick Storm 2 BeamWash well-suited for any application or venue size. Pixel-mapping effects, including a 12-zone RGB LED outer ring, add to the unit's versatility; and a virtual gobo wheel with background colors creates an array of immersive atmospheric effects. The RDM-enabled unit features 16-bit dimming and can be controlled via DMX, WDMX, Art-Net™, sACN, and Arkaos Kling-Net.

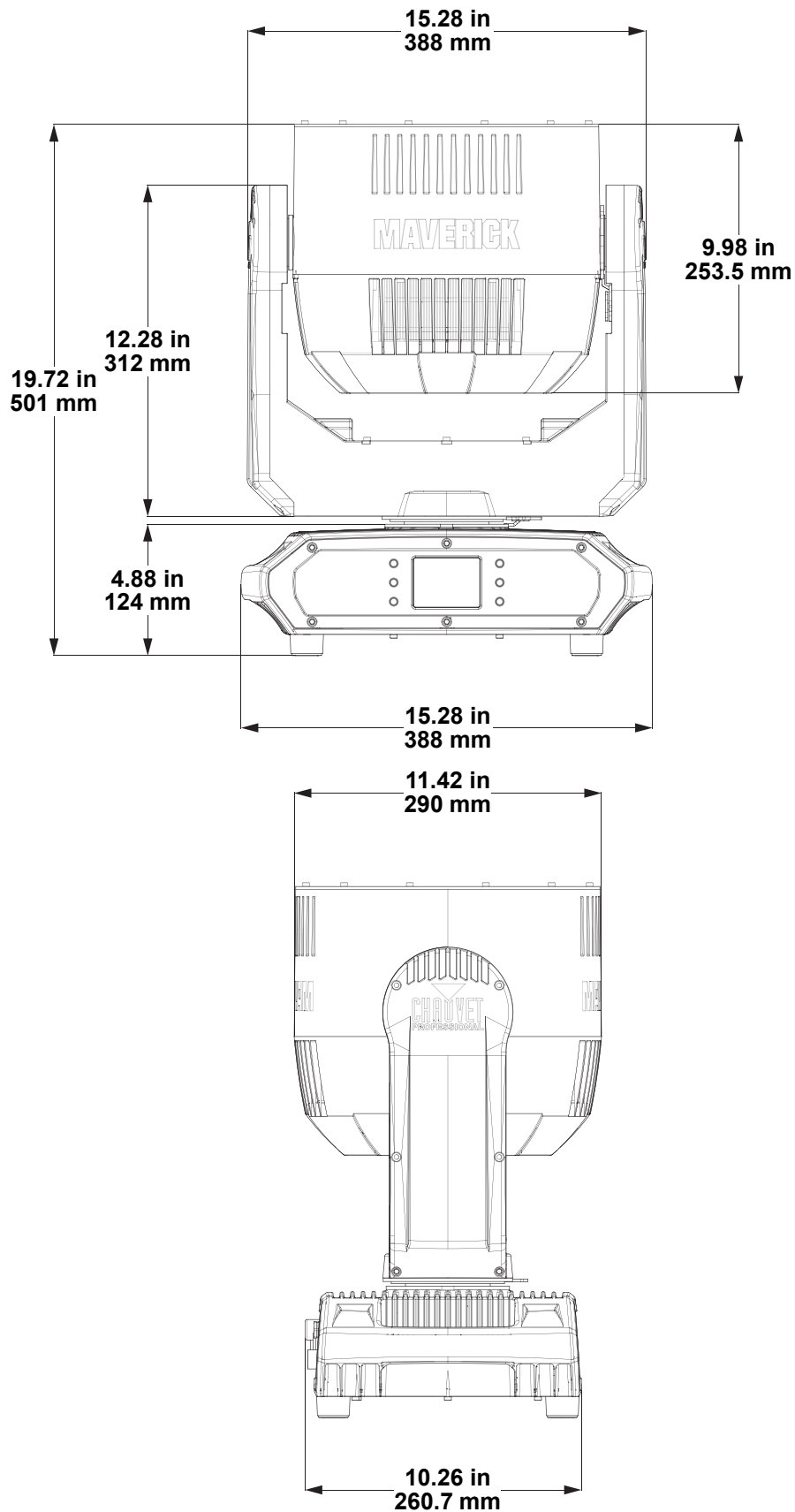
Features

- Full-featured, compact IP65 BeamWash with (19) 50 w RGBW LEDs that zoom down to 3.6 degrees to produce powerful, tight aerial beams and out to 53.1 degrees for wide washes and individual pixel control for stunning eye candy effects
- 3.6° to 55° zoom range
- 12 zone pixel-mappable RGB LED outer ring under a stealth filter for added effect possibilities
- Incredibly bright! Almost 10,000 lumens!
- 16-bit dimming of master dimmer and individual colors for smooth control of fades
- Fully pixel mappable LEDs
- Built in LED macros with foreground and background control for easy generation of pixel effects
- Unique lens design for excellent color blending and tight beam effects
- Fast, smooth pan and tilt movement
- User selectable full output 7500 K calibrated white
- Selectable PWM settings for camera operation
- 6 distinct dimming modes for advanced control
- Simple and complex DMX channel profiles for programming versatility including dual mode operation.
- 5-pin DMX input/output connections
- RDM Enabled for remote addressing & trouble shooting
- Easy to read OLED display with simple, effective menu options
- USB-C port for convenient software uploads

Product Overview



Product Dimensions



3. Setup

AC Power

The Maverick Storm 2 BeamWash has an auto-ranging power supply and it can work with an input voltage range of 100 to 240 VAC, 50/60 Hz.

To determine the product's power requirements (circuit breaker, power outlet, and wiring), use the current value listed on the label affixed to the product's back panel, or refer to the product's specifications chart.

The listed current rating indicates the product's average current draw under normal conditions.



- **Always connect the product to a protected circuit (a circuit breaker or fuse). Make sure the product has an appropriate electrical ground to avoid the risk of electrocution or fire.**
- **To eliminate unnecessary wear and improve its lifespan, during periods of non-use completely disconnect the product from power via breaker or by unplugging it.**



Never connect the product to a rheostat (variable resistor) or dimmer circuit, even if the rheostat or dimmer channel serves only as a 0 to 100% switch.

AC Plug

The Maverick Storm 2 BeamWash comes with a power input cable terminated with a Seetronic Powerkon A connector on one end and an Edison plug on the other end (U.S. market). If the power input cable that came with the product has no plug, or if you need to change the plug, use the table below to wire the new plug.

Connection	Wire (U.S.)	Wire (Europe)	Screw Color
AC Live	Black	Brown	Yellow or Brass
AC Neutral	White	Blue	Silver
AC Ground	Green/Yellow	Green/Yellow	Green

Fuse Replacement

1. Disconnect this product from the power outlet.
2. Using a flat-head screwdriver, unscrew the fuse holder cap from the housing.
3. Remove the blown fuse and replace with another fuse of the same type and rating (F 20 A, 250 V).
4. Screw the fuse holder cap back in place and reconnect power.

Signal Connections

The Maverick Storm 2 BeamWash can receive a DMX, Art-Net™, sACN, or Kling-Net signal. The Maverick Storm 2 BeamWash has 2 Neutrik RJ45 through ports, and 5-pin DMX in and out ports. If using other compatible products with this product, each can be controlled individually with a single controller.

Control Personalities

The Maverick Storm 2 BeamWash uses a 5-pin DMX data connection, WDMX, Art-Net™, sACN, or Kling-Net for its control personalities:

Single Control	Dual Control Movement	Dual Control Pixels
Basic (31-channel)	Basic (11-channel)	Basic (93-channel)
Standard (143-channel)	Standard (34-channel)	Standard (112-channel)
Advanced (263-channel)	Advanced (45-channel)	Advanced (224-channel)
Tour (325-channel)		
Basic2 (37-channel)		
Busking (19-channel)		



In Dual Control mode, the Movement protocol and the Pixels protocol cannot be the same.

- Refer to the [Operation](#) chapter to learn how to configure the Maverick Storm 2 BeamWash to work in these personalities.
- The [Control Channel Assignments and Value](#) section provides detailed information regarding the control personalities.



If more information is needed about DMX standards or the DMX cables required to link this product to a DMX controller, download the DMX Primer from the Chauvet website: www.chauvetprofessional.com.

DMX Linking

You can link the Maverick Storm 2 BeamWash to a DMX controller using a 5-pin DMX connection or a WDMX connection. For more information about DMX, read the DMX primer at: https://www.chauvetprofessional.com/wp-content/uploads/2016/06/DMX_Primer.pdf.

Art-Net™ Connection

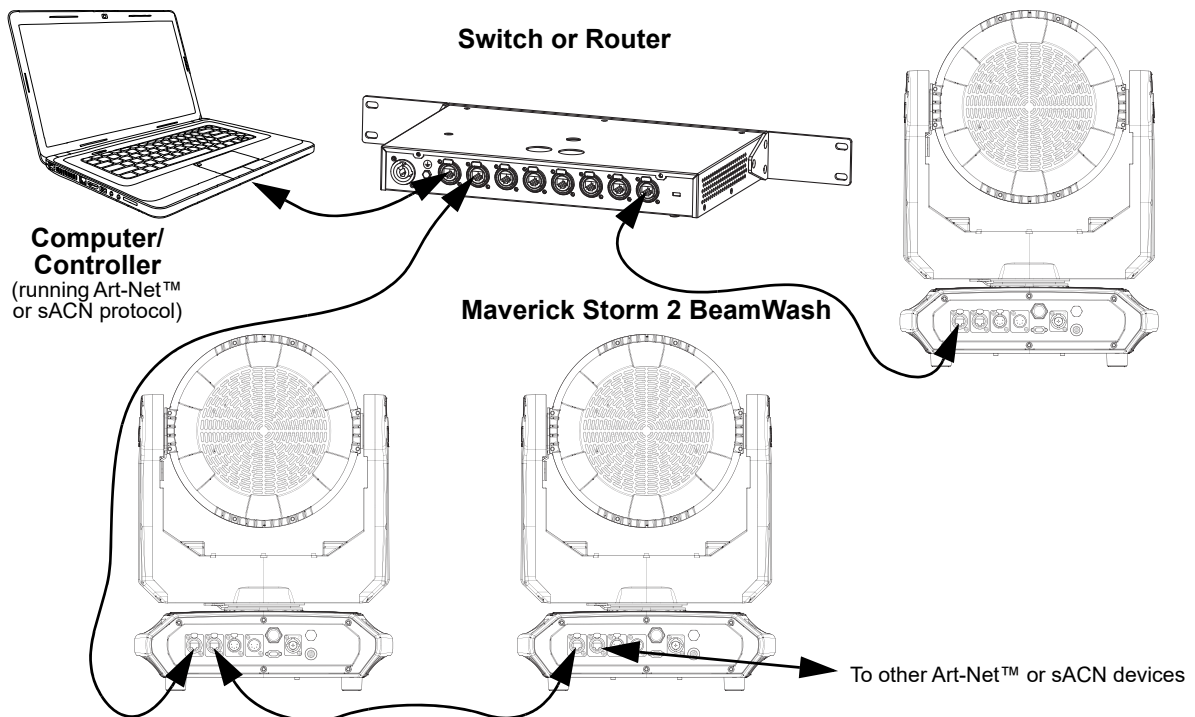
Art-Net™ is an Ethernet protocol that uses TCP/IP which transfers a large amount of DMX512 data using a Neutrik RJ45 connection over a large network. An Art-Net™ protocol document is available from www.chauvetprofessional.com.

Art-Net™ designed by and copyright Artistic Licence Holdings Ltd.

sACN Connection

Also known as ANSI E1.31, streaming ACN is an Ethernet protocol that uses the layering and formatting of Architecture for Control Networks to transport DMX512 data over IP or any other ACN compatible network.

Connection Diagram



The three LED indicators in between the ethernet through ports indicate a connection to a network and activity on that network. They do not indicate whether or not the Maverick Storm 2 BeamWash is receiving a signal from a controller.

Remote Device Management (RDM)

Remote Device Management, or RDM, is a standard for allowing DMX-enabled devices to communicate bi-directionally along existing DMX cabling. Check the DMX controller's User Manual or with the manufacturer as not all DMX controllers have this capability. The Maverick Storm 2 BeamWash supports RDM protocol that allows feedback to make changes to menu map options.

USB Software Update

The Maverick Storm 2 BeamWash allows for software update through USB using the built-in USB port. To update the software using USB flash drive, do the following:

1. Power on the fixture and plug the flash drive into the USB port.
2. Once the flash drive has been detected, the message "Upgrade Firmware" will be displayed. Press **<ENTER>**. If a different message appears on the display, search for the updated software in the **Menu (Updated Firmware)**. A list of the updated software files will be displayed.
3. Select the file that needs to be uploaded. The message "Are you sure?" will be displayed. Press **<ENTER>**.
4. If the selected file is correct, the upgrade will be completed. Restart the fixture. If the selected file is incorrect, the upgrade will fail, and the display will go back to the main interface. Repeat steps 1-3 using the correct file.

Setup

Mounting

Before mounting the product, read and follow the safety recommendations indicated in the Safety Notes. For our CHAUVET Professional line of mounting clamps, go to <http://trusst.com/products/>.

Orientation

Always mount this product in a safe position, making sure there is adequate room for ventilation, configuration, and maintenance.

Rigging

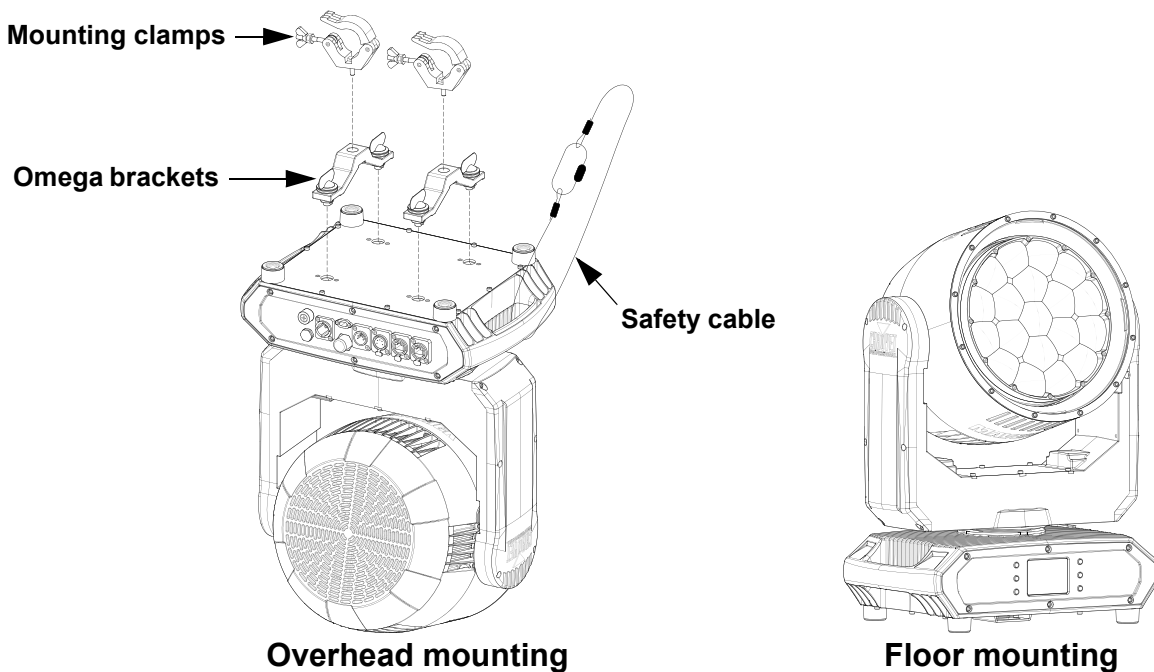
Chauvet recommends using the following general guidelines when mounting this product.

- Before deciding on a location for the product, make sure there is easy access to the product for maintenance and programming purposes.
- Make sure that the structure onto which you are mounting the product can support the product's weight. See the [Technical Specifications](#) for weight information.
- When mounting the product overhead, always use a safety cable. Mount the product securely to a rigging point, whether an elevated platform or a truss.
- When rigging the product onto a truss, use a mounting clamp of appropriate weight capacity.

Procedure







The Maverick Storm 2 BeamWash comes with a bracket to which you can attach a mounting clamp directly. Mounting clamps are sold separately. Make sure the clamps are capable of supporting the weight of this product. Use at least two mounting points per product. For the CHAUVET Professional line of mounting clamps, go to <http://www.trusst.com/products>.

Mounting Diagram



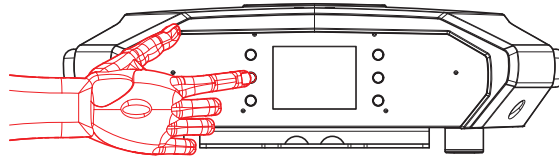
4. Operation

Control Panel Description

Button	Name	Function
	<UP>	Navigates upwards through the menu list or increases the numeric value when in a function
	<MENU>	Exits from the current menu or function
	<DOWN>	Navigates downwards through the menu list or decreases the numeric value when in a function
	<LEFT>	Navigates leftwards through the menu list
	<ENTER>	Enables the currently displayed menu or sets the currently selected value into the selected function
	<RIGHT>	Navigates rightwards through the menu list

Battery Powered Display

The Maverick Storm 2 BeamWash has a battery powered display which enables access to the menu when the product is powered off. Press and hold <MENU> until the display activates (approximately 15 seconds).



Home Screen

The Maverick Storm 2 BeamWash has a home screen that shows the current control protocols, personalities, starting addresses, IP addresses, and universes. To see the home screen, press <MENU> repeatedly until it shows on the display. From the home screen, press <ENTER> to reach the main menu.

Control Panel Lock

The setting locks or unlocks the control panel.

1. Go to the **Settings** main level.
2. Select the **Lock Screen** option.
3. Select **NO** (control panel stays unlocked) or **YES** (locks control panel).



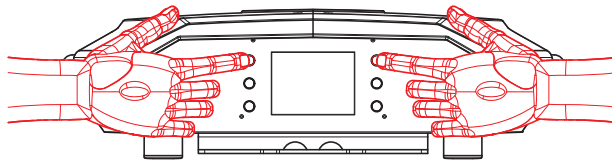
When the control panel lock is activated, the product will prompt for the passcode in order to access the menu. Enter the passcode as described below.

Passcode

After being prompted to enter the passcode, enter **0920**.

Technician Mode

The technician mode disables the pan and tilt motors, allowing the output of the product to be aimed by hand. To enable the technician mode of the Maverick Storm 2 BeamWash, hold <UP> and <LEFT> while the product is powering on. When the product is turned off and back on, the pan and tilt will return to normal function.



Menu Map

Refer to the Maverick Storm 2 BeamWash product page on www.chauvetprofessional.com for the latest menu map.

Programming Levels				Description	
Control Settings				Control Settings Main Level	
Control Settings	Single Control	DMX	Personality	Basic	Sets the DMX personality (see Control Personalities)
				Standard	
				Advanced	
				Tour	
				Basic2	
				Busking	
		Start Address	1–512	Sets the DMX starting address	
		ArtNet	Personality	Basic	Sets the Art-Net™ personality (see Control Personalities)
				Standard	
				Advanced	
	Tour				
	Basic2				
	Busking				
	Start Address	1–512	Sets the Art-Net™ address		
	Universe	0–255	Sets the Art-Net™ universe		
	sACN	Personality	Basic	Sets the sACN personality (see Control Personalities)	
			Standard		
			Advanced		
			Tour		
			Basic2		
Busking					
Start Address	1–512	Sets the sACN starting address			
Universe	1–256	Sets the sACN universe			
WDMX	Personality	Basic	Sets the WDMX personality (see Control Personalities)		
		Standard			
		Advanced			
		Tour			
		Basic2			
		Busking			
Start Address	1–512	Sets the WDMX address			
Dual Control	Movement	DMX	Personality	Basic	Sets the DMX personality (see Control Personalities)
				Standard	
				Advanced	
			Start Address	1–512	
		ArtNet	Personality	Basic	Sets the Art-Net™ personality (see Control Personalities)
				Standard	
				Advanced	
			Start Address	1–512	
Universe	0–255	Sets the Art-Net™ universe			

Programming Levels					Description	
Control Settings (cont.)	Dual Control (cont.)	Pixels	sACN	Personality	Basic	Sets the sACN personality (see Control Personalities)
					Standard	
					Advanced	
				Start Address	1–512	Sets the sACN starting address
			Universe	1–256	Sets the sACN universe	
			DMX	Personality	Basic	Sets the DMX personality (see Control Personalities)
					Standard	
					Advanced	
				Start Address	1–512	Sets the DMX starting address
			ArtNet	Personality	Basic	Sets the Art-Net™ personality (see Control Personalities)
					Standard	
					Advanced	
				Start Address	1–512	Sets the Art-Net™ address
			Universe	0–255	Sets the Art-Net™ universe	
			sACN	Personality	Basic	Sets the sACN personality (see Control Personalities)
					Standard	
					Advanced	
				Start Address	1–512	Sets the sACN address
Universe	1–256	Sets the sACN universe				
KlingNet	Personality	Basic	Sets the Kling-Net personality (see Control Personalities)			
		Standard				

Main Level	Programming Levels		Description	
Test Mode	Auto Test		Auto test all functions	
	Manual Test	Pan	000–255	Manually control and test all settings through the control panel
		Tilt		
		P/T Speed		
		Red1		
		Green1		
		Blue1		
		CTC1		
		Color1		
		Pattern1		
		LED Macro1		
		LED Ma. Speed1		
		LED Ma. Fade1		
		Background1		
		Background1 Dim		
		Dimmer1		
		Shutter1		
		Red2		
		Green2		
		Blue2		
		White2		
CTC2				
Color2				
Pattern2				

Main Level	Programming Levels		Description	
Test Mode (cont.)	Manual Test (cont.)	LED Macro2	000-255 Manually control and test all settings through the control panel	
		LED Ma. Speed2		
		LED Ma. Fade2		
		Background2		
		Background2 Dim		
		Dimmer2		
		Shutter2		
		Function		
		Zoom		
Setup	Network Setting	IP Mode	Manual	Manually set IP address
			DHCP	Network sets IP address
			Static	Product sets IP address
		Ip	-----	Sets IP address in Manual mode
	SubMask	-----	Sets Subnet Mask in Manual mode	
	Pan Reverse	NO		Normal pan
		YES		Reversed pan
	Tilt Reverse	NO		Normal tilt
		YES		Reversed tilt
	Zoom Reverse	NO		Normal Zoom
		YES		Reversed Zoom
	Screen Reverse	NO		Normal display
		YES		Inverted display
		AUTO		Automatic display orientation
	Pan Angle	540		540° pan range
		360		360° pan range
		180		180° pan range
	Tilt Angle	260		260° tilt range
		180		180° tilt range
		90		90° tilt range
	BL. O. P/T Move	NO		Do not black out while pan/tilt
		YES		Blackout while pan/tilt
	Swap XY	NO		Do not swap pan and tilt
		YES		Pan controls tilt, tilt controls pan
	Lock Screen	NO		Lock the display menu
		YES		Passcode: 0920
	WDMX Reset	NO		Do not reset WDMX
		YES		Reset WDMX
	Backlight Timer	30S		Display turns off after 30 seconds
		1M		Display turns off after 1 minute
		5M		Display turns off after 5 minutes
		ON		Display stays on
Loss of Data	Hold		Holds last signal received	
	Close		Blacks out fixture	

Main Level	Programming Levels		Description	
Setup (cont.)	Fans	Auto	Fan speed according to product temperature	
		Full	Fan speed set on high	
		ECO	Quiet mode	
	C Mixing Mode	RGBW	RGBW mode (additive)	
		CMY	CMY mode (subtractive)	
	Dimmer Curve	Linear	Set the dimmer curve	
		Square		
		I Squa		
		SCurve		
	Dimmer Speed	Smooth	Set the dimmer speed	
		Fast		
	PWM Option	600Hz	Sets the Pulse Width Modulation frequency	
		1200Hz		
		2000Hz		
		4000Hz		
		6000Hz		
		15000Hz		
	Color Balance	Red	100–255	Sets red LED maximum value
		Green		Sets green LED maximum value
		Blue		Sets blue LED maximum value
		White		Sets white LED maximum value
	Calibrated White	ON		Factory calibrated white balance
		OFF		Uncalibrated white balance
Custom		Custom white balance		
White Balance	Red	000–255	Sets values for custom white balance	
	Green			
	Blue			
	White			
Preset Select	Preset A		Recorded preset menu options	
	Preset B			
	Preset C			
Preset Sync	NO		Allows recorded preset menu options to be sent to other Maverick Storm 2 BeamWash products in the DMX daisy chain	
	YES			
USB Update	NO		Update firmware via USB C	
	YES			
Reset Function	Pan/Tilt	NO	Reset individual functions or all functions from start-up	
		YES		
	Zoom	NO		
		YES		
	All	NO		
		YES		
Factory Settings	NO		Reset to factory default settings	
	YES			

Main Level	Programming Levels		Description	
Sys Info	Fixture Information	Ver	V_ _ _ _ _	Shows firmware version
		Running Mode	_ _ _	Shows current running mode
		Address	_ _ _	Shows current starting address
		Temperature	_ _ _	Shows current product temperature in °C
		Fixture Hours	_ _ _ _ _	Shows number of hours product has been powered on
		Ip	_ . _ . _ .	Shows current IP address
		SubMask	_ . _ . _ .	Shows current Subnet Mask
		MAC	_ . _ . _ . _ .	Shows current MAC address
		LED Hours	_ _ _ _ _	Shows number of hours LEDs have been powered on
	Fan Information	DEFROST Fan1–2 Sp	_ _ _ _	Shows speed of fans in rpm
		Head Fan3–6 Speed	_ _ _ _	
		Base Fan1–2 Speed	_ _ _ _	
	Error Information	No Error!*		Shows any errors, or No Error!
	Channel Information	Frequency	_ _ _	Shows all current values from input signals, 000–255
		Pan		
		Pan Fine		
		Tilt		
		Tilt Fine		
		P/T Speed		
		CTC		
		CTC2		
		Color		
		Color2		
		Pattern		
		Pattern2		
		LED Macro		
		LED Ma. Speed		
LED Ma. Fade				
LED Macro2				
LED Ma. Speed2				
LED Ma. Fade2				
Background				
Background Dim.				
Bg. Dim. Fine				
Background2				
Background Dim. 2				
Bg. Dim. Fine2				
Dimmer				
Dimmer Fine				
Dimmer2				
Dimmer Fine2				
Shutter				
Shutter2				
Zoom				

Main Level	Programming Levels		Description
Sys Info (cont.)	Channel Information (cont.)	Function	--- Shows all current values from input signals, 000–255
		Red	
		Red Fine	
		Green	
		Green Fine	
		Blue	
		Blue Fine	
		White	
		White Fine	
		Dimmer 1–12	
		Dimmer 1–12 Fine	
		Red 1–12	
		Red 1–12 Fine	
		Green 1–12	
		Green 1–12 Fine	
		Blue 1–12	
		Blue 1–12 Fine	
		Dimmer 13–31	
		Dimmer 13–31 Fine	
		Red 13–31	
		Red 13–31 Fine	
		Green 13–31	
		Green 13–31 Fine	
		Blue 13–31	
Blue 13–31 Fine			
White 13–31			
White 13–31 Fine			

Configuration (Control Settings)

Use control configurations to operate the product with a DMX, WDMX, Art-Net™, sACN, or Kling-Net controller, or with a combination of two protocols.

Control Mode

The Maverick Storm 2 BeamWash can work with a single controller or with 2 controllers running 2 different control protocols. In Dual Control mode, one protocol controls the Movement, and the other protocol controls the Pixels.

Single Control mode works with wired DMX, WDMX, Art-Net™, and sACN control signals.

Dual Control Movement works with wired DMX, Art-Net™, and sACN control signals.

Dual Control Pixels works with wired DMX, Art-Net™, sACN, and Kling-Net control signals.

To set the control mode and the protocol(s):

1. Go to the **Control Settings** main level.
2. Select the desired control mode, from **Single Control** or **Dual Control**.
3. For **Dual Control**, select which mode to configure, from **Movement** or **Pixels**.
4. Select the desired protocol, from **DMX**, **ArtNet**, **sACN**, **WDMX** (Single Control only), or **KlingNet** (Dual Control Pixels only).



In Dual Control mode, the Movement protocol and the Pixels protocol cannot be the same.



- See the [WDMX Reset](#) section for further setup of WDMX.
- See the [Network Setup](#) section for further setup of ethernet protocols (Art-Net™ or sACN).

Operation

Control Personalities

To set the control personality:

1. Select the control mode and protocol as described under [Control Mode](#).
2. Select the **Personality** option.
3. Select the desired personality from:

Single Control	Dual Control Movement	Dual Control Pixels
Basic (31-channel)	Basic (11-channel)	Basic (93-channel)
Standard (143-channel)	Standard (34-channel)	Standard (112-channel)
Advanced (263-channel)	Advanced (45-channel)	Advanced (224-channel)
Tour (325-channel)		(Kling-Net will only function with Basic or Standard mode)
Basic2 (37-channel)		
Busking (19-channel)		



- See the [Starting Address](#) section for the highest recommended address for each personality.
- Make sure that the starting addresses on the various products do not overlap due to the new personality setting.

Starting Address

Each product and control mode will respond to a unique starting address from the controller. All products with the same starting address will respond in unison. To set the starting address:

1. Select the control mode and protocol as described under [Control Mode](#).
2. Select the **Start Address** option.
3. Select the starting address (1–512).

Control Mode	Personality	Channels	Highest Address
Single Control	Basic	31	482
	Standard	143	370
	Advanced	263	250
	Tour	325	188
	Basic2	37	476
	Busking	19	494
Dual Control Movement	Basic	11	502
	Standard	34	479
	Advanced	45	468
Dual Control Pixels	Basic	93	420
	Standard	112	401
	Advanced	224	289

Universe

The Art-Net™ and sACN control protocols require a universe address in addition to the starting address. To assign a universe to the control mode when using Art-Net™ or sACN:

1. Select the control mode and protocol as described under [Control Mode](#).
2. Select the **Universe** option.
3. Select the universe (0–255 for **ArtNet**, or 1–256 for **sACN**).

Network Setup

The Network Setup settings control the IP address and subnet mask of the product.

IP Mode

To choose how the IP address is set:

1. Go to the **Setup** main level.
2. Select the **Network Setting** option.
3. Select the **IP Mode** option.
4. Select the desired IP mode, from **Manual** (to set a custom IP address), **DHCP** (the IP address is assigned by the connected network), or **Static** (the product uses a default, preset IP address).

Manual IP Address

To set the IP address when the **IP Mode** is set to **Manual**:

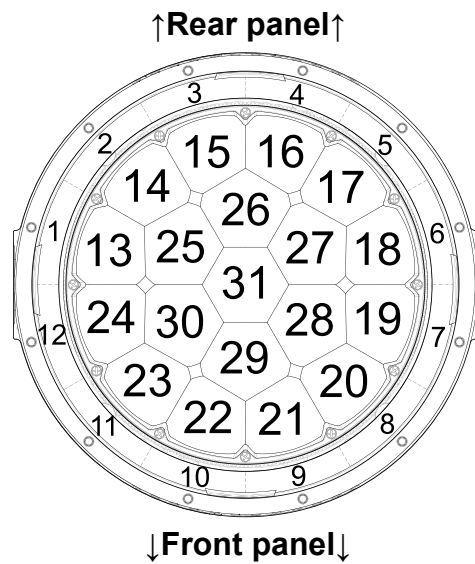
1. Go to the **Setup** main level.
2. Select the **Network Setting** option.
3. Select the **Ip** option.
4. Set the 4 values of the IP address from **000–255**.

Subnet Mask

To set the subnet mask:

1. Go to the **Setup** main level.
2. Select the **Network Setting** option.
3. Select the **SubMask** option.
4. Set the 4 values of the subnet mask from **000–255**.

Control Channel Assignments and Value Pixel Chart



Operation

Single Control Mode

B = Basic (31 channels), **S** = Standard (143), **A** = Advanced (263), **T** = Tour (325), **B2** = Basic2 (37), **Bk** = Busking (19)

B	S	A	T	B2	Bk	Function	Value	Percent/Setting
1	1	1	1	1	1	Pan	000 ⇔ 255	0–100%
2	2	2	2	2	–	Fine pan	000 ⇔ 255	0–100%
3	3	3	3	3	2	Tilt	000 ⇔ 255	0–100%
4	4	4	4	4	–	Fine tilt	000 ⇔ 255	0–100%
5	5	5	5	5	3	Pan/tilt speed	000 ⇔ 255	Pan/tilt speed, fast to slow
–	–	–	–	–	4	Ring dimmer	000 ⇔ 255	0–100%
–	–	–	–	–	5	Ring strobe	000 ⇔ 255	See the Strobe Chart
–	–	–	–	–	6	Red	000 ⇔ 255	0–100%
–	–	–	–	–	7	Green	000 ⇔ 255	0–100%
–	–	–	–	–	8	Blue	000 ⇔ 255	0–100%
–	–	–	–	–	9	White	000 ⇔ 255	0–100%
6	6	6	6	6	–	Ring CTC	000 001 ⇔ 255	No function Color temperature correction, 19000K to 2700K
7	7	7	7	7	–	Main CTC	000 001 ⇔ 255	No function Color temperature correction, 19000K to 2700K
8	8	8	8	8	10	Ring foreground color	000 ⇔ 255	See the Color Chart
9	9	9	9	9	–	Main foreground color	000 ⇔ 255	See the Color Chart
10	10	10	10	10	–	Ring gobo	000 ⇔ 004 005 ⇔ 255	No function Gobos (indexed)
11	11	11	11	11	–	Main gobo	000 001 ⇔ 255	No function Gobos (indexed)
12	12	12	12	12	11	Ring LED macro/ Automatic program	000 ⇔ 005 006 ⇔ 115 116 ⇔ 215 216 ⇔ 255	No function LED macros Automatic programs No function
13	13	13	13	13	12	Ring macro/program speed	000 ⇔ 127 128 129 ⇔ 255	Macro/program speed, fast to slow Stop Reverse macro/program, slow to fast
14	14	14	14	14	–	Ring LED delay	000 ⇔ 255	Built-in LED delay, short to long
15	15	15	15	15	–	Main LED macro/ Automatic program	000 ⇔ 015 016 ⇔ 135 136 ⇔ 255	No function LED macros Automatic programs
16	16	16	16	16	–	Main macro/program speed	000 ⇔ 127 128 129 ⇔ 255	Macro/program speed, fast to slow Stop Reverse macro/program, slow to fast
17	17	17	17	17	–	Main LED delay	000 ⇔ 255	Built-in LED delay, short to long
18	18	18	18	18	–	Ring background color	000 ⇔ 255	See the Color Chart
19	19	19	19	19	–	Ring bg. dimmer	000 ⇔ 255	0–100%
–	–	20	20	–	–	Ring bg. fine dimmer	000 ⇔ 255	0–100%
20	20	21	21	20	–	Main background color	000 ⇔ 255	See the Color Chart
21	21	22	22	21	–	Main bg. dimmer	000 ⇔ 255	0–100%
–	–	23	23	–	–	Main bg. fine dimmer	000 ⇔ 255	0–100%
22	22	24	24	22	–	Ring fg. dimmer	000 ⇔ 255	0–100%

B	S	A	T	B2	Bk	Function	Value	Percent/Setting
-	-	25	25	23	-	Ring fg. fine dimmer	000 ⇔ 255	0–100%
23	23	26	26	24	13	Main fg. dimmer	000 ⇔ 255	0–100%
-	-	27	27	25	-	Main fg. fine dimmer	000 ⇔ 255	0–100%
24	24	28	28	26	-	Ring strobe	000 ⇔ 255	See the Strobe Chart
25	25	29	29	27	14	Main strobe	000 ⇔ 255	See the Strobe Chart
-	-	-	-	-	15	Main foreground color	000 ⇔ 255	See the Color Chart
-	-	-	-	-	16	Main LED macro/ Automatic program	000 ⇔ 015 016 ⇔ 135 136 ⇔ 255	No function LED macros Automatic programs
-	-	-	-	-	17	Main macro/program speed	000 ⇔ 127 128 129 ⇔ 255	Macro/program speed, fast to slow Stop Reverse macro/program, slow to fast
26	26	30	30	28	18	Zoom	000 ⇔ 255	Zoom, narrow to wide
27	27	31	31	29	19	Control	000 ⇔ 255	See the Control Chart
28	28	32	32	30	-	All foreground red	000 ⇔ 255	0–100%
-	-	33	33	31	-	All fg. fine red	000 ⇔ 255	0–100%
29	29	34	34	32	-	All foreground green	000 ⇔ 255	0–100%
-	-	35	35	33	-	All fg. fine green	000 ⇔ 255	0–100%
30	30	36	36	34	-	All foreground blue	000 ⇔ 255	0–100%
-	-	37	37	35	-	All fg. fine blue	000 ⇔ 255	0–100%
31	31	38	38	36	-	All foreground white	000 ⇔ 255	0–100%
-	-	39	39	37	-	All fg. fine white	000 ⇔ 255	0–100%
-	-	-	40	-	-	Dimmer 1	000 ⇔ 255	0–100%
-	-	-	41	-	-	Fine dimmer 1	000 ⇔ 255	0–100%
-	32	40	42	-	-	Red 1	000 ⇔ 255	0–100%
-	-	41	43	-	-	Fine red 1	000 ⇔ 255	0–100%
-	33	42	44	-	-	Green 1	000 ⇔ 255	0–100%
-	-	43	45	-	-	Fine green 1	000 ⇔ 255	0–100%
-	34	44	46	-	-	Blue 1	000 ⇔ 255	0–100%
-	-	45	47	-	-	Fine blue 1	000 ⇔ 255	0–100%
-	-	-	48	-	-	Dimmer 2	000 ⇔ 255	0–100%
-	-	-	49	-	-	Fine dimmer 2	000 ⇔ 255	0–100%
-	35	46	50	-	-	Red 2	000 ⇔ 255	0–100%
-	-	47	51	-	-	Fine red 2	000 ⇔ 255	0–100%
-	36	48	52	-	-	Green 2	000 ⇔ 255	0–100%
-	-	49	53	-	-	Fine green 2	000 ⇔ 255	0–100%
-	37	50	54	-	-	Blue 2	000 ⇔ 255	0–100%
-	-	51	55	-	-	Fine blue 2	000 ⇔ 255	0–100%
-	-	-	56	-	-	Dimmer 3	000 ⇔ 255	0–100%
-	-	-	57	-	-	Fine dimmer 3	000 ⇔ 255	0–100%
-	38	52	58	-	-	Red 3	000 ⇔ 255	0–100%
-	-	53	59	-	-	Fine red 3	000 ⇔ 255	0–100%
-	39	54	60	-	-	Green 3	000 ⇔ 255	0–100%
-	-	55	61	-	-	Fine green 3	000 ⇔ 255	0–100%
-	40	56	62	-	-	Blue 3	000 ⇔ 255	0–100%
-	-	57	63	-	-	Fine blue 3	000 ⇔ 255	0–100%
-	-	-	64	-	-	Dimmer 4	000 ⇔ 255	0–100%

Operation

B	S	A	T	B2	Bk	Function	Value	Percent/Setting
-	-	-	65	-	-	Fine dimmer 4	000 ⇔ 255	0-100%
-	41	58	66	-	-	Red 4	000 ⇔ 255	0-100%
-	-	59	67	-	-	Fine red 4	000 ⇔ 255	0-100%
-	42	60	68	-	-	Green 4	000 ⇔ 255	0-100%
-	-	61	69	-	-	Fine green 4	000 ⇔ 255	0-100%
-	43	62	70	-	-	Blue 4	000 ⇔ 255	0-100%
-	-	63	71	-	-	Fine blue 4	000 ⇔ 255	0-100%
-	-	-	72	-	-	Dimmer 5	000 ⇔ 255	0-100%
-	-	-	73	-	-	Fine dimmer 5	000 ⇔ 255	0-100%
-	44	64	74	-	-	Red 5	000 ⇔ 255	0-100%
-	-	65	75	-	-	Fine red 5	000 ⇔ 255	0-100%
-	45	66	76	-	-	Green 5	000 ⇔ 255	0-100%
-	-	67	77	-	-	Fine green 5	000 ⇔ 255	0-100%
-	46	68	78	-	-	Blue 5	000 ⇔ 255	0-100%
-	-	69	79	-	-	Fine blue 5	000 ⇔ 255	0-100%
-	-	-	80	-	-	Dimmer 6	000 ⇔ 255	0-100%
-	-	-	81	-	-	Fine dimmer 6	000 ⇔ 255	0-100%
-	47	70	82	-	-	Red 6	000 ⇔ 255	0-100%
-	-	71	83	-	-	Fine red 6	000 ⇔ 255	0-100%
-	48	72	84	-	-	Green 6	000 ⇔ 255	0-100%
-	-	73	85	-	-	Fine green 6	000 ⇔ 255	0-100%
-	49	74	86	-	-	Blue 6	000 ⇔ 255	0-100%
-	-	75	87	-	-	Fine blue 6	000 ⇔ 255	0-100%
-	-	-	88	-	-	Dimmer 7	000 ⇔ 255	0-100%
-	-	-	89	-	-	Fine dimmer 7	000 ⇔ 255	0-100%
-	50	76	90	-	-	Red 7	000 ⇔ 255	0-100%
-	-	77	91	-	-	Fine red 7	000 ⇔ 255	0-100%
-	51	78	92	-	-	Green 7	000 ⇔ 255	0-100%
-	-	79	93	-	-	Fine green 7	000 ⇔ 255	0-100%
-	52	80	94	-	-	Blue 7	000 ⇔ 255	0-100%
-	-	81	95	-	-	Fine blue 7	000 ⇔ 255	0-100%
-	-	-	96	-	-	Dimmer 8	000 ⇔ 255	0-100%
-	-	-	97	-	-	Fine dimmer 8	000 ⇔ 255	0-100%
-	53	82	98	-	-	Red 8	000 ⇔ 255	0-100%
-	-	83	99	-	-	Fine red 8	000 ⇔ 255	0-100%
-	54	84	100	-	-	Green 8	000 ⇔ 255	0-100%
-	-	85	101	-	-	Fine green 8	000 ⇔ 255	0-100%
-	55	86	102	-	-	Blue 8	000 ⇔ 255	0-100%
-	-	87	103	-	-	Fine blue 8	000 ⇔ 255	0-100%
-	-	-	104	-	-	Dimmer 9	000 ⇔ 255	0-100%
-	-	-	105	-	-	Fine dimmer 9	000 ⇔ 255	0-100%
-	56	88	106	-	-	Red 9	000 ⇔ 255	0-100%
-	-	89	107	-	-	Fine red 9	000 ⇔ 255	0-100%
-	57	90	108	-	-	Green 9	000 ⇔ 255	0-100%
-	-	91	109	-	-	Fine green 9	000 ⇔ 255	0-100%
-	58	92	110	-	-	Blue 9	000 ⇔ 255	0-100%
-	-	93	111	-	-	Fine blue 9	000 ⇔ 255	0-100%

B	S	A	T	B2	Bk	Function	Value	Percent/Setting
-	-	-	112	-	-	Dimmer 10	000 ⇔ 255	0-100%
-	-	-	113	-	-	Fine dimmer 10	000 ⇔ 255	0-100%
-	59	94	114	-	-	Red 10	000 ⇔ 255	0-100%
-	-	95	115	-	-	Fine red 10	000 ⇔ 255	0-100%
-	60	96	116	-	-	Green 10	000 ⇔ 255	0-100%
-	-	97	117	-	-	Fine green 10	000 ⇔ 255	0-100%
-	61	98	118	-	-	Blue 10	000 ⇔ 255	0-100%
-	-	99	119	-	-	Fine blue 10	000 ⇔ 255	0-100%
-	-	-	120	-	-	Dimmer 11	000 ⇔ 255	0-100%
-	-	-	121	-	-	Fine dimmer 11	000 ⇔ 255	0-100%
-	62	100	122	-	-	Red 11	000 ⇔ 255	0-100%
-	-	101	123	-	-	Fine red 11	000 ⇔ 255	0-100%
-	63	102	124	-	-	Green 1	000 ⇔ 255	0-100%
-	-	103	125	-	-	Fine green 11	000 ⇔ 255	0-100%
-	64	104	126	-	-	Blue 11	000 ⇔ 255	0-100%
-	-	105	127	-	-	Fine blue 11	000 ⇔ 255	0-100%
-	-	-	128	-	-	Dimmer 12	000 ⇔ 255	0-100%
-	-	-	129	-	-	Fine dimmer 12	000 ⇔ 255	0-100%
-	65	106	130	-	-	Red 12	000 ⇔ 255	0-100%
-	-	107	131	-	-	Fine red 12	000 ⇔ 255	0-100%
-	66	108	132	-	-	Green 12	000 ⇔ 255	0-100%
-	-	109	133	-	-	Fine green 12	000 ⇔ 255	0-100%
-	67	110	134	-	-	Blue 12	000 ⇔ 255	0-100%
-	-	111	135	-	-	Fine blue 12	000 ⇔ 255	0-100%
-	-	-	136	-	-	Dimmer 13	000 ⇔ 255	0-100%
-	-	-	137	-	-	Fine dimmer 13	000 ⇔ 255	0-100%
-	68	112	138	-	-	Red 13	000 ⇔ 255	0-100%
-	-	113	139	-	-	Fine red 13	000 ⇔ 255	0-100%
-	69	114	140	-	-	Green 13	000 ⇔ 255	0-100%
-	-	115	141	-	-	Fine green 13	000 ⇔ 255	0-100%
-	70	116	142	-	-	Blue 13	000 ⇔ 255	0-100%
-	-	117	143	-	-	Fine blue 13	000 ⇔ 255	0-100%
-	71	118	144	-	-	White 13	000 ⇔ 255	0-100%
-	-	119	145	-	-	Fine white 13	000 ⇔ 255	0-100%
-	-	-	146	-	-	Dimmer 14	000 ⇔ 255	0-100%
-	-	-	147	-	-	Fine dimmer 14	000 ⇔ 255	0-100%
-	72	120	148	-	-	Red 14	000 ⇔ 255	0-100%
-	-	121	149	-	-	Fine red 14	000 ⇔ 255	0-100%
-	73	122	150	-	-	Green 14	000 ⇔ 255	0-100%
-	-	123	151	-	-	Fine green 14	000 ⇔ 255	0-100%
-	74	124	152	-	-	Blue 14	000 ⇔ 255	0-100%
-	-	125	153	-	-	Fine blue 14	000 ⇔ 255	0-100%
-	75	126	154	-	-	White 14	000 ⇔ 255	0-100%
-	-	127	155	-	-	Fine white 14	000 ⇔ 255	0-100%
-	-	-	156	-	-	Dimmer 15	000 ⇔ 255	0-100%
-	-	-	157	-	-	Fine dimmer 15	000 ⇔ 255	0-100%
-	76	128	158	-	-	Red 15	000 ⇔ 255	0-100%

Operation

B	S	A	T	B2	Bk	Function	Value	Percent/Setting
-	-	129	159	-	-	Fine red 15	000 ⇔ 255	0-100%
-	77	130	160	-	-	Green 15	000 ⇔ 255	0-100%
-	-	131	161	-	-	Fine green 15	000 ⇔ 255	0-100%
-	78	132	162	-	-	Blue 15	000 ⇔ 255	0-100%
-	-	133	163	-	-	Fine blue 15	000 ⇔ 255	0-100%
-	79	134	164	-	-	White 15	000 ⇔ 255	0-100%
-	-	135	165	-	-	Fine white 15	000 ⇔ 255	0-100%
-	-	-	166	-	-	Dimmer 16	000 ⇔ 255	0-100%
-	-	-	167	-	-	Fine dimmer 16	000 ⇔ 255	0-100%
-	80	136	168	-	-	Red 16	000 ⇔ 255	0-100%
-	-	137	169	-	-	Fine red 16	000 ⇔ 255	0-100%
-	81	138	170	-	-	Green 16	000 ⇔ 255	0-100%
-	-	139	171	-	-	Fine green 16	000 ⇔ 255	0-100%
-	82	140	172	-	-	Blue 16	000 ⇔ 255	0-100%
-	-	141	173	-	-	Fine blue 16	000 ⇔ 255	0-100%
-	83	142	174	-	-	White 16	000 ⇔ 255	0-100%
-	-	143	175	-	-	Fine white 16	000 ⇔ 255	0-100%
-	-	-	176	-	-	Dimmer 17	000 ⇔ 255	0-100%
-	-	-	177	-	-	Fine dimmer 17	000 ⇔ 255	0-100%
-	84	144	178	-	-	Red 17	000 ⇔ 255	0-100%
-	-	145	179	-	-	Fine red 17	000 ⇔ 255	0-100%
-	85	146	180	-	-	Green 17	000 ⇔ 255	0-100%
-	-	147	181	-	-	Fine green 17	000 ⇔ 255	0-100%
-	86	148	182	-	-	Blue 17	000 ⇔ 255	0-100%
-	-	149	183	-	-	Fine blue 17	000 ⇔ 255	0-100%
-	87	150	184	-	-	White 17	000 ⇔ 255	0-100%
-	-	151	185	-	-	Fine white 17	000 ⇔ 255	0-100%
-	-	-	186	-	-	Dimmer 18	000 ⇔ 255	0-100%
-	-	-	187	-	-	Fine dimmer 18	000 ⇔ 255	0-100%
-	88	152	188	-	-	Red 18	000 ⇔ 255	0-100%
-	-	153	189	-	-	Fine red 18	000 ⇔ 255	0-100%
-	89	154	190	-	-	Green 18	000 ⇔ 255	0-100%
-	-	155	191	-	-	Fine green 18	000 ⇔ 255	0-100%
-	90	156	192	-	-	Blue 18	000 ⇔ 255	0-100%
-	-	157	193	-	-	Fine blue 18	000 ⇔ 255	0-100%
-	91	158	194	-	-	White 18	000 ⇔ 255	0-100%
-	-	159	195	-	-	Fine white 18	000 ⇔ 255	0-100%
-	-	-	196	-	-	Dimmer 19	000 ⇔ 255	0-100%
-	-	-	197	-	-	Fine dimmer 19	000 ⇔ 255	0-100%
-	92	160	198	-	-	Red 19	000 ⇔ 255	0-100%
-	-	161	199	-	-	Fine red 19	000 ⇔ 255	0-100%
-	93	162	200	-	-	Green 19	000 ⇔ 255	0-100%
-	-	163	201	-	-	Fine green 19	000 ⇔ 255	0-100%
-	94	164	202	-	-	Blue 19	000 ⇔ 255	0-100%
-	-	165	203	-	-	Fine blue 19	000 ⇔ 255	0-100%
-	95	166	204	-	-	White 19	000 ⇔ 255	0-100%
-	-	167	205	-	-	Fine white 19	000 ⇔ 255	0-100%

B	S	A	T	B2	Bk	Function	Value	Percent/Setting
-	-	-	206	-	-	Dimmer 20	000 ⇔ 255	0-100%
-	-	-	207	-	-	Fine dimmer 20	000 ⇔ 255	0-100%
-	96	168	208	-	-	Red 20	000 ⇔ 255	0-100%
-	-	169	209	-	-	Fine red 20	000 ⇔ 255	0-100%
-	97	170	210	-	-	Green 20	000 ⇔ 255	0-100%
-	-	171	211	-	-	Fine green 20	000 ⇔ 255	0-100%
-	98	172	212	-	-	Blue 20	000 ⇔ 255	0-100%
-	-	173	213	-	-	Fine blue 20	000 ⇔ 255	0-100%
-	99	174	214	-	-	White 20	000 ⇔ 255	0-100%
-	-	175	215	-	-	Fine white 20	000 ⇔ 255	0-100%
-	-	-	216	-	-	Dimmer 21	000 ⇔ 255	0-100%
-	-	-	217	-	-	Fine dimmer 21	000 ⇔ 255	0-100%
-	100	176	218	-	-	Red 21	000 ⇔ 255	0-100%
-	-	177	219	-	-	Fine red 21	000 ⇔ 255	0-100%
-	101	178	220	-	-	Green 21	000 ⇔ 255	0-100%
-	-	179	221	-	-	Fine green 21	000 ⇔ 255	0-100%
-	102	180	222	-	-	Blue 21	000 ⇔ 255	0-100%
-	-	181	223	-	-	Fine blue 21	000 ⇔ 255	0-100%
-	103	182	224	-	-	White 21	000 ⇔ 255	0-100%
-	-	183	225	-	-	Fine white 21	000 ⇔ 255	0-100%
-	-	-	226	-	-	Dimmer 22	000 ⇔ 255	0-100%
-	-	-	227	-	-	Fine dimmer 22	000 ⇔ 255	0-100%
-	104	184	228	-	-	Red 22	000 ⇔ 255	0-100%
-	-	185	229	-	-	Fine red 22	000 ⇔ 255	0-100%
-	105	186	230	-	-	Green 22	000 ⇔ 255	0-100%
-	-	187	231	-	-	Fine green 22	000 ⇔ 255	0-100%
-	106	188	232	-	-	Blue 22	000 ⇔ 255	0-100%
-	-	189	233	-	-	Fine blue 22	000 ⇔ 255	0-100%
-	107	190	234	-	-	White 22	000 ⇔ 255	0-100%
-	-	191	235	-	-	Fine white 22	000 ⇔ 255	0-100%
-	-	-	236	-	-	Dimmer 23	000 ⇔ 255	0-100%
-	-	-	237	-	-	Fine dimmer 23	000 ⇔ 255	0-100%
-	108	192	238	-	-	Red 23	000 ⇔ 255	0-100%
-	-	193	239	-	-	Fine red 23	000 ⇔ 255	0-100%
-	109	194	240	-	-	Green 23	000 ⇔ 255	0-100%
-	-	195	241	-	-	Fine green 23	000 ⇔ 255	0-100%
-	110	196	242	-	-	Blue 23	000 ⇔ 255	0-100%
-	-	197	243	-	-	Fine blue 23	000 ⇔ 255	0-100%
-	111	198	244	-	-	White 23	000 ⇔ 255	0-100%
-	-	199	245	-	-	Fine white 23	000 ⇔ 255	0-100%
-	-	-	246	-	-	Dimmer 24	000 ⇔ 255	0-100%
-	-	-	247	-	-	Fine dimmer 24	000 ⇔ 255	0-100%
-	112	200	248	-	-	Red 24	000 ⇔ 255	0-100%
-	-	201	249	-	-	Fine red 24	000 ⇔ 255	0-100%
-	113	202	250	-	-	Green 24	000 ⇔ 255	0-100%
-	-	203	251	-	-	Fine green 24	000 ⇔ 255	0-100%
-	114	204	252	-	-	Blue 24	000 ⇔ 255	0-100%

Operation

B	S	A	T	B2	Bk	Function	Value	Percent/Setting
-	-	205	253	-	-	Fine blue 24	000 ⇔ 255	0-100%
-	115	206	254	-	-	White 24	000 ⇔ 255	0-100%
-	-	207	255	-	-	Fine white 24	000 ⇔ 255	0-100%
-	-	-	256	-	-	Dimmer 25	000 ⇔ 255	0-100%
-	-	-	257	-	-	Fine dimmer 25	000 ⇔ 255	0-100%
-	116	208	258	-	-	Red 25	000 ⇔ 255	0-100%
-	-	209	259	-	-	Fine red 25	000 ⇔ 255	0-100%
-	117	210	260	-	-	Green 25	000 ⇔ 255	0-100%
-	-	211	261	-	-	Fine green 25	000 ⇔ 255	0-100%
-	118	212	262	-	-	Blue 25	000 ⇔ 255	0-100%
-	-	213	263	-	-	Fine blue 25	000 ⇔ 255	0-100%
-	119	214	264	-	-	White 25	000 ⇔ 255	0-100%
-	-	215	265	-	-	Fine white 25	000 ⇔ 255	0-100%
-	-	-	266	-	-	Dimmer 26	000 ⇔ 255	0-100%
-	-	-	267	-	-	Fine dimmer 26	000 ⇔ 255	0-100%
-	120	216	268	-	-	Red 26	000 ⇔ 255	0-100%
-	-	217	269	-	-	Fine red 26	000 ⇔ 255	0-100%
-	121	218	270	-	-	Green 26	000 ⇔ 255	0-100%
-	-	219	271	-	-	Fine green 26	000 ⇔ 255	0-100%
-	122	220	272	-	-	Blue 26	000 ⇔ 255	0-100%
-	-	221	273	-	-	Fine blue 26	000 ⇔ 255	0-100%
-	123	222	274	-	-	White 26	000 ⇔ 255	0-100%
-	-	223	275	-	-	Fine white 26	000 ⇔ 255	0-100%
-	-	-	276	-	-	Dimmer 27	000 ⇔ 255	0-100%
-	-	-	277	-	-	Fine dimmer 27	000 ⇔ 255	0-100%
-	124	224	278	-	-	Red 27	000 ⇔ 255	0-100%
-	-	225	279	-	-	Fine red 27	000 ⇔ 255	0-100%
-	125	226	280	-	-	Green 27	000 ⇔ 255	0-100%
-	-	227	281	-	-	Fine green 27	000 ⇔ 255	0-100%
-	126	228	282	-	-	Blue 27	000 ⇔ 255	0-100%
-	-	229	283	-	-	Fine blue 27	000 ⇔ 255	0-100%
-	127	230	284	-	-	White 27	000 ⇔ 255	0-100%
-	-	231	285	-	-	Fine white 27	000 ⇔ 255	0-100%
-	-	-	286	-	-	Dimmer 28	000 ⇔ 255	0-100%
-	-	-	287	-	-	Fine dimmer 28	000 ⇔ 255	0-100%
-	128	232	288	-	-	Red 28	000 ⇔ 255	0-100%
-	-	233	289	-	-	Fine red 28	000 ⇔ 255	0-100%
-	129	234	290	-	-	Green 28	000 ⇔ 255	0-100%
-	-	235	291	-	-	Fine green 28	000 ⇔ 255	0-100%
-	130	236	292	-	-	Blue 28	000 ⇔ 255	0-100%
-	-	237	293	-	-	Fine blue 28	000 ⇔ 255	0-100%
-	131	238	294	-	-	White 28	000 ⇔ 255	0-100%
-	-	239	295	-	-	Fine white 28	000 ⇔ 255	0-100%
-	-	-	296	-	-	Dimmer 29	000 ⇔ 255	0-100%
-	-	-	297	-	-	Fine dimmer 29	000 ⇔ 255	0-100%
-	132	240	298	-	-	Red 29	000 ⇔ 255	0-100%
-	-	241	299	-	-	Fine red 29	000 ⇔ 255	0-100%

B	S	A	T	B2	Bk	Function	Value	Percent/Setting
-	133	242	300	-	-	Green 29	000 ⇔ 255	0-100%
-	-	243	301	-	-	Fine green 29	000 ⇔ 255	0-100%
-	134	244	302	-	-	Blue 29	000 ⇔ 255	0-100%
-	-	245	303	-	-	Fine blue 29	000 ⇔ 255	0-100%
-	135	246	304	-	-	White 29	000 ⇔ 255	0-100%
-	-	247	305	-	-	Fine white 29	000 ⇔ 255	0-100%
-	-	-	306	-	-	Dimmer 30	000 ⇔ 255	0-100%
-	-	-	307	-	-	Fine dimmer 30	000 ⇔ 255	0-100%
-	136	248	308	-	-	Red 30	000 ⇔ 255	0-100%
-	-	249	309	-	-	Fine red 30	000 ⇔ 255	0-100%
-	137	250	310	-	-	Green 30	000 ⇔ 255	0-100%
-	-	251	311	-	-	Fine green 30	000 ⇔ 255	0-100%
-	138	252	312	-	-	Blue 30	000 ⇔ 255	0-100%
-	-	253	313	-	-	Fine blue 30	000 ⇔ 255	0-100%
-	139	254	314	-	-	White 30	000 ⇔ 255	0-100%
-	-	255	315	-	-	Fine white 30	000 ⇔ 255	0-100%
-	-	-	316	-	-	Dimmer 31	000 ⇔ 255	0-100%
-	-	-	317	-	-	Fine dimmer 31	000 ⇔ 255	0-100%
-	140	256	318	-	-	Red 31	000 ⇔ 255	0-100%
-	-	257	319	-	-	Fine red 31	000 ⇔ 255	0-100%
-	141	258	320	-	-	Green 31	000 ⇔ 255	0-100%
-	-	259	321	-	-	Fine green 31	000 ⇔ 255	0-100%
-	142	260	322	-	-	Blue 31	000 ⇔ 255	0-100%
-	-	261	323	-	-	Fine blue 31	000 ⇔ 255	0-100%
-	143	262	324	-	-	White 31	000 ⇔ 255	0-100%
-	-	263	325	-	-	Fine white 31	000 ⇔ 255	0-100%

Operation

Dual Control Mode (Movement)

B = Basic (11 channels), **S** = Standard (34 channels), **A** = Advanced (45 channels)

B	S	A	Function	Value	Percent/Setting
1	1	1	Pan	000 ⇄ 255	0–100%
2	2	2	Fine pan	000 ⇄ 255	0–100%
3	3	3	Tilt	000 ⇄ 255	0–100%
4	4	4	Fine tilt	000 ⇄ 255	0–100%
5	5	5	Pan/tilt speed	000 ⇄ 255	Pan/tilt speed, fast to slow
–	6	6	Ring CTC	000 001 ⇄ 255	No function Color temperature correction, 19000K to 2700K
–	7	7	Main CTC	000 001 ⇄ 255	No function Color temperature correction, 19000K to 2700K
–	8	8	Ring foreground color	000 ⇄ 255	See the Color Chart
–	9	9	Main foreground color	000 ⇄ 255	See the Color Chart
–	10	10	Ring gobo	000 ⇄ 004 005 ⇄ 255	No function Gobos (indexed)
–	11	11	Main gobo	000 001 ⇄ 255	No function Gobos (indexed)
–	12	12	Ring LED macro/ Automatic program	000 ⇄ 005 006 ⇄ 115 116 ⇄ 215 216 ⇄ 255	No function LED macros Automatic programs No function
–	13	13	Ring macro/program speed	000 ⇄ 127 128 129 ⇄ 255	LED macro/automatic program speed, fast to slow Stop Reverse macro/program, slow to fast
–	14	14	Ring LED delay	000 ⇄ 255	Built-in LED delay, short to long
–	15	15	Main LED macro/ Automatic program	000 ⇄ 015 016 ⇄ 135 136 ⇄ 255	No function LED macros Automatic programs
–	16	16	Main macro/program speed	000 ⇄ 127 128 129 ⇄ 255	LED macro/automatic program speed, fast to slow Stop Reverse macro/program, slow to fast
–	17	17	Main LED delay	000 ⇄ 255	Built-in LED delay, short to long
–	18	18	Ring background color	000 ⇄ 255	See the Color Chart
–	19	19	Ring bg. dimmer	000 ⇄ 255	0–100%
–	–	20	Ring bg. fine dimmer	000 ⇄ 255	0–100%
–	20	21	Main background color	000 ⇄ 255	See the Color Chart
–	21	22	Main bg. dimmer	000 ⇄ 255	0–100%
–	–	23	Main bg. fine dimmer	000 ⇄ 255	0–100%
6	22	24	Ring fg. dimmer	000 ⇄ 255	0–100%
–	–	25	Ring fg. fine dimmer	000 ⇄ 255	0–100%
7	23	26	Main fg. dimmer	000 ⇄ 255	0–100%
–	–	27	Main fg. fine dimmer	000 ⇄ 255	0–100%
8	24	28	Ring strobe	000 ⇄ 255	See the Strobe Chart
9	25	29	Main strobe	000 ⇄ 255	See the Strobe Chart
10	26	30	Zoom	000 ⇄ 255	Zoom, narrow to wide
11	27	31	Control	000 ⇄ 255	See the Control Chart
–	28	32	Ring fg. red	000 ⇄ 255	0–100%

B	S	A	Function	Value	Percent/Setting
-	-	33	Ring fg. fine red	000 ⇄ 255	0-100%
-	29	34	Main fg. red	000 ⇄ 255	0-100%
-	-	35	Main fg. fine red	000 ⇄ 255	0-100%
-	30	36	Ring fg. green	000 ⇄ 255	0-100%
-	-	37	Ring fg. fine green	000 ⇄ 255	0-100%
-	31	38	Main fg. green	000 ⇄ 255	0-100%
-	-	39	Main fg. fine green	000 ⇄ 255	0-100%
-	32	40	Ring fg. blue	000 ⇄ 255	0-100%
-	-	41	Ring fg. fine blue	000 ⇄ 255	0-100%
-	33	42	Main fg. blue	000 ⇄ 255	0-100%
-	-	43	Main fg. fine blue	000 ⇄ 255	0-100%
-	34	44	Main fg. white	000 ⇄ 255	0-100%
-	-	45	Main fg. fine white	000 ⇄ 255	0-100%

Operation

Dual Control Mode (Pixels)

B = Basic (93 channels), **S** = Standard (112 channels), **A** = Advanced (224 channels)

B	S	A	Function	Value	Percent/Setting
1	1	1	Red 1	000 ⇄ 255	0–100%
–	–	2	Fine red 1	000 ⇄ 255	0–100%
2	2	3	Green 1	000 ⇄ 255	0–100%
–	–	4	Fine green 1	000 ⇄ 255	0–100%
3	3	5	Blue 1	000 ⇄ 255	0–100%
–	–	6	Fine blue 1	000 ⇄ 255	0–100%
4	4	7	Red 2	000 ⇄ 255	0–100%
–	–	8	Fine red 2	000 ⇄ 255	0–100%
5	5	9	Green 2	000 ⇄ 255	0–100%
–	–	10	Fine green 2	000 ⇄ 255	0–100%
6	6	11	Blue 2	000 ⇄ 255	0–100%
–	–	12	Fine blue 2	000 ⇄ 255	0–100%
7	7	13	Red 3	000 ⇄ 255	0–100%
–	–	14	Fine red 3	000 ⇄ 255	0–100%
8	8	15	Green 3	000 ⇄ 255	0–100%
–	–	16	Fine green 3	000 ⇄ 255	0–100%
9	9	17	Blue 3	000 ⇄ 255	0–100%
–	–	18	Fine blue 3	000 ⇄ 255	0–100%
10	10	19	Red 4	000 ⇄ 255	0–100%
–	–	20	Fine red 4	000 ⇄ 255	0–100%
11	11	21	Green 4	000 ⇄ 255	0–100%
–	–	22	Fine green 4	000 ⇄ 255	0–100%
12	12	23	Blue 4	000 ⇄ 255	0–100%
–	–	24	Fine blue 4	000 ⇄ 255	0–100%
13	13	25	Red 5	000 ⇄ 255	0–100%
–	–	26	Fine red 5	000 ⇄ 255	0–100%
14	14	27	Green 5	000 ⇄ 255	0–100%
–	–	28	Fine green 5	000 ⇄ 255	0–100%
15	15	29	Blue 5	000 ⇄ 255	0–100%
–	–	30	Fine blue 5	000 ⇄ 255	0–100%
16	16	31	Red 6	000 ⇄ 255	0–100%
–	–	32	Fine red 6	000 ⇄ 255	0–100%
17	17	33	Green 6	000 ⇄ 255	0–100%
–	–	34	Fine green 6	000 ⇄ 255	0–100%
18	18	35	Blue 6	000 ⇄ 255	0–100%
–	–	36	Fine blue 6	000 ⇄ 255	0–100%
19	19	37	Red 7	000 ⇄ 255	0–100%
–	–	38	Fine red 7	000 ⇄ 255	0–100%
20	20	39	Green 7	000 ⇄ 255	0–100%
–	–	40	Fine green 7	000 ⇄ 255	0–100%
21	21	41	Blue 7	000 ⇄ 255	0–100%
–	–	42	Fine blue 7	000 ⇄ 255	0–100%
22	22	43	Red 8	000 ⇄ 255	0–100%
–	–	44	Fine red 8	000 ⇄ 255	0–100%
23	23	45	Green 8	000 ⇄ 255	0–100%

B	S	A	Function	Value	Percent/Setting
-	-	46	Fine green 8	000 ⇄ 255	0-100%
24	24	47	Blue 8	000 ⇄ 255	0-100%
-	-	48	Fine blue 8	000 ⇄ 255	0-100%
25	25	49	Red 9	000 ⇄ 255	0-100%
-	-	50	Fine red 9	000 ⇄ 255	0-100%
26	26	51	Green 9	000 ⇄ 255	0-100%
-	-	52	Fine green 9	000 ⇄ 255	0-100%
27	27	53	Blue 9	000 ⇄ 255	0-100%
-	-	54	Fine blue 9	000 ⇄ 255	0-100%
28	28	55	Red 10	000 ⇄ 255	0-100%
-	-	56	Fine red 10	000 ⇄ 255	0-100%
29	29	57	Green 10	000 ⇄ 255	0-100%
-	-	58	Fine green 10	000 ⇄ 255	0-100%
30	30	59	Blue 10	000 ⇄ 255	0-100%
-	-	60	Fine blue 10	000 ⇄ 255	0-100%
31	31	61	Red 11	000 ⇄ 255	0-100%
-	-	62	Fine red 11	000 ⇄ 255	0-100%
32	32	63	Green 11	000 ⇄ 255	0-100%
-	-	64	Fine green 11	000 ⇄ 255	0-100%
33	33	65	Blue 11	000 ⇄ 255	0-100%
-	-	66	Fine blue 11	000 ⇄ 255	0-100%
34	34	67	Red 12	000 ⇄ 255	0-100%
-	-	68	Fine red 12	000 ⇄ 255	0-100%
35	35	69	Green 12	000 ⇄ 255	0-100%
-	-	70	Fine green 12	000 ⇄ 255	0-100%
36	36	71	Blue 12	000 ⇄ 255	0-100%
-	-	72	Fine blue 12	000 ⇄ 255	0-100%
37	37	73	Red 13	000 ⇄ 255	0-100%
-	-	74	Fine red 13	000 ⇄ 255	0-100%
38	38	75	Green 13	000 ⇄ 255	0-100%
-	-	76	Fine green 13	000 ⇄ 255	0-100%
39	39	77	Blue 13	000 ⇄ 255	0-100%
-	-	78	Fine blue 13	000 ⇄ 255	0-100%
-	40	79	White 13	000 ⇄ 255	0-100%
-	-	80	Fine white 13	000 ⇄ 255	0-100%
40	41	81	Red 14	000 ⇄ 255	0-100%
-	-	82	Fine red 14	000 ⇄ 255	0-100%
41	42	83	Green 14	000 ⇄ 255	0-100%
-	-	84	Fine green 14	000 ⇄ 255	0-100%
42	43	85	Blue 14	000 ⇄ 255	0-100%
-	-	86	Fine blue 14	000 ⇄ 255	0-100%
-	44	87	White 14	000 ⇄ 255	0-100%
-	-	88	Fine white 14	000 ⇄ 255	0-100%
43	45	89	Red 15	000 ⇄ 255	0-100%
-	-	90	Fine red 15	000 ⇄ 255	0-100%
44	46	91	Green 15	000 ⇄ 255	0-100%
-	-	92	Fine green 15	000 ⇄ 255	0-100%

Operation

B	S	A	Function	Value	Percent/Setting
45	47	93	Blue 15	000 ⇄ 255	0–100%
–	–	94	Fine blue 15	000 ⇄ 255	0–100%
–	48	95	White 15	000 ⇄ 255	0–100%
–	–	96	Fine white 15	000 ⇄ 255	0–100%
46	49	97	Red 16	000 ⇄ 255	0–100%
–	–	98	Fine red 16	000 ⇄ 255	0–100%
47	50	99	Green 16	000 ⇄ 255	0–100%
–	–	100	Fine green 16	000 ⇄ 255	0–100%
48	51	101	Blue 16	000 ⇄ 255	0–100%
–	–	102	Fine blue 16	000 ⇄ 255	0–100%
–	52	103	White 16	000 ⇄ 255	0–100%
–	–	104	Fine white 16	000 ⇄ 255	0–100%
49	53	105	Red 17	000 ⇄ 255	0–100%
–	–	106	Fine red 17	000 ⇄ 255	0–100%
50	54	107	Green 17	000 ⇄ 255	0–100%
–	–	108	Fine green 17	000 ⇄ 255	0–100%
51	55	109	Blue 17	000 ⇄ 255	0–100%
–	–	110	Fine blue 17	000 ⇄ 255	0–100%
–	56	111	White 17	000 ⇄ 255	0–100%
–	–	112	Fine white 17	000 ⇄ 255	0–100%
52	57	113	Red 18	000 ⇄ 255	0–100%
–	–	114	Fine red 18	000 ⇄ 255	0–100%
53	58	115	Green 18	000 ⇄ 255	0–100%
–	–	116	Fine green 18	000 ⇄ 255	0–100%
54	59	117	Blue 18	000 ⇄ 255	0–100%
–	–	118	Fine blue 18	000 ⇄ 255	0–100%
–	60	119	White 18	000 ⇄ 255	0–100%
–	–	120	Fine white 18	000 ⇄ 255	0–100%
55	61	121	Red 19	000 ⇄ 255	0–100%
–	–	122	Fine red 19	000 ⇄ 255	0–100%
56	62	123	Green 19	000 ⇄ 255	0–100%
–	–	124	Fine green 19	000 ⇄ 255	0–100%
57	63	125	Blue 19	000 ⇄ 255	0–100%
–	–	126	Fine blue 19	000 ⇄ 255	0–100%
–	64	127	White 19	000 ⇄ 255	0–100%
–	–	128	Fine white 19	000 ⇄ 255	0–100%
58	65	129	Red 20	000 ⇄ 255	0–100%
–	–	130	Fine red 20	000 ⇄ 255	0–100%
59	66	131	Green 20	000 ⇄ 255	0–100%
–	–	132	Fine green 20	000 ⇄ 255	0–100%
60	67	133	Blue 20	000 ⇄ 255	0–100%
–	–	134	Fine blue 20	000 ⇄ 255	0–100%
–	68	135	White 20	000 ⇄ 255	0–100%
–	–	136	Fine white 20	000 ⇄ 255	0–100%
61	69	137	Red 21	000 ⇄ 255	0–100%
–	–	138	Fine red 21	000 ⇄ 255	0–100%
62	70	139	Green 21	000 ⇄ 255	0–100%

B	S	A	Function	Value	Percent/Setting
-	-	140	Fine green 21	000 ⇄ 255	0-100%
63	71	141	Blue 21	000 ⇄ 255	0-100%
-	-	142	Fine blue 21	000 ⇄ 255	0-100%
-	72	143	White 21	000 ⇄ 255	0-100%
-	-	144	Fine white 21	000 ⇄ 255	0-100%
64	73	145	Red 22	000 ⇄ 255	0-100%
-	-	146	Fine red 22	000 ⇄ 255	0-100%
65	74	147	Green 22	000 ⇄ 255	0-100%
-	-	148	Fine green 22	000 ⇄ 255	0-100%
66	75	149	Blue 22	000 ⇄ 255	0-100%
-	-	150	Fine blue 22	000 ⇄ 255	0-100%
-	76	151	White 22	000 ⇄ 255	0-100%
-	-	152	Fine white 22	000 ⇄ 255	0-100%
67	77	153	Red 23	000 ⇄ 255	0-100%
-	-	154	Fine red 23	000 ⇄ 255	0-100%
68	78	155	Green 23	000 ⇄ 255	0-100%
-	-	156	Fine green 23	000 ⇄ 255	0-100%
69	79	157	Blue 23	000 ⇄ 255	0-100%
-	-	158	Fine blue 23	000 ⇄ 255	0-100%
-	80	159	White 23	000 ⇄ 255	0-100%
-	-	160	Fine white 23	000 ⇄ 255	0-100%
70	81	161	Red 24	000 ⇄ 255	0-100%
-	-	162	Fine red 24	000 ⇄ 255	0-100%
71	82	163	Green 24	000 ⇄ 255	0-100%
-	-	164	Fine green 24	000 ⇄ 255	0-100%
72	83	165	Blue 24	000 ⇄ 255	0-100%
-	-	166	Fine blue 24	000 ⇄ 255	0-100%
-	84	167	White 24	000 ⇄ 255	0-100%
-	-	168	Fine white 24	000 ⇄ 255	0-100%
73	85	169	Red 25	000 ⇄ 255	0-100%
-	-	170	Fine red 25	000 ⇄ 255	0-100%
74	86	171	Green 25	000 ⇄ 255	0-100%
-	-	172	Fine green 25	000 ⇄ 255	0-100%
75	87	173	Blue 25	000 ⇄ 255	0-100%
-	-	174	Fine blue 25	000 ⇄ 255	0-100%
-	88	175	White 25	000 ⇄ 255	0-100%
-	-	176	Fine white 25	000 ⇄ 255	0-100%
76	89	177	Red 26	000 ⇄ 255	0-100%
-	-	178	Fine red 26	000 ⇄ 255	0-100%
77	90	179	Green 26	000 ⇄ 255	0-100%
-	-	180	Fine green 26	000 ⇄ 255	0-100%
78	91	181	Blue 26	000 ⇄ 255	0-100%
-	-	182	Fine blue 26	000 ⇄ 255	0-100%
-	92	183	White 26	000 ⇄ 255	0-100%
-	-	184	Fine white 26	000 ⇄ 255	0-100%
79	93	185	Red 27	000 ⇄ 255	0-100%
-	-	186	Fine red 27	000 ⇄ 255	0-100%

Operation

B	S	A	Function	Value	Percent/Setting
80	94	187	Green 27	000 ⇄ 255	0–100%
–	–	188	Fine green 27	000 ⇄ 255	0–100%
81	95	189	Blue 27	000 ⇄ 255	0–100%
–	–	190	Fine blue 27	000 ⇄ 255	0–100%
–	96	191	White 27	000 ⇄ 255	0–100%
–	–	192	Fine white 27	000 ⇄ 255	0–100%
82	97	193	Red 28	000 ⇄ 255	0–100%
–	–	194	Fine red 28	000 ⇄ 255	0–100%
83	98	195	Green 28	000 ⇄ 255	0–100%
–	–	196	Fine green 28	000 ⇄ 255	0–100%
84	99	197	Blue 28	000 ⇄ 255	0–100%
–	–	198	Fine blue 28	000 ⇄ 255	0–100%
–	100	199	White 28	000 ⇄ 255	0–100%
–	–	200	Fine white 28	000 ⇄ 255	0–100%
85	101	201	Red 29	000 ⇄ 255	0–100%
–	–	202	Fine red 29	000 ⇄ 255	0–100%
86	102	203	Green 29	000 ⇄ 255	0–100%
–	–	204	Fine green 29	000 ⇄ 255	0–100%
87	103	205	Blue 29	000 ⇄ 255	0–100%
–	–	206	Fine blue 29	000 ⇄ 255	0–100%
–	104	207	White 29	000 ⇄ 255	0–100%
–	–	208	Fine white 29	000 ⇄ 255	0–100%
88	105	209	Red 30	000 ⇄ 255	0–100%
–	–	210	Fine red 30	000 ⇄ 255	0–100%
89	106	211	Green 30	000 ⇄ 255	0–100%
–	–	212	Fine green 30	000 ⇄ 255	0–100%
90	107	213	Blue 30	000 ⇄ 255	0–100%
–	–	214	Fine blue 30	000 ⇄ 255	0–100%
–	108	215	White 30	000 ⇄ 255	0–100%
–	–	216	Fine white 30	000 ⇄ 255	0–100%
91	109	217	Red 31	000 ⇄ 255	0–100%
–	–	218	Fine red 31	000 ⇄ 255	0–100%
92	110	219	Green 31	000 ⇄ 255	0–100%
–	–	220	Fine green 31	000 ⇄ 255	0–100%
93	111	221	Blue 31	000 ⇄ 255	0–100%
–	–	222	Fine blue 31	000 ⇄ 255	0–100%
–	112	223	White 31	000 ⇄ 255	0–100%
–	–	224	Fine white 31	000 ⇄ 255	0–100%

Color Chart

DMX Value	Function	Red Value	Green Value	Blue Value	White Value
000	No function	N/A	N/A	N/A	N/A
001 ⇔ 002	2700K	156	118	000	063
003 ⇔ 004	3200K	156	141	005	089
005 ⇔ 006	4200K	156	141	014	255
007 ⇔ 008	5600K	156	207	054	255
009 ⇔ 010	8000K	130	255	096	255
011	Blue	000	000	255	000
012 ⇔ 048	Blue to cyan	000	+	255	000
049	Cyan	000	255	255	000
050 ⇔ 086	Cyan to green	000	255	-	000
087	Green	000	255	000	000
088 ⇔ 124	Green to yellow	+	255	000	000
125	Yellow	255	255	000	000
126 ⇔ 162	Yellow to red	255	-	000	000
163	Red	255	000	000	000
164 ⇔ 200	Red to magenta	255	000	+	000
201	Magenta	255	000	255	000
202 ⇔ 238	Magenta to blue	-	000	255	000
239	Blue	000	000	255	000
240 ⇔ 247	Color fade, fast to slow	N/A	N/A	N/A	N/A
248 ⇔ 255	Color snap, fast to slow	N/A	N/A	N/A	N/A

Strobe Chart

DMX Value	Function	DMX Value	Function
000 ⇔ 019	Off	145 ⇔ 149	On
020 ⇔ 024	On	150 ⇔ 164	Random 0–100% strobe, fast to slow
025 ⇔ 064	Strobe, fast to slow	165 ⇔ 169	On
065 ⇔ 069	On	170 ⇔ 184	Pulse strobe 1, fast to slow
070 ⇔ 084	100–0% strobe, fast to slow	185 ⇔ 189	On
085 ⇔ 089	On	190 ⇔ 204	Random pulse strobe, fast to slow
090 ⇔ 104	0–100% strobe, fast to slow	205 ⇔ 209	On
105 ⇔ 109	On	210 ⇔ 224	100–0–100% strobe, fast to slow
110 ⇔ 124	Random strobe, fast to slow	225 ⇔ 229	On
125 ⇔ 129	On	230 ⇔ 244	Pulse strobe 2, fast to slow
130 ⇔ 144	Random 100–0% strobe, fast to slow	245 ⇔ 255	On

Operation

Control Chart

DMX Value	Function	DMX Value	Function
000 ⇔ 009	No function	120 ⇔ 124	Fan mode ECO
010 ⇔ 014	Blackout on pan/tilt	125 ⇔ 129	Fan mode full
015 ⇔ 019	Reserved for future use	130 ⇔ 134	Fan mode auto
020 ⇔ 024	RGBW color mixing	135 ⇔ 139	Dimmer mode fast
025 ⇔ 029	CMY color mixing	140 ⇔ 144	Dimmer mode smooth
030 ⇔ 034	Combine main and ring	145 ⇔ 149	Dimmer curve linear
035 ⇔ 039	Disable combine main and ring	150 ⇔ 154	Dimmer curve square
040 ⇔ 044	Defrost fan on	155 ⇔ 159	Dimmer curve inverse square
045 ⇔ 049	Defrost fan off	160 ⇔ 164	Dimmer curve S-curve
050 ⇔ 054	Reset pan	165 ⇔ 169	WHITE mode
055 ⇔ 059	Reset tilt	170 ⇔ 174	FULL mode
060 ⇔ 064	Zoom reset	175 ⇔ 179	Single-color calibration off
065 ⇔ 069	Reserved for future use	180 ⇔ 184	Single-color calibration on
070 ⇔ 074	Reset all	185 ⇔ 186	PWM 600 Hz
075 ⇔ 084	Reserved for future use	187 ⇔ 188	PWM 1200 Hz
085 ⇔ 089	Reverse pan	189 ⇔ 190	PWM 2000 Hz
090 ⇔ 094	Reverse tilt	191 ⇔ 192	PWM 4000 Hz
095 ⇔ 099	Normal pan	193 ⇔ 194	PWM 6000 Hz
100 ⇔ 104	Normal tilt	195 ⇔ 196	PWM 15000 Hz
105 ⇔ 109	Reserved for future use	197 ⇔ 239	No function
110 ⇔ 114	Preset color HTP on	240 ⇔ 247	Calibration on
115 ⇔ 119	Preset color HTP off	248 ⇔ 255	Calibration off



Preset Color HTP

When preset color HTP is on, manual color controls may be used at the same time as preset color controls.

When preset color HTP is off, preset color controls will override all manual color controls.

Configuration (Test)

The test modes allow all functions of the Maverick Storm 2 BeamWash to be tested automatically or individually.

Automatic Test

To run an automatic test of all product functions:

1. Go to the **Test Mode** main level.
2. Select the **Auto Test** option.

Manual Test

To manually test each function of the Maverick Storm 2 BeamWash:

1. Go to the **Test Mode** main level.
2. Select the **Manual Test** option.
3. Select a function to test, from **Pan, Tilt, P/T Speed, Red1, Green1, Blue1, CTC1, Color1, Pattern1, LED Macro1, LED Ma. Speed1, LED Ma. Fade1, Background1, Background1 Dim, Dimmer 1, Shutter1, Red2, Green2, Blue2, White2, CTC2, Color2, Pattern2, LED Macro2, LED Ma. Speed2, LED Ma. Fade2, Background2, Background2 Dim, Dimmer 2, Shutter2, Function, or Zoom.**
4. Increase or decrease the value of the selected function from **000–255** to test it.

Configuration (Settings)

Pan Reverse

To set the orientation of the pan:

1. Go to the **Setup** main level.
2. Select the **Pan Reverse** option.
3. Select from **NO** (normal pan motion), or **YES** (reversed pan motion).

Tilt Reverse

To set the orientation of the tilt:

1. Go to the **Setup** main level.
2. Select the **Tilt Reverse** option.
3. Select from **NO** (normal tilt motion), or **YES** (reversed tilt motion).

Screen Reverse

To set the orientation of the display:

1. Go to the **Setup** main level.
2. Select the **Screen Reverse** option.
3. Select from **NO** (right-side up), **YES** (upside-down), or **AUTO** (changes depending on the orientation of the product).

Pan Angle

To set the maximum angle of the pan:

1. Go to the **Setup** main level.
2. Select the **Pan Angle** option.
3. Select from **540** (540°), **360** (360°), or **180** (180°).

Tilt Angle

To set the maximum angle of the tilt:

1. Go to the **Setup** main level.
2. Select the **Tilt Angle** option.
3. Select from **260** (270°), **180** (180°), or **90** (90°).

Blackout on Movement

To set the Maverick Storm 2 BeamWash to black out on pan or tilt movement:

1. Go to the **Setup** main level.
2. Select the **BL. O. P/T Move** (blackout on pan or tilt movement) option.
3. Select from **NO** (no blackout on pan/tilt movement), or **YES** (blackout during pan/tilt movement).

Swap Pan and Tilt

To swap the pan and tilt controls for each other:

1. Go to the **Setup** main level.
2. Select the **Swap XY** option.
3. Select from **NO** (do not swap), or **YES** (swap so pan controls tilt and tilt controls pan).

WDMX Reset

To reset the WDMX connection and allow the Maverick Storm 2 BeamWash to connect to a WDMX transmitter:

1. Go to the **Setup** main level.
2. Select the **WDMX Reset** option.
3. Select from **NO** (do not reset), or **YES** (reset the WDMX connection).



Follow instructions in the manual or guide for the WDMX controller being used to connect it to the receiver in the Maverick Storm 2 BeamWash.

Display Backlight Timer

To set the length of time before an inactive display will turn off:

1. Go to the **Setup** main level.
2. Select the **Backlight Timer** option.
3. Select the length of the backlight timer, from **30S** (30 seconds), **1M** (1 minute), **5M** (5 minutes), or **ON** (always on).

Operation

Loss of Data

To set how the product reacts to a loss in control signal data:

1. Go to the **Setup** main level.
2. Select the **Loss of Data** option.
3. Select from **Hold** (holds the last values received before signal loss), or **Close** (blacks out the product).

Fan Mode

To set the fan speed mode:

1. Go to the **Setup** main level.
2. Select the **Fans** option.
3. Select the fan mode, from **Auto** (fan speed adjusts to product temperature), **Full** (fan speed at maximum), or **ECO** (quiet mode).

Color Mixing Mode

To set the color mixing mode:

1. Go to the **Setup** main level.
2. Select the **C Mixing Mode** option.
3. Select from **RGBW** (additive color mixing: add red, green, blue, and white together to mix colors), or **CMY** (subtractive color mixing: remove cyan, magenta, and yellow from the total to mix colors).

Dimmer Curve

To set the dimmer curve:

1. Go to the **Setup** main level.
2. Select the **Dimmer Curve** option.
3. Select the dimmer curve, from **Linear**, **Square**, **ISqua**, or **SCurve**.

Dimmer Speed

To set the dimmer speed:

1. Go to the **Setup** main level.
2. Select the **Dimmer Speed** option.
3. Select the dimmer speed, from **Smooth** or **Fast**.

Pulse Width Modulation

To adjust the frequency of the pulse width modulation:

1. Go to the **Setup** main level.
2. Select the **PWM Option** option.
3. Select the frequency, from **600Hz**, **1200Hz**, **2000Hz**, **4000Hz**, **6000Hz**, or **15000Hz**.

Color Balance

To set the color balance:

1. Go to the **Setup** main level.
2. Select the **Color Balance** option.
3. Select the color level to alter, from **Red**, **Green**, **Blue**, or **White**.
4. Set the maximum value for the selected color (**100–255**).

Calibrated White

To set the white mode:

1. Go to the **Setup** main level.
2. Select the **Calibrated White** option.
3. Select the mode, from **ON** (factory calibrated white balance), **OFF** (uncalibrated full power), or **Custom** (see White Balance).

Color Balance

To set the custom white balance:

1. Go to the **Setup** main level.
2. Select the **White Balance** option.
3. Select the color level to alter, from **Red**, **Green**, **Blue**, or **White**.
4. Set the maximum value for the selected color (**000–255**).

Preset Selection

To select a preset configuration of menu options:

1. Go to the **Setup** main level.
2. Select the **Preset Select** option.
3. Select from **PRESET A** (default), **PRESET B**, or **PRESET C**.



- **Changes to settings automatically save to the currently selected Preset.**
- **If no Preset has been selected, changes to settings save to PRESET A.**
- **After selecting a Preset, the product will restart.**

Preset Synchronization

To transfer saved Presets from one Maverick Storm 2 BeamWash to another:

1. Connect the Maverick Storm 2 BeamWash products to receive the Presets by a DMX daisy chain.
2. Make the Maverick Storm 2 BeamWash with the Presets to transfer the first in the DMX daisy chain.
3. Power on all of the products.
4. Set all of the products to a [Control Mode](#) other than **WDMX** or **KlingNet**. (**DMX**, **ArtNet**, or **sACN**)
5. On the Maverick Storm 2 BeamWash with the Presets, go to the **Setup** main level.
6. Select the **Preset Sync** option.
7. Select **NO** (to cancel) or **YES** (to transfer the Presets to the connected products).



- **All menu configurations are transferred except for the IP address.**
- **ONLY connect Maverick Storm 2 BeamWash products for this function!**

Reset Function

To reset specific functions or the entire product:

1. Go to the **Setup** main level.
2. Select the **Reset Function** option.
3. Select the functions to reset, from:
 - **Pan/Tilt**
 - **Zoom**
 - or
 - **All**
4. Select **NO** (to cancel) or **YES** (to reset the selected functions).

Factory Reset

To reset the product to factory settings:

1. Go to the **Setup** main level.
2. Select the **Factory Settings** option.
3. Select **NO** (to cancel) or **YES** (to reset the product configuration).

System Information

The information section of the menu displays statistics and the current status of the product's various functions. To view these information sections:

1. Go to the **Sys Info** main level.
2. Select which information to view, from **Fixture Information** (shows the firmware version, running mode, addresses, temperature, running time, and network addresses), **Fan Information** (shows the speed of the fans in rotations per minute (rpm)), **Error Information** (shows any error or No Error!), or **Channel Information** (shows the current values of all signal input channels).
3. If necessary, scroll up and down to view all information available in the selected option.

Offset Mode (Zero Adjust)

The Offset mode provides fine adjustments for the home position of every moving part in the optical path as well as the pan and tilt movements. To adjust these options and prevent borders showing or reduction of the light output:

1. From the home screen, press and hold **<MENU>** until the passcode screen appears.
2. Enter the passcode: **2323** and press **<ENTER>**.
3. Select the "zero" position to adjust, from **PAN**, **TILT**, **ZOOM**, **MAC4**, **MAC5**, **MAC6**, **RDM4**, **RDM5**, or **RDM6**
4. Adjust the "zero" position for the selected function from **000–255**.

Operation

Web Server

The Maverick Storm 2 BeamWash Web Server can be accessed by any computer on the same network as the product. It allows network access to system information, settings such as control setup, manual testing of all functions, firmware updates, and the ability to change the Web Server password.

1. Connect the product to power, and set the [Control Mode](#) to **ArtNet** and the [IP Mode](#) to **Static**.
2. Connect the product to a Windows computer with a network cable.
3. On the computer, set the first value of the IP address of the new network to match the first value of the IP address of the product. The IP address of the product is displayed on the [Home Screen](#).
4. Enter the IP address of the product into the URL bar of a web browser on the computer.
5. Enter both the User Name and Password as **admin** to log in.

Information

The Information page on the Web Server displays the current settings and the system information of the Maverick Storm 2 BeamWash.

Setup

The Setup page on the Web Server provides options for control, similar to the **Setup** menu on the product. Click **Save Settings** to send the new configuration to the product.

Manual Test

The Manual Test page on the Web Server allows all output functions of the product to be controlled through the browser. To set all functions back to default, click **Reset**.

Firmware Update

The Upgrade page on the Web Server allows the product to be updated with the latest firmware. Go to <https://www.chauvetprofessional.com> to download firmware updates.

Security

The Security page on the Web Server gives the option to change the password to the connected product's web server. Enter the old password (**admin**, by default) and the new password twice, then click **Save Settings** to change the password.

5. Maintenance

Product Maintenance

Dust build-up reduces light output performance and can cause overheating. This can lead to reduction of the light source's life and/or mechanical wear. To maintain optimum performance and minimize wear, clean your lighting products at least twice a month. However, be aware that usage and environmental conditions could be contributing factors to increase the cleaning frequency.

To clean the product, follow the instructions below:

1. Unplug the product from power.
2. Wait until the product is at room temperature.
3. Use a vacuum (or dry compressed air) and a soft brush to remove dust collected on the external surface/vents.
4. Clean all transparent surfaces with a mild soap solution, ammonia-free glass cleaner, or isopropyl alcohol.
5. Apply the solution directly to a soft, lint free cotton cloth or a lens cleaning tissue.
6. Softly drag any dirt or grime to the outside of the transparent surface.
7. Gently polish the transparent surfaces until they are free of haze and lint.



Always dry the transparent surfaces carefully after cleaning them.



Do not spin the cooling fans with compressed air. Damage may result.

Technical Specifications

6. Technical Specifications

Dimensions and Weight

Length	Width	Height	Weight
15.28 in (388 mm)	11.42 in (290 mm)	19.72 in (501 mm)	52.4 lb (23.8 kg)

Note: Dimensions in inches are rounded.

Power

Power Supply Type	Range	Voltage Selection
Switching (internal)	100 to 240 VAC, 50/60 Hz	Auto-ranging

Parameter	100 V, 60 Hz	120 V, 60 Hz	208 V, 60 Hz	230 V, 50 Hz	240 V, 50 Hz
Consumption	1,090 W	1,080 W	1,040 W	1,040 W	1,080 W
Operating Current	11.70 A	9.26 A	5.23 A	4.65 A	4.74 A
Fuse/Breaker	T20 A, 250 V	T20 A, 250 V	T20 A, 250 V	T20 A, 250 V	T20 A, 250 V

Power I/O	U.S./Worldwide	UK/Europe
Power Input Connector	Seetronic Powerkon IP65	Seetronic Powerkon IP65
Power Cable plug	Bare wire	Bare wire

Light Source

Type	Color	Quantity	Power	Current	Lifespan
LED	RGBW	19	50 W	3 A	50,000 hours
LED	RGB	144	0.2 W	20 mA	50,000 hours

Photometrics

Beam Angle	Field Angle	Cutoff Angle
3.6° to 34.5°	5.7° to 47.4°	6.6° to 53.4°
Zoom Range	Illuminance @ 5 m (3.6°)	Illuminance @ 5 m (47.4°)
3.6° to 53.4°	37,529 lux	1,262 lux

Thermal

Maximum External Temperature	Cooling System
113 °F (45 °C)	Fan-assisted Convection

Control

I/O Connector	Channel Range
5-pin XLR (DMX) Neutrik IP rated RJ45 in/out (Art-Net™, sACN, Kling-Net)	Single Control: 31, 143, 263, 325, 37, or 19 Dual Control Movement: 11, 34, or 45 Dual Control Pixel: 93, 112, or 224

Ordering

Product Name	Item Name	Item Code	UPC Number
Maverick Storm 2 BeamWash	MAVERICKSTORM2BEAMWASH	08011889	781462222376



UL 1573
CSA C22.2 No. 166
E113093



RoHS



Contact Us

General Information	Technical Support
World Headquarters	
Address: 3360 Davie Rd. Davie, FL 33314 Voice: (954) 577-4455 Fax: (954) 929-5560 Toll Free: (800) 762-1084	Voice: (844) 393-7575 Fax: (954) 756-8015 Email: chauvetcs@chauvetlighting.com Website: www.chauvetprofessional.com
U.K.	
Address: Unit 1C Brookhill Road Industrial Estate Pinxton, Nottingham, UK NG16 6NT Voice: +44 (0) 1773 511115 Fax: +44 (0) 1773 511110	Email: UKtech@chauvetlighting.eu Website: www.chauvetprofessional.eu
Benelux	
Address: Stokstraat 18 9770 Kruishoutem Belgium Voice: +32 9 388 93 97	Email: BNLtech@chauvetlighting.eu Website: www.chauvetprofessional.eu
France	
Address: 3, Rue Ampère 91380 Chilly-Mazarin France Voice: +33 1 78 85 33 59	Email: FRtech@chauvetlighting.fr Website: www.chauvetprofessional.eu
Germany	
Address: Bruno-Bürgel-Str. 11 28759 Bremen Germany Voice: +49 421 62 60 20	Email: DEtech@chauvetlighting.de Website: www.chauvetprofessional.eu
Mexico	
Address: Av. de las Partidas 34 - 3B (Entrance by Calle 2) Zona Industrial Lerma Lerma, Edo. de México, CP 52000 Voice: +52 (728) 690-2010	Email: servicio@chauvet.com.mx Website: www.chauvetprofessional.mx

Warranty & Returns

For warranty terms and conditions and return information, please visit our website.

For Customers in the United States and Mexico: www.chauvetlighting.com/warranty-registration.

For Customers in the United Kingdom, Republic of Ireland, Belgium, the Netherlands, Luxembourg, France, and Germany: www.chauvetlighting.eu/warranty-registration.