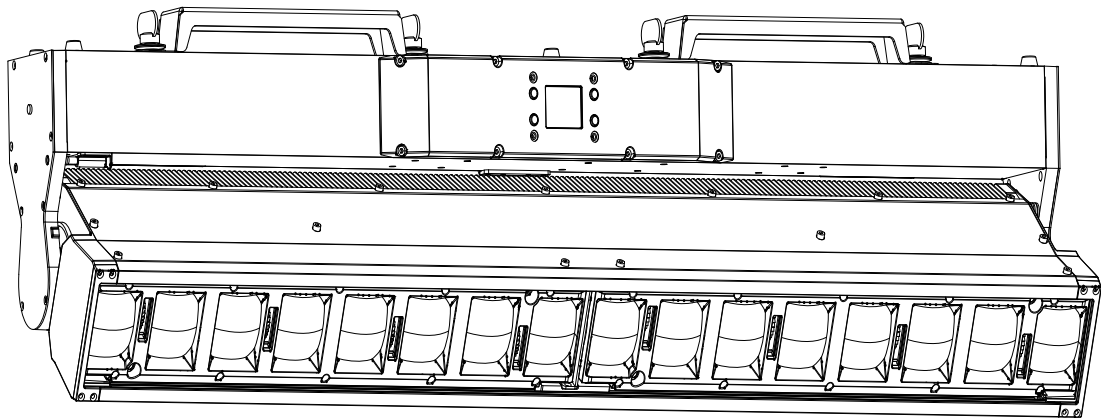


COLORADO PXL BAR 16

Quick Reference Guide

| | |
|------------|----|
| English | EN |
| Español | ES |
| Français | FR |
| Deutsch | DE |
| Nederlands | NL |



Model ID: COLORADOPXLBAR16


CHAUVET
PROFESSIONAL

About This Guide

The COLORado PXL Bar 16 Quick Reference Guide (QRG) has basic product information such as connection, mounting, menu options, and DMX values. Download the User Manual from www.chauvetprofessional.com for more details.

Disclaimer

The information and specifications contained in this QRG are subject to change without notice.

LIMITED WARRANTY

FOR WARRANTY REGISTRATION AND COMPLETE TERMS AND CONDITIONS PLEASE VISIT OUR WEBSITE.

For Customers in the United States and Mexico: www.chauvetlighting.com/warranty-registration.

For Customers in the United Kingdom, Republic of Ireland, Belgium, the Netherlands, Luxembourg, France, and Germany: www.chauvetlighting.eu/warranty-registration.

Chauvet warrants that this product shall be free from defects in material and workmanship under normal use, for the period specified in, and subject to the exclusions and limitations set forth in the full limited warranty on our website. This warranty extends only to the original purchaser of the product and is not transferable. To exercise rights under this warranty, you must provide proof of purchase in the form of an original sales receipt from an authorized dealer that shows the product name and date of purchase. **THERE ARE NO OTHER EXPRESS OR IMPLIED WARRANTIES.** This warranty gives you specific legal rights. You may also have other rights that vary from state to state and country to country. This warranty is valid only in the United States, United Kingdom, Republic of Ireland, Belgium, the Netherlands, Luxembourg, France, Germany and Mexico. For warranty terms in other countries, please consult your local distributor.

Safety Notes

These Safety Notes include important information about installation, use, and maintenance.

- DO NOT open this product. It contains no user-serviceable parts.
- DO NOT look at the light source when the product is on.
- DO NOT leave any flammable material within 20 cm of this product while operating or connected to power.
- DO NOT operate this product if the housing, lenses, or cables appear damaged.
- DO NOT connect this product to a dimmer or rheostat.
- DO NOT submerge this product. Temporary outdoor operation is fine (IP65).
- Not for permanent outdoor installation in locations with extreme environmental conditions. This includes, but is not limited to:
 - Exposure to a marine/saline environment (within 3 miles of a saltwater body of water).
 - Where the normal high or low temperatures of the location exceed the temperature ranges in this manual.
 - Locations that are prone to flooding or being buried in snow.
 - Other areas where the product will be subject to extreme radiation or caustic substances.
- CAUTION: When transferring product from extreme temperature environments, (e.g., cold truck to warm humid ballroom) condensation may form on the internal electronics of the product. To avoid causing a failure, allow product to fully acclimate to the surrounding environment before connecting it to power.
- CAUTION: This product's housing may be hot when lights are operating.
- USE a safety cable when mounting this product overhead.
- ONLY connect this product to a grounded and protected circuit.
- ONLY use the hanging/mounting bracket to carry this product.
- Mount this product in a location with adequate ventilation, at least 20 in (50 cm) from adjacent surfaces.
- The product is not intended for permanent installation.
- To eliminate unnecessary wear and improve its lifespan, during periods of non-use completely disconnect the product from power via breaker or by unplugging it.
- In the event of a serious operating problem, stop using immediately.
- The maximum ambient temperature is 113 °F (45 °C). Do not operate this product at higher temperatures.
- The luminaire should be positioned so that prolonged staring into the luminaire at a distance closer than 10 ft (3 m) is not expected.
- If the external flexible cable or cord of this luminaire is damaged, it shall be replaced by a special cord or cord exclusively available from the manufacturer or his service agent.
- The light source contained in this luminaire shall only be replaced by the manufacturer or his service agent or a similar qualified person.
- The luminaire is intended for professional use only.

FCC Compliance

This device complies with Part 15 Part B of the FCC rules. Operation is subject to the following two conditions:

1. This device may not cause harmful interference, and
2. This device must accept any interference received, including interference that may cause undesired operation.

Any changes or modifications not expressly approved by the party responsible for compliance could void the user's authority to operate the equipment.

Contact

Outside the U.S., U.K., Ireland, Benelux, France, Germany, or Mexico, contact your distributor to request support or return a product. Refer to [Contact Us](#) at the end of this QRG for contact information.

What is Included

- COLORado PXL Bar 16
- 2 Omega bracket with mounting hardware
- Seetronic Powerkon IP65 power cord
- Quick Reference Guide

AC Power

This product has an auto-ranging power supply that can work with an input voltage range of 100–240 V~, 50/60 Hz.

Power Linking

You can link up to 3 COLORado PXL Bar 16 products at 208, 230, or 240 V. Never exceed this number. Power-linking cords can be purchased separately.

AC Plug

| Connection | Wire (U.S.) | Wire (Europe) | Screw Color |
|------------|--------------|---------------|--------------|
| AC Live | Black | Brown | Yellow/Brass |
| AC Neutral | White | Blue | Silver |
| AC Ground | Green/Yellow | Green/Yellow | Green |



To eliminate unnecessary wear and improve its lifespan, during periods of non-use completely disconnect the product from power via breaker or by unplugging it.

Signal Connection

The COLORado PXL Bar 16 can be linked to a controller or controller software using a DMX connection, an Ethernet connection, or both. If using other Art-Net™, sACN, or Kling-Net -compatible products with the COLORado PXL Bar 16, you can control each individually on a single network. See the User Manual for information about how to connect and configure the product for these signals.

Control Personalities

The COLORado PXL Bar 16 uses DMX, Art-Net™, sACN, and Kling-Net for its control personalities:

| Single Mode | Dual Mode Movement | Dual Mode Pixels |
|--------------------------------|-------------------------------|--|
| Basic (20 channels) | Basic (8 channels) | Basic (48 channels) |
| Standard (84 channels) | Standard (20 channels) | Standard (64 channels) |
| Advanced (154 channels) | Advanced (26 channels) | Advanced (128 channels) |
| Tour (186 channels) | Uses DMX, Art-Net™, or sACN | Uses DMX, Art-Net™, sACN, or Kling-Net |
| Uses DMX, Art-Net™, or sACN | | |

DMX Connection

The COLORado PXL Bar 16 will work with a DMX controller using a 5-pin IP-rated DMX serial connection. A DMX Primer is available from www.chauvetprofessional.com.

RDM (Remote Device Management)

Remote Device Management, or RDM, is a standard for allowing DMX-enabled devices to communicate bi-directionally along existing DMX cabling. Check the DMX controller’s User Manual or with the manufacturer as not all DMX controllers have this capability. The COLORado PXL Bar 16 supports RDM protocol that allows feedback to make changes to menu map options. Download the User Manual from www.chauvetprofessional.com for more details.

Art-Net™ Connection

Art-Net™ is an Ethernet protocol that uses TCP/IP, which transfers a large amount of DMX512 data using an Amphenol XLR Net RJ45 connection over a large network. An Art-Net™ protocol document is available from www.chauvetprofessional.com. Chauvet Professional recommends using unicast Art-Net™ for best results. Art-Net™ designed by and copyright Artistic Licence Holdings Ltd.

sACN Connection

Also known as ANSI E1.31, Streaming-ACN is an Ethernet protocol that uses the layering and formatting of Architecture for Control Networks to transport DMX512 data over IP or any other ACN-compatible network.

Kling-Net Connection

Kling-Net is a network protocol that allows autoconfiguration of display devices using a Neutrik® etherCON® RJ45 Ethernet connection. Refer to the ArKaos software manual for detailed instructions on programming this product.



- For smooth-running operation, ArKaos Kling-Net requires a gigabit (1,000 Mbps) Ethernet card and network router.
- ArKaos Kling-Net will only run Standard Pixels or Basic Pixels mode.

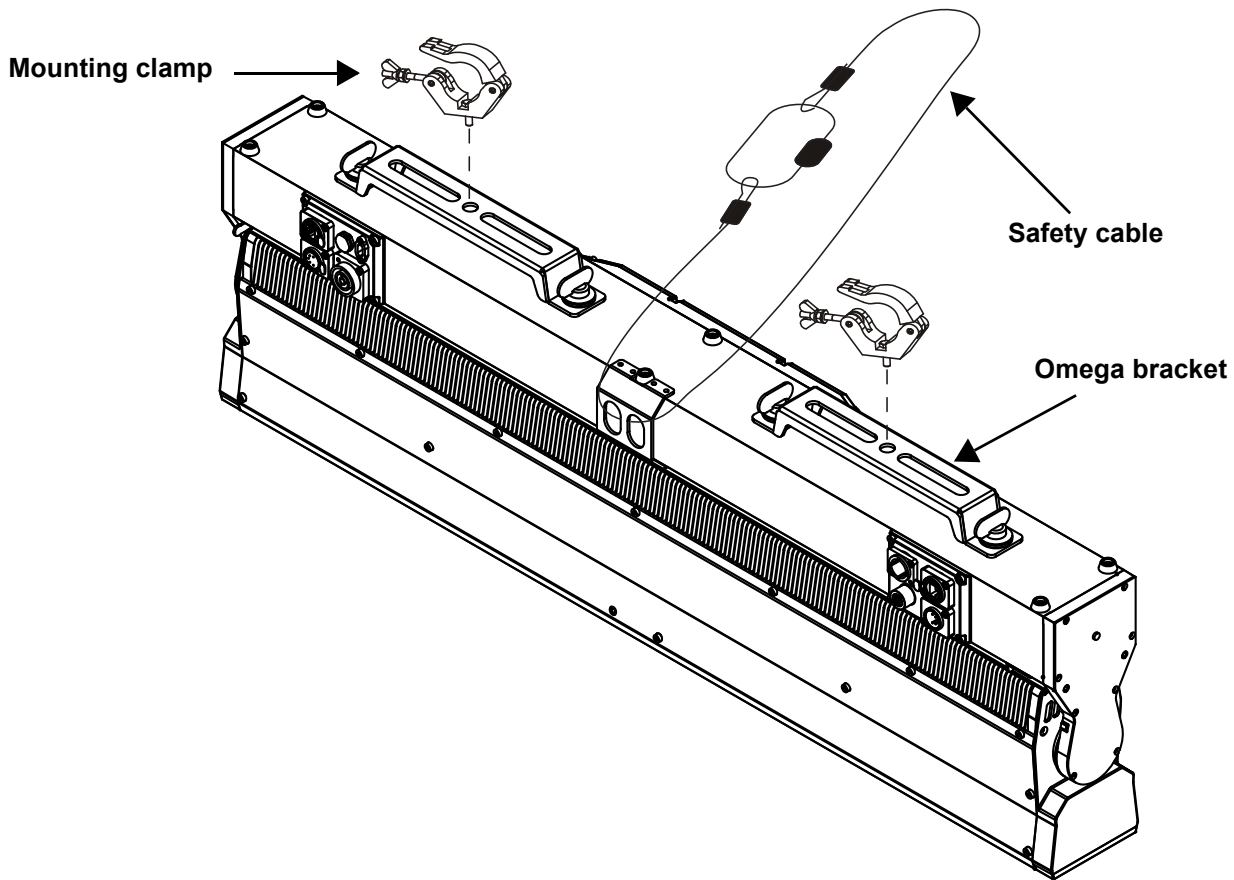
Master/Slave Connection

The COLORado PXL Bar 16 uses the DMX data connection for its master/slave mode. See the User Manual for information about how to connect and configure the product for master/slave operation.

Mounting

Before mounting this product, read the [Safety Notes](#). Use at least two mounting point per product. Make sure the mounting clamps are capable of supporting the weight of the product. For our Chauvet line of mounting clamps, go to <http://trusst.com/productcategory/truss-clamps/>.

Mounting Diagram



Control Panel Description

| Button | Function |
|---------|--|
| <MENU> | Exits from the current menu or function |
| <ENTER> | Enables the currently displayed menu or sets the currently selected value into the selected function |
| <UP> | Navigates upwards through the menu list or increases the numeric value when in a function |
| <DOWN> | Navigates downwards through the menu list or decreases the numeric value when in a function |

Menu Map

Refer to the COLORado PXL Bar 16 product page on www.chauvetprofessional.com for the latest menu map.

| Programming Levels | | | | Description | |
|--------------------|----------------|------------------------|---|--|--|
| Address | | | | Address Main Level | |
| Address | Single Control | DMX | Personality | Basic | Sets the DMX personality (see Control Personalities) |
| | | | | Standard | |
| | | | | Advanced | |
| | | | Tour | | |
| | | Start Address | 0-512 | Sets the DMX starting address | |
| | | ArtNet | Personality | Basic | Sets the Art-Net™ personality (see Control Personalities) |
| | | | | Standard | |
| | | | | Advanced | |
| | | | Tour | | |
| | Start Address | 0-512 | Sets the Art-Net™ starting address | | |
| | Universe | 0-255 | Sets the Art-Net™ universe | | |
| | sACN | Personality | Basic | Sets the sACN personality (see Control Personalities) | |
| | | | Standard | | |
| | | | Advanced | | |
| | | Tour | | | |
| | Start Address | 0-512 | Sets the sACN starting address | | |
| | Universe | 0-255 | Sets the sACN universe | | |
| | Dual Control | Movement | DMX | Personality | Basic |
| Standard | | | | | |
| Advanced | | | | | |
| Start Address | | | | 0-512 | Sets the DMX starting address |
| ArtNet | | | Personality | Basic | Sets the Art-Net™ personality (see Control Personalities) |
| | | | | Standard | |
| | | | | Advanced | |
| | | | Start Address | 0-512 | |
| Universe | | | 0-255 | Sets the Art-Net™ universe | |
| sACN | | Personality | Basic | Sets the sACN personality (see Control Personalities) | |
| | | | Standard | | |
| | | | Advanced | | |
| | | Start Address | 0-512 | | Sets the sACN starting address |
| Universe | | 0-255 | Sets the sACN universe | | |
| Pixels | | DMX | Personality | Basic | Sets the DMX personality (see Control Personalities) |
| | | | | Standard | |
| | | | | Advanced | |
| | | | Start Address | 0-512 | |
| | ArtNet | Personality | Basic | Sets the Art-Net™ personality (see Control Personalities) | |
| | | | Standard | | |
| | | | Advanced | | |
| | | Start Address | 0-512 | | Sets the Art-Net™ starting address |
| | Universe | 0-255 | Sets the Art-Net™ universe | | |
| sACN | Personality | Basic | Sets the sACN personality (see Control Personalities) | | |
| | | Standard | | | |
| | | Advanced | | | |
| | Start Address | 0-512 | | Sets the sACN starting address | |
| Universe | 0-255 | Sets the sACN universe | | | |
| KlingNet | Personality | Basic | Sets the Kling-Net personality (see Control Personalities) | | |
| | | Standard | | | |

QUICK REFERENCE GUIDE



EN

| Main Level | Programming Levels | | Description | | |
|----------------------|-------------------------|------------------------|--|--|--------------------------------|
| Run Mode | Auto Test | | Auto test all functions | | |
| | Manual Test | Tilt | 000–255 | Manually control and test all settings through the control panel | |
| | | P/T Speed | | | |
| | | Red | | | |
| | | Green | | | |
| | | Blue | | | |
| | | White | | | |
| | | CTC | | | |
| | | Color | | | |
| | | Pattern | | | |
| | | LED Macro | | | |
| | | LED Ma. Speed | | | |
| | | LED Ma. Fade | | | |
| | | Background | | | |
| | | Background Dim. | | | |
| | | Dimmer | | | |
| Shutter | | | | | |
| Function | | | | | |
| Zoom1 | | | | | |
| Zoom2 | | | | | |
| Setup | Network Settings | IP Mode | | Manual | Manually sets IP address |
| | | | | DHCP | Network sets IP address |
| | | | | Static | Product sets IP address |
| | | IP | IP Byte 1–4 | 000–255 | Sets IP address in manual mode |
| | SMK | SubMask 1–4 | 000–255 | Sets Subnet Mask in manual mode | |
| | Tilt Reverse | NO | | Normal tilt | |
| | | YES | | Reversed tilt | |
| | Zoom Reverse | NO | | Normal zoom | |
| | | YES | | Reversed zoom | |
| | Screen Reverse | NO | | Normal display | |
| | | YES | | Inverted display | |
| | | AUTO | | Automatic display orientation | |
| | Tilt Angle | 200 | | 200° tilt range | |
| | | 180 | | 180° tilt range | |
| | | 60 | | 60° tilt range | |
| | BL. O. P/T Move | NO | | Do not blackout while tilt | |
| | | YES | | Blackout while tilt | |
| | Backlight Timer | 30S | | Display turns off after 30 seconds | |
| | | 1M | | Display turns off after 1 minute | |
| | | 5M | | Display turns off after 5 minutes | |
| ON | | Display stays on | | | |
| Loss of Data | Hold | | Holds last signal received | | |
| | Close | | Blacks out fixture | | |
| Fans | Auto | | Fan speed according to product temperature | | |
| | Full | | Fan speed set on high | | |
| | ECO | | Quiet mode | | |
| Defrost Fan | OFF | | Activate defrost fan | | |
| | ON | | Deactivate defrost fan | | |
| C Mixing Mode | RGBW | | RGBW mode (additive) | | |
| | CMY | | CMY mode (subtractive) | | |

| Main Level | Programming Levels | | Description | |
|------------------|--------------------|--|---|---|
| Setup | Dimmer Curve | Linear Square I Squa SCurve | Set the dimmer curve | |
| | Dimmer Speed | Smooth Fast | Set the dimmer speed | |
| | PWM Option | 600Hz 1200Hz 2000Hz 4000Hz 6000Hz 15000Hz | Sets the Pulse Width Modulation frequency | |
| | Cell Order | 1-16 | Light activates from left to right | |
| | | 16-1 | Light activates from right to left | |
| | Calibrated White | ON | Default light output temperature set to 7500K | |
| | | OFF | Deactivates calibrated white setting | |
| | | Custom | Adjust light output temperature using White Balance setting | |
| | White Balance | Red | 000-255 | Sets red LED maximum value |
| | | Green | | Sets green LED maximum value |
| | | Blue | | Sets blue LED maximum value |
| | | White | | Sets white LED maximum value |
| | Preset Select | PRESET A PRESET B PRESET C | Recorded preset menu options | |
| | Preset Sync | NO | Allows recorded preset menu options to be transferred to other COLORado PXL Bar 16 in the DMX daisy chain | |
| | | YES | | |
| USB Update | NO | Enables/disables updating by USB | | |
| | YES | | | |
| Reset Function | Tilt | NO | Reset individual functions or all functions from startup | |
| | | YES | | |
| | Zoom | NO | | |
| | | YES | | |
| All | NO | | | |
| | YES | | | |
| Factory Settings | NO | Reset to factory default settings | | |
| | YES | | | |
| Information | Firmware Version | | V_ | Shows firmware version |
| | Running Mode | | --- | Shows current running mode |
| | Address | | --- | Shows current starting address |
| | Temperature | | --- | Shows current product temperature in °C |
| | Fixture Time | | ----- | Shows number of hours product has been powered on |
| | LED Hours | | ----- | Shows total hours the LED has been powered on |
| | ArtNet Info | Ip | ----- | Shows current IP address |
| | | SubMask | ----- | Shows current Subnet Mask |
| | | MAC | ----- | Shows current MAC address |
| | Device UID | | ----- | Shows product UID |
| | Fan Information | Head Fan 1-10 | ---- | Shows speed of head fans 1-10 in rpm |
| Defrost Fan 1-2 | | ---- | Shows speed of defrost fans 1-2 in rpm | |
| Base Fan 1-2 | | ---- | Shows speed of base fans 1-2 in rpm | |

QUICK REFERENCE GUIDE



EN

DMX Values

Single Control: Tour Mode (186CH)

| Channel | Function | Value | Percent/Setting |
|---------|--|-----------|---|
| 1 | Tilt | 000 ⇔ 255 | 0–100% |
| 2 | Fine tilt | 000 ⇔ 255 | 0–100% |
| 3 | Tilt speed | 000 ⇔ 255 | 0–100% |
| 4 | CTC | 000 | No function |
| | | 001 ⇔ 255 | Color temperature, 1900–2700 K |
| 5 | Color | 000 ⇔ 255 | see Color Chart |
| 6 | Patterns (see Patterns) | 000 | No function |
| | | 001 ⇔ 255 | Pattern 1–255 |
| 7 | LED macro | 000 ⇔ 255 | see LED Macro |
| 8 | LED macro speed | 000 ⇔ 127 | Auto speed, fast to slow clockwise |
| | | 128 | Stop |
| | | 129 ⇔ 255 | Auto speed, slow to fast counterclockwise |
| 9 | LED macro delay | 000 ⇔ 255 | Fast to slow |
| 10 | Background color | 000 ⇔ 255 | see Color Chart |
| 11 | Background color dimmer | 000 ⇔ 255 | 0–100% |
| 12 | Background color fine dimmer | 000 ⇔ 255 | 0–100% |
| 13 | Dimmer | 000 ⇔ 255 | 0–100% |
| 14 | Fine dimmer | 000 ⇔ 255 | 0–100% |
| 15 | Strobe | 000 ⇔ 255 | see Strobe Settings |
| 16 | Zoom 1 (see Zoom Zones) | 000 ⇔ 255 | Zoom in to zoom out (Zone 1) |
| 17 | Zoom 2 (see Zoom Zones) | 000 ⇔ 255 | Zoom in to zoom out (Zone 2) |
| 18 | Control | 000 ⇔ 255 | see Control Settings |
| 19 | Main red | 000 ⇔ 255 | RGBW Mode: 0–100% / CMY Mode: 100–0% |
| 20 | Main fine red | 000 ⇔ 255 | RGBW Mode: 0–100% / CMY Mode: 100–0% |
| 21 | Main green | 000 ⇔ 255 | RGBW Mode: 0–100% / CMY Mode: 100–0% |
| 22 | Main fine green | 000 ⇔ 255 | RGBW Mode: 0–100% / CMY Mode: 100–0% |
| 23 | Main blue | 000 ⇔ 255 | RGBW Mode: 0–100% / CMY Mode: 100–0% |
| 24 | Main fine blue | 000 ⇔ 255 | RGBW Mode: 0–100% / CMY Mode: 100–0% |
| 25 | Main white | 000 ⇔ 255 | RGBW Mode: 0–100% / CMY Mode: 100–0% |
| 26 | Main fine white | 000 ⇔ 255 | RGBW Mode: 0–100% / CMY Mode: 100–0% |
| 27 | Dimmer 1 | 000 ⇔ 255 | 0–100% |
| 28 | Fine dimmer 1 | 000 ⇔ 255 | 0–100% |
| 29 | Red 1 Cyan 1 | 000 ⇔ 255 | RGBW Mode: 0–100% / CMY Mode: 100–0% |
| 30 | Fine red 1 Fine cyan 1 | 000 ⇔ 255 | RGBW Mode: 0–100% / CMY Mode: 100–0% |
| 31 | Green 1 Magenta 1 | 000 ⇔ 255 | RGBW Mode: 0–100% / CMY Mode: 100–0% |
| 32 | Fine green 1 Fine magenta 1 | 000 ⇔ 255 | RGBW Mode: 0–100% / CMY Mode: 100–0% |
| 33 | Blue 1 Yellow 1 | 000 ⇔ 255 | RGBW Mode: 0–100% / CMY Mode: 100–0% |
| 34 | Fine blue 1 Fine yellow 1 | 000 ⇔ 255 | RGBW Mode: 0–100% / CMY Mode: 100–0% |
| 35 | White 1 | 000 ⇔ 255 | RGBW Mode: 0–100% / CMY Mode: 100–0% |
| 36 | Fine white 1 | 000 ⇔ 255 | RGBW Mode: 0–100% / CMY Mode: 100–0% |
| 37 | Dimmer 2 | 000 ⇔ 255 | 0–100% |
| 38 | Fine dimmer 2 | 000 ⇔ 255 | 0–100% |
| 39 | Red 2 Cyan 2 | 000 ⇔ 255 | RGBW Mode: 0–100% / CMY Mode: 100–0% |
| 40 | Fine red 2 Fine cyan 2 | 000 ⇔ 255 | RGBW Mode: 0–100% / CMY Mode: 100–0% |
| 41 | Green 2 Magenta 2 | 000 ⇔ 255 | RGBW Mode: 0–100% / CMY Mode: 100–0% |
| 42 | Fine green 2 Fine magenta 2 | 000 ⇔ 255 | RGBW Mode: 0–100% / CMY Mode: 100–0% |
| 43 | Blue 2 Yellow 2 | 000 ⇔ 255 | RGBW Mode: 0–100% / CMY Mode: 100–0% |
| 44 | Fine blue 2 Fine yellow 2 | 000 ⇔ 255 | RGBW Mode: 0–100% / CMY Mode: 100–0% |
| 45 | White 2 | 000 ⇔ 255 | RGBW Mode: 0–100% / CMY Mode: 100–0% |

| Channel | Function | Value | Percent/Setting |
|---------|--|-----------|--------------------------------------|
| 46 | Fine white 2 | 000 ⇔ 255 | RGBW Mode: 0–100% / CMY Mode: 100–0% |
| 47 | Dimmer 3 | 000 ⇔ 255 | 0–100% |
| 48 | Fine dimmer 3 | 000 ⇔ 255 | 0–100% |
| 49 | Red 3 Cyan 3 | 000 ⇔ 255 | RGBW Mode: 0–100% / CMY Mode: 100–0% |
| 50 | Fine red 3 Fine cyan 3 | 000 ⇔ 255 | RGBW Mode: 0–100% / CMY Mode: 100–0% |
| 51 | Green 3 Magenta 3 | 000 ⇔ 255 | RGBW Mode: 0–100% / CMY Mode: 100–0% |
| 52 | Fine green 3 Fine magenta 3 | 000 ⇔ 255 | RGBW Mode: 0–100% / CMY Mode: 100–0% |
| 53 | Blue 3 Yellow 3 | 000 ⇔ 255 | RGBW Mode: 0–100% / CMY Mode: 100–0% |
| 54 | Fine blue 3 Fine yellow 3 | 000 ⇔ 255 | RGBW Mode: 0–100% / CMY Mode: 100–0% |
| 55 | White 3 | 000 ⇔ 255 | RGBW Mode: 0–100% / CMY Mode: 100–0% |
| 56 | Fine white 3 | 000 ⇔ 255 | RGBW Mode: 0–100% / CMY Mode: 100–0% |
| 57 | Dimmer 4 | 000 ⇔ 255 | 0–100% |
| 58 | Fine dimmer 4 | 000 ⇔ 255 | 0–100% |
| 59 | Red 4 Cyan 4 | 000 ⇔ 255 | RGBW Mode: 0–100% / CMY Mode: 100–0% |
| 60 | Fine red 4 Fine cyan 4 | 000 ⇔ 255 | RGBW Mode: 0–100% / CMY Mode: 100–0% |
| 61 | Green 4 Magenta 4 | 000 ⇔ 255 | RGBW Mode: 0–100% / CMY Mode: 100–0% |
| 62 | Fine green 4 Fine magenta 4 | 000 ⇔ 255 | RGBW Mode: 0–100% / CMY Mode: 100–0% |
| 63 | Blue 4 Yellow 4 | 000 ⇔ 255 | RGBW Mode: 0–100% / CMY Mode: 100–0% |
| 64 | Fine blue 4 Fine yellow 4 | 000 ⇔ 255 | RGBW Mode: 0–100% / CMY Mode: 100–0% |
| 65 | White 4 | 000 ⇔ 255 | RGBW Mode: 0–100% / CMY Mode: 100–0% |
| 66 | Fine white 4 | 000 ⇔ 255 | RGBW Mode: 0–100% / CMY Mode: 100–0% |
| 67 | Dimmer 5 | 000 ⇔ 255 | 0–100% |
| 68 | Fine dimmer 5 | 000 ⇔ 255 | 0–100% |
| 69 | Red 5 Cyan 5 | 000 ⇔ 255 | RGBW Mode: 0–100% / CMY Mode: 100–0% |
| 70 | Fine red 5 Fine cyan 5 | 000 ⇔ 255 | RGBW Mode: 0–100% / CMY Mode: 100–0% |
| 71 | Green 5 Magenta 5 | 000 ⇔ 255 | RGBW Mode: 0–100% / CMY Mode: 100–0% |
| 72 | Fine green 5 Fine magenta 5 | 000 ⇔ 255 | RGBW Mode: 0–100% / CMY Mode: 100–0% |
| 73 | Blue 5 Yellow 5 | 000 ⇔ 255 | RGBW Mode: 0–100% / CMY Mode: 100–0% |
| 74 | Fine blue 5 Fine yellow 5 | 000 ⇔ 255 | RGBW Mode: 0–100% / CMY Mode: 100–0% |
| 75 | White 5 | 000 ⇔ 255 | RGBW Mode: 0–100% / CMY Mode: 100–0% |
| 76 | Fine white 5 | 000 ⇔ 255 | RGBW Mode: 0–100% / CMY Mode: 100–0% |
| 77 | Dimmer 6 | 000 ⇔ 255 | 0–100% |
| 78 | Fine dimmer 6 | 000 ⇔ 255 | 0–100% |
| 79 | Red 6 Cyan 6 | 000 ⇔ 255 | RGBW Mode: 0–100% / CMY Mode: 100–0% |
| 80 | Fine red 6 Fine cyan 6 | 000 ⇔ 255 | RGBW Mode: 0–100% / CMY Mode: 100–0% |
| 81 | Green 6 Magenta 6 | 000 ⇔ 255 | RGBW Mode: 0–100% / CMY Mode: 100–0% |
| 82 | Fine green 6 Fine magenta 6 | 000 ⇔ 255 | RGBW Mode: 0–100% / CMY Mode: 100–0% |
| 83 | Blue 6 Yellow 6 | 000 ⇔ 255 | RGBW Mode: 0–100% / CMY Mode: 100–0% |
| 84 | Fine blue 6 Fine yellow 6 | 000 ⇔ 255 | RGBW Mode: 0–100% / CMY Mode: 100–0% |
| 85 | White 6 | 000 ⇔ 255 | RGBW Mode: 0–100% / CMY Mode: 100–0% |
| 86 | Fine white 6 | 000 ⇔ 255 | RGBW Mode: 0–100% / CMY Mode: 100–0% |
| 87 | Dimmer 7 | 000 ⇔ 255 | 0–100% |
| 88 | Fine dimmer 7 | 000 ⇔ 255 | 0–100% |
| 89 | Red 7 Cyan 7 | 000 ⇔ 255 | RGBW Mode: 0–100% / CMY Mode: 100–0% |
| 90 | Fine red 7 Fine cyan 7 | 000 ⇔ 255 | RGBW Mode: 0–100% / CMY Mode: 100–0% |
| 91 | Green 7 Magenta 7 | 000 ⇔ 255 | RGBW Mode: 0–100% / CMY Mode: 100–0% |
| 92 | Fine green 7 Fine magenta 7 | 000 ⇔ 255 | RGBW Mode: 0–100% / CMY Mode: 100–0% |
| 93 | Blue 7 Yellow 7 | 000 ⇔ 255 | RGBW Mode: 0–100% / CMY Mode: 100–0% |
| 94 | Fine blue 7 Fine yellow 7 | 000 ⇔ 255 | RGBW Mode: 0–100% / CMY Mode: 100–0% |
| 95 | White 7 | 000 ⇔ 255 | RGBW Mode: 0–100% / CMY Mode: 100–0% |
| 96 | Fine white 7 | 000 ⇔ 255 | RGBW Mode: 0–100% / CMY Mode: 100–0% |

QUICK REFERENCE GUIDE



EN

| Channel | Function | Value | Percent/Setting |
|---------|--|-----------|--------------------------------------|
| 97 | Dimmer 8 | 000 ⇄ 255 | 0–100% |
| 98 | Fine dimmer 8 | 000 ⇄ 255 | 0–100% |
| 99 | Red 8 Cyan 8 | 000 ⇄ 255 | RGBW Mode: 0–100% / CMY Mode: 100–0% |
| 100 | Fine red 8 Fine cyan 8 | 000 ⇄ 255 | RGBW Mode: 0–100% / CMY Mode: 100–0% |
| 101 | Green 8 Magenta 8 | 000 ⇄ 255 | RGBW Mode: 0–100% / CMY Mode: 100–0% |
| 102 | Fine green 8 Fine magenta 8 | 000 ⇄ 255 | RGBW Mode: 0–100% / CMY Mode: 100–0% |
| 103 | Blue 8 Yellow 8 | 000 ⇄ 255 | RGBW Mode: 0–100% / CMY Mode: 100–0% |
| 104 | Fine blue 8 Fine yellow 8 | 000 ⇄ 255 | RGBW Mode: 0–100% / CMY Mode: 100–0% |
| 105 | White 8 | 000 ⇄ 255 | RGBW Mode: 0–100% / CMY Mode: 100–0% |
| 106 | Fine white 8 | 000 ⇄ 255 | RGBW Mode: 0–100% / CMY Mode: 100–0% |
| 107 | Dimmer 9 | 000 ⇄ 255 | 0–100% |
| 108 | Fine dimmer 9 | 000 ⇄ 255 | 0–100% |
| 109 | Red 9 Cyan 9 | 000 ⇄ 255 | RGBW Mode: 0–100% / CMY Mode: 100–0% |
| 110 | Fine red 9 Fine cyan 9 | 000 ⇄ 255 | RGBW Mode: 0–100% / CMY Mode: 100–0% |
| 111 | Green 9 Magenta 9 | 000 ⇄ 255 | RGBW Mode: 0–100% / CMY Mode: 100–0% |
| 112 | Fine green 9 Fine magenta 9 | 000 ⇄ 255 | RGBW Mode: 0–100% / CMY Mode: 100–0% |
| 113 | Blue 9 Yellow 9 | 000 ⇄ 255 | RGBW Mode: 0–100% / CMY Mode: 100–0% |
| 114 | Fine blue 9 Fine yellow 9 | 000 ⇄ 255 | RGBW Mode: 0–100% / CMY Mode: 100–0% |
| 115 | White 9 | 000 ⇄ 255 | RGBW Mode: 0–100% / CMY Mode: 100–0% |
| 116 | Fine white 9 | 000 ⇄ 255 | RGBW Mode: 0–100% / CMY Mode: 100–0% |
| 117 | Dimmer 10 | 000 ⇄ 255 | 0–100% |
| 118 | Fine dimmer 10 | 000 ⇄ 255 | 0–100% |
| 119 | Red 10 Cyan 10 | 000 ⇄ 255 | RGBW Mode: 0–100% / CMY Mode: 100–0% |
| 120 | Fine red 10 Fine cyan 10 | 000 ⇄ 255 | RGBW Mode: 0–100% / CMY Mode: 100–0% |
| 121 | Green 10 Magenta 10 | 000 ⇄ 255 | RGBW Mode: 0–100% / CMY Mode: 100–0% |
| 122 | Fine green 10 Fine magenta 10 | 000 ⇄ 255 | RGBW Mode: 0–100% / CMY Mode: 100–0% |
| 123 | Blue 10 Yellow 10 | 000 ⇄ 255 | RGBW Mode: 0–100% / CMY Mode: 100–0% |
| 124 | Fine blue 10 Fine yellow 10 | 000 ⇄ 255 | RGBW Mode: 0–100% / CMY Mode: 100–0% |
| 125 | White 10 | 000 ⇄ 255 | RGBW Mode: 0–100% / CMY Mode: 100–0% |
| 126 | Fine white 10 | 000 ⇄ 255 | RGBW Mode: 0–100% / CMY Mode: 100–0% |
| 127 | Dimmer 11 | 000 ⇄ 255 | 0–100% |
| 128 | Fine dimmer 11 | 000 ⇄ 255 | 0–100% |
| 129 | Red 11 Cyan 11 | 000 ⇄ 255 | RGBW Mode: 0–100% / CMY Mode: 100–0% |
| 130 | Fine red 11 Fine cyan 11 | 000 ⇄ 255 | RGBW Mode: 0–100% / CMY Mode: 100–0% |
| 131 | Green 11 Magenta 11 | 000 ⇄ 255 | RGBW Mode: 0–100% / CMY Mode: 100–0% |
| 132 | Fine green 11 Fine magenta 11 | 000 ⇄ 255 | RGBW Mode: 0–100% / CMY Mode: 100–0% |
| 133 | Blue 11 Yellow 11 | 000 ⇄ 255 | RGBW Mode: 0–100% / CMY Mode: 100–0% |
| 134 | Fine blue 11 Fine yellow 11 | 000 ⇄ 255 | RGBW Mode: 0–100% / CMY Mode: 100–0% |
| 135 | White 11 | 000 ⇄ 255 | RGBW Mode: 0–100% / CMY Mode: 100–0% |
| 136 | Fine white 11 | 000 ⇄ 255 | RGBW Mode: 0–100% / CMY Mode: 100–0% |
| 137 | Dimmer 12 | 000 ⇄ 255 | 0–100% |
| 138 | Fine dimmer 12 | 000 ⇄ 255 | 0–100% |
| 139 | Red 12 Cyan 12 | 000 ⇄ 255 | RGBW Mode: 0–100% / CMY Mode: 100–0% |
| 140 | Fine red 12 Fine cyan 12 | 000 ⇄ 255 | RGBW Mode: 0–100% / CMY Mode: 100–0% |
| 141 | Green 12 Magenta 12 | 000 ⇄ 255 | RGBW Mode: 0–100% / CMY Mode: 100–0% |
| 142 | Fine green 12 Fine magenta 12 | 000 ⇄ 255 | RGBW Mode: 0–100% / CMY Mode: 100–0% |
| 143 | Blue 12 Yellow 12 | 000 ⇄ 255 | RGBW Mode: 0–100% / CMY Mode: 100–0% |
| 144 | Fine blue 12 Fine yellow 12 | 000 ⇄ 255 | RGBW Mode: 0–100% / CMY Mode: 100–0% |
| 145 | White 12 | 000 ⇄ 255 | RGBW Mode: 0–100% / CMY Mode: 100–0% |
| 146 | Fine white 12 | 000 ⇄ 255 | RGBW Mode: 0–100% / CMY Mode: 100–0% |

| Channel | Function | Value | Percent/Setting |
|---------|-----------------------------------|-----------|--------------------------------------|
| 147 | Dimmer 13 | 000 ⇔ 255 | 0–100% |
| 148 | Fine dimmer 13 | 000 ⇔ 255 | 0–100% |
| 149 | Red 13 Cyan 13 | 000 ⇔ 255 | RGBW Mode: 0–100% / CMY Mode: 100–0% |
| 150 | Fine red 13 Fine cyan 13 | 000 ⇔ 255 | RGBW Mode: 0–100% / CMY Mode: 100–0% |
| 151 | Green 13 Magenta 13 | 000 ⇔ 255 | RGBW Mode: 0–100% / CMY Mode: 100–0% |
| 152 | Fine green 13 Fine magenta 13 | 000 ⇔ 255 | RGBW Mode: 0–100% / CMY Mode: 100–0% |
| 153 | Blue 13 Yellow 13 | 000 ⇔ 255 | RGBW Mode: 0–100% / CMY Mode: 100–0% |
| 154 | Fine blue 13 Fine yellow 13 | 000 ⇔ 255 | RGBW Mode: 0–100% / CMY Mode: 100–0% |
| 155 | White 13 | 000 ⇔ 255 | RGBW Mode: 0–100% / CMY Mode: 100–0% |
| 156 | Fine white 13 | 000 ⇔ 255 | RGBW Mode: 0–100% / CMY Mode: 100–0% |
| 157 | Dimmer 14 | 000 ⇔ 255 | 0–100% |
| 158 | Fine dimmer 14 | 000 ⇔ 255 | 0–100% |
| 159 | Red 14 Cyan 14 | 000 ⇔ 255 | RGBW Mode: 0–100% / CMY Mode: 100–0% |
| 160 | Fine red 14 Fine cyan 14 | 000 ⇔ 255 | RGBW Mode: 0–100% / CMY Mode: 100–0% |
| 161 | Green 14 Magenta 14 | 000 ⇔ 255 | RGBW Mode: 0–100% / CMY Mode: 100–0% |
| 162 | Fine green 14 Fine magenta 14 | 000 ⇔ 255 | RGBW Mode: 0–100% / CMY Mode: 100–0% |
| 163 | Blue 14 Yellow 14 | 000 ⇔ 255 | RGBW Mode: 0–100% / CMY Mode: 100–0% |
| 164 | Fine blue 14 Fine yellow 14 | 000 ⇔ 255 | RGBW Mode: 0–100% / CMY Mode: 100–0% |
| 165 | White 14 | 000 ⇔ 255 | RGBW Mode: 0–100% / CMY Mode: 100–0% |
| 166 | Fine white 14 | 000 ⇔ 255 | RGBW Mode: 0–100% / CMY Mode: 100–0% |
| 167 | Dimmer 15 | 000 ⇔ 255 | 0–100% |
| 168 | Fine dimmer 15 | 000 ⇔ 255 | 0–100% |
| 169 | Red 15 Cyan 15 | 000 ⇔ 255 | RGBW Mode: 0–100% / CMY Mode: 100–0% |
| 170 | Fine red 15 Fine cyan 15 | 000 ⇔ 255 | RGBW Mode: 0–100% / CMY Mode: 100–0% |
| 171 | Green 15 Magenta 15 | 000 ⇔ 255 | RGBW Mode: 0–100% / CMY Mode: 100–0% |
| 172 | Fine green 15 Fine magenta 15 | 000 ⇔ 255 | RGBW Mode: 0–100% / CMY Mode: 100–0% |
| 173 | Blue 15 Yellow 15 | 000 ⇔ 255 | RGBW Mode: 0–100% / CMY Mode: 100–0% |
| 174 | Fine blue 15 Fine yellow 15 | 000 ⇔ 255 | RGBW Mode: 0–100% / CMY Mode: 100–0% |
| 175 | White 15 | 000 ⇔ 255 | RGBW Mode: 0–100% / CMY Mode: 100–0% |
| 176 | Fine white 15 | 000 ⇔ 255 | RGBW Mode: 0–100% / CMY Mode: 100–0% |
| 177 | Dimmer 16 | 000 ⇔ 255 | 0–100% |
| 178 | Fine dimmer 16 | 000 ⇔ 255 | 0–100% |
| 179 | Red 16 Cyan 16 | 000 ⇔ 255 | RGBW Mode: 0–100% / CMY Mode: 100–0% |
| 180 | Fine red 16 Fine cyan 16 | 000 ⇔ 255 | RGBW Mode: 0–100% / CMY Mode: 100–0% |
| 181 | Green 16 Magenta 16 | 000 ⇔ 255 | RGBW Mode: 0–100% / CMY Mode: 100–0% |
| 182 | Fine green 16 Fine magenta 16 | 000 ⇔ 255 | RGBW Mode: 0–100% / CMY Mode: 100–0% |
| 183 | Blue 16 Yellow 16 | 000 ⇔ 255 | RGBW Mode: 0–100% / CMY Mode: 100–0% |
| 184 | Fine blue 16 Fine yellow 16 | 000 ⇔ 255 | RGBW Mode: 0–100% / CMY Mode: 100–0% |
| 185 | White 16 | 000 ⇔ 255 | RGBW Mode: 0–100% / CMY Mode: 100–0% |
| 186 | Fine white 16 | 000 ⇔ 255 | RGBW Mode: 0–100% / CMY Mode: 100–0% |

Single Control: Advanced Mode (154CH)

| Channel | Function | Value | Percent/Setting |
|---------|--|-----------|---|
| 1 | Tilt | 000 ⇄ 255 | 0–100% |
| 2 | Fine tilt | 000 ⇄ 255 | 0–100% |
| 3 | Tilt speed | 000 ⇄ 255 | 0–100% |
| 4 | CTC | 000 | No function |
| | | 001 ⇄ 255 | Color temperature, 1900–2700 K |
| 5 | Color | 000 ⇄ 255 | see Color Chart |
| 6 | Patterns (see Patterns) | 000 | No function |
| | | 001 ⇄ 255 | Pattern 1–255 |
| 7 | LED macro | 000 ⇄ 255 | see LED Macro |
| 8 | LED macro speed | 000 ⇄ 127 | Auto speed, fast to slow clockwise |
| | | 128 | Stop |
| | | 129 ⇄ 255 | Auto speed, slow to fast counterclockwise |
| 9 | LED macro delay | 000 ⇄ 255 | Fast to slow |
| 10 | Background color | 000 ⇄ 255 | see Color Chart |
| 11 | Background color dimmer | 000 ⇄ 255 | 0–100% |
| 12 | Background color fine dimmer | 000 ⇄ 255 | 0–100% |
| 13 | Dimmer | 000 ⇄ 255 | 0–100% |
| 14 | Fine dimmer | 000 ⇄ 255 | 0–100% |
| 15 | Strobe | 000 ⇄ 255 | see Strobe Settings |
| 16 | Zoom 1 (see Zoom Zones) | 000 ⇄ 255 | Zoom in to zoom out (Zone 1) |
| 17 | Zoom 2 (see Zoom Zones) | 000 ⇄ 255 | Zoom in to zoom out (Zone 2) |
| 18 | Control | 000 ⇄ 255 | see Control Settings |
| 19 | Main red | 000 ⇄ 255 | RGBW Mode: 0–100% / CMY Mode: 100–0% |
| 20 | Main fine red | 000 ⇄ 255 | RGBW Mode: 0–100% / CMY Mode: 100–0% |
| 21 | Main green | 000 ⇄ 255 | RGBW Mode: 0–100% / CMY Mode: 100–0% |
| 22 | Main fine green | 000 ⇄ 255 | RGBW Mode: 0–100% / CMY Mode: 100–0% |
| 23 | Main blue | 000 ⇄ 255 | RGBW Mode: 0–100% / CMY Mode: 100–0% |
| 24 | Main fine blue | 000 ⇄ 255 | RGBW Mode: 0–100% / CMY Mode: 100–0% |
| 25 | Main white | 000 ⇄ 255 | RGBW Mode: 0–100% / CMY Mode: 100–0% |
| 26 | Main fine white | 000 ⇄ 255 | RGBW Mode: 0–100% / CMY Mode: 100–0% |
| 27 | Red 1 Cyan 1 | 000 ⇄ 255 | RGBW Mode: 0–100% / CMY Mode: 100–0% |
| 28 | Fine red 1 Fine cyan 1 | 000 ⇄ 255 | RGBW Mode: 0–100% / CMY Mode: 100–0% |
| 29 | Green 1 Magenta 1 | 000 ⇄ 255 | RGBW Mode: 0–100% / CMY Mode: 100–0% |
| 30 | Fine green 1 Fine magenta 1 | 000 ⇄ 255 | RGBW Mode: 0–100% / CMY Mode: 100–0% |
| 31 | Blue 1 Yellow 1 | 000 ⇄ 255 | RGBW Mode: 0–100% / CMY Mode: 100–0% |
| 32 | Fine blue 1 Fine yellow 1 | 000 ⇄ 255 | RGBW Mode: 0–100% / CMY Mode: 100–0% |
| 33 | White 1 | 000 ⇄ 255 | RGBW Mode: 0–100% / CMY Mode: 100–0% |
| 34 | Fine white 1 | 000 ⇄ 255 | RGBW Mode: 0–100% / CMY Mode: 100–0% |
| 35 | Red 2 Cyan 2 | 000 ⇄ 255 | RGBW Mode: 0–100% / CMY Mode: 100–0% |
| 36 | Fine red 2 Fine cyan 2 | 000 ⇄ 255 | RGBW Mode: 0–100% / CMY Mode: 100–0% |
| 37 | Green 2 Magenta 2 | 000 ⇄ 255 | RGBW Mode: 0–100% / CMY Mode: 100–0% |
| 38 | Fine green 2 Fine magenta 2 | 000 ⇄ 255 | RGBW Mode: 0–100% / CMY Mode: 100–0% |
| 39 | Blue 2 Yellow 2 | 000 ⇄ 255 | RGBW Mode: 0–100% / CMY Mode: 100–0% |
| 40 | Fine blue 2 Fine yellow 2 | 000 ⇄ 255 | RGBW Mode: 0–100% / CMY Mode: 100–0% |
| 41 | White 2 | 000 ⇄ 255 | RGBW Mode: 0–100% / CMY Mode: 100–0% |
| 42 | Fine white 2 | 000 ⇄ 255 | RGBW Mode: 0–100% / CMY Mode: 100–0% |
| 43 | Red 3 Cyan 3 | 000 ⇄ 255 | RGBW Mode: 0–100% / CMY Mode: 100–0% |
| 44 | Fine red 3 Fine cyan 3 | 000 ⇄ 255 | RGBW Mode: 0–100% / CMY Mode: 100–0% |
| 45 | Green 3 Magenta 3 | 000 ⇄ 255 | RGBW Mode: 0–100% / CMY Mode: 100–0% |
| 46 | Fine green 3 Fine magenta 3 | 000 ⇄ 255 | RGBW Mode: 0–100% / CMY Mode: 100–0% |

| Channel | Function | Value | Percent/Setting |
|---------|----------------------------------|-----------|--------------------------------------|
| 47 | Blue 3 Yellow 3 | 000 ⇔ 255 | RGBW Mode: 0–100% / CMY Mode: 100–0% |
| 48 | Fine blue 3 Fine yellow 3 | 000 ⇔ 255 | RGBW Mode: 0–100% / CMY Mode: 100–0% |
| 49 | White 3 | 000 ⇔ 255 | RGBW Mode: 0–100% / CMY Mode: 100–0% |
| 50 | Fine white 3 | 000 ⇔ 255 | RGBW Mode: 0–100% / CMY Mode: 100–0% |
| 51 | Red 4 Cyan 4 | 000 ⇔ 255 | RGBW Mode: 0–100% / CMY Mode: 100–0% |
| 52 | Fine red 4 Fine cyan 4 | 000 ⇔ 255 | RGBW Mode: 0–100% / CMY Mode: 100–0% |
| 53 | Green 4 Magenta 4 | 000 ⇔ 255 | RGBW Mode: 0–100% / CMY Mode: 100–0% |
| 54 | Fine green 4 Fine magenta 4 | 000 ⇔ 255 | RGBW Mode: 0–100% / CMY Mode: 100–0% |
| 55 | Blue 4 Yellow 4 | 000 ⇔ 255 | RGBW Mode: 0–100% / CMY Mode: 100–0% |
| 56 | Fine blue 4 Fine yellow 4 | 000 ⇔ 255 | RGBW Mode: 0–100% / CMY Mode: 100–0% |
| 57 | White 4 | 000 ⇔ 255 | RGBW Mode: 0–100% / CMY Mode: 100–0% |
| 58 | Fine white 4 | 000 ⇔ 255 | RGBW Mode: 0–100% / CMY Mode: 100–0% |
| 59 | Red 5 Cyan 5 | 000 ⇔ 255 | RGBW Mode: 0–100% / CMY Mode: 100–0% |
| 60 | Fine red 5 Fine cyan 5 | 000 ⇔ 255 | RGBW Mode: 0–100% / CMY Mode: 100–0% |
| 61 | Green 5 Magenta 5 | 000 ⇔ 255 | RGBW Mode: 0–100% / CMY Mode: 100–0% |
| 62 | Fine green 5 Fine magenta 5 | 000 ⇔ 255 | RGBW Mode: 0–100% / CMY Mode: 100–0% |
| 63 | Blue 5 Yellow 5 | 000 ⇔ 255 | RGBW Mode: 0–100% / CMY Mode: 100–0% |
| 64 | Fine blue 5 Fine yellow 5 | 000 ⇔ 255 | RGBW Mode: 0–100% / CMY Mode: 100–0% |
| 65 | White 5 | 000 ⇔ 255 | RGBW Mode: 0–100% / CMY Mode: 100–0% |
| 66 | Fine white 5 | 000 ⇔ 255 | RGBW Mode: 0–100% / CMY Mode: 100–0% |
| 67 | Red 6 Cyan 6 | 000 ⇔ 255 | RGBW Mode: 0–100% / CMY Mode: 100–0% |
| 68 | Fine red 6 Fine cyan 6 | 000 ⇔ 255 | RGBW Mode: 0–100% / CMY Mode: 100–0% |
| 69 | Green 6 Magenta 6 | 000 ⇔ 255 | RGBW Mode: 0–100% / CMY Mode: 100–0% |
| 70 | Fine green 6 Fine magenta 6 | 000 ⇔ 255 | RGBW Mode: 0–100% / CMY Mode: 100–0% |
| 71 | Blue 6 Yellow 6 | 000 ⇔ 255 | RGBW Mode: 0–100% / CMY Mode: 100–0% |
| 72 | Fine blue 6 Fine yellow 6 | 000 ⇔ 255 | RGBW Mode: 0–100% / CMY Mode: 100–0% |
| 73 | White 6 | 000 ⇔ 255 | RGBW Mode: 0–100% / CMY Mode: 100–0% |
| 74 | Fine white 6 | 000 ⇔ 255 | RGBW Mode: 0–100% / CMY Mode: 100–0% |
| 75 | Red 7 Cyan 7 | 000 ⇔ 255 | RGBW Mode: 0–100% / CMY Mode: 100–0% |
| 76 | Fine red 7 Fine cyan 7 | 000 ⇔ 255 | RGBW Mode: 0–100% / CMY Mode: 100–0% |
| 77 | Green 7 Magenta 7 | 000 ⇔ 255 | RGBW Mode: 0–100% / CMY Mode: 100–0% |
| 78 | Fine green 7 Fine magenta 7 | 000 ⇔ 255 | RGBW Mode: 0–100% / CMY Mode: 100–0% |
| 79 | Blue 7 Yellow 7 | 000 ⇔ 255 | RGBW Mode: 0–100% / CMY Mode: 100–0% |
| 80 | Fine blue 7 Fine yellow 7 | 000 ⇔ 255 | RGBW Mode: 0–100% / CMY Mode: 100–0% |
| 81 | White 7 | 000 ⇔ 255 | RGBW Mode: 0–100% / CMY Mode: 100–0% |
| 82 | Fine white 7 | 000 ⇔ 255 | RGBW Mode: 0–100% / CMY Mode: 100–0% |
| 83 | Red 8 Cyan 8 | 000 ⇔ 255 | RGBW Mode: 0–100% / CMY Mode: 100–0% |
| 84 | Fine red 8 Fine cyan 8 | 000 ⇔ 255 | RGBW Mode: 0–100% / CMY Mode: 100–0% |
| 85 | Green 8 Magenta 8 | 000 ⇔ 255 | RGBW Mode: 0–100% / CMY Mode: 100–0% |
| 86 | Fine green 8 Fine magenta 8 | 000 ⇔ 255 | RGBW Mode: 0–100% / CMY Mode: 100–0% |
| 87 | Blue 8 Yellow 8 | 000 ⇔ 255 | RGBW Mode: 0–100% / CMY Mode: 100–0% |
| 88 | Fine blue 8 Fine yellow 8 | 000 ⇔ 255 | RGBW Mode: 0–100% / CMY Mode: 100–0% |
| 89 | White 8 | 000 ⇔ 255 | RGBW Mode: 0–100% / CMY Mode: 100–0% |
| 90 | Fine white 8 | 000 ⇔ 255 | RGBW Mode: 0–100% / CMY Mode: 100–0% |
| 91 | Red 9 Cyan 9 | 000 ⇔ 255 | RGBW Mode: 0–100% / CMY Mode: 100–0% |
| 92 | Fine red 9 Fine cyan 9 | 000 ⇔ 255 | RGBW Mode: 0–100% / CMY Mode: 100–0% |
| 93 | Green 9 Magenta 9 | 000 ⇔ 255 | RGBW Mode: 0–100% / CMY Mode: 100–0% |
| 94 | Fine green 9 Fine magenta 9 | 000 ⇔ 255 | RGBW Mode: 0–100% / CMY Mode: 100–0% |
| 95 | Blue 9 Yellow 9 | 000 ⇔ 255 | RGBW Mode: 0–100% / CMY Mode: 100–0% |
| 96 | Fine blue 9 Fine yellow 9 | 000 ⇔ 255 | RGBW Mode: 0–100% / CMY Mode: 100–0% |
| 97 | White 9 | 000 ⇔ 255 | RGBW Mode: 0–100% / CMY Mode: 100–0% |

QUICK REFERENCE GUIDE



EN

| Channel | Function | Value | Percent/Setting |
|---------|------------------------------------|-----------|--------------------------------------|
| 98 | Fine white 9 | 000 ⇔ 255 | RGBW Mode: 0–100% / CMY Mode: 100–0% |
| 99 | Red 10 Cyan 10 | 000 ⇔ 255 | RGBW Mode: 0–100% / CMY Mode: 100–0% |
| 100 | Fine red 10 Fine cyan 10 | 000 ⇔ 255 | RGBW Mode: 0–100% / CMY Mode: 100–0% |
| 101 | Green 10 Magenta 10 | 000 ⇔ 255 | RGBW Mode: 0–100% / CMY Mode: 100–0% |
| 102 | Fine green 10 Fine magenta 10 | 000 ⇔ 255 | RGBW Mode: 0–100% / CMY Mode: 100–0% |
| 103 | Blue 10 Yellow 10 | 000 ⇔ 255 | RGBW Mode: 0–100% / CMY Mode: 100–0% |
| 104 | Fine blue 10 Fine yellow 10 | 000 ⇔ 255 | RGBW Mode: 0–100% / CMY Mode: 100–0% |
| 105 | White 10 | 000 ⇔ 255 | RGBW Mode: 0–100% / CMY Mode: 100–0% |
| 106 | Fine white 10 | 000 ⇔ 255 | RGBW Mode: 0–100% / CMY Mode: 100–0% |
| 107 | Red 11 Cyan 11 | 000 ⇔ 255 | RGBW Mode: 0–100% / CMY Mode: 100–0% |
| 108 | Fine red 11 Fine cyan 11 | 000 ⇔ 255 | RGBW Mode: 0–100% / CMY Mode: 100–0% |
| 109 | Green 11 Magenta 11 | 000 ⇔ 255 | RGBW Mode: 0–100% / CMY Mode: 100–0% |
| 110 | Fine green 11 Fine magenta 11 | 000 ⇔ 255 | RGBW Mode: 0–100% / CMY Mode: 100–0% |
| 111 | Blue 11 Yellow 11 | 000 ⇔ 255 | RGBW Mode: 0–100% / CMY Mode: 100–0% |
| 112 | Fine blue 11 Fine yellow 11 | 000 ⇔ 255 | RGBW Mode: 0–100% / CMY Mode: 100–0% |
| 113 | White 11 | 000 ⇔ 255 | RGBW Mode: 0–100% / CMY Mode: 100–0% |
| 114 | Fine white 11 | 000 ⇔ 255 | RGBW Mode: 0–100% / CMY Mode: 100–0% |
| 115 | Red 12 Cyan 12 | 000 ⇔ 255 | RGBW Mode: 0–100% / CMY Mode: 100–0% |
| 116 | Fine red 12 Fine cyan 12 | 000 ⇔ 255 | RGBW Mode: 0–100% / CMY Mode: 100–0% |
| 117 | Green 12 Magenta 12 | 000 ⇔ 255 | RGBW Mode: 0–100% / CMY Mode: 100–0% |
| 118 | Fine green 12 Fine magenta 12 | 000 ⇔ 255 | RGBW Mode: 0–100% / CMY Mode: 100–0% |
| 119 | Blue 12 Yellow 12 | 000 ⇔ 255 | RGBW Mode: 0–100% / CMY Mode: 100–0% |
| 120 | Fine blue 12 Fine yellow 12 | 000 ⇔ 255 | RGBW Mode: 0–100% / CMY Mode: 100–0% |
| 121 | White 12 | 000 ⇔ 255 | RGBW Mode: 0–100% / CMY Mode: 100–0% |
| 122 | Fine white 12 | 000 ⇔ 255 | RGBW Mode: 0–100% / CMY Mode: 100–0% |
| 123 | Red 13 Cyan 13 | 000 ⇔ 255 | RGBW Mode: 0–100% / CMY Mode: 100–0% |
| 124 | Fine red 13 Fine cyan 13 | 000 ⇔ 255 | RGBW Mode: 0–100% / CMY Mode: 100–0% |
| 125 | Green 13 Magenta 13 | 000 ⇔ 255 | RGBW Mode: 0–100% / CMY Mode: 100–0% |
| 126 | Fine green 13 Fine magenta 13 | 000 ⇔ 255 | RGBW Mode: 0–100% / CMY Mode: 100–0% |
| 127 | Blue 13 Yellow 13 | 000 ⇔ 255 | RGBW Mode: 0–100% / CMY Mode: 100–0% |
| 128 | Fine blue 13 Fine yellow 13 | 000 ⇔ 255 | RGBW Mode: 0–100% / CMY Mode: 100–0% |
| 129 | White 13 | 000 ⇔ 255 | RGBW Mode: 0–100% / CMY Mode: 100–0% |
| 130 | Fine white 13 | 000 ⇔ 255 | RGBW Mode: 0–100% / CMY Mode: 100–0% |
| 131 | Red 14 Cyan 14 | 000 ⇔ 255 | RGBW Mode: 0–100% / CMY Mode: 100–0% |
| 132 | Fine red 14 Fine cyan 14 | 000 ⇔ 255 | RGBW Mode: 0–100% / CMY Mode: 100–0% |
| 133 | Green 14 Magenta 14 | 000 ⇔ 255 | RGBW Mode: 0–100% / CMY Mode: 100–0% |
| 134 | Fine green 14 Fine magenta 14 | 000 ⇔ 255 | RGBW Mode: 0–100% / CMY Mode: 100–0% |
| 135 | Blue 14 Yellow 14 | 000 ⇔ 255 | RGBW Mode: 0–100% / CMY Mode: 100–0% |
| 136 | Fine blue 14 Fine yellow 14 | 000 ⇔ 255 | RGBW Mode: 0–100% / CMY Mode: 100–0% |
| 137 | White 14 | 000 ⇔ 255 | RGBW Mode: 0–100% / CMY Mode: 100–0% |
| 138 | Fine white 14 | 000 ⇔ 255 | RGBW Mode: 0–100% / CMY Mode: 100–0% |
| 139 | Red 15 Cyan 15 | 000 ⇔ 255 | RGBW Mode: 0–100% / CMY Mode: 100–0% |
| 140 | Fine red 15 Fine cyan 15 | 000 ⇔ 255 | RGBW Mode: 0–100% / CMY Mode: 100–0% |
| 141 | Green 15 Magenta 15 | 000 ⇔ 255 | RGBW Mode: 0–100% / CMY Mode: 100–0% |
| 142 | Fine green 15 Fine magenta 15 | 000 ⇔ 255 | RGBW Mode: 0–100% / CMY Mode: 100–0% |
| 143 | Blue 15 Yellow 15 | 000 ⇔ 255 | RGBW Mode: 0–100% / CMY Mode: 100–0% |
| 144 | Fine blue 15 Fine yellow 15 | 000 ⇔ 255 | RGBW Mode: 0–100% / CMY Mode: 100–0% |
| 145 | White 15 | 000 ⇔ 255 | RGBW Mode: 0–100% / CMY Mode: 100–0% |
| 146 | Fine white 15 | 000 ⇔ 255 | RGBW Mode: 0–100% / CMY Mode: 100–0% |
| 147 | Red 16 Cyan 16 | 000 ⇔ 255 | RGBW Mode: 0–100% / CMY Mode: 100–0% |
| 148 | Fine red 16 Fine cyan 16 | 000 ⇔ 255 | RGBW Mode: 0–100% / CMY Mode: 100–0% |

| Channel | Function | Value | Percent/Setting |
|---------|------------------------------------|-----------|--------------------------------------|
| 149 | Green 16 Magenta 16 | 000 ⇔ 255 | RGBW Mode: 0–100% / CMY Mode: 100–0% |
| 150 | Fine green 16 Fine magenta 16 | 000 ⇔ 255 | RGBW Mode: 0–100% / CMY Mode: 100–0% |
| 151 | Blue 16 Yellow 16 | 000 ⇔ 255 | RGBW Mode: 0–100% / CMY Mode: 100–0% |
| 152 | Fine blue 16 Fine yellow 16 | 000 ⇔ 255 | RGBW Mode: 0–100% / CMY Mode: 100–0% |
| 153 | White 16 | 000 ⇔ 255 | RGBW Mode: 0–100% / CMY Mode: 100–0% |
| 154 | Fine white 16 | 000 ⇔ 255 | RGBW Mode: 0–100% / CMY Mode: 100–0% |

Single Control: Standard Mode (84CH)

| Channel | Function | Value | Percent/Setting |
|---------|--|-----------|---|
| 1 | Tilt | 000 ⇔ 255 | 0–100% |
| 2 | Fine tilt | 000 ⇔ 255 | 0–100% |
| 3 | Tilt speed | 000 ⇔ 255 | 0–100% |
| 4 | CTC | 000 | No function |
| | | 001 ⇔ 255 | Color temperature, 1900–2700 K |
| 5 | Color | 000 ⇔ 255 | see Color Chart |
| 6 | Patterns (see Patterns) | 000 | No function |
| | | 001 ⇔ 255 | Pattern 1–255 |
| 7 | LED macro | 000 ⇔ 255 | see LED Macro |
| 8 | LED macro speed | 000 ⇔ 127 | Auto speed, fast to slow clockwise |
| | | 128 | Stop |
| | | 129 ⇔ 255 | Auto speed, slow to fast counterclockwise |
| 9 | LED macro delay | 000 ⇔ 255 | Fast to slow |
| 10 | Background color | 000 ⇔ 255 | see Color Chart |
| 11 | Background color dimmer | 000 ⇔ 255 | 0–100% |
| 12 | Dimmer | 000 ⇔ 255 | 0–100% |
| 13 | Strobe | 000 ⇔ 255 | see Strobe Settings |
| 14 | Zoom 1 (see Zoom Zones) | 000 ⇔ 255 | Zoom in to zoom out (Zone 1) |
| 15 | Zoom 2 (see Zoom Zones) | 000 ⇔ 255 | Zoom in to zoom out (Zone 2) |
| 16 | Control | 000 ⇔ 255 | see Control Settings |
| 17 | Main red | 000 ⇔ 255 | RGBW Mode: 0–100% / CMY Mode: 100–0% |
| 18 | Main green | 000 ⇔ 255 | RGBW Mode: 0–100% / CMY Mode: 100–0% |
| 19 | Main blue | 000 ⇔ 255 | RGBW Mode: 0–100% / CMY Mode: 100–0% |
| 20 | Main white | 000 ⇔ 255 | RGBW Mode: 0–100% / CMY Mode: 100–0% |
| 21 | Red 1 Cyan 1 | 000 ⇔ 255 | RGBW Mode: 0–100% / CMY Mode: 100–0% |
| 22 | Green 1 Magenta 1 | 000 ⇔ 255 | RGBW Mode: 0–100% / CMY Mode: 100–0% |
| 23 | Blue 1 Yellow 1 | 000 ⇔ 255 | RGBW Mode: 0–100% / CMY Mode: 100–0% |
| 24 | White 1 | 000 ⇔ 255 | RGBW Mode: 0–100% / CMY Mode: 100–0% |
| 25 | Red 2 Cyan 2 | 000 ⇔ 255 | RGBW Mode: 0–100% / CMY Mode: 100–0% |
| 26 | Green 2 Magenta 2 | 000 ⇔ 255 | RGBW Mode: 0–100% / CMY Mode: 100–0% |
| 27 | Blue 2 Yellow 2 | 000 ⇔ 255 | RGBW Mode: 0–100% / CMY Mode: 100–0% |
| 28 | White 2 | 000 ⇔ 255 | RGBW Mode: 0–100% / CMY Mode: 100–0% |
| 29 | Red 3 Cyan 3 | 000 ⇔ 255 | RGBW Mode: 0–100% / CMY Mode: 100–0% |
| 30 | Green 3 Magenta 3 | 000 ⇔ 255 | RGBW Mode: 0–100% / CMY Mode: 100–0% |
| 31 | Blue 3 Yellow 3 | 000 ⇔ 255 | RGBW Mode: 0–100% / CMY Mode: 100–0% |
| 32 | White 3 | 000 ⇔ 255 | RGBW Mode: 0–100% / CMY Mode: 100–0% |
| 33 | Red 4 Cyan 4 | 000 ⇔ 255 | RGBW Mode: 0–100% / CMY Mode: 100–0% |
| 34 | Green 4 Magenta 4 | 000 ⇔ 255 | RGBW Mode: 0–100% / CMY Mode: 100–0% |
| 35 | Blue 4 Yellow 4 | 000 ⇔ 255 | RGBW Mode: 0–100% / CMY Mode: 100–0% |
| 36 | White 4 | 000 ⇔ 255 | RGBW Mode: 0–100% / CMY Mode: 100–0% |

QUICK REFERENCE GUIDE



EN

| Channel | Function | | Value | Percent/Setting |
|---------|----------|------------|-----------|--------------------------------------|
| 37 | Red 5 | Cyan 5 | 000 ⇔ 255 | RGBW Mode: 0–100% / CMY Mode: 100–0% |
| 38 | Green 5 | Magenta 5 | 000 ⇔ 255 | RGBW Mode: 0–100% / CMY Mode: 100–0% |
| 39 | Blue 5 | Yellow 5 | 000 ⇔ 255 | RGBW Mode: 0–100% / CMY Mode: 100–0% |
| 40 | White 5 | | 000 ⇔ 255 | RGBW Mode: 0–100% / CMY Mode: 100–0% |
| 41 | Red 6 | Cyan 6 | 000 ⇔ 255 | RGBW Mode: 0–100% / CMY Mode: 100–0% |
| 42 | Green 6 | Magenta 6 | 000 ⇔ 255 | RGBW Mode: 0–100% / CMY Mode: 100–0% |
| 43 | Blue 6 | Yellow 6 | 000 ⇔ 255 | RGBW Mode: 0–100% / CMY Mode: 100–0% |
| 44 | White 6 | | 000 ⇔ 255 | RGBW Mode: 0–100% / CMY Mode: 100–0% |
| 45 | Red 7 | Cyan 7 | 000 ⇔ 255 | RGBW Mode: 0–100% / CMY Mode: 100–0% |
| 46 | Green 7 | Magenta 7 | 000 ⇔ 255 | RGBW Mode: 0–100% / CMY Mode: 100–0% |
| 47 | Blue 7 | Yellow 7 | 000 ⇔ 255 | RGBW Mode: 0–100% / CMY Mode: 100–0% |
| 48 | White 7 | | 000 ⇔ 255 | RGBW Mode: 0–100% / CMY Mode: 100–0% |
| 49 | Red 8 | Cyan 8 | 000 ⇔ 255 | RGBW Mode: 0–100% / CMY Mode: 100–0% |
| 50 | Green 8 | Magenta 8 | 000 ⇔ 255 | RGBW Mode: 0–100% / CMY Mode: 100–0% |
| 51 | Blue 8 | Yellow 8 | 000 ⇔ 255 | RGBW Mode: 0–100% / CMY Mode: 100–0% |
| 52 | White 8 | | 000 ⇔ 255 | RGBW Mode: 0–100% / CMY Mode: 100–0% |
| 53 | Red 9 | Cyan 9 | 000 ⇔ 255 | RGBW Mode: 0–100% / CMY Mode: 100–0% |
| 54 | Green 9 | Magenta 9 | 000 ⇔ 255 | RGBW Mode: 0–100% / CMY Mode: 100–0% |
| 55 | Blue 9 | Yellow 9 | 000 ⇔ 255 | RGBW Mode: 0–100% / CMY Mode: 100–0% |
| 56 | White 9 | | 000 ⇔ 255 | RGBW Mode: 0–100% / CMY Mode: 100–0% |
| 57 | Red 10 | Cyan 10 | 000 ⇔ 255 | RGBW Mode: 0–100% / CMY Mode: 100–0% |
| 58 | Green 10 | Magenta 10 | 000 ⇔ 255 | RGBW Mode: 0–100% / CMY Mode: 100–0% |
| 59 | Blue 10 | Yellow 10 | 000 ⇔ 255 | RGBW Mode: 0–100% / CMY Mode: 100–0% |
| 60 | White 10 | | 000 ⇔ 255 | RGBW Mode: 0–100% / CMY Mode: 100–0% |
| 61 | Red 11 | Cyan 11 | 000 ⇔ 255 | RGBW Mode: 0–100% / CMY Mode: 100–0% |
| 62 | Green 11 | Magenta 11 | 000 ⇔ 255 | RGBW Mode: 0–100% / CMY Mode: 100–0% |
| 63 | Blue 11 | Yellow 11 | 000 ⇔ 255 | RGBW Mode: 0–100% / CMY Mode: 100–0% |
| 64 | White 11 | | 000 ⇔ 255 | RGBW Mode: 0–100% / CMY Mode: 100–0% |
| 65 | Red 12 | Cyan 12 | 000 ⇔ 255 | RGBW Mode: 0–100% / CMY Mode: 100–0% |
| 66 | Green 12 | Magenta 12 | 000 ⇔ 255 | RGBW Mode: 0–100% / CMY Mode: 100–0% |
| 67 | Blue 12 | Yellow 12 | 000 ⇔ 255 | RGBW Mode: 0–100% / CMY Mode: 100–0% |
| 68 | White 12 | | 000 ⇔ 255 | RGBW Mode: 0–100% / CMY Mode: 100–0% |
| 69 | Red 13 | Cyan 13 | 000 ⇔ 255 | RGBW Mode: 0–100% / CMY Mode: 100–0% |
| 70 | Green 13 | Magenta 13 | 000 ⇔ 255 | RGBW Mode: 0–100% / CMY Mode: 100–0% |
| 71 | Blue 13 | Yellow 13 | 000 ⇔ 255 | RGBW Mode: 0–100% / CMY Mode: 100–0% |
| 72 | White 13 | | 000 ⇔ 255 | RGBW Mode: 0–100% / CMY Mode: 100–0% |
| 73 | Red 14 | Cyan 14 | 000 ⇔ 255 | RGBW Mode: 0–100% / CMY Mode: 100–0% |
| 74 | Green 14 | Magenta 14 | 000 ⇔ 255 | RGBW Mode: 0–100% / CMY Mode: 100–0% |
| 75 | Blue 14 | Yellow 14 | 000 ⇔ 255 | RGBW Mode: 0–100% / CMY Mode: 100–0% |
| 76 | White 14 | | 000 ⇔ 255 | RGBW Mode: 0–100% / CMY Mode: 100–0% |
| 77 | Red 15 | Cyan 15 | 000 ⇔ 255 | RGBW Mode: 0–100% / CMY Mode: 100–0% |
| 78 | Green 15 | Magenta 15 | 000 ⇔ 255 | RGBW Mode: 0–100% / CMY Mode: 100–0% |
| 79 | Blue 15 | Yellow 15 | 000 ⇔ 255 | RGBW Mode: 0–100% / CMY Mode: 100–0% |
| 80 | White 15 | | 000 ⇔ 255 | RGBW Mode: 0–100% / CMY Mode: 100–0% |
| 81 | Red 16 | Cyan 16 | 000 ⇔ 255 | RGBW Mode: 0–100% / CMY Mode: 100–0% |
| 82 | Green 16 | Magenta 16 | 000 ⇔ 255 | RGBW Mode: 0–100% / CMY Mode: 100–0% |
| 83 | Blue 16 | Yellow 16 | 000 ⇔ 255 | RGBW Mode: 0–100% / CMY Mode: 100–0% |
| 84 | White 16 | | 000 ⇔ 255 | RGBW Mode: 0–100% / CMY Mode: 100–0% |

Single Control: Basic Mode (20CH)

| Channel | Function | Value | Percent/Setting |
|---------|--|-----------|---|
| 1 | Tilt | 000 ⇄ 255 | 0–100% |
| 2 | Fine tilt | 000 ⇄ 255 | 0–100% |
| 3 | Tilt speed | 000 ⇄ 255 | 0–100% |
| 4 | CTC | 000 | No function |
| | | 001 ⇄ 255 | Color temperature, 1900–2700 K |
| 5 | Color | 000 ⇄ 255 | see Color Chart |
| 6 | Patterns (see Patterns) | 000 | No function |
| | | 001 ⇄ 255 | Pattern 1–255 |
| 7 | LED macro | 000 ⇄ 255 | see LED Macro |
| 8 | LED macro speed | 000 ⇄ 127 | Auto speed, fast to slow clockwise |
| | | 128 | Stop |
| | | 129 ⇄ 255 | Auto speed, slow to fast counterclockwise |
| 9 | LED macro delay | 000 ⇄ 255 | Fast to slow |
| 10 | Background color | 000 ⇄ 255 | see Color Chart |
| 11 | Background color dimmer | 000 ⇄ 255 | 0–100% |
| 12 | Dimmer | 000 ⇄ 255 | 0–100% |
| 13 | Strobe | 000 ⇄ 255 | see Strobe Settings |
| 14 | Zoom 1 (see Zoom Zones) | 000 ⇄ 255 | Zoom in to zoom out (Zone 1) |
| 15 | Zoom 2 (see Zoom Zones) | 000 ⇄ 255 | Zoom in to zoom out (Zone 2) |
| 16 | Control | 000 ⇄ 255 | see Control Settings |
| 17 | Red | 000 ⇄ 255 | RGBW Mode: 0–100% / CMY Mode: 100–0% |
| 18 | Green | 000 ⇄ 255 | RGBW Mode: 0–100% / CMY Mode: 100–0% |
| 19 | Blue | 000 ⇄ 255 | RGBW Mode: 0–100% / CMY Mode: 100–0% |
| 20 | White | 000 ⇄ 255 | RGBW Mode: 0–100% / CMY Mode: 100–0% |

Dual Control Movement: Advanced (26CH)

| Channel | Function | Value | Percent/Setting |
|---------|--|-----------|---|
| 1 | Tilt | 000 ⇄ 255 | 0–100% |
| 2 | Fine tilt | 000 ⇄ 255 | 0–100% |
| 3 | Tilt speed | 000 ⇄ 255 | 0–100% |
| 4 | CTC | 000 | No function |
| | | 001 ⇄ 255 | Color temperature, 1900–2700 K |
| 5 | Color | 000 ⇄ 255 | see Color Chart |
| 6 | Patterns (see Patterns) | 000 | No function |
| | | 001 ⇄ 255 | Pattern 1–255 |
| 7 | LED macro | 000 ⇄ 255 | see LED Macro |
| 8 | LED macro speed | 000 ⇄ 127 | Auto speed, fast to slow clockwise |
| | | 128 | Stop |
| | | 129 ⇄ 255 | Auto speed, slow to fast counterclockwise |
| 9 | LED macro delay | 000 ⇄ 255 | Fast to slow |
| 10 | Background color | 000 ⇄ 255 | see Color Chart |
| 11 | Background color dimmer | 000 ⇄ 255 | 0–100% |
| 12 | Background color fine dimmer | 000 ⇄ 255 | 0–100% |
| 13 | Dimmer | 000 ⇄ 255 | 0–100% |
| 14 | Fine dimmer | 000 ⇄ 255 | 0–100% |
| 15 | Strobe | 000 ⇄ 255 | see Strobe Settings |
| 16 | Zoom 1 (see Zoom Zones) | 000 ⇄ 255 | Zoom in to zoom out (Zone 1) |
| 17 | Zoom 2 (see Zoom Zones) | 000 ⇄ 255 | Zoom in to zoom out (Zone 2) |
| 18 | Control | 000 ⇄ 255 | see Control Settings |

QUICK REFERENCE GUIDE



EN

| Channel | Function | Value | Percent/Setting |
|---------|------------|-----------|--------------------------------------|
| 19 | Red | 000 ⇔ 255 | RGBW Mode: 0–100% / CMY Mode: 100–0% |
| 20 | Fine red | 000 ⇔ 255 | RGBW Mode: 0–100% / CMY Mode: 100–0% |
| 21 | Green | 000 ⇔ 255 | RGBW Mode: 0–100% / CMY Mode: 100–0% |
| 22 | Fine green | 000 ⇔ 255 | RGBW Mode: 0–100% / CMY Mode: 100–0% |
| 23 | Blue | 000 ⇔ 255 | RGBW Mode: 0–100% / CMY Mode: 100–0% |
| 24 | Fine blue | 000 ⇔ 255 | RGBW Mode: 0–100% / CMY Mode: 100–0% |
| 25 | White | 000 ⇔ 255 | RGBW Mode: 0–100% / CMY Mode: 100–0% |
| 26 | Fine white | 000 ⇔ 255 | RGBW Mode: 0–100% / CMY Mode: 100–0% |

Dual Control Movement: Standard (20CH)

| Channel | Function | Value | Percent/Setting |
|---------|--|-------------------------------|---|
| 1 | Tilt | 000 ⇔ 255 | 0–100% |
| 2 | Fine tilt | 000 ⇔ 255 | 0–100% |
| 3 | Tilt speed | 000 ⇔ 255 | 0–100% |
| 4 | CTC | 000 001 ⇔ 255 | No function Color temperature, 1900–2700 K |
| 5 | Color | 000 ⇔ 255 | see Color Chart |
| 6 | Patterns (see Patterns) | 000 001 ⇔ 255 | No function Pattern 1–255 |
| 7 | LED macro | 000 ⇔ 255 | see LED Macro |
| 8 | LED macro speed | 000 ⇔ 127 128 129 ⇔ 255 | Auto speed, fast to slow clockwise Stop Auto speed, slow to fast counterclockwise |
| 9 | LED macro delay | 000 ⇔ 255 | Fast to slow |
| 10 | Background color | 000 ⇔ 255 | see Color Chart |
| 11 | Background color dimmer | 000 ⇔ 255 | 0–100% |
| 12 | Dimmer | 000 ⇔ 255 | 0–100% |
| 13 | Strobe | 000 ⇔ 255 | see Strobe Settings |
| 14 | Zoom 1 (see Zoom Zones) | 000 ⇔ 255 | Zoom in to zoom out (Zone 1) |
| 15 | Zoom 2 (see Zoom Zones) | 000 ⇔ 255 | Zoom in to zoom out (Zone 2) |
| 16 | Control | 000 ⇔ 255 | see Control Settings |
| 17 | Red | 000 ⇔ 255 | RGBW Mode: 0–100% / CMY Mode: 100–0% |
| 18 | Green | 000 ⇔ 255 | RGBW Mode: 0–100% / CMY Mode: 100–0% |
| 19 | Blue | 000 ⇔ 255 | RGBW Mode: 0–100% / CMY Mode: 100–0% |
| 20 | White | 000 ⇔ 255 | RGBW Mode: 0–100% / CMY Mode: 100–0% |

Dual Control Movement: Basic (8CH)

| Channel | Function | Value | Percent/Setting |
|---------|------------|-----------|--------------------------------------|
| 1 | Tilt | 000 ⇔ 255 | 0–100% |
| 2 | Fine tilt | 000 ⇔ 255 | 0–100% |
| 3 | Tilt speed | 000 ⇔ 255 | 0–100% |
| 4 | Dimmer | 000 ⇔ 255 | 0–100% |
| 5 | Strobe | 000 ⇔ 255 | see Strobe Settings |
| 6 | Zoom 1 | 000 ⇔ 255 | Zoom in to zoom out |
| 7 | Zoom 2 | 000 ⇔ 255 | Zoom in to zoom out |
| 8 | Control | 000 ⇔ 255 | see Control Settings |

Dual Control Pixels: Advanced (128CH)

| Channel | Function | | Value | Percent/Setting |
|---------|--------------|----------------|-----------|--------------------------------------|
| 1 | Red 1 | Cyan 1 | 000 ⇔ 255 | RGBW Mode: 0–100% / CMY Mode: 100–0% |
| 2 | Fine red 1 | Fine cyan 1 | 000 ⇔ 255 | RGBW Mode: 0–100% / CMY Mode: 100–0% |
| 3 | Green 1 | Magenta 1 | 000 ⇔ 255 | RGBW Mode: 0–100% / CMY Mode: 100–0% |
| 4 | Fine green 1 | Fine magenta 1 | 000 ⇔ 255 | RGBW Mode: 0–100% / CMY Mode: 100–0% |
| 5 | Blue 1 | Yellow 1 | 000 ⇔ 255 | RGBW Mode: 0–100% / CMY Mode: 100–0% |
| 6 | Fine blue 1 | Fine yellow 1 | 000 ⇔ 255 | RGBW Mode: 0–100% / CMY Mode: 100–0% |
| 7 | White 1 | | 000 ⇔ 255 | RGBW Mode: 0–100% / CMY Mode: 100–0% |
| 8 | Fine white 1 | | 000 ⇔ 255 | RGBW Mode: 0–100% / CMY Mode: 100–0% |
| 9 | Red 2 | Cyan 2 | 000 ⇔ 255 | RGBW Mode: 0–100% / CMY Mode: 100–0% |
| 10 | Fine red 2 | Fine cyan 2 | 000 ⇔ 255 | RGBW Mode: 0–100% / CMY Mode: 100–0% |
| 11 | Green 2 | Magenta 2 | 000 ⇔ 255 | RGBW Mode: 0–100% / CMY Mode: 100–0% |
| 12 | Fine green 2 | Fine magenta 2 | 000 ⇔ 255 | RGBW Mode: 0–100% / CMY Mode: 100–0% |
| 13 | Blue 2 | Yellow 2 | 000 ⇔ 255 | RGBW Mode: 0–100% / CMY Mode: 100–0% |
| 14 | Fine blue 2 | Fine yellow 2 | 000 ⇔ 255 | RGBW Mode: 0–100% / CMY Mode: 100–0% |
| 15 | White 2 | | 000 ⇔ 255 | RGBW Mode: 0–100% / CMY Mode: 100–0% |
| 16 | Fine white 2 | | 000 ⇔ 255 | RGBW Mode: 0–100% / CMY Mode: 100–0% |
| 17 | Red 3 | Cyan 3 | 000 ⇔ 255 | RGBW Mode: 0–100% / CMY Mode: 100–0% |
| 18 | Fine red 3 | Fine cyan 3 | 000 ⇔ 255 | RGBW Mode: 0–100% / CMY Mode: 100–0% |
| 19 | Green 3 | Magenta 3 | 000 ⇔ 255 | RGBW Mode: 0–100% / CMY Mode: 100–0% |
| 20 | Fine green 3 | Fine magenta 3 | 000 ⇔ 255 | RGBW Mode: 0–100% / CMY Mode: 100–0% |
| 21 | Blue 3 | Yellow 3 | 000 ⇔ 255 | RGBW Mode: 0–100% / CMY Mode: 100–0% |
| 22 | Fine blue 3 | Fine yellow 3 | 000 ⇔ 255 | RGBW Mode: 0–100% / CMY Mode: 100–0% |
| 23 | White 3 | | 000 ⇔ 255 | RGBW Mode: 0–100% / CMY Mode: 100–0% |
| 24 | Fine white 3 | | 000 ⇔ 255 | RGBW Mode: 0–100% / CMY Mode: 100–0% |
| 25 | Red 4 | Cyan 4 | 000 ⇔ 255 | RGBW Mode: 0–100% / CMY Mode: 100–0% |
| 26 | Fine red 4 | Fine cyan 4 | 000 ⇔ 255 | RGBW Mode: 0–100% / CMY Mode: 100–0% |
| 27 | Green 4 | Magenta 4 | 000 ⇔ 255 | RGBW Mode: 0–100% / CMY Mode: 100–0% |
| 28 | Fine green 4 | Fine magenta 4 | 000 ⇔ 255 | RGBW Mode: 0–100% / CMY Mode: 100–0% |
| 29 | Blue 4 | Yellow 4 | 000 ⇔ 255 | RGBW Mode: 0–100% / CMY Mode: 100–0% |
| 30 | Fine blue 4 | Fine yellow 4 | 000 ⇔ 255 | RGBW Mode: 0–100% / CMY Mode: 100–0% |
| 31 | White 4 | | 000 ⇔ 255 | RGBW Mode: 0–100% / CMY Mode: 100–0% |
| 32 | Fine white 4 | | 000 ⇔ 255 | RGBW Mode: 0–100% / CMY Mode: 100–0% |
| 33 | Red 5 | Cyan 5 | 000 ⇔ 255 | RGBW Mode: 0–100% / CMY Mode: 100–0% |
| 34 | Fine red 5 | Fine cyan 5 | 000 ⇔ 255 | RGBW Mode: 0–100% / CMY Mode: 100–0% |
| 35 | Green 5 | Magenta 5 | 000 ⇔ 255 | RGBW Mode: 0–100% / CMY Mode: 100–0% |
| 36 | Fine green 5 | Fine magenta 5 | 000 ⇔ 255 | RGBW Mode: 0–100% / CMY Mode: 100–0% |
| 37 | Blue 5 | Yellow 5 | 000 ⇔ 255 | RGBW Mode: 0–100% / CMY Mode: 100–0% |
| 38 | Fine blue 5 | Fine yellow 5 | 000 ⇔ 255 | RGBW Mode: 0–100% / CMY Mode: 100–0% |
| 39 | White 5 | | 000 ⇔ 255 | RGBW Mode: 0–100% / CMY Mode: 100–0% |
| 40 | Fine white 5 | | 000 ⇔ 255 | RGBW Mode: 0–100% / CMY Mode: 100–0% |
| 41 | Red 6 | Cyan 6 | 000 ⇔ 255 | RGBW Mode: 0–100% / CMY Mode: 100–0% |
| 42 | Fine red 6 | Fine cyan 6 | 000 ⇔ 255 | RGBW Mode: 0–100% / CMY Mode: 100–0% |
| 43 | Green 6 | Magenta 6 | 000 ⇔ 255 | RGBW Mode: 0–100% / CMY Mode: 100–0% |
| 44 | Fine green 6 | Fine magenta 6 | 000 ⇔ 255 | RGBW Mode: 0–100% / CMY Mode: 100–0% |
| 45 | Blue 6 | Yellow 6 | 000 ⇔ 255 | RGBW Mode: 0–100% / CMY Mode: 100–0% |
| 46 | Fine blue 6 | Fine yellow 6 | 000 ⇔ 255 | RGBW Mode: 0–100% / CMY Mode: 100–0% |
| 47 | White 6 | | 000 ⇔ 255 | RGBW Mode: 0–100% / CMY Mode: 100–0% |
| 48 | Fine white 6 | | 000 ⇔ 255 | RGBW Mode: 0–100% / CMY Mode: 100–0% |
| 49 | Red 7 | Cyan 7 | 000 ⇔ 255 | RGBW Mode: 0–100% / CMY Mode: 100–0% |
| 50 | Fine red 7 | Fine cyan 7 | 000 ⇔ 255 | RGBW Mode: 0–100% / CMY Mode: 100–0% |

QUICK REFERENCE GUIDE



EN

| Channel | Function | | Value | Percent/Setting |
|---------|---------------|-----------------|-----------|--------------------------------------|
| 51 | Green 7 | Magenta 7 | 000 ⇄ 255 | RGBW Mode: 0–100% / CMY Mode: 100–0% |
| 52 | Fine green 7 | Fine magenta 7 | 000 ⇄ 255 | RGBW Mode: 0–100% / CMY Mode: 100–0% |
| 53 | Blue 7 | Yellow 7 | 000 ⇄ 255 | RGBW Mode: 0–100% / CMY Mode: 100–0% |
| 54 | Fine blue 7 | Fine yellow 7 | 000 ⇄ 255 | RGBW Mode: 0–100% / CMY Mode: 100–0% |
| 55 | White 7 | | 000 ⇄ 255 | RGBW Mode: 0–100% / CMY Mode: 100–0% |
| 56 | Fine white 7 | | 000 ⇄ 255 | RGBW Mode: 0–100% / CMY Mode: 100–0% |
| 57 | Red 8 | Cyan 8 | 000 ⇄ 255 | RGBW Mode: 0–100% / CMY Mode: 100–0% |
| 58 | Fine red 8 | Fine cyan 8 | 000 ⇄ 255 | RGBW Mode: 0–100% / CMY Mode: 100–0% |
| 59 | Green 8 | Magenta 8 | 000 ⇄ 255 | RGBW Mode: 0–100% / CMY Mode: 100–0% |
| 60 | Fine green 8 | Fine magenta 8 | 000 ⇄ 255 | RGBW Mode: 0–100% / CMY Mode: 100–0% |
| 61 | Blue 8 | Yellow 8 | 000 ⇄ 255 | RGBW Mode: 0–100% / CMY Mode: 100–0% |
| 62 | Fine blue 8 | Fine yellow 8 | 000 ⇄ 255 | RGBW Mode: 0–100% / CMY Mode: 100–0% |
| 63 | White 8 | | 000 ⇄ 255 | RGBW Mode: 0–100% / CMY Mode: 100–0% |
| 64 | Fine white 8 | | 000 ⇄ 255 | RGBW Mode: 0–100% / CMY Mode: 100–0% |
| 65 | Red 9 | Cyan 9 | 000 ⇄ 255 | RGBW Mode: 0–100% / CMY Mode: 100–0% |
| 66 | Fine red 9 | Fine cyan 9 | 000 ⇄ 255 | RGBW Mode: 0–100% / CMY Mode: 100–0% |
| 67 | Green 9 | Magenta 9 | 000 ⇄ 255 | RGBW Mode: 0–100% / CMY Mode: 100–0% |
| 68 | Fine green 9 | Fine magenta 9 | 000 ⇄ 255 | RGBW Mode: 0–100% / CMY Mode: 100–0% |
| 69 | Blue 9 | Yellow 9 | 000 ⇄ 255 | RGBW Mode: 0–100% / CMY Mode: 100–0% |
| 70 | Fine blue 9 | Fine yellow 9 | 000 ⇄ 255 | RGBW Mode: 0–100% / CMY Mode: 100–0% |
| 71 | White 9 | | 000 ⇄ 255 | RGBW Mode: 0–100% / CMY Mode: 100–0% |
| 72 | Fine white 9 | | 000 ⇄ 255 | RGBW Mode: 0–100% / CMY Mode: 100–0% |
| 73 | Red 10 | Cyan 10 | 000 ⇄ 255 | RGBW Mode: 0–100% / CMY Mode: 100–0% |
| 74 | Fine red 10 | Fine cyan 10 | 000 ⇄ 255 | RGBW Mode: 0–100% / CMY Mode: 100–0% |
| 75 | Green 10 | Magenta 10 | 000 ⇄ 255 | RGBW Mode: 0–100% / CMY Mode: 100–0% |
| 76 | Fine green 10 | Fine magenta 10 | 000 ⇄ 255 | RGBW Mode: 0–100% / CMY Mode: 100–0% |
| 77 | Blue 10 | Yellow 10 | 000 ⇄ 255 | RGBW Mode: 0–100% / CMY Mode: 100–0% |
| 78 | Fine blue 10 | Fine yellow 10 | 000 ⇄ 255 | RGBW Mode: 0–100% / CMY Mode: 100–0% |
| 79 | White 10 | | 000 ⇄ 255 | RGBW Mode: 0–100% / CMY Mode: 100–0% |
| 80 | Fine white 10 | | 000 ⇄ 255 | RGBW Mode: 0–100% / CMY Mode: 100–0% |
| 81 | Red 11 | Cyan 11 | 000 ⇄ 255 | RGBW Mode: 0–100% / CMY Mode: 100–0% |
| 82 | Fine red 11 | Fine cyan 11 | 000 ⇄ 255 | RGBW Mode: 0–100% / CMY Mode: 100–0% |
| 83 | Green 11 | Magenta 11 | 000 ⇄ 255 | RGBW Mode: 0–100% / CMY Mode: 100–0% |
| 84 | Fine green 11 | Fine magenta 11 | 000 ⇄ 255 | RGBW Mode: 0–100% / CMY Mode: 100–0% |
| 85 | Blue 11 | Yellow 11 | 000 ⇄ 255 | RGBW Mode: 0–100% / CMY Mode: 100–0% |
| 86 | Fine blue 11 | Fine yellow 11 | 000 ⇄ 255 | RGBW Mode: 0–100% / CMY Mode: 100–0% |
| 87 | White 11 | | 000 ⇄ 255 | RGBW Mode: 0–100% / CMY Mode: 100–0% |
| 88 | Fine white 11 | | 000 ⇄ 255 | RGBW Mode: 0–100% / CMY Mode: 100–0% |
| 89 | Red 12 | Cyan 12 | 000 ⇄ 255 | RGBW Mode: 0–100% / CMY Mode: 100–0% |
| 90 | Fine red 12 | Fine cyan 12 | 000 ⇄ 255 | RGBW Mode: 0–100% / CMY Mode: 100–0% |
| 91 | Green 12 | Magenta 12 | 000 ⇄ 255 | RGBW Mode: 0–100% / CMY Mode: 100–0% |
| 92 | Fine green 12 | Fine magenta 12 | 000 ⇄ 255 | RGBW Mode: 0–100% / CMY Mode: 100–0% |
| 93 | Blue 12 | Yellow 12 | 000 ⇄ 255 | RGBW Mode: 0–100% / CMY Mode: 100–0% |
| 94 | Fine blue 12 | Fine yellow 12 | 000 ⇄ 255 | RGBW Mode: 0–100% / CMY Mode: 100–0% |
| 95 | White 12 | | 000 ⇄ 255 | RGBW Mode: 0–100% / CMY Mode: 100–0% |
| 96 | Fine white 12 | | 000 ⇄ 255 | RGBW Mode: 0–100% / CMY Mode: 100–0% |
| 97 | Red 13 | Cyan 13 | 000 ⇄ 255 | RGBW Mode: 0–100% / CMY Mode: 100–0% |
| 98 | Fine red 13 | Fine cyan 13 | 000 ⇄ 255 | RGBW Mode: 0–100% / CMY Mode: 100–0% |
| 99 | Green 13 | Magenta 13 | 000 ⇄ 255 | RGBW Mode: 0–100% / CMY Mode: 100–0% |
| 100 | Fine green 13 | Fine magenta 13 | 000 ⇄ 255 | RGBW Mode: 0–100% / CMY Mode: 100–0% |
| 101 | Blue 13 | Yellow 13 | 000 ⇄ 255 | RGBW Mode: 0–100% / CMY Mode: 100–0% |

| Channel | Function | | Value | Percent/Setting |
|---------|---------------|-----------------|-----------|--------------------------------------|
| 102 | Fine blue 13 | Fine yellow 13 | 000 ⇔ 255 | RGBW Mode: 0–100% / CMY Mode: 100–0% |
| 103 | White 13 | | 000 ⇔ 255 | RGBW Mode: 0–100% / CMY Mode: 100–0% |
| 104 | Fine white 13 | | 000 ⇔ 255 | RGBW Mode: 0–100% / CMY Mode: 100–0% |
| 105 | Red 14 | Cyan 14 | 000 ⇔ 255 | RGBW Mode: 0–100% / CMY Mode: 100–0% |
| 106 | Fine red 14 | Fine cyan 14 | 000 ⇔ 255 | RGBW Mode: 0–100% / CMY Mode: 100–0% |
| 107 | Green 14 | Magenta 14 | 000 ⇔ 255 | RGBW Mode: 0–100% / CMY Mode: 100–0% |
| 108 | Fine green 14 | Fine magenta 14 | 000 ⇔ 255 | RGBW Mode: 0–100% / CMY Mode: 100–0% |
| 109 | Blue 14 | Yellow 14 | 000 ⇔ 255 | RGBW Mode: 0–100% / CMY Mode: 100–0% |
| 110 | Fine blue 14 | Fine yellow 14 | 000 ⇔ 255 | RGBW Mode: 0–100% / CMY Mode: 100–0% |
| 111 | White 14 | | 000 ⇔ 255 | RGBW Mode: 0–100% / CMY Mode: 100–0% |
| 112 | Fine white 14 | | 000 ⇔ 255 | RGBW Mode: 0–100% / CMY Mode: 100–0% |
| 113 | Red 15 | Cyan 15 | 000 ⇔ 255 | RGBW Mode: 0–100% / CMY Mode: 100–0% |
| 114 | Fine red 15 | Fine cyan 15 | 000 ⇔ 255 | RGBW Mode: 0–100% / CMY Mode: 100–0% |
| 115 | Green 15 | Magenta 15 | 000 ⇔ 255 | RGBW Mode: 0–100% / CMY Mode: 100–0% |
| 116 | Fine green 15 | Fine magenta 15 | 000 ⇔ 255 | RGBW Mode: 0–100% / CMY Mode: 100–0% |
| 117 | Blue 15 | Yellow 15 | 000 ⇔ 255 | RGBW Mode: 0–100% / CMY Mode: 100–0% |
| 118 | Fine blue 15 | Fine yellow 15 | 000 ⇔ 255 | RGBW Mode: 0–100% / CMY Mode: 100–0% |
| 119 | White 15 | | 000 ⇔ 255 | RGBW Mode: 0–100% / CMY Mode: 100–0% |
| 120 | Fine white 15 | | 000 ⇔ 255 | RGBW Mode: 0–100% / CMY Mode: 100–0% |
| 121 | Red 16 | Cyan 16 | 000 ⇔ 255 | RGBW Mode: 0–100% / CMY Mode: 100–0% |
| 122 | Fine red 16 | Fine cyan 16 | 000 ⇔ 255 | RGBW Mode: 0–100% / CMY Mode: 100–0% |
| 123 | Green 16 | Magenta 16 | 000 ⇔ 255 | RGBW Mode: 0–100% / CMY Mode: 100–0% |
| 124 | Fine green 16 | Fine magenta 16 | 000 ⇔ 255 | RGBW Mode: 0–100% / CMY Mode: 100–0% |
| 125 | Blue 16 | Yellow 16 | 000 ⇔ 255 | RGBW Mode: 0–100% / CMY Mode: 100–0% |
| 126 | Fine blue 16 | Fine yellow 16 | 000 ⇔ 255 | RGBW Mode: 0–100% / CMY Mode: 100–0% |
| 127 | White 16 | | 000 ⇔ 255 | RGBW Mode: 0–100% / CMY Mode: 100–0% |
| 128 | Fine white 16 | | 000 ⇔ 255 | RGBW Mode: 0–100% / CMY Mode: 100–0% |

Dual Control Pixels: Standard (64CH)

| Channel | Function | | Value | Percent/Setting |
|---------|----------|-----------|-----------|--------------------------------------|
| 1 | Red 1 | Cyan 1 | 000 ⇔ 255 | RGBW Mode: 0–100% / CMY Mode: 100–0% |
| 2 | Green 1 | Magenta 1 | 000 ⇔ 255 | RGBW Mode: 0–100% / CMY Mode: 100–0% |
| 3 | Blue 1 | Yellow 1 | 000 ⇔ 255 | RGBW Mode: 0–100% / CMY Mode: 100–0% |
| 4 | White 1 | | 000 ⇔ 255 | RGBW Mode: 0–100% / CMY Mode: 100–0% |
| 5 | Red 2 | Cyan 2 | 000 ⇔ 255 | RGBW Mode: 0–100% / CMY Mode: 100–0% |
| 6 | Green 2 | Magenta 2 | 000 ⇔ 255 | RGBW Mode: 0–100% / CMY Mode: 100–0% |
| 7 | Blue 2 | Yellow 2 | 000 ⇔ 255 | RGBW Mode: 0–100% / CMY Mode: 100–0% |
| 8 | White 2 | | 000 ⇔ 255 | RGBW Mode: 0–100% / CMY Mode: 100–0% |
| 9 | Red 3 | Cyan 3 | 000 ⇔ 255 | RGBW Mode: 0–100% / CMY Mode: 100–0% |
| 10 | Green 3 | Magenta 3 | 000 ⇔ 255 | RGBW Mode: 0–100% / CMY Mode: 100–0% |
| 11 | Blue 3 | Yellow 3 | 000 ⇔ 255 | RGBW Mode: 0–100% / CMY Mode: 100–0% |
| 12 | White 3 | | 000 ⇔ 255 | RGBW Mode: 0–100% / CMY Mode: 100–0% |
| 13 | Red 4 | Cyan 4 | 000 ⇔ 255 | RGBW Mode: 0–100% / CMY Mode: 100–0% |
| 14 | Green 4 | Magenta 4 | 000 ⇔ 255 | RGBW Mode: 0–100% / CMY Mode: 100–0% |
| 15 | Blue 4 | Yellow 4 | 000 ⇔ 255 | RGBW Mode: 0–100% / CMY Mode: 100–0% |
| 16 | White 4 | | 000 ⇔ 255 | RGBW Mode: 0–100% / CMY Mode: 100–0% |
| 17 | Red 5 | Cyan 5 | 000 ⇔ 255 | RGBW Mode: 0–100% / CMY Mode: 100–0% |
| 18 | Green 5 | Magenta 5 | 000 ⇔ 255 | RGBW Mode: 0–100% / CMY Mode: 100–0% |
| 19 | Blue 5 | Yellow 5 | 000 ⇔ 255 | RGBW Mode: 0–100% / CMY Mode: 100–0% |
| 20 | White 5 | | 000 ⇔ 255 | RGBW Mode: 0–100% / CMY Mode: 100–0% |

QUICK REFERENCE GUIDE



EN

| Channel | Function | | Value | Percent/Setting |
|---------|----------|------------|-----------|--------------------------------------|
| 21 | Red 6 | Cyan 6 | 000 ⇔ 255 | RGBW Mode: 0–100% / CMY Mode: 100–0% |
| 22 | Green 6 | Magenta 6 | 000 ⇔ 255 | RGBW Mode: 0–100% / CMY Mode: 100–0% |
| 23 | Blue 6 | Yellow 6 | 000 ⇔ 255 | RGBW Mode: 0–100% / CMY Mode: 100–0% |
| 24 | White 6 | | 000 ⇔ 255 | RGBW Mode: 0–100% / CMY Mode: 100–0% |
| 25 | Red 7 | Cyan 7 | 000 ⇔ 255 | RGBW Mode: 0–100% / CMY Mode: 100–0% |
| 26 | Green 7 | Magenta 7 | 000 ⇔ 255 | RGBW Mode: 0–100% / CMY Mode: 100–0% |
| 27 | Blue 7 | Yellow 7 | 000 ⇔ 255 | RGBW Mode: 0–100% / CMY Mode: 100–0% |
| 28 | White 7 | | 000 ⇔ 255 | RGBW Mode: 0–100% / CMY Mode: 100–0% |
| 29 | Red 8 | Cyan 8 | 000 ⇔ 255 | RGBW Mode: 0–100% / CMY Mode: 100–0% |
| 30 | Green 8 | Magenta 8 | 000 ⇔ 255 | RGBW Mode: 0–100% / CMY Mode: 100–0% |
| 31 | Blue 8 | Yellow 8 | 000 ⇔ 255 | RGBW Mode: 0–100% / CMY Mode: 100–0% |
| 32 | White 8 | | 000 ⇔ 255 | RGBW Mode: 0–100% / CMY Mode: 100–0% |
| 33 | Red 9 | Cyan 9 | 000 ⇔ 255 | RGBW Mode: 0–100% / CMY Mode: 100–0% |
| 34 | Green 9 | Magenta 9 | 000 ⇔ 255 | RGBW Mode: 0–100% / CMY Mode: 100–0% |
| 35 | Blue 9 | Yellow 9 | 000 ⇔ 255 | RGBW Mode: 0–100% / CMY Mode: 100–0% |
| 36 | White 9 | | 000 ⇔ 255 | RGBW Mode: 0–100% / CMY Mode: 100–0% |
| 37 | Red 10 | Cyan 10 | 000 ⇔ 255 | RGBW Mode: 0–100% / CMY Mode: 100–0% |
| 38 | Green 10 | Magenta 10 | 000 ⇔ 255 | RGBW Mode: 0–100% / CMY Mode: 100–0% |
| 39 | Blue 10 | Yellow 10 | 000 ⇔ 255 | RGBW Mode: 0–100% / CMY Mode: 100–0% |
| 40 | White 10 | | 000 ⇔ 255 | RGBW Mode: 0–100% / CMY Mode: 100–0% |
| 41 | Red 11 | Cyan 11 | 000 ⇔ 255 | RGBW Mode: 0–100% / CMY Mode: 100–0% |
| 42 | Green 11 | Magenta 11 | 000 ⇔ 255 | RGBW Mode: 0–100% / CMY Mode: 100–0% |
| 43 | Blue 11 | Yellow 11 | 000 ⇔ 255 | RGBW Mode: 0–100% / CMY Mode: 100–0% |
| 44 | White 11 | | 000 ⇔ 255 | RGBW Mode: 0–100% / CMY Mode: 100–0% |
| 45 | Red 12 | Cyan 12 | 000 ⇔ 255 | RGBW Mode: 0–100% / CMY Mode: 100–0% |
| 46 | Green 12 | Magenta 12 | 000 ⇔ 255 | RGBW Mode: 0–100% / CMY Mode: 100–0% |
| 47 | Blue 12 | Yellow 12 | 000 ⇔ 255 | RGBW Mode: 0–100% / CMY Mode: 100–0% |
| 48 | White 12 | | 000 ⇔ 255 | RGBW Mode: 0–100% / CMY Mode: 100–0% |
| 49 | Red 13 | Cyan 13 | 000 ⇔ 255 | RGBW Mode: 0–100% / CMY Mode: 100–0% |
| 50 | Green 13 | Magenta 13 | 000 ⇔ 255 | RGBW Mode: 0–100% / CMY Mode: 100–0% |
| 51 | Blue 13 | Yellow 13 | 000 ⇔ 255 | RGBW Mode: 0–100% / CMY Mode: 100–0% |
| 52 | White 13 | | 000 ⇔ 255 | RGBW Mode: 0–100% / CMY Mode: 100–0% |
| 53 | Red 14 | Cyan 14 | 000 ⇔ 255 | RGBW Mode: 0–100% / CMY Mode: 100–0% |
| 54 | Green 14 | Magenta 14 | 000 ⇔ 255 | RGBW Mode: 0–100% / CMY Mode: 100–0% |
| 55 | Blue 14 | Yellow 14 | 000 ⇔ 255 | RGBW Mode: 0–100% / CMY Mode: 100–0% |
| 56 | White 14 | | 000 ⇔ 255 | RGBW Mode: 0–100% / CMY Mode: 100–0% |
| 57 | Red 15 | Cyan 15 | 000 ⇔ 255 | RGBW Mode: 0–100% / CMY Mode: 100–0% |
| 58 | Green 15 | Magenta 15 | 000 ⇔ 255 | RGBW Mode: 0–100% / CMY Mode: 100–0% |
| 59 | Blue 15 | Yellow 15 | 000 ⇔ 255 | RGBW Mode: 0–100% / CMY Mode: 100–0% |
| 60 | White 15 | | 000 ⇔ 255 | RGBW Mode: 0–100% / CMY Mode: 100–0% |
| 61 | Red 16 | Cyan 16 | 000 ⇔ 255 | RGBW Mode: 0–100% / CMY Mode: 100–0% |
| 62 | Green 16 | Magenta 16 | 000 ⇔ 255 | RGBW Mode: 0–100% / CMY Mode: 100–0% |
| 63 | Blue 16 | Yellow 16 | 000 ⇔ 255 | RGBW Mode: 0–100% / CMY Mode: 100–0% |
| 64 | White 16 | | 000 ⇔ 255 | RGBW Mode: 0–100% / CMY Mode: 100–0% |

Dual Control Pixels: Basic (48CH)

| Channel | Function | | Value | Percent/Setting |
|---------|----------|------------|-----------|--------------------------------------|
| 1 | Red 1 | Cyan 1 | 000 ⇄ 255 | RGBW Mode: 0–100% / CMY Mode: 100–0% |
| 2 | Green 1 | Magenta 1 | 000 ⇄ 255 | RGBW Mode: 0–100% / CMY Mode: 100–0% |
| 3 | Blue 1 | Yellow 1 | 000 ⇄ 255 | RGBW Mode: 0–100% / CMY Mode: 100–0% |
| 4 | Red 2 | Cyan 2 | 000 ⇄ 255 | RGBW Mode: 0–100% / CMY Mode: 100–0% |
| 5 | Green 2 | Magenta 2 | 000 ⇄ 255 | RGBW Mode: 0–100% / CMY Mode: 100–0% |
| 6 | Blue 2 | Yellow 2 | 000 ⇄ 255 | RGBW Mode: 0–100% / CMY Mode: 100–0% |
| 7 | Red 3 | Cyan 3 | 000 ⇄ 255 | RGBW Mode: 0–100% / CMY Mode: 100–0% |
| 8 | Green 3 | Magenta 3 | 000 ⇄ 255 | RGBW Mode: 0–100% / CMY Mode: 100–0% |
| 9 | Blue 3 | Yellow 3 | 000 ⇄ 255 | RGBW Mode: 0–100% / CMY Mode: 100–0% |
| 10 | Red 4 | Cyan 4 | 000 ⇄ 255 | RGBW Mode: 0–100% / CMY Mode: 100–0% |
| 11 | Green 4 | Magenta 4 | 000 ⇄ 255 | RGBW Mode: 0–100% / CMY Mode: 100–0% |
| 12 | Blue 4 | Yellow 4 | 000 ⇄ 255 | RGBW Mode: 0–100% / CMY Mode: 100–0% |
| 13 | Red 5 | Cyan 5 | 000 ⇄ 255 | RGBW Mode: 0–100% / CMY Mode: 100–0% |
| 14 | Green 5 | Magenta 5 | 000 ⇄ 255 | RGBW Mode: 0–100% / CMY Mode: 100–0% |
| 15 | Blue 5 | Yellow 5 | 000 ⇄ 255 | RGBW Mode: 0–100% / CMY Mode: 100–0% |
| 16 | Red 6 | Cyan 6 | 000 ⇄ 255 | RGBW Mode: 0–100% / CMY Mode: 100–0% |
| 17 | Green 6 | Magenta 6 | 000 ⇄ 255 | RGBW Mode: 0–100% / CMY Mode: 100–0% |
| 18 | Blue 6 | Yellow 6 | 000 ⇄ 255 | RGBW Mode: 0–100% / CMY Mode: 100–0% |
| 19 | Red 7 | Cyan 7 | 000 ⇄ 255 | RGBW Mode: 0–100% / CMY Mode: 100–0% |
| 20 | Green 7 | Magenta 7 | 000 ⇄ 255 | RGBW Mode: 0–100% / CMY Mode: 100–0% |
| 21 | Blue 7 | Yellow 7 | 000 ⇄ 255 | RGBW Mode: 0–100% / CMY Mode: 100–0% |
| 22 | Red 8 | Cyan 8 | 000 ⇄ 255 | RGBW Mode: 0–100% / CMY Mode: 100–0% |
| 23 | Green 8 | Magenta 8 | 000 ⇄ 255 | RGBW Mode: 0–100% / CMY Mode: 100–0% |
| 24 | Blue 8 | Yellow 8 | 000 ⇄ 255 | RGBW Mode: 0–100% / CMY Mode: 100–0% |
| 25 | Red 9 | Cyan 9 | 000 ⇄ 255 | RGBW Mode: 0–100% / CMY Mode: 100–0% |
| 26 | Green 9 | Magenta 9 | 000 ⇄ 255 | RGBW Mode: 0–100% / CMY Mode: 100–0% |
| 27 | Blue 9 | Yellow 9 | 000 ⇄ 255 | RGBW Mode: 0–100% / CMY Mode: 100–0% |
| 28 | Red 10 | Cyan 10 | 000 ⇄ 255 | RGBW Mode: 0–100% / CMY Mode: 100–0% |
| 29 | Green 10 | Magenta 10 | 000 ⇄ 255 | RGBW Mode: 0–100% / CMY Mode: 100–0% |
| 30 | Blue 10 | Yellow 10 | 000 ⇄ 255 | RGBW Mode: 0–100% / CMY Mode: 100–0% |
| 31 | Red 11 | Cyan 11 | 000 ⇄ 255 | RGBW Mode: 0–100% / CMY Mode: 100–0% |
| 32 | Green 11 | Magenta 11 | 000 ⇄ 255 | RGBW Mode: 0–100% / CMY Mode: 100–0% |
| 33 | Blue 11 | Yellow 11 | 000 ⇄ 255 | RGBW Mode: 0–100% / CMY Mode: 100–0% |
| 34 | Red 12 | Cyan 12 | 000 ⇄ 255 | RGBW Mode: 0–100% / CMY Mode: 100–0% |
| 35 | Green 12 | Magenta 12 | 000 ⇄ 255 | RGBW Mode: 0–100% / CMY Mode: 100–0% |
| 36 | Blue 12 | Yellow 12 | 000 ⇄ 255 | RGBW Mode: 0–100% / CMY Mode: 100–0% |
| 37 | Red 13 | Cyan 13 | 000 ⇄ 255 | RGBW Mode: 0–100% / CMY Mode: 100–0% |
| 38 | Green 13 | Magenta 13 | 000 ⇄ 255 | RGBW Mode: 0–100% / CMY Mode: 100–0% |
| 39 | Blue 13 | Yellow 13 | 000 ⇄ 255 | RGBW Mode: 0–100% / CMY Mode: 100–0% |
| 40 | Red 14 | Cyan 14 | 000 ⇄ 255 | RGBW Mode: 0–100% / CMY Mode: 100–0% |
| 41 | Green 14 | Magenta 14 | 000 ⇄ 255 | RGBW Mode: 0–100% / CMY Mode: 100–0% |
| 42 | Blue 14 | Yellow 14 | 000 ⇄ 255 | RGBW Mode: 0–100% / CMY Mode: 100–0% |
| 43 | Red 15 | Cyan 15 | 000 ⇄ 255 | RGBW Mode: 0–100% / CMY Mode: 100–0% |
| 44 | Green 15 | Magenta 15 | 000 ⇄ 255 | RGBW Mode: 0–100% / CMY Mode: 100–0% |
| 45 | Blue 15 | Yellow 15 | 000 ⇄ 255 | RGBW Mode: 0–100% / CMY Mode: 100–0% |
| 46 | Red 16 | Cyan 16 | 000 ⇄ 255 | RGBW Mode: 0–100% / CMY Mode: 100–0% |
| 47 | Green 16 | Magenta 16 | 000 ⇄ 255 | RGBW Mode: 0–100% / CMY Mode: 100–0% |
| 48 | Blue 16 | Yellow 16 | 000 ⇄ 255 | RGBW Mode: 0–100% / CMY Mode: 100–0% |

Color Chart

| Value | Percent/Setting | | | | |
|-----------|--------------------------|-----------|-----------|-----------|---------|
| 000 | No function | | | | |
| 001 ⇄ 002 | White 2700K | R = 156 | G = 118 | B = 0 | W = 63 |
| 003 ⇄ 004 | White 3200K | R = 156 | G = 141 | B = 5 | W = 89 |
| 005 ⇄ 006 | White 4200K | R = 156 | G = 141 | B = 14 | W = 255 |
| 007 ⇄ 008 | White 5600K | R = 156 | G = 207 | B = 54 | W = 255 |
| 009 ⇄ 010 | White 8000K | R = 130 | G = 255 | B = 96 | W = 255 |
| 011 | Blue | R = 0 | G = 0 | B = 255 | W = 0 |
| 012 ⇄ 048 | + Green | R = 0 | G = 0–255 | B = 255 | W = 0 |
| 049 | Cyan | R = 0 | G = 255 | B = 255 | W = 0 |
| 050 ⇄ 086 | - Blue | R = 0 | G = 255 | B = 255–0 | W = 0 |
| 087 | Green | R = 0 | G = 255 | B = 0 | W = 0 |
| 088 ⇄ 124 | + Red | R = 0–255 | G = 255 | B = 0 | W = 0 |
| 125 | Yellow | R = 255 | G = 255 | B = 0 | W = 0 |
| 126 ⇄ 162 | - Green | R = 255 | G = 255–0 | B = 0 | W = 0 |
| 163 | Red | R = 255 | G = 0 | B = 0 | W = 0 |
| 164 ⇄ 200 | + Blue | R = 255 | G = 0 | B = 0–255 | W = 0 |
| 201 | Magenta | R = 255 | G = 0 | B = 255 | W = 0 |
| 202 ⇄ 238 | - Red | R = 255–0 | G = 0 | B = 255 | W = 0 |
| 239 | Blue | R = 0 | G = 0 | B = 255 | W = 0 |
| 240 ⇄ 247 | Color fade, fast to slow | | | | |
| 248 ⇄ 255 | Color snap, fast to slow | | | | |

Strobe Settings

| Value | Percent/Setting | Value | Percent/Setting |
|-----------|------------------------------------|-----------|------------------------------------|
| 000 ⇄ 019 | Off | 145 ⇄ 149 | On |
| 020 ⇄ 024 | On | 150 ⇄ 164 | Random strobe 0–100%, fast to slow |
| 025 ⇄ 064 | Strobe, fast to slow | 165 ⇄ 169 | On |
| 065 ⇄ 069 | On | 170 ⇄ 184 | Pulse strobe, fast to slow |
| 070 ⇄ 084 | Strobe 100–0%, fast to slow | 185 ⇄ 189 | On |
| 085 ⇄ 089 | On | 190 ⇄ 204 | Random pulse strobe, fast to slow |
| 090 ⇄ 104 | Strobe 0–100%, fast to slow | 205 ⇄ 209 | On |
| 105 ⇄ 109 | On | 210 ⇄ 224 | Strobe 0–100–0%, fast to slow |
| 110 ⇄ 124 | Random strobe, fast to slow | 225 ⇄ 229 | On |
| 125 ⇄ 129 | On | 230 ⇄ 244 | Random pulse strobe, fast to slow |
| 130 ⇄ 144 | Random strobe 100–0%, fast to slow | 245 ⇄ 255 | On |

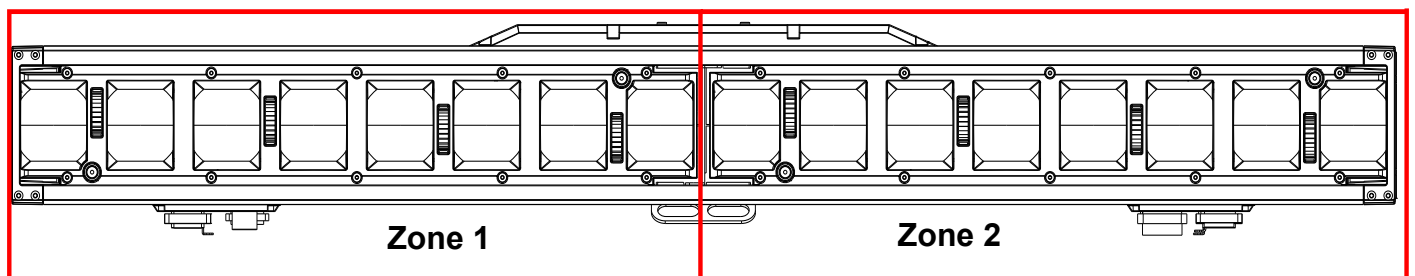
Control Settings

| Value | Percent/Setting | Value | Percent/Setting |
|-----------|-------------------------------------|-----------|-------------------------|
| 000 ⇄ 009 | No function | 095 ⇄ 099 | Reserved for future use |
| 010 ⇄ 014 | Blackout on tilt | 100 ⇄ 104 | Tilt reverse disable |
| 015 ⇄ 019 | Reserved for future use | 105 ⇄ 119 | Reserved for future use |
| 020 ⇄ 024 | RGBW (additive) color-mixing mode | 120 ⇄ 124 | Fan ECO |
| 025 ⇄ 029 | CMY (subtractive) color-mixing mode | 125 ⇄ 129 | Fan full |
| 030 ⇄ 039 | Reserved for future use | 130 ⇄ 134 | Fan auto |
| 040 ⇄ 044 | Defrost fan on | 135 ⇄ 139 | Dimmer fast |
| 045 ⇄ 049 | Defrost fan off | 140 ⇄ 144 | Dimmer smooth |
| 050 ⇄ 054 | Reserved for future use | 145 ⇄ 149 | Linear |
| 055 ⇄ 059 | Tilt reset | 150 ⇄ 154 | Square |
| 060 ⇄ 064 | Zoom reset | 155 ⇄ 159 | i Squa |
| 065 ⇄ 069 | Reserved for future use | 160 ⇄ 164 | SCurve |
| 070 ⇄ 074 | Reset all | 165 ⇄ 169 | White mode |
| 075 ⇄ 089 | Reserved for future use | 170 ⇄ 174 | Full mode |
| 090 ⇄ 094 | Tilt reverse | 175 ⇄ 255 | Reserved for future use |

LED Macro

| Value | Percent/Setting | Value | Percent/Setting |
|-----------|--|-----------|----------------------------------|
| 000 ⇔ 015 | No function | 136 ⇔ 137 | Auto color macro 38 |
| 016 ⇔ 017 | Color-controllable macro 1 | 138 ⇔ 139 | Auto color macro 39 |
| 018 ⇔ 019 | Color-controllable macro 2 | 140 ⇔ 141 | Auto color macro 40 |
| 020 ⇔ 021 | Color-controllable macro 3 | 142 ⇔ 143 | Auto color macro 41 |
| 022 ⇔ 023 | Color-controllable macro 4 | 144 ⇔ 145 | Auto color macro 42 |
| 024 ⇔ 025 | Color-controllable macro 5 | 146 ⇔ 147 | Auto color macro 43 |
| 026 ⇔ 027 | Color-controllable macro 6 | 148 ⇔ 149 | Auto color macro 44 |
| 028 ⇔ 029 | Color-controllable macro 7 | 150 ⇔ 151 | Auto color macro 45 |
| 030 ⇔ 031 | Color-controllable macro 8 | 152 ⇔ 153 | Auto color macro 46 |
| 032 ⇔ 033 | Color-controllable macro 9 | 154 ⇔ 155 | Auto color macro 47 |
| 034 ⇔ 035 | Color-controllable macro 10 | 156 ⇔ 157 | Auto color macro 48 |
| 036 ⇔ 037 | Color-controllable macro 11 | 158 ⇔ 159 | Auto color macro 49 |
| 038 ⇔ 039 | Color-controllable macro 12 | 160 ⇔ 161 | Auto color macro 50 |
| 040 ⇔ 041 | Color-controllable macro 13 | 162 ⇔ 163 | Auto color macro 51 |
| 042 ⇔ 043 | Color-controllable macro 14 | 164 ⇔ 165 | Auto color macro 52 |
| 044 ⇔ 045 | Color-controllable macro 15 | 166 ⇔ 167 | Auto color macro 53 |
| 046 ⇔ 047 | Color-controllable macro 16 | 168 ⇔ 169 | Auto color macro 54 |
| 048 ⇔ 049 | Color-controllable macro 17 | 170 ⇔ 171 | Auto color macro 55 |
| 050 ⇔ 051 | Color-controllable macro 18 | 172 ⇔ 173 | Auto color macro 56 |
| 052 ⇔ 053 | Color-controllable macro 19 | 174 ⇔ 175 | Auto color macro 57 |
| 054 ⇔ 055 | Color-controllable macro 20 | 176 ⇔ 177 | Auto color macro 58 |
| 056 ⇔ 057 | Color-controllable macro 21 | 178 ⇔ 179 | Auto color macro 59 |
| 058 ⇔ 059 | Color-controllable macro 22 | 180 ⇔ 181 | Auto color macro 60 |
| 060 ⇔ 061 | Color-controllable macro 23 | 182 ⇔ 183 | Auto color macro 61 |
| 062 ⇔ 063 | Color-controllable macro 24 | 184 ⇔ 185 | Auto color macro 62 |
| 064 ⇔ 065 | Color-controllable macro 25 | 186 ⇔ 187 | Auto color macro 63 |
| 066 ⇔ 067 | Color-controllable macro 26 | 188 ⇔ 189 | Auto color macro 64 |
| 068 ⇔ 069 | Color-controllable macro 27 | 190 ⇔ 191 | Auto color macro 65 |
| 070 ⇔ 071 | Color-controllable macro 28 | 192 ⇔ 193 | Auto color macro 66 |
| 072 ⇔ 073 | Color-controllable macro 29 | 194 ⇔ 195 | Auto color macro 67 |
| 074 ⇔ 075 | Color-controllable macro 30 | 196 ⇔ 197 | Auto color macro 68 |
| 076 ⇔ 077 | Color-controllable macro 31 | 198 ⇔ 199 | Auto color macro 69 |
| 078 ⇔ 079 | Color-controllable macro 32 | 200 ⇔ 201 | Auto color macro 70 |
| 080 ⇔ 081 | Color-controllable macro 33 | 202 ⇔ 203 | Auto color macro 71 |
| 082 ⇔ 083 | Color-controllable macro 34 | 204 ⇔ 205 | Auto color macro 72 |
| 084 ⇔ 085 | Color-controllable macro 35 | 206 ⇔ 207 | Auto color macro 73 |
| 086 ⇔ 087 | Color-controllable macro 36 | 208 ⇔ 255 | Auto color macro 74 (main macro) |
| 088 ⇔ 135 | Color-controllable macro 37 (main macro) | | |

Zoom Zones



Acerca de Esta Guía

La Guía de Referencia Rápida (GRR) del COLORado PXL Bar 16 contiene información básica sobre el producto, como montaje, opciones de menú y valores DMX. Descargue el Manual de Usuario de www.chauvetprofessional.com para información más detallada.

Exención de Responsabilidad

La información y especificaciones contenidas en esta GRR están sujetas a cambio sin previo aviso.

GARANTÍA LIMITADA

PARA VER EL REGISTRO DE GARANTÍA Y LOS TÉRMINOS Y CONDICIONES COMPLETOS, VISITE NUESTRO SITIO WEB.

Para clientes en los Estados Unidos y México: www.chauvetlighting.com/warranty-registration.

Para clientes en Reino Unido, República de Irlanda, Bélgica, Países Bajos, Luxemburgo, Francia y Alemania: www.chauvetlighting.eu/warranty-registration.

Chauvet garantiza que este producto estará libre de defectos de material y mano de obra en condiciones de uso normales, durante el periodo especificado, sujeto siempre a las exclusiones y limitaciones establecidas en la garantía limitada completa de nuestro sitio web. Esta garantía se concede únicamente al comprador original del producto y no es transferible. Para ejercer los derechos que otorga esta garantía, usted debe proporcionar una prueba de compra en forma de un recibo de compra original, expedido por un distribuidor autorizado, donde figure el nombre del producto y la fecha de compra. **NO EXISTEN OTRAS GARANTÍAS EXPRESAS NI IMPLÍCITAS.** Esta garantía le otorga derechos legales específicos. Es posible que a usted le asistan otros derechos, que variarán dependiendo del estado o del país. Esta garantía solamente es válida en los Estados Unidos, Reino Unido, República de Irlanda, Bélgica, Países Bajos, Luxemburgo, Francia, Alemania y México. Para conocer los términos de garantía en otros países, consulte a su distribuidor local.

Notas de Seguridad

- NO abra este producto. No contiene piezas reparables por el usuario.
- NO mire a la fuente de luz cuando el producto esté encendido.
- NO ponga en funcionamiento este producto si sospecha que la carcasa, lentes o cables están dañados.
- NO conecte este producto a un atenuador o reostato.
- NO deje ningún material inflamable a menos de 20 cm de este producto mientras esté funcionando o conectado a la alimentación.
- NO sumerja este producto (IP65). La operación temporal en exteriores es correcta.
- No apto para la instalación permanente en exteriores en lugares con condiciones ambientales extremas. Estas incluyen, sin limitarse a ellas:
 - Exposición a un ambiente marino/salino (a menos de 4,8 km de una masa de agua salada).
 - Cuando las temperaturas máxima o mínima habituales del lugar superan los rangos de temperatura en este manual.
 - Lugares proclives a inundaciones o a ser sepultados por la nieve.
 - Otras zonas en las que el producto esté expuesto a radiación extrema o sustancias cáusticas.
- CUIDADO: La carcasa de este producto está caliente cuando las luces están en funcionamiento.
- CUIDADO: Cuando transfiera el producto desde ambientes con temperatura extrema (p. ej., del remolque frío de un camión a una sala de baile con calor y humedad), puede formarse condensación en la electrónica interna del producto. Para evitar que se produzca una avería, deje que el producto se aclimate completamente al ambiente antes de conectar la alimentación.
- USE un cable de seguridad cuando monte este producto en lo alto.
- Conecte este producto SOLO a un circuito con toma de tierra y protegido.
- Use SOLAMENTE los soportes de colgar/montar para mover este producto.
- Monte este producto en una ubicación con ventilación adecuada, al menos a 20 cm de superficies adyacentes.
- El producto no está destinado a una instalación permanente.
- Para evitar un desgaste innecesario y alargar su vida útil, desconecte complemente el producto de la alimentación, mediante el interruptor o desenchufándolo, durante los periodos en los que no se use.
- En caso de un problema grave de funcionamiento, deje de usarlo inmediatamente.
- La máxima temperatura ambiente es de 113 °F (45 °C). No haga funcionar este producto a temperaturas más altas.
- La luminaria debe colocarse de forma que no sea previsible que se mire fijamente hacia ella a una distancia menor de 3,0 m.
- Si se daña el cable externo flexible de esta luminaria, se sustituirá con un cable especial o con un cable disponible exclusivamente a través del fabricante o de su agente de servicio técnico.
- Solo el fabricante, su agente de servicio o un técnico de similar cualificación podrán reemplazar la fuente de luz contenida en esta luminaria.
- La luminaria está destinada exclusivamente a un uso profesional.

Cumplimiento de la FCC

Este dispositivo cumple la parte 15, parte B de las normas FCC. El Funcionamiento está supeditado al cumplimiento de estas dos condiciones:

1. Este dispositivo no puede causar interferencias perjudiciales; y
2. Este dispositivo debe aceptar cualquier interferencia recibida, incluyendo las interferencias que puedan causar un funcionamiento no deseado.

Cualquier cambio o modificación que no haya sido expresamente autorizado por la parte responsable de conformidad puede anular la potestad del usuario para hacer funcionar el equipo.

Contacto

Fuera de EE. UU., Reino Unido, Irlanda, Benelux, Francia, Alemania o México póngase en contacto con su distribuidor para solicitar asistencia o devolver un producto. Consulte [Contact Us](#) al final de este GRR para información de contacto.

Qué va Incluido

- COLORado PXL Bar 16
- Cable de alimentación Seetronic Powerkon IP65
- 2 soportes Omega con material de montaje
- Guía de Referencia Rápida

Corriente Alterna

Este producto tiene una fuente de alimentación con detección automática que puede funcionar con un rango de tensión de entrada de 100 a 240 V~, 50/60 Hz.

Alimentación en Cadena

Puede enlazar hasta 3 productos COLORado PXL Bar 16 a 208, 230 o 240 V. Nunca sobrepase este número. Los cables de alimentación en cadena se pueden adquirir por separado.

Enchufe CA

| Conexión | Cable (EE.UU.) | Cable (Europa) | Color del tornillo |
|------------|----------------|----------------|--------------------|
| CA Cargado | Negro | Marrón | Amarillo/Latón |
| CA Neutro | Blanco | Azul | Plata |
| CA Tierra | Verde/Amarillo | Verde/Amarillo | Verde |



Para evitar un desgaste innecesario y alargar su vida útil, desconecte completamente el producto de la alimentación, mediante el interruptor o desenchufándolo, durante los periodos en los que no se use.

Conexiones de señal

Puede enlazar el COLORado PXL Bar 16 a un controlador o software controlador usando una conexión DMX, una conexión Ethernet o ambas. Si está usando otros productos compatibles con Art-Net™ o sACN, el COLORado PXL Bar 16 puede controlar cada uno individualmente en una sola red. Consulte el Manual de usuario para obtener información sobre cómo conectar y configurar el producto para estas señales.

Personalidades de control

El COLORado PXL Bar 16 utiliza DMX, Art-Net™, sACN, WDMX y Kling-Net para sus personalidades de control:

| Single Mode | Dual Mode Movement | Dual Mode Pixels |
|-------------------------------|------------------------------|---|
| Basic (20 canales) | Basic (8 canales) | Basic (48 canales) |
| Standard (84 canales) | Standard (20 canales) | Standard (64 canales) |
| Advanced (154 canales) | Advanced (26 canales) | Advanced (128 canales) |
| Tour (186 canales) | Utiliza DMX, Art-Net™ o sACN | Utiliza DMX, Art-Net™, sACN o Kling-Net |
| Utiliza DMX, Art-Net™ o sACN | | |

Conexión DMX

El COLORado PXL Bar 16 funcionará con un controlador DMX usando una conexión serie DMX de 5 pines. Hay un Manual DMX disponible en www.chauvetprofessional.com.

RDM (gestión remota del dispositivo)

Remote Device Management (gestión remota del dispositivo) o RDM, es un estándar que permite a los dispositivos con capacidad DMX una comunicación bidireccional por un cableado DMX existente. El COLORado PXL Bar 16 admite protocolo RDM, que posibilita información para supervisar cambiar las opciones del mapa de menú. Descargue el manual de usuario de www.chauvetprofessional.com para una información más detallada.

Conexión Art-Net™

Art-Net™ es un protocolo Ethernet que utiliza TCP/IP para transferir gran cantidad de datos DMX512 usando una conexión Amphenol XLR Net RJ45 sobre una red de gran tamaño. Hay disponible un documento sobre el protocolo Art-Net™ desde www.chauvetprofessional.com. Chauvet Professional recomienda la utilización de modo Unicast para mejores resultados. Art-Net™ diseñado y copyright por Artistic Licence Holdings Ltd.

Conexión sACN

También conocido como ANSI E1.31, el streaming ACN es un protocolo Ethernet que usa las capas y formato de Architecture for Control Networks (arquitectura para redes de control) para transportar datos DMX512 sobre IP o cualquier otra red compatible con ACN.

Conexión Kling-Net

Kling-Net es un protocolo de red que permite la autoconfiguración de los dispositivos de imagen usando una conexión Ethernet etherCON RJ45. Consulte el manual del software ArKaos para instrucciones detalladas sobre la programación de este producto.



- Para un funcionamiento fluido, ArKaos Kling-Net precisa una tarjeta Ethernet a gigabit (1000 Mbps) y un router de red.
- ArKaos Kling-Net solo ejecutará los modos Standard Pixels o Basic Pixels.

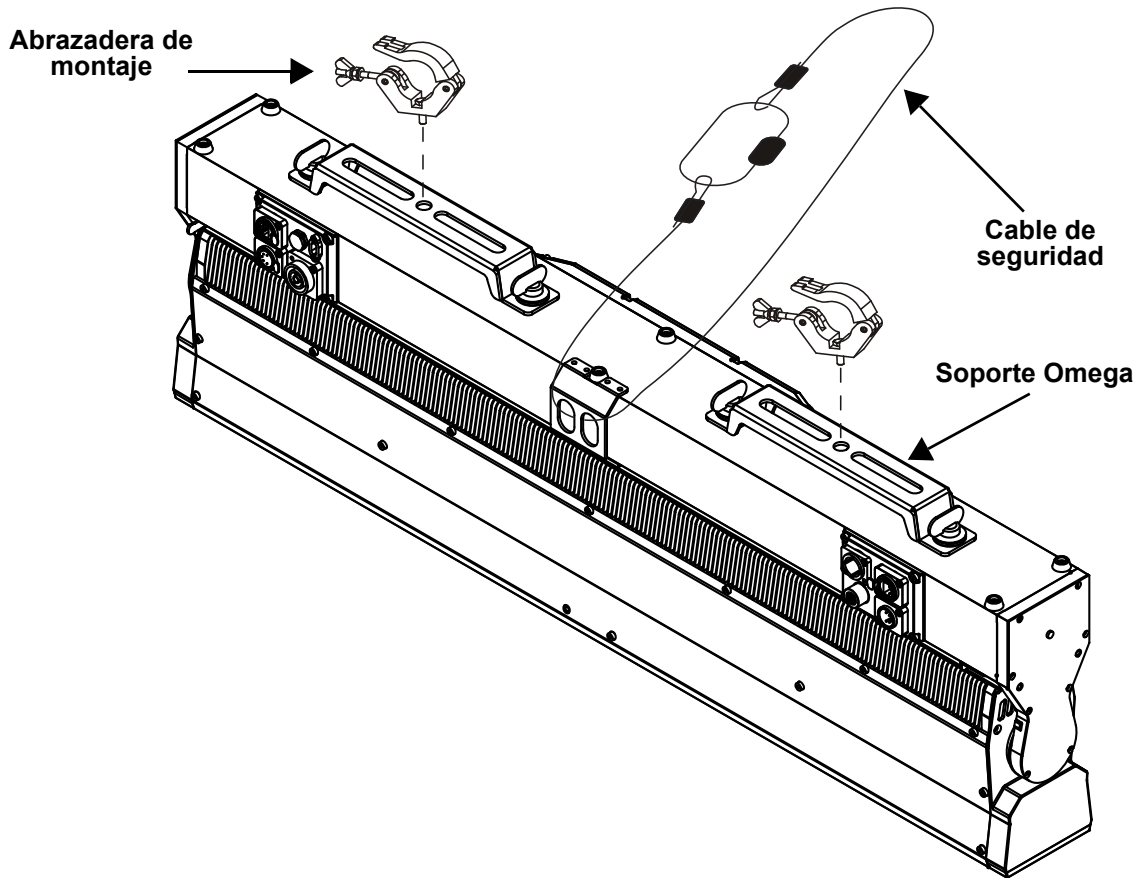
Conexión Maestro/Esclavo

El COLORado PXL Bar 16 usa la conexión de datos DMX para su modo Maestro/Esclavo. Vea el Manual de Usuario para conectar y configurar para funcionamiento Maestro/Esclavo.

Montaje

Antes de montar este producto, lea las [Notas de Seguridad](#). Utilice al menos dos puntos de montaje por producto. Asegúrese de que las abrazaderas de montaje son capaces de soportar el peso del producto. Para nuestra línea Chauvet de abrazaderas de montaje, visite <http://trusst.com/productcategory/truss-clamps/>.

Diagrama de Montaje del Producto



Descripción del Panel de Control

| Botón | Función |
|---------|--|
| <MENU> | Salir del menú o función actual |
| <ENTER> | Habilita el menú actualmente en pantalla o configura el valor seleccionado actualmente dentro de la función seleccionada |
| <UP> | Navega hacia arriba por la lista de menú o aumenta el valor numérico cuando está en una función |
| <DOWN> | Navega hacia abajo por la lista de menú o disminuye el valor numérico cuando está en una función |

Mapa de Menú

Consulte la página del producto COLORado PXL Bar 16 en www.chauvetprofessional.com para ver el último mapa de menú.

| Niveles de Programación | | | | Descripción | |
|-------------------------|---------------|---------------------------------------|--|---|---|
| Address | | | | Address Nivel Principal | |
| Single Mode | DMX | Personality | Basic | Configura la personalidad DMX (vea Personalidades de control) | |
| | | | Standard | | |
| | | | Advanced | | |
| | | Tour | Configura la dirección DMX de inicio | | |
| | Start Address | 0-512 | | | |
| | ArtNet | Personality | Basic | Configura la personalidad Art-Net™ (vea Personalidades de control) | |
| | | | Standard | | |
| | | | Advanced | | |
| | | Tour | Configura la dirección Art-Net™ de inicio | | |
| | Start Address | 0-512 | | | |
| | Universe | 0-255 | Configura el universo Art-Net™ | | |
| | sACN | Personality | Basic | Configura la personalidad sACN (vea Personalidades de control) | |
| Standard | | | | | |
| Advanced | | | | | |
| Tour | | Configura la dirección sACN de inicio | | | |
| Start Address | 0-512 | | | | |
| Universe | 0-255 | Configura el universo sACN | | | |
| Dual Mode | Movement | DMX | Basic | Configura la personalidad DMX (vea Personalidades de control) | |
| | | | Standard | | |
| | | | Advanced | | |
| | | | Tour | Configura la dirección DMX de inicio | |
| | | Start Address | 0-512 | | |
| | | ArtNet | Personality | Basic | Configura la personalidad Art-Net™ (vea Personalidades de control) |
| | | | | Standard | |
| | | | | Advanced | |
| | | | Tour | Configura la dirección Art-Net™ de inicio | |
| | | Start Address | 0-512 | | |
| | | Universe | 0-255 | Configura el universo Art-Net™ | |
| | | sACN | Personality | Basic | Configura la personalidad sACN (vea Personalidades de control) |
| | Standard | | | | |
| | Advanced | | | | |
| | Tour | | Configura la dirección sACN de inicio | | |
| | Start Address | 0-512 | | | |
| | Universe | 0-255 | Configura el universo sACN | | |
| | Pixels | DMX | Personality | Basic | Configura la personalidad DMX (vea Personalidades de control) |
| | | | | Standard | |
| | | | | Advanced | |
| | | | Tour | Configura la dirección DMX de inicio | |
| | | Start Address | 0-512 | | |
| | | ArtNet | Personality | Basic | Configura la personalidad Art-Net™ (vea Personalidades de control) |
| | | | | Standard | |
| Advanced | | | | | |
| Tour | | | Configura la dirección Art-Net™ de inicio | | |
| Start Address | | 0-512 | | | |
| Universe | | 0-255 | Configura el universo Art-Net™ | | |
| sACN | | Personality | Basic | Configura la personalidad sACN (vea Personalidades de control) | |
| | Standard | | | | |
| | Advanced | | | | |
| | Tour | Configura la dirección sACN de inicio | | | |
| Start Address | 0-512 | | | | |
| Universe | 0-255 | Configura el universo sACN | | | |
| KlingNet | Personality | Basic | Configura la personalidad Kling-Net (vea Personalidades de control) | | |
| | | Standard | | | |

| Nivel Principal | Niveles de Programación | | | Descripción | |
|----------------------|-------------------------|---|---|---|--|
| Run Mode | Auto Test | | | Prueba automática de todas las funciones | |
| | Manual Test | Tilt P/T Speed Red Green Blue White CTC Color Pattern LED Macro LED Ma. Speed LED Ma. Fade Background Background Dim. Dimmer Shutter Function Zoom1 Zoom2 | | 000–255 Controlar y probar todas las funciones a través del panel de control | |
| Setup | Network Settings | IP Mode | | Manual Configurar la dirección IP manualmente | |
| | | | | DHCP La red configura la dirección IP | |
| | | | | Static El producto configura la dirección IP | |
| | | IP | IP Byte 1–4 | 000–255 | Configurar la dirección IP en modo Manual |
| | | SMK | SubMask 1–4 | 000–255 | Configurar la máscara de subred en modo Manual |
| | Tilt Reverse | | | NO Inclinación normal | |
| | | | | YES Inclinación inversa | |
| | Zoom Reverse | | | NO Zoom normal | |
| | | | | YES Zoom invertido | |
| | Screen Reverse | | | NO Pantalla normal | |
| | | | | YES Pantalla inversa | |
| | | | | AUTO Orientación de pantalla automático | |
| | Tilt Angle | | | 200 Rango de inclinación: 200° | |
| | | | | 180 Rango de inclinación: 180° | |
| | | | | 60 Rango de inclinación: 60° | |
| | BL. O. P/T Move | | | NO No blackout mientras inclinación | |
| | | | | YES Blackout mientras inclinación | |
| | Backlight Timer | | | 30S La pantalla se apaga a los 30 segundos | |
| | | | | 1M La pantalla se apaga al cabo de 1 minuto | |
| | | | | 5M La pantalla se apaga al cabo de 5 minutos | |
| | | ON La pantalla permanece encendida | | | |
| Loss of Data | | | Hold Mantiene la última señal recibida | | |
| | | | Close Pone el dispositivo en blackout | | |
| Fans | | | Auto Velocidad del ventilador según la temperatura del producto | | |
| | | | Full Velocidad del ventilador siempre alta | | |
| | | | ECO Modo silencioso | | |
| Defrost Fan | | | OFF Activar ventilador de descongelación | | |
| | | | ON Desactivar ventilador de descongelación | | |
| C Mixing Mode | | | RGBW Mezcla de color aditivo (0–100%) | | |
| | | | CMY Mezcla de color sustractivo (100%–0) | | |

| Nivel Principal | Niveles de Programación | | Descripción | |
|------------------|----------------------------------|--|---|--|
| Setup | Dimmer Curve | Linear Square I Squa SCurve | Configura la curva del atenuador | |
| | Dimmer Speed | Smooth Fast | Cambia la velocidad del atenuador | |
| | PWM Option | 600Hz | 000-255 | Selecciona la frecuencia de emisión PWM |
| | | 1200Hz | | |
| | | 2000Hz | | |
| | | 4000Hz | | |
| | | 6000Hz | | |
| | Cell Order | 1-16 | 000-255 | La luz se activa de izquierda a derecha |
| | | 16-1 | | La luz se activa de derecha a izquierda |
| | Calibrated White | ON | 000-255 | Temperatura de emisión de luz predeterminada ajustada a 7500K |
| | | OFF | | Desactiva el ajuste de blanco calibrado |
| | | Custom | | Ajuste la temperatura de salida de luz usando la configuración de balance de blancos |
| | White Balance | Red | 000-255 | Configura el valor máximo del LED rojo |
| | | Green | | Configura el valor máximo del LED verde |
| | | Blue | | Configura el valor máximo del LED azul |
| White | | Configura el valor máximo del LED rojo | | |
| Preset Select | PRESET A PRESET B PRESET C | | Opciones de menú preconfiguradas grabadas | |
| Preset Sync | NO | | Permite transferir las opciones de menú preconfiguradas grabadas a otros COLORado PXL Bar 16 de la cadena DMX | |
| | YES | | | |
| USB Update | NO | | Habilita/deshabilita la actualización por USB | |
| | YES | | | |
| Reset Function | Tilt | NO | Restablece las funciones individuales o todas las funciones desde el arranque | |
| | | YES | | |
| | Zoom | NO | | |
| | | YES | | |
| | All | NO | | |
| | | YES | | |
| Factory Settings | NO | | Restablece el dispositivo a la configuración de fábrica | |
| | YES | | | |
| Information | Firmware Version | V_ | Muestra la versión de firmware | |
| | Running Mode | --- | Muestra el modo de ejecución actual | |
| | Address | --- | Muestra la dirección de inicio actual | |
| | Temperature | --- | Muestra la temperatura actual del producto en °C | |
| | Fixture Time | ----- | Muestra el número de horas que el producto ha estado encendido | |
| | LED Hours | ----- | Muestra el total de horas que el LED ha estado encendido | |
| | ArtNet Info | Ip | ----- | Muestra la dirección IP actual |
| | | SubMask | ----- | Muestra la máscara de subred actual |
| | | MAC | ----- | Muestra la dirección MAC actual |
| | Device UID | ----- | Muestra el UID del producto | |
| | Fan Information | Head Fan 1-10 | ---- | Muestra la velocidad del ventilador principal 1-10 en rpm |
| | | Defrost Fan 1-2 | ---- | Muestra la velocidad del ventiladores de descongelación en rpm |
| Base Fan 1-2 | | ---- | Muestra la velocidad del ventiladores base en rpm | |

Valores DMX
Single Control: Modo “Tour” (186CH)

| Canal | Función | Valor | Porcentaje/Configuración | |
|-------|---|-----------------|--|--------------------------------------|
| 1 | Inclinación | 000 ⇔ 255 | 0–100% | |
| 2 | Inclinación fino | 000 ⇔ 255 | 0–100% | |
| 3 | Velocidad de inclinación | 000 ⇔ 255 | 0–100% | |
| 4 | CTC | 000 | Sin función | |
| | | 001 ⇔ 255 | Temperature de color, 1900–2700 K | |
| 5 | Color | 000 ⇔ 255 | ver Catálogo de colores | |
| 6 | Diseños (ver Diseños) | 000 | Sin función | |
| | | 001 ⇔ 255 | Diseño 1–255 | |
| 7 | Macro LED | 000 ⇔ 255 | ver Macro LED | |
| 8 | Velocidad macro LED | 000 ⇔ 127 | Rápido a lento sentido horario | |
| | | 128 | Mantener | |
| | | 129 ⇔ 255 | Lento a rápido, sentido antihorario | |
| 9 | Retardo LED integrado | 000 ⇔ 255 | Rápido a lento | |
| 10 | Color de fondo | 000 ⇔ 255 | ver Catálogo de colores | |
| 11 | Atenuador de color de fondo | 000 ⇔ 255 | 0–100% | |
| 12 | Atenuador fino de color de fondo | 000 ⇔ 255 | 0–100% | |
| 13 | Atenuador | 000 ⇔ 255 | 0–100% | |
| 14 | Atenuador fino | 000 ⇔ 255 | 0–100% | |
| 15 | Obturador | 000 ⇔ 255 | ver Configuración de obturador | |
| 16 | Zoom 1 (ver Zonas de zoom) | 000 ⇔ 255 | Ancho a estrecho (Zona 1) | |
| 17 | Zoom 2 (ver Zonas de zoom) | 000 ⇔ 255 | Ancho a estrecho (Zona 2) | |
| 18 | Control | 000 ⇔ 255 | ver Configuración de control | |
| 19 | Rojo principal | 000 ⇔ 255 | Modo RGBW: 0–100% / Modo CMY: 100–0% | |
| 20 | Rojo principal fino | 000 ⇔ 255 | Modo RGBW: 0–100% / Modo CMY: 100–0% | |
| 21 | Verde principal | 000 ⇔ 255 | Modo RGBW: 0–100% / Modo CMY: 100–0% | |
| 22 | Verde principal fino | 000 ⇔ 255 | Modo RGBW: 0–100% / Modo CMY: 100–0% | |
| 23 | Azul principal | 000 ⇔ 255 | Modo RGBW: 0–100% / Modo CMY: 100–0% | |
| 24 | Azul principal fino | 000 ⇔ 255 | Modo RGBW: 0–100% / Modo CMY: 100–0% | |
| 25 | Blanco principal | 000 ⇔ 255 | Modo RGBW: 0–100% / Modo CMY: 100–0% | |
| 26 | Blanco principal fino | 000 ⇔ 255 | Modo RGBW: 0–100% / Modo CMY: 100–0% | |
| 27 | Atenuador 1 | 000 ⇔ 255 | 0–100% | |
| 28 | Atenuador fino 1 | 000 ⇔ 255 | 0–100% | |
| 29 | Rojo 1 | Cian 1 | 000 ⇔ 255 | Modo RGBW: 0–100% / Modo CMY: 100–0% |
| 30 | Rojo fino 1 | Cian fino 1 | 000 ⇔ 255 | Modo RGBW: 0–100% / Modo CMY: 100–0% |
| 31 | Verde 1 | Magenta 1 | 000 ⇔ 255 | Modo RGBW: 0–100% / Modo CMY: 100–0% |
| 32 | Verde fino 1 | Magenta fino 1 | 000 ⇔ 255 | Modo RGBW: 0–100% / Modo CMY: 100–0% |
| 33 | Azul 1 | Amarillo 1 | 000 ⇔ 255 | Modo RGBW: 0–100% / Modo CMY: 100–0% |
| 34 | Azul fino 1 | Amarillo fino 1 | 000 ⇔ 255 | Modo RGBW: 0–100% / Modo CMY: 100–0% |
| 35 | Blanco 1 | | 000 ⇔ 255 | Modo RGBW: 0–100% / Modo CMY: 100–0% |
| 36 | Blanco fino 1 | | 000 ⇔ 255 | Modo RGBW: 0–100% / Modo CMY: 100–0% |
| 37 | Atenuador 2 | | 000 ⇔ 255 | 0–100% |
| 38 | Atenuador fino 2 | | 000 ⇔ 255 | 0–100% |
| 39 | Rojo 2 | Cian 2 | 000 ⇔ 255 | Modo RGBW: 0–100% / Modo CMY: 100–0% |
| 40 | Rojo fino 2 | Cian fino 2 | 000 ⇔ 255 | Modo RGBW: 0–100% / Modo CMY: 100–0% |
| 41 | Verde 2 | Magenta 2 | 000 ⇔ 255 | Modo RGBW: 0–100% / Modo CMY: 100–0% |
| 42 | Verde fino 2 | Magenta fino 2 | 000 ⇔ 255 | Modo RGBW: 0–100% / Modo CMY: 100–0% |
| 43 | Azul 2 | Amarillo 2 | 000 ⇔ 255 | Modo RGBW: 0–100% / Modo CMY: 100–0% |
| 44 | Azul fino 2 | Amarillo fino 2 | 000 ⇔ 255 | Modo RGBW: 0–100% / Modo CMY: 100–0% |
| 45 | Blanco 2 | | 000 ⇔ 255 | Modo RGBW: 0–100% / Modo CMY: 100–0% |

| Canal | Función | | Valor | Porcentaje/Configuración |
|-------|------------------|-----------------|-----------|--------------------------------------|
| 46 | Blanco fino 2 | | 000 ⇔ 255 | Modo RGBW: 0–100% / Modo CMY: 100–0% |
| 47 | Atenuador 3 | | 000 ⇔ 255 | 0–100% |
| 48 | Atenuador fino 3 | | 000 ⇔ 255 | 0–100% |
| 49 | Rojo 3 | Cian 3 | 000 ⇔ 255 | Modo RGBW: 0–100% / Modo CMY: 100–0% |
| 50 | Rojo fino 3 | Cian fino 3 | 000 ⇔ 255 | Modo RGBW: 0–100% / Modo CMY: 100–0% |
| 51 | Verde 3 | Magenta 3 | 000 ⇔ 255 | Modo RGBW: 0–100% / Modo CMY: 100–0% |
| 52 | Verde fino 3 | Magenta fino 3 | 000 ⇔ 255 | Modo RGBW: 0–100% / Modo CMY: 100–0% |
| 53 | Azul 3 | Amarillo 3 | 000 ⇔ 255 | Modo RGBW: 0–100% / Modo CMY: 100–0% |
| 54 | Azul fino 3 | Amarillo fino 3 | 000 ⇔ 255 | Modo RGBW: 0–100% / Modo CMY: 100–0% |
| 55 | Blanco 3 | | 000 ⇔ 255 | Modo RGBW: 0–100% / Modo CMY: 100–0% |
| 56 | Blanco fino 3 | | 000 ⇔ 255 | Modo RGBW: 0–100% / Modo CMY: 100–0% |
| 57 | Atenuador 4 | | 000 ⇔ 255 | 0–100% |
| 58 | Atenuador fino 4 | | 000 ⇔ 255 | 0–100% |
| 59 | Rojo 4 | Cian 4 | 000 ⇔ 255 | Modo RGBW: 0–100% / Modo CMY: 100–0% |
| 60 | Rojo fino 4 | Cian fino 4 | 000 ⇔ 255 | Modo RGBW: 0–100% / Modo CMY: 100–0% |
| 61 | Verde 4 | Magenta 4 | 000 ⇔ 255 | Modo RGBW: 0–100% / Modo CMY: 100–0% |
| 62 | Verde fino 4 | Magenta fino 4 | 000 ⇔ 255 | Modo RGBW: 0–100% / Modo CMY: 100–0% |
| 63 | Azul 4 | Amarillo 4 | 000 ⇔ 255 | Modo RGBW: 0–100% / Modo CMY: 100–0% |
| 64 | Azul fino 4 | Amarillo fino 4 | 000 ⇔ 255 | Modo RGBW: 0–100% / Modo CMY: 100–0% |
| 65 | Blanco 4 | | 000 ⇔ 255 | Modo RGBW: 0–100% / Modo CMY: 100–0% |
| 66 | Blanco fino 4 | | 000 ⇔ 255 | Modo RGBW: 0–100% / Modo CMY: 100–0% |
| 67 | Atenuador 5 | | 000 ⇔ 255 | 0–100% |
| 68 | Atenuador fino 5 | | 000 ⇔ 255 | 0–100% |
| 69 | Rojo 5 | Cian 5 | 000 ⇔ 255 | Modo RGBW: 0–100% / Modo CMY: 100–0% |
| 70 | Rojo fino 5 | Cian fino 5 | 000 ⇔ 255 | Modo RGBW: 0–100% / Modo CMY: 100–0% |
| 71 | Verde 5 | Magenta 5 | 000 ⇔ 255 | Modo RGBW: 0–100% / Modo CMY: 100–0% |
| 72 | Verde fino 5 | Magenta fino 5 | 000 ⇔ 255 | Modo RGBW: 0–100% / Modo CMY: 100–0% |
| 73 | Azul 5 | Amarillo 5 | 000 ⇔ 255 | Modo RGBW: 0–100% / Modo CMY: 100–0% |
| 74 | Azul fino 5 | Amarillo fino 5 | 000 ⇔ 255 | Modo RGBW: 0–100% / Modo CMY: 100–0% |
| 75 | Blanco 5 | | 000 ⇔ 255 | Modo RGBW: 0–100% / Modo CMY: 100–0% |
| 76 | Blanco fino 5 | | 000 ⇔ 255 | Modo RGBW: 0–100% / Modo CMY: 100–0% |
| 77 | Atenuador 6 | | 000 ⇔ 255 | 0–100% |
| 78 | Atenuador fino 6 | | 000 ⇔ 255 | 0–100% |
| 79 | Rojo 6 | Cian 6 | 000 ⇔ 255 | Modo RGBW: 0–100% / Modo CMY: 100–0% |
| 80 | Rojo fino 6 | Cian fino 6 | 000 ⇔ 255 | Modo RGBW: 0–100% / Modo CMY: 100–0% |
| 81 | Verde 6 | Magenta 6 | 000 ⇔ 255 | Modo RGBW: 0–100% / Modo CMY: 100–0% |
| 82 | Verde fino 6 | Magenta fino 6 | 000 ⇔ 255 | Modo RGBW: 0–100% / Modo CMY: 100–0% |
| 83 | Azul 6 | Amarillo 6 | 000 ⇔ 255 | Modo RGBW: 0–100% / Modo CMY: 100–0% |
| 84 | Azul fino 6 | Amarillo fino 6 | 000 ⇔ 255 | Modo RGBW: 0–100% / Modo CMY: 100–0% |
| 85 | Blanco 6 | | 000 ⇔ 255 | Modo RGBW: 0–100% / Modo CMY: 100–0% |
| 86 | Blanco fino 6 | | 000 ⇔ 255 | Modo RGBW: 0–100% / Modo CMY: 100–0% |
| 87 | Atenuador 7 | | 000 ⇔ 255 | 0–100% |
| 88 | Atenuador fino 7 | | 000 ⇔ 255 | 0–100% |
| 89 | Rojo 7 | Cian 7 | 000 ⇔ 255 | Modo RGBW: 0–100% / Modo CMY: 100–0% |
| 90 | Rojo fino 7 | Cian fino 7 | 000 ⇔ 255 | Modo RGBW: 0–100% / Modo CMY: 100–0% |
| 91 | Verde 7 | Magenta 7 | 000 ⇔ 255 | Modo RGBW: 0–100% / Modo CMY: 100–0% |
| 92 | Verde fino 7 | Magenta fino 7 | 000 ⇔ 255 | Modo RGBW: 0–100% / Modo CMY: 100–0% |
| 93 | Azul 7 | Amarillo 7 | 000 ⇔ 255 | Modo RGBW: 0–100% / Modo CMY: 100–0% |
| 94 | Azul fino 7 | Amarillo fino 7 | 000 ⇔ 255 | Modo RGBW: 0–100% / Modo CMY: 100–0% |
| 95 | Blanco 7 | | 000 ⇔ 255 | Modo RGBW: 0–100% / Modo CMY: 100–0% |
| 96 | Blanco fino 7 | | 000 ⇔ 255 | Modo RGBW: 0–100% / Modo CMY: 100–0% |

| Canal | Función | Valor | Porcentaje/Configuración |
|-------|------------------------------------|-----------|--------------------------------------|
| 97 | Atenuador 8 | 000 ⇔ 255 | 0–100% |
| 98 | Atenuador fino 8 | 000 ⇔ 255 | 0–100% |
| 99 | Rojo 8 Cian 8 | 000 ⇔ 255 | Modo RGBW: 0–100% / Modo CMY: 100–0% |
| 100 | Rojo fino 8 Cian fino 8 | 000 ⇔ 255 | Modo RGBW: 0–100% / Modo CMY: 100–0% |
| 101 | Verde 8 Magenta 8 | 000 ⇔ 255 | Modo RGBW: 0–100% / Modo CMY: 100–0% |
| 102 | Verde fino 8 Magenta fino 8 | 000 ⇔ 255 | Modo RGBW: 0–100% / Modo CMY: 100–0% |
| 103 | Azul 8 Amarillo 8 | 000 ⇔ 255 | Modo RGBW: 0–100% / Modo CMY: 100–0% |
| 104 | Azul fino 8 Amarillo fino 8 | 000 ⇔ 255 | Modo RGBW: 0–100% / Modo CMY: 100–0% |
| 105 | Blanco 8 | 000 ⇔ 255 | Modo RGBW: 0–100% / Modo CMY: 100–0% |
| 106 | Blanco fino 8 | 000 ⇔ 255 | Modo RGBW: 0–100% / Modo CMY: 100–0% |
| 107 | Atenuador 9 | 000 ⇔ 255 | 0–100% |
| 108 | Atenuador fino 9 | 000 ⇔ 255 | 0–100% |
| 109 | Rojo 9 Cian 9 | 000 ⇔ 255 | Modo RGBW: 0–100% / Modo CMY: 100–0% |
| 110 | Rojo fino 9 Cian fino 9 | 000 ⇔ 255 | Modo RGBW: 0–100% / Modo CMY: 100–0% |
| 111 | Verde 9 Magenta 9 | 000 ⇔ 255 | Modo RGBW: 0–100% / Modo CMY: 100–0% |
| 112 | Verde fino 9 Magenta fino 9 | 000 ⇔ 255 | Modo RGBW: 0–100% / Modo CMY: 100–0% |
| 113 | Azul 9 Amarillo 9 | 000 ⇔ 255 | Modo RGBW: 0–100% / Modo CMY: 100–0% |
| 114 | Azul fino 9 Amarillo fino 9 | 000 ⇔ 255 | Modo RGBW: 0–100% / Modo CMY: 100–0% |
| 115 | Blanco 9 | 000 ⇔ 255 | Modo RGBW: 0–100% / Modo CMY: 100–0% |
| 116 | Blanco fino 9 | 000 ⇔ 255 | Modo RGBW: 0–100% / Modo CMY: 100–0% |
| 117 | Atenuador 10 | 000 ⇔ 255 | 0–100% |
| 118 | Atenuador fino 10 | 000 ⇔ 255 | 0–100% |
| 119 | Rojo 10 Cian 10 | 000 ⇔ 255 | Modo RGBW: 0–100% / Modo CMY: 100–0% |
| 120 | Rojo fino 10 Cian fino 10 | 000 ⇔ 255 | Modo RGBW: 0–100% / Modo CMY: 100–0% |
| 121 | Verde 10 Magenta 10 | 000 ⇔ 255 | Modo RGBW: 0–100% / Modo CMY: 100–0% |
| 122 | Verde fino 10 Magenta fino 10 | 000 ⇔ 255 | Modo RGBW: 0–100% / Modo CMY: 100–0% |
| 123 | Azul 10 Amarillo 10 | 000 ⇔ 255 | Modo RGBW: 0–100% / Modo CMY: 100–0% |
| 124 | Azul fino 10 Amarillo fino 10 | 000 ⇔ 255 | Modo RGBW: 0–100% / Modo CMY: 100–0% |
| 125 | Blanco 10 | 000 ⇔ 255 | Modo RGBW: 0–100% / Modo CMY: 100–0% |
| 126 | Blanco fino 10 | 000 ⇔ 255 | Modo RGBW: 0–100% / Modo CMY: 100–0% |
| 127 | Atenuador 11 | 000 ⇔ 255 | 0–100% |
| 128 | Atenuador fino 11 | 000 ⇔ 255 | 0–100% |
| 129 | Rojo 11 Cian 11 | 000 ⇔ 255 | Modo RGBW: 0–100% / Modo CMY: 100–0% |
| 130 | Rojo fino 11 Cian fino 11 | 000 ⇔ 255 | Modo RGBW: 0–100% / Modo CMY: 100–0% |
| 131 | Verde 11 Magenta 11 | 000 ⇔ 255 | Modo RGBW: 0–100% / Modo CMY: 100–0% |
| 132 | Verde fino 11 Magenta fino 11 | 000 ⇔ 255 | Modo RGBW: 0–100% / Modo CMY: 100–0% |
| 133 | Azul 11 Amarillo 11 | 000 ⇔ 255 | Modo RGBW: 0–100% / Modo CMY: 100–0% |
| 134 | Azul fino 11 Amarillo fino 11 | 000 ⇔ 255 | Modo RGBW: 0–100% / Modo CMY: 100–0% |
| 135 | Blanco 11 | 000 ⇔ 255 | Modo RGBW: 0–100% / Modo CMY: 100–0% |
| 136 | Blanco fino 11 | 000 ⇔ 255 | Modo RGBW: 0–100% / Modo CMY: 100–0% |
| 137 | Atenuador 12 | 000 ⇔ 255 | 0–100% |
| 138 | Atenuador fino 12 | 000 ⇔ 255 | 0–100% |
| 139 | Rojo 12 Cian 12 | 000 ⇔ 255 | Modo RGBW: 0–100% / Modo CMY: 100–0% |
| 140 | Rojo fino 12 Cian fino 12 | 000 ⇔ 255 | Modo RGBW: 0–100% / Modo CMY: 100–0% |
| 141 | Verde 12 Magenta 12 | 000 ⇔ 255 | Modo RGBW: 0–100% / Modo CMY: 100–0% |
| 142 | Verde fino 12 Magenta fino 12 | 000 ⇔ 255 | Modo RGBW: 0–100% / Modo CMY: 100–0% |
| 143 | Azul 12 Amarillo 12 | 000 ⇔ 255 | Modo RGBW: 0–100% / Modo CMY: 100–0% |
| 144 | Azul fino 12 Amarillo fino 12 | 000 ⇔ 255 | Modo RGBW: 0–100% / Modo CMY: 100–0% |
| 145 | Blanco 12 | 000 ⇔ 255 | Modo RGBW: 0–100% / Modo CMY: 100–0% |
| 146 | Blanco fino 12 | 000 ⇔ 255 | Modo RGBW: 0–100% / Modo CMY: 100–0% |

| Canal | Función | | Valor | Porcentaje/Configuración |
|-------|-------------------|------------------|-----------|--------------------------------------|
| 147 | Atenuador 13 | | 000 ⇔ 255 | 0–100% |
| 148 | Atenuador fino 13 | | 000 ⇔ 255 | 0–100% |
| 149 | Rojo 13 | Cian 13 | 000 ⇔ 255 | Modo RGBW: 0–100% / Modo CMY: 100–0% |
| 150 | Rojo fino 13 | Cian fino 13 | 000 ⇔ 255 | Modo RGBW: 0–100% / Modo CMY: 100–0% |
| 151 | Verde 13 | Magenta 13 | 000 ⇔ 255 | Modo RGBW: 0–100% / Modo CMY: 100–0% |
| 152 | Verde fino 13 | Magenta fino 13 | 000 ⇔ 255 | Modo RGBW: 0–100% / Modo CMY: 100–0% |
| 153 | Azul 13 | Amarillo 13 | 000 ⇔ 255 | Modo RGBW: 0–100% / Modo CMY: 100–0% |
| 154 | Azul fino 13 | Amarillo fino 13 | 000 ⇔ 255 | Modo RGBW: 0–100% / Modo CMY: 100–0% |
| 155 | Blanco 13 | | 000 ⇔ 255 | Modo RGBW: 0–100% / Modo CMY: 100–0% |
| 156 | Blanco fino 13 | | 000 ⇔ 255 | Modo RGBW: 0–100% / Modo CMY: 100–0% |
| 157 | Atenuador 14 | | 000 ⇔ 255 | 0–100% |
| 158 | Atenuador fino 14 | | 000 ⇔ 255 | 0–100% |
| 159 | Rojo 14 | Cian 14 | 000 ⇔ 255 | Modo RGBW: 0–100% / Modo CMY: 100–0% |
| 160 | Rojo fino 14 | Cian fino 14 | 000 ⇔ 255 | Modo RGBW: 0–100% / Modo CMY: 100–0% |
| 161 | Verde 14 | Magenta 14 | 000 ⇔ 255 | Modo RGBW: 0–100% / Modo CMY: 100–0% |
| 162 | Verde fino 14 | Magenta fino 14 | 000 ⇔ 255 | Modo RGBW: 0–100% / Modo CMY: 100–0% |
| 163 | Azul 14 | Amarillo 14 | 000 ⇔ 255 | Modo RGBW: 0–100% / Modo CMY: 100–0% |
| 164 | Azul fino 14 | Amarillo fino 14 | 000 ⇔ 255 | Modo RGBW: 0–100% / Modo CMY: 100–0% |
| 165 | Blanco 14 | | 000 ⇔ 255 | Modo RGBW: 0–100% / Modo CMY: 100–0% |
| 166 | Blanco fino 14 | | 000 ⇔ 255 | Modo RGBW: 0–100% / Modo CMY: 100–0% |
| 167 | Atenuador 15 | | 000 ⇔ 255 | 0–100% |
| 168 | Atenuador fino 15 | | 000 ⇔ 255 | 0–100% |
| 169 | Rojo 15 | Cian 15 | 000 ⇔ 255 | Modo RGBW: 0–100% / Modo CMY: 100–0% |
| 170 | Rojo fino 15 | Cian fino 15 | 000 ⇔ 255 | Modo RGBW: 0–100% / Modo CMY: 100–0% |
| 171 | Verde 15 | Magenta 15 | 000 ⇔ 255 | Modo RGBW: 0–100% / Modo CMY: 100–0% |
| 172 | Verde fino 15 | Magenta fino 15 | 000 ⇔ 255 | Modo RGBW: 0–100% / Modo CMY: 100–0% |
| 173 | Azul 15 | Amarillo 15 | 000 ⇔ 255 | Modo RGBW: 0–100% / Modo CMY: 100–0% |
| 174 | Azul fino 15 | Amarillo fino 15 | 000 ⇔ 255 | Modo RGBW: 0–100% / Modo CMY: 100–0% |
| 175 | Blanco 15 | | 000 ⇔ 255 | Modo RGBW: 0–100% / Modo CMY: 100–0% |
| 176 | Blanco fino 15 | | 000 ⇔ 255 | Modo RGBW: 0–100% / Modo CMY: 100–0% |
| 177 | Atenuador 16 | | 000 ⇔ 255 | 0–100% |
| 178 | Atenuador fino 16 | | 000 ⇔ 255 | 0–100% |
| 179 | Rojo 16 | Cian 16 | 000 ⇔ 255 | Modo RGBW: 0–100% / Modo CMY: 100–0% |
| 180 | Rojo fino 16 | Cian fino 16 | 000 ⇔ 255 | Modo RGBW: 0–100% / Modo CMY: 100–0% |
| 181 | Verde 16 | Magenta 16 | 000 ⇔ 255 | Modo RGBW: 0–100% / Modo CMY: 100–0% |
| 182 | Verde fino 16 | Magenta fino 16 | 000 ⇔ 255 | Modo RGBW: 0–100% / Modo CMY: 100–0% |
| 183 | Azul 16 | Amarillo 16 | 000 ⇔ 255 | Modo RGBW: 0–100% / Modo CMY: 100–0% |
| 184 | Azul fino 16 | Amarillo fino 16 | 000 ⇔ 255 | Modo RGBW: 0–100% / Modo CMY: 100–0% |
| 185 | Blanco 16 | | 000 ⇔ 255 | Modo RGBW: 0–100% / Modo CMY: 100–0% |
| 186 | Blanco fino 16 | | 000 ⇔ 255 | Modo RGBW: 0–100% / Modo CMY: 100–0% |

Single Control: Modo “Advanced” (154CH)

| Canal | Función | Valor | Porcentaje/Configuración |
|-------|---|-----------|--|
| 1 | Inclinación | 000 ⇔ 255 | 0–100% |
| 2 | Inclinación fino | 000 ⇔ 255 | 0–100% |
| 3 | Velocidad de inclinación | 000 ⇔ 255 | 0–100% |
| 4 | CTC | 000 | Sin función |
| | | 001 ⇔ 255 | Temperature de color, 1900–2700 K |
| 5 | Color | 000 ⇔ 255 | ver Catálogo de colores |
| 6 | Diseños (ver Diseños) | 000 | Sin función |
| | | 001 ⇔ 255 | Diseño 1–255 |
| 7 | Macro LED | 000 ⇔ 255 | ver Macro LED |
| 8 | Velocidad macro LED | 000 ⇔ 127 | Rápido a lento sentido horario |
| | | 128 | Mantener |
| | | 129 ⇔ 255 | Lento a rápido, sentido antihorario |
| 9 | Retardo LED integrado | 000 ⇔ 255 | Rápido a lento |
| 10 | Color de fondo | 000 ⇔ 255 | ver Catálogo de colores |
| 11 | Atenuador de color de fondo | 000 ⇔ 255 | 0–100% |
| 12 | Atenuador fino de color de fondo | 000 ⇔ 255 | 0–100% |
| 13 | Atenuador | 000 ⇔ 255 | 0–100% |
| 14 | Atenuador fino | 000 ⇔ 255 | 0–100% |
| 15 | Obturador | 000 ⇔ 255 | ver Configuración de obturador |
| 16 | Zoom 1 (ver Zonas de zoom) | 000 ⇔ 255 | Ancho a estrecho (Zona 1) |
| 17 | Zoom 2 (ver Zonas de zoom) | 000 ⇔ 255 | Ancho a estrecho (Zona 2) |
| 18 | Control | 000 ⇔ 255 | ver Configuración de control |
| 19 | Rojo principal | 000 ⇔ 255 | Modo RGBW: 0–100% / Modo CMY: 100–0% |
| 20 | Rojo principal fino | 000 ⇔ 255 | Modo RGBW: 0–100% / Modo CMY: 100–0% |
| 21 | Verde principal | 000 ⇔ 255 | Modo RGBW: 0–100% / Modo CMY: 100–0% |
| 22 | Verde principal fino | 000 ⇔ 255 | Modo RGBW: 0–100% / Modo CMY: 100–0% |
| 23 | Azul principal | 000 ⇔ 255 | Modo RGBW: 0–100% / Modo CMY: 100–0% |
| 24 | Azul principal fino | 000 ⇔ 255 | Modo RGBW: 0–100% / Modo CMY: 100–0% |
| 25 | Blanco principal | 000 ⇔ 255 | Modo RGBW: 0–100% / Modo CMY: 100–0% |
| 26 | Blanco principal fino | 000 ⇔ 255 | Modo RGBW: 0–100% / Modo CMY: 100–0% |
| 27 | Rojo 1 Cian 1 | 000 ⇔ 255 | Modo RGBW: 0–100% / Modo CMY: 100–0% |
| 28 | Rojo fino 1 Cian fino 1 | 000 ⇔ 255 | Modo RGBW: 0–100% / Modo CMY: 100–0% |
| 29 | Verde 1 Magenta 1 | 000 ⇔ 255 | Modo RGBW: 0–100% / Modo CMY: 100–0% |
| 30 | Verde fino 1 Magenta fino 1 | 000 ⇔ 255 | Modo RGBW: 0–100% / Modo CMY: 100–0% |
| 31 | Azul 1 Amarillo 1 | 000 ⇔ 255 | Modo RGBW: 0–100% / Modo CMY: 100–0% |
| 32 | Azul fino 1 Amarillo fino 1 | 000 ⇔ 255 | Modo RGBW: 0–100% / Modo CMY: 100–0% |
| 33 | Blanco 1 | 000 ⇔ 255 | Modo RGBW: 0–100% / Modo CMY: 100–0% |
| 34 | Blanco fino 1 | 000 ⇔ 255 | Modo RGBW: 0–100% / Modo CMY: 100–0% |
| 35 | Rojo 2 Cian 2 | 000 ⇔ 255 | Modo RGBW: 0–100% / Modo CMY: 100–0% |
| 36 | Rojo fino 2 Cian fino 2 | 000 ⇔ 255 | Modo RGBW: 0–100% / Modo CMY: 100–0% |
| 37 | Verde 2 Magenta 2 | 000 ⇔ 255 | Modo RGBW: 0–100% / Modo CMY: 100–0% |
| 38 | Verde fino 2 Magenta fino 2 | 000 ⇔ 255 | Modo RGBW: 0–100% / Modo CMY: 100–0% |
| 39 | Azul 2 Amarillo 2 | 000 ⇔ 255 | Modo RGBW: 0–100% / Modo CMY: 100–0% |
| 40 | Azul fino 2 Amarillo fino 2 | 000 ⇔ 255 | Modo RGBW: 0–100% / Modo CMY: 100–0% |
| 41 | Blanco 2 | 000 ⇔ 255 | Modo RGBW: 0–100% / Modo CMY: 100–0% |
| 42 | Blanco fino 2 | 000 ⇔ 255 | Modo RGBW: 0–100% / Modo CMY: 100–0% |
| 43 | Rojo 3 Cian 3 | 000 ⇔ 255 | Modo RGBW: 0–100% / Modo CMY: 100–0% |
| 44 | Rojo fino 3 Cian fino 3 | 000 ⇔ 255 | Modo RGBW: 0–100% / Modo CMY: 100–0% |
| 45 | Verde 3 Magenta 3 | 000 ⇔ 255 | Modo RGBW: 0–100% / Modo CMY: 100–0% |
| 46 | Verde fino 3 Magenta fino 3 | 000 ⇔ 255 | Modo RGBW: 0–100% / Modo CMY: 100–0% |

| Canal | Función | | Valor | Porcentaje/Configuración |
|-------|---------------|-----------------|-----------|--------------------------------------|
| 47 | Azul 3 | Amarillo 3 | 000 ⇔ 255 | Modo RGBW: 0–100% / Modo CMY: 100–0% |
| 48 | Azul fino 3 | Amarillo fino 3 | 000 ⇔ 255 | Modo RGBW: 0–100% / Modo CMY: 100–0% |
| 49 | Blanco 3 | | 000 ⇔ 255 | Modo RGBW: 0–100% / Modo CMY: 100–0% |
| 50 | Blanco fino 3 | | 000 ⇔ 255 | Modo RGBW: 0–100% / Modo CMY: 100–0% |
| 51 | Rojo 4 | Cian 4 | 000 ⇔ 255 | Modo RGBW: 0–100% / Modo CMY: 100–0% |
| 52 | Rojo fino 4 | Cian fino 4 | 000 ⇔ 255 | Modo RGBW: 0–100% / Modo CMY: 100–0% |
| 53 | Verde 4 | Magenta 4 | 000 ⇔ 255 | Modo RGBW: 0–100% / Modo CMY: 100–0% |
| 54 | Verde fino 4 | Magenta fino 4 | 000 ⇔ 255 | Modo RGBW: 0–100% / Modo CMY: 100–0% |
| 55 | Azul 4 | Amarillo 4 | 000 ⇔ 255 | Modo RGBW: 0–100% / Modo CMY: 100–0% |
| 56 | Azul fino 4 | Amarillo fino 4 | 000 ⇔ 255 | Modo RGBW: 0–100% / Modo CMY: 100–0% |
| 57 | Blanco 4 | | 000 ⇔ 255 | Modo RGBW: 0–100% / Modo CMY: 100–0% |
| 58 | Blanco fino 4 | | 000 ⇔ 255 | Modo RGBW: 0–100% / Modo CMY: 100–0% |
| 59 | Rojo 5 | Cian 5 | 000 ⇔ 255 | Modo RGBW: 0–100% / Modo CMY: 100–0% |
| 60 | Rojo fino 5 | Cian fino 5 | 000 ⇔ 255 | Modo RGBW: 0–100% / Modo CMY: 100–0% |
| 61 | Verde 5 | Magenta 5 | 000 ⇔ 255 | Modo RGBW: 0–100% / Modo CMY: 100–0% |
| 62 | Verde fino 5 | Magenta fino 5 | 000 ⇔ 255 | Modo RGBW: 0–100% / Modo CMY: 100–0% |
| 63 | Azul 5 | Amarillo 5 | 000 ⇔ 255 | Modo RGBW: 0–100% / Modo CMY: 100–0% |
| 64 | Azul fino 5 | Amarillo fino 5 | 000 ⇔ 255 | Modo RGBW: 0–100% / Modo CMY: 100–0% |
| 65 | Blanco 5 | | 000 ⇔ 255 | Modo RGBW: 0–100% / Modo CMY: 100–0% |
| 66 | Blanco fino 5 | | 000 ⇔ 255 | Modo RGBW: 0–100% / Modo CMY: 100–0% |
| 67 | Rojo 6 | Cian 6 | 000 ⇔ 255 | Modo RGBW: 0–100% / Modo CMY: 100–0% |
| 68 | Rojo fino 6 | Cian fino 6 | 000 ⇔ 255 | Modo RGBW: 0–100% / Modo CMY: 100–0% |
| 69 | Verde 6 | Magenta 6 | 000 ⇔ 255 | Modo RGBW: 0–100% / Modo CMY: 100–0% |
| 70 | Verde fino 6 | Magenta fino 6 | 000 ⇔ 255 | Modo RGBW: 0–100% / Modo CMY: 100–0% |
| 71 | Azul 6 | Amarillo 6 | 000 ⇔ 255 | Modo RGBW: 0–100% / Modo CMY: 100–0% |
| 72 | Azul fino 6 | Amarillo fino 6 | 000 ⇔ 255 | Modo RGBW: 0–100% / Modo CMY: 100–0% |
| 73 | Blanco 6 | | 000 ⇔ 255 | Modo RGBW: 0–100% / Modo CMY: 100–0% |
| 74 | Blanco fino 6 | | 000 ⇔ 255 | Modo RGBW: 0–100% / Modo CMY: 100–0% |
| 75 | Rojo 7 | Cian 7 | 000 ⇔ 255 | Modo RGBW: 0–100% / Modo CMY: 100–0% |
| 76 | Rojo fino 7 | Cian fino 7 | 000 ⇔ 255 | Modo RGBW: 0–100% / Modo CMY: 100–0% |
| 77 | Verde 7 | Magenta 7 | 000 ⇔ 255 | Modo RGBW: 0–100% / Modo CMY: 100–0% |
| 78 | Verde fino 7 | Magenta fino 7 | 000 ⇔ 255 | Modo RGBW: 0–100% / Modo CMY: 100–0% |
| 79 | Azul 7 | Amarillo 7 | 000 ⇔ 255 | Modo RGBW: 0–100% / Modo CMY: 100–0% |
| 80 | Azul fino 7 | Amarillo fino 7 | 000 ⇔ 255 | Modo RGBW: 0–100% / Modo CMY: 100–0% |
| 81 | Blanco 7 | | 000 ⇔ 255 | Modo RGBW: 0–100% / Modo CMY: 100–0% |
| 82 | Blanco fino 7 | | 000 ⇔ 255 | Modo RGBW: 0–100% / Modo CMY: 100–0% |
| 83 | Rojo 8 | Cian 8 | 000 ⇔ 255 | Modo RGBW: 0–100% / Modo CMY: 100–0% |
| 84 | Rojo fino 8 | Cian fino 8 | 000 ⇔ 255 | Modo RGBW: 0–100% / Modo CMY: 100–0% |
| 85 | Verde 8 | Magenta 8 | 000 ⇔ 255 | Modo RGBW: 0–100% / Modo CMY: 100–0% |
| 86 | Verde fino 8 | Magenta fino 8 | 000 ⇔ 255 | Modo RGBW: 0–100% / Modo CMY: 100–0% |
| 87 | Azul 8 | Amarillo 8 | 000 ⇔ 255 | Modo RGBW: 0–100% / Modo CMY: 100–0% |
| 88 | Azul fino 8 | Amarillo fino 8 | 000 ⇔ 255 | Modo RGBW: 0–100% / Modo CMY: 100–0% |
| 89 | Blanco 8 | | 000 ⇔ 255 | Modo RGBW: 0–100% / Modo CMY: 100–0% |
| 90 | Blanco fino 8 | | 000 ⇔ 255 | Modo RGBW: 0–100% / Modo CMY: 100–0% |
| 91 | Rojo 9 | Cian 9 | 000 ⇔ 255 | Modo RGBW: 0–100% / Modo CMY: 100–0% |
| 92 | Rojo fino 9 | Cian fino 9 | 000 ⇔ 255 | Modo RGBW: 0–100% / Modo CMY: 100–0% |
| 93 | Verde 9 | Magenta 9 | 000 ⇔ 255 | Modo RGBW: 0–100% / Modo CMY: 100–0% |
| 94 | Verde fino 9 | Magenta fino 9 | 000 ⇔ 255 | Modo RGBW: 0–100% / Modo CMY: 100–0% |
| 95 | Azul 9 | Amarillo 9 | 000 ⇔ 255 | Modo RGBW: 0–100% / Modo CMY: 100–0% |
| 96 | Azul fino 9 | Amarillo fino 9 | 000 ⇔ 255 | Modo RGBW: 0–100% / Modo CMY: 100–0% |
| 97 | Blanco 9 | | 000 ⇔ 255 | Modo RGBW: 0–100% / Modo CMY: 100–0% |

| Canal | Función | Valor | Porcentaje/Configuración |
|-------|------------------------------------|-----------|--------------------------------------|
| 98 | Blanco fino 9 | 000 ⇔ 255 | Modo RGBW: 0–100% / Modo CMY: 100–0% |
| 99 | Rojo 10 Cian 10 | 000 ⇔ 255 | Modo RGBW: 0–100% / Modo CMY: 100–0% |
| 100 | Rojo fino 10 Cian fino 10 | 000 ⇔ 255 | Modo RGBW: 0–100% / Modo CMY: 100–0% |
| 101 | Verde 10 Magenta 10 | 000 ⇔ 255 | Modo RGBW: 0–100% / Modo CMY: 100–0% |
| 102 | Verde fino 10 Magenta fino 10 | 000 ⇔ 255 | Modo RGBW: 0–100% / Modo CMY: 100–0% |
| 103 | Azul 10 Amarillo 10 | 000 ⇔ 255 | Modo RGBW: 0–100% / Modo CMY: 100–0% |
| 104 | Azul fino 10 Amarillo fino 10 | 000 ⇔ 255 | Modo RGBW: 0–100% / Modo CMY: 100–0% |
| 105 | Blanco 10 | 000 ⇔ 255 | Modo RGBW: 0–100% / Modo CMY: 100–0% |
| 106 | Blanco fino 10 | 000 ⇔ 255 | Modo RGBW: 0–100% / Modo CMY: 100–0% |
| 107 | Rojo 11 Cian 11 | 000 ⇔ 255 | Modo RGBW: 0–100% / Modo CMY: 100–0% |
| 108 | Rojo fino 11 Cian fino 11 | 000 ⇔ 255 | Modo RGBW: 0–100% / Modo CMY: 100–0% |
| 109 | Verde 11 Magenta 11 | 000 ⇔ 255 | Modo RGBW: 0–100% / Modo CMY: 100–0% |
| 110 | Verde fino 11 Magenta fino 11 | 000 ⇔ 255 | Modo RGBW: 0–100% / Modo CMY: 100–0% |
| 111 | Azul 11 Amarillo 11 | 000 ⇔ 255 | Modo RGBW: 0–100% / Modo CMY: 100–0% |
| 112 | Azul fino 11 Amarillo fino 11 | 000 ⇔ 255 | Modo RGBW: 0–100% / Modo CMY: 100–0% |
| 113 | Blanco 11 | 000 ⇔ 255 | Modo RGBW: 0–100% / Modo CMY: 100–0% |
| 114 | Blanco fino 11 | 000 ⇔ 255 | Modo RGBW: 0–100% / Modo CMY: 100–0% |
| 115 | Rojo 12 Cian 12 | 000 ⇔ 255 | Modo RGBW: 0–100% / Modo CMY: 100–0% |
| 116 | Rojo fino 12 Cian fino 12 | 000 ⇔ 255 | Modo RGBW: 0–100% / Modo CMY: 100–0% |
| 117 | Verde 12 Magenta 12 | 000 ⇔ 255 | Modo RGBW: 0–100% / Modo CMY: 100–0% |
| 118 | Verde fino 12 Magenta fino 12 | 000 ⇔ 255 | Modo RGBW: 0–100% / Modo CMY: 100–0% |
| 119 | Azul 12 Amarillo 12 | 000 ⇔ 255 | Modo RGBW: 0–100% / Modo CMY: 100–0% |
| 120 | Azul fino 12 Amarillo fino 12 | 000 ⇔ 255 | Modo RGBW: 0–100% / Modo CMY: 100–0% |
| 121 | Blanco 12 | 000 ⇔ 255 | Modo RGBW: 0–100% / Modo CMY: 100–0% |
| 122 | Blanco fino 12 | 000 ⇔ 255 | Modo RGBW: 0–100% / Modo CMY: 100–0% |
| 123 | Rojo 13 Cian 13 | 000 ⇔ 255 | Modo RGBW: 0–100% / Modo CMY: 100–0% |
| 124 | Rojo fino 13 Cian fino 13 | 000 ⇔ 255 | Modo RGBW: 0–100% / Modo CMY: 100–0% |
| 125 | Verde 13 Magenta 13 | 000 ⇔ 255 | Modo RGBW: 0–100% / Modo CMY: 100–0% |
| 126 | Verde fino 13 Magenta fino 13 | 000 ⇔ 255 | Modo RGBW: 0–100% / Modo CMY: 100–0% |
| 127 | Azul 13 Amarillo 13 | 000 ⇔ 255 | Modo RGBW: 0–100% / Modo CMY: 100–0% |
| 128 | Azul fino 13 Amarillo fino 13 | 000 ⇔ 255 | Modo RGBW: 0–100% / Modo CMY: 100–0% |
| 129 | Blanco 13 | 000 ⇔ 255 | Modo RGBW: 0–100% / Modo CMY: 100–0% |
| 130 | Blanco fino 13 | 000 ⇔ 255 | Modo RGBW: 0–100% / Modo CMY: 100–0% |
| 131 | Rojo 14 Cian 14 | 000 ⇔ 255 | Modo RGBW: 0–100% / Modo CMY: 100–0% |
| 132 | Rojo fino 14 Cian fino 14 | 000 ⇔ 255 | Modo RGBW: 0–100% / Modo CMY: 100–0% |
| 133 | Verde 14 Magenta 14 | 000 ⇔ 255 | Modo RGBW: 0–100% / Modo CMY: 100–0% |
| 134 | Verde fino 14 Magenta fino 14 | 000 ⇔ 255 | Modo RGBW: 0–100% / Modo CMY: 100–0% |
| 135 | Azul 14 Amarillo 14 | 000 ⇔ 255 | Modo RGBW: 0–100% / Modo CMY: 100–0% |
| 136 | Azul fino 14 Amarillo fino 14 | 000 ⇔ 255 | Modo RGBW: 0–100% / Modo CMY: 100–0% |
| 137 | Blanco 14 | 000 ⇔ 255 | Modo RGBW: 0–100% / Modo CMY: 100–0% |
| 138 | Blanco fino 14 | 000 ⇔ 255 | Modo RGBW: 0–100% / Modo CMY: 100–0% |
| 139 | Rojo 15 Cian 15 | 000 ⇔ 255 | Modo RGBW: 0–100% / Modo CMY: 100–0% |
| 140 | Rojo fino 15 Cian fino 15 | 000 ⇔ 255 | Modo RGBW: 0–100% / Modo CMY: 100–0% |
| 141 | Verde 15 Magenta 15 | 000 ⇔ 255 | Modo RGBW: 0–100% / Modo CMY: 100–0% |
| 142 | Verde fino 15 Magenta fino 15 | 000 ⇔ 255 | Modo RGBW: 0–100% / Modo CMY: 100–0% |
| 143 | Azul 15 Amarillo 15 | 000 ⇔ 255 | Modo RGBW: 0–100% / Modo CMY: 100–0% |
| 144 | Azul fino 15 Amarillo fino 15 | 000 ⇔ 255 | Modo RGBW: 0–100% / Modo CMY: 100–0% |
| 145 | Blanco 15 | 000 ⇔ 255 | Modo RGBW: 0–100% / Modo CMY: 100–0% |
| 146 | Blanco fino 15 | 000 ⇔ 255 | Modo RGBW: 0–100% / Modo CMY: 100–0% |
| 147 | Rojo 16 Cian 16 | 000 ⇔ 255 | Modo RGBW: 0–100% / Modo CMY: 100–0% |
| 148 | Rojo fino 16 Cian fino 16 | 000 ⇔ 255 | Modo RGBW: 0–100% / Modo CMY: 100–0% |

| Canal | Función | | Valor | Porcentaje/Configuración |
|-------|----------------|------------------|-----------|--------------------------------------|
| 149 | Verde 16 | Magenta 16 | 000 ⇔ 255 | Modo RGBW: 0–100% / Modo CMY: 100–0% |
| 150 | Verde fino 16 | Magenta fino 16 | 000 ⇔ 255 | Modo RGBW: 0–100% / Modo CMY: 100–0% |
| 151 | Azul 16 | Amarillo 16 | 000 ⇔ 255 | Modo RGBW: 0–100% / Modo CMY: 100–0% |
| 152 | Azul fino 16 | Amarillo fino 16 | 000 ⇔ 255 | Modo RGBW: 0–100% / Modo CMY: 100–0% |
| 153 | Blanco 16 | | 000 ⇔ 255 | Modo RGBW: 0–100% / Modo CMY: 100–0% |
| 154 | Blanco fino 16 | | 000 ⇔ 255 | Modo RGBW: 0–100% / Modo CMY: 100–0% |

Single Control: Modo “Standard” (84CH)

| Canal | Función | | Valor | Porcentaje/Configuración |
|-------|---|------------|-----------|--|
| 1 | Inclinación | | 000 ⇔ 255 | 0–100% |
| 2 | Inclinación fino | | 000 ⇔ 255 | 0–100% |
| 3 | Velocidad de inclinación | | 000 ⇔ 255 | 0–100% |
| 4 | CTC | | 000 | Sin función |
| | | | 001 ⇔ 255 | Temperature de color, 1900–2700 K |
| 5 | Color | | 000 ⇔ 255 | ver Catálogo de colores |
| 6 | Diseños (ver Diseños) | | 000 | Sin función |
| | | | 001 ⇔ 255 | Diseño 1–255 |
| 7 | Macro LED | | 000 ⇔ 255 | ver Macro LED |
| 8 | Velocidad macro LED | | 000 ⇔ 127 | Rápido a lento sentido horario |
| | | | 128 | Mantener |
| | | | 129 ⇔ 255 | Lento a rápido, sentido antihorario |
| 9 | Retardo LED integrado | | 000 ⇔ 255 | Rápido a lento |
| 10 | Color de fondo | | 000 ⇔ 255 | ver Catálogo de colores |
| 11 | Atenuador de color de fondo | | 000 ⇔ 255 | 0–100% |
| 12 | Atenuador | | 000 ⇔ 255 | 0–100% |
| 13 | Obturador | | 000 ⇔ 255 | ver Configuración de obturador |
| 14 | Zoom 1 (ver Zonas de zoom) | | 000 ⇔ 255 | Ancho a estrecho (Zona 1) |
| 15 | Zoom 2 (ver Zonas de zoom) | | 000 ⇔ 255 | Ancho a estrecho (Zona 2) |
| 16 | Control | | 000 ⇔ 255 | ver Configuración de control |
| 17 | Rojo principal | | 000 ⇔ 255 | Modo RGBW: 0–100% / Modo CMY: 100–0% |
| 18 | Verde principal | | 000 ⇔ 255 | Modo RGBW: 0–100% / Modo CMY: 100–0% |
| 19 | Azul principal | | 000 ⇔ 255 | Modo RGBW: 0–100% / Modo CMY: 100–0% |
| 20 | Blanco principal | | 000 ⇔ 255 | Modo RGBW: 0–100% / Modo CMY: 100–0% |
| 21 | Rojo 1 | Cian 1 | 000 ⇔ 255 | Modo RGBW: 0–100% / Modo CMY: 100–0% |
| 22 | Verde 1 | Magenta 1 | 000 ⇔ 255 | Modo RGBW: 0–100% / Modo CMY: 100–0% |
| 23 | Azul 1 | Amarillo 1 | 000 ⇔ 255 | Modo RGBW: 0–100% / Modo CMY: 100–0% |
| 24 | Blanco 1 | | 000 ⇔ 255 | Modo RGBW: 0–100% / Modo CMY: 100–0% |
| 25 | Rojo 2 | Cian 2 | 000 ⇔ 255 | Modo RGBW: 0–100% / Modo CMY: 100–0% |
| 26 | Verde 2 | Magenta 2 | 000 ⇔ 255 | Modo RGBW: 0–100% / Modo CMY: 100–0% |
| 27 | Azul 2 | Amarillo 2 | 000 ⇔ 255 | Modo RGBW: 0–100% / Modo CMY: 100–0% |
| 28 | Blanco 2 | | 000 ⇔ 255 | Modo RGBW: 0–100% / Modo CMY: 100–0% |
| 29 | Rojo 3 | Cian 3 | 000 ⇔ 255 | Modo RGBW: 0–100% / Modo CMY: 100–0% |
| 30 | Verde 3 | Magenta 3 | 000 ⇔ 255 | Modo RGBW: 0–100% / Modo CMY: 100–0% |
| 31 | Azul 3 | Amarillo 3 | 000 ⇔ 255 | Modo RGBW: 0–100% / Modo CMY: 100–0% |
| 32 | Blanco 3 | | 000 ⇔ 255 | Modo RGBW: 0–100% / Modo CMY: 100–0% |
| 33 | Rojo 4 | Cian 4 | 000 ⇔ 255 | Modo RGBW: 0–100% / Modo CMY: 100–0% |
| 34 | Verde 4 | Magenta 4 | 000 ⇔ 255 | Modo RGBW: 0–100% / Modo CMY: 100–0% |
| 35 | Azul 4 | Amarillo 4 | 000 ⇔ 255 | Modo RGBW: 0–100% / Modo CMY: 100–0% |
| 36 | Blanco 4 | | 000 ⇔ 255 | Modo RGBW: 0–100% / Modo CMY: 100–0% |

| Canal | Función | | Valor | Porcentaje/Configuración |
|-------|------------------|--------------------|-----------|--------------------------------------|
| 37 | Rojo 5 | Cian 5 | 000 ⇔ 255 | Modo RGBW: 0–100% / Modo CMY: 100–0% |
| 38 | Verde 5 | Magenta 5 | 000 ⇔ 255 | Modo RGBW: 0–100% / Modo CMY: 100–0% |
| 39 | Azul 5 | Amarillo 5 | 000 ⇔ 255 | Modo RGBW: 0–100% / Modo CMY: 100–0% |
| 40 | Blanco 5 | | 000 ⇔ 255 | Modo RGBW: 0–100% / Modo CMY: 100–0% |
| 41 | Rojo 6 | Cian 6 | 000 ⇔ 255 | Modo RGBW: 0–100% / Modo CMY: 100–0% |
| 42 | Verde 6 | Magenta 6 | 000 ⇔ 255 | Modo RGBW: 0–100% / Modo CMY: 100–0% |
| 43 | Azul 6 | Amarillo 6 | 000 ⇔ 255 | Modo RGBW: 0–100% / Modo CMY: 100–0% |
| 44 | Blanco 6 | | 000 ⇔ 255 | Modo RGBW: 0–100% / Modo CMY: 100–0% |
| 45 | Rojo 7 | Cian 7 | 000 ⇔ 255 | Modo RGBW: 0–100% / Modo CMY: 100–0% |
| 46 | Verde 7 | Magenta 7 | 000 ⇔ 255 | Modo RGBW: 0–100% / Modo CMY: 100–0% |
| 47 | Azul 7 | Amarillo 7 | 000 ⇔ 255 | Modo RGBW: 0–100% / Modo CMY: 100–0% |
| 48 | Blanco 7 | | 000 ⇔ 255 | Modo RGBW: 0–100% / Modo CMY: 100–0% |
| 49 | Rojo 8 | Cian 8 | 000 ⇔ 255 | Modo RGBW: 0–100% / Modo CMY: 100–0% |
| 50 | Verde 8 | Magenta 8 | 000 ⇔ 255 | Modo RGBW: 0–100% / Modo CMY: 100–0% |
| 51 | Azul 8 | Amarillo 8 | 000 ⇔ 255 | Modo RGBW: 0–100% / Modo CMY: 100–0% |
| 52 | Blanco 8 | | 000 ⇔ 255 | Modo RGBW: 0–100% / Modo CMY: 100–0% |
| 53 | Rojo 9 | Cian 9 | 000 ⇔ 255 | Modo RGBW: 0–100% / Modo CMY: 100–0% |
| 54 | Verde 9 | Magenta 9 | 000 ⇔ 255 | Modo RGBW: 0–100% / Modo CMY: 100–0% |
| 55 | Azul 9 | Amarillo 9 | 000 ⇔ 255 | Modo RGBW: 0–100% / Modo CMY: 100–0% |
| 56 | Blanco 9 | | 000 ⇔ 255 | Modo RGBW: 0–100% / Modo CMY: 100–0% |
| 57 | Rojo 10 | Cian 10 | 000 ⇔ 255 | Modo RGBW: 0–100% / Modo CMY: 100–0% |
| 58 | Verde 10 | Magenta 10 | 000 ⇔ 255 | Modo RGBW: 0–100% / Modo CMY: 100–0% |
| 59 | Azul 10 | Amarillo 10 | 000 ⇔ 255 | Modo RGBW: 0–100% / Modo CMY: 100–0% |
| 60 | Blanco 10 | | 000 ⇔ 255 | Modo RGBW: 0–100% / Modo CMY: 100–0% |
| 61 | Rojo 11 | Cian 11 | 000 ⇔ 255 | Modo RGBW: 0–100% / Modo CMY: 100–0% |
| 62 | Verde 11 | Magenta 11 | 000 ⇔ 255 | Modo RGBW: 0–100% / Modo CMY: 100–0% |
| 63 | Azul 11 | Amarillo 11 | 000 ⇔ 255 | Modo RGBW: 0–100% / Modo CMY: 100–0% |
| 64 | Blanco 11 | | 000 ⇔ 255 | Modo RGBW: 0–100% / Modo CMY: 100–0% |
| 65 | Rojo 12 | Cian 12 | 000 ⇔ 255 | Modo RGBW: 0–100% / Modo CMY: 100–0% |
| 66 | Verde 12 | Magenta 12 | 000 ⇔ 255 | Modo RGBW: 0–100% / Modo CMY: 100–0% |
| 67 | Azul 12 | Amarillo 12 | 000 ⇔ 255 | Modo RGBW: 0–100% / Modo CMY: 100–0% |
| 68 | Blanco 12 | | 000 ⇔ 255 | Modo RGBW: 0–100% / Modo CMY: 100–0% |
| 69 | Rojo 13 | Cian 13 | 000 ⇔ 255 | Modo RGBW: 0–100% / Modo CMY: 100–0% |
| 70 | Verde 13 | Magenta 13 | 000 ⇔ 255 | Modo RGBW: 0–100% / Modo CMY: 100–0% |
| 71 | Azul 13 | Amarillo 13 | 000 ⇔ 255 | Modo RGBW: 0–100% / Modo CMY: 100–0% |
| 72 | Blanco 13 | | 000 ⇔ 255 | Modo RGBW: 0–100% / Modo CMY: 100–0% |
| 73 | Rojo 14 | Cian 14 | 000 ⇔ 255 | Modo RGBW: 0–100% / Modo CMY: 100–0% |
| 74 | Verde 14 | Magenta 14 | 000 ⇔ 255 | Modo RGBW: 0–100% / Modo CMY: 100–0% |
| 75 | Azul 14 | Amarillo 14 | 000 ⇔ 255 | Modo RGBW: 0–100% / Modo CMY: 100–0% |
| 76 | Blanco 14 | | 000 ⇔ 255 | Modo RGBW: 0–100% / Modo CMY: 100–0% |
| 77 | Rojo 15 | Cian 15 | 000 ⇔ 255 | Modo RGBW: 0–100% / Modo CMY: 100–0% |
| 78 | Verde 15 | Magenta 15 | 000 ⇔ 255 | Modo RGBW: 0–100% / Modo CMY: 100–0% |
| 79 | Azul 15 | Amarillo 15 | 000 ⇔ 255 | Modo RGBW: 0–100% / Modo CMY: 100–0% |
| 80 | Blanco 15 | | 000 ⇔ 255 | Modo RGBW: 0–100% / Modo CMY: 100–0% |
| 81 | Rojo 16 | Cian 16 | 000 ⇔ 255 | Modo RGBW: 0–100% / Modo CMY: 100–0% |
| 82 | Verde 16 | Magenta 16 | 000 ⇔ 255 | Modo RGBW: 0–100% / Modo CMY: 100–0% |
| 83 | Azul 16 | Amarillo 16 | 000 ⇔ 255 | Modo RGBW: 0–100% / Modo CMY: 100–0% |
| 84 | Blanco 16 | | 000 ⇔ 255 | Modo RGBW: 0–100% / Modo CMY: 100–0% |

Single Control: Modo “Basic” (20CH)

| Canal | Función | Valor | Porcentaje/Configuración |
|-------|---|-----------|--|
| 1 | Inclinación | 000 ⇄ 255 | 0–100% |
| 2 | Inclinación fino | 000 ⇄ 255 | 0–100% |
| 3 | Velocidad de inclinación | 000 ⇄ 255 | 0–100% |
| 4 | CTC | 000 | Sin función |
| | | 001 ⇄ 255 | Temperature de color, 1900–2700 K |
| 5 | Color | 000 ⇄ 255 | ver Catálogo de colores |
| 6 | Diseños (ver Diseños) | 000 | Sin función |
| | | 001 ⇄ 255 | Diseño 1–255 |
| 7 | Macro LED | 000 ⇄ 255 | ver Macro LED |
| 8 | Velocidad macro LED | 000 ⇄ 127 | Rápido a lento sentido horario |
| | | 128 | Mantener |
| | | 129 ⇄ 255 | Lento a rápido, sentido antihorario |
| 9 | Retardo LED integrado | 000 ⇄ 255 | Rápido a lento |
| 10 | Color de fondo | 000 ⇄ 255 | ver Catálogo de colores |
| 11 | Atenuador de color de fondo | 000 ⇄ 255 | 0–100% |
| 12 | Atenuador | 000 ⇄ 255 | 0–100% |
| 13 | Obturador | 000 ⇄ 255 | ver Configuración de obturador |
| 14 | Zoom 1 (ver Zonas de zoom) | 000 ⇄ 255 | Ancho a estrecho (Zona 1) |
| 15 | Zoom 2 (ver Zonas de zoom) | 000 ⇄ 255 | Ancho a estrecho (Zona 2) |
| 16 | Control | 000 ⇄ 255 | ver Configuración de control |
| 17 | Rojo | 000 ⇄ 255 | Modo RGBW: 0–100% / Modo CMY: 100–0% |
| 18 | Verde | 000 ⇄ 255 | Modo RGBW: 0–100% / Modo CMY: 100–0% |
| 19 | Azul | 000 ⇄ 255 | Modo RGBW: 0–100% / Modo CMY: 100–0% |
| 20 | Blanco | 000 ⇄ 255 | Modo RGBW: 0–100% / Modo CMY: 100–0% |

Dual Control Movement: Modo “Advanced” (26CH)

| Canal | Función | Valor | Porcentaje/Configuración |
|-------|---|-----------|--|
| 1 | Inclinación | 000 ⇄ 255 | 0–100% |
| 2 | Inclinación fino | 000 ⇄ 255 | 0–100% |
| 3 | Velocidad de inclinación | 000 ⇄ 255 | 0–100% |
| 4 | CTC | 000 | Sin función |
| | | 001 ⇄ 255 | Temperature de color, 1900–2700 K |
| 5 | Color | 000 ⇄ 255 | ver Catálogo de colores |
| 6 | Diseños (ver Diseños) | 000 | Sin función |
| | | 001 ⇄ 255 | Diseño 1–255 |
| 7 | Macro LED | 000 ⇄ 255 | ver Macro LED |
| 8 | Velocidad macro LED | 000 ⇄ 127 | Rápido a lento sentido horario |
| | | 128 | Mantener |
| | | 129 ⇄ 255 | Lento a rápido, sentido antihorario |
| 9 | Retardo LED integrado | 000 ⇄ 255 | Rápido a lento |
| 10 | Color de fondo | 000 ⇄ 255 | ver Catálogo de colores |
| 11 | Atenuador de color de fondo | 000 ⇄ 255 | 0–100% |
| 12 | Atenuador fino de color de fondo | 000 ⇄ 255 | 0–100% |
| 13 | Atenuador | 000 ⇄ 255 | 0–100% |
| 14 | Atenuador fino | 000 ⇄ 255 | 0–100% |
| 15 | Obturador | 000 ⇄ 255 | ver Configuración de obturador |
| 16 | Zoom 1 (ver Zonas de zoom) | 000 ⇄ 255 | Ancho a estrecho (Zona 1) |
| 17 | Zoom 2 (ver Zonas de zoom) | 000 ⇄ 255 | Ancho a estrecho (Zona 2) |
| 18 | Control | 000 ⇄ 255 | ver Configuración de control |

| Canal | Función | Valor | Porcentaje/Configuración |
|-------|-------------|-----------|--------------------------------------|
| 19 | Rojo | 000 ⇔ 255 | Modo RGBW: 0–100% / Modo CMY: 100–0% |
| 20 | Rojo fino | 000 ⇔ 255 | Modo RGBW: 0–100% / Modo CMY: 100–0% |
| 21 | Verde | 000 ⇔ 255 | Modo RGBW: 0–100% / Modo CMY: 100–0% |
| 22 | Verde fino | 000 ⇔ 255 | Modo RGBW: 0–100% / Modo CMY: 100–0% |
| 23 | Azul | 000 ⇔ 255 | Modo RGBW: 0–100% / Modo CMY: 100–0% |
| 24 | Azul fino | 000 ⇔ 255 | Modo RGBW: 0–100% / Modo CMY: 100–0% |
| 25 | Blanco | 000 ⇔ 255 | Modo RGBW: 0–100% / Modo CMY: 100–0% |
| 26 | Blanco fino | 000 ⇔ 255 | Modo RGBW: 0–100% / Modo CMY: 100–0% |

Dual Control Movement: Modo “Standard” (20CH)

| Canal | Función | Valor | Porcentaje/Configuración |
|-------|---|-------------------------------|---|
| 1 | Inclinación | 000 ⇔ 255 | 0–100% |
| 2 | Inclinación fino | 000 ⇔ 255 | 0–100% |
| 3 | Velocidad de inclinación | 000 ⇔ 255 | 0–100% |
| 4 | CTC | 000 001 ⇔ 255 | Sin función Temperature de color, 1900–2700 K |
| 5 | Color | 000 ⇔ 255 | ver Catálogo de colores |
| 6 | Diseños (ver Diseños) | 000 001 ⇔ 255 | Sin función Diseño 1–255 |
| 7 | Macro LED | 000 ⇔ 255 | ver Macro LED |
| 8 | Velocidad macro LED | 000 ⇔ 127 128 129 ⇔ 255 | Rápido a lento sentido horario Mantener Lento a rápido, sentido antihorario |
| 9 | Retardo LED integrado | 000 ⇔ 255 | Rápido a lento |
| 10 | Color de fondo | 000 ⇔ 255 | ver Catálogo de colores |
| 11 | Atenuador de color de fondo | 000 ⇔ 255 | 0–100% |
| 12 | Atenuador | 000 ⇔ 255 | 0–100% |
| 13 | Obturador | 000 ⇔ 255 | ver Configuración de obturador |
| 14 | Zoom 1 (ver Zonas de zoom) | 000 ⇔ 255 | Ancho a estrecho (Zona 1) |
| 15 | Zoom 2 (ver Zonas de zoom) | 000 ⇔ 255 | Ancho a estrecho (Zona 2) |
| 16 | Control | 000 ⇔ 255 | ver Configuración de control |
| 17 | Rojo | 000 ⇔ 255 | Modo RGBW: 0–100% / Modo CMY: 100–0% |
| 18 | Verde | 000 ⇔ 255 | Modo RGBW: 0–100% / Modo CMY: 100–0% |
| 19 | Azul | 000 ⇔ 255 | Modo RGBW: 0–100% / Modo CMY: 100–0% |
| 20 | Blanco | 000 ⇔ 255 | Modo RGBW: 0–100% / Modo CMY: 100–0% |

Dual Control Movement: Modo “Basic” (8CH)

| Canal | Función | Valor | Porcentaje/Configuración |
|-------|---|-----------|--|
| 1 | Inclinación | 000 ⇔ 255 | 0–100% |
| 2 | Inclinación fino | 000 ⇔ 255 | 0–100% |
| 3 | Velocidad de inclinación | 000 ⇔ 255 | 0–100% |
| 4 | Atenuador | 000 ⇔ 255 | 0–100% |
| 5 | Obturador | 000 ⇔ 255 | ver Configuración de obturador |
| 6 | Zoom 1 (ver Zonas de zoom) | 000 ⇔ 255 | Ancho a estrecho (Zona 1) |
| 7 | Zoom 2 (ver Zonas de zoom) | 000 ⇔ 255 | Ancho a estrecho (Zona 2) |
| 8 | Control | 000 ⇔ 255 | ver Configuración de control |

Dual Control Pixels: Modo “Advanced” (128CH)

| Canal | Función | | Valor | Porcentaje/Configuración |
|-------|---------------|-----------------|-----------|--------------------------------------|
| 1 | Rojo 1 | Cian 1 | 000 ⇔ 255 | Modo RGBW: 0–100% / Modo CMY: 100–0% |
| 2 | Rojo fino 1 | Cian fino 1 | 000 ⇔ 255 | Modo RGBW: 0–100% / Modo CMY: 100–0% |
| 3 | Verde 1 | Magenta 1 | 000 ⇔ 255 | Modo RGBW: 0–100% / Modo CMY: 100–0% |
| 4 | Verde fino 1 | Magenta fino 1 | 000 ⇔ 255 | Modo RGBW: 0–100% / Modo CMY: 100–0% |
| 5 | Azul 1 | Amarillo 1 | 000 ⇔ 255 | Modo RGBW: 0–100% / Modo CMY: 100–0% |
| 6 | Azul fino 1 | Amarillo fino 1 | 000 ⇔ 255 | Modo RGBW: 0–100% / Modo CMY: 100–0% |
| 7 | Blanco 1 | | 000 ⇔ 255 | Modo RGBW: 0–100% / Modo CMY: 100–0% |
| 8 | Blanco fino 1 | | 000 ⇔ 255 | Modo RGBW: 0–100% / Modo CMY: 100–0% |
| 9 | Rojo 2 | Cian 2 | 000 ⇔ 255 | Modo RGBW: 0–100% / Modo CMY: 100–0% |
| 10 | Rojo fino 2 | Cian fino 2 | 000 ⇔ 255 | Modo RGBW: 0–100% / Modo CMY: 100–0% |
| 11 | Verde 2 | Magenta 2 | 000 ⇔ 255 | Modo RGBW: 0–100% / Modo CMY: 100–0% |
| 12 | Verde fino 2 | Magenta fino 2 | 000 ⇔ 255 | Modo RGBW: 0–100% / Modo CMY: 100–0% |
| 13 | Azul 2 | Amarillo 2 | 000 ⇔ 255 | Modo RGBW: 0–100% / Modo CMY: 100–0% |
| 14 | Azul fino 2 | Amarillo fino 2 | 000 ⇔ 255 | Modo RGBW: 0–100% / Modo CMY: 100–0% |
| 15 | Blanco 2 | | 000 ⇔ 255 | Modo RGBW: 0–100% / Modo CMY: 100–0% |
| 16 | Blanco fino 2 | | 000 ⇔ 255 | Modo RGBW: 0–100% / Modo CMY: 100–0% |
| 17 | Rojo 3 | Cian 3 | 000 ⇔ 255 | Modo RGBW: 0–100% / Modo CMY: 100–0% |
| 18 | Rojo fino 3 | Cian fino 3 | 000 ⇔ 255 | Modo RGBW: 0–100% / Modo CMY: 100–0% |
| 19 | Verde 3 | Magenta 3 | 000 ⇔ 255 | Modo RGBW: 0–100% / Modo CMY: 100–0% |
| 20 | Verde fino 3 | Magenta fino 3 | 000 ⇔ 255 | Modo RGBW: 0–100% / Modo CMY: 100–0% |
| 21 | Azul 3 | Amarillo 3 | 000 ⇔ 255 | Modo RGBW: 0–100% / Modo CMY: 100–0% |
| 22 | Azul fino 3 | Amarillo fino 3 | 000 ⇔ 255 | Modo RGBW: 0–100% / Modo CMY: 100–0% |
| 23 | Blanco 3 | | 000 ⇔ 255 | Modo RGBW: 0–100% / Modo CMY: 100–0% |
| 24 | Blanco fino 3 | | 000 ⇔ 255 | Modo RGBW: 0–100% / Modo CMY: 100–0% |
| 25 | Rojo 4 | Cian 4 | 000 ⇔ 255 | Modo RGBW: 0–100% / Modo CMY: 100–0% |
| 26 | Rojo fino 4 | Cian fino 4 | 000 ⇔ 255 | Modo RGBW: 0–100% / Modo CMY: 100–0% |
| 27 | Verde 4 | Magenta 4 | 000 ⇔ 255 | Modo RGBW: 0–100% / Modo CMY: 100–0% |
| 28 | Verde fino 4 | Magenta fino 4 | 000 ⇔ 255 | Modo RGBW: 0–100% / Modo CMY: 100–0% |
| 29 | Azul 4 | Amarillo 4 | 000 ⇔ 255 | Modo RGBW: 0–100% / Modo CMY: 100–0% |
| 30 | Azul fino 4 | Amarillo fino 4 | 000 ⇔ 255 | Modo RGBW: 0–100% / Modo CMY: 100–0% |
| 31 | Blanco 4 | | 000 ⇔ 255 | Modo RGBW: 0–100% / Modo CMY: 100–0% |
| 32 | Blanco fino 4 | | 000 ⇔ 255 | Modo RGBW: 0–100% / Modo CMY: 100–0% |
| 33 | Rojo 5 | Cian 1 | 000 ⇔ 255 | Modo RGBW: 0–100% / Modo CMY: 100–0% |
| 34 | Rojo fino 5 | Cian fino 1 | 000 ⇔ 255 | Modo RGBW: 0–100% / Modo CMY: 100–0% |
| 35 | Verde 5 | Magenta 1 | 000 ⇔ 255 | Modo RGBW: 0–100% / Modo CMY: 100–0% |
| 36 | Verde fino 5 | Magenta fino 1 | 000 ⇔ 255 | Modo RGBW: 0–100% / Modo CMY: 100–0% |
| 37 | Azul 5 | Amarillo 1 | 000 ⇔ 255 | Modo RGBW: 0–100% / Modo CMY: 100–0% |
| 38 | Azul fino 5 | Amarillo fino 1 | 000 ⇔ 255 | Modo RGBW: 0–100% / Modo CMY: 100–0% |
| 39 | Blanco 5 | | 000 ⇔ 255 | Modo RGBW: 0–100% / Modo CMY: 100–0% |
| 40 | Blanco fino 5 | | 000 ⇔ 255 | Modo RGBW: 0–100% / Modo CMY: 100–0% |
| 41 | Rojo 6 | Cian 6 | 000 ⇔ 255 | Modo RGBW: 0–100% / Modo CMY: 100–0% |
| 42 | Rojo fino 6 | Cian fino 6 | 000 ⇔ 255 | Modo RGBW: 0–100% / Modo CMY: 100–0% |
| 43 | Verde 6 | Magenta 6 | 000 ⇔ 255 | Modo RGBW: 0–100% / Modo CMY: 100–0% |
| 44 | Verde fino 6 | Magenta fino 6 | 000 ⇔ 255 | Modo RGBW: 0–100% / Modo CMY: 100–0% |
| 45 | Azul 6 | Amarillo 6 | 000 ⇔ 255 | Modo RGBW: 0–100% / Modo CMY: 100–0% |
| 46 | Azul fino 6 | Amarillo fino 6 | 000 ⇔ 255 | Modo RGBW: 0–100% / Modo CMY: 100–0% |
| 47 | Blanco 6 | | 000 ⇔ 255 | Modo RGBW: 0–100% / Modo CMY: 100–0% |
| 48 | Blanco fino 6 | | 000 ⇔ 255 | Modo RGBW: 0–100% / Modo CMY: 100–0% |
| 49 | Rojo 7 | Cian 7 | 000 ⇔ 255 | Modo RGBW: 0–100% / Modo CMY: 100–0% |
| 50 | Rojo fino 7 | Cian fino 7 | 000 ⇔ 255 | Modo RGBW: 0–100% / Modo CMY: 100–0% |

| Canal | Función | | Valor | Porcentaje/Configuración |
|-------|----------------|------------------|-----------|--------------------------------------|
| 51 | Verde 7 | Magenta 7 | 000 ⇄ 255 | Modo RGBW: 0–100% / Modo CMY: 100–0% |
| 52 | Verde fino 7 | Magenta fino 7 | 000 ⇄ 255 | Modo RGBW: 0–100% / Modo CMY: 100–0% |
| 53 | Azul 7 | Amarillo 7 | 000 ⇄ 255 | Modo RGBW: 0–100% / Modo CMY: 100–0% |
| 54 | Azul fino 7 | Amarillo fino 7 | 000 ⇄ 255 | Modo RGBW: 0–100% / Modo CMY: 100–0% |
| 55 | Blanco 7 | | 000 ⇄ 255 | Modo RGBW: 0–100% / Modo CMY: 100–0% |
| 56 | Blanco fino 7 | | 000 ⇄ 255 | Modo RGBW: 0–100% / Modo CMY: 100–0% |
| 57 | Rojo 8 | Cian 8 | 000 ⇄ 255 | Modo RGBW: 0–100% / Modo CMY: 100–0% |
| 58 | Rojo fino 8 | Cian fino 8 | 000 ⇄ 255 | Modo RGBW: 0–100% / Modo CMY: 100–0% |
| 59 | Verde 8 | Magenta 8 | 000 ⇄ 255 | Modo RGBW: 0–100% / Modo CMY: 100–0% |
| 60 | Verde fino 8 | Magenta fino 8 | 000 ⇄ 255 | Modo RGBW: 0–100% / Modo CMY: 100–0% |
| 61 | Azul 8 | Amarillo 8 | 000 ⇄ 255 | Modo RGBW: 0–100% / Modo CMY: 100–0% |
| 62 | Azul fino 8 | Amarillo fino 8 | 000 ⇄ 255 | Modo RGBW: 0–100% / Modo CMY: 100–0% |
| 63 | Blanco 8 | | 000 ⇄ 255 | Modo RGBW: 0–100% / Modo CMY: 100–0% |
| 64 | Blanco fino 8 | | 000 ⇄ 255 | Modo RGBW: 0–100% / Modo CMY: 100–0% |
| 65 | Rojo 9 | Cian 9 | 000 ⇄ 255 | Modo RGBW: 0–100% / Modo CMY: 100–0% |
| 66 | Rojo fino 9 | Cian fino 9 | 000 ⇄ 255 | Modo RGBW: 0–100% / Modo CMY: 100–0% |
| 67 | Verde 9 | Magenta 9 | 000 ⇄ 255 | Modo RGBW: 0–100% / Modo CMY: 100–0% |
| 68 | Verde fino 9 | Magenta fino 9 | 000 ⇄ 255 | Modo RGBW: 0–100% / Modo CMY: 100–0% |
| 69 | Azul 9 | Amarillo 9 | 000 ⇄ 255 | Modo RGBW: 0–100% / Modo CMY: 100–0% |
| 70 | Azul fino 9 | Amarillo fino 9 | 000 ⇄ 255 | Modo RGBW: 0–100% / Modo CMY: 100–0% |
| 71 | Blanco 9 | | 000 ⇄ 255 | Modo RGBW: 0–100% / Modo CMY: 100–0% |
| 72 | Blanco fino 9 | | 000 ⇄ 255 | Modo RGBW: 0–100% / Modo CMY: 100–0% |
| 73 | Rojo 10 | Cian 10 | 000 ⇄ 255 | Modo RGBW: 0–100% / Modo CMY: 100–0% |
| 74 | Rojo fino 10 | Cian fino 10 | 000 ⇄ 255 | Modo RGBW: 0–100% / Modo CMY: 100–0% |
| 75 | Verde 10 | Magenta 10 | 000 ⇄ 255 | Modo RGBW: 0–100% / Modo CMY: 100–0% |
| 76 | Verde fino 10 | Magenta fino 10 | 000 ⇄ 255 | Modo RGBW: 0–100% / Modo CMY: 100–0% |
| 77 | Azul 10 | Amarillo 10 | 000 ⇄ 255 | Modo RGBW: 0–100% / Modo CMY: 100–0% |
| 78 | Azul fino 10 | Amarillo fino 10 | 000 ⇄ 255 | Modo RGBW: 0–100% / Modo CMY: 100–0% |
| 79 | Blanco 10 | | 000 ⇄ 255 | Modo RGBW: 0–100% / Modo CMY: 100–0% |
| 80 | Blanco fino 10 | | 000 ⇄ 255 | Modo RGBW: 0–100% / Modo CMY: 100–0% |
| 81 | Rojo 11 | Cian 11 | 000 ⇄ 255 | Modo RGBW: 0–100% / Modo CMY: 100–0% |
| 82 | Rojo fino 11 | Cian fino 11 | 000 ⇄ 255 | Modo RGBW: 0–100% / Modo CMY: 100–0% |
| 83 | Verde 11 | Magenta 11 | 000 ⇄ 255 | Modo RGBW: 0–100% / Modo CMY: 100–0% |
| 84 | Verde fino 11 | Magenta fino 11 | 000 ⇄ 255 | Modo RGBW: 0–100% / Modo CMY: 100–0% |
| 85 | Azul 11 | Amarillo 11 | 000 ⇄ 255 | Modo RGBW: 0–100% / Modo CMY: 100–0% |
| 86 | Azul fino 11 | Amarillo fino 11 | 000 ⇄ 255 | Modo RGBW: 0–100% / Modo CMY: 100–0% |
| 87 | Blanco 11 | | 000 ⇄ 255 | Modo RGBW: 0–100% / Modo CMY: 100–0% |
| 88 | Blanco fino 11 | | 000 ⇄ 255 | Modo RGBW: 0–100% / Modo CMY: 100–0% |
| 89 | Rojo 12 | Cian 12 | 000 ⇄ 255 | Modo RGBW: 0–100% / Modo CMY: 100–0% |
| 90 | Rojo fino 12 | Cian fino 12 | 000 ⇄ 255 | Modo RGBW: 0–100% / Modo CMY: 100–0% |
| 91 | Verde 12 | Magenta 12 | 000 ⇄ 255 | Modo RGBW: 0–100% / Modo CMY: 100–0% |
| 92 | Verde fino 12 | Magenta fino 12 | 000 ⇄ 255 | Modo RGBW: 0–100% / Modo CMY: 100–0% |
| 93 | Azul 12 | Amarillo 12 | 000 ⇄ 255 | Modo RGBW: 0–100% / Modo CMY: 100–0% |
| 94 | Azul fino 12 | Amarillo fino 12 | 000 ⇄ 255 | Modo RGBW: 0–100% / Modo CMY: 100–0% |
| 95 | Blanco 12 | | 000 ⇄ 255 | Modo RGBW: 0–100% / Modo CMY: 100–0% |
| 96 | Blanco fino 12 | | 000 ⇄ 255 | Modo RGBW: 0–100% / Modo CMY: 100–0% |
| 97 | Rojo 13 | Cian 13 | 000 ⇄ 255 | Modo RGBW: 0–100% / Modo CMY: 100–0% |
| 98 | Rojo fino 13 | Cian fino 13 | 000 ⇄ 255 | Modo RGBW: 0–100% / Modo CMY: 100–0% |
| 99 | Verde 13 | Magenta 13 | 000 ⇄ 255 | Modo RGBW: 0–100% / Modo CMY: 100–0% |
| 100 | Verde fino 13 | Magenta fino 13 | 000 ⇄ 255 | Modo RGBW: 0–100% / Modo CMY: 100–0% |
| 101 | Azul 13 | Amarillo 13 | 000 ⇄ 255 | Modo RGBW: 0–100% / Modo CMY: 100–0% |

| Canal | Función | | Valor | Porcentaje/Configuración |
|-------|----------------|------------------|-----------|--------------------------------------|
| 102 | Azul fino 13 | Amarillo fino 13 | 000 ⇔ 255 | Modo RGBW: 0–100% / Modo CMY: 100–0% |
| 103 | Blanco 13 | | 000 ⇔ 255 | Modo RGBW: 0–100% / Modo CMY: 100–0% |
| 104 | Blanco fino 13 | | 000 ⇔ 255 | Modo RGBW: 0–100% / Modo CMY: 100–0% |
| 105 | Rojo 14 | Cian 14 | 000 ⇔ 255 | Modo RGBW: 0–100% / Modo CMY: 100–0% |
| 106 | Rojo fino 14 | Cian fino 14 | 000 ⇔ 255 | Modo RGBW: 0–100% / Modo CMY: 100–0% |
| 107 | Verde 14 | Magenta 14 | 000 ⇔ 255 | Modo RGBW: 0–100% / Modo CMY: 100–0% |
| 108 | Verde fino 14 | Magenta fino 14 | 000 ⇔ 255 | Modo RGBW: 0–100% / Modo CMY: 100–0% |
| 109 | Azul 14 | Amarillo 14 | 000 ⇔ 255 | Modo RGBW: 0–100% / Modo CMY: 100–0% |
| 110 | Azul fino 14 | Amarillo fino 14 | 000 ⇔ 255 | Modo RGBW: 0–100% / Modo CMY: 100–0% |
| 111 | Blanco 14 | | 000 ⇔ 255 | Modo RGBW: 0–100% / Modo CMY: 100–0% |
| 112 | Blanco fino 14 | | 000 ⇔ 255 | Modo RGBW: 0–100% / Modo CMY: 100–0% |
| 113 | Rojo 15 | Cian 15 | 000 ⇔ 255 | Modo RGBW: 0–100% / Modo CMY: 100–0% |
| 114 | Rojo fino 15 | Cian fino 15 | 000 ⇔ 255 | Modo RGBW: 0–100% / Modo CMY: 100–0% |
| 115 | Verde 15 | Magenta 15 | 000 ⇔ 255 | Modo RGBW: 0–100% / Modo CMY: 100–0% |
| 116 | Verde fino 15 | Magenta fino 15 | 000 ⇔ 255 | Modo RGBW: 0–100% / Modo CMY: 100–0% |
| 117 | Azul 15 | Amarillo 15 | 000 ⇔ 255 | Modo RGBW: 0–100% / Modo CMY: 100–0% |
| 118 | Azul fino 15 | Amarillo fino 15 | 000 ⇔ 255 | Modo RGBW: 0–100% / Modo CMY: 100–0% |
| 119 | Blanco 15 | | 000 ⇔ 255 | Modo RGBW: 0–100% / Modo CMY: 100–0% |
| 120 | Blanco fino 15 | | 000 ⇔ 255 | Modo RGBW: 0–100% / Modo CMY: 100–0% |
| 121 | Rojo 16 | Cian 16 | 000 ⇔ 255 | Modo RGBW: 0–100% / Modo CMY: 100–0% |
| 122 | Rojo fino 16 | Cian fino 16 | 000 ⇔ 255 | Modo RGBW: 0–100% / Modo CMY: 100–0% |
| 123 | Verde 16 | Magenta 16 | 000 ⇔ 255 | Modo RGBW: 0–100% / Modo CMY: 100–0% |
| 124 | Verde fino 16 | Magenta fino 16 | 000 ⇔ 255 | Modo RGBW: 0–100% / Modo CMY: 100–0% |
| 125 | Azul 16 | Amarillo 16 | 000 ⇔ 255 | Modo RGBW: 0–100% / Modo CMY: 100–0% |
| 126 | Azul fino 16 | Amarillo fino 16 | 000 ⇔ 255 | Modo RGBW: 0–100% / Modo CMY: 100–0% |
| 127 | Blanco 16 | | 000 ⇔ 255 | Modo RGBW: 0–100% / Modo CMY: 100–0% |
| 128 | Blanco fino 16 | | 000 ⇔ 255 | Modo RGBW: 0–100% / Modo CMY: 100–0% |

Dual Control Pixels: Modo “Standard” (64CH)

| Canal | Función | | Valor | Porcentaje/Configuración |
|-------|----------|------------|-----------|--------------------------------------|
| 1 | Rojo 1 | Cian 1 | 000 ⇔ 255 | Modo RGBW: 0–100% / Modo CMY: 100–0% |
| 2 | Verde 1 | Magenta 1 | 000 ⇔ 255 | Modo RGBW: 0–100% / Modo CMY: 100–0% |
| 3 | Azul 1 | Amarillo 1 | 000 ⇔ 255 | Modo RGBW: 0–100% / Modo CMY: 100–0% |
| 4 | Blanco 1 | | 000 ⇔ 255 | Modo RGBW: 0–100% / Modo CMY: 100–0% |
| 5 | Rojo 2 | Cian 2 | 000 ⇔ 255 | Modo RGBW: 0–100% / Modo CMY: 100–0% |
| 6 | Verde 2 | Magenta 2 | 000 ⇔ 255 | Modo RGBW: 0–100% / Modo CMY: 100–0% |
| 7 | Azul 2 | Amarillo 2 | 000 ⇔ 255 | Modo RGBW: 0–100% / Modo CMY: 100–0% |
| 8 | Blanco 2 | | 000 ⇔ 255 | Modo RGBW: 0–100% / Modo CMY: 100–0% |
| 9 | Rojo 3 | Cian 3 | 000 ⇔ 255 | Modo RGBW: 0–100% / Modo CMY: 100–0% |
| 10 | Verde 3 | Magenta 3 | 000 ⇔ 255 | Modo RGBW: 0–100% / Modo CMY: 100–0% |
| 11 | Azul 3 | Amarillo 3 | 000 ⇔ 255 | Modo RGBW: 0–100% / Modo CMY: 100–0% |
| 12 | Blanco 3 | | 000 ⇔ 255 | Modo RGBW: 0–100% / Modo CMY: 100–0% |
| 13 | Rojo 4 | Cian 4 | 000 ⇔ 255 | Modo RGBW: 0–100% / Modo CMY: 100–0% |
| 14 | Verde 4 | Magenta 4 | 000 ⇔ 255 | Modo RGBW: 0–100% / Modo CMY: 100–0% |
| 15 | Azul 4 | Amarillo 4 | 000 ⇔ 255 | Modo RGBW: 0–100% / Modo CMY: 100–0% |
| 16 | Blanco 4 | | 000 ⇔ 255 | Modo RGBW: 0–100% / Modo CMY: 100–0% |
| 17 | Rojo 5 | Cian 5 | 000 ⇔ 255 | Modo RGBW: 0–100% / Modo CMY: 100–0% |
| 18 | Verde 5 | Magenta 5 | 000 ⇔ 255 | Modo RGBW: 0–100% / Modo CMY: 100–0% |
| 19 | Azul 5 | Amarillo 5 | 000 ⇔ 255 | Modo RGBW: 0–100% / Modo CMY: 100–0% |
| 20 | Blanco 5 | | 000 ⇔ 255 | Modo RGBW: 0–100% / Modo CMY: 100–0% |

| Canal | Función | | Valor | Porcentaje/Configuración |
|-------|-----------|-------------|-----------|--------------------------------------|
| 21 | Rojo 6 | Cian 6 | 000 ⇄ 255 | Modo RGBW: 0–100% / Modo CMY: 100–0% |
| 22 | Verde 6 | Magenta 6 | 000 ⇄ 255 | Modo RGBW: 0–100% / Modo CMY: 100–0% |
| 23 | Azul 6 | Amarillo 6 | 000 ⇄ 255 | Modo RGBW: 0–100% / Modo CMY: 100–0% |
| 24 | Blanco 6 | | 000 ⇄ 255 | Modo RGBW: 0–100% / Modo CMY: 100–0% |
| 25 | Rojo 7 | Cian 7 | 000 ⇄ 255 | Modo RGBW: 0–100% / Modo CMY: 100–0% |
| 26 | Verde 7 | Magenta 7 | 000 ⇄ 255 | Modo RGBW: 0–100% / Modo CMY: 100–0% |
| 27 | Azul 7 | Amarillo 7 | 000 ⇄ 255 | Modo RGBW: 0–100% / Modo CMY: 100–0% |
| 28 | Blanco 7 | | 000 ⇄ 255 | Modo RGBW: 0–100% / Modo CMY: 100–0% |
| 29 | Rojo 8 | Cian 8 | 000 ⇄ 255 | Modo RGBW: 0–100% / Modo CMY: 100–0% |
| 30 | Verde 8 | Magenta 8 | 000 ⇄ 255 | Modo RGBW: 0–100% / Modo CMY: 100–0% |
| 31 | Azul 8 | Amarillo 8 | 000 ⇄ 255 | Modo RGBW: 0–100% / Modo CMY: 100–0% |
| 32 | Blanco 8 | | 000 ⇄ 255 | Modo RGBW: 0–100% / Modo CMY: 100–0% |
| 33 | Rojo 9 | Cian 9 | 000 ⇄ 255 | Modo RGBW: 0–100% / Modo CMY: 100–0% |
| 34 | Verde 9 | Magenta 9 | 000 ⇄ 255 | Modo RGBW: 0–100% / Modo CMY: 100–0% |
| 35 | Azul 9 | Amarillo 9 | 000 ⇄ 255 | Modo RGBW: 0–100% / Modo CMY: 100–0% |
| 36 | Blanco 9 | | 000 ⇄ 255 | Modo RGBW: 0–100% / Modo CMY: 100–0% |
| 37 | Rojo 10 | Cian 10 | 000 ⇄ 255 | Modo RGBW: 0–100% / Modo CMY: 100–0% |
| 38 | Verde 10 | Magenta 10 | 000 ⇄ 255 | Modo RGBW: 0–100% / Modo CMY: 100–0% |
| 39 | Azul 10 | Amarillo 10 | 000 ⇄ 255 | Modo RGBW: 0–100% / Modo CMY: 100–0% |
| 40 | Blanco 10 | | 000 ⇄ 255 | Modo RGBW: 0–100% / Modo CMY: 100–0% |
| 41 | Rojo 11 | Cian 11 | 000 ⇄ 255 | Modo RGBW: 0–100% / Modo CMY: 100–0% |
| 42 | Verde 11 | Magenta 11 | 000 ⇄ 255 | Modo RGBW: 0–100% / Modo CMY: 100–0% |
| 43 | Azul 11 | Amarillo 11 | 000 ⇄ 255 | Modo RGBW: 0–100% / Modo CMY: 100–0% |
| 44 | Blanco 11 | | 000 ⇄ 255 | Modo RGBW: 0–100% / Modo CMY: 100–0% |
| 45 | Rojo 12 | Cian 12 | 000 ⇄ 255 | Modo RGBW: 0–100% / Modo CMY: 100–0% |
| 46 | Verde 12 | Magenta 12 | 000 ⇄ 255 | Modo RGBW: 0–100% / Modo CMY: 100–0% |
| 47 | Azul 12 | Amarillo 12 | 000 ⇄ 255 | Modo RGBW: 0–100% / Modo CMY: 100–0% |
| 48 | Blanco 12 | | 000 ⇄ 255 | Modo RGBW: 0–100% / Modo CMY: 100–0% |
| 49 | Rojo 13 | Cian 13 | 000 ⇄ 255 | Modo RGBW: 0–100% / Modo CMY: 100–0% |
| 50 | Verde 13 | Magenta 13 | 000 ⇄ 255 | Modo RGBW: 0–100% / Modo CMY: 100–0% |
| 51 | Azul 13 | Amarillo 13 | 000 ⇄ 255 | Modo RGBW: 0–100% / Modo CMY: 100–0% |
| 52 | Blanco 13 | | 000 ⇄ 255 | Modo RGBW: 0–100% / Modo CMY: 100–0% |
| 53 | Rojo 14 | Cian 14 | 000 ⇄ 255 | Modo RGBW: 0–100% / Modo CMY: 100–0% |
| 54 | Verde 14 | Magenta 14 | 000 ⇄ 255 | Modo RGBW: 0–100% / Modo CMY: 100–0% |
| 55 | Azul 14 | Amarillo 14 | 000 ⇄ 255 | Modo RGBW: 0–100% / Modo CMY: 100–0% |
| 56 | Blanco 14 | | 000 ⇄ 255 | Modo RGBW: 0–100% / Modo CMY: 100–0% |
| 57 | Rojo 15 | Cian 15 | 000 ⇄ 255 | Modo RGBW: 0–100% / Modo CMY: 100–0% |
| 58 | Verde 15 | Magenta 15 | 000 ⇄ 255 | Modo RGBW: 0–100% / Modo CMY: 100–0% |
| 59 | Azul 15 | Amarillo 15 | 000 ⇄ 255 | Modo RGBW: 0–100% / Modo CMY: 100–0% |
| 60 | Blanco 15 | | 000 ⇄ 255 | Modo RGBW: 0–100% / Modo CMY: 100–0% |
| 61 | Rojo 16 | Cian 16 | 000 ⇄ 255 | Modo RGBW: 0–100% / Modo CMY: 100–0% |
| 62 | Verde 16 | Magenta 16 | 000 ⇄ 255 | Modo RGBW: 0–100% / Modo CMY: 100–0% |
| 63 | Azul 16 | Amarillo 16 | 000 ⇄ 255 | Modo RGBW: 0–100% / Modo CMY: 100–0% |
| 64 | Blanco 16 | | 000 ⇄ 255 | Modo RGBW: 0–100% / Modo CMY: 100–0% |

Dual Control Pixels: Modo “Basic” (48CH)

| Canal | Función | | Valor | Porcentaje/Configuración |
|-------|----------|-------------|-----------|--------------------------------------|
| 1 | Rojo 1 | Cian 1 | 000 ⇔ 255 | Modo RGBW: 0–100% / Modo CMY: 100–0% |
| 2 | Verde 1 | Magenta 1 | 000 ⇔ 255 | Modo RGBW: 0–100% / Modo CMY: 100–0% |
| 3 | Azul 1 | Amarillo 1 | 000 ⇔ 255 | Modo RGBW: 0–100% / Modo CMY: 100–0% |
| 4 | Rojo 2 | Cian 2 | 000 ⇔ 255 | Modo RGBW: 0–100% / Modo CMY: 100–0% |
| 5 | Verde 2 | Magenta 2 | 000 ⇔ 255 | Modo RGBW: 0–100% / Modo CMY: 100–0% |
| 6 | Azul 2 | Amarillo 2 | 000 ⇔ 255 | Modo RGBW: 0–100% / Modo CMY: 100–0% |
| 7 | Rojo 3 | Cian 3 | 000 ⇔ 255 | Modo RGBW: 0–100% / Modo CMY: 100–0% |
| 8 | Verde 3 | Magenta 3 | 000 ⇔ 255 | Modo RGBW: 0–100% / Modo CMY: 100–0% |
| 9 | Azul 3 | Amarillo 3 | 000 ⇔ 255 | Modo RGBW: 0–100% / Modo CMY: 100–0% |
| 10 | Rojo 4 | Cian 4 | 000 ⇔ 255 | Modo RGBW: 0–100% / Modo CMY: 100–0% |
| 11 | Verde 4 | Magenta 4 | 000 ⇔ 255 | Modo RGBW: 0–100% / Modo CMY: 100–0% |
| 12 | Azul 4 | Amarillo 4 | 000 ⇔ 255 | Modo RGBW: 0–100% / Modo CMY: 100–0% |
| 13 | Rojo 5 | Cian 5 | 000 ⇔ 255 | Modo RGBW: 0–100% / Modo CMY: 100–0% |
| 14 | Verde 5 | Magenta 5 | 000 ⇔ 255 | Modo RGBW: 0–100% / Modo CMY: 100–0% |
| 15 | Azul 5 | Amarillo 5 | 000 ⇔ 255 | Modo RGBW: 0–100% / Modo CMY: 100–0% |
| 16 | Rojo 6 | Cian 6 | 000 ⇔ 255 | Modo RGBW: 0–100% / Modo CMY: 100–0% |
| 17 | Verde 6 | Magenta 6 | 000 ⇔ 255 | Modo RGBW: 0–100% / Modo CMY: 100–0% |
| 18 | Azul 6 | Amarillo 6 | 000 ⇔ 255 | Modo RGBW: 0–100% / Modo CMY: 100–0% |
| 19 | Rojo 7 | Cian 7 | 000 ⇔ 255 | Modo RGBW: 0–100% / Modo CMY: 100–0% |
| 20 | Verde 7 | Magenta 7 | 000 ⇔ 255 | Modo RGBW: 0–100% / Modo CMY: 100–0% |
| 21 | Azul 7 | Amarillo 7 | 000 ⇔ 255 | Modo RGBW: 0–100% / Modo CMY: 100–0% |
| 22 | Rojo 8 | Cian 8 | 000 ⇔ 255 | Modo RGBW: 0–100% / Modo CMY: 100–0% |
| 23 | Verde 8 | Magenta 8 | 000 ⇔ 255 | Modo RGBW: 0–100% / Modo CMY: 100–0% |
| 24 | Azul 8 | Amarillo 8 | 000 ⇔ 255 | Modo RGBW: 0–100% / Modo CMY: 100–0% |
| 25 | Rojo 9 | Cian 9 | 000 ⇔ 255 | Modo RGBW: 0–100% / Modo CMY: 100–0% |
| 26 | Verde 9 | Magenta 9 | 000 ⇔ 255 | Modo RGBW: 0–100% / Modo CMY: 100–0% |
| 27 | Azul 9 | Amarillo 9 | 000 ⇔ 255 | Modo RGBW: 0–100% / Modo CMY: 100–0% |
| 28 | Rojo 10 | Cian 10 | 000 ⇔ 255 | Modo RGBW: 0–100% / Modo CMY: 100–0% |
| 29 | Verde 10 | Magenta 10 | 000 ⇔ 255 | Modo RGBW: 0–100% / Modo CMY: 100–0% |
| 30 | Azul 10 | Amarillo 10 | 000 ⇔ 255 | Modo RGBW: 0–100% / Modo CMY: 100–0% |
| 31 | Rojo 11 | Cian 11 | 000 ⇔ 255 | Modo RGBW: 0–100% / Modo CMY: 100–0% |
| 32 | Verde 11 | Magenta 11 | 000 ⇔ 255 | Modo RGBW: 0–100% / Modo CMY: 100–0% |
| 33 | Azul 11 | Amarillo 11 | 000 ⇔ 255 | Modo RGBW: 0–100% / Modo CMY: 100–0% |
| 34 | Rojo 12 | Cian 12 | 000 ⇔ 255 | Modo RGBW: 0–100% / Modo CMY: 100–0% |
| 35 | Verde 12 | Magenta 12 | 000 ⇔ 255 | Modo RGBW: 0–100% / Modo CMY: 100–0% |
| 36 | Azul 12 | Amarillo 12 | 000 ⇔ 255 | Modo RGBW: 0–100% / Modo CMY: 100–0% |
| 37 | Rojo 13 | Cian 13 | 000 ⇔ 255 | Modo RGBW: 0–100% / Modo CMY: 100–0% |
| 38 | Verde 13 | Magenta 13 | 000 ⇔ 255 | Modo RGBW: 0–100% / Modo CMY: 100–0% |
| 39 | Azul 13 | Amarillo 13 | 000 ⇔ 255 | Modo RGBW: 0–100% / Modo CMY: 100–0% |
| 40 | Rojo 14 | Cian 14 | 000 ⇔ 255 | Modo RGBW: 0–100% / Modo CMY: 100–0% |
| 41 | Verde 14 | Magenta 14 | 000 ⇔ 255 | Modo RGBW: 0–100% / Modo CMY: 100–0% |
| 42 | Azul 14 | Amarillo 14 | 000 ⇔ 255 | Modo RGBW: 0–100% / Modo CMY: 100–0% |
| 43 | Rojo 15 | Cian 15 | 000 ⇔ 255 | Modo RGBW: 0–100% / Modo CMY: 100–0% |
| 44 | Verde 15 | Magenta 15 | 000 ⇔ 255 | Modo RGBW: 0–100% / Modo CMY: 100–0% |
| 45 | Azul 15 | Amarillo 15 | 000 ⇔ 255 | Modo RGBW: 0–100% / Modo CMY: 100–0% |
| 46 | Rojo 16 | Cian 16 | 000 ⇔ 255 | Modo RGBW: 0–100% / Modo CMY: 100–0% |
| 47 | Verde 16 | Magenta 16 | 000 ⇔ 255 | Modo RGBW: 0–100% / Modo CMY: 100–0% |
| 48 | Azul 16 | Amarillo 16 | 000 ⇔ 255 | Modo RGBW: 0–100% / Modo CMY: 100–0% |

Catálogo de colores

| Valor | Porcentaje/Configuración | | | | |
|------------------|---------------------------------|-----------|-----------|-----------|---------|
| 000 | Sin función | | | | |
| 001 ⇔ 002 | Blanco 2700K | R = 156 | G = 118 | B = 0 | W = 63 |
| 003 ⇔ 004 | Blanco 3200K | R = 156 | G = 141 | B = 5 | W = 89 |
| 005 ⇔ 006 | Blanco 4200K | R = 156 | G = 141 | B = 14 | W = 255 |
| 007 ⇔ 008 | Blanco 5600K | R = 156 | G = 207 | B = 54 | W = 255 |
| 009 ⇔ 010 | Blanco 8000K | R = 130 | G = 255 | B = 96 | W = 255 |
| 011 | Azul | R = 0 | G = 0 | B = 255 | W = 0 |
| 012 ⇔ 048 | + verde | R = 0 | G = 0–255 | B = 255 | W = 0 |
| 049 | Cyan | R = 0 | G = 255 | B = 255 | W = 0 |
| 050 ⇔ 086 | - azul | R = 0 | G = 255 | B = 255–0 | W = 0 |
| 087 | Verde | R = 0 | G = 255 | B = 0 | W = 0 |
| 088 ⇔ 124 | + rojo | R = 0–255 | G = 255 | B = 0 | W = 0 |
| 125 | Amarillo | R = 255 | G = 255 | B = 0 | W = 0 |
| 126 ⇔ 162 | - verde | R = 255 | G = 255–0 | B = 0 | W = 0 |
| 163 | Rojo | R = 255 | G = 0 | B = 0 | W = 0 |
| 164 ⇔ 200 | + azul | R = 255 | G = 0 | B = 0–255 | W = 0 |
| 201 | Magenta | R = 255 | G = 0 | B = 255 | W = 0 |
| 202 ⇔ 238 | - rojo | R = 255–0 | G = 0 | B = 255 | W = 0 |
| 239 | Azul | R = 0 | G = 0 | B = 255 | W = 0 |
| 240 ⇔ 247 | Cambio de color, rápido a lento | | | | |
| 248 ⇔ 255 | Salto de color, rápido a lento | | | | |

Configuración de obturador

| Valor | Porcentaje/Configuración | Valor | Porcentaje/Configuración |
|------------------|--|------------------|--|
| 000 ⇔ 019 | Apagado | 145 ⇔ 149 | Encendido |
| 020 ⇔ 024 | Encendido | 150 ⇔ 164 | Estroboscopio aleatorio 0–100%, rápido a lento |
| 025 ⇔ 064 | Estroboscopio, rápido a lento | 165 ⇔ 169 | Encendido |
| 065 ⇔ 069 | Encendido | 170 ⇔ 184 | Estroboscopio pulso, rápido a lento |
| 070 ⇔ 084 | Estroboscopio 100–0%, rápido a lento | 185 ⇔ 189 | Encendido |
| 085 ⇔ 089 | Encendido | 190 ⇔ 204 | Estroboscopio pulso aleatorio, rápido a lento |
| 090 ⇔ 104 | Estroboscopio 0–100%, rápido a lento | 205 ⇔ 209 | Encendido |
| 105 ⇔ 109 | Encendido | 210 ⇔ 224 | Estroboscopio 0–100–0%, rápido a lento |
| 110 ⇔ 124 | Estroboscopio aleatorio, rápido a lento | 225 ⇔ 229 | Encendido |
| 125 ⇔ 129 | Encendido | 230 ⇔ 244 | Estroboscopio pulso aleatorio, rápido a lento |
| 130 ⇔ 144 | Estroboscopio aleatorio 100–0%, rápido a lento | 245 ⇔ 255 | Encendido |

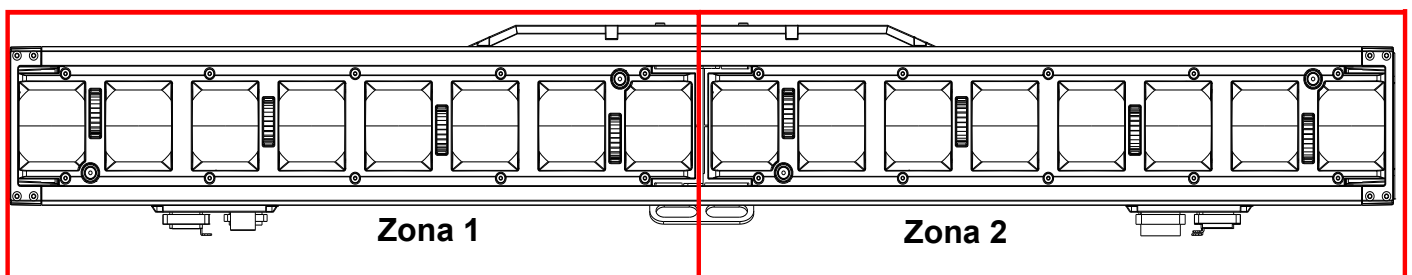
Configuración de control

| Valor | Porcentaje/Configuración | Valor | Porcentaje/Configuración |
|------------------|---|------------------|--------------------------------|
| 000 ⇔ 009 | Sin función | 095 ⇔ 099 | Reservado para usos futuros |
| 010 ⇔ 014 | Blackout inclinación | 100 ⇔ 104 | Inclinación reverso desactivar |
| 015 ⇔ 019 | Reservado para usos futuros | 105 ⇔ 119 | Reservado para usos futuros |
| 020 ⇔ 024 | Modo de mezcla de color RGBW (adición) | 120 ⇔ 124 | Modo de ventilador ECO |
| 025 ⇔ 029 | Modo de mezcla de color CMY (sustracción) | 125 ⇔ 129 | Modo de ventilador al máximo |
| 030 ⇔ 039 | Reservado para usos futuros | 130 ⇔ 134 | Modo de ventilador automático |
| 040 ⇔ 044 | Descongelar ventilador encendido | 135 ⇔ 139 | Modo de atenuador rápido |
| 045 ⇔ 049 | Descongelar ventilador apagado | 140 ⇔ 144 | Modo de atenuador lento |
| 050 ⇔ 054 | Reservado para usos futuros | 145 ⇔ 149 | Linear |
| 055 ⇔ 059 | Reiniciar inclinación | 150 ⇔ 154 | Square |
| 060 ⇔ 064 | Restablecer zoom | 155 ⇔ 159 | i Squa |
| 065 ⇔ 069 | Reservado para usos futuros | 160 ⇔ 164 | SCurve |
| 070 ⇔ 074 | Reiniciar todo | 165 ⇔ 169 | Modo blanco |
| 075 ⇔ 089 | Reservado para usos futuros | 170 ⇔ 174 | Modo completo |
| 090 ⇔ 094 | Inclinación reverso | 175 ⇔ 255 | Reservado para usos futuros |

Macro LED

| Valor | Porcentaje/Configuración | Valor | Porcentaje/Configuración |
|-----------|--|-----------|---|
| 000 ⇔ 015 | Sin función | 136 ⇔ 137 | Macro de color automático 38 |
| 016 ⇔ 017 | Macro de color controlable 1 | 138 ⇔ 139 | Macro de color automático 39 |
| 018 ⇔ 019 | Macro de color controlable 2 | 140 ⇔ 141 | Macro de color automático 40 |
| 020 ⇔ 021 | Macro de color controlable 3 | 142 ⇔ 143 | Macro de color automático 41 |
| 022 ⇔ 023 | Macro de color controlable 4 | 144 ⇔ 145 | Macro de color automático 42 |
| 024 ⇔ 025 | Macro de color controlable 5 | 146 ⇔ 147 | Macro de color automático 43 |
| 026 ⇔ 027 | Macro de color controlable 6 | 148 ⇔ 149 | Macro de color automático 44 |
| 028 ⇔ 029 | Macro de color controlable 7 | 150 ⇔ 151 | Macro de color automático 45 |
| 030 ⇔ 031 | Macro de color controlable 8 | 152 ⇔ 153 | Macro de color automático 46 |
| 032 ⇔ 033 | Macro de color controlable 9 | 154 ⇔ 155 | Macro de color automático 47 |
| 034 ⇔ 035 | Macro de color controlable 10 | 156 ⇔ 157 | Macro de color automático 48 |
| 036 ⇔ 037 | Macro de color controlable 11 | 158 ⇔ 159 | Macro de color automático 49 |
| 038 ⇔ 039 | Macro de color controlable 12 | 160 ⇔ 161 | Macro de color automático 50 |
| 040 ⇔ 041 | Macro de color controlable 13 | 162 ⇔ 163 | Macro de color automático 51 |
| 042 ⇔ 043 | Macro de color controlable 14 | 164 ⇔ 165 | Macro de color automático 52 |
| 044 ⇔ 045 | Macro de color controlable 15 | 166 ⇔ 167 | Macro de color automático 53 |
| 046 ⇔ 047 | Macro de color controlable 16 | 168 ⇔ 169 | Macro de color automático 54 |
| 048 ⇔ 049 | Macro de color controlable 17 | 170 ⇔ 171 | Macro de color automático 55 |
| 050 ⇔ 051 | Macro de color controlable 18 | 172 ⇔ 173 | Macro de color automático 56 |
| 052 ⇔ 053 | Macro de color controlable 19 | 174 ⇔ 175 | Macro de color automático 57 |
| 054 ⇔ 055 | Macro de color controlable 20 | 176 ⇔ 177 | Macro de color automático 58 |
| 056 ⇔ 057 | Macro de color controlable 21 | 178 ⇔ 179 | Macro de color automático 59 |
| 058 ⇔ 059 | Macro de color controlable 22 | 180 ⇔ 181 | Macro de color automático 60 |
| 060 ⇔ 061 | Macro de color controlable 23 | 182 ⇔ 183 | Macro de color automático 61 |
| 062 ⇔ 063 | Macro de color controlable 24 | 184 ⇔ 185 | Macro de color automático 62 |
| 064 ⇔ 065 | Macro de color controlable 25 | 186 ⇔ 187 | Macro de color automático 63 |
| 066 ⇔ 067 | Macro de color controlable 26 | 188 ⇔ 189 | Macro de color automático 64 |
| 068 ⇔ 069 | Macro de color controlable 27 | 190 ⇔ 191 | Macro de color automático 65 |
| 070 ⇔ 071 | Macro de color controlable 28 | 192 ⇔ 193 | Macro de color automático 66 |
| 072 ⇔ 073 | Macro de color controlable 29 | 194 ⇔ 195 | Macro de color automático 67 |
| 074 ⇔ 075 | Macro de color controlable 30 | 196 ⇔ 197 | Macro de color automático 68 |
| 076 ⇔ 077 | Macro de color controlable 31 | 198 ⇔ 199 | Macro de color automático 69 |
| 078 ⇔ 079 | Macro de color controlable 32 | 200 ⇔ 201 | Macro de color automático 70 |
| 080 ⇔ 081 | Macro de color controlable 33 | 202 ⇔ 203 | Macro de color automático 71 |
| 082 ⇔ 083 | Macro de color controlable 34 | 204 ⇔ 205 | Macro de color automático 72 |
| 084 ⇔ 085 | Macro de color controlable 35 | 206 ⇔ 207 | Macro de color automático 73 |
| 086 ⇔ 087 | Macro de color controlable 36 | 208 ⇔ 255 | Macro de color automático 74 (macro principal) |
| 088 ⇔ 135 | Macro de color controlable 37 (macro principal) | | |

Zonas de zoom



À Propos de ce Manuel

Le Manuel de Référence du COLORado PXL Bar 16 (MdR) reprend des informations de base sur cet appareil notamment en matière de connexions, montage, options de menu et valeurs DMX. Télécharger le Manuel d'Utilisation sur www.chauvetprofessional.com pour de plus amples informations.

Clause de Non-Responsabilité

Les informations et caractéristiques contenues dans ce manuel sont sujettes à changement sans préavis.

GARANTIE LIMITÉE

VEUILLEZ VISITER NOTRE SITE INTERNET POUR CONSULTER LES MODALITÉS D'ENREGISTREMENT DE LA GARANTIE ET LES CONDITIONS GÉNÉRALES COMPLÈTES.

Pour les clients aux États-Unis et au Mexique: www.chauvetlighting.com/warranty-registration.

Pour les clients du Royaume-Uni, de la République d'Irlande, de la Belgique, des Pays-Bas, du Luxembourg, de la France et de l'Allemagne: www.chauvetlighting.eu/warranty-registration.

Chauvet garantit que cet appareil est exempt de défauts de matériaux et de fabrication dans des conditions normales d'utilisation, pendant la période spécifiée dans la garantie limitée complète consultable sur notre site Internet et sous réserve des exclusions et limitations qui y sont énoncées. Cette garantie ne s'applique qu'à l'acheteur initial du produit et n'est pas transférable. Pour exercer les droits prévus par cette garantie, vous devez fournir une preuve d'achat sous la forme d'un reçu de vente original d'un revendeur autorisé qui indique le nom du produit et la date d'achat. IL N'EXISTE AUCUNE AUTRE GARANTIE EXPRESSE OU IMPLICITE. Cette garantie vous confère des droits légaux spécifique. Vous pouvez également bénéficier d'autres droits qui varient selon les états et les pays. Cette garantie n'est valable qu'aux États-Unis, au Royaume-Uni, en République d'Irlande, en Belgique, aux Pays-Bas, au Luxembourg, en France, en Allemagne et au Mexique. Pour connaître les conditions de garantie dans d'autres pays, veuillez consulter votre revendeur local.

Consignes de Sécurité

- N'ouvrez PAS cet appareil. Il ne contient aucun composant susceptible d'être réparé par l'utilisateur.
- Ne regardez PAS la source lumineuse lorsque l'appareil fonctionne.
- Montez toujours cet appareil dans un endroit bien ventilé, à au moins, 20 cm des surfaces adjacentes.
- Ne laissez AUCUNE source inflammable dans un rayon de 20 cm de l'appareil lorsque celui-ci fonctionne.
- N'immergez PAS ce produit (IP 65). Un usage temporaire en extérieur est autorisé.
- Ne convient pas aux installations permanentes en extérieur sur des sites sujets à des conditions environnementales extrêmes. Cela inclut par exemple :
 - L'exposition à un environnement marin ou à une solution saline (à moins de 4,8 kilomètres d'un corps d'eau salée).
 - Lorsque les températures moyennes hautes ou basses du site dépassent les plages de températures indiquées dans ce manuel.
 - Les sites qui sont sujets aux inondations ou qui présentent un risque d'être ensevelis sous la neige.
 - Tout autre endroit où le produit risque d'être soumis à des rayonnements extrêmes ou à des substances caustiques.
- ATTENTION : Le boîtier de cet appareil est brûlant lors du fonctionnement.
- ATTENTION : Lorsque l'appareil est transféré d'un environnement à température extrême à un autre (par exemple d'un camion froid vers une salle de bal chaude et humide), de la condensation peut se former sur les composants électriques internes. Pour éviter de causer des dommages, laissez l'appareil s'acclimater entièrement au milieu environnant avant de le mettre sous tension.
- Utilisez TOUJOURS un câble de sécurité lorsque vous montez cet appareil en hauteur.
- N'utilisez PAS cet appareil si le boîtier, les lentilles ou les câbles vous semblent endommagés.
- Ne connectez PAS cet appareil ni à un gradateur ni à un rhéostat.
- Connectez UNIQUEMENT cet appareil à un circuit protégé et relié à la terre.
- Transportez/Suspendez cet appareil UNIQUEMENT par le support de montage dont il est doté.
- Durant les périodes de non-utilisation, pour éviter tout usure inutile et pour prolonger la durée de vie, déconnectez-entièrement l'appareil en le débranchant de l'alimentation électrique ou en coupant le disjoncteur.
- En cas de sérieux problèmes de fonctionnement, arrêtez le système immédiatement.
- La température ambiante maximale supportée par cet appareil est de 113 °F (45 °C). Ne le faites pas fonctionner à des températures plus élevées.
- Le luminaire doit être placé de manière à ce qu'il ne soit pas possible de le regarder de manière fixe à une distance inférieure à 3,0 m.
- Si le câble ou le cordon flexible externe de ce luminaire est endommagé, il doit être remplacé par un câble ou cordon spécial disponible exclusivement auprès du fabricant ou de son prestataire de service.
- La source lumineuse contenue dans ce luminaire ne peut être remplacée que par le fabricant ou son prestataire de service ou une personne suffisamment qualifiée.
- Ce luminaire est uniquement réservé à un usage professionnel.

Conformité FCC

Cet appareil est conforme à la partie 15, sous-partie B du règlement de la FCC. L'utilisation est soumise aux deux conditions suivantes:

1. Cet appareil ne doit pas causer d'interférences nuisibles, et
2. Cet appareil doit accepter toutes les interférences reçues, y compris celles pouvant entraîner un fonctionnement indésirable.

Tout changement ou modification non expressément approuvé par l'autorité responsable de la conformité pourrait annuler le droit de l'utilisateur à utiliser l'équipement.

Contact

En dehors des États-Unis, du Royaume-Uni, de l'Irlande, du Benelux, de la France, de l'Allemagne, ou du Mexique, contactez votre fournisseur si vous avez besoin d'assistance ou pour retourner un appareil. Référez-vous à [Contact Us](#) à la fin de ce MdR pour obtenir des informations pour nous contacter.

Ce Qui est Inclus

- COLORado PXL Bar 16
- Cordon d'alimentation Seetronic Powerkon IP65
- 2 fixations Omega avec matériel de montage
- Manuel de Référence

Alimentation CA

Cet appareil est doté d'une alimentation universelle prenant en charge toute tension d'entrée comprise entre 100 et 240 V~, 50/60 Hz.

Connexion Électrique

Vous pouvez connecter entre eux jusqu'à 3 COLORado PXL Bar 16 à 208, 230 ou 240 V. Ne dépassez jamais cette limite. Vous pouvez vous procurer séparément des cordons d'alimentation de raccordement.

Prise CA

| Connexion | Câble (États-Unis) | Câble (Europe) | Couleur de la vis |
|---------------|--------------------|----------------|-------------------|
| Conducteur CA | Noir | Marron | Jaune/Cuivré |
| Neutre CA | Blanc | Bleu | Argenté |
| Terre CA | Vert/Jaune | Vert/Jaune | Vert |



Durant les périodes de non-utilisation, pour éviter tout usure inutile et pour prolonger la durée de vie, déconnectez-entièrement l'appareil en le débranchant de l'alimentation électrique ou en coupant le disjoncteur.

Connexions du signal

Vous pouvez relier le COLORado PXL Bar 16 à un contrôleur ou à un logiciel de contrôle à l'aide d'une connexion DMX, une connexion Ethernet ou les deux à la fois. En cas d'utilisation du COLORado PXL Bar 16 conjointement avec d'autres appareils compatibles avec les protocoles Art-Net™, sACN ou Kling-Net, vous gardez le contrôle individuel sur un même réseau. Veuillez consulter le manuel d'utilisation pour plus d'informations sur la connexion et la configuration de l'appareil avec ces signaux.

Personnalités de contrôle

Le COLORado PXL Bar 16 utilise les protocoles DMX, Art-Net™, sACN et Kling-Net pour ses personnalités de contrôle:

| Single Mode | Dual Mode Movement | Dual Mode Pixels |
|-------------------------------|-------------------------------|--|
| Basic (20 canaux) | Basic (8 canaux) | Basic (48 canaux) |
| Standard (84 canaux) | Standard (20 canaux) | Standard (64 canaux) |
| Advanced (154 canaux) | Advanced (26 canaux) | Advanced (128 canaux) |
| Tour (186 canaux) | Utilise DMX, Art-Net™ ou sACN | Utilise DMX, Art-Net™, sACN ou Kling-Net |
| Utilise DMX, Art-Net™ ou sACN | | |

Raccordement DMX

Le COLORado PXL Bar 16 fonctionnera avec une console DMX au moyen d'une connexion série DMX à 5 broches. Une introduction au DMX est à votre disposition sur www.chauvetprofessional.com.

RDM (Gestion des périphériques à distance)

Le protocole RDM (gestion des périphériques à distance) est un standard pour la communication bidirectionnelle des appareils dotés de fonctions DMX dans un câblage DMX existant. Le COLORado PXL Bar 16 supporte le protocole RDM permettant un retour d'information pour la surveillance et des changements des options de menu. Veuillez télécharger le manuel de l'utilisateur à partir du site internet www.chauvetprofessional.com pour plus de détails.

Connexions Art-Net™

Art-Net™ est un protocole Ethernet par TCP/IP qui permet de transférer de grandes quantités de données DMX512 en utilisant une connexion Amphenol XLR Net RJ45 sur un grand réseau. Une introduction au protocole Art-Net™ est disponible sur le site internet www.chauvetprofessional.com. Chauvet Professional recommande d'utiliser le mode Unicast pour de meilleurs résultats.

Art-Net™ conçu et droit d'auteur par Artistic Licence Holdings Ltd.

Connexions sACN

Également appelé ANSI E1.31, le streaming ACN est un protocole Ethernet qui utilise les couches et le formatage de l'Architecture for Control Networks pour transporter des données DMX512 par IP ou tout autre réseau compatible ACN.

Connexion Kling-Net

Kling-Net est un protocole réseau qui permet la configuration automatique des appareils d'affichage en utilisant une connexion Ethernet etherCON RJ45. Référez-vous au manuel du logiciel ArKaos pour des instructions détaillées sur la programmation de cet appareil.



- Pour un fonctionnement sans problème, le protocole ArKaos Kling-Net nécessite l'utilisation d'une carte réseau Ethernet gigabit (1000 Mbps) et d'un routeur.
- Le protocole ArKaos Kling-Net permet uniquement de faire fonctionner les modes « Standard Pixels » ou « Basic Pixels ».

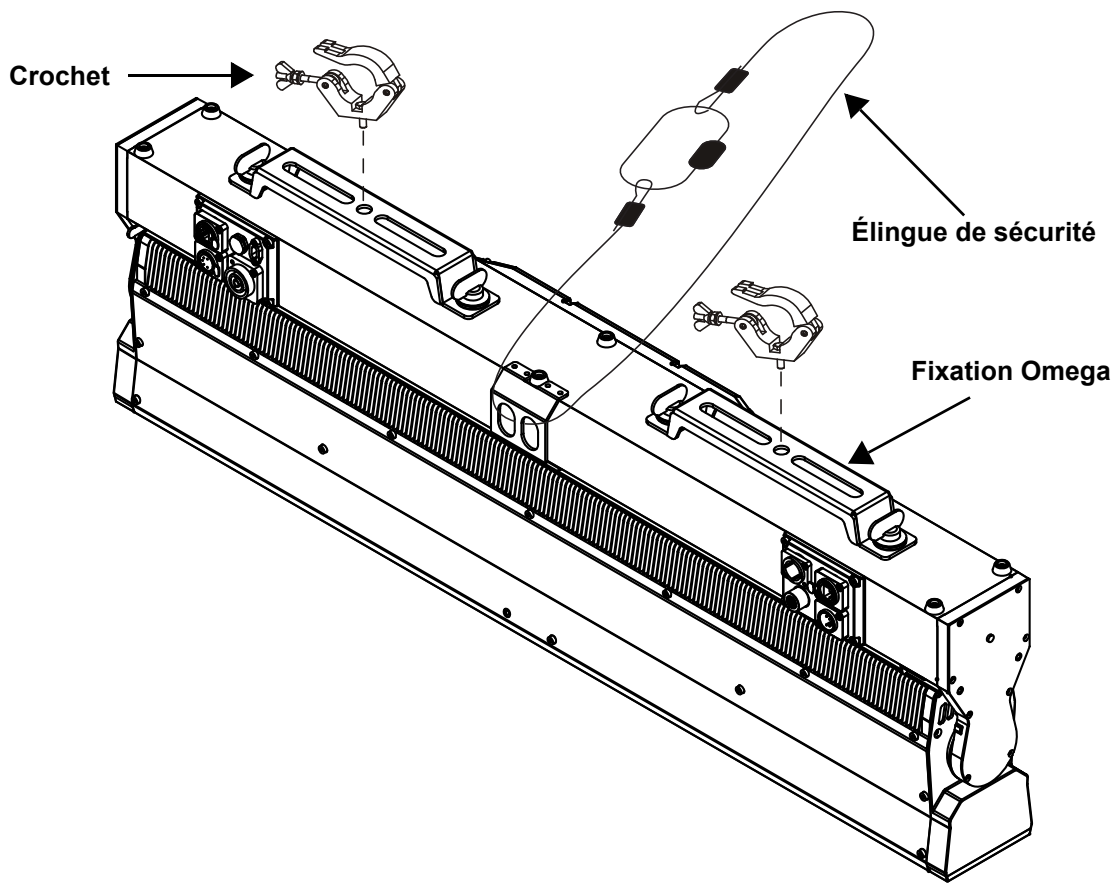
Connexion Maître/ Esclave

Le COLORado PXL Bar 16 utilise une connexion de données DMX pour son mode Maître/Esclave. Consultez le Manuel d'Utilisation pour connecter et configurer le mode de fonctionnement Maître/Esclave.

Installation

Avant de monter cet appareil, lisez et assimilez les [Consignes de Sécurité](#). Utilisez au moins deux points de fixation par appareil. Soyez sûr que les crochets sont capables de supporter le poids du produit. Pour voir notre gamme de crochets, rendez-vous sur <http://trusst.com/productcategory/truss-clamps>.

Schéma de Montage de l'Appareil



Description du Tableau de Commandes

| Bouton | Fonction |
|---------|---|
| <MENU> | Permet la sortie du menu ou de la fonction en cours |
| <ENTER> | Permet l'affichage du menu en cours ou permet de configurer la valeur en cours dans la fonction sélectionnée |
| <UP> | Permet de parcourir les listes ou les menus vers le haut, dans une fonction permet d'augmenter les valeurs numériques |
| <DOWN> | Permet de parcourir les listes ou les menus vers le bas, dans une fonction permet de diminuer les valeurs numériques |

Plan du Menu

Reportez-vous à la page du produit COLORado PXL Bar 16 sur www.chauvetprofessional.com pour la dernière carte des menu.

| Niveaux de Programmation | | | | Description |
|--------------------------|-------------|-------------|---|--|
| Address | | | | Address Niveau Principal |
| Single Control | DMX | Personality | Basic | Définir la personnalité DMX (voir la section Personnalités de contrôle) |
| | | | Standard | |
| | | | Advanced | |
| | | | Tour | |
| | ArtNet | Personality | Basic | Définir la personnalité Art-Net™ (voir la section Personnalités de contrôle) |
| | | | Standard | |
| | | | Advanced | |
| | | | Tour | |
| | sACN | Personality | Basic | Définir la personnalité sACN (voir la section Personnalités de contrôle) |
| | | | Standard | |
| | | | Advanced | |
| | | | Tour | |
| Dual Control | DMX | Personality | Basic | Définir la personnalité DMX (voir la section Personnalités de contrôle) |
| | | | Standard | |
| | | | Advanced | |
| | | | Tour | |
| | ArtNet | Personality | Basic | Définir la personnalité Art-Net™ (voir la section Personnalités de contrôle) |
| | | | Standard | |
| | | | Advanced | |
| | | | Tour | |
| | sACN | Personality | Basic | Définir la personnalité sACN (voir la section Personnalités de contrôle) |
| | | | Standard | |
| | | | Advanced | |
| | | | Tour | |
| Address | DMX | Personality | Basic | Définir la personnalité DMX (voir la section Personnalités de contrôle) |
| | | | Standard | |
| | | | Advanced | |
| | | | Tour | |
| | ArtNet | Personality | Basic | Définir la personnalité Art-Net™ (voir la section Personnalités de contrôle) |
| | | | Standard | |
| | | | Advanced | |
| | | | Tour | |
| | sACN | Personality | Basic | Définir la personnalité sACN (voir la section Personnalités de contrôle) |
| | | | Standard | |
| | | | Advanced | |
| | | | Tour | |
| Movement | DMX | Personality | Basic | Définir la personnalité DMX (voir la section Personnalités de contrôle) |
| | | | Standard | |
| | | | Advanced | |
| | | | Tour | |
| | ArtNet | Personality | Basic | Définir la personnalité Art-Net™ (voir la section Personnalités de contrôle) |
| | | | Standard | |
| | | | Advanced | |
| | | | Tour | |
| | sACN | Personality | Basic | Définir la personnalité sACN (voir la section Personnalités de contrôle) |
| | | | Standard | |
| | | | Advanced | |
| | | | Tour | |
| Pixels | DMX | Personality | Basic | Définir la personnalité DMX (voir la section Personnalités de contrôle) |
| | | | Standard | |
| | | | Advanced | |
| | | | Tour | |
| | ArtNet | Personality | Basic | Définir la personnalité Art-Net™ (voir la section Personnalités de contrôle) |
| | | | Standard | |
| | | | Advanced | |
| | | | Tour | |
| | sACN | Personality | Basic | Définir la personnalité sACN (voir la section Personnalités de contrôle) |
| | | | Standard | |
| | | | Advanced | |
| | | | Tour | |
| KlingNet | Personality | Basic | Définir la personnalité Kling-Net (voir la section Personnalités de contrôle) | |
| | | Standard | | |

| Niveau Principal | Niveaux de Programmation | | | Description | |
|------------------|--------------------------|--|--------------------|---|---|
| Run Mode | Auto Test | | | Effectuer un test automatique de toutes les fonctions | |
| | Manual Test | Tilt P/T Speed Red Green Blue White CTC Color Pattern LED Macro LED Ma. Speed LED Ma. Fade Background Background Dim. Dimmer Shutter Function Zoom1 Zoom 2 | 000–255 | Contrôler et tester manuellement chaque paramètre depuis le panneau de commande | |
| Setup | Network Settings | IP Mode | | Manual | Réglage manuel de l'adresse IP |
| | | | | DHCP | L'adresse IP est définie par le réseau |
| | | | | Static | L'adresse IP est définie par l'appareil |
| | | IP | IP Byte 1–4 | 000–255 | Réglage de l'adresse IP en mode manuel |
| | SMK | SubMask 1–4 | 000–255 | Réglage du masque de sous-réseau en mode manuel | |
| | Tilt Reverse | | | NO | Fonctionnement normal du tilt |
| | | | | YES | Fonctionnement inversé du tilt |
| | Zoom Reverse | | | NO | Zoom normal |
| | | | | YES | Zoom inverse |
| | Screen Reverse | | | NO | L'écran s'affiche à normal |
| | | | | YES | L'écran s'affiche à l'envers |
| | | | | AUTO | Orientation automatique de l'écran |
| | Tilt Angle | | | 200 | Plage d'angle de tilt: 200° |
| | | | | 180 | Plage d'angle de tilt: 180° |
| | | | | 60 | Plage d'angle de tilt: 60° |
| | BL. O. P/T Move | | | NO | Pas de noir général pendant le tilt |
| | | | | YES | Noir général pendant le tilt |
| | Backlight Timer | | | 30S | L'affichage s'éteint après 30 secondes |
| | | | | 1M | L'affichage s'éteint après 1 minute |
| | | | | 5M | L'affichage s'éteint après 5 minutes |
| ON | | | | L'affichage reste allumé | |
| Loss of Data | | | Hold | Conservation du dernier signal reçu | |
| | | | Close | Extinction de l'unité | |
| Fans | | | Auto | La vitesse du ventilateur s'adapte à la température de l'appareil | |
| | | | Full | La vitesse du ventilateur est réglée sur la vitesse haute | |
| | | | ECO | Mode silencieux | |
| Defrost Fan | | | OFF | Activer le ventilateur de dégivrage | |
| | | | ON | Désactiver le ventilateur de dégivrage | |
| C Mixing Mode | | | RGBW | Mélange de couleur supplémentaire (0 à 100%) | |
| | | | CMY | Mélange de couleur retirée (100% à 0) | |

| Niveau Principal | Niveaux de Programmation | | Description | |
|------------------|--------------------------|--|--|--|
| Setup | Dimmer Curve | Linear Square 1 Squa SCurve | Définir la courbe de gradation | |
| | Dimmer Speed | Smooth Fast | Modifier la vitesse de gradation | |
| | PWM Option | 600Hz 1200Hz 2000Hz 4000Hz 6000Hz 15000Hz | Permet de sélectionner la fréquence de sortie MLI | |
| | Cell Order | 1-16 | La lumière s'active de gauche à droite | |
| | | 16-1 | La lumière s'active de droite à gauche | |
| | Calibrated White | ON | Température de sortie de la lumière réglée par défaut à 7500K | |
| | | OFF | Désactive le réglage de calibration du blanc | |
| | | Custom | Ajustez la température de sortie de la lumière à l'aide du paramètre de balance des blancs | |
| | White Balance | Red | 000-255 | Définir la valeur maximum de LED rouge |
| | | Green | | Définir la valeur maximum de LED verte |
| | | Blue | | Définir la valeur maximum de LED bleue |
| | | White | | Définir la valeur maximum de LED blanche |
| | Preset Select | PRESET A PRESET B PRESET C | Options de menu des préséglages enregistrés | |
| | Preset Sync | NO | Permet de transférer les options de menu des préséglages enregistrés vers d'autres appareils COLORado PXL Bar 16 de la chaîne DMX en guirlande | |
| YES | | | | |
| USB Update | NO | Active/désactive mise à jour par USB | | |
| | YES | | | |
| Reset Function | Tilt | NO | Réinitialiser chaque fonction de manière individuelle ou toutes les fonctions à partir du démarrage | |
| | | YES | | |
| | Zoom | NO | | |
| | | YES | | |
| All | NO | | | |
| | YES | | | |
| Factory Settings | NO | Réinitialisation aux paramètres par défaut d'usine | | |
| | YES | | | |
| Information | Firmware Version | | V_ | Affiche la version du micrologiciel |
| | Running Mode | | --- | Affiche le mode d'exécution actuel |
| | Address | | --- | Affiche l'adresse de départ actuelle |
| | Temperature | | --- | Affiche la température actuelle de l'appareil en °C |
| | Fixture Time | | ----- | Affiche le nombre d'heure pendant lequel l'appareil est resté allumé |
| | LED Hours | | ----- | Affiche le nombre total d'heures pendant lesquelles la LED a été allumée |
| | ArtNet Info | Ip | ----- | Affiche l'adresse IP actuelle |
| | | SubMask | ----- | Affiche le masque de sous-réseau actuel |
| | | MAC | ----- | Affiche l'adresse MAC actuelle |
| | Device UID | | ----- | Affiche l'UID du produit |
| | Fan Information | Head Fan 1-10 | ----- | Affiche la vitesse du ventilateur de tête 1-10 en tr / min |
| Defrost Fan 1-2 | | ----- | Affiche la vitesse du ventilateur de dégivrage en tr / min | |
| Base Fan 1-2 | | ----- | Affiche la vitesse du ventilateur de base en tr/min | |

Valeurs DMX

Single Control: Mode « Tour » (186CH)

| Canal | Fonction | Valeur | Pourcentage/Paramétrage |
|-------|--|-------------------------------|---|
| 1 | Inclinaison | 000 ⇔ 255 | 0–100% |
| 2 | Inclinaison fin | 000 ⇔ 255 | 0–100% |
| 3 | Vitesse d'inclinaison | 000 ⇔ 255 | 0–100% |
| 4 | CTC | 000 001 ⇔ 255 | Pas de fonction Température de couleur, 1900–2700 K |
| 5 | Couleur | 000 ⇔ 255 | voir Charte de couleurs |
| 6 | Motifs (voir Motifs) | 000 001 ⇔ 255 | Pas de fonction Motif 1–255 |
| 7 | Macro LED | 000 ⇔ 255 | voir Macro LED |
| 8 | Vitesse pour macro LED | 000 ⇔ 127 128 129 ⇔ 255 | Rapide à lent, sens horaire Attente Lent à rapide, dans le sens antihoraire |
| 9 | Décalage interne LED | 000 ⇔ 255 | Rapide à lent |
| 10 | Couleur de l'arrière plan | 000 ⇔ 255 | voir Charte de couleurs |
| 11 | Gradateur de l'arrière plan | 000 ⇔ 255 | 0–100% |
| 12 | Gradateur fin de l'arrière plan | 000 ⇔ 255 | 0–100% |
| 13 | Gradateur | 000 ⇔ 255 | 0–100% |
| 14 | Gradateur fin | 000 ⇔ 255 | 0–100% |
| 15 | Obturateur | 000 ⇔ 255 | voir Paramètres obturateur |
| 16 | Zoom 1 (voir Zones de zoom) | 000 ⇔ 255 | Large à étroit (Zone 1) |
| 17 | Zoom 2 (voir Zones de zoom) | 000 ⇔ 255 | Large à étroit (Zone 2) |
| 18 | Contrôle | 000 ⇔ 255 | voir Paramètres de contrôle |
| 19 | Rouge principal | 000 ⇔ 255 | Mode RGBW: 0–100% / Mode CMY: 100–0% |
| 20 | Rouge fin principal | 000 ⇔ 255 | Mode RGBW: 0–100% / Mode CMY: 100–0% |
| 21 | Vert principal | 000 ⇔ 255 | Mode RGBW: 0–100% / Mode CMY: 100–0% |
| 22 | Vert fin principal | 000 ⇔ 255 | Mode RGBW: 0–100% / Mode CMY: 100–0% |
| 23 | Bleu principal | 000 ⇔ 255 | Mode RGBW: 0–100% / Mode CMY: 100–0% |
| 24 | Bleu fin principal | 000 ⇔ 255 | Mode RGBW: 0–100% / Mode CMY: 100–0% |
| 25 | Blanc principal | 000 ⇔ 255 | Mode RGBW: 0–100% / Mode CMY: 100–0% |
| 26 | Blanc fin principal | 000 ⇔ 255 | Mode RGBW: 0–100% / Mode CMY: 100–0% |
| 27 | Gradateur 1 | 000 ⇔ 255 | 0–100% |
| 28 | Gradateur fin 1 | 000 ⇔ 255 | 0–100% |
| 29 | Rouge 1 Cyan 1 | 000 ⇔ 255 | Mode RGBW: 0–100% / Mode CMY: 100–0% |
| 30 | Rouge fin 1 Cyan fin 1 | 000 ⇔ 255 | Mode RGBW: 0–100% / Mode CMY: 100–0% |
| 31 | Vert 1 Magenta 1 | 000 ⇔ 255 | Mode RGBW: 0–100% / Mode CMY: 100–0% |
| 32 | Vert fin 1 Magenta fin 1 | 000 ⇔ 255 | Mode RGBW: 0–100% / Mode CMY: 100–0% |
| 33 | Bleu 1 Jaune 1 | 000 ⇔ 255 | Mode RGBW: 0–100% / Mode CMY: 100–0% |
| 34 | Bleu fin 1 Jaune fin 1 | 000 ⇔ 255 | Mode RGBW: 0–100% / Mode CMY: 100–0% |
| 35 | Blanc 1 | 000 ⇔ 255 | Mode RGBW: 0–100% / Mode CMY: 100–0% |
| 36 | Blanc fin 1 | 000 ⇔ 255 | Mode RGBW: 0–100% / Mode CMY: 100–0% |
| 37 | Gradateur 2 | 000 ⇔ 255 | 0–100% |
| 38 | Gradateur fin 2 | 000 ⇔ 255 | 0–100% |
| 39 | Rouge 2 Cyan 2 | 000 ⇔ 255 | Mode RGBW: 0–100% / Mode CMY: 100–0% |
| 40 | Rouge fin 2 Cyan fin 2 | 000 ⇔ 255 | Mode RGBW: 0–100% / Mode CMY: 100–0% |
| 41 | Vert 2 Magenta 2 | 000 ⇔ 255 | Mode RGBW: 0–100% / Mode CMY: 100–0% |
| 42 | Vert fin 2 Magenta fin 2 | 000 ⇔ 255 | Mode RGBW: 0–100% / Mode CMY: 100–0% |
| 43 | Bleu 2 Jaune 2 | 000 ⇔ 255 | Mode RGBW: 0–100% / Mode CMY: 100–0% |
| 44 | Bleu fin 2 Jaune fin 2 | 000 ⇔ 255 | Mode RGBW: 0–100% / Mode CMY: 100–0% |
| 45 | Blanc 2 | 000 ⇔ 255 | Mode RGBW: 0–100% / Mode CMY: 100–0% |

| Canal | Fonction | Valeur | Pourcentage/Paramétrage |
|-------|-------------------------------|-----------|--------------------------------------|
| 46 | Blanc fin 2 | 000 ⇔ 255 | Mode RGBW: 0–100% / Mode CMY: 100–0% |
| 47 | Gradateur 3 | 000 ⇔ 255 | 0–100% |
| 48 | Gradateur fin 3 | 000 ⇔ 255 | 0–100% |
| 49 | Rouge 3 Cyan 3 | 000 ⇔ 255 | Mode RGBW: 0–100% / Mode CMY: 100–0% |
| 50 | Rouge fin 3 Cyan fin 3 | 000 ⇔ 255 | Mode RGBW: 0–100% / Mode CMY: 100–0% |
| 51 | Vert 3 Magenta 3 | 000 ⇔ 255 | Mode RGBW: 0–100% / Mode CMY: 100–0% |
| 52 | Vert fin 3 Magenta fin 3 | 000 ⇔ 255 | Mode RGBW: 0–100% / Mode CMY: 100–0% |
| 53 | Bleu 3 Jaune 3 | 000 ⇔ 255 | Mode RGBW: 0–100% / Mode CMY: 100–0% |
| 54 | Bleu fin 3 Jaune fin 3 | 000 ⇔ 255 | Mode RGBW: 0–100% / Mode CMY: 100–0% |
| 55 | Blanc 3 | 000 ⇔ 255 | Mode RGBW: 0–100% / Mode CMY: 100–0% |
| 56 | Blanc fin 3 | 000 ⇔ 255 | Mode RGBW: 0–100% / Mode CMY: 100–0% |
| 57 | Gradateur 4 | 000 ⇔ 255 | 0–100% |
| 58 | Gradateur fin 4 | 000 ⇔ 255 | 0–100% |
| 59 | Rouge 4 Cyan 4 | 000 ⇔ 255 | Mode RGBW: 0–100% / Mode CMY: 100–0% |
| 60 | Rouge fin 4 Cyan fin 4 | 000 ⇔ 255 | Mode RGBW: 0–100% / Mode CMY: 100–0% |
| 61 | Vert 4 Magenta 4 | 000 ⇔ 255 | Mode RGBW: 0–100% / Mode CMY: 100–0% |
| 62 | Vert fin 4 Magenta fin 4 | 000 ⇔ 255 | Mode RGBW: 0–100% / Mode CMY: 100–0% |
| 63 | Bleu 4 Jaune 4 | 000 ⇔ 255 | Mode RGBW: 0–100% / Mode CMY: 100–0% |
| 64 | Bleu fin 4 Jaune fin 4 | 000 ⇔ 255 | Mode RGBW: 0–100% / Mode CMY: 100–0% |
| 65 | Blanc 4 | 000 ⇔ 255 | Mode RGBW: 0–100% / Mode CMY: 100–0% |
| 66 | Blanc fin 4 | 000 ⇔ 255 | Mode RGBW: 0–100% / Mode CMY: 100–0% |
| 67 | Gradateur 5 | 000 ⇔ 255 | 0–100% |
| 68 | Gradateur fin 5 | 000 ⇔ 255 | 0–100% |
| 69 | Rouge 5 Cyan 5 | 000 ⇔ 255 | Mode RGBW: 0–100% / Mode CMY: 100–0% |
| 70 | Rouge fin 5 Cyan fin 5 | 000 ⇔ 255 | Mode RGBW: 0–100% / Mode CMY: 100–0% |
| 71 | Vert 5 Magenta 5 | 000 ⇔ 255 | Mode RGBW: 0–100% / Mode CMY: 100–0% |
| 72 | Vert fin 5 Magenta fin 5 | 000 ⇔ 255 | Mode RGBW: 0–100% / Mode CMY: 100–0% |
| 73 | Bleu 5 Jaune 5 | 000 ⇔ 255 | Mode RGBW: 0–100% / Mode CMY: 100–0% |
| 74 | Bleu fin 5 Jaune fin 5 | 000 ⇔ 255 | Mode RGBW: 0–100% / Mode CMY: 100–0% |
| 75 | Blanc 5 | 000 ⇔ 255 | Mode RGBW: 0–100% / Mode CMY: 100–0% |
| 76 | Blanc fin 5 | 000 ⇔ 255 | Mode RGBW: 0–100% / Mode CMY: 100–0% |
| 77 | Gradateur 6 | 000 ⇔ 255 | 0–100% |
| 78 | Gradateur fin 6 | 000 ⇔ 255 | 0–100% |
| 79 | Rouge 6 Cyan 6 | 000 ⇔ 255 | Mode RGBW: 0–100% / Mode CMY: 100–0% |
| 80 | Rouge fin 6 Cyan fin 6 | 000 ⇔ 255 | Mode RGBW: 0–100% / Mode CMY: 100–0% |
| 81 | Vert 6 Magenta 6 | 000 ⇔ 255 | Mode RGBW: 0–100% / Mode CMY: 100–0% |
| 82 | Vert fin 6 Magenta fin 6 | 000 ⇔ 255 | Mode RGBW: 0–100% / Mode CMY: 100–0% |
| 83 | Bleu 6 Jaune 6 | 000 ⇔ 255 | Mode RGBW: 0–100% / Mode CMY: 100–0% |
| 84 | Bleu fin 6 Jaune fin 6 | 000 ⇔ 255 | Mode RGBW: 0–100% / Mode CMY: 100–0% |
| 85 | Blanc 6 | 000 ⇔ 255 | Mode RGBW: 0–100% / Mode CMY: 100–0% |
| 86 | Blanc fin 6 | 000 ⇔ 255 | Mode RGBW: 0–100% / Mode CMY: 100–0% |
| 87 | Gradateur 7 | 000 ⇔ 255 | 0–100% |
| 88 | Gradateur fin 7 | 000 ⇔ 255 | 0–100% |
| 89 | Rouge 7 Cyan 7 | 000 ⇔ 255 | Mode RGBW: 0–100% / Mode CMY: 100–0% |
| 90 | Rouge fin 7 Cyan fin 7 | 000 ⇔ 255 | Mode RGBW: 0–100% / Mode CMY: 100–0% |
| 91 | Vert 7 Magenta 7 | 000 ⇔ 255 | Mode RGBW: 0–100% / Mode CMY: 100–0% |
| 92 | Vert fin 7 Magenta fin 7 | 000 ⇔ 255 | Mode RGBW: 0–100% / Mode CMY: 100–0% |
| 93 | Bleu 7 Jaune 7 | 000 ⇔ 255 | Mode RGBW: 0–100% / Mode CMY: 100–0% |
| 94 | Bleu fin 7 Jaune fin 7 | 000 ⇔ 255 | Mode RGBW: 0–100% / Mode CMY: 100–0% |
| 95 | Blanc 7 | 000 ⇔ 255 | Mode RGBW: 0–100% / Mode CMY: 100–0% |
| 96 | Blanc fin 7 | 000 ⇔ 255 | Mode RGBW: 0–100% / Mode CMY: 100–0% |

| Canal | Fonction | Valeur | Pourcentage/Paramétrage |
|-------|---------------------------------|-----------|--------------------------------------|
| 97 | Gradateur 8 | 000 ⇔ 255 | 0–100% |
| 98 | Gradateur fin 8 | 000 ⇔ 255 | 0–100% |
| 99 | Rouge 8 Cyan 8 | 000 ⇔ 255 | Mode RGBW: 0–100% / Mode CMY: 100–0% |
| 100 | Rouge fin 8 Cyan fin 8 | 000 ⇔ 255 | Mode RGBW: 0–100% / Mode CMY: 100–0% |
| 101 | Vert 8 Magenta 8 | 000 ⇔ 255 | Mode RGBW: 0–100% / Mode CMY: 100–0% |
| 102 | Vert fin 8 Magenta fin 8 | 000 ⇔ 255 | Mode RGBW: 0–100% / Mode CMY: 100–0% |
| 103 | Bleu 8 Jaune 8 | 000 ⇔ 255 | Mode RGBW: 0–100% / Mode CMY: 100–0% |
| 104 | Bleu fin 8 Jaune fin 8 | 000 ⇔ 255 | Mode RGBW: 0–100% / Mode CMY: 100–0% |
| 105 | Blanc 8 | 000 ⇔ 255 | Mode RGBW: 0–100% / Mode CMY: 100–0% |
| 106 | Blanc fin 8 | 000 ⇔ 255 | Mode RGBW: 0–100% / Mode CMY: 100–0% |
| 107 | Gradateur 9 | 000 ⇔ 255 | 0–100% |
| 108 | Gradateur fin 9 | 000 ⇔ 255 | 0–100% |
| 109 | Rouge 9 Cyan 9 | 000 ⇔ 255 | Mode RGBW: 0–100% / Mode CMY: 100–0% |
| 110 | Rouge fin 9 Cyan fin 9 | 000 ⇔ 255 | Mode RGBW: 0–100% / Mode CMY: 100–0% |
| 111 | Vert 9 Magenta 9 | 000 ⇔ 255 | Mode RGBW: 0–100% / Mode CMY: 100–0% |
| 112 | Vert fin 9 Magenta fin 9 | 000 ⇔ 255 | Mode RGBW: 0–100% / Mode CMY: 100–0% |
| 113 | Bleu 9 Jaune 9 | 000 ⇔ 255 | Mode RGBW: 0–100% / Mode CMY: 100–0% |
| 114 | Bleu fin 9 Jaune fin 9 | 000 ⇔ 255 | Mode RGBW: 0–100% / Mode CMY: 100–0% |
| 115 | Blanc 9 | 000 ⇔ 255 | Mode RGBW: 0–100% / Mode CMY: 100–0% |
| 116 | Blanc fin 9 | 000 ⇔ 255 | Mode RGBW: 0–100% / Mode CMY: 100–0% |
| 117 | Gradateur 10 | 000 ⇔ 255 | 0–100% |
| 118 | Gradateur fin 10 | 000 ⇔ 255 | 0–100% |
| 119 | Rouge 10 Cyan 10 | 000 ⇔ 255 | Mode RGBW: 0–100% / Mode CMY: 100–0% |
| 120 | Rouge fin 10 Cyan fin 10 | 000 ⇔ 255 | Mode RGBW: 0–100% / Mode CMY: 100–0% |
| 121 | Vert 10 Magenta 10 | 000 ⇔ 255 | Mode RGBW: 0–100% / Mode CMY: 100–0% |
| 122 | Vert fin 10 Magenta fin 10 | 000 ⇔ 255 | Mode RGBW: 0–100% / Mode CMY: 100–0% |
| 123 | Bleu 10 Jaune 10 | 000 ⇔ 255 | Mode RGBW: 0–100% / Mode CMY: 100–0% |
| 124 | Bleu fin 10 Jaune fin 10 | 000 ⇔ 255 | Mode RGBW: 0–100% / Mode CMY: 100–0% |
| 125 | Blanc 10 | 000 ⇔ 255 | Mode RGBW: 0–100% / Mode CMY: 100–0% |
| 126 | Blanc fin 10 | 000 ⇔ 255 | Mode RGBW: 0–100% / Mode CMY: 100–0% |
| 127 | Gradateur 11 | 000 ⇔ 255 | 0–100% |
| 128 | Gradateur fin 11 | 000 ⇔ 255 | 0–100% |
| 129 | Rouge 11 Cyan 11 | 000 ⇔ 255 | Mode RGBW: 0–100% / Mode CMY: 100–0% |
| 130 | Rouge fin 11 Cyan fin 11 | 000 ⇔ 255 | Mode RGBW: 0–100% / Mode CMY: 100–0% |
| 131 | Vert 11 Magenta 11 | 000 ⇔ 255 | Mode RGBW: 0–100% / Mode CMY: 100–0% |
| 132 | Vert fin 11 Magenta fin 11 | 000 ⇔ 255 | Mode RGBW: 0–100% / Mode CMY: 100–0% |
| 133 | Bleu 11 Jaune 11 | 000 ⇔ 255 | Mode RGBW: 0–100% / Mode CMY: 100–0% |
| 134 | Bleu fin 11 Jaune fin 11 | 000 ⇔ 255 | Mode RGBW: 0–100% / Mode CMY: 100–0% |
| 135 | Blanc 11 | 000 ⇔ 255 | Mode RGBW: 0–100% / Mode CMY: 100–0% |
| 136 | Blanc fin 11 | 000 ⇔ 255 | Mode RGBW: 0–100% / Mode CMY: 100–0% |
| 137 | Gradateur 12 | 000 ⇔ 255 | 0–100% |
| 138 | Gradateur fin 12 | 000 ⇔ 255 | 0–100% |
| 139 | Rouge 12 Cyan 12 | 000 ⇔ 255 | Mode RGBW: 0–100% / Mode CMY: 100–0% |
| 140 | Rouge fin 12 Cyan fin 12 | 000 ⇔ 255 | Mode RGBW: 0–100% / Mode CMY: 100–0% |
| 141 | Vert 12 Magenta 12 | 000 ⇔ 255 | Mode RGBW: 0–100% / Mode CMY: 100–0% |
| 142 | Vert fin 12 Magenta fin 12 | 000 ⇔ 255 | Mode RGBW: 0–100% / Mode CMY: 100–0% |
| 143 | Bleu 12 Jaune 12 | 000 ⇔ 255 | Mode RGBW: 0–100% / Mode CMY: 100–0% |
| 144 | Bleu fin 12 Jaune fin 12 | 000 ⇔ 255 | Mode RGBW: 0–100% / Mode CMY: 100–0% |
| 145 | Blanc 12 | 000 ⇔ 255 | Mode RGBW: 0–100% / Mode CMY: 100–0% |
| 146 | Blanc fin 12 | 000 ⇔ 255 | Mode RGBW: 0–100% / Mode CMY: 100–0% |

| Canal | Fonction | Valeur | Pourcentage/Paramétrage |
|-------|--|-----------|--------------------------------------|
| 147 | Gradateur 13 | 000 ⇔ 255 | 0–100% |
| 148 | Gradateur fin 13 | 000 ⇔ 255 | 0–100% |
| 149 | Rouge 13 Cyan 13 | 000 ⇔ 255 | Mode RGBW: 0–100% / Mode CMY: 100–0% |
| 150 | Rouge fin 13 Cyan fin 13 | 000 ⇔ 255 | Mode RGBW: 0–100% / Mode CMY: 100–0% |
| 151 | Vert 13 Magenta 13 | 000 ⇔ 255 | Mode RGBW: 0–100% / Mode CMY: 100–0% |
| 152 | Vert fin 13 Magenta fin 13 | 000 ⇔ 255 | Mode RGBW: 0–100% / Mode CMY: 100–0% |
| 153 | Bleu 13 Jaune 13 | 000 ⇔ 255 | Mode RGBW: 0–100% / Mode CMY: 100–0% |
| 154 | Bleu fin 13 Jaune fin 13 | 000 ⇔ 255 | Mode RGBW: 0–100% / Mode CMY: 100–0% |
| 155 | Blanc 13 | 000 ⇔ 255 | Mode RGBW: 0–100% / Mode CMY: 100–0% |
| 156 | Blanc fin 13 | 000 ⇔ 255 | Mode RGBW: 0–100% / Mode CMY: 100–0% |
| 157 | Gradateur 14 | 000 ⇔ 255 | 0–100% |
| 158 | Gradateur fin 14 | 000 ⇔ 255 | 0–100% |
| 159 | Rouge 14 Cyan 14 | 000 ⇔ 255 | Mode RGBW: 0–100% / Mode CMY: 100–0% |
| 160 | Rouge fin 14 Cyan fin 14 | 000 ⇔ 255 | Mode RGBW: 0–100% / Mode CMY: 100–0% |
| 161 | Vert 14 Magenta 14 | 000 ⇔ 255 | Mode RGBW: 0–100% / Mode CMY: 100–0% |
| 162 | Vert fin 14 Magenta fin 14 | 000 ⇔ 255 | Mode RGBW: 0–100% / Mode CMY: 100–0% |
| 163 | Bleu 14 Jaune 14 | 000 ⇔ 255 | Mode RGBW: 0–100% / Mode CMY: 100–0% |
| 164 | Bleu fin 14 Jaune fin 14 | 000 ⇔ 255 | Mode RGBW: 0–100% / Mode CMY: 100–0% |
| 165 | Blanc 14 | 000 ⇔ 255 | Mode RGBW: 0–100% / Mode CMY: 100–0% |
| 166 | Blanc fin 14 | 000 ⇔ 255 | Mode RGBW: 0–100% / Mode CMY: 100–0% |
| 167 | Gradateur 15 | 000 ⇔ 255 | 0–100% |
| 168 | Gradateur fin 15 | 000 ⇔ 255 | 0–100% |
| 169 | Rouge 15 Cyan 15 | 000 ⇔ 255 | Mode RGBW: 0–100% / Mode CMY: 100–0% |
| 170 | Rouge fin 15 Cyan fin 15 | 000 ⇔ 255 | Mode RGBW: 0–100% / Mode CMY: 100–0% |
| 171 | Vert 15 Magenta 15 | 000 ⇔ 255 | Mode RGBW: 0–100% / Mode CMY: 100–0% |
| 172 | Vert fin 15 Magenta fin 15 | 000 ⇔ 255 | Mode RGBW: 0–100% / Mode CMY: 100–0% |
| 173 | Bleu 15 Jaune 15 | 000 ⇔ 255 | Mode RGBW: 0–100% / Mode CMY: 100–0% |
| 174 | Bleu fin 15 Jaune fin 15 | 000 ⇔ 255 | Mode RGBW: 0–100% / Mode CMY: 100–0% |
| 175 | Blanc 15 | 000 ⇔ 255 | Mode RGBW: 0–100% / Mode CMY: 100–0% |
| 176 | Blanc fin 15 | 000 ⇔ 255 | Mode RGBW: 0–100% / Mode CMY: 100–0% |
| 177 | Gradateur 16 | 000 ⇔ 255 | 0–100% |
| 178 | Gradateur fin 16 | 000 ⇔ 255 | 0–100% |
| 179 | Rouge 16 Cyan 16 | 000 ⇔ 255 | Mode RGBW: 0–100% / Mode CMY: 100–0% |
| 180 | Rouge fin 16 Cyan fin 16 | 000 ⇔ 255 | Mode RGBW: 0–100% / Mode CMY: 100–0% |
| 181 | Vert 16 Magenta 16 | 000 ⇔ 255 | Mode RGBW: 0–100% / Mode CMY: 100–0% |
| 182 | Vert fin 16 Magenta fin 16 | 000 ⇔ 255 | Mode RGBW: 0–100% / Mode CMY: 100–0% |
| 183 | Bleu 16 Jaune 16 | 000 ⇔ 255 | Mode RGBW: 0–100% / Mode CMY: 100–0% |
| 184 | Bleu fin 16 Jaune fin 16 | 000 ⇔ 255 | Mode RGBW: 0–100% / Mode CMY: 100–0% |
| 185 | Blanc 16 | 000 ⇔ 255 | Mode RGBW: 0–100% / Mode CMY: 100–0% |
| 186 | Blanc fin 16 | 000 ⇔ 255 | Mode RGBW: 0–100% / Mode CMY: 100–0% |

Single Control: Mode « Advanced » (154CH)

| Canal | Fonction | Valeur | Pourcentage/Paramétrage |
|-------|--|---------------|---|
| 1 | Inclinaison | 000 ⇔ 255 | 0–100% |
| 2 | Inclinaison fin | 000 ⇔ 255 | 0–100% |
| 3 | Vitesse d'inclinaison | 000 ⇔ 255 | 0–100% |
| 4 | CTC | 000 | Pas de fonction |
| | | 001 ⇔ 255 | Température de couleur, 1900–2700 K |
| 5 | Couleur | 000 ⇔ 255 | voir Charte de couleurs |
| 6 | Motifs (voir Motifs) | 000 | Pas de fonction |
| | | 001 ⇔ 255 | Motif 1–255 |
| 7 | Macro LED | 000 ⇔ 255 | voir Macro LED |
| 8 | Vitesse pour macro LED | 000 ⇔ 127 | Rapide à lent, sens horaire |
| | | 128 | Attente |
| | | 129 ⇔ 255 | Lent à rapide, dans le sens antihoraire |
| 9 | Décalage interne LED | 000 ⇔ 255 | Rapide à lent |
| 10 | Couleur de l'arrière plan | 000 ⇔ 255 | voir Charte de couleurs |
| 11 | Gradateur de l'arrière plan | 000 ⇔ 255 | 0–100% |
| 12 | Gradateur fin de l'arrière plan | 000 ⇔ 255 | 0–100% |
| 13 | Gradateur | 000 ⇔ 255 | 0–100% |
| 14 | Gradateur fin | 000 ⇔ 255 | 0–100% |
| 15 | Obturateur | 000 ⇔ 255 | voir Paramètres obturateur |
| 16 | Zoom 1 (voir Zones de zoom) | 000 ⇔ 255 | Large à étroit (Zone 1) |
| 17 | Zoom 2 (voir Zones de zoom) | 000 ⇔ 255 | Large à étroit (Zone 2) |
| 18 | Contrôle | 000 ⇔ 255 | voir Paramètres de contrôle |
| 19 | Rouge principal | 000 ⇔ 255 | Mode RGBW: 0–100% / Mode CMY: 100–0% |
| 20 | Rouge fin principal | 000 ⇔ 255 | Mode RGBW: 0–100% / Mode CMY: 100–0% |
| 21 | Vert principal | 000 ⇔ 255 | Mode RGBW: 0–100% / Mode CMY: 100–0% |
| 22 | Vert fin principal | 000 ⇔ 255 | Mode RGBW: 0–100% / Mode CMY: 100–0% |
| 23 | Bleu principal | 000 ⇔ 255 | Mode RGBW: 0–100% / Mode CMY: 100–0% |
| 24 | Bleu fin principal | 000 ⇔ 255 | Mode RGBW: 0–100% / Mode CMY: 100–0% |
| 25 | Blanc principal | 000 ⇔ 255 | Mode RGBW: 0–100% / Mode CMY: 100–0% |
| 26 | Blanc fin principal | 000 ⇔ 255 | Mode RGBW: 0–100% / Mode CMY: 100–0% |
| 27 | Rouge 1 | Cyan 1 | 000 ⇔ 255 |
| 28 | Rouge fin 1 | Cyan fin 1 | 000 ⇔ 255 |
| 29 | Vert 1 | Magenta 1 | 000 ⇔ 255 |
| 30 | Vert fin 1 | Magenta fin 1 | 000 ⇔ 255 |
| 31 | Bleu 1 | Jaune 1 | 000 ⇔ 255 |
| 32 | Bleu fin 1 | Jaune fin 1 | 000 ⇔ 255 |
| 33 | Blanc 1 | | 000 ⇔ 255 |
| 34 | Blanc fin 1 | | 000 ⇔ 255 |
| 35 | Rouge 2 | Cyan 2 | 000 ⇔ 255 |
| 36 | Rouge fin 2 | Cyan fin 2 | 000 ⇔ 255 |
| 37 | Vert 2 | Magenta 2 | 000 ⇔ 255 |
| 38 | Vert fin 2 | Magenta fin 2 | 000 ⇔ 255 |
| 39 | Bleu 2 | Jaune 2 | 000 ⇔ 255 |
| 40 | Bleu fin 2 | Jaune fin 2 | 000 ⇔ 255 |
| 41 | Blanc 2 | | 000 ⇔ 255 |
| 42 | Blanc fin 2 | | 000 ⇔ 255 |
| 43 | Rouge 3 | Cyan 3 | 000 ⇔ 255 |
| 44 | Rouge fin 3 | Cyan fin 3 | 000 ⇔ 255 |
| 45 | Vert 3 | Magenta 3 | 000 ⇔ 255 |
| 46 | Vert fin 3 | Magenta fin 3 | 000 ⇔ 255 |

| Canal | Fonction | | Valeur | Pourcentage/Paramétrage |
|-------|-------------|---------------|-----------|--------------------------------------|
| 47 | Bleu 3 | Jaune 3 | 000 ⇔ 255 | Mode RGBW: 0–100% / Mode CMY: 100–0% |
| 48 | Bleu fin 3 | Jaune fin 3 | 000 ⇔ 255 | Mode RGBW: 0–100% / Mode CMY: 100–0% |
| 49 | Blanc 3 | | 000 ⇔ 255 | Mode RGBW: 0–100% / Mode CMY: 100–0% |
| 50 | Blanc fin 3 | | 000 ⇔ 255 | Mode RGBW: 0–100% / Mode CMY: 100–0% |
| 51 | Rouge 4 | Cyan 4 | 000 ⇔ 255 | Mode RGBW: 0–100% / Mode CMY: 100–0% |
| 52 | Rouge fin 4 | Cyan fin 4 | 000 ⇔ 255 | Mode RGBW: 0–100% / Mode CMY: 100–0% |
| 53 | Vert 4 | Magenta 4 | 000 ⇔ 255 | Mode RGBW: 0–100% / Mode CMY: 100–0% |
| 54 | Vert fin 4 | Magenta fin 4 | 000 ⇔ 255 | Mode RGBW: 0–100% / Mode CMY: 100–0% |
| 55 | Bleu 4 | Jaune 4 | 000 ⇔ 255 | Mode RGBW: 0–100% / Mode CMY: 100–0% |
| 56 | Bleu fin 4 | Jaune fin 4 | 000 ⇔ 255 | Mode RGBW: 0–100% / Mode CMY: 100–0% |
| 57 | Blanc 4 | | 000 ⇔ 255 | Mode RGBW: 0–100% / Mode CMY: 100–0% |
| 58 | Blanc fin 4 | | 000 ⇔ 255 | Mode RGBW: 0–100% / Mode CMY: 100–0% |
| 59 | Rouge 5 | Cyan 5 | 000 ⇔ 255 | Mode RGBW: 0–100% / Mode CMY: 100–0% |
| 60 | Rouge fin 5 | Cyan fin 5 | 000 ⇔ 255 | Mode RGBW: 0–100% / Mode CMY: 100–0% |
| 61 | Vert 5 | Magenta 5 | 000 ⇔ 255 | Mode RGBW: 0–100% / Mode CMY: 100–0% |
| 62 | Vert fin 5 | Magenta fin 5 | 000 ⇔ 255 | Mode RGBW: 0–100% / Mode CMY: 100–0% |
| 63 | Bleu 5 | Jaune 5 | 000 ⇔ 255 | Mode RGBW: 0–100% / Mode CMY: 100–0% |
| 64 | Bleu fin 5 | Jaune fin 5 | 000 ⇔ 255 | Mode RGBW: 0–100% / Mode CMY: 100–0% |
| 65 | Blanc 5 | | 000 ⇔ 255 | Mode RGBW: 0–100% / Mode CMY: 100–0% |
| 66 | Blanc fin 5 | | 000 ⇔ 255 | Mode RGBW: 0–100% / Mode CMY: 100–0% |
| 67 | Rouge 6 | Cyan 6 | 000 ⇔ 255 | Mode RGBW: 0–100% / Mode CMY: 100–0% |
| 68 | Rouge fin 6 | Cyan fin 6 | 000 ⇔ 255 | Mode RGBW: 0–100% / Mode CMY: 100–0% |
| 69 | Vert 6 | Magenta 6 | 000 ⇔ 255 | Mode RGBW: 0–100% / Mode CMY: 100–0% |
| 70 | Vert fin 6 | Magenta fin 6 | 000 ⇔ 255 | Mode RGBW: 0–100% / Mode CMY: 100–0% |
| 71 | Bleu 6 | Jaune 6 | 000 ⇔ 255 | Mode RGBW: 0–100% / Mode CMY: 100–0% |
| 72 | Bleu fin 6 | Jaune fin 6 | 000 ⇔ 255 | Mode RGBW: 0–100% / Mode CMY: 100–0% |
| 73 | Blanc 6 | | 000 ⇔ 255 | Mode RGBW: 0–100% / Mode CMY: 100–0% |
| 74 | Blanc fin 6 | | 000 ⇔ 255 | Mode RGBW: 0–100% / Mode CMY: 100–0% |
| 75 | Rouge 7 | Cyan 7 | 000 ⇔ 255 | Mode RGBW: 0–100% / Mode CMY: 100–0% |
| 76 | Rouge fin 7 | Cyan fin 7 | 000 ⇔ 255 | Mode RGBW: 0–100% / Mode CMY: 100–0% |
| 77 | Vert 7 | Magenta 7 | 000 ⇔ 255 | Mode RGBW: 0–100% / Mode CMY: 100–0% |
| 78 | Vert fin 7 | Magenta fin 7 | 000 ⇔ 255 | Mode RGBW: 0–100% / Mode CMY: 100–0% |
| 79 | Bleu 7 | Jaune 7 | 000 ⇔ 255 | Mode RGBW: 0–100% / Mode CMY: 100–0% |
| 80 | Bleu fin 7 | Jaune fin 7 | 000 ⇔ 255 | Mode RGBW: 0–100% / Mode CMY: 100–0% |
| 81 | Blanc 7 | | 000 ⇔ 255 | Mode RGBW: 0–100% / Mode CMY: 100–0% |
| 82 | Blanc fin 7 | | 000 ⇔ 255 | Mode RGBW: 0–100% / Mode CMY: 100–0% |
| 83 | Rouge 8 | Cyan 8 | 000 ⇔ 255 | Mode RGBW: 0–100% / Mode CMY: 100–0% |
| 84 | Rouge fin 8 | Cyan fin 8 | 000 ⇔ 255 | Mode RGBW: 0–100% / Mode CMY: 100–0% |
| 85 | Vert 8 | Magenta 8 | 000 ⇔ 255 | Mode RGBW: 0–100% / Mode CMY: 100–0% |
| 86 | Vert fin 8 | Magenta fin 8 | 000 ⇔ 255 | Mode RGBW: 0–100% / Mode CMY: 100–0% |
| 87 | Bleu 8 | Jaune 8 | 000 ⇔ 255 | Mode RGBW: 0–100% / Mode CMY: 100–0% |
| 88 | Bleu fin 8 | Jaune fin 8 | 000 ⇔ 255 | Mode RGBW: 0–100% / Mode CMY: 100–0% |
| 89 | Blanc 8 | | 000 ⇔ 255 | Mode RGBW: 0–100% / Mode CMY: 100–0% |
| 90 | Blanc fin 8 | | 000 ⇔ 255 | Mode RGBW: 0–100% / Mode CMY: 100–0% |
| 91 | Rouge 9 | Cyan 9 | 000 ⇔ 255 | Mode RGBW: 0–100% / Mode CMY: 100–0% |
| 92 | Rouge fin 9 | Cyan fin 9 | 000 ⇔ 255 | Mode RGBW: 0–100% / Mode CMY: 100–0% |
| 93 | Vert 9 | Magenta 9 | 000 ⇔ 255 | Mode RGBW: 0–100% / Mode CMY: 100–0% |
| 94 | Vert fin 9 | Magenta fin 9 | 000 ⇔ 255 | Mode RGBW: 0–100% / Mode CMY: 100–0% |
| 95 | Bleu 9 | Jaune 9 | 000 ⇔ 255 | Mode RGBW: 0–100% / Mode CMY: 100–0% |
| 96 | Bleu fin 9 | Jaune fin 9 | 000 ⇔ 255 | Mode RGBW: 0–100% / Mode CMY: 100–0% |
| 97 | Blanc 9 | | 000 ⇔ 255 | Mode RGBW: 0–100% / Mode CMY: 100–0% |

| Canal | Fonction | Valeur | Pourcentage/Paramétrage |
|-------|---------------------------------|-----------|--------------------------------------|
| 98 | Blanc fin 9 | 000 ⇔ 255 | Mode RGBW: 0–100% / Mode CMY: 100–0% |
| 99 | Rouge 10 Cyan 10 | 000 ⇔ 255 | Mode RGBW: 0–100% / Mode CMY: 100–0% |
| 100 | Rouge fin 10 Cyan fin 10 | 000 ⇔ 255 | Mode RGBW: 0–100% / Mode CMY: 100–0% |
| 101 | Vert 10 Magenta 10 | 000 ⇔ 255 | Mode RGBW: 0–100% / Mode CMY: 100–0% |
| 102 | Vert fin 10 Magenta fin 10 | 000 ⇔ 255 | Mode RGBW: 0–100% / Mode CMY: 100–0% |
| 103 | Bleu 10 Jaune 10 | 000 ⇔ 255 | Mode RGBW: 0–100% / Mode CMY: 100–0% |
| 104 | Bleu fin 10 Jaune fin 10 | 000 ⇔ 255 | Mode RGBW: 0–100% / Mode CMY: 100–0% |
| 105 | Blanc 10 | 000 ⇔ 255 | Mode RGBW: 0–100% / Mode CMY: 100–0% |
| 106 | Blanc fin 10 | 000 ⇔ 255 | Mode RGBW: 0–100% / Mode CMY: 100–0% |
| 107 | Rouge 11 Cyan 11 | 000 ⇔ 255 | Mode RGBW: 0–100% / Mode CMY: 100–0% |
| 108 | Rouge fin 11 Cyan fin 11 | 000 ⇔ 255 | Mode RGBW: 0–100% / Mode CMY: 100–0% |
| 109 | Vert 11 Magenta 11 | 000 ⇔ 255 | Mode RGBW: 0–100% / Mode CMY: 100–0% |
| 110 | Vert fin 11 Magenta fin 11 | 000 ⇔ 255 | Mode RGBW: 0–100% / Mode CMY: 100–0% |
| 111 | Bleu 11 Jaune 11 | 000 ⇔ 255 | Mode RGBW: 0–100% / Mode CMY: 100–0% |
| 112 | Bleu fin 11 Jaune fin 11 | 000 ⇔ 255 | Mode RGBW: 0–100% / Mode CMY: 100–0% |
| 113 | Blanc 11 | 000 ⇔ 255 | Mode RGBW: 0–100% / Mode CMY: 100–0% |
| 114 | Blanc fin 11 | 000 ⇔ 255 | Mode RGBW: 0–100% / Mode CMY: 100–0% |
| 115 | Rouge 12 Cyan 12 | 000 ⇔ 255 | Mode RGBW: 0–100% / Mode CMY: 100–0% |
| 116 | Rouge fin 12 Cyan fin 12 | 000 ⇔ 255 | Mode RGBW: 0–100% / Mode CMY: 100–0% |
| 117 | Vert 12 Magenta 12 | 000 ⇔ 255 | Mode RGBW: 0–100% / Mode CMY: 100–0% |
| 118 | Vert fin 12 Magenta fin 12 | 000 ⇔ 255 | Mode RGBW: 0–100% / Mode CMY: 100–0% |
| 119 | Bleu 12 Jaune 12 | 000 ⇔ 255 | Mode RGBW: 0–100% / Mode CMY: 100–0% |
| 120 | Bleu fin 12 Jaune fin 12 | 000 ⇔ 255 | Mode RGBW: 0–100% / Mode CMY: 100–0% |
| 121 | Blanc 12 | 000 ⇔ 255 | Mode RGBW: 0–100% / Mode CMY: 100–0% |
| 122 | Blanc fin 12 | 000 ⇔ 255 | Mode RGBW: 0–100% / Mode CMY: 100–0% |
| 123 | Rouge 13 Cyan 13 | 000 ⇔ 255 | Mode RGBW: 0–100% / Mode CMY: 100–0% |
| 124 | Rouge fin 13 Cyan fin 13 | 000 ⇔ 255 | Mode RGBW: 0–100% / Mode CMY: 100–0% |
| 125 | Vert 13 Magenta 13 | 000 ⇔ 255 | Mode RGBW: 0–100% / Mode CMY: 100–0% |
| 126 | Vert fin 13 Magenta fin 13 | 000 ⇔ 255 | Mode RGBW: 0–100% / Mode CMY: 100–0% |
| 127 | Bleu 13 Jaune 13 | 000 ⇔ 255 | Mode RGBW: 0–100% / Mode CMY: 100–0% |
| 128 | Bleu fin 13 Jaune fin 13 | 000 ⇔ 255 | Mode RGBW: 0–100% / Mode CMY: 100–0% |
| 129 | Blanc 13 | 000 ⇔ 255 | Mode RGBW: 0–100% / Mode CMY: 100–0% |
| 130 | Blanc fin 13 | 000 ⇔ 255 | Mode RGBW: 0–100% / Mode CMY: 100–0% |
| 131 | Rouge 14 Cyan 14 | 000 ⇔ 255 | Mode RGBW: 0–100% / Mode CMY: 100–0% |
| 132 | Rouge fin 14 Cyan fin 14 | 000 ⇔ 255 | Mode RGBW: 0–100% / Mode CMY: 100–0% |
| 133 | Vert 14 Magenta 14 | 000 ⇔ 255 | Mode RGBW: 0–100% / Mode CMY: 100–0% |
| 134 | Vert fin 14 Magenta fin 14 | 000 ⇔ 255 | Mode RGBW: 0–100% / Mode CMY: 100–0% |
| 135 | Bleu 14 Jaune 14 | 000 ⇔ 255 | Mode RGBW: 0–100% / Mode CMY: 100–0% |
| 136 | Bleu fin 14 Jaune fin 14 | 000 ⇔ 255 | Mode RGBW: 0–100% / Mode CMY: 100–0% |
| 137 | Blanc 14 | 000 ⇔ 255 | Mode RGBW: 0–100% / Mode CMY: 100–0% |
| 138 | Blanc fin 14 | 000 ⇔ 255 | Mode RGBW: 0–100% / Mode CMY: 100–0% |
| 139 | Rouge 15 Cyan 15 | 000 ⇔ 255 | Mode RGBW: 0–100% / Mode CMY: 100–0% |
| 140 | Rouge fin 15 Cyan fin 15 | 000 ⇔ 255 | Mode RGBW: 0–100% / Mode CMY: 100–0% |
| 141 | Vert 15 Magenta 15 | 000 ⇔ 255 | Mode RGBW: 0–100% / Mode CMY: 100–0% |
| 142 | Vert fin 15 Magenta fin 15 | 000 ⇔ 255 | Mode RGBW: 0–100% / Mode CMY: 100–0% |
| 143 | Bleu 15 Jaune 15 | 000 ⇔ 255 | Mode RGBW: 0–100% / Mode CMY: 100–0% |
| 144 | Bleu fin 15 Jaune fin 15 | 000 ⇔ 255 | Mode RGBW: 0–100% / Mode CMY: 100–0% |
| 145 | Blanc 15 | 000 ⇔ 255 | Mode RGBW: 0–100% / Mode CMY: 100–0% |
| 146 | Blanc fin 15 | 000 ⇔ 255 | Mode RGBW: 0–100% / Mode CMY: 100–0% |
| 147 | Rouge 16 Cyan 16 | 000 ⇔ 255 | Mode RGBW: 0–100% / Mode CMY: 100–0% |
| 148 | Rouge fin 16 Cyan fin 16 | 000 ⇔ 255 | Mode RGBW: 0–100% / Mode CMY: 100–0% |

| Canal | Fonction | Valeur | Pourcentage/Paramétrage |
|-------|---------------------------------|-----------|--------------------------------------|
| 149 | Vert 16 Magenta 16 | 000 ⇔ 255 | Mode RGBW: 0–100% / Mode CMY: 100–0% |
| 150 | Vert fin 16 Magenta fin 16 | 000 ⇔ 255 | Mode RGBW: 0–100% / Mode CMY: 100–0% |
| 151 | Bleu 16 Jaune 16 | 000 ⇔ 255 | Mode RGBW: 0–100% / Mode CMY: 100–0% |
| 152 | Bleu fin 16 Jaune fin 16 | 000 ⇔ 255 | Mode RGBW: 0–100% / Mode CMY: 100–0% |
| 153 | Blanc 16 | 000 ⇔ 255 | Mode RGBW: 0–100% / Mode CMY: 100–0% |
| 154 | Blanc fin 16 | 000 ⇔ 255 | Mode RGBW: 0–100% / Mode CMY: 100–0% |

Single Control: Mode « Standard » (84CH)

| Canal | Fonction | Valeur | Pourcentage/Paramétrage |
|-------|--|-----------|---|
| 1 | Inclinaison | 000 ⇔ 255 | 0–100% |
| 2 | Inclinaison fin | 000 ⇔ 255 | 0–100% |
| 3 | Vitesse d'inclinaison | 000 ⇔ 255 | 0–100% |
| 4 | CTC | 000 | Pas de fonction |
| | | 001 ⇔ 255 | Température de couleur, 1900–2700 K |
| 5 | Couleur | 000 ⇔ 255 | voir Charte de couleurs |
| 6 | Motifs (voir Motifs) | 000 | Pas de fonction |
| | | 001 ⇔ 255 | Motif 1–255 |
| 7 | Macro LED | 000 ⇔ 255 | voir Macro LED |
| 8 | Vitesse pour macro LED | 000 ⇔ 127 | Rapide à lent, sens horaire |
| | | 128 | Attente |
| | | 129 ⇔ 255 | Lent à rapide, dans le sens antihoraire |
| 9 | Décalage interne LED | 000 ⇔ 255 | Rapide à lent |
| 10 | Couleur de l'arrière plan | 000 ⇔ 255 | voir Charte de couleurs |
| 11 | Gradateur de l'arrière plan | 000 ⇔ 255 | 0–100% |
| 12 | Gradateur | 000 ⇔ 255 | 0–100% |
| 13 | Obturateur | 000 ⇔ 255 | voir Paramètres obturateur |
| 14 | Zoom 1 (voir Zones de zoom) | 000 ⇔ 255 | Large à étroit (Zone 1) |
| 15 | Zoom 2 (voir Zones de zoom) | 000 ⇔ 255 | Large à étroit (Zone 2) |
| 16 | Contrôle | 000 ⇔ 255 | voir Paramètres de contrôle |
| 17 | Rouge principal | 000 ⇔ 255 | Mode RGBW: 0–100% / Mode CMY: 100–0% |
| 18 | Vert principal | 000 ⇔ 255 | Mode RGBW: 0–100% / Mode CMY: 100–0% |
| 19 | Bleu principal | 000 ⇔ 255 | Mode RGBW: 0–100% / Mode CMY: 100–0% |
| 20 | Blanc principal | 000 ⇔ 255 | Mode RGBW: 0–100% / Mode CMY: 100–0% |
| 21 | Rouge 1 Cyan 1 | 000 ⇔ 255 | Mode RGBW: 0–100% / Mode CMY: 100–0% |
| 22 | Vert 1 Magenta 1 | 000 ⇔ 255 | Mode RGBW: 0–100% / Mode CMY: 100–0% |
| 23 | Bleu 1 Jaune 1 | 000 ⇔ 255 | Mode RGBW: 0–100% / Mode CMY: 100–0% |
| 24 | Blanc 1 | 000 ⇔ 255 | Mode RGBW: 0–100% / Mode CMY: 100–0% |
| 25 | Rouge 2 Cyan 2 | 000 ⇔ 255 | Mode RGBW: 0–100% / Mode CMY: 100–0% |
| 26 | Vert 2 Magenta 2 | 000 ⇔ 255 | Mode RGBW: 0–100% / Mode CMY: 100–0% |
| 27 | Bleu 2 Jaune 2 | 000 ⇔ 255 | Mode RGBW: 0–100% / Mode CMY: 100–0% |
| 28 | Blanc 2 | 000 ⇔ 255 | Mode RGBW: 0–100% / Mode CMY: 100–0% |
| 29 | Rouge 3 Cyan 3 | 000 ⇔ 255 | Mode RGBW: 0–100% / Mode CMY: 100–0% |
| 30 | Vert 3 Magenta 3 | 000 ⇔ 255 | Mode RGBW: 0–100% / Mode CMY: 100–0% |
| 31 | Bleu 3 Jaune 3 | 000 ⇔ 255 | Mode RGBW: 0–100% / Mode CMY: 100–0% |
| 32 | Blanc 3 | 000 ⇔ 255 | Mode RGBW: 0–100% / Mode CMY: 100–0% |
| 33 | Rouge 4 Cyan 4 | 000 ⇔ 255 | Mode RGBW: 0–100% / Mode CMY: 100–0% |
| 34 | Vert 4 Magenta 4 | 000 ⇔ 255 | Mode RGBW: 0–100% / Mode CMY: 100–0% |
| 35 | Bleu 4 Jaune 4 | 000 ⇔ 255 | Mode RGBW: 0–100% / Mode CMY: 100–0% |
| 36 | Blanc 4 | 000 ⇔ 255 | Mode RGBW: 0–100% / Mode CMY: 100–0% |

| Canal | Fonction | | Valeur | Pourcentage/Paramétrage |
|-------|----------|------------|-----------|--------------------------------------|
| 37 | Rouge 5 | Cyan 5 | 000 ⇔ 255 | Mode RGBW: 0–100% / Mode CMY: 100–0% |
| 38 | Vert 5 | Magenta 5 | 000 ⇔ 255 | Mode RGBW: 0–100% / Mode CMY: 100–0% |
| 39 | Bleu 5 | Jaune 5 | 000 ⇔ 255 | Mode RGBW: 0–100% / Mode CMY: 100–0% |
| 40 | Blanc 5 | | 000 ⇔ 255 | Mode RGBW: 0–100% / Mode CMY: 100–0% |
| 41 | Rouge 6 | Cyan 6 | 000 ⇔ 255 | Mode RGBW: 0–100% / Mode CMY: 100–0% |
| 42 | Vert 6 | Magenta 6 | 000 ⇔ 255 | Mode RGBW: 0–100% / Mode CMY: 100–0% |
| 43 | Bleu 6 | Jaune 6 | 000 ⇔ 255 | Mode RGBW: 0–100% / Mode CMY: 100–0% |
| 44 | Blanc 6 | | 000 ⇔ 255 | Mode RGBW: 0–100% / Mode CMY: 100–0% |
| 45 | Rouge 7 | Cyan 7 | 000 ⇔ 255 | Mode RGBW: 0–100% / Mode CMY: 100–0% |
| 46 | Vert 7 | Magenta 7 | 000 ⇔ 255 | Mode RGBW: 0–100% / Mode CMY: 100–0% |
| 47 | Bleu 7 | Jaune 7 | 000 ⇔ 255 | Mode RGBW: 0–100% / Mode CMY: 100–0% |
| 48 | Blanc 7 | | 000 ⇔ 255 | Mode RGBW: 0–100% / Mode CMY: 100–0% |
| 49 | Rouge 8 | Cyan 8 | 000 ⇔ 255 | Mode RGBW: 0–100% / Mode CMY: 100–0% |
| 50 | Vert 8 | Magenta 8 | 000 ⇔ 255 | Mode RGBW: 0–100% / Mode CMY: 100–0% |
| 51 | Bleu 8 | Jaune 8 | 000 ⇔ 255 | Mode RGBW: 0–100% / Mode CMY: 100–0% |
| 52 | Blanc 8 | | 000 ⇔ 255 | Mode RGBW: 0–100% / Mode CMY: 100–0% |
| 53 | Rouge 9 | Cyan 9 | 000 ⇔ 255 | Mode RGBW: 0–100% / Mode CMY: 100–0% |
| 54 | Vert 9 | Magenta 9 | 000 ⇔ 255 | Mode RGBW: 0–100% / Mode CMY: 100–0% |
| 55 | Bleu 9 | Jaune 9 | 000 ⇔ 255 | Mode RGBW: 0–100% / Mode CMY: 100–0% |
| 56 | Blanc 9 | | 000 ⇔ 255 | Mode RGBW: 0–100% / Mode CMY: 100–0% |
| 57 | Rouge 10 | Cyan 10 | 000 ⇔ 255 | Mode RGBW: 0–100% / Mode CMY: 100–0% |
| 58 | Vert 10 | Magenta 10 | 000 ⇔ 255 | Mode RGBW: 0–100% / Mode CMY: 100–0% |
| 59 | Bleu 10 | Jaune 10 | 000 ⇔ 255 | Mode RGBW: 0–100% / Mode CMY: 100–0% |
| 60 | Blanc 10 | | 000 ⇔ 255 | Mode RGBW: 0–100% / Mode CMY: 100–0% |
| 61 | Rouge 11 | Cyan 11 | 000 ⇔ 255 | Mode RGBW: 0–100% / Mode CMY: 100–0% |
| 62 | Vert 11 | Magenta 11 | 000 ⇔ 255 | Mode RGBW: 0–100% / Mode CMY: 100–0% |
| 63 | Bleu 11 | Jaune 11 | 000 ⇔ 255 | Mode RGBW: 0–100% / Mode CMY: 100–0% |
| 64 | Blanc 11 | | 000 ⇔ 255 | Mode RGBW: 0–100% / Mode CMY: 100–0% |
| 65 | Rouge 12 | Cyan 12 | 000 ⇔ 255 | Mode RGBW: 0–100% / Mode CMY: 100–0% |
| 66 | Vert 12 | Magenta 12 | 000 ⇔ 255 | Mode RGBW: 0–100% / Mode CMY: 100–0% |
| 67 | Bleu 12 | Jaune 12 | 000 ⇔ 255 | Mode RGBW: 0–100% / Mode CMY: 100–0% |
| 68 | Blanc 12 | | 000 ⇔ 255 | Mode RGBW: 0–100% / Mode CMY: 100–0% |
| 69 | Rouge 13 | Cyan 13 | 000 ⇔ 255 | Mode RGBW: 0–100% / Mode CMY: 100–0% |
| 70 | Vert 13 | Magenta 13 | 000 ⇔ 255 | Mode RGBW: 0–100% / Mode CMY: 100–0% |
| 71 | Bleu 13 | Jaune 13 | 000 ⇔ 255 | Mode RGBW: 0–100% / Mode CMY: 100–0% |
| 72 | Blanc 13 | | 000 ⇔ 255 | Mode RGBW: 0–100% / Mode CMY: 100–0% |
| 73 | Rouge 14 | Cyan 14 | 000 ⇔ 255 | Mode RGBW: 0–100% / Mode CMY: 100–0% |
| 74 | Vert 14 | Magenta 14 | 000 ⇔ 255 | Mode RGBW: 0–100% / Mode CMY: 100–0% |
| 75 | Bleu 14 | Jaune 14 | 000 ⇔ 255 | Mode RGBW: 0–100% / Mode CMY: 100–0% |
| 76 | Blanc 14 | | 000 ⇔ 255 | Mode RGBW: 0–100% / Mode CMY: 100–0% |
| 77 | Rouge 15 | Cyan 15 | 000 ⇔ 255 | Mode RGBW: 0–100% / Mode CMY: 100–0% |
| 78 | Vert 15 | Magenta 15 | 000 ⇔ 255 | Mode RGBW: 0–100% / Mode CMY: 100–0% |
| 79 | Bleu 15 | Jaune 15 | 000 ⇔ 255 | Mode RGBW: 0–100% / Mode CMY: 100–0% |
| 80 | Blanc 15 | | 000 ⇔ 255 | Mode RGBW: 0–100% / Mode CMY: 100–0% |
| 81 | Rouge 16 | Cyan 16 | 000 ⇔ 255 | Mode RGBW: 0–100% / Mode CMY: 100–0% |
| 82 | Vert 16 | Magenta 16 | 000 ⇔ 255 | Mode RGBW: 0–100% / Mode CMY: 100–0% |
| 83 | Bleu 16 | Jaune 16 | 000 ⇔ 255 | Mode RGBW: 0–100% / Mode CMY: 100–0% |
| 84 | Blanc 16 | | 000 ⇔ 255 | Mode RGBW: 0–100% / Mode CMY: 100–0% |

Single Control: Mode « Basic » (20CH)

| Canal | Fonction | Valeur | Pourcentage/Paramétrage |
|-------|--|-----------|---|
| 1 | Inclinaison | 000 ⇔ 255 | 0–100% |
| 2 | Inclinaison fin | 000 ⇔ 255 | 0–100% |
| 3 | Vitesse d'inclinaison | 000 ⇔ 255 | 0–100% |
| 4 | CTC | 000 | Pas de fonction |
| | | 001 ⇔ 255 | Température de couleur, 1900–2700 K |
| 5 | Couleur | 000 ⇔ 255 | voir Charte de couleurs |
| 6 | Motifs (voir Motifs) | 000 | Pas de fonction |
| | | 001 ⇔ 255 | Motif 1–255 |
| 7 | Macro LED | 000 ⇔ 255 | voir Macro LED |
| 8 | Vitesse pour macro LED | 000 ⇔ 127 | Rapide à lent, sens horaire |
| | | 128 | Attente |
| | | 129 ⇔ 255 | Lent à rapide, dans le sens antihoraire |
| 9 | Décalage interne LED | 000 ⇔ 255 | Rapide à lent |
| 10 | Couleur de l'arrière plan | 000 ⇔ 255 | voir Charte de couleurs |
| 11 | Gradateur de l'arrière plan | 000 ⇔ 255 | 0–100% |
| 12 | Gradateur | 000 ⇔ 255 | 0–100% |
| 13 | Obturateur | 000 ⇔ 255 | voir Paramètres obturateur |
| 14 | Zoom 1 (voir Zones de zoom) | 000 ⇔ 255 | Large à étroit (Zone 1) |
| 15 | Zoom 2 (voir Zones de zoom) | 000 ⇔ 255 | Large à étroit (Zone 2) |
| 16 | Contrôle | 000 ⇔ 255 | voir Paramètres de contrôle |
| 17 | Rouge | 000 ⇔ 255 | Mode RGBW: 0–100% / Mode CMY: 100–0% |
| 18 | Vert | 000 ⇔ 255 | Mode RGBW: 0–100% / Mode CMY: 100–0% |
| 19 | Bleu | 000 ⇔ 255 | Mode RGBW: 0–100% / Mode CMY: 100–0% |
| 20 | Blanc | 000 ⇔ 255 | Mode RGBW: 0–100% / Mode CMY: 100–0% |

Dual Control Movement: Mode « Advanced » (26CH)

| Canal | Fonction | Valeur | Pourcentage/Paramétrage |
|-------|--|-----------|---|
| 1 | Inclinaison | 000 ⇔ 255 | 0–100% |
| 2 | Inclinaison fin | 000 ⇔ 255 | 0–100% |
| 3 | Vitesse d'inclinaison | 000 ⇔ 255 | 0–100% |
| 4 | CTC | 000 | Pas de fonction |
| | | 001 ⇔ 255 | Température de couleur, 1900–2700 K |
| 5 | Couleur | 000 ⇔ 255 | voir Charte de couleurs |
| 6 | Motifs (voir Motifs) | 000 | Pas de fonction |
| | | 001 ⇔ 255 | Motif 1–255 |
| 7 | Macro LED | 000 ⇔ 255 | voir Macro LED |
| 8 | Vitesse pour macro LED | 000 ⇔ 127 | Rapide à lent, sens horaire |
| | | 128 | Attente |
| | | 129 ⇔ 255 | Lent à rapide, dans le sens antihoraire |
| 9 | Décalage interne LED | 000 ⇔ 255 | Rapide à lent |
| 10 | Couleur de l'arrière plan | 000 ⇔ 255 | voir Charte de couleurs |
| 11 | Gradateur de l'arrière plan | 000 ⇔ 255 | 0–100% |
| 12 | Gradateur fin de l'arrière plan | 000 ⇔ 255 | 0–100% |
| 13 | Gradateur | 000 ⇔ 255 | 0–100% |
| 14 | Gradateur fin | 000 ⇔ 255 | 0–100% |
| 15 | Obturateur | 000 ⇔ 255 | voir Paramètres obturateur |
| 16 | Zoom 1 (voir Zones de zoom) | 000 ⇔ 255 | Large à étroit (Zone 1) |
| 17 | Zoom 2 (voir Zones de zoom) | 000 ⇔ 255 | Large à étroit (Zone 2) |
| 18 | Contrôle | 000 ⇔ 255 | voir Paramètres de contrôle |

| Canal | Fonction | Valeur | Pourcentage/Paramétrage |
|-------|-----------|-----------|--------------------------------------|
| 19 | Rouge | 000 ⇔ 255 | Mode RGBW: 0–100% / Mode CMY: 100–0% |
| 20 | Rouge fin | 000 ⇔ 255 | Mode RGBW: 0–100% / Mode CMY: 100–0% |
| 21 | Vert | 000 ⇔ 255 | Mode RGBW: 0–100% / Mode CMY: 100–0% |
| 22 | Vert fin | 000 ⇔ 255 | Mode RGBW: 0–100% / Mode CMY: 100–0% |
| 23 | Bleu | 000 ⇔ 255 | Mode RGBW: 0–100% / Mode CMY: 100–0% |
| 24 | Bleu fin | 000 ⇔ 255 | Mode RGBW: 0–100% / Mode CMY: 100–0% |
| 25 | Blanc | 000 ⇔ 255 | Mode RGBW: 0–100% / Mode CMY: 100–0% |
| 26 | Blanc fin | 000 ⇔ 255 | Mode RGBW: 0–100% / Mode CMY: 100–0% |

Dual Control Movement: Mode « Standard » (20CH)

| Canal | Fonction | Valeur | Pourcentage/Paramétrage |
|-------|--|-------------------------------|---|
| 1 | Inclinaison | 000 ⇔ 255 | 0–100% |
| 2 | Inclinaison fin | 000 ⇔ 255 | 0–100% |
| 3 | Vitesse d'inclinaison | 000 ⇔ 255 | 0–100% |
| 4 | CTC | 000 001 ⇔ 255 | Pas de fonction Température de couleur, 1900–2700 K |
| 5 | Couleur | 000 ⇔ 255 | voir Charte de couleurs |
| 6 | Motifs (voir Motifs) | 000 001 ⇔ 255 | Pas de fonction Motif 1–255 |
| 7 | Macro LED | 000 ⇔ 255 | voir Macro LED |
| 8 | Vitesse pour macro LED | 000 ⇔ 127 128 129 ⇔ 255 | Rapide à lent, sens horaire Attente Lent à rapide, dans le sens antihoraire |
| 9 | Décalage interne LED | 000 ⇔ 255 | Rapide à lent |
| 10 | Couleur de l'arrière plan | 000 ⇔ 255 | voir Charte de couleurs |
| 11 | Gradateur de l'arrière plan | 000 ⇔ 255 | 0–100% |
| 12 | Gradateur | 000 ⇔ 255 | 0–100% |
| 13 | Obturbateur | 000 ⇔ 255 | voir Paramètres obturbateur |
| 14 | Zoom 1 (voir Zones de zoom) | 000 ⇔ 255 | Large à étroit (Zone 1) |
| 15 | Zoom 2 (voir Zones de zoom) | 000 ⇔ 255 | Large à étroit (Zone 2) |
| 16 | Contrôle | 000 ⇔ 255 | voir Paramètres de contrôle |
| 17 | Rouge | 000 ⇔ 255 | Mode RGBW: 0–100% / Mode CMY: 100–0% |
| 18 | Vert | 000 ⇔ 255 | Mode RGBW: 0–100% / Mode CMY: 100–0% |
| 19 | Bleu | 000 ⇔ 255 | Mode RGBW: 0–100% / Mode CMY: 100–0% |
| 20 | Blanc | 000 ⇔ 255 | Mode RGBW: 0–100% / Mode CMY: 100–0% |

Dual Control Movement: Mode « Standard » (8CH)

| Canal | Fonction | Valeur | Pourcentage/Paramétrage |
|-------|--|-----------|---|
| 1 | Inclinaison | 000 ⇔ 255 | 0–100% |
| 2 | Inclinaison fin | 000 ⇔ 255 | 0–100% |
| 3 | Vitesse d'inclinaison | 000 ⇔ 255 | 0–100% |
| 4 | Gradateur | 000 ⇔ 255 | 0–100% |
| 5 | Couleur | 000 ⇔ 255 | voir Charte de couleurs |
| 6 | Zoom 1 (voir Zones de zoom) | 000 ⇔ 255 | Large à étroit (Zone 1) |
| 7 | Zoom 2 (voir Zones de zoom) | 000 ⇔ 255 | Large à étroit (Zone 2) |
| 8 | Contrôle | 000 ⇔ 255 | voir Paramètres de contrôle |

Dual Control Pixels: Mode « Advanced » (128CH)

| Canal | Fonction | | Valeur | Pourcentage/Paramétrage |
|-------|-------------|---------------|-----------|--------------------------------------|
| 1 | Rouge 1 | Cyan 1 | 000 ⇔ 255 | Mode RGBW: 0–100% / Mode CMY: 100–0% |
| 2 | Rouge fin 1 | Cyan fin 1 | 000 ⇔ 255 | Mode RGBW: 0–100% / Mode CMY: 100–0% |
| 3 | Vert 1 | Magenta 1 | 000 ⇔ 255 | Mode RGBW: 0–100% / Mode CMY: 100–0% |
| 4 | Vert fin 1 | Magenta fin 1 | 000 ⇔ 255 | Mode RGBW: 0–100% / Mode CMY: 100–0% |
| 5 | Bleu 1 | Jaune 1 | 000 ⇔ 255 | Mode RGBW: 0–100% / Mode CMY: 100–0% |
| 6 | Bleu fin 1 | Jaune fin 1 | 000 ⇔ 255 | Mode RGBW: 0–100% / Mode CMY: 100–0% |
| 7 | Blanc 1 | | 000 ⇔ 255 | Mode RGBW: 0–100% / Mode CMY: 100–0% |
| 8 | Blanc fin 1 | | 000 ⇔ 255 | Mode RGBW: 0–100% / Mode CMY: 100–0% |
| 9 | Rouge 2 | Cyan 2 | 000 ⇔ 255 | Mode RGBW: 0–100% / Mode CMY: 100–0% |
| 10 | Rouge fin 2 | Cyan fin 2 | 000 ⇔ 255 | Mode RGBW: 0–100% / Mode CMY: 100–0% |
| 11 | Vert 2 | Magenta 2 | 000 ⇔ 255 | Mode RGBW: 0–100% / Mode CMY: 100–0% |
| 12 | Vert fin 2 | Magenta fin 2 | 000 ⇔ 255 | Mode RGBW: 0–100% / Mode CMY: 100–0% |
| 13 | Bleu 2 | Jaune 2 | 000 ⇔ 255 | Mode RGBW: 0–100% / Mode CMY: 100–0% |
| 14 | Bleu fin 2 | Jaune fin 2 | 000 ⇔ 255 | Mode RGBW: 0–100% / Mode CMY: 100–0% |
| 15 | Blanc 2 | | 000 ⇔ 255 | Mode RGBW: 0–100% / Mode CMY: 100–0% |
| 16 | Blanc fin 2 | | 000 ⇔ 255 | Mode RGBW: 0–100% / Mode CMY: 100–0% |
| 17 | Rouge 3 | Cyan 3 | 000 ⇔ 255 | Mode RGBW: 0–100% / Mode CMY: 100–0% |
| 18 | Rouge fin 3 | Cyan fin 3 | 000 ⇔ 255 | Mode RGBW: 0–100% / Mode CMY: 100–0% |
| 19 | Vert 3 | Magenta 3 | 000 ⇔ 255 | Mode RGBW: 0–100% / Mode CMY: 100–0% |
| 20 | Vert fin 3 | Magenta fin 3 | 000 ⇔ 255 | Mode RGBW: 0–100% / Mode CMY: 100–0% |
| 21 | Bleu 3 | Jaune 3 | 000 ⇔ 255 | Mode RGBW: 0–100% / Mode CMY: 100–0% |
| 22 | Bleu fin 3 | Jaune fin 3 | 000 ⇔ 255 | Mode RGBW: 0–100% / Mode CMY: 100–0% |
| 23 | Blanc 3 | | 000 ⇔ 255 | Mode RGBW: 0–100% / Mode CMY: 100–0% |
| 24 | Blanc fin 3 | | 000 ⇔ 255 | Mode RGBW: 0–100% / Mode CMY: 100–0% |
| 25 | Rouge 4 | Cyan 4 | 000 ⇔ 255 | Mode RGBW: 0–100% / Mode CMY: 100–0% |
| 26 | Rouge fin 4 | Cyan fin 4 | 000 ⇔ 255 | Mode RGBW: 0–100% / Mode CMY: 100–0% |
| 27 | Vert 4 | Magenta 4 | 000 ⇔ 255 | Mode RGBW: 0–100% / Mode CMY: 100–0% |
| 28 | Vert fin 4 | Magenta fin 4 | 000 ⇔ 255 | Mode RGBW: 0–100% / Mode CMY: 100–0% |
| 29 | Bleu 4 | Jaune 4 | 000 ⇔ 255 | Mode RGBW: 0–100% / Mode CMY: 100–0% |
| 30 | Bleu fin 4 | Jaune fin 4 | 000 ⇔ 255 | Mode RGBW: 0–100% / Mode CMY: 100–0% |
| 31 | Blanc 4 | | 000 ⇔ 255 | Mode RGBW: 0–100% / Mode CMY: 100–0% |
| 32 | Blanc fin 4 | | 000 ⇔ 255 | Mode RGBW: 0–100% / Mode CMY: 100–0% |
| 33 | Rouge 5 | Cyan 5 | 000 ⇔ 255 | Mode RGBW: 0–100% / Mode CMY: 100–0% |
| 34 | Rouge fin 5 | Cyan fin 5 | 000 ⇔ 255 | Mode RGBW: 0–100% / Mode CMY: 100–0% |
| 35 | Vert 5 | Magenta 5 | 000 ⇔ 255 | Mode RGBW: 0–100% / Mode CMY: 100–0% |
| 36 | Vert fin 5 | Magenta fin 5 | 000 ⇔ 255 | Mode RGBW: 0–100% / Mode CMY: 100–0% |
| 37 | Bleu 5 | Jaune 5 | 000 ⇔ 255 | Mode RGBW: 0–100% / Mode CMY: 100–0% |
| 38 | Bleu fin 5 | Jaune fin 5 | 000 ⇔ 255 | Mode RGBW: 0–100% / Mode CMY: 100–0% |
| 39 | Blanc 5 | | 000 ⇔ 255 | Mode RGBW: 0–100% / Mode CMY: 100–0% |
| 40 | Blanc fin 5 | | 000 ⇔ 255 | Mode RGBW: 0–100% / Mode CMY: 100–0% |
| 41 | Rouge 6 | Cyan 6 | 000 ⇔ 255 | Mode RGBW: 0–100% / Mode CMY: 100–0% |
| 42 | Rouge fin 6 | Cyan fin 6 | 000 ⇔ 255 | Mode RGBW: 0–100% / Mode CMY: 100–0% |
| 43 | Vert 6 | Magenta 6 | 000 ⇔ 255 | Mode RGBW: 0–100% / Mode CMY: 100–0% |
| 44 | Vert fin 6 | Magenta fin 6 | 000 ⇔ 255 | Mode RGBW: 0–100% / Mode CMY: 100–0% |
| 45 | Bleu 6 | Jaune 6 | 000 ⇔ 255 | Mode RGBW: 0–100% / Mode CMY: 100–0% |
| 46 | Bleu fin 6 | Jaune fin 6 | 000 ⇔ 255 | Mode RGBW: 0–100% / Mode CMY: 100–0% |
| 47 | Blanc 6 | | 000 ⇔ 255 | Mode RGBW: 0–100% / Mode CMY: 100–0% |
| 48 | Blanc fin 6 | | 000 ⇔ 255 | Mode RGBW: 0–100% / Mode CMY: 100–0% |
| 49 | Rouge 7 | Cyan 7 | 000 ⇔ 255 | Mode RGBW: 0–100% / Mode CMY: 100–0% |
| 50 | Rouge fin 7 | Cyan fin 7 | 000 ⇔ 255 | Mode RGBW: 0–100% / Mode CMY: 100–0% |

| Canal | Fonction | | Valeur | Pourcentage/Paramétrage |
|-------|--------------|----------------|-----------|--------------------------------------|
| 51 | Vert 7 | Magenta 7 | 000 ⇔ 255 | Mode RGBW: 0–100% / Mode CMY: 100–0% |
| 52 | Vert fin 7 | Magenta fin 7 | 000 ⇔ 255 | Mode RGBW: 0–100% / Mode CMY: 100–0% |
| 53 | Bleu 7 | Jaune 7 | 000 ⇔ 255 | Mode RGBW: 0–100% / Mode CMY: 100–0% |
| 54 | Bleu fin 7 | Jaune fin 7 | 000 ⇔ 255 | Mode RGBW: 0–100% / Mode CMY: 100–0% |
| 55 | Blanc 7 | | 000 ⇔ 255 | Mode RGBW: 0–100% / Mode CMY: 100–0% |
| 56 | Blanc fin 7 | | 000 ⇔ 255 | Mode RGBW: 0–100% / Mode CMY: 100–0% |
| 57 | Rouge 8 | Cyan 8 | 000 ⇔ 255 | Mode RGBW: 0–100% / Mode CMY: 100–0% |
| 58 | Rouge fin 8 | Cyan fin 8 | 000 ⇔ 255 | Mode RGBW: 0–100% / Mode CMY: 100–0% |
| 59 | Vert 8 | Magenta 8 | 000 ⇔ 255 | Mode RGBW: 0–100% / Mode CMY: 100–0% |
| 60 | Vert fin 8 | Magenta fin 8 | 000 ⇔ 255 | Mode RGBW: 0–100% / Mode CMY: 100–0% |
| 61 | Bleu 8 | Jaune 8 | 000 ⇔ 255 | Mode RGBW: 0–100% / Mode CMY: 100–0% |
| 62 | Bleu fin 8 | Jaune fin 8 | 000 ⇔ 255 | Mode RGBW: 0–100% / Mode CMY: 100–0% |
| 63 | Blanc 8 | | 000 ⇔ 255 | Mode RGBW: 0–100% / Mode CMY: 100–0% |
| 64 | Blanc fin 8 | | 000 ⇔ 255 | Mode RGBW: 0–100% / Mode CMY: 100–0% |
| 65 | Rouge 9 | Cyan 9 | 000 ⇔ 255 | Mode RGBW: 0–100% / Mode CMY: 100–0% |
| 66 | Rouge fin 9 | Cyan fin 9 | 000 ⇔ 255 | Mode RGBW: 0–100% / Mode CMY: 100–0% |
| 67 | Vert 9 | Magenta 9 | 000 ⇔ 255 | Mode RGBW: 0–100% / Mode CMY: 100–0% |
| 68 | Vert fin 9 | Magenta fin 9 | 000 ⇔ 255 | Mode RGBW: 0–100% / Mode CMY: 100–0% |
| 69 | Bleu 9 | Jaune 9 | 000 ⇔ 255 | Mode RGBW: 0–100% / Mode CMY: 100–0% |
| 70 | Bleu fin 9 | Jaune fin 9 | 000 ⇔ 255 | Mode RGBW: 0–100% / Mode CMY: 100–0% |
| 71 | Blanc 9 | | 000 ⇔ 255 | Mode RGBW: 0–100% / Mode CMY: 100–0% |
| 72 | Blanc fin 9 | | 000 ⇔ 255 | Mode RGBW: 0–100% / Mode CMY: 100–0% |
| 73 | Rouge 10 | Cyan 10 | 000 ⇔ 255 | Mode RGBW: 0–100% / Mode CMY: 100–0% |
| 74 | Rouge fin 10 | Cyan fin 10 | 000 ⇔ 255 | Mode RGBW: 0–100% / Mode CMY: 100–0% |
| 75 | Vert 10 | Magenta 10 | 000 ⇔ 255 | Mode RGBW: 0–100% / Mode CMY: 100–0% |
| 76 | Vert fin 10 | Magenta fin 10 | 000 ⇔ 255 | Mode RGBW: 0–100% / Mode CMY: 100–0% |
| 77 | Bleu 10 | Jaune 10 | 000 ⇔ 255 | Mode RGBW: 0–100% / Mode CMY: 100–0% |
| 78 | Bleu fin 10 | Jaune fin 10 | 000 ⇔ 255 | Mode RGBW: 0–100% / Mode CMY: 100–0% |
| 79 | Blanc 10 | | 000 ⇔ 255 | Mode RGBW: 0–100% / Mode CMY: 100–0% |
| 80 | Blanc fin 10 | | 000 ⇔ 255 | Mode RGBW: 0–100% / Mode CMY: 100–0% |
| 81 | Rouge 11 | Cyan 11 | 000 ⇔ 255 | Mode RGBW: 0–100% / Mode CMY: 100–0% |
| 82 | Rouge fin 11 | Cyan fin 11 | 000 ⇔ 255 | Mode RGBW: 0–100% / Mode CMY: 100–0% |
| 83 | Vert 11 | Magenta 11 | 000 ⇔ 255 | Mode RGBW: 0–100% / Mode CMY: 100–0% |
| 84 | Vert fin 11 | Magenta fin 11 | 000 ⇔ 255 | Mode RGBW: 0–100% / Mode CMY: 100–0% |
| 85 | Bleu 11 | Jaune 11 | 000 ⇔ 255 | Mode RGBW: 0–100% / Mode CMY: 100–0% |
| 86 | Bleu fin 11 | Jaune fin 11 | 000 ⇔ 255 | Mode RGBW: 0–100% / Mode CMY: 100–0% |
| 87 | Blanc 11 | | 000 ⇔ 255 | Mode RGBW: 0–100% / Mode CMY: 100–0% |
| 88 | Blanc fin 11 | | 000 ⇔ 255 | Mode RGBW: 0–100% / Mode CMY: 100–0% |
| 89 | Rouge 12 | Cyan 12 | 000 ⇔ 255 | Mode RGBW: 0–100% / Mode CMY: 100–0% |
| 90 | Rouge fin 12 | Cyan fin 12 | 000 ⇔ 255 | Mode RGBW: 0–100% / Mode CMY: 100–0% |
| 91 | Vert 12 | Magenta 12 | 000 ⇔ 255 | Mode RGBW: 0–100% / Mode CMY: 100–0% |
| 92 | Vert fin 12 | Magenta fin 12 | 000 ⇔ 255 | Mode RGBW: 0–100% / Mode CMY: 100–0% |
| 93 | Bleu 12 | Jaune 12 | 000 ⇔ 255 | Mode RGBW: 0–100% / Mode CMY: 100–0% |
| 94 | Bleu fin 12 | Jaune fin 12 | 000 ⇔ 255 | Mode RGBW: 0–100% / Mode CMY: 100–0% |
| 95 | Blanc 12 | | 000 ⇔ 255 | Mode RGBW: 0–100% / Mode CMY: 100–0% |
| 96 | Blanc fin 12 | | 000 ⇔ 255 | Mode RGBW: 0–100% / Mode CMY: 100–0% |
| 97 | Rouge 13 | Cyan 13 | 000 ⇔ 255 | Mode RGBW: 0–100% / Mode CMY: 100–0% |
| 98 | Rouge fin 13 | Cyan fin 13 | 000 ⇔ 255 | Mode RGBW: 0–100% / Mode CMY: 100–0% |
| 99 | Vert 13 | Magenta 13 | 000 ⇔ 255 | Mode RGBW: 0–100% / Mode CMY: 100–0% |
| 100 | Vert fin 13 | Magenta fin 13 | 000 ⇔ 255 | Mode RGBW: 0–100% / Mode CMY: 100–0% |
| 101 | Bleu 13 | Jaune 13 | 000 ⇔ 255 | Mode RGBW: 0–100% / Mode CMY: 100–0% |

| Canal | Fonction | | Valeur | Pourcentage/Paramétrage |
|-------|--------------|----------------|-----------|--------------------------------------|
| 102 | Bleu fin 13 | Jaune fin 13 | 000 ⇔ 255 | Mode RGBW: 0–100% / Mode CMY: 100–0% |
| 103 | Blanc 13 | | 000 ⇔ 255 | Mode RGBW: 0–100% / Mode CMY: 100–0% |
| 104 | Blanc fin 13 | | 000 ⇔ 255 | Mode RGBW: 0–100% / Mode CMY: 100–0% |
| 105 | Rouge 14 | Cyan 14 | 000 ⇔ 255 | Mode RGBW: 0–100% / Mode CMY: 100–0% |
| 106 | Rouge fin 14 | Cyan fin 14 | 000 ⇔ 255 | Mode RGBW: 0–100% / Mode CMY: 100–0% |
| 107 | Vert 14 | Magenta 14 | 000 ⇔ 255 | Mode RGBW: 0–100% / Mode CMY: 100–0% |
| 108 | Vert fin 14 | Magenta fin 14 | 000 ⇔ 255 | Mode RGBW: 0–100% / Mode CMY: 100–0% |
| 109 | Bleu 14 | Jaune 14 | 000 ⇔ 255 | Mode RGBW: 0–100% / Mode CMY: 100–0% |
| 110 | Bleu fin 14 | Jaune fin 14 | 000 ⇔ 255 | Mode RGBW: 0–100% / Mode CMY: 100–0% |
| 111 | Blanc 14 | | 000 ⇔ 255 | Mode RGBW: 0–100% / Mode CMY: 100–0% |
| 112 | Blanc fin 14 | | 000 ⇔ 255 | Mode RGBW: 0–100% / Mode CMY: 100–0% |
| 113 | Rouge 15 | Cyan 15 | 000 ⇔ 255 | Mode RGBW: 0–100% / Mode CMY: 100–0% |
| 114 | Rouge fin 15 | Cyan fin 15 | 000 ⇔ 255 | Mode RGBW: 0–100% / Mode CMY: 100–0% |
| 115 | Vert 15 | Magenta 15 | 000 ⇔ 255 | Mode RGBW: 0–100% / Mode CMY: 100–0% |
| 116 | Vert fin 15 | Magenta fin 15 | 000 ⇔ 255 | Mode RGBW: 0–100% / Mode CMY: 100–0% |
| 117 | Bleu 15 | Jaune 15 | 000 ⇔ 255 | Mode RGBW: 0–100% / Mode CMY: 100–0% |
| 118 | Bleu fin 15 | Jaune fin 15 | 000 ⇔ 255 | Mode RGBW: 0–100% / Mode CMY: 100–0% |
| 119 | Blanc 15 | | 000 ⇔ 255 | Mode RGBW: 0–100% / Mode CMY: 100–0% |
| 120 | Blanc fin 15 | | 000 ⇔ 255 | Mode RGBW: 0–100% / Mode CMY: 100–0% |
| 121 | Rouge 16 | Cyan 16 | 000 ⇔ 255 | Mode RGBW: 0–100% / Mode CMY: 100–0% |
| 122 | Rouge fin 16 | Cyan fin 16 | 000 ⇔ 255 | Mode RGBW: 0–100% / Mode CMY: 100–0% |
| 123 | Vert 16 | Magenta 16 | 000 ⇔ 255 | Mode RGBW: 0–100% / Mode CMY: 100–0% |
| 124 | Vert fin 16 | Magenta fin 16 | 000 ⇔ 255 | Mode RGBW: 0–100% / Mode CMY: 100–0% |
| 125 | Bleu 16 | Jaune 16 | 000 ⇔ 255 | Mode RGBW: 0–100% / Mode CMY: 100–0% |
| 126 | Bleu fin 16 | Jaune fin 16 | 000 ⇔ 255 | Mode RGBW: 0–100% / Mode CMY: 100–0% |
| 127 | Blanc 16 | | 000 ⇔ 255 | Mode RGBW: 0–100% / Mode CMY: 100–0% |
| 128 | Blanc fin 16 | | 000 ⇔ 255 | Mode RGBW: 0–100% / Mode CMY: 100–0% |

Dual Control Pixels: Mode « Standard » (64CH)

| Channel | Fonction | | Valeur | Pourcentage/Paramétrage |
|---------|----------|-----------|-----------|--------------------------------------|
| 1 | Rouge 1 | Cyan 1 | 000 ⇔ 255 | Mode RGBW: 0–100% / Mode CMY: 100–0% |
| 2 | Vert 1 | Magenta 1 | 000 ⇔ 255 | Mode RGBW: 0–100% / Mode CMY: 100–0% |
| 3 | Bleu 1 | Jaune 1 | 000 ⇔ 255 | Mode RGBW: 0–100% / Mode CMY: 100–0% |
| 4 | Blanc 1 | | 000 ⇔ 255 | Mode RGBW: 0–100% / Mode CMY: 100–0% |
| 5 | Rouge 2 | Cyan 2 | 000 ⇔ 255 | Mode RGBW: 0–100% / Mode CMY: 100–0% |
| 6 | Vert 2 | Magenta 2 | 000 ⇔ 255 | Mode RGBW: 0–100% / Mode CMY: 100–0% |
| 7 | Bleu 2 | Jaune 2 | 000 ⇔ 255 | Mode RGBW: 0–100% / Mode CMY: 100–0% |
| 8 | Blanc 2 | | 000 ⇔ 255 | Mode RGBW: 0–100% / Mode CMY: 100–0% |
| 9 | Rouge 3 | Cyan 3 | 000 ⇔ 255 | Mode RGBW: 0–100% / Mode CMY: 100–0% |
| 10 | Vert 3 | Magenta 3 | 000 ⇔ 255 | Mode RGBW: 0–100% / Mode CMY: 100–0% |
| 11 | Bleu 3 | Jaune 3 | 000 ⇔ 255 | Mode RGBW: 0–100% / Mode CMY: 100–0% |
| 12 | Blanc 3 | | 000 ⇔ 255 | Mode RGBW: 0–100% / Mode CMY: 100–0% |
| 13 | Rouge 4 | Cyan 4 | 000 ⇔ 255 | Mode RGBW: 0–100% / Mode CMY: 100–0% |
| 14 | Vert 4 | Magenta 4 | 000 ⇔ 255 | Mode RGBW: 0–100% / Mode CMY: 100–0% |
| 15 | Bleu 4 | Jaune 4 | 000 ⇔ 255 | Mode RGBW: 0–100% / Mode CMY: 100–0% |
| 16 | Blanc 4 | | 000 ⇔ 255 | Mode RGBW: 0–100% / Mode CMY: 100–0% |
| 17 | Rouge 5 | Cyan 5 | 000 ⇔ 255 | Mode RGBW: 0–100% / Mode CMY: 100–0% |
| 18 | Vert 5 | Magenta 5 | 000 ⇔ 255 | Mode RGBW: 0–100% / Mode CMY: 100–0% |
| 19 | Bleu 5 | Jaune 5 | 000 ⇔ 255 | Mode RGBW: 0–100% / Mode CMY: 100–0% |
| 20 | Blanc 5 | | 000 ⇔ 255 | Mode RGBW: 0–100% / Mode CMY: 100–0% |

| Channel | Fonction | | Valeur | Pourcentage/Paramétrage |
|---------|----------|------------|-----------|--------------------------------------|
| 21 | Rouge 6 | Cyan 6 | 000 ⇔ 255 | Mode RGBW: 0–100% / Mode CMY: 100–0% |
| 22 | Vert 6 | Magenta 6 | 000 ⇔ 255 | Mode RGBW: 0–100% / Mode CMY: 100–0% |
| 23 | Bleu 6 | Jaune 6 | 000 ⇔ 255 | Mode RGBW: 0–100% / Mode CMY: 100–0% |
| 24 | Blanc 6 | | 000 ⇔ 255 | Mode RGBW: 0–100% / Mode CMY: 100–0% |
| 25 | Rouge 7 | Cyan 7 | 000 ⇔ 255 | Mode RGBW: 0–100% / Mode CMY: 100–0% |
| 26 | Vert 7 | Magenta 7 | 000 ⇔ 255 | Mode RGBW: 0–100% / Mode CMY: 100–0% |
| 27 | Bleu 7 | Jaune 7 | 000 ⇔ 255 | Mode RGBW: 0–100% / Mode CMY: 100–0% |
| 28 | Blanc 7 | | 000 ⇔ 255 | Mode RGBW: 0–100% / Mode CMY: 100–0% |
| 29 | Rouge 8 | Cyan 8 | 000 ⇔ 255 | Mode RGBW: 0–100% / Mode CMY: 100–0% |
| 30 | Vert 8 | Magenta 8 | 000 ⇔ 255 | Mode RGBW: 0–100% / Mode CMY: 100–0% |
| 31 | Bleu 8 | Jaune 8 | 000 ⇔ 255 | Mode RGBW: 0–100% / Mode CMY: 100–0% |
| 32 | Blanc 8 | | 000 ⇔ 255 | Mode RGBW: 0–100% / Mode CMY: 100–0% |
| 33 | Rouge 9 | Cyan 9 | 000 ⇔ 255 | Mode RGBW: 0–100% / Mode CMY: 100–0% |
| 34 | Vert 9 | Magenta 9 | 000 ⇔ 255 | Mode RGBW: 0–100% / Mode CMY: 100–0% |
| 35 | Bleu 9 | Jaune 9 | 000 ⇔ 255 | Mode RGBW: 0–100% / Mode CMY: 100–0% |
| 36 | Blanc 9 | | 000 ⇔ 255 | Mode RGBW: 0–100% / Mode CMY: 100–0% |
| 37 | Rouge 10 | Cyan 10 | 000 ⇔ 255 | Mode RGBW: 0–100% / Mode CMY: 100–0% |
| 38 | Vert 10 | Magenta 10 | 000 ⇔ 255 | Mode RGBW: 0–100% / Mode CMY: 100–0% |
| 39 | Bleu 10 | Jaune 10 | 000 ⇔ 255 | Mode RGBW: 0–100% / Mode CMY: 100–0% |
| 40 | Blanc 10 | | 000 ⇔ 255 | Mode RGBW: 0–100% / Mode CMY: 100–0% |
| 41 | Rouge 11 | Cyan 11 | 000 ⇔ 255 | Mode RGBW: 0–100% / Mode CMY: 100–0% |
| 42 | Vert 11 | Magenta 11 | 000 ⇔ 255 | Mode RGBW: 0–100% / Mode CMY: 100–0% |
| 43 | Bleu 11 | Jaune 11 | 000 ⇔ 255 | Mode RGBW: 0–100% / Mode CMY: 100–0% |
| 44 | Blanc 11 | | 000 ⇔ 255 | Mode RGBW: 0–100% / Mode CMY: 100–0% |
| 45 | Rouge 12 | Cyan 12 | 000 ⇔ 255 | Mode RGBW: 0–100% / Mode CMY: 100–0% |
| 46 | Vert 12 | Magenta 12 | 000 ⇔ 255 | Mode RGBW: 0–100% / Mode CMY: 100–0% |
| 47 | Bleu 12 | Jaune 12 | 000 ⇔ 255 | Mode RGBW: 0–100% / Mode CMY: 100–0% |
| 48 | Blanc 12 | | 000 ⇔ 255 | Mode RGBW: 0–100% / Mode CMY: 100–0% |
| 49 | Rouge 13 | Cyan 13 | 000 ⇔ 255 | Mode RGBW: 0–100% / Mode CMY: 100–0% |
| 50 | Vert 13 | Magenta 13 | 000 ⇔ 255 | Mode RGBW: 0–100% / Mode CMY: 100–0% |
| 51 | Bleu 13 | Jaune 13 | 000 ⇔ 255 | Mode RGBW: 0–100% / Mode CMY: 100–0% |
| 52 | Blanc 13 | | 000 ⇔ 255 | Mode RGBW: 0–100% / Mode CMY: 100–0% |
| 53 | Rouge 14 | Cyan 14 | 000 ⇔ 255 | Mode RGBW: 0–100% / Mode CMY: 100–0% |
| 54 | Vert 14 | Magenta 14 | 000 ⇔ 255 | Mode RGBW: 0–100% / Mode CMY: 100–0% |
| 55 | Bleu 14 | Jaune 14 | 000 ⇔ 255 | Mode RGBW: 0–100% / Mode CMY: 100–0% |
| 56 | Blanc 14 | | 000 ⇔ 255 | Mode RGBW: 0–100% / Mode CMY: 100–0% |
| 57 | Rouge 15 | Cyan 15 | 000 ⇔ 255 | Mode RGBW: 0–100% / Mode CMY: 100–0% |
| 58 | Vert 15 | Magenta 15 | 000 ⇔ 255 | Mode RGBW: 0–100% / Mode CMY: 100–0% |
| 59 | Bleu 15 | Jaune 15 | 000 ⇔ 255 | Mode RGBW: 0–100% / Mode CMY: 100–0% |
| 60 | Blanc 15 | | 000 ⇔ 255 | Mode RGBW: 0–100% / Mode CMY: 100–0% |
| 61 | Rouge 16 | Cyan 16 | 000 ⇔ 255 | Mode RGBW: 0–100% / Mode CMY: 100–0% |
| 62 | Vert 16 | Magenta 16 | 000 ⇔ 255 | Mode RGBW: 0–100% / Mode CMY: 100–0% |
| 63 | Bleu 16 | Jaune 16 | 000 ⇔ 255 | Mode RGBW: 0–100% / Mode CMY: 100–0% |
| 64 | Blanc 16 | | 000 ⇔ 255 | Mode RGBW: 0–100% / Mode CMY: 100–0% |

Dual Control Pixels: Mode « Basic » (48CH)

| Channel | Fonction | | Valeur | Pourcentage/Paramétrage |
|---------|----------|------------|-----------|--------------------------------------|
| 1 | Rouge 1 | Cyan 1 | 000 ⇄ 255 | Mode RGBW: 0–100% / Mode CMY: 100–0% |
| 2 | Vert 1 | Magenta 1 | 000 ⇄ 255 | Mode RGBW: 0–100% / Mode CMY: 100–0% |
| 3 | Bleu 1 | Jaune 1 | 000 ⇄ 255 | Mode RGBW: 0–100% / Mode CMY: 100–0% |
| 4 | Rouge 2 | Cyan 2 | 000 ⇄ 255 | Mode RGBW: 0–100% / Mode CMY: 100–0% |
| 5 | Vert 2 | Magenta 2 | 000 ⇄ 255 | Mode RGBW: 0–100% / Mode CMY: 100–0% |
| 6 | Bleu 2 | Jaune 2 | 000 ⇄ 255 | Mode RGBW: 0–100% / Mode CMY: 100–0% |
| 7 | Rouge 3 | Cyan 3 | 000 ⇄ 255 | Mode RGBW: 0–100% / Mode CMY: 100–0% |
| 8 | Vert 3 | Magenta 3 | 000 ⇄ 255 | Mode RGBW: 0–100% / Mode CMY: 100–0% |
| 9 | Bleu 3 | Jaune 3 | 000 ⇄ 255 | Mode RGBW: 0–100% / Mode CMY: 100–0% |
| 10 | Rouge 4 | Cyan 4 | 000 ⇄ 255 | Mode RGBW: 0–100% / Mode CMY: 100–0% |
| 11 | Vert 4 | Magenta 4 | 000 ⇄ 255 | Mode RGBW: 0–100% / Mode CMY: 100–0% |
| 12 | Bleu 4 | Jaune 4 | 000 ⇄ 255 | Mode RGBW: 0–100% / Mode CMY: 100–0% |
| 13 | Rouge 5 | Cyan 5 | 000 ⇄ 255 | Mode RGBW: 0–100% / Mode CMY: 100–0% |
| 14 | Vert 5 | Magenta 5 | 000 ⇄ 255 | Mode RGBW: 0–100% / Mode CMY: 100–0% |
| 15 | Bleu 5 | Jaune 5 | 000 ⇄ 255 | Mode RGBW: 0–100% / Mode CMY: 100–0% |
| 16 | Rouge 6 | Cyan 6 | 000 ⇄ 255 | Mode RGBW: 0–100% / Mode CMY: 100–0% |
| 17 | Vert 6 | Magenta 6 | 000 ⇄ 255 | Mode RGBW: 0–100% / Mode CMY: 100–0% |
| 18 | Bleu 6 | Jaune 6 | 000 ⇄ 255 | Mode RGBW: 0–100% / Mode CMY: 100–0% |
| 19 | Rouge 7 | Cyan 7 | 000 ⇄ 255 | Mode RGBW: 0–100% / Mode CMY: 100–0% |
| 20 | Vert 7 | Magenta 7 | 000 ⇄ 255 | Mode RGBW: 0–100% / Mode CMY: 100–0% |
| 21 | Bleu 7 | Jaune 7 | 000 ⇄ 255 | Mode RGBW: 0–100% / Mode CMY: 100–0% |
| 22 | Rouge 8 | Cyan 8 | 000 ⇄ 255 | Mode RGBW: 0–100% / Mode CMY: 100–0% |
| 23 | Vert 8 | Magenta 8 | 000 ⇄ 255 | Mode RGBW: 0–100% / Mode CMY: 100–0% |
| 24 | Bleu 8 | Jaune 8 | 000 ⇄ 255 | Mode RGBW: 0–100% / Mode CMY: 100–0% |
| 25 | Rouge 9 | Cyan 9 | 000 ⇄ 255 | Mode RGBW: 0–100% / Mode CMY: 100–0% |
| 26 | Vert 9 | Magenta 9 | 000 ⇄ 255 | Mode RGBW: 0–100% / Mode CMY: 100–0% |
| 27 | Bleu 9 | Jaune 9 | 000 ⇄ 255 | Mode RGBW: 0–100% / Mode CMY: 100–0% |
| 28 | Rouge 10 | Cyan 10 | 000 ⇄ 255 | Mode RGBW: 0–100% / Mode CMY: 100–0% |
| 29 | Vert 10 | Magenta 10 | 000 ⇄ 255 | Mode RGBW: 0–100% / Mode CMY: 100–0% |
| 30 | Bleu 10 | Jaune 10 | 000 ⇄ 255 | Mode RGBW: 0–100% / Mode CMY: 100–0% |
| 31 | Rouge 11 | Cyan 11 | 000 ⇄ 255 | Mode RGBW: 0–100% / Mode CMY: 100–0% |
| 32 | Vert 11 | Magenta 11 | 000 ⇄ 255 | Mode RGBW: 0–100% / Mode CMY: 100–0% |
| 33 | Bleu 11 | Jaune 11 | 000 ⇄ 255 | Mode RGBW: 0–100% / Mode CMY: 100–0% |
| 34 | Rouge 12 | Cyan 12 | 000 ⇄ 255 | Mode RGBW: 0–100% / Mode CMY: 100–0% |
| 35 | Vert 12 | Magenta 12 | 000 ⇄ 255 | Mode RGBW: 0–100% / Mode CMY: 100–0% |
| 36 | Bleu 12 | Jaune 12 | 000 ⇄ 255 | Mode RGBW: 0–100% / Mode CMY: 100–0% |
| 37 | Rouge 13 | Cyan 13 | 000 ⇄ 255 | Mode RGBW: 0–100% / Mode CMY: 100–0% |
| 38 | Vert 13 | Magenta 13 | 000 ⇄ 255 | Mode RGBW: 0–100% / Mode CMY: 100–0% |
| 39 | Bleu 13 | Jaune 13 | 000 ⇄ 255 | Mode RGBW: 0–100% / Mode CMY: 100–0% |
| 40 | Rouge 14 | Cyan 14 | 000 ⇄ 255 | Mode RGBW: 0–100% / Mode CMY: 100–0% |
| 41 | Vert 14 | Magenta 14 | 000 ⇄ 255 | Mode RGBW: 0–100% / Mode CMY: 100–0% |
| 42 | Bleu 14 | Jaune 14 | 000 ⇄ 255 | Mode RGBW: 0–100% / Mode CMY: 100–0% |
| 43 | Rouge 15 | Cyan 15 | 000 ⇄ 255 | Mode RGBW: 0–100% / Mode CMY: 100–0% |
| 44 | Vert 15 | Magenta 15 | 000 ⇄ 255 | Mode RGBW: 0–100% / Mode CMY: 100–0% |
| 45 | Bleu 15 | Jaune 15 | 000 ⇄ 255 | Mode RGBW: 0–100% / Mode CMY: 100–0% |
| 46 | Rouge 16 | Cyan 16 | 000 ⇄ 255 | Mode RGBW: 0–100% / Mode CMY: 100–0% |
| 47 | Vert 16 | Magenta 16 | 000 ⇄ 255 | Mode RGBW: 0–100% / Mode CMY: 100–0% |
| 48 | Bleu 16 | Jaune 16 | 000 ⇄ 255 | Mode RGBW: 0–100% / Mode CMY: 100–0% |

Charte de couleurs

| Valeur | Pourcentage/Paramétrage | | | | |
|-----------|--------------------------------------|-----------|-----------|-----------|---------|
| 000 | Pas de fonction | | | | |
| 001 ⇔ 002 | Blanc 2700K | R = 156 | G = 118 | B = 0 | W = 63 |
| 003 ⇔ 004 | Blanc 3200K | R = 156 | G = 141 | B = 5 | W = 89 |
| 005 ⇔ 006 | Blanc 4200K | R = 156 | G = 141 | B = 14 | W = 255 |
| 007 ⇔ 008 | Blanc 5600K | R = 156 | G = 207 | B = 54 | W = 255 |
| 009 ⇔ 010 | Blanc 8000K | R = 130 | G = 255 | B = 96 | W = 255 |
| 011 | Bleu | R = 0 | G = 0 | B = 255 | W = 0 |
| 012 ⇔ 048 | + vert | R = 0 | G = 0–255 | B = 255 | W = 0 |
| 049 | Cyan | R = 0 | G = 255 | B = 255 | W = 0 |
| 050 ⇔ 086 | - bleu | R = 0 | G = 255 | B = 255–0 | W = 0 |
| 087 | Vert | R = 0 | G = 255 | B = 0 | W = 0 |
| 088 ⇔ 124 | + rouge | R = 0–255 | G = 255 | B = 0 | W = 0 |
| 125 | Jaune | R = 255 | G = 255 | B = 0 | W = 0 |
| 126 ⇔ 162 | - vert | R = 255 | G = 255–0 | B = 0 | W = 0 |
| 163 | Rouge | R = 255 | G = 0 | B = 0 | W = 0 |
| 164 ⇔ 200 | + bleu | R = 255 | G = 0 | B = 0–255 | W = 0 |
| 201 | Magenta | R = 255 | G = 0 | B = 255 | W = 0 |
| 202 ⇔ 238 | - rouge | R = 255–0 | G = 0 | B = 255 | W = 0 |
| 239 | Bleu | R = 0 | G = 0 | B = 255 | W = 0 |
| 240 ⇔ 247 | Changement de couleur, rapide à lent | | | | |
| 248 ⇔ 255 | Saut de couleur, rapide à lent | | | | |

Paramètres obturateur

| Valeur | Pourcentage/Paramétrage | Valeur | Pourcentage/Paramétrage |
|-----------|---|-----------|--|
| 000 ⇔ 019 | Arrêt | 145 ⇔ 149 | Marche |
| 020 ⇔ 024 | Marche | 150 ⇔ 164 | Stroboscope aléatoire 0–100%, rapide à lent |
| 025 ⇔ 064 | Stroboscope, rapide à lent | 165 ⇔ 169 | Marche |
| 065 ⇔ 069 | Marche | 170 ⇔ 184 | Stroboscope pulsation, rapide à lent |
| 070 ⇔ 084 | Stroboscope 100–0%, rapide à lent | 185 ⇔ 189 | Marche |
| 085 ⇔ 089 | Marche | 190 ⇔ 204 | Stroboscope pulsation aléatoire, rapide à lent |
| 090 ⇔ 104 | Stroboscope 0–100%, rapide à lent | 205 ⇔ 209 | Marche |
| 105 ⇔ 109 | Marche | 210 ⇔ 224 | Stroboscope 0–100–0%, rapide à lent |
| 110 ⇔ 124 | Stroboscope aléatoire, rapide à lent | 225 ⇔ 229 | Marche |
| 125 ⇔ 129 | Marche | 230 ⇔ 244 | Stroboscope pulsation aléatoire, rapide à lent |
| 130 ⇔ 144 | Stroboscope aléatoire 100–0%, rapide à lent | 245 ⇔ 255 | Marche |

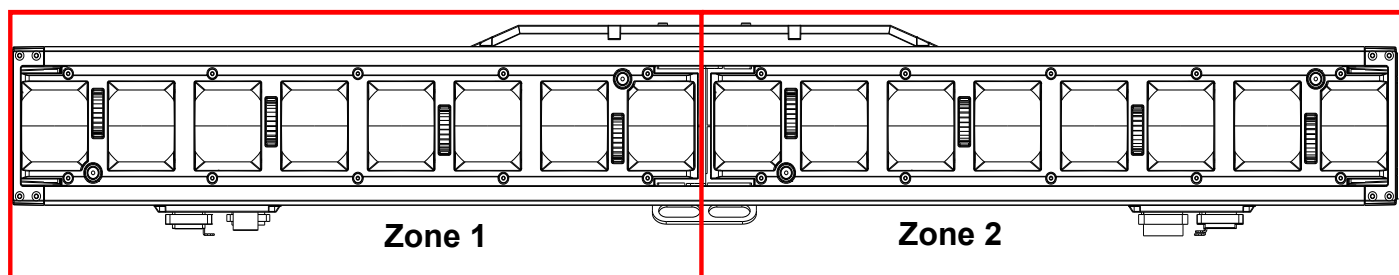
Paramètres de contrôle

| Valeur | Pourcentage/Paramétrage | Valeur | Pourcentage/Paramétrage |
|-----------|--|-----------|--|
| 000 ⇔ 009 | Pas de fonction | 095 ⇔ 099 | Réservé pour utilisation future |
| 010 ⇔ 014 | Noir général pendant le tilt | 100 ⇔ 104 | Inverser l'inclinaison désactivée |
| 015 ⇔ 019 | Réservé pour utilisation future | 105 ⇔ 119 | Réservé pour utilisation future |
| 020 ⇔ 024 | Mode de mélange de couleur RGBW (en ajout) | 120 ⇔ 124 | Mode de vitesse ventilateur ECO |
| 025 ⇔ 029 | Mode de mélange de couleur CMY (en soustraction) | 125 ⇔ 129 | Mode de vitesse ventilateur plein régime |
| 030 ⇔ 039 | Réservé pour utilisation future | 130 ⇔ 134 | Mode de vitesse ventilateur automatique |
| 040 ⇔ 044 | Ventilateur de dégivrage active | 135 ⇔ 139 | Mode de vitesse de gradation rapide |
| 045 ⇔ 049 | Ventilateur de dégivrage désactive | 140 ⇔ 144 | Mode de vitesse de gradation lente |
| 050 ⇔ 054 | Réservé pour utilisation future | 145 ⇔ 149 | Linear |
| 055 ⇔ 059 | Réinitialisation du tilt | 150 ⇔ 154 | Square |
| 060 ⇔ 064 | Réinitialisation zoom | 155 ⇔ 159 | i Squa |
| 065 ⇔ 069 | Réservé pour utilisation future | 160 ⇔ 164 | SCurve |
| 070 ⇔ 074 | Réinitialisation totale | 165 ⇔ 169 | Mode blanc |
| 075 ⇔ 089 | Réservé pour utilisation future | 170 ⇔ 174 | Mode complet |
| 090 ⇔ 094 | Inclinaison inversée | 175 ⇔ 255 | Réservé pour utilisation future |

Macro LED

| Valeur | Pourcentage/Paramétrage | Valeur | Pourcentage/Paramétrage |
|-----------|--|-----------|---|
| 000 ⇔ 015 | Pas de fonction | 136 ⇔ 137 | Macro de couleur automatique 38 |
| 016 ⇔ 017 | Macro à couleur contrôlable 1 | 138 ⇔ 139 | Macro de couleur automatique 39 |
| 018 ⇔ 019 | Macro à couleur contrôlable 2 | 140 ⇔ 141 | Macro de couleur automatique 40 |
| 020 ⇔ 021 | Macro à couleur contrôlable 3 | 142 ⇔ 143 | Macro de couleur automatique 41 |
| 022 ⇔ 023 | Macro à couleur contrôlable 4 | 144 ⇔ 145 | Macro de couleur automatique 42 |
| 024 ⇔ 025 | Macro à couleur contrôlable 5 | 146 ⇔ 147 | Macro de couleur automatique 43 |
| 026 ⇔ 027 | Macro à couleur contrôlable 6 | 148 ⇔ 149 | Macro de couleur automatique 44 |
| 028 ⇔ 029 | Macro à couleur contrôlable 7 | 150 ⇔ 151 | Macro de couleur automatique 45 |
| 030 ⇔ 031 | Macro à couleur contrôlable 8 | 152 ⇔ 153 | Macro de couleur automatique 46 |
| 032 ⇔ 033 | Macro à couleur contrôlable 9 | 154 ⇔ 155 | Macro de couleur automatique 47 |
| 034 ⇔ 035 | Macro à couleur contrôlable 10 | 156 ⇔ 157 | Macro de couleur automatique 48 |
| 036 ⇔ 037 | Macro à couleur contrôlable 11 | 158 ⇔ 159 | Macro de couleur automatique 49 |
| 038 ⇔ 039 | Macro à couleur contrôlable 12 | 160 ⇔ 161 | Macro de couleur automatique 50 |
| 040 ⇔ 041 | Macro à couleur contrôlable 13 | 162 ⇔ 163 | Macro de couleur automatique 51 |
| 042 ⇔ 043 | Macro à couleur contrôlable 14 | 164 ⇔ 165 | Macro de couleur automatique 52 |
| 044 ⇔ 045 | Macro à couleur contrôlable 15 | 166 ⇔ 167 | Macro de couleur automatique 53 |
| 046 ⇔ 047 | Macro à couleur contrôlable 16 | 168 ⇔ 169 | Macro de couleur automatique 54 |
| 048 ⇔ 049 | Macro à couleur contrôlable 17 | 170 ⇔ 171 | Macro de couleur automatique 55 |
| 050 ⇔ 051 | Macro à couleur contrôlable 18 | 172 ⇔ 173 | Macro de couleur automatique 56 |
| 052 ⇔ 053 | Macro à couleur contrôlable 19 | 174 ⇔ 175 | Macro de couleur automatique 57 |
| 054 ⇔ 055 | Macro à couleur contrôlable 20 | 176 ⇔ 177 | Macro de couleur automatique 58 |
| 056 ⇔ 057 | Macro à couleur contrôlable 21 | 178 ⇔ 179 | Macro de couleur automatique 59 |
| 058 ⇔ 059 | Macro à couleur contrôlable 22 | 180 ⇔ 181 | Macro de couleur automatique 60 |
| 060 ⇔ 061 | Macro à couleur contrôlable 23 | 182 ⇔ 183 | Macro de couleur automatique 61 |
| 062 ⇔ 063 | Macro à couleur contrôlable 24 | 184 ⇔ 185 | Macro de couleur automatique 62 |
| 064 ⇔ 065 | Macro à couleur contrôlable 25 | 186 ⇔ 187 | Macro de couleur automatique 63 |
| 066 ⇔ 067 | Macro à couleur contrôlable 26 | 188 ⇔ 189 | Macro de couleur automatique 64 |
| 068 ⇔ 069 | Macro à couleur contrôlable 27 | 190 ⇔ 191 | Macro de couleur automatique 65 |
| 070 ⇔ 071 | Macro à couleur contrôlable 28 | 192 ⇔ 193 | Macro de couleur automatique 66 |
| 072 ⇔ 073 | Macro à couleur contrôlable 29 | 194 ⇔ 195 | Macro de couleur automatique 67 |
| 074 ⇔ 075 | Macro à couleur contrôlable 30 | 196 ⇔ 197 | Macro de couleur automatique 68 |
| 076 ⇔ 077 | Macro à couleur contrôlable 31 | 198 ⇔ 199 | Macro de couleur automatique 69 |
| 078 ⇔ 079 | Macro à couleur contrôlable 32 | 200 ⇔ 201 | Macro de couleur automatique 70 |
| 080 ⇔ 081 | Macro à couleur contrôlable 33 | 202 ⇔ 203 | Macro de couleur automatique 71 |
| 082 ⇔ 083 | Macro à couleur contrôlable 34 | 204 ⇔ 205 | Macro de couleur automatique 72 |
| 084 ⇔ 085 | Macro à couleur contrôlable 35 | 206 ⇔ 207 | Macro de couleur automatique 73 |
| 086 ⇔ 087 | Macro à couleur contrôlable 36 | 208 ⇔ 255 | Macro de couleur automatique 74 (macro principale) |
| 088 ⇔ 135 | Macro à couleur contrôlable 37 (macro principale) | | |

Zones de zoom



Über diese Schnellanleitung

In der Schnellanleitung des COLORado PXL Bar 16 finden Sie die wesentlichen Produktinformationen, wie etwa über die Montage, Menüoptionen und DMX-Werte des Geräts. Laden Sie für weiterführende Informationen unter www.chauvetprofessional.com das Benutzerhandbuch herunter.

Haftungsausschluss

Die in dieser Anleitung aufgeführten Informationen und Spezifikationen können ohne vorherige Ankündigung geändert werden.

EINGESCHRÄNKTE GARANTIE

ZUR REGISTRIERUNG FÜR GARANTIEANSPRÜCHE UND ZUR EINSICHT IN DIE VOLLSTÄNDIGEN GESCHÄFTSBEDINGUNGEN BESUCHEN SIE BITTE UNSERE WEBSITE.

Für Kunden in den USA und in Mexiko: www.chauvetlighting.com/warranty-registration.

Für Kunden im Vereinigten Königreich, in Irland, Belgien, den Niederlanden, Luxemburg, Frankreich und Deutschland: www.chauvetlighting.eu/warranty-registration.

Chauvet garantiert für die in der auf unserer Website veröffentlichten vollständigen eingeschränkten Garantie genannten Dauer und unter Vorbehalt der darin genannten Haftungsausschlüsse und -beschränkungen, dass dieses Produkt bei normalen Gebrauch frei von Material- und Verarbeitungsfehlern ist. Diese Garantie erstreckt sich nur auf den Erstkäufer des Produkts und ist nicht übertragbar. Zur Ausübung der unter dieser Garantie gewährten Rechte ist der Kaufbeleg in Form der Originalrechnung von einem autorisierten Händler vorzulegen, in der die Produktbezeichnung und das Kaufdatum vermerkt sein müssen. **ES BESTEHEN KEINE WEITEREN AUSDRÜCKLICHEN ODER STILLSCHWEIGENDEN GARANTIEN.** Diese Garantie gibt Ihnen besondere gesetzliche Rechte. Und Sie haben möglicherweise weitere Rechte, die von Land zu Land unterschiedlich sein können. Diese Garantie ist nur in den USA, im Vereinigten Königreich, in Irland, Belgien, den Niederlanden, Luxemburg, Frankreich, Deutschland und Mexiko gültig. Bezüglich der Garantiebestimmungen in anderen Ländern wenden Sie sich bitte an Ihren lokalen Händler.

Sicherheitshinweise

- Dieses Gerät NICHT öffnen. Die eingebauten Komponenten sind für den Kunden wartungsfrei.
- Um unnötigen Verschleiß zu vermeiden und die Lebensdauer des Geräts zu verlängern, trennen Sie während längerer Perioden des Nichtgebrauchs das Gerät vom Stromnetz – entweder per Trennschalter oder durch Herausziehen des Steckers aus der Steckdose.
- Dieses Gerät darf NICHT in Wasser eingetaucht werden (IP65). Eine temporärer Verwendung dieses Geräts im Freien ist möglich.
- Dieses Geräts eignet sich nicht für eine permanente Installation im Außenbereich an Orten mit extremen Umweltbedingungen. Dies beinhaltet insbesondere:
 - Exposition gegenüber Meeres-/salzhaltigen Umgebungen (innerhalb von 5 km eines salzhaltigen Gewässers).
 - Orte, an denen die normalen Niedrigst- oder Höchsttemperaturen außerhalb des im Handbuch angegebenen Temperaturbereichs liegen.
 - Orte, die überflutet oder zugeschneit werden können.
 - Sonstige Bereiche, in denen das Produkt einer großen Strahlung oder ätzenden Substanzen ausgesetzt ist.
- NIEMALS in die Lichtquelle schauen, während das Gerät eingeschaltet ist.
- VORSICHT: Das Gehäuse dieses Produkts kann während des Betriebs heiß werden. Installieren Sie das Gerät an einem Ort mit ausreichender Belüftung und mit einem Abstand von mindestens 20 cm zu den angrenzenden Flächen.
- Belassen Sie KEINE entflammaren Materialien in einem Umkreis von 20 cm dieses Geräts, während es in Betrieb oder an der Stromversorgung angeschlossen ist.
- VORSICHT: Beim Transport des Geräts von einer Umgebung mit außergewöhnlichen Temperaturen in eine andere solche Umgebung (z. B. aus einem kalten Transporter in einen warm-feuchten Ballsaal) kann an der im Gerät enthaltenen Elektronik Wasser kondensieren. Um einen Defekt zu vermeiden, muss sich das Gerät erst in der neuen Umgebung akklimatisiert haben, bevor es an die Stromversorgung angeschlossen werden kann.
- VERWENDEN Sie bei Montage über Kopf immer ein Sicherheitsseil.
- NIEMALS das Gerät in Betrieb nehmen, wenn Ihnen das Gehäuse, die Linsen oder das Kabel beschädigt erscheinen.
- Schließen Sie dieses Gerät NICHT an einen Dimmer oder Regelwiderstand an.
- Schließen Sie dieses Produkt NUR an einen mit der Erde verbundenen und geschützten Stromkreis an.
- Das Gerät NUR an den Hänge-/Befestigungsbügeln oder Griffen tragen.
- Bei ernsthaften Betriebsproblemen stoppen Sie umgehend die Verwendung des Geräts.
- Die maximal zulässige Umgebungstemperatur beträgt 45 °C. Nehmen Sie das Gerät nicht bei höheren Temperaturen in Betrieb.
- Die Leuchte sollte so positioniert werden, dass ein langes starres Schauen in die Leuchte in einem Abstand von weniger als 3,0 m nicht zu erwarten ist.
- Ist das externe flexible Kabel dieser Leuchte beschädigt, muss es durch ein gleichwertiges Kabel oder ein ausschließlich vom Hersteller oder dessen Vertriebspartner erhältliches Kabel ersetzt werden.
- Das in dieser Leuchte enthaltene Leuchtmittel darf nur vom Hersteller oder dessen Vertriebspartner oder einer ähnlich qualifizierten Person ausgetauscht werden.
- Die Leuchte ist ausschließlich für den professionellen Einsatz bestimmt.

FCC-Konformität

Dieses Gerät erfüllt Teil 15, Teil B, der FCC-Bestimmungen. Der Betrieb ist an folgende zwei Bedingungen geknüpft:

1. Dieses Gerät darf keine schädlichen Interferenzen verursachen, und
2. Dieses Gerät muss empfangende Interferenzen aufnehmen können, auch Interferenzen, die eventuell einen unerwünschten Betrieb verursachen.

Jegliche Änderungen oder Modifikationen, die nicht ausdrücklich von der Partei genehmigt wurden, die für die Compliance zuständig ist, könnten die Berechtigung des Benutzers zum Betrieb dieses Geräts aufheben.

Kontakt

Kunden außerhalb der USA, GB, Irland, Benelux, Frankreich, Deutschland oder Mexiko wenden sich an ihren Lieferanten, um den Kundensupport in Anspruch zu nehmen oder ein Produkt zurückzuschicken. Kontaktinformationen finden Sie im [Contact Us](#) am Ende dieses QRG.

Packungsinhalt

- COLORado PXL Bar 16 mit Blendschutz
- 2 Omega-Hängebügel mit Montagematerial
- Netzkabel Seetronic Powerkon IP65
- Schnellanleitung

Wechselstrom

Dieses Gerät verfügt über ein Vorschaltgerät, das automatisch die anliegende Spannung erkennt, sobald der Netzstecker in die Schukosteckdose gesteckt wird, und kann mit einer Eingangsspannung von 100~240 V~, 50/60 Hz arbeiten.

Serienschaltung der Geräte

Sie können bis zu 3 COLORado PXL Bar 16-Geräte bei 208, 230 und 240 V in Serie schalten. Diese Anzahl niemals überschreiten! Stromkabel für die Serienschaltung können separat erworben werden.

Wechselstromstecker

| Anschluss | Draht (USA) | Draht (Europa) | Schraubenfarbe |
|--------------------------|-------------|----------------|--------------------|
| Stromführender AC-Leiter | Schwarz | Braun | Gelb/Messingfarben |
| AC-Neutralleiter | Weiß | Blau | Silber |
| AC-Erdungsleiter | Grün/Gelb | Grün/Gelb | Grün |



Um unnötigen Verschleiß zu vermeiden und die Lebensdauer des Geräts zu verlängern, trennen Sie während längerer Perioden des Nichtgebrauchs das Gerät vom Stromnetz – entweder per Trennschalter oder durch Herausziehen des Steckers aus der Steckdose.

Signalanschlüsse

Sie können den COLORado PXL Bar 16 per Ethernet mit einer Controller-Software verbinden. Werden an de mit Art-Net™ oder sACN kompatible Produkte zusammen mit dem COLORado PXL Bar 16 verwendet, können Sie jedes der Produkte innerhalb eines einzigen Netzwerks ansteuern. Informationen zum Anschließen und Konfigurieren des Produkts für diese Signale finden Sie in der Bedienungsanleitung.

Persönlichkeiten kontrollieren

Der COLORado PXL Bar 16 verwendet DMX, Art-Net™, sACN und Kling-Net für seine Kontrollpersönlichkeiten:

| Einzelsteuerung | Dual Control Bewegung | Dual Kontrollwerte Pixels |
|-----------------------------------|-----------------------------------|--|
| Basic (20 Kanäle) | Basic (8 Kanäle) | Basic (48 Kanäle) |
| Standard (84 Kanäle) | Standard (20 Kanäle) | Standard (64 Kanäle) |
| Advanced (154 Kanäle) | Advanced (26 Kanäle) | Advanced (128 Kanäle) |
| Tour (186 Kanäle) | | |
| Verwendet DMX, Art-Net™ oder sACN | Verwendet DMX, Art-Net™ oder sACN | Verwendet DMX, Art-Net™, sACN oder Kling-Net |



Im Dual Control-Modus können das Bewegungsprotokoll und das Pixels-protokoll nicht identisch sein.

DMX-Verbindung

Der COLORado PXL Bar 16 kann mit einem DMX-Controller betrieben werden, wenn eine 5-polige DMX-Serienschaltung zum Einsatz kommt. Sie können sich eine Einführung in DMX unter www.chauvetprofessional.com herunterladen.

RDM (Remote Device Management)

Remote Device Management bzw. RDM ist ein Standard, mit dem DMX-aktivierte Geräte bidirektional entlang bestehender DMX-Kabel kommunizieren können. Lesen Sie die Bedienungsanleitung des DMX-Controllers oder wenden Sie sich an den Hersteller, da nicht alle DMX-Controller über diese Funktion verfügt. Der COLORado PXL Bar 16 unterstützt das RDM-Protokoll, das ein Feedback zur Vornahme von Änderungen der Menüoptionen erlaubt. Laden Sie für weiterführende Informationen unter www.chauvetprofessional.com das Benutzerhandbuch herunter.

Art-Net™-Verbindung

Art-Net™ ist ein Ethernet-Protokoll, das mit TCP/IP eine große Menge an DMX512-Daten über ein großes Netzwerk an eine Amphenol XLR Net RJ45-Verbindung überträgt. Das Dokument des Art-Net™-Protokolls können Sie unter www.chauvetprofessional.com herunterladen. Chauvet Professional empfiehlt für beste Ergebnisse die Verwendung von unicast Art-Net™.

Art-Net™-Design und -Copyright Artistic Licence Holdings Ltd.

sACN-Verbindung

Das auch als ANSI E1.31 bekannte Streaming-ACN ist ein Ethernet-Protokoll, das auf das Layering und die Formatierung von Architecture for Control Networks zurückgreift, um DMX512-Daten "over IP" oder ein anderes mit ACN kompatibles Netzwerk übermittelt.

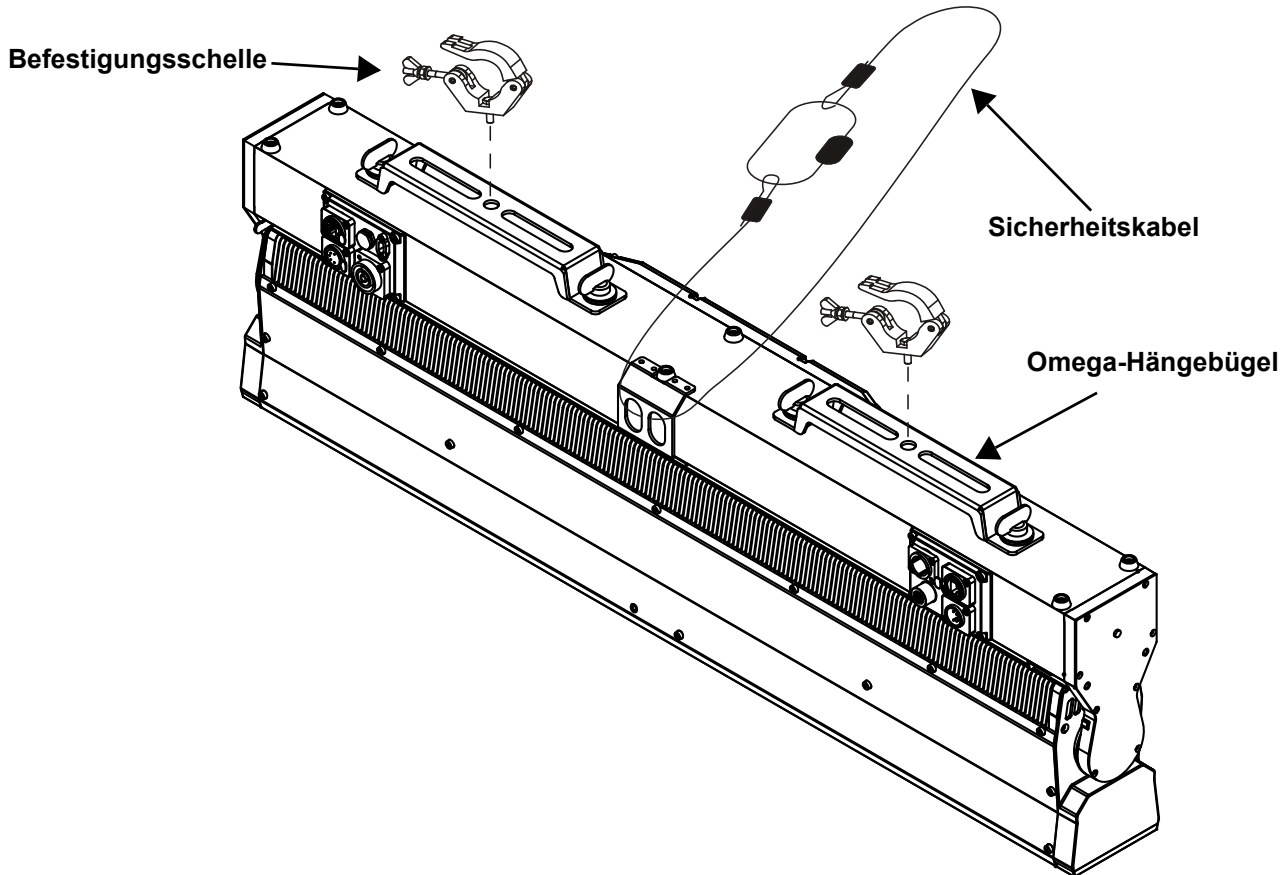
Master/Slave-Schaltung

Der COLORado PXL Bar 16 verwendet für seinen Master/Slave-Modus eine DMX-Datenverbindung. Informationen zum Anschließen und Konfigurieren des Geräts für einen Master/Slave-Betrieb finden Sie in der Bedienungsanleitung.

Montage

Lesen Sie vor der Montage dieses Geräts die [Sicherheitshinweise](#) durch. Mindestens zwei Befestigungspunkt pro Gerät verwenden. Stellen Sie sicher, dass die Befestigungsklemmen dafür ausgelegt sind, das Produktgewicht tragen zu können. Informationen zu unserer CHAUVET-Produktlinie für Befestigungsklemmen finden Sie unter <http://trusst.com/productcategory/truss-clamps/>.

Montageansicht



Beschreibung des Bedienfeldes

| Taste | Funktion |
|---------|---|
| <MENU> | Damit verlassen Sie das aktuelle Menü oder die Funktion. |
| <ENTER> | Damit wird das aktuell angezeigte Menü aktiviert oder der aktuell ausgewählte Wert einer Funktion eingestellt. |
| <UP> | Damit navigieren Sie sich durch die Menüpunkte nach oben oder erhöhen den numerischen Wert der entsprechenden Funktion. |
| <DOWN> | Damit navigieren Sie sich durch die Menüpunkte nach unten oder verringern den numerischen Wert der entsprechenden Funktion. |

Menüstruktur

Die neueste Menükarte finden Sie auf der COLORado PXL Bar 16--produktseite unter www.chauvetprofessional.com

| Programmirebenen | | | | Beschreibung | |
|------------------|----------------|---|--|--|--|
| Address | | | | Adresse Hauptebene | |
| Address | Single Control | DMX | Personality | Basic Standard Advanced Tour Legt die DMX-Persönlichkeit fest (siehe Persönlichkeiten kontrollieren) | |
| | | | Start Address | 0-512 Legt die DMX-Startadresse fest | |
| | | | ArtNet | Personality | Basic Standard Advanced Tour Legt die Art-Net™-Persönlichkeit fest (siehe Persönlichkeiten kontrollieren) |
| | | | | Start Address | 0-512 Legt die Art-Net™-Startadresse fest |
| | | Universe | | 0-255 Legt das Art-Net™-Universum fest | |
| | | sACN | Personality | Basic Standard Advanced Tour Legt die sACN-Persönlichkeit fest (siehe Persönlichkeiten kontrollieren) | |
| | | | Start Address | 0-512 Legt die sACN-Startadresse fest | |
| | | | Universe | 0-255 Legt das sACN-Universum fest | |
| | | | Dual Control | Movement | DMX |
| | Start Address | 0-512 Legt die DMX-Startadresse fest | | | |
| | ArtNet | Personality | | | |
| | | Start Address | | | 0-512 Legt die Art-Net™-Startadresse fest |
| | | Universe | | | 0-255 Legt das Art-Net™-Universum fest |
| | sACN | Personality | | | Basic Standard Advanced Legt die sACN-Persönlichkeit fest (siehe Persönlichkeiten kontrollieren) |
| | | Start Address | 0-512 Legt die sACN-Startadresse fest | | |
| Universe | | 0-255 Legt das sACN-Universum fest | | | |
| Dual Control | Pixels | DMX | Personality | Basic Standard Advanced Legt die DMX-Persönlichkeit fest (siehe Persönlichkeiten kontrollieren) | |
| | | | Start Address | 0-512 Legt die DMX-Startadresse fest | |
| | | | ArtNet | Personality | Basic Standard Advanced Legt die Art-Net™-Persönlichkeit fest (siehe Persönlichkeiten kontrollieren) |
| | | Start Address | | 0-512 Legt die Art-Net™-Startadresse fest | |
| | | Universe | | 0-255 Legt das Art-Net™-Universum fest | |
| | | sACN | Personality | Basic Standard Advanced Legt die sACN-Persönlichkeit fest (siehe Persönlichkeiten kontrollieren) | |
| | | | Start Address | 0-512 Legt die sACN-Startadresse fest | |
| | | | Universe | 0-255 Legt das sACN-Universum fest | |
| | | | KlingNet | Personality | Basic Standard Legt die Kling-Net-Persönlichkeit fest (siehe Persönlichkeiten kontrollieren) |

| Hauptlevel | Programmirebenen | | | Beschreibung | |
|------------|------------------|---|--------------------------------------|---|--|
| Run Mode | Auto Test | | | Alle Funktionen automatisch testen | |
| | Manual Test | Tilt P/T Speed Red Green Blue White CTC Color Pattern LED Macro LED Ma. Speed LED Ma. Fade Background Background Dim. Dimmer Shutter Function Zoom1 Zoom2 | 000–255 | Kontrollieren und testen Sie alle Einstellungen manuell über das Bedienfeld | |
| Setup | Network Settings | IP Mode | | Manual DHCP Static | IP-Adresse manuell einstellen Netzwerk legt die IP-Adresse fest Produkt legt die IP-Adresse fest |
| | | IP | IP Byte 1–4 | 000–255 | Legt die IP-Adresse im manuellen Modus fest |
| | | SMK | SubMask 1–4 | 000–255 | Legt Subnetzmaske im manuellen Modus fest |
| | | Tilt Reverse | NO YES | | Neigung Normal Umgekehrte Neigung |
| | Zoom Reverse | NO YES | | Zoom Normal Umgekehrter Zoom | |
| | Screen Reverse | NO YES AUTO | | Normale Anzeige Umgekehrte Anzeige Automatische Anzeigerichtung | |
| | | Tilt Angle | 200 180 60 | | Neigungsbereich 200° Neigungsbereich 180° Neigungsbereich 60° |
| | | | BL. O. P/T Move | NO YES | |
| | Backlight Timer | | | 30S 1M 5M ON | |
| | | Loss of Data | Hold Close | | Hält das zuletzt erhaltene Signal Verdunkelt Gerät |
| | | | Fans | Auto Full ECO | |
| | | Defrost Fan | | OFF ON | |
| | C Mixing Mode | | | RGBW CMY | |
| | | Dimmer Curve | Linear Square I Squa SCurve | | Stellt die Dimmungskurve ein |

| Hauptlevel | Programmirebenen | | Beschreibung | |
|-------------------------|-------------------------|--|---|--|
| Setup | Dimmer Speed | Smooth Fast | Stellt die Dimmungsgeschwindigkeit ein | |
| | PWM Option | 600Hz 1200Hz 2000Hz 4000Hz 6000Hz 15000Hz | Legt die Frequenz der Puls-Weiten-Modulation fest | |
| | Cell Order | 1–16 | | Licht wird aktiviert von links nach rechts |
| | | 16–1 | | Licht wird aktiviert von rechts nach links |
| | Calibrated White | ON | | Standard-Ausgangstemperatur des Lichts eingestellt auf 7500 K |
| | | OFF | | Deaktiviert Einstellung für kalibriertes Weiß |
| | | Custom | | Passen Sie die Lichtausgangstemperatur mit dem Weißabgleich an |
| | White Balance | Red | 000–255 | Stellt den maximalen Wert der roten LED ein |
| | | Green | | Stellt den maximalen Wert der grünen LED ein |
| | | Blue | | Stellt den maximalen Wert der blauen LED ein |
| | | White | | Stellt den maximalen Wert der weißen LED ein |
| | Preset Select | PRESET A PRESET B PRESET C | Aufgezeichnete Voreinstellungs-Menüoptionen | |
| | Preset Sync | NO | | Ermöglicht die Übermittlung aufgezeichneter Voreinstellungs-Menüoptionen an andere COLORado PXL Bar 16-Geräte in der DMX-Serienschaltung |
| | | YES | | |
| USB Update | NO | | Aktiviert / deaktiviert die Aktualisierung über USB | |
| | YES | | | |
| Reset Function | Tilt | NO | Setzt einzelne oder alle Funktionen ab Start zurück | |
| | | YES | | |
| | Zoom | NO | | |
| | | YES | | |
| All | NO | | | |
| | YES | | | |
| Factory Settings | NO | | Setzt auf die standardmäßigen Werkseinstellungen zurück | |
| | YES | | | |
| Information | Firmware Version | | V_ | Zeigt die Firmware-Version an |
| | Running Mode | | --- | Zeigt den aktuellen Betriebsmodus an |
| | Address | | --- | Zeigt die aktuelle DMX-Startadresse an |
| | Temperature | | --- | Zeigt die aktuelle Temperatur des Geräts in °C an |
| | Fixture Time | | ----- | Zeigt an, wie lange das Gerät eingeschaltet gewesen ist |
| | LED Hours | | ----- | Zeigt die Gesamtstunden an, in denen die LED eingeschaltet wurde |
| | ArtNet Info | Ip | ----- | Zeigt die aktuelle IP-Adresse an |
| | | SubMask | ----- | Zeigt die aktuelle Subnetzmaske an |
| | | MAC | ----- | Zeigt die aktuelle MAC-Adresse an |
| | Device UID | | ----- | Zeigt die Produkt-UID an |
| | Fan Information | Head Fan 1–10 | ----- | Zeigt die Drehzahl der Kopflüfter in U/min an |
| Defrost Fan 1–2 | | ----- | Zeigt Drehzahl des Abtaulüfters in U/min an | |
| Base Fan 1–2 | | ----- | Zeigt die Drehzahl des Basislüfters in U/min an | |

DMX-Werte

Single Control: Tourmodus (186CH)

| Kanal | Funktion | Wert | Prozent/Einstellung | |
|-------|---|------------------|---|--|
| 1 | Neigung | 000 ⇔ 255 | 0–100% | |
| 2 | Neigung fein | 000 ⇔ 255 | 0–100% | |
| 3 | Neigungsgeschwindigkeit | 000 ⇔ 255 | 0–100% | |
| 4 | CTC | 000 | Kein Funktion | |
| | | 001 ⇔ 255 | Farbtemperatur, 1900–2700 K | |
| 5 | Farbe | 000 ⇔ 255 | siehe Farbkarte | |
| 6 | Muster (siehe Muster) | 000 | Kein Funktion | |
| | | 001 ⇔ 255 | Muster 1–255 | |
| 7 | LED Makro | 000 ⇔ 255 | siehe LED Makro | |
| 8 | LED Makrogeschwindigkeit | 000 ⇔ 127 | Auto-Geschwindigkeit, schnell bis langsam | |
| | | 128 | Halt | |
| | | 129 ⇔ 255 | Auto-Geschwindigkeit, langsam bis schnell | |
| 9 | LED eingebaute Verzögerung | 000 ⇔ 255 | Schnell bis langsam | |
| 10 | Hintergrundfarbe | 000 ⇔ 255 | siehe Farbkarte | |
| 11 | Hintergrunddimmer | 000 ⇔ 255 | 0–100% | |
| 12 | Hintergrund feiner Dimmer | 000 ⇔ 255 | 0–100% | |
| 13 | Hauptdimmer | 000 ⇔ 255 | 0–100% | |
| 14 | Haupt feiner dimmer | 000 ⇔ 255 | 0–100% | |
| 15 | Strobe | 000 ⇔ 255 | siehe Blitzeinstellungen | |
| 16 | Zoomen 1 (siehe Zoomzonen) | 000 ⇔ 255 | Breit bis schmal (Zone 1) | |
| 17 | Zoomen 2 (siehe Zoomzonen) | 000 ⇔ 255 | Breit bis schmal (Zone 2) | |
| 18 | Steuerung | 000 ⇔ 255 | siehe Steuerungseinstellungen | |
| 19 | Hauptrot | 000 ⇔ 255 | RGBW-Modus: 0–100% / CMY-Modus: 100–0% | |
| 20 | Hauptfeines rot | 000 ⇔ 255 | RGBW-Modus: 0–100% / CMY-Modus: 100–0% | |
| 21 | Hauptgrün | 000 ⇔ 255 | RGBW-Modus: 0–100% / CMY-Modus: 100–0% | |
| 22 | Hauptfeines grün | 000 ⇔ 255 | RGBW-Modus: 0–100% / CMY-Modus: 100–0% | |
| 23 | Hauptblau | 000 ⇔ 255 | RGBW-Modus: 0–100% / CMY-Modus: 100–0% | |
| 24 | Hauptfeines Blau | 000 ⇔ 255 | RGBW-Modus: 0–100% / CMY-Modus: 100–0% | |
| 25 | Hauptweiß | 000 ⇔ 255 | RGBW-Modus: 0–100% / CMY-Modus: 100–0% | |
| 26 | Haupt feines Weiß | 000 ⇔ 255 | RGBW-Modus: 0–100% / CMY-Modus: 100–0% | |
| 27 | Dimmer 1 | 000 ⇔ 255 | 0–100% | |
| 28 | Feiner dimmer 1 | 000 ⇔ 255 | 0–100% | |
| 29 | Rot 1 | Cyan 1 | 000 ⇔ 255 | RGBW-Modus: 0–100% / CMY-Modus: 100–0% |
| 30 | Feines rot 1 | Feines cyan 1 | 000 ⇔ 255 | RGBW-Modus: 0–100% / CMY-Modus: 100–0% |
| 31 | Grün 1 | Magenta 1 | 000 ⇔ 255 | RGBW-Modus: 0–100% / CMY-Modus: 100–0% |
| 32 | Feines grün 1 | Feines magenta 1 | 000 ⇔ 255 | RGBW-Modus: 0–100% / CMY-Modus: 100–0% |
| 33 | Blau 1 | Gelb 1 | 000 ⇔ 255 | RGBW-Modus: 0–100% / CMY-Modus: 100–0% |
| 34 | Feines blau 1 | Feines gelb 1 | 000 ⇔ 255 | RGBW-Modus: 0–100% / CMY-Modus: 100–0% |
| 35 | Weiß 1 | | 000 ⇔ 255 | RGBW-Modus: 0–100% / CMY-Modus: 100–0% |
| 36 | Feines weiß 1 | | 000 ⇔ 255 | RGBW-Modus: 0–100% / CMY-Modus: 100–0% |
| 37 | Dimmer 2 | | 000 ⇔ 255 | 0–100% |
| 38 | Feiner dimmer 2 | | 000 ⇔ 255 | 0–100% |
| 39 | Rot 2 | Cyan 2 | 000 ⇔ 255 | RGBW-Modus: 0–100% / CMY-Modus: 100–0% |
| 40 | Feines rot 2 | Feines cyan 2 | 000 ⇔ 255 | RGBW-Modus: 0–100% / CMY-Modus: 100–0% |
| 41 | Grün 2 | Magenta 2 | 000 ⇔ 255 | RGBW-Modus: 0–100% / CMY-Modus: 100–0% |
| 42 | Feines grün 2 | Feines magenta 2 | 000 ⇔ 255 | RGBW-Modus: 0–100% / CMY-Modus: 100–0% |
| 43 | Blau 2 | Gelb 2 | 000 ⇔ 255 | RGBW-Modus: 0–100% / CMY-Modus: 100–0% |
| 44 | Feines blau 2 | Feines gelb 2 | 000 ⇔ 255 | RGBW-Modus: 0–100% / CMY-Modus: 100–0% |
| 45 | Weiß 2 | | 000 ⇔ 255 | RGBW-Modus: 0–100% / CMY-Modus: 100–0% |

| Kanal | Funktion | Wert | Prozent/Einstellung |
|-------|---|-----------|--|
| 46 | Feines weiß 2 | 000 ⇔ 255 | RGBW-Modus: 0–100% / CMY-Modus: 100–0% |
| 47 | Dimmer 3 | 000 ⇔ 255 | 0–100% |
| 48 | Feiner dimmer 3 | 000 ⇔ 255 | 0–100% |
| 49 | Rot 3 Cyan 3 | 000 ⇔ 255 | RGBW-Modus: 0–100% / CMY-Modus: 100–0% |
| 50 | Feines rot 3 Feines cyan 3 | 000 ⇔ 255 | RGBW-Modus: 0–100% / CMY-Modus: 100–0% |
| 51 | Grün 3 Magenta 3 | 000 ⇔ 255 | RGBW-Modus: 0–100% / CMY-Modus: 100–0% |
| 52 | Feines grün 3 Feines magenta 3 | 000 ⇔ 255 | RGBW-Modus: 0–100% / CMY-Modus: 100–0% |
| 53 | Blau 3 Gelb 3 | 000 ⇔ 255 | RGBW-Modus: 0–100% / CMY-Modus: 100–0% |
| 54 | Feines blau 3 Feines gelb 3 | 000 ⇔ 255 | RGBW-Modus: 0–100% / CMY-Modus: 100–0% |
| 55 | Weiß 3 | 000 ⇔ 255 | RGBW-Modus: 0–100% / CMY-Modus: 100–0% |
| 56 | Feines weiß 3 | 000 ⇔ 255 | RGBW-Modus: 0–100% / CMY-Modus: 100–0% |
| 57 | Dimmer 4 | 000 ⇔ 255 | 0–100% |
| 58 | Feiner dimmer 4 | 000 ⇔ 255 | 0–100% |
| 59 | Rot 4 Cyan 4 | 000 ⇔ 255 | RGBW-Modus: 0–100% / CMY-Modus: 100–0% |
| 60 | Feines rot 4 Feines cyan 4 | 000 ⇔ 255 | RGBW-Modus: 0–100% / CMY-Modus: 100–0% |
| 61 | Grün 4 Magenta 4 | 000 ⇔ 255 | RGBW-Modus: 0–100% / CMY-Modus: 100–0% |
| 62 | Feines grün 4 Feines magenta 4 | 000 ⇔ 255 | RGBW-Modus: 0–100% / CMY-Modus: 100–0% |
| 63 | Blau 4 Gelb 4 | 000 ⇔ 255 | RGBW-Modus: 0–100% / CMY-Modus: 100–0% |
| 64 | Feines blau 4 Feines gelb 4 | 000 ⇔ 255 | RGBW-Modus: 0–100% / CMY-Modus: 100–0% |
| 65 | Weiß 4 | 000 ⇔ 255 | RGBW-Modus: 0–100% / CMY-Modus: 100–0% |
| 66 | Feines weiß 4 | 000 ⇔ 255 | RGBW-Modus: 0–100% / CMY-Modus: 100–0% |
| 67 | Dimmer 5 | 000 ⇔ 255 | 0–100% |
| 68 | Feiner dimmer 5 | 000 ⇔ 255 | 0–100% |
| 69 | Rot 5 Cyan 5 | 000 ⇔ 255 | RGBW-Modus: 0–100% / CMY-Modus: 100–0% |
| 70 | Feines rot 5 Feines cyan 5 | 000 ⇔ 255 | RGBW-Modus: 0–100% / CMY-Modus: 100–0% |
| 71 | Grün 5 Magenta 5 | 000 ⇔ 255 | RGBW-Modus: 0–100% / CMY-Modus: 100–0% |
| 72 | Feines grün 5 Feines magenta 5 | 000 ⇔ 255 | RGBW-Modus: 0–100% / CMY-Modus: 100–0% |
| 73 | Blau 5 Gelb 5 | 000 ⇔ 255 | RGBW-Modus: 0–100% / CMY-Modus: 100–0% |
| 74 | Feines blau 5 Feines gelb 5 | 000 ⇔ 255 | RGBW-Modus: 0–100% / CMY-Modus: 100–0% |
| 75 | Weiß 5 | 000 ⇔ 255 | RGBW-Modus: 0–100% / CMY-Modus: 100–0% |
| 76 | Feines weiß 5 | 000 ⇔ 255 | RGBW-Modus: 0–100% / CMY-Modus: 100–0% |
| 77 | Dimmer 6 | 000 ⇔ 255 | 0–100% |
| 78 | Feiner dimmer 6 | 000 ⇔ 255 | 0–100% |
| 79 | Rot 6 Cyan 6 | 000 ⇔ 255 | RGBW-Modus: 0–100% / CMY-Modus: 100–0% |
| 80 | Feines rot 6 Feines cyan 6 | 000 ⇔ 255 | RGBW-Modus: 0–100% / CMY-Modus: 100–0% |
| 81 | Grün 6 Magenta 6 | 000 ⇔ 255 | RGBW-Modus: 0–100% / CMY-Modus: 100–0% |
| 82 | Feines grün 6 Feines magenta 6 | 000 ⇔ 255 | RGBW-Modus: 0–100% / CMY-Modus: 100–0% |
| 83 | Blau 6 Gelb 6 | 000 ⇔ 255 | RGBW-Modus: 0–100% / CMY-Modus: 100–0% |
| 84 | Feines blau 6 Feines gelb 6 | 000 ⇔ 255 | RGBW-Modus: 0–100% / CMY-Modus: 100–0% |
| 85 | Weiß 6 | 000 ⇔ 255 | RGBW-Modus: 0–100% / CMY-Modus: 100–0% |
| 86 | Feines weiß 6 | 000 ⇔ 255 | RGBW-Modus: 0–100% / CMY-Modus: 100–0% |
| 87 | Dimmer 7 | 000 ⇔ 255 | 0–100% |
| 88 | Feiner dimmer 7 | 000 ⇔ 255 | 0–100% |
| 89 | Rot 7 Cyan 7 | 000 ⇔ 255 | RGBW-Modus: 0–100% / CMY-Modus: 100–0% |
| 90 | Feines rot 7 Feines cyan 7 | 000 ⇔ 255 | RGBW-Modus: 0–100% / CMY-Modus: 100–0% |
| 91 | Grün 7 Magenta 7 | 000 ⇔ 255 | RGBW-Modus: 0–100% / CMY-Modus: 100–0% |
| 92 | Feines grün 7 Feines magenta 7 | 000 ⇔ 255 | RGBW-Modus: 0–100% / CMY-Modus: 100–0% |
| 93 | Blau 7 Gelb 7 | 000 ⇔ 255 | RGBW-Modus: 0–100% / CMY-Modus: 100–0% |
| 94 | Feines blau 7 Feines gelb 7 | 000 ⇔ 255 | RGBW-Modus: 0–100% / CMY-Modus: 100–0% |
| 95 | Weiß 7 | 000 ⇔ 255 | RGBW-Modus: 0–100% / CMY-Modus: 100–0% |
| 96 | Feines weiß 7 | 000 ⇔ 255 | RGBW-Modus: 0–100% / CMY-Modus: 100–0% |

| Kanal | Funktion | Wert | Prozent/Einstellung |
|-------|-----------------------------------|-----------|--|
| 97 | Dimmer 8 | 000 ⇔ 255 | 0–100% |
| 98 | Feiner dimmer 8 | 000 ⇔ 255 | 0–100% |
| 99 | Rot 8 Cyan 8 | 000 ⇔ 255 | RGBW-Modus: 0–100% / CMY-Modus: 100–0% |
| 100 | Feines rot 8 Feines cyan 8 | 000 ⇔ 255 | RGBW-Modus: 0–100% / CMY-Modus: 100–0% |
| 101 | Grün 8 Magenta 8 | 000 ⇔ 255 | RGBW-Modus: 0–100% / CMY-Modus: 100–0% |
| 102 | Feines grün 8 Feines magenta 8 | 000 ⇔ 255 | RGBW-Modus: 0–100% / CMY-Modus: 100–0% |
| 103 | Blau 8 Gelb 8 | 000 ⇔ 255 | RGBW-Modus: 0–100% / CMY-Modus: 100–0% |
| 104 | Feines blau 8 Feines gelb 8 | 000 ⇔ 255 | RGBW-Modus: 0–100% / CMY-Modus: 100–0% |
| 105 | Weiß 8 | 000 ⇔ 255 | RGBW-Modus: 0–100% / CMY-Modus: 100–0% |
| 106 | Feines weiß 8 | 000 ⇔ 255 | RGBW-Modus: 0–100% / CMY-Modus: 100–0% |
| 107 | Dimmer 9 | 000 ⇔ 255 | 0–100% |
| 108 | Feiner dimmer 9 | 000 ⇔ 255 | 0–100% |
| 109 | Rot 9 Cyan 9 | 000 ⇔ 255 | RGBW-Modus: 0–100% / CMY-Modus: 100–0% |
| 110 | Feines rot 9 Feines cyan 9 | 000 ⇔ 255 | RGBW-Modus: 0–100% / CMY-Modus: 100–0% |
| 111 | Grün 9 Magenta 9 | 000 ⇔ 255 | RGBW-Modus: 0–100% / CMY-Modus: 100–0% |
| 112 | Feines grün 9 Feines magenta 9 | 000 ⇔ 255 | RGBW-Modus: 0–100% / CMY-Modus: 100–0% |
| 113 | Blau 9 Gelb 9 | 000 ⇔ 255 | RGBW-Modus: 0–100% / CMY-Modus: 100–0% |
| 114 | Feines blau 9 Feines gelb 9 | 000 ⇔ 255 | RGBW-Modus: 0–100% / CMY-Modus: 100–0% |
| 115 | Weiß 9 | 000 ⇔ 255 | RGBW-Modus: 0–100% / CMY-Modus: 100–0% |
| 116 | Feines weiß 9 | 000 ⇔ 255 | RGBW-Modus: 0–100% / CMY-Modus: 100–0% |
| 117 | Dimmer 10 | 000 ⇔ 255 | 0–100% |
| 118 | Feiner dimmer 10 | 000 ⇔ 255 | 0–100% |
| 119 | Rot 10 Cyan 10 | 000 ⇔ 255 | RGBW-Modus: 0–100% / CMY-Modus: 100–0% |
| 120 | Feines rot 10 Feines cyan 10 | 000 ⇔ 255 | RGBW-Modus: 0–100% / CMY-Modus: 100–0% |
| 121 | Grün 10 Magenta 10 | 000 ⇔ 255 | RGBW-Modus: 0–100% / CMY-Modus: 100–0% |
| 122 | Feines grün 10 Feines magenta 10 | 000 ⇔ 255 | RGBW-Modus: 0–100% / CMY-Modus: 100–0% |
| 123 | Blau 10 Gelb 10 | 000 ⇔ 255 | RGBW-Modus: 0–100% / CMY-Modus: 100–0% |
| 124 | Feines blau 10 Feines gelb 10 | 000 ⇔ 255 | RGBW-Modus: 0–100% / CMY-Modus: 100–0% |
| 125 | Weiß 10 | 000 ⇔ 255 | RGBW-Modus: 0–100% / CMY-Modus: 100–0% |
| 126 | Feines weiß 10 | 000 ⇔ 255 | RGBW-Modus: 0–100% / CMY-Modus: 100–0% |
| 127 | Dimmer 11 | 000 ⇔ 255 | 0–100% |
| 128 | Feiner dimmer 11 | 000 ⇔ 255 | 0–100% |
| 129 | Rot 11 Cyan 11 | 000 ⇔ 255 | RGBW-Modus: 0–100% / CMY-Modus: 100–0% |
| 130 | Feines rot 11 Feines cyan 11 | 000 ⇔ 255 | RGBW-Modus: 0–100% / CMY-Modus: 100–0% |
| 131 | Grün 11 Magenta 11 | 000 ⇔ 255 | RGBW-Modus: 0–100% / CMY-Modus: 100–0% |
| 132 | Feines grün 11 Feines magenta 11 | 000 ⇔ 255 | RGBW-Modus: 0–100% / CMY-Modus: 100–0% |
| 133 | Blau 11 Gelb 11 | 000 ⇔ 255 | RGBW-Modus: 0–100% / CMY-Modus: 100–0% |
| 134 | Feines blau 11 Feines gelb 11 | 000 ⇔ 255 | RGBW-Modus: 0–100% / CMY-Modus: 100–0% |
| 135 | Weiß 11 | 000 ⇔ 255 | RGBW-Modus: 0–100% / CMY-Modus: 100–0% |
| 136 | Feines weiß 11 | 000 ⇔ 255 | RGBW-Modus: 0–100% / CMY-Modus: 100–0% |
| 137 | Dimmer 12 | 000 ⇔ 255 | 0–100% |
| 138 | Feiner dimmer 12 | 000 ⇔ 255 | 0–100% |
| 139 | Rot 12 Cyan 12 | 000 ⇔ 255 | RGBW-Modus: 0–100% / CMY-Modus: 100–0% |
| 140 | Feines rot 12 Feines cyan 12 | 000 ⇔ 255 | RGBW-Modus: 0–100% / CMY-Modus: 100–0% |
| 141 | Grün 12 Magenta 12 | 000 ⇔ 255 | RGBW-Modus: 0–100% / CMY-Modus: 100–0% |
| 142 | Feines grün 12 Feines magenta 12 | 000 ⇔ 255 | RGBW-Modus: 0–100% / CMY-Modus: 100–0% |
| 143 | Blau 12 Gelb 12 | 000 ⇔ 255 | RGBW-Modus: 0–100% / CMY-Modus: 100–0% |
| 144 | Feines blau 12 Feines gelb 12 | 000 ⇔ 255 | RGBW-Modus: 0–100% / CMY-Modus: 100–0% |
| 145 | Weiß 12 | 000 ⇔ 255 | RGBW-Modus: 0–100% / CMY-Modus: 100–0% |
| 146 | Feines weiß 12 | 000 ⇔ 255 | RGBW-Modus: 0–100% / CMY-Modus: 100–0% |

| Kanal | Funktion | Wert | Prozent/Einstellung |
|-------|------------------------------------|-----------|--|
| 147 | Dimmer 13 | 000 ⇔ 255 | 0–100% |
| 148 | Feiner dimmer 13 | 000 ⇔ 255 | 0–100% |
| 149 | Rot 13 Cyan 13 | 000 ⇔ 255 | RGBW-Modus: 0–100% / CMY-Modus: 100–0% |
| 150 | Feines rot 13 Feines cyan 13 | 000 ⇔ 255 | RGBW-Modus: 0–100% / CMY-Modus: 100–0% |
| 151 | Grün 13 Magenta 13 | 000 ⇔ 255 | RGBW-Modus: 0–100% / CMY-Modus: 100–0% |
| 152 | Feines grün 13 Feines magenta 13 | 000 ⇔ 255 | RGBW-Modus: 0–100% / CMY-Modus: 100–0% |
| 153 | Blau 13 Gelb 13 | 000 ⇔ 255 | RGBW-Modus: 0–100% / CMY-Modus: 100–0% |
| 154 | Feines blau 13 Feines gelb 13 | 000 ⇔ 255 | RGBW-Modus: 0–100% / CMY-Modus: 100–0% |
| 155 | Weiß 13 | 000 ⇔ 255 | RGBW-Modus: 0–100% / CMY-Modus: 100–0% |
| 156 | Feines weiß 13 | 000 ⇔ 255 | RGBW-Modus: 0–100% / CMY-Modus: 100–0% |
| 157 | Dimmer 14 | 000 ⇔ 255 | 0–100% |
| 158 | Feiner dimmer 14 | 000 ⇔ 255 | 0–100% |
| 159 | Rot 14 Cyan 14 | 000 ⇔ 255 | RGBW-Modus: 0–100% / CMY-Modus: 100–0% |
| 160 | Feines rot 14 Feines cyan 14 | 000 ⇔ 255 | RGBW-Modus: 0–100% / CMY-Modus: 100–0% |
| 161 | Grün 14 Magenta 14 | 000 ⇔ 255 | RGBW-Modus: 0–100% / CMY-Modus: 100–0% |
| 162 | Feines grün 14 Feines magenta 14 | 000 ⇔ 255 | RGBW-Modus: 0–100% / CMY-Modus: 100–0% |
| 163 | Blau 14 Gelb 14 | 000 ⇔ 255 | RGBW-Modus: 0–100% / CMY-Modus: 100–0% |
| 164 | Feines blau 14 Feines gelb 14 | 000 ⇔ 255 | RGBW-Modus: 0–100% / CMY-Modus: 100–0% |
| 165 | Weiß 14 | 000 ⇔ 255 | RGBW-Modus: 0–100% / CMY-Modus: 100–0% |
| 166 | Feines weiß 14 | 000 ⇔ 255 | RGBW-Modus: 0–100% / CMY-Modus: 100–0% |
| 167 | Dimmer 15 | 000 ⇔ 255 | 0–100% |
| 168 | Feiner dimmer 15 | 000 ⇔ 255 | 0–100% |
| 169 | Rot 15 Cyan 15 | 000 ⇔ 255 | RGBW-Modus: 0–100% / CMY-Modus: 100–0% |
| 170 | Feines rot 15 Feines cyan 15 | 000 ⇔ 255 | RGBW-Modus: 0–100% / CMY-Modus: 100–0% |
| 171 | Grün 15 Magenta 15 | 000 ⇔ 255 | RGBW-Modus: 0–100% / CMY-Modus: 100–0% |
| 172 | Feines grün 15 Feines magenta 15 | 000 ⇔ 255 | RGBW-Modus: 0–100% / CMY-Modus: 100–0% |
| 173 | Blau 15 Gelb 15 | 000 ⇔ 255 | RGBW-Modus: 0–100% / CMY-Modus: 100–0% |
| 174 | Feines blau 15 Feines gelb 15 | 000 ⇔ 255 | RGBW-Modus: 0–100% / CMY-Modus: 100–0% |
| 175 | Weiß 15 | 000 ⇔ 255 | RGBW-Modus: 0–100% / CMY-Modus: 100–0% |
| 176 | Feines weiß 15 | 000 ⇔ 255 | RGBW-Modus: 0–100% / CMY-Modus: 100–0% |
| 177 | Dimmer 16 | 000 ⇔ 255 | 0–100% |
| 178 | Feiner dimmer 16 | 000 ⇔ 255 | 0–100% |
| 179 | Rot 16 Cyan 16 | 000 ⇔ 255 | RGBW-Modus: 0–100% / CMY-Modus: 100–0% |
| 180 | Feines rot 16 Feines cyan 16 | 000 ⇔ 255 | RGBW-Modus: 0–100% / CMY-Modus: 100–0% |
| 181 | Grün 16 Magenta 16 | 000 ⇔ 255 | RGBW-Modus: 0–100% / CMY-Modus: 100–0% |
| 182 | Feines grün 16 Feines magenta 16 | 000 ⇔ 255 | RGBW-Modus: 0–100% / CMY-Modus: 100–0% |
| 183 | Blau 16 Gelb 16 | 000 ⇔ 255 | RGBW-Modus: 0–100% / CMY-Modus: 100–0% |
| 184 | Feines blau 16 Feines gelb 16 | 000 ⇔ 255 | RGBW-Modus: 0–100% / CMY-Modus: 100–0% |
| 185 | Weiß 16 | 000 ⇔ 255 | RGBW-Modus: 0–100% / CMY-Modus: 100–0% |
| 186 | Feines weiß 16 | 000 ⇔ 255 | RGBW-Modus: 0–100% / CMY-Modus: 100–0% |

Single Control: Advanced-modus (154CH)

| Kanal | Funktion | Wert | Prozent/Einstellung |
|-------|---|-------------------------------|--|
| 1 | Neigung | 000 ⇔ 255 | 0–100% |
| 2 | Neigung fein | 000 ⇔ 255 | 0–100% |
| 3 | Neigungsgeschwindigkeit | 000 ⇔ 255 | 0–100% |
| 4 | CTC | 000 001 ⇔ 255 | Kein Funktion Farbtemperatur, 1900–2700 K |
| 5 | Farbe | 000 ⇔ 2 55 | siehe Farbkarte |
| 6 | Muster (siehe Muster) | 000 001 ⇔ 255 | Kein Funktion Muster 1–255 |
| 7 | LED Makro | 000 ⇔ 255 | siehe LED Makro |
| 8 | LED Makrogeschwindigkeit | 000 ⇔ 127 128 129 ⇔ 255 | Auto-Geschwindigkeit, schnell bis langsam Halt Auto-Geschwindigkeit, langsam bis schnell |
| 9 | LED eingebaute Verzögerung | 000 ⇔ 255 | Schnell bis langsam |
| 10 | Hintergrundfarbe | 000 ⇔ 255 | siehe Farbkarte |
| 11 | Hintergrunddimmer | 000 ⇔ 255 | 0–100% |
| 12 | Hintergrund feiner Dimmer | 000 ⇔ 255 | 0–100% |
| 13 | Hauptdimmer | 000 ⇔ 255 | 0–100% |
| 14 | Haupt feiner dimmer | 000 ⇔ 255 | 0–100% |
| 15 | Strobe | 000 ⇔ 255 | siehe Blitzeinstellungen |
| 16 | Zoomen 1 (siehe Zoomzonen) | 000 ⇔ 255 | Breit bis schmal (Zone 1) |
| 17 | Zoomen 2 (siehe Zoomzonen) | 000 ⇔ 255 | Breit bis schmal (Zone 2) |
| 18 | Steuerung | 000 ⇔ 255 | siehe Steuerungseinstellungen |
| 19 | Hauptrot | 000 ⇔ 255 | RGBW-Modus: 0–100% / CMY-Modus: 100–0% |
| 20 | Hauptfeines rot | 000 ⇔ 255 | RGBW-Modus: 0–100% / CMY-Modus: 100–0% |
| 21 | Hauptgrün | 000 ⇔ 255 | RGBW-Modus: 0–100% / CMY-Modus: 100–0% |
| 22 | Hauptfeines grün | 000 ⇔ 255 | RGBW-Modus: 0–100% / CMY-Modus: 100–0% |
| 23 | Hauptblau | 000 ⇔ 255 | RGBW-Modus: 0–100% / CMY-Modus: 100–0% |
| 24 | Hauptfeines Blau | 000 ⇔ 255 | RGBW-Modus: 0–100% / CMY-Modus: 100–0% |
| 25 | Hauptweiß | 000 ⇔ 255 | RGBW-Modus: 0–100% / CMY-Modus: 100–0% |
| 26 | Haupt feines Weiß | 000 ⇔ 255 | RGBW-Modus: 0–100% / CMY-Modus: 100–0% |
| 27 | Rot 1 | Cyan 1 | 000 ⇔ 255 |
| 28 | Feines rot 1 | Feines cyan 1 | 000 ⇔ 255 |
| 29 | Grün 1 | Magenta 1 | 000 ⇔ 255 |
| 30 | Feines grün 1 | Feines magenta 1 | 000 ⇔ 255 |
| 31 | Blau 1 | Gelb 1 | 000 ⇔ 255 |
| 32 | Feines blau 1 | Feines gelb 1 | 000 ⇔ 255 |
| 33 | Weiß 1 | | 000 ⇔ 255 |
| 34 | Feines weiß 1 | | 000 ⇔ 255 |
| 35 | Rot 2 | Cyan 2 | 000 ⇔ 255 |
| 36 | Feines rot 2 | Feines cyan 2 | 000 ⇔ 255 |
| 37 | Grün 2 | Magenta 2 | 000 ⇔ 255 |
| 38 | Feines grün 2 | Feines magenta 2 | 000 ⇔ 255 |
| 39 | Blau 2 | Gelb 2 | 000 ⇔ 255 |
| 40 | Feines blau 2 | Feines gelb 2 | 000 ⇔ 255 |
| 41 | Weiß 2 | | 000 ⇔ 255 |
| 42 | Feines weiß 2 | | 000 ⇔ 255 |
| 43 | Rot 3 | Cyan 3 | 000 ⇔ 255 |
| 44 | Feines rot 3 | Feines cyan 3 | 000 ⇔ 255 |
| 45 | Grün 3 | Magenta 3 | 000 ⇔ 255 |
| 46 | Feines grün 3 | Feines magenta 3 | 000 ⇔ 255 |

| Kanal | Funktion | | Wert | Prozent/Einstellung |
|-------|---------------|------------------|-----------|--|
| 47 | Blau 3 | Gelb 3 | 000 ⇔ 255 | RGBW-Modus: 0–100% / CMY-Modus: 100–0% |
| 48 | Feines blau 3 | Feines gelb 3 | 000 ⇔ 255 | RGBW-Modus: 0–100% / CMY-Modus: 100–0% |
| 49 | Weiß 3 | | 000 ⇔ 255 | RGBW-Modus: 0–100% / CMY-Modus: 100–0% |
| 50 | Feines weiß 3 | | 000 ⇔ 255 | RGBW-Modus: 0–100% / CMY-Modus: 100–0% |
| 51 | Rot 4 | Cyan 4 | 000 ⇔ 255 | RGBW-Modus: 0–100% / CMY-Modus: 100–0% |
| 52 | Feines rot 4 | Feines cyan 4 | 000 ⇔ 255 | RGBW-Modus: 0–100% / CMY-Modus: 100–0% |
| 53 | Grün 4 | Magenta 4 | 000 ⇔ 255 | RGBW-Modus: 0–100% / CMY-Modus: 100–0% |
| 54 | Feines grün 4 | Feines magenta 4 | 000 ⇔ 255 | RGBW-Modus: 0–100% / CMY-Modus: 100–0% |
| 55 | Blau 4 | Gelb 4 | 000 ⇔ 255 | RGBW-Modus: 0–100% / CMY-Modus: 100–0% |
| 56 | Feines blau 4 | Feines gelb 4 | 000 ⇔ 255 | RGBW-Modus: 0–100% / CMY-Modus: 100–0% |
| 57 | Weiß 4 | | 000 ⇔ 255 | RGBW-Modus: 0–100% / CMY-Modus: 100–0% |
| 58 | Feines weiß 4 | | 000 ⇔ 255 | RGBW-Modus: 0–100% / CMY-Modus: 100–0% |
| 59 | Rot 5 | Cyan 5 | 000 ⇔ 255 | RGBW-Modus: 0–100% / CMY-Modus: 100–0% |
| 60 | Feines rot 5 | Feines cyan 5 | 000 ⇔ 255 | RGBW-Modus: 0–100% / CMY-Modus: 100–0% |
| 61 | Grün 5 | Magenta 5 | 000 ⇔ 255 | RGBW-Modus: 0–100% / CMY-Modus: 100–0% |
| 62 | Feines grün 5 | Feines magenta 5 | 000 ⇔ 255 | RGBW-Modus: 0–100% / CMY-Modus: 100–0% |
| 63 | Blau 5 | Gelb 5 | 000 ⇔ 255 | RGBW-Modus: 0–100% / CMY-Modus: 100–0% |
| 64 | Feines blau 5 | Feines gelb 5 | 000 ⇔ 255 | RGBW-Modus: 0–100% / CMY-Modus: 100–0% |
| 65 | Weiß 5 | | 000 ⇔ 255 | RGBW-Modus: 0–100% / CMY-Modus: 100–0% |
| 66 | Feines weiß 5 | | 000 ⇔ 255 | RGBW-Modus: 0–100% / CMY-Modus: 100–0% |
| 67 | Rot 6 | Cyan 6 | 000 ⇔ 255 | RGBW-Modus: 0–100% / CMY-Modus: 100–0% |
| 68 | Feines rot 6 | Feines cyan 6 | 000 ⇔ 255 | RGBW-Modus: 0–100% / CMY-Modus: 100–0% |
| 69 | Grün 6 | Magenta 6 | 000 ⇔ 255 | RGBW-Modus: 0–100% / CMY-Modus: 100–0% |
| 70 | Feines grün 6 | Feines magenta 6 | 000 ⇔ 255 | RGBW-Modus: 0–100% / CMY-Modus: 100–0% |
| 71 | Blau 6 | Gelb 6 | 000 ⇔ 255 | RGBW-Modus: 0–100% / CMY-Modus: 100–0% |
| 72 | Feines blau 6 | Feines gelb 6 | 000 ⇔ 255 | RGBW-Modus: 0–100% / CMY-Modus: 100–0% |
| 73 | Weiß 6 | | 000 ⇔ 255 | RGBW-Modus: 0–100% / CMY-Modus: 100–0% |
| 74 | Feines weiß 6 | | 000 ⇔ 255 | RGBW-Modus: 0–100% / CMY-Modus: 100–0% |
| 75 | Rot 7 | Cyan 7 | 000 ⇔ 255 | RGBW-Modus: 0–100% / CMY-Modus: 100–0% |
| 76 | Feines rot 7 | Feines cyan 7 | 000 ⇔ 255 | RGBW-Modus: 0–100% / CMY-Modus: 100–0% |
| 77 | Grün 7 | Magenta 7 | 000 ⇔ 255 | RGBW-Modus: 0–100% / CMY-Modus: 100–0% |
| 78 | Feines grün 7 | Feines magenta 7 | 000 ⇔ 255 | RGBW-Modus: 0–100% / CMY-Modus: 100–0% |
| 79 | Blau 7 | Gelb 7 | 000 ⇔ 255 | RGBW-Modus: 0–100% / CMY-Modus: 100–0% |
| 80 | Feines blau 7 | Feines gelb 7 | 000 ⇔ 255 | RGBW-Modus: 0–100% / CMY-Modus: 100–0% |
| 81 | Weiß 7 | | 000 ⇔ 255 | RGBW-Modus: 0–100% / CMY-Modus: 100–0% |
| 82 | Feines weiß 7 | | 000 ⇔ 255 | RGBW-Modus: 0–100% / CMY-Modus: 100–0% |
| 83 | Rot 8 | Cyan 8 | 000 ⇔ 255 | RGBW-Modus: 0–100% / CMY-Modus: 100–0% |
| 84 | Feines rot 8 | Feines cyan 8 | 000 ⇔ 255 | RGBW-Modus: 0–100% / CMY-Modus: 100–0% |
| 85 | Grün 8 | Magenta 8 | 000 ⇔ 255 | RGBW-Modus: 0–100% / CMY-Modus: 100–0% |
| 86 | Feines grün 8 | Feines magenta 8 | 000 ⇔ 255 | RGBW-Modus: 0–100% / CMY-Modus: 100–0% |
| 87 | Blau 8 | Gelb 8 | 000 ⇔ 255 | RGBW-Modus: 0–100% / CMY-Modus: 100–0% |
| 88 | Feines blau 8 | Feines gelb 8 | 000 ⇔ 255 | RGBW-Modus: 0–100% / CMY-Modus: 100–0% |
| 89 | Weiß 8 | | 000 ⇔ 255 | RGBW-Modus: 0–100% / CMY-Modus: 100–0% |
| 90 | Feines weiß 8 | | 000 ⇔ 255 | RGBW-Modus: 0–100% / CMY-Modus: 100–0% |
| 91 | Rot 9 | Cyan 9 | 000 ⇔ 255 | RGBW-Modus: 0–100% / CMY-Modus: 100–0% |
| 92 | Feines rot 9 | Feines cyan 9 | 000 ⇔ 255 | RGBW-Modus: 0–100% / CMY-Modus: 100–0% |
| 93 | Grün 9 | Magenta 9 | 000 ⇔ 255 | RGBW-Modus: 0–100% / CMY-Modus: 100–0% |
| 94 | Feines grün 9 | Feines magenta 9 | 000 ⇔ 255 | RGBW-Modus: 0–100% / CMY-Modus: 100–0% |
| 95 | Blau 9 | Gelb 9 | 000 ⇔ 255 | RGBW-Modus: 0–100% / CMY-Modus: 100–0% |
| 96 | Feines blau 9 | Feines gelb 9 | 000 ⇔ 255 | RGBW-Modus: 0–100% / CMY-Modus: 100–0% |
| 97 | Weiß 9 | | 000 ⇔ 255 | RGBW-Modus: 0–100% / CMY-Modus: 100–0% |

| Kanal | Funktion | Wert | Prozent/Einstellung |
|-------|------------------------------------|-----------|--|
| 98 | Feines weiß 9 | 000 ⇔ 255 | RGBW-Modus: 0–100% / CMY-Modus: 100–0% |
| 99 | Rot 10 Cyan 10 | 000 ⇔ 255 | RGBW-Modus: 0–100% / CMY-Modus: 100–0% |
| 100 | Feines rot 10 Feines cyan 10 | 000 ⇔ 255 | RGBW-Modus: 0–100% / CMY-Modus: 100–0% |
| 101 | Grün 10 Magenta 10 | 000 ⇔ 255 | RGBW-Modus: 0–100% / CMY-Modus: 100–0% |
| 102 | Feines grün 10 Feines magenta 10 | 000 ⇔ 255 | RGBW-Modus: 0–100% / CMY-Modus: 100–0% |
| 103 | Blau 10 Gelb 10 | 000 ⇔ 255 | RGBW-Modus: 0–100% / CMY-Modus: 100–0% |
| 104 | Feines blau 10 Feines gelb 10 | 000 ⇔ 255 | RGBW-Modus: 0–100% / CMY-Modus: 100–0% |
| 105 | Weiß 10 | 000 ⇔ 255 | RGBW-Modus: 0–100% / CMY-Modus: 100–0% |
| 106 | Feines weiß 10 | 000 ⇔ 255 | RGBW-Modus: 0–100% / CMY-Modus: 100–0% |
| 107 | Rot 11 Cyan 11 | 000 ⇔ 255 | RGBW-Modus: 0–100% / CMY-Modus: 100–0% |
| 108 | Feines rot 11 Feines cyan 11 | 000 ⇔ 255 | RGBW-Modus: 0–100% / CMY-Modus: 100–0% |
| 109 | Grün 11 Magenta 11 | 000 ⇔ 255 | RGBW-Modus: 0–100% / CMY-Modus: 100–0% |
| 110 | Feines grün 11 Feines magenta 11 | 000 ⇔ 255 | RGBW-Modus: 0–100% / CMY-Modus: 100–0% |
| 111 | Blau 11 Gelb 11 | 000 ⇔ 255 | RGBW-Modus: 0–100% / CMY-Modus: 100–0% |
| 112 | Feines blau 11 Feines gelb 11 | 000 ⇔ 255 | RGBW-Modus: 0–100% / CMY-Modus: 100–0% |
| 113 | Weiß 11 | 000 ⇔ 255 | RGBW-Modus: 0–100% / CMY-Modus: 100–0% |
| 114 | Feines weiß 11 | 000 ⇔ 255 | RGBW-Modus: 0–100% / CMY-Modus: 100–0% |
| 115 | Rot 12 Cyan 12 | 000 ⇔ 255 | RGBW-Modus: 0–100% / CMY-Modus: 100–0% |
| 116 | Feines rot 12 Feines cyan 12 | 000 ⇔ 255 | RGBW-Modus: 0–100% / CMY-Modus: 100–0% |
| 117 | Grün 12 Magenta 12 | 000 ⇔ 255 | RGBW-Modus: 0–100% / CMY-Modus: 100–0% |
| 118 | Feines grün 12 Feines magenta 12 | 000 ⇔ 255 | RGBW-Modus: 0–100% / CMY-Modus: 100–0% |
| 119 | Blau 12 Gelb 12 | 000 ⇔ 255 | RGBW-Modus: 0–100% / CMY-Modus: 100–0% |
| 120 | Feines blau 12 Feines gelb 12 | 000 ⇔ 255 | RGBW-Modus: 0–100% / CMY-Modus: 100–0% |
| 121 | Weiß 12 | 000 ⇔ 255 | RGBW-Modus: 0–100% / CMY-Modus: 100–0% |
| 122 | Feines weiß 12 | 000 ⇔ 255 | RGBW-Modus: 0–100% / CMY-Modus: 100–0% |
| 123 | Rot 13 Cyan 13 | 000 ⇔ 255 | RGBW-Modus: 0–100% / CMY-Modus: 100–0% |
| 124 | Feines rot 13 Feines cyan 13 | 000 ⇔ 255 | RGBW-Modus: 0–100% / CMY-Modus: 100–0% |
| 125 | Grün 13 Magenta 13 | 000 ⇔ 255 | RGBW-Modus: 0–100% / CMY-Modus: 100–0% |
| 126 | Feines grün 13 Feines magenta 13 | 000 ⇔ 255 | RGBW-Modus: 0–100% / CMY-Modus: 100–0% |
| 127 | Blau 13 Gelb 13 | 000 ⇔ 255 | RGBW-Modus: 0–100% / CMY-Modus: 100–0% |
| 128 | Feines blau 13 Feines gelb 13 | 000 ⇔ 255 | RGBW-Modus: 0–100% / CMY-Modus: 100–0% |
| 129 | Weiß 13 | 000 ⇔ 255 | RGBW-Modus: 0–100% / CMY-Modus: 100–0% |
| 130 | Feines weiß 13 | 000 ⇔ 255 | RGBW-Modus: 0–100% / CMY-Modus: 100–0% |
| 131 | Rot 14 Cyan 14 | 000 ⇔ 255 | RGBW-Modus: 0–100% / CMY-Modus: 100–0% |
| 132 | Feines rot 14 Feines cyan 14 | 000 ⇔ 255 | RGBW-Modus: 0–100% / CMY-Modus: 100–0% |
| 133 | Grün 14 Magenta 14 | 000 ⇔ 255 | RGBW-Modus: 0–100% / CMY-Modus: 100–0% |
| 134 | Feines grün 14 Feines magenta 14 | 000 ⇔ 255 | RGBW-Modus: 0–100% / CMY-Modus: 100–0% |
| 135 | Blau 14 Gelb 14 | 000 ⇔ 255 | RGBW-Modus: 0–100% / CMY-Modus: 100–0% |
| 136 | Feines blau 14 Feines gelb 14 | 000 ⇔ 255 | RGBW-Modus: 0–100% / CMY-Modus: 100–0% |
| 137 | Weiß 14 | 000 ⇔ 255 | RGBW-Modus: 0–100% / CMY-Modus: 100–0% |
| 138 | Feines weiß 14 | 000 ⇔ 255 | RGBW-Modus: 0–100% / CMY-Modus: 100–0% |
| 139 | Rot 15 Cyan 15 | 000 ⇔ 255 | RGBW-Modus: 0–100% / CMY-Modus: 100–0% |
| 140 | Feines rot 15 Feines cyan 15 | 000 ⇔ 255 | RGBW-Modus: 0–100% / CMY-Modus: 100–0% |
| 141 | Grün 15 Magenta 15 | 000 ⇔ 255 | RGBW-Modus: 0–100% / CMY-Modus: 100–0% |
| 142 | Feines grün 15 Feines magenta 15 | 000 ⇔ 255 | RGBW-Modus: 0–100% / CMY-Modus: 100–0% |
| 143 | Blau 15 Gelb 15 | 000 ⇔ 255 | RGBW-Modus: 0–100% / CMY-Modus: 100–0% |
| 144 | Feines blau 15 Feines gelb 15 | 000 ⇔ 255 | RGBW-Modus: 0–100% / CMY-Modus: 100–0% |
| 145 | Weiß 15 | 000 ⇔ 255 | RGBW-Modus: 0–100% / CMY-Modus: 100–0% |
| 146 | Feines weiß 15 | 000 ⇔ 255 | RGBW-Modus: 0–100% / CMY-Modus: 100–0% |
| 147 | Rot 16 Cyan 16 | 000 ⇔ 255 | RGBW-Modus: 0–100% / CMY-Modus: 100–0% |
| 148 | Feines rot 16 Feines cyan 16 | 000 ⇔ 255 | RGBW-Modus: 0–100% / CMY-Modus: 100–0% |

| Kanal | Funktion | Wert | Prozent/Einstellung |
|-------|---------------------------------------|-----------|--|
| 149 | Grün 16 Magenta 16 | 000 ⇔ 255 | RGBW-Modus: 0–100% / CMY-Modus: 100–0% |
| 150 | Feines grün 16 Feines magenta 16 | 000 ⇔ 255 | RGBW-Modus: 0–100% / CMY-Modus: 100–0% |
| 151 | Blau 16 Gelb 16 | 000 ⇔ 255 | RGBW-Modus: 0–100% / CMY-Modus: 100–0% |
| 152 | Feines blau 16 Feines gelb 16 | 000 ⇔ 255 | RGBW-Modus: 0–100% / CMY-Modus: 100–0% |
| 153 | Weiß 16 | 000 ⇔ 255 | RGBW-Modus: 0–100% / CMY-Modus: 100–0% |
| 154 | Feines weiß 16 | 000 ⇔ 255 | RGBW-Modus: 0–100% / CMY-Modus: 100–0% |

Single Control: Standardmodus (84CH)

| Kanal | Funktion | Wert | Prozent/Einstellung |
|-------|---|-------------------------------|--|
| 1 | Neigung | 000 ⇔ 255 | 0–100% |
| 2 | Neigung fein | 000 ⇔ 255 | 0–100% |
| 3 | Neigungsgeschwindigkeit | 000 ⇔ 255 | 0–100% |
| 4 | CTC | 000 001 ⇔ 255 | Kein Funktion Farbtemperatur, 1900–2700 K |
| 5 | Farbe | 000 ⇔ 255 | siehe Farbkarte |
| 6 | Muster (siehe Muster) | 000 001 ⇔ 255 | Kein Funktion Muster 1–255 |
| 7 | LED Makro | 000 ⇔ 255 | siehe LED Makro |
| 8 | LED Makrogeschwindigkeit | 000 ⇔ 127 128 129 ⇔ 255 | Auto-Geschwindigkeit, schnell bis langsam Halt Auto-Geschwindigkeit, langsam bis schnell |
| 9 | LED eingebaute Verzögerung | 000 ⇔ 255 | Schnell bis langsam |
| 10 | Hintergrundfarbe | 000 ⇔ 255 | siehe Farbkarte |
| 11 | Hintergrunddimmer | 000 ⇔ 255 | 0–100% |
| 12 | Dimmer | 000 ⇔ 255 | 0–100% |
| 13 | Strobe | 000 ⇔ 255 | siehe Blitzeinstellungen |
| 14 | Zoomen 1 (siehe Zoomzonen) | 000 ⇔ 255 | Breit bis schmal (Zone 1) |
| 15 | Zoomen 2 (siehe Zoomzonen) | 000 ⇔ 255 | Breit bis schmal (Zone 2) |
| 16 | Steuerung | 000 ⇔ 255 | siehe Steuerungseinstellungen |
| 17 | Hauptrot | 000 ⇔ 255 | RGBW-Modus: 0–100% / CMY-Modus: 100–0% |
| 18 | Hauptgrün | 000 ⇔ 255 | RGBW-Modus: 0–100% / CMY-Modus: 100–0% |
| 19 | Hauptblau | 000 ⇔ 255 | RGBW-Modus: 0–100% / CMY-Modus: 100–0% |
| 20 | Hauptweiß | 000 ⇔ 255 | RGBW-Modus: 0–100% / CMY-Modus: 100–0% |
| 21 | Rot 1 Cyan 1 | 000 ⇔ 255 | RGBW-Modus: 0–100% / CMY-Modus: 100–0% |
| 22 | Grün 1 Magenta 1 | 000 ⇔ 255 | RGBW-Modus: 0–100% / CMY-Modus: 100–0% |
| 23 | Blau 1 Gelb 1 | 000 ⇔ 255 | RGBW-Modus: 0–100% / CMY-Modus: 100–0% |
| 24 | Weiß 1 | 000 ⇔ 255 | RGBW-Modus: 0–100% / CMY-Modus: 100–0% |
| 25 | Rot 2 Cyan 2 | 000 ⇔ 255 | RGBW-Modus: 0–100% / CMY-Modus: 100–0% |
| 26 | Grün 2 Magenta 2 | 000 ⇔ 255 | RGBW-Modus: 0–100% / CMY-Modus: 100–0% |
| 27 | Blau 2 Gelb 2 | 000 ⇔ 255 | RGBW-Modus: 0–100% / CMY-Modus: 100–0% |
| 28 | Weiß 2 | 000 ⇔ 255 | RGBW-Modus: 0–100% / CMY-Modus: 100–0% |
| 29 | Rot 3 Cyan 3 | 000 ⇔ 255 | RGBW-Modus: 0–100% / CMY-Modus: 100–0% |
| 30 | Grün 3 Magenta 3 | 000 ⇔ 255 | RGBW-Modus: 0–100% / CMY-Modus: 100–0% |
| 31 | Blau 3 Gelb 3 | 000 ⇔ 255 | RGBW-Modus: 0–100% / CMY-Modus: 100–0% |
| 32 | Weiß 3 | 000 ⇔ 255 | RGBW-Modus: 0–100% / CMY-Modus: 100–0% |
| 33 | Rot 4 Cyan 4 | 000 ⇔ 255 | RGBW-Modus: 0–100% / CMY-Modus: 100–0% |
| 34 | Grün 4 Magenta 4 | 000 ⇔ 255 | RGBW-Modus: 0–100% / CMY-Modus: 100–0% |
| 35 | Blau 4 Gelb 4 | 000 ⇔ 255 | RGBW-Modus: 0–100% / CMY-Modus: 100–0% |
| 36 | Weiß 4 | 000 ⇔ 255 | RGBW-Modus: 0–100% / CMY-Modus: 100–0% |

| Kanal | Funktion | | Wert | Prozent/Einstellung |
|-------|----------|------------|-----------|--|
| 37 | Rot 5 | Cyan 5 | 000 ⇄ 255 | RGBW-Modus: 0–100% / CMY-Modus: 100–0% |
| 38 | Grün 5 | Magenta 5 | 000 ⇄ 255 | RGBW-Modus: 0–100% / CMY-Modus: 100–0% |
| 39 | Blau 5 | Gelb 5 | 000 ⇄ 255 | RGBW-Modus: 0–100% / CMY-Modus: 100–0% |
| 40 | Weiß 5 | | 000 ⇄ 255 | RGBW-Modus: 0–100% / CMY-Modus: 100–0% |
| 41 | Rot 6 | Cyan 6 | 000 ⇄ 255 | RGBW-Modus: 0–100% / CMY-Modus: 100–0% |
| 42 | Grün 6 | Magenta 6 | 000 ⇄ 255 | RGBW-Modus: 0–100% / CMY-Modus: 100–0% |
| 43 | Blau 6 | Gelb 6 | 000 ⇄ 255 | RGBW-Modus: 0–100% / CMY-Modus: 100–0% |
| 44 | Weiß 6 | | 000 ⇄ 255 | RGBW-Modus: 0–100% / CMY-Modus: 100–0% |
| 45 | Rot 7 | Cyan 7 | 000 ⇄ 255 | RGBW-Modus: 0–100% / CMY-Modus: 100–0% |
| 46 | Grün 7 | Magenta 7 | 000 ⇄ 255 | RGBW-Modus: 0–100% / CMY-Modus: 100–0% |
| 47 | Blau 7 | Gelb 7 | 000 ⇄ 255 | RGBW-Modus: 0–100% / CMY-Modus: 100–0% |
| 48 | Weiß 7 | | 000 ⇄ 255 | RGBW-Modus: 0–100% / CMY-Modus: 100–0% |
| 49 | Rot 8 | Cyan 8 | 000 ⇄ 255 | RGBW-Modus: 0–100% / CMY-Modus: 100–0% |
| 50 | Grün 8 | Magenta 8 | 000 ⇄ 255 | RGBW-Modus: 0–100% / CMY-Modus: 100–0% |
| 51 | Blau 8 | Gelb 8 | 000 ⇄ 255 | RGBW-Modus: 0–100% / CMY-Modus: 100–0% |
| 52 | Weiß 8 | | 000 ⇄ 255 | RGBW-Modus: 0–100% / CMY-Modus: 100–0% |
| 53 | Rot 9 | Cyan 9 | 000 ⇄ 255 | RGBW-Modus: 0–100% / CMY-Modus: 100–0% |
| 54 | Grün 9 | Magenta 9 | 000 ⇄ 255 | RGBW-Modus: 0–100% / CMY-Modus: 100–0% |
| 55 | Blau 9 | Gelb 9 | 000 ⇄ 255 | RGBW-Modus: 0–100% / CMY-Modus: 100–0% |
| 56 | Weiß 9 | | 000 ⇄ 255 | RGBW-Modus: 0–100% / CMY-Modus: 100–0% |
| 57 | Rot 10 | Cyan 10 | 000 ⇄ 255 | RGBW-Modus: 0–100% / CMY-Modus: 100–0% |
| 58 | Grün 10 | Magenta 10 | 000 ⇄ 255 | RGBW-Modus: 0–100% / CMY-Modus: 100–0% |
| 59 | Blau 10 | Gelb 10 | 000 ⇄ 255 | RGBW-Modus: 0–100% / CMY-Modus: 100–0% |
| 60 | Weiß 10 | | 000 ⇄ 255 | RGBW-Modus: 0–100% / CMY-Modus: 100–0% |
| 61 | Rot 11 | Cyan 11 | 000 ⇄ 255 | RGBW-Modus: 0–100% / CMY-Modus: 100–0% |
| 62 | Grün 11 | Magenta 11 | 000 ⇄ 255 | RGBW-Modus: 0–100% / CMY-Modus: 100–0% |
| 63 | Blau 11 | Gelb 11 | 000 ⇄ 255 | RGBW-Modus: 0–100% / CMY-Modus: 100–0% |
| 64 | Weiß 11 | | 000 ⇄ 255 | RGBW-Modus: 0–100% / CMY-Modus: 100–0% |
| 65 | Rot 12 | Cyan 12 | 000 ⇄ 255 | RGBW-Modus: 0–100% / CMY-Modus: 100–0% |
| 66 | Grün 12 | Magenta 12 | 000 ⇄ 255 | RGBW-Modus: 0–100% / CMY-Modus: 100–0% |
| 67 | Blau 12 | Gelb 12 | 000 ⇄ 255 | RGBW-Modus: 0–100% / CMY-Modus: 100–0% |
| 68 | Weiß 12 | | 000 ⇄ 255 | RGBW-Modus: 0–100% / CMY-Modus: 100–0% |
| 69 | Rot 13 | Cyan 13 | 000 ⇄ 255 | RGBW-Modus: 0–100% / CMY-Modus: 100–0% |
| 70 | Grün 13 | Magenta 13 | 000 ⇄ 255 | RGBW-Modus: 0–100% / CMY-Modus: 100–0% |
| 71 | Blau 13 | Gelb 13 | 000 ⇄ 255 | RGBW-Modus: 0–100% / CMY-Modus: 100–0% |
| 72 | Weiß 13 | | 000 ⇄ 255 | RGBW-Modus: 0–100% / CMY-Modus: 100–0% |
| 73 | Rot 14 | Cyan 14 | 000 ⇄ 255 | RGBW-Modus: 0–100% / CMY-Modus: 100–0% |
| 74 | Grün 14 | Magenta 14 | 000 ⇄ 255 | RGBW-Modus: 0–100% / CMY-Modus: 100–0% |
| 75 | Blau 14 | Gelb 14 | 000 ⇄ 255 | RGBW-Modus: 0–100% / CMY-Modus: 100–0% |
| 76 | Weiß 14 | | 000 ⇄ 255 | RGBW-Modus: 0–100% / CMY-Modus: 100–0% |
| 77 | Rot 15 | Cyan 15 | 000 ⇄ 255 | RGBW-Modus: 0–100% / CMY-Modus: 100–0% |
| 78 | Grün 15 | Magenta 15 | 000 ⇄ 255 | RGBW-Modus: 0–100% / CMY-Modus: 100–0% |
| 79 | Blau 15 | Gelb 15 | 000 ⇄ 255 | RGBW-Modus: 0–100% / CMY-Modus: 100–0% |
| 80 | Weiß 15 | | 000 ⇄ 255 | RGBW-Modus: 0–100% / CMY-Modus: 100–0% |
| 81 | Rot 16 | Cyan 16 | 000 ⇄ 255 | RGBW-Modus: 0–100% / CMY-Modus: 100–0% |
| 82 | Grün 16 | Magenta 16 | 000 ⇄ 255 | RGBW-Modus: 0–100% / CMY-Modus: 100–0% |
| 83 | Blau 16 | Gelb 16 | 000 ⇄ 255 | RGBW-Modus: 0–100% / CMY-Modus: 100–0% |
| 84 | Weiß 16 | | 000 ⇄ 255 | RGBW-Modus: 0–100% / CMY-Modus: 100–0% |

Single Control: Basic-modus (20CH)

| Kanal | Funktion | Wert | Prozent/Einstellung |
|-------|---|-----------|---|
| 1 | Neigung | 000 ⇔ 255 | 0–100% |
| 2 | Neigung fein | 000 ⇔ 255 | 0–100% |
| 3 | Neigungsgeschwindigkeit | 000 ⇔ 255 | 0–100% |
| 4 | CTC | 000 | Kein Funktion |
| | | 001 ⇔ 255 | Farbtemperatur, 1900–2700 K |
| 5 | Farbe | 000 ⇔ 255 | siehe Farbkarte |
| 6 | Muster (siehe Muster) | 000 | Kein Funktion |
| | | 001 ⇔ 255 | Muster 1–255 |
| 7 | LED Makro | 000 ⇔ 255 | siehe LED Makro |
| 8 | LED Makrogeschwindigkeit | 000 ⇔ 127 | Auto-Geschwindigkeit, schnell bis langsam |
| | | 128 | Halt |
| | | 129 ⇔ 255 | Auto-Geschwindigkeit, langsam bis schnell |
| 9 | LED eingebaute Verzögerung | 000 ⇔ 255 | Schnell bis langsam |
| 10 | Hintergrundfarbe | 000 ⇔ 255 | siehe Farbkarte |
| 11 | Hintergrunddimmer | 000 ⇔ 255 | 0–100% |
| 12 | Hauptdimmer | 000 ⇔ 255 | 0–100% |
| 13 | Strobe | 000 ⇔ 255 | siehe Blitzeinstellungen |
| 14 | Zoomen 1 (siehe Zoomzonen) | 000 ⇔ 255 | Breit bis schmal (Zone 1) |
| 15 | Zoomen 2 (siehe Zoomzonen) | 000 ⇔ 255 | Breit bis schmal (Zone 2) |
| 16 | Steuerung | 000 ⇔ 255 | siehe Steuerungseinstellungen |
| 17 | Rot | 000 ⇔ 255 | RGBW-Modus: 0–100% / CMY-Modus: 100–0% |
| 18 | Grün | 000 ⇔ 255 | RGBW-Modus: 0–100% / CMY-Modus: 100–0% |
| 19 | Blau | 000 ⇔ 255 | RGBW-Modus: 0–100% / CMY-Modus: 100–0% |
| 20 | Weiß | 000 ⇔ 255 | RGBW-Modus: 0–100% / CMY-Modus: 100–0% |

Dual Control Movement: Advanced-modus (26CH)

| Kanal | Funktion | Wert | Prozent/Einstellung |
|-------|---|-----------|---|
| 1 | Neigung | 000 ⇔ 255 | 0–100% |
| 2 | Neigung fein | 000 ⇔ 255 | 0–100% |
| 3 | Neigungsgeschwindigkeit | 000 ⇔ 255 | 0–100% |
| 4 | CTC | 000 | Kein Funktion |
| | | 001 ⇔ 255 | Farbtemperatur, 1900–2700 K |
| 5 | Farbe | 000 ⇔ 255 | siehe Farbkarte |
| 6 | Muster (siehe Muster) | 000 | Kein Funktion |
| | | 001 ⇔ 255 | Muster 1–255 |
| 7 | LED Makro | 000 ⇔ 255 | siehe LED Makro |
| 8 | LED Makrogeschwindigkeit | 000 ⇔ 127 | Auto-Geschwindigkeit, schnell bis langsam |
| | | 128 | Halt |
| | | 129 ⇔ 255 | Auto-Geschwindigkeit, langsam bis schnell |
| 9 | LED eingebaute Verzögerung | 000 ⇔ 255 | Schnell bis langsam |
| 10 | Hintergrundfarbe | 000 ⇔ 255 | siehe Farbkarte |
| 11 | Hintergrunddimmer | 000 ⇔ 255 | 0–100% |
| 12 | Hintergrund feiner Dimmer | 000 ⇔ 255 | 0–100% |
| 13 | Hauptdimmer | 000 ⇔ 255 | 0–100% |
| 14 | Haupt feiner dimmer | 000 ⇔ 255 | 0–100% |
| 15 | Strobe | 000 ⇔ 255 | siehe Blitzeinstellungen |
| 16 | Zoomen 1 (siehe Zoomzonen) | 000 ⇔ 255 | Breit bis schmal (Zone 1) |
| 17 | Zoomen 2 (siehe Zoomzonen) | 000 ⇔ 255 | Breit bis schmal (Zone 2) |
| 18 | Steuerung | 000 ⇔ 255 | siehe Steuerungseinstellungen |

| Kanal | Funktion | Wert | Prozent/Einstellung |
|-------|-------------------|-----------|--|
| 19 | Hauptrot | 000 ⇔ 255 | RGBW-Modus: 0–100% / CMY-Modus: 100–0% |
| 20 | Hauptfeines rot | 000 ⇔ 255 | RGBW-Modus: 0–100% / CMY-Modus: 100–0% |
| 21 | Hauptgrün | 000 ⇔ 255 | RGBW-Modus: 0–100% / CMY-Modus: 100–0% |
| 22 | Hauptfeines grün | 000 ⇔ 255 | RGBW-Modus: 0–100% / CMY-Modus: 100–0% |
| 23 | Hauptblau | 000 ⇔ 255 | RGBW-Modus: 0–100% / CMY-Modus: 100–0% |
| 24 | Hauptfeines blau | 000 ⇔ 255 | RGBW-Modus: 0–100% / CMY-Modus: 100–0% |
| 25 | Hauptweiß | 000 ⇔ 255 | RGBW-Modus: 0–100% / CMY-Modus: 100–0% |
| 26 | Haupt feines weiß | 000 ⇔ 255 | RGBW-Modus: 0–100% / CMY-Modus: 100–0% |

Dual Control Movement: Standardmodus (20CH)

| Kanal | Funktion | Wert | Prozent/Einstellung |
|-------|---|-------------------------------|--|
| 1 | Neigung | 000 ⇔ 255 | 0–100% |
| 2 | Neigung fein | 000 ⇔ 255 | 0–100% |
| 3 | Neigungsgeschwindigkeit | 000 ⇔ 255 | 0–100% |
| 4 | CTC | 000 001 ⇔ 255 | Kein Funktion Farbtemperatur, 1900–2700 K |
| 5 | Farbe | 000 ⇔ 255 | siehe Farbkarte |
| 6 | Muster (siehe Muster) | 000 001 ⇔ 255 | Kein Funktion Muster 1–255 |
| 7 | LED Makro | 000 ⇔ 255 | siehe LED Makro |
| 8 | LED Makrogeschwindigkeit | 000 ⇔ 127 128 129 ⇔ 255 | Auto-Geschwindigkeit, schnell bis langsam Halt Auto-Geschwindigkeit, langsam bis schnell |
| 9 | LED eingebaute Verzögerung | 000 ⇔ 255 | Schnell bis langsam |
| 10 | Hintergrundfarbe | 000 ⇔ 255 | siehe Farbkarte |
| 11 | Hintergrunddimmer | 000 ⇔ 255 | 0–100% |
| 12 | Hauptdimmer | 000 ⇔ 255 | 0–100% |
| 13 | Strobe | 000 ⇔ 255 | siehe Blitzeinstellungen |
| 14 | Zoomen 1 (siehe Zoomzonen) | 000 ⇔ 255 | Breit bis schmal (Zone 1) |
| 15 | Zoomen 2 (siehe Zoomzonen) | 000 ⇔ 255 | Breit bis schmal (Zone 2) |
| 16 | Steuerung | 000 ⇔ 255 | siehe Steuerungseinstellungen |
| 17 | Hauptrot | 000 ⇔ 255 | RGBW-Modus: 0–100% / CMY-Modus: 100–0% |
| 18 | Hauptgrün | 000 ⇔ 255 | RGBW-Modus: 0–100% / CMY-Modus: 100–0% |
| 19 | Hauptblau | 000 ⇔ 255 | RGBW-Modus: 0–100% / CMY-Modus: 100–0% |
| 20 | Hauptweiß | 000 ⇔ 255 | RGBW-Modus: 0–100% / CMY-Modus: 100–0% |

Dual Control Movement: Basic-modus (8CH)

| Kanal | Funktion | Wert | Prozent/Einstellung |
|-------|---|-----------|---|
| 1 | Neigung | 000 ⇔ 255 | 0–100% |
| 2 | Neigung fein | 000 ⇔ 255 | 0–100% |
| 3 | Neigungsgeschwindigkeit | 000 ⇔ 255 | 0–100% |
| 4 | Dimmer | 000 ⇔ 255 | 0–100% |
| 5 | Strobe | 000 ⇔ 255 | siehe Blitzeinstellungen |
| 6 | Zoomen 1 (siehe Zoomzonen) | 000 ⇔ 255 | Breit bis schmal (Zone 1) |
| 7 | Zoomen 2 (siehe Zoomzonen) | 000 ⇔ 255 | Breit bis schmal (Zone 2) |
| 8 | Steuerung | 000 ⇔ 255 | siehe Steuerungseinstellungen |

Dual Control Pixels: Advanced-modus (128CH)

| Kanal | Funktion | | Wert | Prozent/Einstellung |
|-------|---------------|------------------|-----------|--|
| 1 | Rot 1 | Cyan 1 | 000 ⇔ 255 | RGBW-Modus: 0–100% / CMY-Modus: 100–0% |
| 2 | Feines rot 1 | Feines cyan 1 | 000 ⇔ 255 | RGBW-Modus: 0–100% / CMY-Modus: 100–0% |
| 3 | Grün 1 | Magenta 1 | 000 ⇔ 255 | RGBW-Modus: 0–100% / CMY-Modus: 100–0% |
| 4 | Feines grün 1 | Feines magenta 1 | 000 ⇔ 255 | RGBW-Modus: 0–100% / CMY-Modus: 100–0% |
| 5 | Blau 1 | Gelb 1 | 000 ⇔ 255 | RGBW-Modus: 0–100% / CMY-Modus: 100–0% |
| 6 | Feines blau 1 | Feines gelb 1 | 000 ⇔ 255 | RGBW-Modus: 0–100% / CMY-Modus: 100–0% |
| 7 | Weiß 1 | | 000 ⇔ 255 | RGBW-Modus: 0–100% / CMY-Modus: 100–0% |
| 8 | Feines weiß 1 | | 000 ⇔ 255 | RGBW-Modus: 0–100% / CMY-Modus: 100–0% |
| 9 | Rot 2 | Cyan 2 | 000 ⇔ 255 | RGBW-Modus: 0–100% / CMY-Modus: 100–0% |
| 10 | Feines rot 2 | Feines cyan 2 | 000 ⇔ 255 | RGBW-Modus: 0–100% / CMY-Modus: 100–0% |
| 11 | Grün 2 | Magenta 2 | 000 ⇔ 255 | RGBW-Modus: 0–100% / CMY-Modus: 100–0% |
| 12 | Feines grün 2 | Feines magenta 2 | 000 ⇔ 255 | RGBW-Modus: 0–100% / CMY-Modus: 100–0% |
| 13 | Blau 2 | Gelb 2 | 000 ⇔ 255 | RGBW-Modus: 0–100% / CMY-Modus: 100–0% |
| 14 | Feines blau 2 | Feines gelb 2 | 000 ⇔ 255 | RGBW-Modus: 0–100% / CMY-Modus: 100–0% |
| 15 | Weiß 2 | | 000 ⇔ 255 | RGBW-Modus: 0–100% / CMY-Modus: 100–0% |
| 16 | Feines weiß 2 | | 000 ⇔ 255 | RGBW-Modus: 0–100% / CMY-Modus: 100–0% |
| 17 | Rot 3 | Cyan 3 | 000 ⇔ 255 | RGBW-Modus: 0–100% / CMY-Modus: 100–0% |
| 18 | Feines rot 3 | Feines cyan 3 | 000 ⇔ 255 | RGBW-Modus: 0–100% / CMY-Modus: 100–0% |
| 19 | Grün 3 | Magenta 3 | 000 ⇔ 255 | RGBW-Modus: 0–100% / CMY-Modus: 100–0% |
| 20 | Feines grün 3 | Feines magenta 3 | 000 ⇔ 255 | RGBW-Modus: 0–100% / CMY-Modus: 100–0% |
| 21 | Blau 3 | Gelb 3 | 000 ⇔ 255 | RGBW-Modus: 0–100% / CMY-Modus: 100–0% |
| 22 | Feines blau 3 | Feines gelb 3 | 000 ⇔ 255 | RGBW-Modus: 0–100% / CMY-Modus: 100–0% |
| 23 | Weiß 3 | | 000 ⇔ 255 | RGBW-Modus: 0–100% / CMY-Modus: 100–0% |
| 24 | Feines weiß 3 | | 000 ⇔ 255 | RGBW-Modus: 0–100% / CMY-Modus: 100–0% |
| 25 | Rot 4 | Cyan 4 | 000 ⇔ 255 | RGBW-Modus: 0–100% / CMY-Modus: 100–0% |
| 26 | Feines rot 4 | Feines cyan 4 | 000 ⇔ 255 | RGBW-Modus: 0–100% / CMY-Modus: 100–0% |
| 27 | Grün 4 | Magenta 4 | 000 ⇔ 255 | RGBW-Modus: 0–100% / CMY-Modus: 100–0% |
| 28 | Feines grün 4 | Feines magenta 4 | 000 ⇔ 255 | RGBW-Modus: 0–100% / CMY-Modus: 100–0% |
| 29 | Blau 4 | Gelb 4 | 000 ⇔ 255 | RGBW-Modus: 0–100% / CMY-Modus: 100–0% |
| 30 | Feines blau 4 | Feines gelb 4 | 000 ⇔ 255 | RGBW-Modus: 0–100% / CMY-Modus: 100–0% |
| 31 | Weiß 4 | | 000 ⇔ 255 | RGBW-Modus: 0–100% / CMY-Modus: 100–0% |
| 32 | Feines weiß 4 | | 000 ⇔ 255 | RGBW-Modus: 0–100% / CMY-Modus: 100–0% |
| 33 | Rot 5 | Cyan 5 | 000 ⇔ 255 | RGBW-Modus: 0–100% / CMY-Modus: 100–0% |
| 34 | Feines rot 5 | Feines cyan 5 | 000 ⇔ 255 | RGBW-Modus: 0–100% / CMY-Modus: 100–0% |
| 35 | Grün 5 | Magenta 5 | 000 ⇔ 255 | RGBW-Modus: 0–100% / CMY-Modus: 100–0% |
| 36 | Feines grün 5 | Feines magenta 5 | 000 ⇔ 255 | RGBW-Modus: 0–100% / CMY-Modus: 100–0% |
| 37 | Blau 5 | Gelb 5 | 000 ⇔ 255 | RGBW-Modus: 0–100% / CMY-Modus: 100–0% |
| 38 | Feines blau 5 | Feines gelb 5 | 000 ⇔ 255 | RGBW-Modus: 0–100% / CMY-Modus: 100–0% |
| 39 | Weiß 5 | | 000 ⇔ 255 | RGBW-Modus: 0–100% / CMY-Modus: 100–0% |
| 40 | Feines weiß 5 | | 000 ⇔ 255 | RGBW-Modus: 0–100% / CMY-Modus: 100–0% |
| 41 | Rot 6 | Cyan 6 | 000 ⇔ 255 | RGBW-Modus: 0–100% / CMY-Modus: 100–0% |
| 42 | Feines rot 6 | Feines cyan 6 | 000 ⇔ 255 | RGBW-Modus: 0–100% / CMY-Modus: 100–0% |
| 43 | Grün 6 | Magenta 6 | 000 ⇔ 255 | RGBW-Modus: 0–100% / CMY-Modus: 100–0% |
| 44 | Feines grün 6 | Feines magenta 6 | 000 ⇔ 255 | RGBW-Modus: 0–100% / CMY-Modus: 100–0% |
| 45 | Blau 6 | Gelb 6 | 000 ⇔ 255 | RGBW-Modus: 0–100% / CMY-Modus: 100–0% |
| 46 | Feines blau 6 | Feines gelb 6 | 000 ⇔ 255 | RGBW-Modus: 0–100% / CMY-Modus: 100–0% |
| 47 | Weiß 6 | | 000 ⇔ 255 | RGBW-Modus: 0–100% / CMY-Modus: 100–0% |
| 48 | Feines weiß 6 | | 000 ⇔ 255 | RGBW-Modus: 0–100% / CMY-Modus: 100–0% |
| 49 | Rot 7 | Cyan 7 | 000 ⇔ 255 | RGBW-Modus: 0–100% / CMY-Modus: 100–0% |
| 50 | Feines rot 7 | Feines cyan 7 | 000 ⇔ 255 | RGBW-Modus: 0–100% / CMY-Modus: 100–0% |

| Kanal | Funktion | | Wert | Prozent/Einstellung |
|-------|----------------|-------------------|-----------|--|
| 51 | Grün 7 | Magenta 7 | 000 ⇔ 255 | RGBW-Modus: 0–100% / CMY-Modus: 100–0% |
| 52 | Feines grün 7 | Feines magenta 7 | 000 ⇔ 255 | RGBW-Modus: 0–100% / CMY-Modus: 100–0% |
| 53 | Blau 7 | Gelb 7 | 000 ⇔ 255 | RGBW-Modus: 0–100% / CMY-Modus: 100–0% |
| 54 | Feines blau 7 | Feines gelb 7 | 000 ⇔ 255 | RGBW-Modus: 0–100% / CMY-Modus: 100–0% |
| 55 | Weiß 7 | | 000 ⇔ 255 | RGBW-Modus: 0–100% / CMY-Modus: 100–0% |
| 56 | Feines weiß 7 | | 000 ⇔ 255 | RGBW-Modus: 0–100% / CMY-Modus: 100–0% |
| 57 | Rot 8 | Cyan 8 | 000 ⇔ 255 | RGBW-Modus: 0–100% / CMY-Modus: 100–0% |
| 58 | Feines rot 8 | Feines cyan 8 | 000 ⇔ 255 | RGBW-Modus: 0–100% / CMY-Modus: 100–0% |
| 59 | Grün 8 | Magenta 8 | 000 ⇔ 255 | RGBW-Modus: 0–100% / CMY-Modus: 100–0% |
| 60 | Feines grün 8 | Feines magenta 8 | 000 ⇔ 255 | RGBW-Modus: 0–100% / CMY-Modus: 100–0% |
| 61 | Blau 8 | Gelb 8 | 000 ⇔ 255 | RGBW-Modus: 0–100% / CMY-Modus: 100–0% |
| 62 | Feines blau 8 | Feines gelb 8 | 000 ⇔ 255 | RGBW-Modus: 0–100% / CMY-Modus: 100–0% |
| 63 | Weiß 8 | | 000 ⇔ 255 | RGBW-Modus: 0–100% / CMY-Modus: 100–0% |
| 64 | Feines weiß 8 | | 000 ⇔ 255 | RGBW-Modus: 0–100% / CMY-Modus: 100–0% |
| 65 | Rot 9 | Cyan 9 | 000 ⇔ 255 | RGBW-Modus: 0–100% / CMY-Modus: 100–0% |
| 66 | Feines rot 9 | Feines cyan 9 | 000 ⇔ 255 | RGBW-Modus: 0–100% / CMY-Modus: 100–0% |
| 67 | Grün 9 | Magenta 9 | 000 ⇔ 255 | RGBW-Modus: 0–100% / CMY-Modus: 100–0% |
| 68 | Feines grün 9 | Feines magenta 9 | 000 ⇔ 255 | RGBW-Modus: 0–100% / CMY-Modus: 100–0% |
| 69 | Blau 9 | Gelb 9 | 000 ⇔ 255 | RGBW-Modus: 0–100% / CMY-Modus: 100–0% |
| 70 | Feines blau 9 | Feines gelb 9 | 000 ⇔ 255 | RGBW-Modus: 0–100% / CMY-Modus: 100–0% |
| 71 | Weiß 9 | | 000 ⇔ 255 | RGBW-Modus: 0–100% / CMY-Modus: 100–0% |
| 72 | Feines weiß 9 | | 000 ⇔ 255 | RGBW-Modus: 0–100% / CMY-Modus: 100–0% |
| 73 | Rot 10 | Cyan 10 | 000 ⇔ 255 | RGBW-Modus: 0–100% / CMY-Modus: 100–0% |
| 74 | Feines rot 10 | Feines cyan 10 | 000 ⇔ 255 | RGBW-Modus: 0–100% / CMY-Modus: 100–0% |
| 75 | Grün 10 | Magenta 10 | 000 ⇔ 255 | RGBW-Modus: 0–100% / CMY-Modus: 100–0% |
| 76 | Feines grün 10 | Feines magenta 10 | 000 ⇔ 255 | RGBW-Modus: 0–100% / CMY-Modus: 100–0% |
| 77 | Blau 10 | Gelb 10 | 000 ⇔ 255 | RGBW-Modus: 0–100% / CMY-Modus: 100–0% |
| 78 | Feines blau 10 | Feines gelb 10 | 000 ⇔ 255 | RGBW-Modus: 0–100% / CMY-Modus: 100–0% |
| 79 | Weiß 10 | | 000 ⇔ 255 | RGBW-Modus: 0–100% / CMY-Modus: 100–0% |
| 80 | Feines weiß 10 | | 000 ⇔ 255 | RGBW-Modus: 0–100% / CMY-Modus: 100–0% |
| 81 | Rot 11 | Cyan 11 | 000 ⇔ 255 | RGBW-Modus: 0–100% / CMY-Modus: 100–0% |
| 82 | Feines rot 11 | Feines cyan 11 | 000 ⇔ 255 | RGBW-Modus: 0–100% / CMY-Modus: 100–0% |
| 83 | Grün 11 | Magenta 11 | 000 ⇔ 255 | RGBW-Modus: 0–100% / CMY-Modus: 100–0% |
| 84 | Feines grün 11 | Feines magenta 11 | 000 ⇔ 255 | RGBW-Modus: 0–100% / CMY-Modus: 100–0% |
| 85 | Blau 11 | Gelb 11 | 000 ⇔ 255 | RGBW-Modus: 0–100% / CMY-Modus: 100–0% |
| 86 | Feines blau 11 | Feines gelb 11 | 000 ⇔ 255 | RGBW-Modus: 0–100% / CMY-Modus: 100–0% |
| 87 | Weiß 11 | | 000 ⇔ 255 | RGBW-Modus: 0–100% / CMY-Modus: 100–0% |
| 88 | Feines weiß 11 | | 000 ⇔ 255 | RGBW-Modus: 0–100% / CMY-Modus: 100–0% |
| 89 | Rot 12 | Cyan 12 | 000 ⇔ 255 | RGBW-Modus: 0–100% / CMY-Modus: 100–0% |
| 90 | Feines rot 12 | Feines cyan 12 | 000 ⇔ 255 | RGBW-Modus: 0–100% / CMY-Modus: 100–0% |
| 91 | Grün 12 | Magenta 12 | 000 ⇔ 255 | RGBW-Modus: 0–100% / CMY-Modus: 100–0% |
| 92 | Feines grün 12 | Feines magenta 12 | 000 ⇔ 255 | RGBW-Modus: 0–100% / CMY-Modus: 100–0% |
| 93 | Blau 12 | Gelb 12 | 000 ⇔ 255 | RGBW-Modus: 0–100% / CMY-Modus: 100–0% |
| 94 | Feines blau 12 | Feines gelb 12 | 000 ⇔ 255 | RGBW-Modus: 0–100% / CMY-Modus: 100–0% |
| 95 | Weiß 12 | | 000 ⇔ 255 | RGBW-Modus: 0–100% / CMY-Modus: 100–0% |
| 96 | Feines weiß 12 | | 000 ⇔ 255 | RGBW-Modus: 0–100% / CMY-Modus: 100–0% |
| 97 | Rot 13 | Cyan 13 | 000 ⇔ 255 | RGBW-Modus: 0–100% / CMY-Modus: 100–0% |
| 98 | Feines rot 13 | Feines cyan 13 | 000 ⇔ 255 | RGBW-Modus: 0–100% / CMY-Modus: 100–0% |
| 99 | Grün 13 | Magenta 13 | 000 ⇔ 255 | RGBW-Modus: 0–100% / CMY-Modus: 100–0% |
| 100 | Feines grün 13 | Feines magenta 13 | 000 ⇔ 255 | RGBW-Modus: 0–100% / CMY-Modus: 100–0% |
| 101 | Blau 13 | Gelb 13 | 000 ⇔ 255 | RGBW-Modus: 0–100% / CMY-Modus: 100–0% |

| Kanal | Funktion | Wert | Prozent/Einstellung |
|-------|----------------------------------|-----------|--|
| 102 | Feines blau 13 Feines gelb 13 | 000 ⇔ 255 | RGBW-Modus: 0–100% / CMY-Modus: 100–0% |
| 103 | Weiß 13 | 000 ⇔ 255 | RGBW-Modus: 0–100% / CMY-Modus: 100–0% |
| 104 | Feines weiß 13 | 000 ⇔ 255 | RGBW-Modus: 0–100% / CMY-Modus: 100–0% |
| 105 | Rot 14 Cyan 14 | 000 ⇔ 255 | RGBW-Modus: 0–100% / CMY-Modus: 100–0% |
| 106 | Feines rot 14 Feines cyan 14 | 000 ⇔ 255 | RGBW-Modus: 0–100% / CMY-Modus: 100–0% |
| 107 | Grün 14 Magenta 14 | 000 ⇔ 255 | RGBW-Modus: 0–100% / CMY-Modus: 100–0% |
| 108 | Feines grün 14 Feines magenta 14 | 000 ⇔ 255 | RGBW-Modus: 0–100% / CMY-Modus: 100–0% |
| 109 | Blau 14 Gelb 14 | 000 ⇔ 255 | RGBW-Modus: 0–100% / CMY-Modus: 100–0% |
| 110 | Feines blau 14 Feines gelb 14 | 000 ⇔ 255 | RGBW-Modus: 0–100% / CMY-Modus: 100–0% |
| 111 | Weiß 14 | 000 ⇔ 255 | RGBW-Modus: 0–100% / CMY-Modus: 100–0% |
| 112 | Feines weiß 14 | 000 ⇔ 255 | RGBW-Modus: 0–100% / CMY-Modus: 100–0% |
| 113 | Rot 15 Cyan 15 | 000 ⇔ 255 | RGBW-Modus: 0–100% / CMY-Modus: 100–0% |
| 114 | Feines rot 15 Feines cyan 15 | 000 ⇔ 255 | RGBW-Modus: 0–100% / CMY-Modus: 100–0% |
| 115 | Grün 15 Magenta 15 | 000 ⇔ 255 | RGBW-Modus: 0–100% / CMY-Modus: 100–0% |
| 116 | Feines grün 15 Feines magenta 15 | 000 ⇔ 255 | RGBW-Modus: 0–100% / CMY-Modus: 100–0% |
| 117 | Blau 15 Gelb 15 | 000 ⇔ 255 | RGBW-Modus: 0–100% / CMY-Modus: 100–0% |
| 118 | Feines blau 15 Feines gelb 15 | 000 ⇔ 255 | RGBW-Modus: 0–100% / CMY-Modus: 100–0% |
| 119 | Weiß 15 | 000 ⇔ 255 | RGBW-Modus: 0–100% / CMY-Modus: 100–0% |
| 120 | Feines weiß 15 | 000 ⇔ 255 | RGBW-Modus: 0–100% / CMY-Modus: 100–0% |
| 121 | Rot 16 Cyan 16 | 000 ⇔ 255 | RGBW-Modus: 0–100% / CMY-Modus: 100–0% |
| 122 | Feines rot 16 Feines cyan 16 | 000 ⇔ 255 | RGBW-Modus: 0–100% / CMY-Modus: 100–0% |
| 123 | Grün 16 Magenta 16 | 000 ⇔ 255 | RGBW-Modus: 0–100% / CMY-Modus: 100–0% |
| 124 | Feines grün 16 Feines magenta 16 | 000 ⇔ 255 | RGBW-Modus: 0–100% / CMY-Modus: 100–0% |
| 125 | Blau 16 Gelb 16 | 000 ⇔ 255 | RGBW-Modus: 0–100% / CMY-Modus: 100–0% |
| 126 | Feines blau 16 Feines gelb 16 | 000 ⇔ 255 | RGBW-Modus: 0–100% / CMY-Modus: 100–0% |
| 127 | Weiß 16 | 000 ⇔ 255 | RGBW-Modus: 0–100% / CMY-Modus: 100–0% |
| 128 | Feines weiß 16 | 000 ⇔ 255 | RGBW-Modus: 0–100% / CMY-Modus: 100–0% |

Dual Control Pixels: Standardmodus (64CH)

| Kanal | Funktion | Wert | Prozent/Einstellung |
|-------|------------------|-----------|--|
| 1 | Rot 1 Cyan 1 | 000 ⇔ 255 | RGBW-Modus: 0–100% / CMY-Modus: 100–0% |
| 2 | Grün 1 Magenta 1 | 000 ⇔ 255 | RGBW-Modus: 0–100% / CMY-Modus: 100–0% |
| 3 | Blau 1 Gelb 1 | 000 ⇔ 255 | RGBW-Modus: 0–100% / CMY-Modus: 100–0% |
| 4 | Weiß 1 | 000 ⇔ 255 | RGBW-Modus: 0–100% / CMY-Modus: 100–0% |
| 5 | Rot 2 Cyan 2 | 000 ⇔ 255 | RGBW-Modus: 0–100% / CMY-Modus: 100–0% |
| 6 | Grün 2 Magenta 2 | 000 ⇔ 255 | RGBW-Modus: 0–100% / CMY-Modus: 100–0% |
| 7 | Blau 2 Gelb 2 | 000 ⇔ 255 | RGBW-Modus: 0–100% / CMY-Modus: 100–0% |
| 8 | Weiß 2 | 000 ⇔ 255 | RGBW-Modus: 0–100% / CMY-Modus: 100–0% |
| 9 | Rot 3 Cyan 3 | 000 ⇔ 255 | RGBW-Modus: 0–100% / CMY-Modus: 100–0% |
| 10 | Grün 3 Magenta 3 | 000 ⇔ 255 | RGBW-Modus: 0–100% / CMY-Modus: 100–0% |
| 11 | Blau 3 Gelb 3 | 000 ⇔ 255 | RGBW-Modus: 0–100% / CMY-Modus: 100–0% |
| 12 | Weiß 3 | 000 ⇔ 255 | RGBW-Modus: 0–100% / CMY-Modus: 100–0% |
| 13 | Rot 4 Cyan 4 | 000 ⇔ 255 | RGBW-Modus: 0–100% / CMY-Modus: 100–0% |
| 14 | Grün 4 Magenta 4 | 000 ⇔ 255 | RGBW-Modus: 0–100% / CMY-Modus: 100–0% |
| 15 | Blau 4 Gelb 4 | 000 ⇔ 255 | RGBW-Modus: 0–100% / CMY-Modus: 100–0% |
| 16 | Weiß 4 | 000 ⇔ 255 | RGBW-Modus: 0–100% / CMY-Modus: 100–0% |
| 17 | Rot 5 Cyan 5 | 000 ⇔ 255 | RGBW-Modus: 0–100% / CMY-Modus: 100–0% |
| 18 | Grün 5 Magenta 5 | 000 ⇔ 255 | RGBW-Modus: 0–100% / CMY-Modus: 100–0% |
| 19 | Blau 5 Gelb 5 | 000 ⇔ 255 | RGBW-Modus: 0–100% / CMY-Modus: 100–0% |
| 20 | Weiß 5 | 000 ⇔ 255 | RGBW-Modus: 0–100% / CMY-Modus: 100–0% |

| Kanal | Funktion | Wert | Prozent/Einstellung |
|-------|-------------------------|-----------|--|
| 21 | Rot 6 Cyan 6 | 000 ⇔ 255 | RGBW-Modus: 0–100% / CMY-Modus: 100–0% |
| 22 | Grün 6 Magenta 6 | 000 ⇔ 255 | RGBW-Modus: 0–100% / CMY-Modus: 100–0% |
| 23 | Blau 6 Gelb 6 | 000 ⇔ 255 | RGBW-Modus: 0–100% / CMY-Modus: 100–0% |
| 24 | Weiß 6 | 000 ⇔ 255 | RGBW-Modus: 0–100% / CMY-Modus: 100–0% |
| 25 | Rot 7 Cyan 7 | 000 ⇔ 255 | RGBW-Modus: 0–100% / CMY-Modus: 100–0% |
| 26 | Grün 7 Magenta 7 | 000 ⇔ 255 | RGBW-Modus: 0–100% / CMY-Modus: 100–0% |
| 27 | Blau 7 Gelb 7 | 000 ⇔ 255 | RGBW-Modus: 0–100% / CMY-Modus: 100–0% |
| 28 | Weiß 7 | 000 ⇔ 255 | RGBW-Modus: 0–100% / CMY-Modus: 100–0% |
| 29 | Rot 8 Cyan 8 | 000 ⇔ 255 | RGBW-Modus: 0–100% / CMY-Modus: 100–0% |
| 30 | Grün 8 Magenta 8 | 000 ⇔ 255 | RGBW-Modus: 0–100% / CMY-Modus: 100–0% |
| 31 | Blau 8 Gelb 8 | 000 ⇔ 255 | RGBW-Modus: 0–100% / CMY-Modus: 100–0% |
| 32 | Weiß 8 | 000 ⇔ 255 | RGBW-Modus: 0–100% / CMY-Modus: 100–0% |
| 33 | Rot 9 Cyan 9 | 000 ⇔ 255 | RGBW-Modus: 0–100% / CMY-Modus: 100–0% |
| 34 | Grün 9 Magenta 9 | 000 ⇔ 255 | RGBW-Modus: 0–100% / CMY-Modus: 100–0% |
| 35 | Blau 9 Gelb 9 | 000 ⇔ 255 | RGBW-Modus: 0–100% / CMY-Modus: 100–0% |
| 36 | Weiß 9 | 000 ⇔ 255 | RGBW-Modus: 0–100% / CMY-Modus: 100–0% |
| 37 | Rot 10 Cyan 10 | 000 ⇔ 255 | RGBW-Modus: 0–100% / CMY-Modus: 100–0% |
| 38 | Grün 10 Magenta 10 | 000 ⇔ 255 | RGBW-Modus: 0–100% / CMY-Modus: 100–0% |
| 39 | Blau 10 Gelb 10 | 000 ⇔ 255 | RGBW-Modus: 0–100% / CMY-Modus: 100–0% |
| 40 | Weiß 10 | 000 ⇔ 255 | RGBW-Modus: 0–100% / CMY-Modus: 100–0% |
| 41 | Rot 11 Cyan 11 | 000 ⇔ 255 | RGBW-Modus: 0–100% / CMY-Modus: 100–0% |
| 42 | Grün 11 Magenta 11 | 000 ⇔ 255 | RGBW-Modus: 0–100% / CMY-Modus: 100–0% |
| 43 | Blau 11 Gelb 11 | 000 ⇔ 255 | RGBW-Modus: 0–100% / CMY-Modus: 100–0% |
| 44 | Weiß 11 | 000 ⇔ 255 | RGBW-Modus: 0–100% / CMY-Modus: 100–0% |
| 45 | Rot 12 Cyan 12 | 000 ⇔ 255 | RGBW-Modus: 0–100% / CMY-Modus: 100–0% |
| 46 | Grün 12 Magenta 12 | 000 ⇔ 255 | RGBW-Modus: 0–100% / CMY-Modus: 100–0% |
| 47 | Blau 12 Gelb 12 | 000 ⇔ 255 | RGBW-Modus: 0–100% / CMY-Modus: 100–0% |
| 48 | Weiß 12 | 000 ⇔ 255 | RGBW-Modus: 0–100% / CMY-Modus: 100–0% |
| 49 | Rot 13 Cyan 13 | 000 ⇔ 255 | RGBW-Modus: 0–100% / CMY-Modus: 100–0% |
| 50 | Grün 13 Magenta 13 | 000 ⇔ 255 | RGBW-Modus: 0–100% / CMY-Modus: 100–0% |
| 51 | Blau 13 Gelb 13 | 000 ⇔ 255 | RGBW-Modus: 0–100% / CMY-Modus: 100–0% |
| 52 | Weiß 13 | 000 ⇔ 255 | RGBW-Modus: 0–100% / CMY-Modus: 100–0% |
| 53 | Rot 14 Cyan 14 | 000 ⇔ 255 | RGBW-Modus: 0–100% / CMY-Modus: 100–0% |
| 54 | Grün 14 Magenta 14 | 000 ⇔ 255 | RGBW-Modus: 0–100% / CMY-Modus: 100–0% |
| 55 | Blau 14 Gelb 14 | 000 ⇔ 255 | RGBW-Modus: 0–100% / CMY-Modus: 100–0% |
| 56 | Weiß 14 | 000 ⇔ 255 | RGBW-Modus: 0–100% / CMY-Modus: 100–0% |
| 57 | Rot 15 Cyan 15 | 000 ⇔ 255 | RGBW-Modus: 0–100% / CMY-Modus: 100–0% |
| 58 | Grün 15 Magenta 15 | 000 ⇔ 255 | RGBW-Modus: 0–100% / CMY-Modus: 100–0% |
| 59 | Blau 15 Gelb 15 | 000 ⇔ 255 | RGBW-Modus: 0–100% / CMY-Modus: 100–0% |
| 60 | Weiß 15 | 000 ⇔ 255 | RGBW-Modus: 0–100% / CMY-Modus: 100–0% |
| 61 | Rot 16 Cyan 16 | 000 ⇔ 255 | RGBW-Modus: 0–100% / CMY-Modus: 100–0% |
| 62 | Grün 16 Magenta 16 | 000 ⇔ 255 | RGBW-Modus: 0–100% / CMY-Modus: 100–0% |
| 63 | Blau 16 Gelb 16 | 000 ⇔ 255 | RGBW-Modus: 0–100% / CMY-Modus: 100–0% |
| 64 | Weiß 16 | 000 ⇔ 255 | RGBW-Modus: 0–100% / CMY-Modus: 100–0% |

Dual Control Pixels: Basic-modus (48CH)

| Kanal | Funktion | | Wert | Prozent/Einstellung |
|-------|----------|------------|-----------|--|
| 1 | Rot 1 | Cyan 1 | 000 ⇔ 255 | RGBW-Modus: 0–100% / CMY-Modus: 100–0% |
| 2 | Grün 1 | Magenta 1 | 000 ⇔ 255 | RGBW-Modus: 0–100% / CMY-Modus: 100–0% |
| 3 | Blau 1 | Gelb 1 | 000 ⇔ 255 | RGBW-Modus: 0–100% / CMY-Modus: 100–0% |
| 4 | Rot 2 | Cyan 2 | 000 ⇔ 255 | RGBW-Modus: 0–100% / CMY-Modus: 100–0% |
| 5 | Grün 2 | Magenta 2 | 000 ⇔ 255 | RGBW-Modus: 0–100% / CMY-Modus: 100–0% |
| 6 | Blau 2 | Gelb 2 | 000 ⇔ 255 | RGBW-Modus: 0–100% / CMY-Modus: 100–0% |
| 7 | Rot 3 | Cyan 3 | 000 ⇔ 255 | RGBW-Modus: 0–100% / CMY-Modus: 100–0% |
| 8 | Grün 3 | Magenta 3 | 000 ⇔ 255 | RGBW-Modus: 0–100% / CMY-Modus: 100–0% |
| 9 | Blau 3 | Gelb 3 | 000 ⇔ 255 | RGBW-Modus: 0–100% / CMY-Modus: 100–0% |
| 10 | Rot 4 | Cyan 4 | 000 ⇔ 255 | RGBW-Modus: 0–100% / CMY-Modus: 100–0% |
| 11 | Grün 4 | Magenta 4 | 000 ⇔ 255 | RGBW-Modus: 0–100% / CMY-Modus: 100–0% |
| 12 | Blau 4 | Gelb 4 | 000 ⇔ 255 | RGBW-Modus: 0–100% / CMY-Modus: 100–0% |
| 13 | Rot 5 | Cyan 5 | 000 ⇔ 255 | RGBW-Modus: 0–100% / CMY-Modus: 100–0% |
| 14 | Grün 5 | Magenta 5 | 000 ⇔ 255 | RGBW-Modus: 0–100% / CMY-Modus: 100–0% |
| 15 | Blau 5 | Gelb 5 | 000 ⇔ 255 | RGBW-Modus: 0–100% / CMY-Modus: 100–0% |
| 16 | Rot 6 | Cyan 6 | 000 ⇔ 255 | RGBW-Modus: 0–100% / CMY-Modus: 100–0% |
| 17 | Grün 6 | Magenta 6 | 000 ⇔ 255 | RGBW-Modus: 0–100% / CMY-Modus: 100–0% |
| 18 | Blau 6 | Gelb 6 | 000 ⇔ 255 | RGBW-Modus: 0–100% / CMY-Modus: 100–0% |
| 19 | Rot 7 | Cyan 7 | 000 ⇔ 255 | RGBW-Modus: 0–100% / CMY-Modus: 100–0% |
| 20 | Grün 7 | Magenta 7 | 000 ⇔ 255 | RGBW-Modus: 0–100% / CMY-Modus: 100–0% |
| 21 | Blau 7 | Gelb 7 | 000 ⇔ 255 | RGBW-Modus: 0–100% / CMY-Modus: 100–0% |
| 22 | Rot 8 | Cyan 8 | 000 ⇔ 255 | RGBW-Modus: 0–100% / CMY-Modus: 100–0% |
| 23 | Grün 8 | Magenta 8 | 000 ⇔ 255 | RGBW-Modus: 0–100% / CMY-Modus: 100–0% |
| 24 | Blau 8 | Gelb 8 | 000 ⇔ 255 | RGBW-Modus: 0–100% / CMY-Modus: 100–0% |
| 25 | Rot 9 | Cyan 9 | 000 ⇔ 255 | RGBW-Modus: 0–100% / CMY-Modus: 100–0% |
| 26 | Grün 9 | Magenta 9 | 000 ⇔ 255 | RGBW-Modus: 0–100% / CMY-Modus: 100–0% |
| 27 | Blau 9 | Gelb 9 | 000 ⇔ 255 | RGBW-Modus: 0–100% / CMY-Modus: 100–0% |
| 28 | Rot 10 | Cyan 10 | 000 ⇔ 255 | RGBW-Modus: 0–100% / CMY-Modus: 100–0% |
| 29 | Grün 10 | Magenta 10 | 000 ⇔ 255 | RGBW-Modus: 0–100% / CMY-Modus: 100–0% |
| 30 | Blau 10 | Gelb 10 | 000 ⇔ 255 | RGBW-Modus: 0–100% / CMY-Modus: 100–0% |
| 31 | Rot 11 | Cyan 11 | 000 ⇔ 255 | RGBW-Modus: 0–100% / CMY-Modus: 100–0% |
| 32 | Grün 11 | Magenta 11 | 000 ⇔ 255 | RGBW-Modus: 0–100% / CMY-Modus: 100–0% |
| 33 | Blau 11 | Gelb 11 | 000 ⇔ 255 | RGBW-Modus: 0–100% / CMY-Modus: 100–0% |
| 34 | Rot 12 | Cyan 12 | 000 ⇔ 255 | RGBW-Modus: 0–100% / CMY-Modus: 100–0% |
| 35 | Grün 12 | Magenta 12 | 000 ⇔ 255 | RGBW-Modus: 0–100% / CMY-Modus: 100–0% |
| 36 | Blau 12 | Gelb 12 | 000 ⇔ 255 | RGBW-Modus: 0–100% / CMY-Modus: 100–0% |
| 37 | Rot 13 | Cyan 13 | 000 ⇔ 255 | RGBW-Modus: 0–100% / CMY-Modus: 100–0% |
| 38 | Grün 13 | Magenta 13 | 000 ⇔ 255 | RGBW-Modus: 0–100% / CMY-Modus: 100–0% |
| 39 | Blau 13 | Gelb 13 | 000 ⇔ 255 | RGBW-Modus: 0–100% / CMY-Modus: 100–0% |
| 40 | Rot 14 | Cyan 14 | 000 ⇔ 255 | RGBW-Modus: 0–100% / CMY-Modus: 100–0% |
| 41 | Grün 14 | Magenta 14 | 000 ⇔ 255 | RGBW-Modus: 0–100% / CMY-Modus: 100–0% |
| 42 | Blau 14 | Gelb 14 | 000 ⇔ 255 | RGBW-Modus: 0–100% / CMY-Modus: 100–0% |
| 43 | Rot 15 | Cyan 15 | 000 ⇔ 255 | RGBW-Modus: 0–100% / CMY-Modus: 100–0% |
| 44 | Grün 15 | Magenta 15 | 000 ⇔ 255 | RGBW-Modus: 0–100% / CMY-Modus: 100–0% |
| 45 | Blau 15 | Gelb 15 | 000 ⇔ 255 | RGBW-Modus: 0–100% / CMY-Modus: 100–0% |
| 46 | Rot 16 | Cyan 16 | 000 ⇔ 255 | RGBW-Modus: 0–100% / CMY-Modus: 100–0% |
| 47 | Grün 16 | Magenta 16 | 000 ⇔ 255 | RGBW-Modus: 0–100% / CMY-Modus: 100–0% |
| 48 | Blau 16 | Gelb 16 | 000 ⇔ 255 | RGBW-Modus: 0–100% / CMY-Modus: 100–0% |

Farbkarte

| Wert | Prozent/Einstellung | | | | |
|------------------|--|-----------|-----------|-----------|---------|
| 000 | Kein Funktion | | | | |
| 001 ⇔ 002 | Weiß 2700K | R = 156 | G = 118 | B = 0 | W = 63 |
| 003 ⇔ 004 | Weiß 3200K | R = 156 | G = 141 | B = 5 | W = 89 |
| 005 ⇔ 006 | Weiß 4200K | R = 156 | G = 141 | B = 14 | W = 255 |
| 007 ⇔ 008 | Weiß 5600K | R = 156 | G = 207 | B = 54 | W = 255 |
| 009 ⇔ 010 | Weiß 8000K | R = 130 | G = 255 | B = 96 | W = 255 |
| 011 | Blau | R = 0 | G = 0 | B = 255 | W = 0 |
| 012 ⇔ 048 | + Grün | R = 0 | G = 0–255 | B = 255 | W = 0 |
| 049 | Cyan | R = 0 | G = 255 | B = 255 | W = 0 |
| 050 ⇔ 086 | - Blau | R = 0 | G = 255 | B = 255–0 | W = 0 |
| 087 | Grün | R = 0 | G = 255 | B = 0 | W = 0 |
| 088 ⇔ 124 | + Rot | R = 0–255 | G = 255 | B = 0 | W = 0 |
| 125 | Yellow | R = 255 | G = 255 | B = 0 | W = 0 |
| 126 ⇔ 162 | - Grün | R = 255 | G = 255–0 | B = 0 | W = 0 |
| 163 | Rot | R = 255 | G = 0 | B = 0 | W = 0 |
| 164 ⇔ 200 | + Blau | R = 255 | G = 0 | B = 0–255 | W = 0 |
| 201 | Magenta | R = 255 | G = 0 | B = 255 | W = 0 |
| 202 ⇔ 238 | - Rot | R = 255–0 | G = 0 | B = 255 | W = 0 |
| 239 | Blau | R = 0 | G = 0 | B = 255 | W = 0 |
| 240 ⇔ 247 | Farbe verblassen, schnell bis langsam | | | | |
| 248 ⇔ 255 | Farbschnappschuss, schnell bis langsam | | | | |

Blitzeinstellungen

| Wert | Prozent/Einstellung | Wert | Prozent/Einstellung |
|------------------|---|------------------|---|
| 000 ⇔ 019 | Aus | 145 ⇔ 149 | An |
| 020 ⇔ 024 | An | 150 ⇔ 164 | Zufalls-Strobe 0–100%, von schnell nach langsam |
| 025 ⇔ 064 | Strobe, von schnell nach langsam | 165 ⇔ 169 | An |
| 065 ⇔ 069 | An | 170 ⇔ 184 | Pulse-Strobe, von schnell nach langsam |
| 070 ⇔ 084 | Strobe 100–0%, von schnell nach langsam | 185 ⇔ 189 | An |
| 085 ⇔ 089 | An | 190 ⇔ 204 | Zufalls-Pulse-Strobe, von schnell nach langsam |
| 090 ⇔ 104 | Strobe 0–100%, von schnell nach langsam | 205 ⇔ 209 | An |
| 105 ⇔ 109 | An | 210 ⇔ 224 | Strobe 0–100–0%, von schnell nach langsam |
| 110 ⇔ 124 | Zufalls-Strobe, von schnell nach langsam | 225 ⇔ 229 | An |
| 125 ⇔ 129 | An | 230 ⇔ 244 | Zufalls-Pulse-Strobe, von schnell nach langsam |
| 130 ⇔ 144 | Zufalls-Strobe 100–0%, von schnell nach langsam | 245 ⇔ 255 | An |

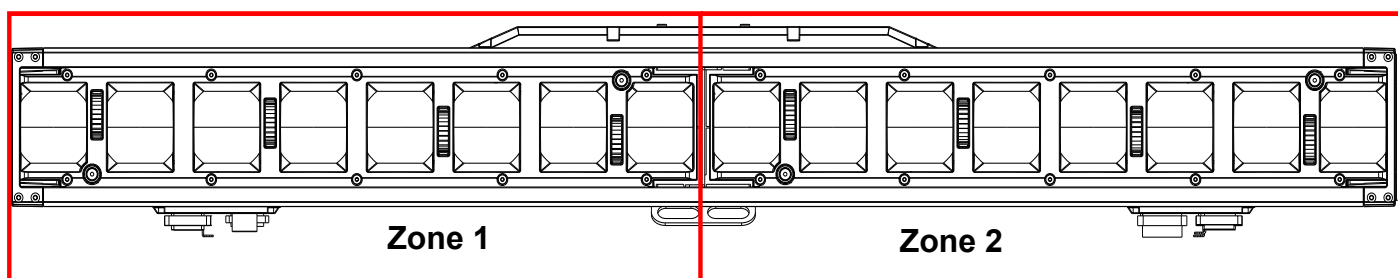
Steuerungseinstellungen

| Wert | Prozent/Einstellung | Wert | Prozent/Einstellung |
|------------------|--------------------------------------|------------------|--------------------------------------|
| 000 ⇔ 009 | Kein Funktion | 095 ⇔ 099 | Reserviert für zukünftige Verwendung |
| 010 ⇔ 014 | Blackout bei Neigen | 100 ⇔ 104 | Tilt reverse deaktivieren |
| 015 ⇔ 019 | Reserviert für zukünftige Verwendung | 105 ⇔ 119 | Reserviert für zukünftige Verwendung |
| 020 ⇔ 024 | RGBW-Farbmischmodus (additiv) | 120 ⇔ 124 | Langsamer Lüftermodus |
| 025 ⇔ 029 | CMY-Farbmischmodus (subtraktiv) | 125 ⇔ 129 | Voller Lüftermodus |
| 030 ⇔ 039 | Reserviert für zukünftige Verwendung | 130 ⇔ 134 | Automatischer Lüftermodus |
| 040 ⇔ 044 | Lüfter auftauen | 135 ⇔ 139 | Schneller Dimmmodus |
| 045 ⇔ 049 | Lüfter abtauen | 140 ⇔ 144 | Langsamer Dimmmodus |
| 050 ⇔ 054 | Reserviert für zukünftige Verwendung | 145 ⇔ 149 | Linear |
| 055 ⇔ 059 | Neigungsrücksetzung | 150 ⇔ 154 | Square |
| 060 ⇔ 064 | Zoom zurückgesetzt | 155 ⇔ 159 | i Squa |
| 065 ⇔ 069 | Reserviert für zukünftige Verwendung | 160 ⇔ 164 | SCurve |
| 070 ⇔ 074 | Alles zurücksetzen | 165 ⇔ 169 | Weißmodus |
| 075 ⇔ 089 | Reserviert für zukünftige Verwendung | 170 ⇔ 174 | Vollmodus |
| 090 ⇔ 094 | Tilt reverse | 175 ⇔ 255 | Reserviert für zukünftige Verwendung |

LED Makro

| Wert | Prozent/Einstellung | Wert | Prozent/Einstellung |
|-----------|---------------------------------------|-----------|---|
| 000 ⇔ 015 | Keine Funktion | 136 ⇔ 137 | Automatisches Farbmakro 38 |
| 016 ⇔ 017 | Farbsteuerbares Makro 1 | 138 ⇔ 139 | Automatisches Farbmakro 39 |
| 018 ⇔ 019 | Farbsteuerbares Makro 2 | 140 ⇔ 141 | Automatisches Farbmakro 40 |
| 020 ⇔ 021 | Farbsteuerbares Makro 3 | 142 ⇔ 143 | Automatisches Farbmakro 41 |
| 022 ⇔ 023 | Farbsteuerbares Makro 4 | 144 ⇔ 145 | Automatisches Farbmakro 42 |
| 024 ⇔ 025 | Farbsteuerbares Makro 5 | 146 ⇔ 147 | Automatisches Farbmakro 43 |
| 026 ⇔ 027 | Farbsteuerbares Makro 6 | 148 ⇔ 149 | Automatisches Farbmakro 44 |
| 028 ⇔ 029 | Farbsteuerbares Makro 7 | 150 ⇔ 151 | Automatisches Farbmakro 45 |
| 030 ⇔ 031 | Farbsteuerbares Makro 8 | 152 ⇔ 153 | Automatisches Farbmakro 46 |
| 032 ⇔ 033 | Farbsteuerbares Makro 9 | 154 ⇔ 155 | Automatisches Farbmakro 47 |
| 034 ⇔ 035 | Farbsteuerbares Makro 10 | 156 ⇔ 157 | Automatisches Farbmakro 48 |
| 036 ⇔ 037 | Farbsteuerbares Makro 11 | 158 ⇔ 159 | Automatisches Farbmakro 49 |
| 038 ⇔ 039 | Farbsteuerbares Makro 12 | 160 ⇔ 161 | Automatisches Farbmakro 50 |
| 040 ⇔ 041 | Farbsteuerbares Makro 13 | 162 ⇔ 163 | Automatisches Farbmakro 51 |
| 042 ⇔ 043 | Farbsteuerbares Makro 14 | 164 ⇔ 165 | Automatisches Farbmakro 52 |
| 044 ⇔ 045 | Farbsteuerbares Makro 15 | 166 ⇔ 167 | Automatisches Farbmakro 53 |
| 046 ⇔ 047 | Farbsteuerbares Makro 16 | 168 ⇔ 169 | Automatisches Farbmakro 54 |
| 048 ⇔ 049 | Farbsteuerbares Makro 17 | 170 ⇔ 171 | Automatisches Farbmakro 55 |
| 050 ⇔ 051 | Farbsteuerbares Makro 18 | 172 ⇔ 173 | Automatisches Farbmakro 56 |
| 052 ⇔ 053 | Farbsteuerbares Makro 19 | 174 ⇔ 175 | Automatisches Farbmakro 57 |
| 054 ⇔ 055 | Farbsteuerbares Makro 20 | 176 ⇔ 177 | Automatisches Farbmakro 58 |
| 056 ⇔ 057 | Farbsteuerbares Makro 21 | 178 ⇔ 179 | Automatisches Farbmakro 59 |
| 058 ⇔ 059 | Farbsteuerbares Makro 22 | 180 ⇔ 181 | Automatisches Farbmakro 60 |
| 060 ⇔ 061 | Farbsteuerbares Makro 23 | 182 ⇔ 183 | Automatisches Farbmakro 61 |
| 062 ⇔ 063 | Farbsteuerbares Makro 24 | 184 ⇔ 185 | Automatisches Farbmakro 62 |
| 064 ⇔ 065 | Farbsteuerbares Makro 25 | 186 ⇔ 187 | Automatisches Farbmakro 63 |
| 066 ⇔ 067 | Farbsteuerbares Makro 26 | 188 ⇔ 189 | Automatisches Farbmakro 64 |
| 068 ⇔ 069 | Farbsteuerbares Makro 27 | 190 ⇔ 191 | Automatisches Farbmakro 65 |
| 070 ⇔ 071 | Farbsteuerbares Makro 28 | 192 ⇔ 193 | Automatisches Farbmakro 66 |
| 072 ⇔ 073 | Farbsteuerbares Makro 29 | 194 ⇔ 195 | Automatisches Farbmakro 67 |
| 074 ⇔ 075 | Farbsteuerbares Makro 30 | 196 ⇔ 197 | Automatisches Farbmakro 68 |
| 076 ⇔ 077 | Farbsteuerbares Makro 31 | 198 ⇔ 199 | Automatisches Farbmakro 69 |
| 078 ⇔ 079 | Farbsteuerbares Makro 32 | 200 ⇔ 201 | Automatisches Farbmakro 70 |
| 080 ⇔ 081 | Farbsteuerbares Makro 33 | 202 ⇔ 203 | Automatisches Farbmakro 71 |
| 082 ⇔ 083 | Farbsteuerbares Makro 34 | 204 ⇔ 205 | Automatisches Farbmakro 72 |
| 084 ⇔ 085 | Farbsteuerbares Makro 35 | 206 ⇔ 207 | Automatisches Farbmakro 73 |
| 086 ⇔ 087 | Farbsteuerbares Makro 36 | 208 ⇔ 255 | Automatisches Farbmakro 74 (Hauptmakro) |
| 088 ⇔ 135 | Farbsteuerbares Makro 37 (Hauptmakro) | | |

Zoomzonen



Over deze handleiding

De COLORado PXL Bar 16 Beknopte Handleiding (BH) bevat basisinformatie over het product, zoals aansluiting, montage, menu-opties en DMX-waarden. Download de gebruikershandleiding op www.chauvetprofessional.com voor meer informatie.

Disclaimer

De informatie en specificaties in deze BH kunnen zonder voorafgaande kennisgeving worden gewijzigd.

BEPERKTE GARANTIE

GA NAAR ONZE WEBSITE VOOR REGISTRATIE VAN DE GARANTIE EN DE VOLLEDIGE ALGEMENE VOORWAARDEN.

Voor klanten in de Verenigde Staten en Mexico: www.chauvetlighting.com/warranty-registration.

Voor klanten in het Verenigd Koninkrijk, Ierland, België, Nederland, Luxemburg, Frankrijk en Duitsland: www.chauvetlighting.eu/warranty-registration.

Chauvet garandeert dat dit product bij normaal gebruik vrij zal blijven van defecten in materiaal en vakmanschap, voor de opgegeven periode en onder voorbehoud van de uitzonderingen en beperkingen die zijn uiteengezet in de volledige beperkte garantie op onze website. Deze garantie geldt uitsluitend voor de oorspronkelijke koper van het product en is niet overdraagbaar. Om onder deze garantie rechten uit te oefenen, moet u een aankoopbewijs overleggen in de vorm van een origineel verkoopbewijs van een geautoriseerde dealer, waarop de naam van het product en de aankoopdatum zichtbaar zijn. ER ZIJN GEEN ANDERE EXPLICIETE OF IMPLICIETE GARANTIES. Deze garantie geeft u specifieke wettelijke rechten. Mogelijk heeft u ook andere rechten die van staat tot staat en van land tot land verschillen. Deze garantie is uitsluitend geldig in de Verenigde Staten, het Verenigd Koninkrijk, Ierland, België, Nederland, Luxemburg, Frankrijk, Duitsland en Mexico. Neem contact op met uw lokale verkoper voor garanti voorwaarden in andere landen.

Veiligheidsinstructies

- Open het product NIET. Het bevat geen te onderhouden onderdelen.
- Om onnodige slijtage te elimineren en zijn levensduur te verlengen, gedurende perioden wanneer het product niet wordt gebruikt, moet u het product van de stroom afsluiten door een aardlekschakelaar om te zetten of door het te ontkoppelen.
- Gebruik dit product NIET als de behuizing, lenzen of kabels beschadigd lijken.
- Sluit dit product NIET aan op een dimmer of een regelweerstand.
- KJK NIET in de lichtbron wanneer het apparaat is ingeschakeld.
- Dit product NIET onderdompelen (IP65). Tijdelijke gebruik buitenshuis is prima.
- Niet voor permanente buiteninstallatie in locaties met extreme weersomstandigheden. Dit is met inbegrip van, maar niet beperkt tot:
 - Blootstelling aan een marien/zout milieu (binnen 5 km van zout water).
 - Waar de gebruikelijke hoge of lage temperaturen van de locatie de temperatuurbereiken in deze handleiding overschrijden.
 - Locaties die kunnen overstromen of onder sneeuw begraven kunnen worden.
 - Andere gebieden waar het product blootstaat aan extreme straling of bijtende substanties.
- LET OP: De behuizing van dit product kan heet zijn wanneer het in bedrijf is.
- LET OP: Bij het verplaatsen van het product uit extreme omgevingen, (bijv. koude vrachtwagen naar warme, vochtige balzaal) kan er condensvorming optreden op de elektronica van het product. Om storingen te vermijden moet het product volledig kunnen acclimatiseren aan de omgeving voordat het op stroom wordt aangesloten.
- GEBRUIK een veiligheidskabel bij het boven het hoofd plaatsen van dit product.
- Sluit dit product UITSLUITEND op een geaard en beveiligd stroomcircuit.
- Gebruik UITSLUITEND de ophang-/montagebeugel om dit product te dragen.
- Plaats geen ontvlambaar materiaal binnen 20 cm van dit product als het in gebruik is of is aangesloten op het stopcontact.
- Monteer dit product op een plek met voldoende ventilatie, ten minste 20 cm van de aangrenzende oppervlakken.
- Stop in het geval van ernstige operationele problemen onmiddellijk met het gebruik.
- De maximale omgevingstemperatuur bedraagt 45 °C. Gebruik dit product niet bij hogere temperaturen.
- De armatuur moet zodanig geplaatst worden dat langdurig staren in de armatuur op een afstand van minder dan 3,0 m voorkomen wordt.
- Als de externe flexibele kabel of het snoer van deze armatuur beschadigd is, moet deze worden vervangen door een speciaal snoer of een snoer dat uitsluitend beschikbaar is bij de fabrikant of zijn onderhoudsagent.
- De lichtbron die in deze armatuur omvat is mag alleen vervangen worden door de fabrikant, of diens onderhoudsagent of een soortgelijk erkend persoon.
- De armatuur is uitsluitend bedoeld voor professioneel gebruik.

FCC-naleving

Dit apparaat voldoet aan Part 15 Part B van de FCC-regels. Het gebruik is onderworpen aan de volgende twee voorwaarden:

1. Dit apparaat mag geen schadelijke interferentie veroorzaken, en
2. Dit apparaat moet enige ontvangen interferentie accepteren, inclusief interferentie die een ongewenste werking kan veroorzaken.

Eventuele wijzigingen of aanpassingen die niet uitdrukkelijk door de voor naleving verantwoordelijke partij zijn goedgekeurd, kan de bevoegdheid van de gebruiker om de apparatuur te bedienen ongeldig verklaren.

Contact

Van buiten de VS, Verenigd Koninkrijk, Ierland, Benelux, Frankrijk, Duitsland of Mexico kunt u contact opnemen met de distributeur of om ondersteuning vragen dan wel het product retourneren. Raadpleeg [Contact Us](#) aan het einde van deze BH voor contactinformatie.

Wat is inbegrepen

- COLORado PXL Bar 16
- Seetronic Powerkon IP65 stroomsnoer
- 2 Omega-beugel met bevestigingsmateriaal
- Beknopte handleiding

AC-stroom

Dit product heeft een voeding met automatisch bereik die werkt met een ingangsspanning van 100–240 V~, 50/60 Hz.

Power Linking

U kunt tot 3 COLORado PXL Bar 16-producten koppelen bij 208, 230 of 240 V. Dit aantal niet overschrijden. Power Linking-snoeren kunnen apart aangeschaft worden.

AC-stekker

| Aansluiting | Snoer (VS) | Snoer (Europa) | Schroefkleur |
|-------------|------------|----------------|--------------|
| AC Live | Zwart | Bruin | Geel/messing |
| AC Neutraal | Wit | Blauw | Zilver |
| AC Aarde | Groen/geel | Groen/geel | Groen |



Om onnodige slijtage te elimineren en zijn levensduur te verlengen, gedurende perioden wanneer het product niet wordt gebruikt, moet u het product van de stroom afsluiten door een aardlekschakelaar om te zetten of door het te ontkoppelen.

Signaalverbindingen

U kunt de COLORado PXL Bar 16 aansluiten op een controller of controllersoftware met behulp van een DMX-aansluiting, een ethernetverbinding of beide. Bij het gebruik van andere Art-Net™, sACN, of Kling-Net-compatible producten met de COLORado PXL Bar 16, kunt u deze individueel aansturen op een enkel netwerk. Zie de gebruikershandleiding voor meer informatie over het verbinden en configureren van het product voor deze signalen.

Aansturingspersoonlijkheden

De COLORado PXL Bar 16 gebruikt DMX, Art-Net™, sACN en Kling-Net voor zijn aansturingspersoonlijkheden:

| Single Control | Dual Control Movement | Dual Control Pixels |
|---------------------------------|---------------------------------|--|
| Basic (20 kanalen) | Basic (8 kanalen) | Basic (48 kanalen) |
| Standard (84 kanalen) | Standard (20 kanalen) | Standard (64 kanalen) |
| Advanced (154 kanalen) | Advanced (26 kanalen) | Advanced (128 kanalen) |
| Tour (186 kanalen) | Gebruikt DMX, Art-Net™, of sACN | Gebruikt DMX, Art-Net™, sACN, of Kling-Net |
| Gebruikt DMX, Art-Net™, of sACN | | |



In "Dual Control"-modus kunnen het "Movement"-protocol en het "Pixels"-protocol niet hetzelfde zijn.

DMX-koppeling

De COLORado PXL Bar 16 kan met een DMX-controller werken met een 5-pins DMX seriële verbinding. Op www.chauvetprofessional.com is een DMX basishandleiding verkrijgbaar.

RDM (apparaatbeheer op afstand)

Remote Device Management of RDM (apparaatbeheer op afstand) is een standaard die het voor DMX-apparaten mogelijk maakt om in twee richtingen te communiceren over bestaande DMX-kabels. De COLORado PXL Bar 16 ondersteunt het RDM-protocol dat zorgt feedback toelaat bij de bewaking van wijzigingen aan de menu map-opties van. Download de gebruikershandleiding op www.chauvetprofessional.com voor meer informatie.

Art-Net™ aansluiting

Art-Net™ is een ethernet-protocol dat gebruikmaakt van TCP/IP dat over een groot netwerk grote hoeveelheden DMX512-gegevens verzendt met behulp van een Amphenol XLR Net RJ45-verbinding. Een Art-Net™-protocoldocument is te verkrijgen op www.chauvetprofessional.com. Chauvet Professional raadt het gebruik van unicast-modus voor het beste resultaat. Art-Net™ ontworpen en auteursrecht door Artistic Licence Holdings Ltd.

sACN aansluiting

Streaming-ACN staat ook wel bekend als ANSI E1.31 en is een ethernetprotocol dat de laag- en opmaakstructuur gebruikt van Architecture for Control Networks om DMX512-gegevens te transporteren over IP of een ander ACN compatibel netwerk.

Kling-Net-aansluiting

Kling-Net is een networkprotocol dat de automatische configuratie van displayapparaten met een etherCON RJ45 Ethernet-verbinding mogelijk maakt. Raadpleeg de ArKaos softwarehandleiding voor uitgebreide instructies over het programmeren van dit product.



- Voor een goede werking heeft de ArKaos Kling-Net een gigabit (1000 Mbps) Ethernet-kaart en een netwerkrouter nodig.
- ArKaos Kling-Net loopt alleen in “Standard Pixels” of “Basic Pixels”-modi.

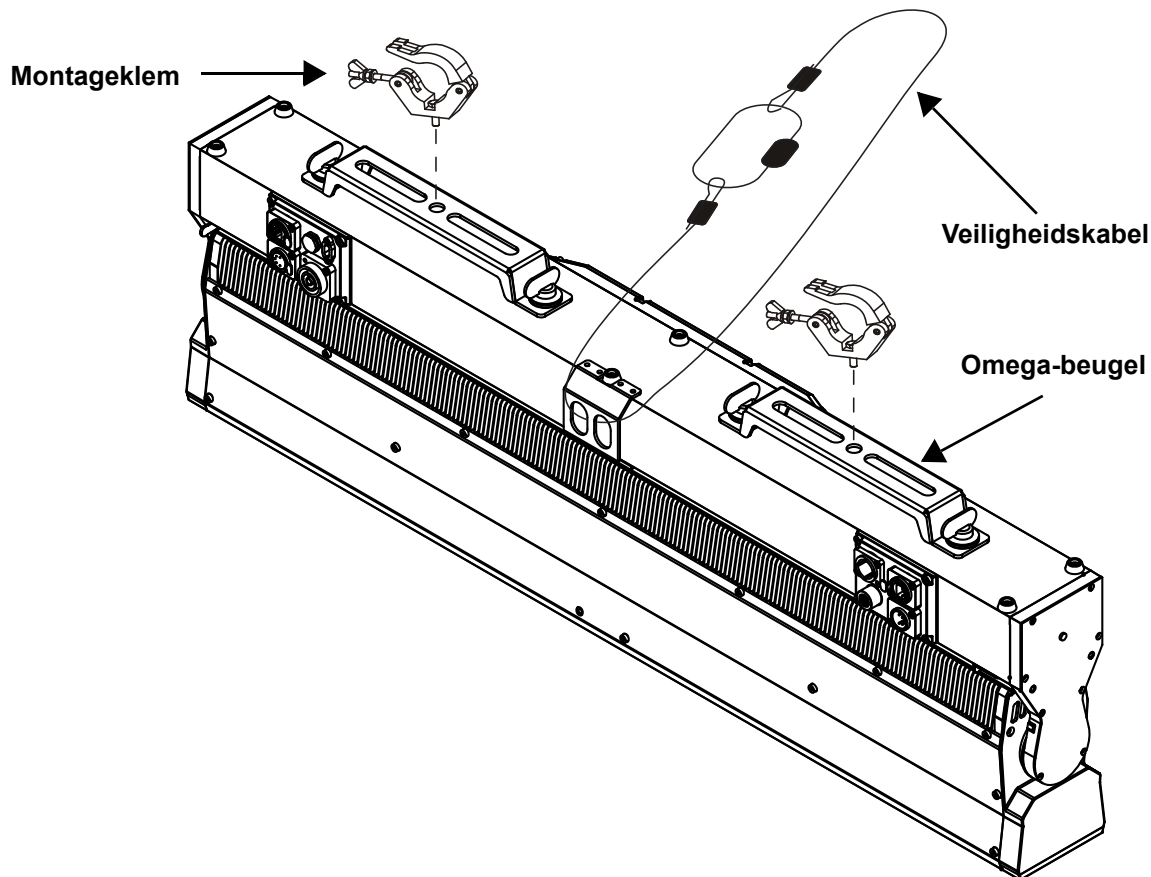
Master/slave-verbinding

De COLORado PXL Bar 16 maakt gebruik van de DMX-dataverbinding voor haar Master-/Slave-modus. Zie de gebruikershandleiding om te verbinden en te configureren voor Master/Slave-werking.

Montage

Lees alvorens dit product te monteren alle [Veiligheidsinstructies](#). Gebruik ten minste twee montagepunten per product. Controleer of de montageklem het gewicht van het product kan dragen. Ga voor onze Chauvet-serie montageklemmen naar <http://trusst.com/productcategory/truss-clamps/>.

Montagediagram van het product



Beschrijving bedieningspaneel

| Toets | Functie |
|---------|--|
| <MENU> | Sluit het huidige menu of functie af |
| <ENTER> | Activeert het huidige getoonde menu of plaatst de huidige geselecteerde waarde in de geselecteerde functie |
| <UP> | Navigeert omhoog via het menu of verhoogt de numerieke waarde wanneer in een functie |
| <DOWN> | Navigeert omlaag via het menu of verlaagt de numerieke waarde wanneer in een functie |

Menukaart

Raadpleeg de productpagina van COLORado PXL Bar 16 op www.chauvetprofessional.com voor de nieuwste menukaart.

| Programmeerniveaus | | | | Beschrijving | |
|--------------------|----------|-------------|----------|--|--------------------------------|
| Address | | | | Address belangrijkste niveau | |
| Single Control | DMX | Personality | Basic | Stelt de DMX persoonlijkheid in (Zie Aansturingspersoonlijkheden) | |
| | | | Standard | | |
| | | | Advanced | | |
| | | Tour | | | |
| | ArtNet | Personality | Basic | Stelt de Art-Net™ persoonlijkheid in (Zie Aansturingspersoonlijkheden) | |
| | | | Standard | | |
| | | | Advanced | | |
| | | Tour | | | |
| | sACN | Personality | Basic | Stelt de sACN persoonlijkheid in (Zie Aansturingspersoonlijkheden) | |
| | | | Standard | | |
| | | | Advanced | | |
| | | Tour | | | |
| Start Address | | | 0-512 | Stelt het DMX startadres in | |
| | Universe | | | 0-255 | Stelt de Art-Net™ universe in |
| | | Personality | Basic | Stelt de sACN persoonlijkheid in (Zie Aansturingspersoonlijkheden) | |
| | | | Standard | | |
| Advanced | | | | | |
| Tour | | | | | |
| Start Address | | | 0-512 | Stelt het sACN startadres in | |
| | Universe | | | 0-255 | Stelt de sACN universe in |
| | | Personality | Basic | Stelt de DMX persoonlijkheid in (Zie Aansturingspersoonlijkheden) | |
| | | | Standard | | |
| Advanced | | | | | |
| Tour | | | | | |
| Start Address | | | 0-512 | Stelt het DMX startadres in | |
| | Universe | | | 0-255 | Stelt de Art-Net™ universe in |
| | | Personality | Basic | Stelt de sACN persoonlijkheid in (Zie Aansturingspersoonlijkheden) | |
| | | | Standard | | |
| Advanced | | | | | |
| Tour | | | | | |
| Start Address | | | 0-512 | Stelt het sACN startadres in | |
| | Universe | | | 0-255 | Stelt de sACN universe in |
| | | Personality | Basic | Stelt de DMX persoonlijkheid in (Zie Aansturingspersoonlijkheden) | |
| | | | Standard | | |
| Advanced | | | | | |
| Tour | | | | | |
| Start Address | | | 0-512 | Stelt het DMX startadres in | |
| | Universe | | | 0-255 | Stelt de Art-Net™ universe in |
| | | Personality | Basic | Stelt de Art-Net™ persoonlijkheid in (Zie Aansturingspersoonlijkheden) | |
| | | | Standard | | |
| Advanced | | | | | |
| Tour | | | | | |
| Start Address | | | 0-512 | Stelt het Art-Net™ startadres in | |
| | Universe | | | 0-255 | Stelt de Art-Net™ universe in |
| | | Personality | Basic | Stelt de sACN persoonlijkheid in (Zie Aansturingspersoonlijkheden) | |
| | | | Standard | | |
| Advanced | | | | | |
| Tour | | | | | |
| Start Address | | | 0-512 | Stelt het sACN startadres in | |
| | Universe | | | 0-255 | Stelt de sACN universe in |
| | | Personality | Basic | Stelt de DMX persoonlijkheid in (Zie Aansturingspersoonlijkheden) | |
| | | | Standard | | |
| Advanced | | | | | |
| Tour | | | | | |
| Start Address | | | 0-512 | Stelt het DMX startadres in | |
| | Universe | | | 0-255 | Stelt de Art-Net™ universe in |
| | | Personality | Basic | Stelt de Art-Net™ persoonlijkheid in (Zie Aansturingspersoonlijkheden) | |
| | | | Standard | | |
| Advanced | | | | | |
| Tour | | | | | |
| Start Address | | | 0-512 | Stelt het Art-Net™ startadres in | |
| | Universe | | | 0-255 | Stelt de Art-Net™ universe in |
| | | Personality | Basic | Stelt de sACN persoonlijkheid in (Zie Aansturingspersoonlijkheden) | |
| | | | Standard | | |
| Advanced | | | | | |
| Tour | | | | | |
| Start Address | | | 0-512 | Stelt het sACN startadres in | |
| | Universe | | | 0-255 | Stelt de sACN universe in |
| | | Personality | Basic | Stelt de Kling-Net persoonlijkheid in (Zie Aansturingspersoonlijkheden) | |
| | | | Standard | | |
| Advanced | | | | | |
| Tour | | | | | |
| Start Address | | | 0-512 | Stelt het Kling-Net startadres in | |
| | Universe | | | 0-255 | Stelt de Kling-Net universe in |

| Hoofdniveau | Programmeerniveaus | | | Beschrijving | |
|----------------------|-------------------------|---|------------------------|--|---|
| Run Mode | Auto Test | | | Test alle functies automatisch | |
| | Manual Test | Tilt P/T Speed Red Green Blue White CTC Color Pattern LED Macro LED Ma. Speed LED Ma. Fade Background Background Dim. Dimmer Shutter Function Zoom1 Zoom2 | 000–255 | Test en regel alle instellingen handmatig via het bedieningspaneel | |
| Setup | Network Settings | IP Mode | | Manual | Stel het IP-adres handmatig in |
| | | | | DHCP | Netwerk stelt het IP-adres in |
| | | | | Static | Product stelt het IP-adres in |
| | | IP | IP Byte 1–4 | 000–255 | Stelt het IP-adres in handmatige modus in |
| | SMK | SubMask 1–4 | 000–255 | Stelt het Subnet Mask in handmatige modus in | |
| | Tilt Reverse | | | NO | Normale kantelbediening |
| | | | | YES | Omgekeerde kantelbediening |
| | Zoom Reverse | | | NO | Normale zoom |
| | | | | YES | Omgekeerde zoom |
| | Screen Reverse | | | NO | Display in normale oriëntatie |
| | | | | YES | Display in ondersteboven oriëntatie |
| | | | | AUTO | Automatische oriëntatie van het display |
| | Tilt Angle | | | 200 | 200° kantelhoekbereik |
| | | | | 180 | 180° kantelhoekbereik |
| | | | | 60 | 60° kantelhoekbereik |
| | BL. O. P/T Move | | | NO | Niet verduisteren tijdens zwenken |
| | | | | YES | Verduisteren tijdens zwenken |
| | Backlight Timer | | | 30S | Beeldscherm schakelt uit na 30 seconden |
| | | | | 1M | Beeldscherm schakelt uit na 1 minuut |
| | | | | 5M | Beeldscherm schakelt uit na 5 minuten |
| | | ON | Beeldscherm blijft aan | | |
| Loss of Data | | | Hold | Houdt laatst ontvangen signaal vast | |
| | | | Close | Verduistert de armatuur | |
| Fans | | | Auto | Ventilatorsnelheid in overeenstemming met de producttemperatuur | |
| | | | Full | Ventilatorsnelheid op hoog ingesteld | |
| | | | ECO | Stille modus | |
| Defrost Fan | | | OFF | Activeer de ontdooiventilator | |
| | | | ON | Schakel de ontdooiventilator uit | |
| C Mixing Mode | | | RGBW | Additief kleurenmengen (0–100%) | |
| | | | CMY | Subtractief kleurenmengen (100%–0) | |

| Hoofdniveau | Programmeerniveaus | | Beschrijving | |
|------------------|--------------------|--|---|---|
| Setup | Dimmer Curve | Linear Square I Squa SCurve | Stelt de dimcurve in | |
| | Dimmer Speed | Smooth Fast | Wijzigt de dimsnelheid | |
| | PWM Option | 600Hz 1200Hz 2000Hz 4000Hz 6000Hz 15000Hz | Selecteert de PWM-uitgangsfrequentie | |
| | Cell Order | 1-16 | Licht wordt van links naar rechts geactiveerd | |
| | | 16-1 | Licht wordt van rechts naar links geactiveerd | |
| | Calibrated White | ON | Standaard lichtopbrengsttemperatuur ingesteld naar 7500K | |
| | | OFF | Deactiveert gekalibreerd wit-instelling | |
| | | Custom | Pas de temperatuur van de lichtuitvoer aan met behulp van de witbalansinstelling | |
| | White Balance | Red | 000-255 | Stelt maximum waarde van rode LED in |
| | | Green | | Stelt maximum waarde van groene LED in |
| | | Blue | | Stelt maximum waarde van blauwe LED in |
| | | White | | Stelt maximum waarde van witte LED in |
| | Preset Select | PRESET A PRESET B PRESET C | Opgenomen vooringestelde menuopties | |
| | Preset Sync | NO | Zorgt ervoor dat opgenomen vooringestelde menuopties worden overgezet op andere COLORado PXL Bar 16 in de DMX-keten | |
| | | YES | | |
| USB Update | NO | Enables/disables updating by USB | | |
| | YES | | | |
| Reset Function | Tilt | NO | Reset individuele functies of alle functies vanaf het opstarten | |
| | | YES | | |
| | Zoom | NO | | |
| | | YES | | |
| All | NO | | | |
| | YES | | | |
| Factory Settings | NO | Reset naar standaard fabrieksinstellingen | | |
| | YES | | | |
| Information | Firmware Version | | V_ | Toont de firmwareversie |
| | Running Mode | | --- | Toont de huidige bedrijfsmodus |
| | Address | | --- | Toont het huidige startadres |
| | Temperature | | --- | Toont de huidige temperatuur van het product in °C |
| | Fixture Time | | ----- | Toont het aantal uren dat het product is ingeschakeld |
| | LED Hours | | ----- | Toont het totaal aantal uren dat de LED is ingeschakeld |
| | ArtNet Info | Ip | ----- | Toont het huidige IP-adres |
| | | SubMask | ----- | Toont het huidige Subnet Mask |
| | | MAC | ----- | Toont het huidige MAC-adres |
| | Device UID | | ----- | Toont product-UID |
| | Fan Information | Head Fan 1-10 | ---- | Toont de snelheid van kopventilator 1 tot kopventilator 10 in tpm |
| | | Defrost Fan 1-2 | ---- | Toont de snelheid van de ontdooiventilator in rpm |
| | | Base Fan 1-2 | ---- | Toont de snelheid van de basisventilator in tpm |

DMX-waarden
Single Control: Tour-modus (186CH)

| Kanaal | Functie | Waarde | Percentage/Instelling |
|--------|--|-------------------------------|--|
| 1 | Kantelen | 000 ⇔ 255 | 0–100% |
| 2 | Fijnekantelen | 000 ⇔ 255 | 0–100% |
| 3 | Kantelensnelheid | 000 ⇔ 255 | 0–100% |
| 4 | CTC | 000 001 ⇔ 255 | Geen functie Kleurtemperatuur, 1900–2700 K |
| 5 | Kleur | 000 ⇔ 255 | zie Kleurenkaart |
| 6 | Patronen (zie Patronen) | 000 001 ⇔ 255 | Geen functie Patroon 1–255 |
| 7 | LED macro | 000 ⇔ 255 | Zie Kleurenkaart |
| 8 | LED macro snelheid | 000 ⇔ 127 128 129 ⇔ 255 | Kleurwijziging met de klok mee, snel tot langzaam Bevriezen Kleurwijziging tegen de klok in, langzaam tot snel |
| 9 | LED ingebouwde vertraging | 000 ⇔ 255 | Snel tot langzaam |
| 10 | Achtergrondkleur | 000 ⇔ 255 | zie Kleurenkaart |
| 11 | Achtergronddimmer | 000 ⇔ 255 | 0–100% |
| 12 | Fijneachtergronddimmer | 000 ⇔ 255 | 0–100% |
| 13 | Dimmer | 000 ⇔ 255 | 0–100% |
| 14 | Fijnedimmer | 000 ⇔ 255 | 0–100% |
| 15 | Stroboscoop | 000 ⇔ 255 | zie Stroboscoop instellingen |
| 16 | Zoom 1 (zie Zoomzones) | 000 ⇔ 255 | Breed tot nauw (Zone 1) |
| 17 | Zoom 2 (zie Zoomzones) | 000 ⇔ 255 | Breed tot nauw (Zone 2) |
| 18 | Regeling | 000 ⇔ 255 | zie Bedieningsinstellingen |
| 19 | Hoofdroid | 000 ⇔ 255 | RGBW-modus: 0–100% / CMY-modus: 100–0% |
| 20 | Fijnehoofdroid | 000 ⇔ 255 | RGBW-modus: 0–100% / CMY-modus: 100–0% |
| 21 | Hoofdgroen | 000 ⇔ 255 | RGBW-modus: 0–100% / CMY-modus: 100–0% |
| 22 | Fijnehoofdroid | 000 ⇔ 255 | RGBW-modus: 0–100% / CMY-modus: 100–0% |
| 23 | Hoofdblauw | 000 ⇔ 255 | RGBW-modus: 0–100% / CMY-modus: 100–0% |
| 24 | Fijnehoofdblauw | 000 ⇔ 255 | RGBW-modus: 0–100% / CMY-modus: 100–0% |
| 25 | Hoofdwit | 000 ⇔ 255 | RGBW-modus: 0–100% / CMY-modus: 100–0% |
| 26 | Fijnehoofdwit | 000 ⇔ 255 | RGBW-modus: 0–100% / CMY-modus: 100–0% |
| 27 | Dimmer 1 | 000 ⇔ 255 | 0–100% |
| 28 | Fijnedimmer 1 | 000 ⇔ 255 | 0–100% |
| 29 | Rood 1 Cyaan 1 | 000 ⇔ 255 | RGBW-modus: 0–100% / CMY-modus: 100–0% |
| 30 | Fijnerood 1 Fijne cyaan 1 | 000 ⇔ 255 | RGBW-modus: 0–100% / CMY-modus: 100–0% |
| 31 | Groen 1 Magenta 1 | 000 ⇔ 255 | RGBW-modus: 0–100% / CMY-modus: 100–0% |
| 32 | Fijnegroen 1 Fijne magenta 1 | 000 ⇔ 255 | RGBW-modus: 0–100% / CMY-modus: 100–0% |
| 33 | Blauw 1 Geel 1 | 000 ⇔ 255 | RGBW-modus: 0–100% / CMY-modus: 100–0% |
| 34 | Fijneblauw 1 Fijne geel 1 | 000 ⇔ 255 | RGBW-modus: 0–100% / CMY-modus: 100–0% |
| 35 | Wit 1 | 000 ⇔ 255 | RGBW-modus: 0–100% / CMY-modus: 100–0% |
| 36 | Fijnwit 1 | 000 ⇔ 255 | RGBW-modus: 0–100% / CMY-modus: 100–0% |
| 37 | Dimmer 2 | 000 ⇔ 255 | 0–100% |
| 38 | Fijnedimmer 2 | 000 ⇔ 255 | 0–100% |
| 39 | Rood 2 Cyaan 2 | 000 ⇔ 255 | RGBW-modus: 0–100% / CMY-modus: 100–0% |
| 40 | Fijnerood 2 Fijne cyaan 2 | 000 ⇔ 255 | RGBW-modus: 0–100% / CMY-modus: 100–0% |
| 41 | Groen 2 Magenta 2 | 000 ⇔ 255 | RGBW-modus: 0–100% / CMY-modus: 100–0% |
| 42 | Fijnegroen 2 Fijne magenta 2 | 000 ⇔ 255 | RGBW-modus: 0–100% / CMY-modus: 100–0% |
| 43 | Blauw 2 Geel 2 | 000 ⇔ 255 | RGBW-modus: 0–100% / CMY-modus: 100–0% |
| 44 | Fijneblauw 2 Fijne geel 2 | 000 ⇔ 255 | RGBW-modus: 0–100% / CMY-modus: 100–0% |
| 45 | Wit 2 | 000 ⇔ 255 | RGBW-modus: 0–100% / CMY-modus: 100–0% |

| Kanaal | Functie | Waarde | Percentage/Instelling |
|--------|-----------------------------------|-----------|--|
| 46 | Fijnewit 2 | 000 ⇔ 255 | RGBW-modus: 0–100% / CMY-modus: 100–0% |
| 47 | Dimmer 3 | 000 ⇔ 255 | 0–100% |
| 48 | Fijnedimmer 3 | 000 ⇔ 255 | 0–100% |
| 49 | Rood 3 Cyaan 3 | 000 ⇔ 255 | RGBW-modus: 0–100% / CMY-modus: 100–0% |
| 50 | Fijnerood 3 Fijne cyaan 3 | 000 ⇔ 255 | RGBW-modus: 0–100% / CMY-modus: 100–0% |
| 51 | Groen 3 Magenta 3 | 000 ⇔ 255 | RGBW-modus: 0–100% / CMY-modus: 100–0% |
| 52 | Fijnegroen 3 Fijne magenta 3 | 000 ⇔ 255 | RGBW-modus: 0–100% / CMY-modus: 100–0% |
| 53 | Blauw 3 Geel 3 | 000 ⇔ 255 | RGBW-modus: 0–100% / CMY-modus: 100–0% |
| 54 | Fijneblauw 3 Fijne geel 3 | 000 ⇔ 255 | RGBW-modus: 0–100% / CMY-modus: 100–0% |
| 55 | Wit 3 | 000 ⇔ 255 | RGBW-modus: 0–100% / CMY-modus: 100–0% |
| 56 | Fijnewit 3 | 000 ⇔ 255 | RGBW-modus: 0–100% / CMY-modus: 100–0% |
| 57 | Dimmer 4 | 000 ⇔ 255 | 0–100% |
| 58 | Fijnedimmer 4 | 000 ⇔ 255 | 0–100% |
| 59 | Rood 4 Cyaan 4 | 000 ⇔ 255 | RGBW-modus: 0–100% / CMY-modus: 100–0% |
| 60 | Fijnerood 4 Fijne cyaan 4 | 000 ⇔ 255 | RGBW-modus: 0–100% / CMY-modus: 100–0% |
| 61 | Groen 4 Magenta 4 | 000 ⇔ 255 | RGBW-modus: 0–100% / CMY-modus: 100–0% |
| 62 | Fijnegroen 4 Fijne magenta 4 | 000 ⇔ 255 | RGBW-modus: 0–100% / CMY-modus: 100–0% |
| 63 | Blauw 4 Geel 4 | 000 ⇔ 255 | RGBW-modus: 0–100% / CMY-modus: 100–0% |
| 64 | Fijneblauw 4 Fijne geel 4 | 000 ⇔ 255 | RGBW-modus: 0–100% / CMY-modus: 100–0% |
| 65 | Wit 4 | 000 ⇔ 255 | RGBW-modus: 0–100% / CMY-modus: 100–0% |
| 66 | Fijnewit 4 | 000 ⇔ 255 | RGBW-modus: 0–100% / CMY-modus: 100–0% |
| 67 | Dimmer 5 | 000 ⇔ 255 | 0–100% |
| 68 | Fijnedimmer 5 | 000 ⇔ 255 | 0–100% |
| 69 | Rood 5 Cyaan 5 | 000 ⇔ 255 | RGBW-modus: 0–100% / CMY-modus: 100–0% |
| 70 | Fijnerood 5 Fijne cyaan 5 | 000 ⇔ 255 | RGBW-modus: 0–100% / CMY-modus: 100–0% |
| 71 | Groen 5 Magenta 5 | 000 ⇔ 255 | RGBW-modus: 0–100% / CMY-modus: 100–0% |
| 72 | Fijnegroen 5 Fijne magenta 5 | 000 ⇔ 255 | RGBW-modus: 0–100% / CMY-modus: 100–0% |
| 73 | Blauw 5 Geel 5 | 000 ⇔ 255 | RGBW-modus: 0–100% / CMY-modus: 100–0% |
| 74 | Fijneblauw 5 Fijne geel 5 | 000 ⇔ 255 | RGBW-modus: 0–100% / CMY-modus: 100–0% |
| 75 | Wit 5 | 000 ⇔ 255 | RGBW-modus: 0–100% / CMY-modus: 100–0% |
| 76 | Fijnewit 5 | 000 ⇔ 255 | RGBW-modus: 0–100% / CMY-modus: 100–0% |
| 77 | Dimmer 6 | 000 ⇔ 255 | 0–100% |
| 78 | Fijnedimmer 6 | 000 ⇔ 255 | 0–100% |
| 79 | Rood 6 Cyaan 6 | 000 ⇔ 255 | RGBW-modus: 0–100% / CMY-modus: 100–0% |
| 80 | Fijnerood 6 Fijne cyaan 6 | 000 ⇔ 255 | RGBW-modus: 0–100% / CMY-modus: 100–0% |
| 81 | Groen 6 Magenta 6 | 000 ⇔ 255 | RGBW-modus: 0–100% / CMY-modus: 100–0% |
| 82 | Fijnegroen 6 Fijne magenta 6 | 000 ⇔ 255 | RGBW-modus: 0–100% / CMY-modus: 100–0% |
| 83 | Blauw 6 Geel 6 | 000 ⇔ 255 | RGBW-modus: 0–100% / CMY-modus: 100–0% |
| 84 | Fijneblauw 6 Fijne geel 6 | 000 ⇔ 255 | RGBW-modus: 0–100% / CMY-modus: 100–0% |
| 85 | Wit 6 | 000 ⇔ 255 | RGBW-modus: 0–100% / CMY-modus: 100–0% |
| 86 | Fijnewit 6 | 000 ⇔ 255 | RGBW-modus: 0–100% / CMY-modus: 100–0% |
| 87 | Dimmer 7 | 000 ⇔ 255 | 0–100% |
| 88 | Fijnedimmer 7 | 000 ⇔ 255 | 0–100% |
| 89 | Rood 7 Cyaan 7 | 000 ⇔ 255 | RGBW-modus: 0–100% / CMY-modus: 100–0% |
| 90 | Fijnerood 7 Fijne cyaan 7 | 000 ⇔ 255 | RGBW-modus: 0–100% / CMY-modus: 100–0% |
| 91 | Groen 7 Magenta 7 | 000 ⇔ 255 | RGBW-modus: 0–100% / CMY-modus: 100–0% |
| 92 | Fijnegroen 7 Fijne magenta 7 | 000 ⇔ 255 | RGBW-modus: 0–100% / CMY-modus: 100–0% |
| 93 | Blauw 7 Geel 7 | 000 ⇔ 255 | RGBW-modus: 0–100% / CMY-modus: 100–0% |
| 94 | Fijneblauw 7 Fijne geel 7 | 000 ⇔ 255 | RGBW-modus: 0–100% / CMY-modus: 100–0% |
| 95 | Wit 7 | 000 ⇔ 255 | RGBW-modus: 0–100% / CMY-modus: 100–0% |
| 96 | Fijnewit 7 | 000 ⇔ 255 | RGBW-modus: 0–100% / CMY-modus: 100–0% |

| Kanaal | Functie | Waarde | Percentage/Instelling |
|--------|---------------------------------------|-----------|--|
| 97 | Dimmer 8 | 000 ⇔ 255 | 0–100% |
| 98 | Fijnedimmer 8 | 000 ⇔ 255 | 0–100% |
| 99 | Rood 8 Cyaan 8 | 000 ⇔ 255 | RGBW-modus: 0–100% / CMY-modus: 100–0% |
| 100 | Fijnerood 8 Fijne cyaan 8 | 000 ⇔ 255 | RGBW-modus: 0–100% / CMY-modus: 100–0% |
| 101 | Groen 8 Magenta 8 | 000 ⇔ 255 | RGBW-modus: 0–100% / CMY-modus: 100–0% |
| 102 | Fijnegroen 8 Fijne magenta 8 | 000 ⇔ 255 | RGBW-modus: 0–100% / CMY-modus: 100–0% |
| 103 | Blauw 8 Geel 8 | 000 ⇔ 255 | RGBW-modus: 0–100% / CMY-modus: 100–0% |
| 104 | Fijneblauw 8 Fijne geel 8 | 000 ⇔ 255 | RGBW-modus: 0–100% / CMY-modus: 100–0% |
| 105 | Wit 8 | 000 ⇔ 255 | RGBW-modus: 0–100% / CMY-modus: 100–0% |
| 106 | Fijnewit 8 | 000 ⇔ 255 | RGBW-modus: 0–100% / CMY-modus: 100–0% |
| 107 | Dimmer 9 | 000 ⇔ 255 | 0–100% |
| 108 | Fijnedimmer 9 | 000 ⇔ 255 | 0–100% |
| 109 | Rood 9 Cyaan 9 | 000 ⇔ 255 | RGBW-modus: 0–100% / CMY-modus: 100–0% |
| 110 | Fijnerood 9 Fijne cyaan 9 | 000 ⇔ 255 | RGBW-modus: 0–100% / CMY-modus: 100–0% |
| 111 | Groen 9 Magenta 9 | 000 ⇔ 255 | RGBW-modus: 0–100% / CMY-modus: 100–0% |
| 112 | Fijnegroen 9 Fijne magenta 9 | 000 ⇔ 255 | RGBW-modus: 0–100% / CMY-modus: 100–0% |
| 113 | Blauw 9 Geel 9 | 000 ⇔ 255 | RGBW-modus: 0–100% / CMY-modus: 100–0% |
| 114 | Fijneblauw 9 Fijne geel 9 | 000 ⇔ 255 | RGBW-modus: 0–100% / CMY-modus: 100–0% |
| 115 | Wit 9 | 000 ⇔ 255 | RGBW-modus: 0–100% / CMY-modus: 100–0% |
| 116 | Fijnewit 9 | 000 ⇔ 255 | RGBW-modus: 0–100% / CMY-modus: 100–0% |
| 117 | Dimmer 10 | 000 ⇔ 255 | 0–100% |
| 118 | Fijnedimmer 10 | 000 ⇔ 255 | 0–100% |
| 119 | Rood 10 Cyaan 10 | 000 ⇔ 255 | RGBW-modus: 0–100% / CMY-modus: 100–0% |
| 120 | Fijnerood 10 Fijne cyaan 10 | 000 ⇔ 255 | RGBW-modus: 0–100% / CMY-modus: 100–0% |
| 121 | Groen 10 Magenta 10 | 000 ⇔ 255 | RGBW-modus: 0–100% / CMY-modus: 100–0% |
| 122 | Fijnegroen 10 Fijne magenta 10 | 000 ⇔ 255 | RGBW-modus: 0–100% / CMY-modus: 100–0% |
| 123 | Blauw 10 Geel 10 | 000 ⇔ 255 | RGBW-modus: 0–100% / CMY-modus: 100–0% |
| 124 | Fijneblauw 10 Fijne geel 10 | 000 ⇔ 255 | RGBW-modus: 0–100% / CMY-modus: 100–0% |
| 125 | Wit 10 | 000 ⇔ 255 | RGBW-modus: 0–100% / CMY-modus: 100–0% |
| 126 | Fijnewit 10 | 000 ⇔ 255 | RGBW-modus: 0–100% / CMY-modus: 100–0% |
| 127 | Dimmer 11 | 000 ⇔ 255 | 0–100% |
| 128 | Fijnedimmer 11 | 000 ⇔ 255 | 0–100% |
| 129 | Rood 11 Cyaan 11 | 000 ⇔ 255 | RGBW-modus: 0–100% / CMY-modus: 100–0% |
| 130 | Fijnerood 11 Fijne cyaan 11 | 000 ⇔ 255 | RGBW-modus: 0–100% / CMY-modus: 100–0% |
| 131 | Groen 11 Magenta 11 | 000 ⇔ 255 | RGBW-modus: 0–100% / CMY-modus: 100–0% |
| 132 | Fijnegroen 11 Fijne magenta 11 | 000 ⇔ 255 | RGBW-modus: 0–100% / CMY-modus: 100–0% |
| 133 | Blauw 11 Geel 11 | 000 ⇔ 255 | RGBW-modus: 0–100% / CMY-modus: 100–0% |
| 134 | Fijneblauw 11 Fijne geel 11 | 000 ⇔ 255 | RGBW-modus: 0–100% / CMY-modus: 100–0% |
| 135 | Wit 11 | 000 ⇔ 255 | RGBW-modus: 0–100% / CMY-modus: 100–0% |
| 136 | Fijnewit 11 | 000 ⇔ 255 | RGBW-modus: 0–100% / CMY-modus: 100–0% |
| 137 | Dimmer 12 | 000 ⇔ 255 | 0–100% |
| 138 | Fijnedimmer 12 | 000 ⇔ 255 | 0–100% |
| 139 | Rood 12 Cyaan 12 | 000 ⇔ 255 | RGBW-modus: 0–100% / CMY-modus: 100–0% |
| 140 | Fijnerood 12 Fijne cyaan 12 | 000 ⇔ 255 | RGBW-modus: 0–100% / CMY-modus: 100–0% |
| 141 | Groen 12 Magenta 12 | 000 ⇔ 255 | RGBW-modus: 0–100% / CMY-modus: 100–0% |
| 142 | Fijnegroen 12 Fijne magenta 12 | 000 ⇔ 255 | RGBW-modus: 0–100% / CMY-modus: 100–0% |
| 143 | Blauw 12 Geel 12 | 000 ⇔ 255 | RGBW-modus: 0–100% / CMY-modus: 100–0% |
| 144 | Fijneblauw 12 Fijne geel 12 | 000 ⇔ 255 | RGBW-modus: 0–100% / CMY-modus: 100–0% |
| 145 | Wit 12 | 000 ⇔ 255 | RGBW-modus: 0–100% / CMY-modus: 100–0% |
| 146 | Fijnewit 12 | 000 ⇔ 255 | RGBW-modus: 0–100% / CMY-modus: 100–0% |

| Kanaal | Functie | Waarde | Percentage/Instelling |
|--------|-------------------------------------|-----------|--|
| 147 | Dimmer 13 | 000 ⇔ 255 | 0–100% |
| 148 | Fijnedimmer 13 | 000 ⇔ 255 | 0–100% |
| 149 | Rood 13 Cyaan 13 | 000 ⇔ 255 | RGBW-modus: 0–100% / CMY-modus: 100–0% |
| 150 | Fijnerood 13 Fijne cyaan 13 | 000 ⇔ 255 | RGBW-modus: 0–100% / CMY-modus: 100–0% |
| 151 | Groen 13 Magenta 13 | 000 ⇔ 255 | RGBW-modus: 0–100% / CMY-modus: 100–0% |
| 152 | Fijnegroen 13 Fijne magenta 13 | 000 ⇔ 255 | RGBW-modus: 0–100% / CMY-modus: 100–0% |
| 153 | Blauw 13 Geel 13 | 000 ⇔ 255 | RGBW-modus: 0–100% / CMY-modus: 100–0% |
| 154 | Fijneblauw 13 Fijne geel 13 | 000 ⇔ 255 | RGBW-modus: 0–100% / CMY-modus: 100–0% |
| 155 | Wit 13 | 000 ⇔ 255 | RGBW-modus: 0–100% / CMY-modus: 100–0% |
| 156 | Fijnewit 13 | 000 ⇔ 255 | RGBW-modus: 0–100% / CMY-modus: 100–0% |
| 157 | Dimmer 14 | 000 ⇔ 255 | 0–100% |
| 158 | Fijnedimmer 14 | 000 ⇔ 255 | 0–100% |
| 159 | Rood 14 Cyaan 14 | 000 ⇔ 255 | RGBW-modus: 0–100% / CMY-modus: 100–0% |
| 160 | Fijnerood 14 Fijne cyaan 14 | 000 ⇔ 255 | RGBW-modus: 0–100% / CMY-modus: 100–0% |
| 161 | Groen 14 Magenta 14 | 000 ⇔ 255 | RGBW-modus: 0–100% / CMY-modus: 100–0% |
| 162 | Fijnegroen 14 Fijne magenta 14 | 000 ⇔ 255 | RGBW-modus: 0–100% / CMY-modus: 100–0% |
| 163 | Blauw 14 Geel 14 | 000 ⇔ 255 | RGBW-modus: 0–100% / CMY-modus: 100–0% |
| 164 | Fijneblauw 14 Fijne geel 14 | 000 ⇔ 255 | RGBW-modus: 0–100% / CMY-modus: 100–0% |
| 165 | Wit 14 | 000 ⇔ 255 | RGBW-modus: 0–100% / CMY-modus: 100–0% |
| 166 | Fijnewit 14 | 000 ⇔ 255 | RGBW-modus: 0–100% / CMY-modus: 100–0% |
| 167 | Dimmer 15 | 000 ⇔ 255 | 0–100% |
| 168 | Fijnedimmer 15 | 000 ⇔ 255 | 0–100% |
| 169 | Rood 15 Cyaan 15 | 000 ⇔ 255 | RGBW-modus: 0–100% / CMY-modus: 100–0% |
| 170 | Fijnerood 15 Fijne cyaan 15 | 000 ⇔ 255 | RGBW-modus: 0–100% / CMY-modus: 100–0% |
| 171 | Groen 15 Magenta 15 | 000 ⇔ 255 | RGBW-modus: 0–100% / CMY-modus: 100–0% |
| 172 | Fijnegroen 15 Fijne magenta 15 | 000 ⇔ 255 | RGBW-modus: 0–100% / CMY-modus: 100–0% |
| 173 | Blauw 15 Geel 15 | 000 ⇔ 255 | RGBW-modus: 0–100% / CMY-modus: 100–0% |
| 174 | Fijneblauw 15 Fijne geel 15 | 000 ⇔ 255 | RGBW-modus: 0–100% / CMY-modus: 100–0% |
| 175 | Wit 15 | 000 ⇔ 255 | RGBW-modus: 0–100% / CMY-modus: 100–0% |
| 176 | Fijnewit 15 | 000 ⇔ 255 | RGBW-modus: 0–100% / CMY-modus: 100–0% |
| 177 | Dimmer 16 | 000 ⇔ 255 | 0–100% |
| 178 | Fijnedimmer 16 | 000 ⇔ 255 | 0–100% |
| 179 | Rood 16 Cyaan 16 | 000 ⇔ 255 | RGBW-modus: 0–100% / CMY-modus: 100–0% |
| 180 | Fijnerood 16 Fijne cyaan 16 | 000 ⇔ 255 | RGBW-modus: 0–100% / CMY-modus: 100–0% |
| 181 | Groen 16 Magenta 16 | 000 ⇔ 255 | RGBW-modus: 0–100% / CMY-modus: 100–0% |
| 182 | Fijnegroen 16 Fijne magenta 16 | 000 ⇔ 255 | RGBW-modus: 0–100% / CMY-modus: 100–0% |
| 183 | Blauw 16 Geel 16 | 000 ⇔ 255 | RGBW-modus: 0–100% / CMY-modus: 100–0% |
| 184 | Fijneblauw 16 Fijne geel 16 | 000 ⇔ 255 | RGBW-modus: 0–100% / CMY-modus: 100–0% |
| 185 | Wit 16 | 000 ⇔ 255 | RGBW-modus: 0–100% / CMY-modus: 100–0% |
| 186 | Fijnewit 16 | 000 ⇔ 255 | RGBW-modus: 0–100% / CMY-modus: 100–0% |

Single Control: Advanced-modus (154CH)

| Kanaal | Functie | Waarde | Percentage/Instelling |
|--------|--|-------------------------------|--|
| 1 | Kantelen | 000 ⇔ 255 | 0–100% |
| 2 | Fijnekantelen | 000 ⇔ 255 | 0–100% |
| 3 | Kantelensnelheid | 000 ⇔ 255 | 0–100% |
| 4 | CTC | 000 001 ⇔ 255 | Geen functie Kleurtemperatuur, 1900–2700 K |
| 5 | Kleur | 000 ⇔ 255 | zie Kleurenkaart |
| 6 | Patronen (zie Patronen) | 000 001 ⇔ 255 | Geen functie Patroon 1–255 |
| 7 | LED macro | 000 ⇔ 255 | Zie Kleurenkaart |
| 8 | LED macro snelheid | 000 ⇔ 127 128 129 ⇔ 255 | Kleurwijziging met de klok mee, snel tot langzaam Bevriezen Kleurwijziging tegen de klok in, langzaam tot snel |
| 9 | LED ingebouwde vertraging | 000 ⇔ 255 | Snel tot langzaam |
| 10 | Achtergrondkleur | 000 ⇔ 255 | zie Kleurenkaart |
| 11 | Achtergronddimmer | 000 ⇔ 255 | 0–100% |
| 12 | Fijneachtergronddimmer | 000 ⇔ 255 | 0–100% |
| 13 | Dimmer | 000 ⇔ 255 | 0–100% |
| 14 | Fijnedimmer | 000 ⇔ 255 | 0–100% |
| 15 | Stroboscoop | 000 ⇔ 255 | zie Stroboscoop instellingen |
| 16 | Zoom 1 (zie Zoomzones) | 000 ⇔ 255 | Breed tot nauw (Zone 1) |
| 17 | Zoom 2 (zie Zoomzones) | 000 ⇔ 255 | Breed tot nauw (Zone 2) |
| 18 | Regeling | 000 ⇔ 255 | zie Bedieningsinstellingen |
| 19 | Hoofdroid | 000 ⇔ 255 | RGBW-modus: 0–100% / CMY-modus: 100–0% |
| 20 | Fijnehoofdroid | 000 ⇔ 255 | RGBW-modus: 0–100% / CMY-modus: 100–0% |
| 21 | Hoofdgroen | 000 ⇔ 255 | RGBW-modus: 0–100% / CMY-modus: 100–0% |
| 22 | Fijnehoofdroid | 000 ⇔ 255 | RGBW-modus: 0–100% / CMY-modus: 100–0% |
| 23 | Hoofdbleuw | 000 ⇔ 255 | RGBW-modus: 0–100% / CMY-modus: 100–0% |
| 24 | Fijnehoofdbleuw | 000 ⇔ 255 | RGBW-modus: 0–100% / CMY-modus: 100–0% |
| 25 | Hoofdruit | 000 ⇔ 255 | RGBW-modus: 0–100% / CMY-modus: 100–0% |
| 26 | Fijnehoofdruit | 000 ⇔ 255 | RGBW-modus: 0–100% / CMY-modus: 100–0% |
| 27 | Rood 1 | Cyaan 1 | 000 ⇔ 255 |
| 28 | Fijnerood 1 | Fijne cyaan 1 | 000 ⇔ 255 |
| 29 | Groen 1 | Magenta 1 | 000 ⇔ 255 |
| 30 | Fijnegroen 1 | Fijne magenta 1 | 000 ⇔ 255 |
| 31 | Bleuw 1 | Geel 1 | 000 ⇔ 255 |
| 32 | Fijnebleuw 1 | Fijne geel 1 | 000 ⇔ 255 |
| 33 | Wit 1 | | 000 ⇔ 255 |
| 34 | Fijnewit 1 | | 000 ⇔ 255 |
| 35 | Rood 2 | Cyaan 2 | 000 ⇔ 255 |
| 36 | Fijnerood 2 | Fijne cyaan 2 | 000 ⇔ 255 |
| 37 | Groen 2 | Magenta 2 | 000 ⇔ 255 |
| 38 | Fijnegroen 2 | Fijne magenta 2 | 000 ⇔ 255 |
| 39 | Bleuw 2 | Geel 2 | 000 ⇔ 255 |
| 40 | Fijnebleuw 2 | Fijne geel 2 | 000 ⇔ 255 |
| 41 | Wit 2 | | 000 ⇔ 255 |
| 42 | Fijnewit 2 | | 000 ⇔ 255 |
| 43 | Rood 3 | Cyaan 3 | 000 ⇔ 255 |
| 44 | Fijnerood 3 | Fijne cyaan 3 | 000 ⇔ 255 |
| 45 | Groen 3 | Magenta 3 | 000 ⇔ 255 |
| 46 | Fijnegroen 3 | Fijne magenta 3 | 000 ⇔ 255 |

| Kanaal | Functie | Waarde | Percentage/Instelling |
|---------------|--|---------------|--|
| 47 | Blauw 3 Geel 3 | 000 ⇔ 255 | RGBW-modus: 0–100% / CMY-modus: 100–0% |
| 48 | Fijneblauw 3 Fijne geel 3 | 000 ⇔ 255 | RGBW-modus: 0–100% / CMY-modus: 100–0% |
| 49 | Wit 3 | 000 ⇔ 255 | RGBW-modus: 0–100% / CMY-modus: 100–0% |
| 50 | Fijnewit 3 | 000 ⇔ 255 | RGBW-modus: 0–100% / CMY-modus: 100–0% |
| 51 | Rood 4 Cyaan 4 | 000 ⇔ 255 | RGBW-modus: 0–100% / CMY-modus: 100–0% |
| 52 | Fijnerood 4 Fijne cyaan 4 | 000 ⇔ 255 | RGBW-modus: 0–100% / CMY-modus: 100–0% |
| 53 | Groen 4 Magenta 4 | 000 ⇔ 255 | RGBW-modus: 0–100% / CMY-modus: 100–0% |
| 54 | Fijnegroen 4 Fijne magenta 4 | 000 ⇔ 255 | RGBW-modus: 0–100% / CMY-modus: 100–0% |
| 55 | Blauw 4 Geel 4 | 000 ⇔ 255 | RGBW-modus: 0–100% / CMY-modus: 100–0% |
| 56 | Fijneblauw 4 Fijne geel 4 | 000 ⇔ 255 | RGBW-modus: 0–100% / CMY-modus: 100–0% |
| 57 | Wit 4 | 000 ⇔ 255 | RGBW-modus: 0–100% / CMY-modus: 100–0% |
| 58 | Fijnewit 4 | 000 ⇔ 255 | RGBW-modus: 0–100% / CMY-modus: 100–0% |
| 59 | Rood 5 Cyaan 5 | 000 ⇔ 255 | RGBW-modus: 0–100% / CMY-modus: 100–0% |
| 60 | Fijnerood 5 Fijne cyaan 5 | 000 ⇔ 255 | RGBW-modus: 0–100% / CMY-modus: 100–0% |
| 61 | Groen 5 Magenta 5 | 000 ⇔ 255 | RGBW-modus: 0–100% / CMY-modus: 100–0% |
| 62 | Fijnegroen 5 Fijne magenta 5 | 000 ⇔ 255 | RGBW-modus: 0–100% / CMY-modus: 100–0% |
| 63 | Blauw 5 Geel 5 | 000 ⇔ 255 | RGBW-modus: 0–100% / CMY-modus: 100–0% |
| 64 | Fijneblauw 5 Fijne geel 5 | 000 ⇔ 255 | RGBW-modus: 0–100% / CMY-modus: 100–0% |
| 65 | Wit 5 | 000 ⇔ 255 | RGBW-modus: 0–100% / CMY-modus: 100–0% |
| 66 | Fijnewit 5 | 000 ⇔ 255 | RGBW-modus: 0–100% / CMY-modus: 100–0% |
| 67 | Rood 6 Cyaan 6 | 000 ⇔ 255 | RGBW-modus: 0–100% / CMY-modus: 100–0% |
| 68 | Fijnerood 6 Fijne cyaan 6 | 000 ⇔ 255 | RGBW-modus: 0–100% / CMY-modus: 100–0% |
| 69 | Groen 6 Magenta 6 | 000 ⇔ 255 | RGBW-modus: 0–100% / CMY-modus: 100–0% |
| 70 | Fijnegroen 6 Fijne magenta 6 | 000 ⇔ 255 | RGBW-modus: 0–100% / CMY-modus: 100–0% |
| 71 | Blauw 6 Geel 6 | 000 ⇔ 255 | RGBW-modus: 0–100% / CMY-modus: 100–0% |
| 72 | Fijneblauw 6 Fijne geel 6 | 000 ⇔ 255 | RGBW-modus: 0–100% / CMY-modus: 100–0% |
| 73 | Wit 6 | 000 ⇔ 255 | RGBW-modus: 0–100% / CMY-modus: 100–0% |
| 74 | Fijnewit 6 | 000 ⇔ 255 | RGBW-modus: 0–100% / CMY-modus: 100–0% |
| 75 | Rood 7 Cyaan 7 | 000 ⇔ 255 | RGBW-modus: 0–100% / CMY-modus: 100–0% |
| 76 | Fijnerood 7 Fijne cyaan 7 | 000 ⇔ 255 | RGBW-modus: 0–100% / CMY-modus: 100–0% |
| 77 | Groen 7 Magenta 7 | 000 ⇔ 255 | RGBW-modus: 0–100% / CMY-modus: 100–0% |
| 78 | Fijnegroen 7 Fijne magenta 7 | 000 ⇔ 255 | RGBW-modus: 0–100% / CMY-modus: 100–0% |
| 79 | Blauw 7 Geel 7 | 000 ⇔ 255 | RGBW-modus: 0–100% / CMY-modus: 100–0% |
| 80 | Fijneblauw 7 Fijne geel 7 | 000 ⇔ 255 | RGBW-modus: 0–100% / CMY-modus: 100–0% |
| 81 | Wit 7 | 000 ⇔ 255 | RGBW-modus: 0–100% / CMY-modus: 100–0% |
| 82 | Fijnewit 7 | 000 ⇔ 255 | RGBW-modus: 0–100% / CMY-modus: 100–0% |
| 83 | Rood 8 Cyaan 8 | 000 ⇔ 255 | RGBW-modus: 0–100% / CMY-modus: 100–0% |
| 84 | Fijnerood 8 Fijne cyaan 8 | 000 ⇔ 255 | RGBW-modus: 0–100% / CMY-modus: 100–0% |
| 85 | Groen 8 Magenta 8 | 000 ⇔ 255 | RGBW-modus: 0–100% / CMY-modus: 100–0% |
| 86 | Fijnegroen 8 Fijne magenta 8 | 000 ⇔ 255 | RGBW-modus: 0–100% / CMY-modus: 100–0% |
| 87 | Blauw 8 Geel 8 | 000 ⇔ 255 | RGBW-modus: 0–100% / CMY-modus: 100–0% |
| 88 | Fijneblauw 8 Fijne geel 8 | 000 ⇔ 255 | RGBW-modus: 0–100% / CMY-modus: 100–0% |
| 89 | Wit 8 | 000 ⇔ 255 | RGBW-modus: 0–100% / CMY-modus: 100–0% |
| 90 | Fijnewit 8 | 000 ⇔ 255 | RGBW-modus: 0–100% / CMY-modus: 100–0% |
| 91 | Rood 9 Cyaan 9 | 000 ⇔ 255 | RGBW-modus: 0–100% / CMY-modus: 100–0% |
| 92 | Fijnerood 9 Fijne cyaan 9 | 000 ⇔ 255 | RGBW-modus: 0–100% / CMY-modus: 100–0% |
| 93 | Groen 9 Magenta 9 | 000 ⇔ 255 | RGBW-modus: 0–100% / CMY-modus: 100–0% |
| 94 | Fijnegroen 9 Fijne magenta 9 | 000 ⇔ 255 | RGBW-modus: 0–100% / CMY-modus: 100–0% |
| 95 | Blauw 9 Geel 9 | 000 ⇔ 255 | RGBW-modus: 0–100% / CMY-modus: 100–0% |
| 96 | Fijneblauw 9 Fijne geel 9 | 000 ⇔ 255 | RGBW-modus: 0–100% / CMY-modus: 100–0% |
| 97 | Wit 9 | 000 ⇔ 255 | RGBW-modus: 0–100% / CMY-modus: 100–0% |

| Kanaal | Functie | Waarde | Percentage/Instelling |
|--------|---------------------------------------|-----------|--|
| 98 | Fijnewit 9 | 000 ⇄ 255 | RGBW-modus: 0–100% / CMY-modus: 100–0% |
| 99 | Rood 10 Cyaan 10 | 000 ⇄ 255 | RGBW-modus: 0–100% / CMY-modus: 100–0% |
| 100 | Fijnerood 10 Fijne cyaan 10 | 000 ⇄ 255 | RGBW-modus: 0–100% / CMY-modus: 100–0% |
| 101 | Groen 10 Magenta 10 | 000 ⇄ 255 | RGBW-modus: 0–100% / CMY-modus: 100–0% |
| 102 | Fijnegroen 10 Fijne magenta 10 | 000 ⇄ 255 | RGBW-modus: 0–100% / CMY-modus: 100–0% |
| 103 | Blauw 10 Geel 10 | 000 ⇄ 255 | RGBW-modus: 0–100% / CMY-modus: 100–0% |
| 104 | Fijneblauw 10 Fijne geel 10 | 000 ⇄ 255 | RGBW-modus: 0–100% / CMY-modus: 100–0% |
| 105 | Wit 10 | 000 ⇄ 255 | RGBW-modus: 0–100% / CMY-modus: 100–0% |
| 106 | Fijnewit 10 | 000 ⇄ 255 | RGBW-modus: 0–100% / CMY-modus: 100–0% |
| 107 | Rood 11 Cyaan 11 | 000 ⇄ 255 | RGBW-modus: 0–100% / CMY-modus: 100–0% |
| 108 | Fijnerood 11 Fijne cyaan 11 | 000 ⇄ 255 | RGBW-modus: 0–100% / CMY-modus: 100–0% |
| 109 | Groen 11 Magenta 11 | 000 ⇄ 255 | RGBW-modus: 0–100% / CMY-modus: 100–0% |
| 110 | Fijnegroen 11 Fijne magenta 11 | 000 ⇄ 255 | RGBW-modus: 0–100% / CMY-modus: 100–0% |
| 111 | Blauw 11 Geel 11 | 000 ⇄ 255 | RGBW-modus: 0–100% / CMY-modus: 100–0% |
| 112 | Fijneblauw 11 Fijne geel 11 | 000 ⇄ 255 | RGBW-modus: 0–100% / CMY-modus: 100–0% |
| 113 | Wit 11 | 000 ⇄ 255 | RGBW-modus: 0–100% / CMY-modus: 100–0% |
| 114 | Fijnewit 11 | 000 ⇄ 255 | RGBW-modus: 0–100% / CMY-modus: 100–0% |
| 115 | Rood 12 Cyaan 12 | 000 ⇄ 255 | RGBW-modus: 0–100% / CMY-modus: 100–0% |
| 116 | Fijnerood 12 Fijne cyaan 12 | 000 ⇄ 255 | RGBW-modus: 0–100% / CMY-modus: 100–0% |
| 117 | Groen 12 Magenta 12 | 000 ⇄ 255 | RGBW-modus: 0–100% / CMY-modus: 100–0% |
| 118 | Fijnegroen 12 Fijne magenta 12 | 000 ⇄ 255 | RGBW-modus: 0–100% / CMY-modus: 100–0% |
| 119 | Blauw 12 Geel 12 | 000 ⇄ 255 | RGBW-modus: 0–100% / CMY-modus: 100–0% |
| 120 | Fijneblauw 12 Fijne geel 12 | 000 ⇄ 255 | RGBW-modus: 0–100% / CMY-modus: 100–0% |
| 121 | Wit 12 | 000 ⇄ 255 | RGBW-modus: 0–100% / CMY-modus: 100–0% |
| 122 | Fijnewit 12 | 000 ⇄ 255 | RGBW-modus: 0–100% / CMY-modus: 100–0% |
| 123 | Rood 13 Cyaan 13 | 000 ⇄ 255 | RGBW-modus: 0–100% / CMY-modus: 100–0% |
| 124 | Fijnerood 13 Fijne cyaan 13 | 000 ⇄ 255 | RGBW-modus: 0–100% / CMY-modus: 100–0% |
| 125 | Groen 13 Magenta 13 | 000 ⇄ 255 | RGBW-modus: 0–100% / CMY-modus: 100–0% |
| 126 | Fijnegroen 13 Fijne magenta 13 | 000 ⇄ 255 | RGBW-modus: 0–100% / CMY-modus: 100–0% |
| 127 | Blauw 13 Geel 13 | 000 ⇄ 255 | RGBW-modus: 0–100% / CMY-modus: 100–0% |
| 128 | Fijneblauw 13 Fijne geel 13 | 000 ⇄ 255 | RGBW-modus: 0–100% / CMY-modus: 100–0% |
| 129 | Wit 13 | 000 ⇄ 255 | RGBW-modus: 0–100% / CMY-modus: 100–0% |
| 130 | Fijnewit 13 | 000 ⇄ 255 | RGBW-modus: 0–100% / CMY-modus: 100–0% |
| 131 | Rood 14 Cyaan 14 | 000 ⇄ 255 | RGBW-modus: 0–100% / CMY-modus: 100–0% |
| 132 | Fijnerood 14 Fijne cyaan 14 | 000 ⇄ 255 | RGBW-modus: 0–100% / CMY-modus: 100–0% |
| 133 | Groen 14 Magenta 14 | 000 ⇄ 255 | RGBW-modus: 0–100% / CMY-modus: 100–0% |
| 134 | Fijnegroen 14 Fijne magenta 14 | 000 ⇄ 255 | RGBW-modus: 0–100% / CMY-modus: 100–0% |
| 135 | Blauw 14 Geel 14 | 000 ⇄ 255 | RGBW-modus: 0–100% / CMY-modus: 100–0% |
| 136 | Fijneblauw 14 Fijne geel 14 | 000 ⇄ 255 | RGBW-modus: 0–100% / CMY-modus: 100–0% |
| 137 | Wit 14 | 000 ⇄ 255 | RGBW-modus: 0–100% / CMY-modus: 100–0% |
| 138 | Fijnewit 14 | 000 ⇄ 255 | RGBW-modus: 0–100% / CMY-modus: 100–0% |
| 139 | Rood 15 Cyaan 15 | 000 ⇄ 255 | RGBW-modus: 0–100% / CMY-modus: 100–0% |
| 140 | Fijnerood 15 Fijne cyaan 15 | 000 ⇄ 255 | RGBW-modus: 0–100% / CMY-modus: 100–0% |
| 141 | Groen 15 Magenta 15 | 000 ⇄ 255 | RGBW-modus: 0–100% / CMY-modus: 100–0% |
| 142 | Fijnegroen 15 Fijne magenta 15 | 000 ⇄ 255 | RGBW-modus: 0–100% / CMY-modus: 100–0% |
| 143 | Blauw 15 Geel 15 | 000 ⇄ 255 | RGBW-modus: 0–100% / CMY-modus: 100–0% |
| 144 | Fijneblauw 15 Fijne geel 15 | 000 ⇄ 255 | RGBW-modus: 0–100% / CMY-modus: 100–0% |
| 145 | Wit 15 | 000 ⇄ 255 | RGBW-modus: 0–100% / CMY-modus: 100–0% |
| 146 | Fijnewit 15 | 000 ⇄ 255 | RGBW-modus: 0–100% / CMY-modus: 100–0% |
| 147 | Rood 16 Cyaan 16 | 000 ⇄ 255 | RGBW-modus: 0–100% / CMY-modus: 100–0% |
| 148 | Fijnerood 16 Fijne cyaan 16 | 000 ⇄ 255 | RGBW-modus: 0–100% / CMY-modus: 100–0% |

| Kanaal | Functie | Waarde | Percentage/Instelling |
|--------|--|-----------|--|
| 149 | Groen 16 Magenta 16 | 000 ⇔ 255 | RGBW-modus: 0–100% / CMY-modus: 100–0% |
| 150 | Fijnegroen 16 Fijne magenta 16 | 000 ⇔ 255 | RGBW-modus: 0–100% / CMY-modus: 100–0% |
| 151 | Blauw 16 Geel 16 | 000 ⇔ 255 | RGBW-modus: 0–100% / CMY-modus: 100–0% |
| 152 | Fijneblauw 16 Fijne geel 16 | 000 ⇔ 255 | RGBW-modus: 0–100% / CMY-modus: 100–0% |
| 153 | Wit 16 | 000 ⇔ 255 | RGBW-modus: 0–100% / CMY-modus: 100–0% |
| 154 | Fijnewit 16 | 000 ⇔ 255 | RGBW-modus: 0–100% / CMY-modus: 100–0% |

Single Control: Standard-modus (84CH)

| Kanaal | Functie | Waarde | Percentage/Instelling |
|--------|--|------------------|--|
| 1 | Kantelen | 000 ⇔ 255 | 0–100% |
| 2 | Fijnekantelen | 000 ⇔ 255 | 0–100% |
| 3 | Kantelensnelheid | 000 ⇔ 255 | 0–100% |
| 4 | CTC | 000 001 ⇔ 255 | Geen functie Kleurtemperatuur, 1900–2700 K |
| 5 | Kleur | 000 ⇔ 255 | zie Kleurenkaart |
| 6 | Patronen (zie Patronen) | 000 001 ⇔ 255 | Geen functie Patroon 1–255 |
| 7 | LED macro | 000 ⇔ 255 | Zie Kleurenkaart |
| 8 | LED macro snelheid | 000 ⇔ 127 | Kleurwijziging met de klok mee, snel tot langzaam |
| | | 128 | Bevriezen |
| | | 129 ⇔ 255 | Kleurwijziging tegen de klok in, langzaam tot snel |
| 9 | LED ingebouwde vertraging | 000 ⇔ 255 | Snel tot langzaam |
| 10 | Achtergrondkleur | 000 ⇔ 255 | zie Kleurenkaart |
| 11 | Achtergronddimmer | 000 ⇔ 255 | 0–100% |
| 12 | Dimmer | 000 ⇔ 255 | 0–100% |
| 13 | Stroboscoop | 000 ⇔ 255 | zie Stroboscoop instellingen |
| 14 | Zoom 1 (zie Zoomzones) | 000 ⇔ 255 | Breed tot nauw (Zone 1) |
| 15 | Zoom 2 (zie Zoomzones) | 000 ⇔ 255 | Breed tot nauw (Zone 2) |
| 16 | Regeling | 000 ⇔ 255 | zie Bedieningsinstellingen |
| 17 | Hoofd rood | 000 ⇔ 255 | RGBW-modus: 0–100% / CMY-modus: 100–0% |
| 18 | Hoofd groen | 000 ⇔ 255 | RGBW-modus: 0–100% / CMY-modus: 100–0% |
| 19 | Hoofd blauw | 000 ⇔ 255 | RGBW-modus: 0–100% / CMY-modus: 100–0% |
| 20 | Hoofd wit | 000 ⇔ 255 | RGBW-modus: 0–100% / CMY-modus: 100–0% |
| 21 | Rood 1 Cyaan 1 | 000 ⇔ 255 | RGBW-modus: 0–100% / CMY-modus: 100–0% |
| 22 | Groen 1 Magenta 1 | 000 ⇔ 255 | RGBW-modus: 0–100% / CMY-modus: 100–0% |
| 23 | Blauw 1 Geel 1 | 000 ⇔ 255 | RGBW-modus: 0–100% / CMY-modus: 100–0% |
| 24 | Wit 1 | 000 ⇔ 255 | RGBW-modus: 0–100% / CMY-modus: 100–0% |
| 25 | Rood 2 Cyaan 2 | 000 ⇔ 255 | RGBW-modus: 0–100% / CMY-modus: 100–0% |
| 26 | Groen 2 Magenta 2 | 000 ⇔ 255 | RGBW-modus: 0–100% / CMY-modus: 100–0% |
| 27 | Blauw 2 Geel 2 | 000 ⇔ 255 | RGBW-modus: 0–100% / CMY-modus: 100–0% |
| 28 | Wit 2 | 000 ⇔ 255 | RGBW-modus: 0–100% / CMY-modus: 100–0% |
| 29 | Rood 3 Cyaan 3 | 000 ⇔ 255 | RGBW-modus: 0–100% / CMY-modus: 100–0% |
| 30 | Groen 3 Magenta 3 | 000 ⇔ 255 | RGBW-modus: 0–100% / CMY-modus: 100–0% |
| 31 | Blauw 3 Geel 3 | 000 ⇔ 255 | RGBW-modus: 0–100% / CMY-modus: 100–0% |
| 32 | Wit 3 | 000 ⇔ 255 | RGBW-modus: 0–100% / CMY-modus: 100–0% |
| 33 | Rood 4 Cyaan 4 | 000 ⇔ 255 | RGBW-modus: 0–100% / CMY-modus: 100–0% |
| 34 | Groen 4 Magenta 4 | 000 ⇔ 255 | RGBW-modus: 0–100% / CMY-modus: 100–0% |
| 35 | Blauw 4 Geel 4 | 000 ⇔ 255 | RGBW-modus: 0–100% / CMY-modus: 100–0% |
| 36 | Wit 4 | 000 ⇔ 255 | RGBW-modus: 0–100% / CMY-modus: 100–0% |

| Kanaal | Funcctie | Waarde | Percentage/Instelling |
|--------|----------------------------|-----------|--|
| 37 | Rood 5 Cyaan 5 | 000 ↔ 255 | RGBW-modus: 0-100% / CMY-modus: 100-0% |
| 38 | Groen 5 Magenta 5 | 000 ↔ 255 | RGBW-modus: 0-100% / CMY-modus: 100-0% |
| 39 | Blauw 5 Geel 5 | 000 ↔ 255 | RGBW-modus: 0-100% / CMY-modus: 100-0% |
| 40 | Wit 5 | 000 ↔ 255 | RGBW-modus: 0-100% / CMY-modus: 100-0% |
| 41 | Rood 6 Cyaan 6 | 000 ↔ 255 | RGBW-modus: 0-100% / CMY-modus: 100-0% |
| 42 | Groen 6 Magenta 6 | 000 ↔ 255 | RGBW-modus: 0-100% / CMY-modus: 100-0% |
| 43 | Blauw 6 Geel 6 | 000 ↔ 255 | RGBW-modus: 0-100% / CMY-modus: 100-0% |
| 44 | Wit 6 | 000 ↔ 255 | RGBW-modus: 0-100% / CMY-modus: 100-0% |
| 45 | Rood 7 Cyaan 7 | 000 ↔ 255 | RGBW-modus: 0-100% / CMY-modus: 100-0% |
| 46 | Groen 7 Magenta 7 | 000 ↔ 255 | RGBW-modus: 0-100% / CMY-modus: 100-0% |
| 47 | Blauw 7 Geel 7 | 000 ↔ 255 | RGBW-modus: 0-100% / CMY-modus: 100-0% |
| 48 | Wit 7 | 000 ↔ 255 | RGBW-modus: 0-100% / CMY-modus: 100-0% |
| 49 | Rood 8 Cyaan 8 | 000 ↔ 255 | RGBW-modus: 0-100% / CMY-modus: 100-0% |
| 50 | Groen 8 Magenta 8 | 000 ↔ 255 | RGBW-modus: 0-100% / CMY-modus: 100-0% |
| 51 | Blauw 8 Geel 8 | 000 ↔ 255 | RGBW-modus: 0-100% / CMY-modus: 100-0% |
| 52 | Wit 8 | 000 ↔ 255 | RGBW-modus: 0-100% / CMY-modus: 100-0% |
| 53 | Rood 9 Cyaan 9 | 000 ↔ 255 | RGBW-modus: 0-100% / CMY-modus: 100-0% |
| 54 | Groen 9 Magenta 9 | 000 ↔ 255 | RGBW-modus: 0-100% / CMY-modus: 100-0% |
| 55 | Blauw 9 Geel 9 | 000 ↔ 255 | RGBW-modus: 0-100% / CMY-modus: 100-0% |
| 56 | Wit 9 | 000 ↔ 255 | RGBW-modus: 0-100% / CMY-modus: 100-0% |
| 57 | Rood 10 Cyaan 10 | 000 ↔ 255 | RGBW-modus: 0-100% / CMY-modus: 100-0% |
| 58 | Groen 10 Magenta 10 | 000 ↔ 255 | RGBW-modus: 0-100% / CMY-modus: 100-0% |
| 59 | Blauw 10 Geel 10 | 000 ↔ 255 | RGBW-modus: 0-100% / CMY-modus: 100-0% |
| 60 | Wit 10 | 000 ↔ 255 | RGBW-modus: 0-100% / CMY-modus: 100-0% |
| 61 | Rood 11 Cyaan 11 | 000 ↔ 255 | RGBW-modus: 0-100% / CMY-modus: 100-0% |
| 62 | Groen 11 Magenta 11 | 000 ↔ 255 | RGBW-modus: 0-100% / CMY-modus: 100-0% |
| 63 | Blauw 11 Geel 11 | 000 ↔ 255 | RGBW-modus: 0-100% / CMY-modus: 100-0% |
| 64 | Wit 11 | 000 ↔ 255 | RGBW-modus: 0-100% / CMY-modus: 100-0% |
| 65 | Rood 12 Cyaan 12 | 000 ↔ 255 | RGBW-modus: 0-100% / CMY-modus: 100-0% |
| 66 | Groen 12 Magenta 12 | 000 ↔ 255 | RGBW-modus: 0-100% / CMY-modus: 100-0% |
| 67 | Blauw 12 Geel 12 | 000 ↔ 255 | RGBW-modus: 0-100% / CMY-modus: 100-0% |
| 68 | Wit 12 | 000 ↔ 255 | RGBW-modus: 0-100% / CMY-modus: 100-0% |
| 69 | Rood 13 Cyaan 13 | 000 ↔ 255 | RGBW-modus: 0-100% / CMY-modus: 100-0% |
| 70 | Groen 13 Magenta 13 | 000 ↔ 255 | RGBW-modus: 0-100% / CMY-modus: 100-0% |
| 71 | Blauw 13 Geel 13 | 000 ↔ 255 | RGBW-modus: 0-100% / CMY-modus: 100-0% |
| 72 | Wit 13 | 000 ↔ 255 | RGBW-modus: 0-100% / CMY-modus: 100-0% |
| 73 | Rood 14 Cyaan 14 | 000 ↔ 255 | RGBW-modus: 0-100% / CMY-modus: 100-0% |
| 74 | Groen 14 Magenta 14 | 000 ↔ 255 | RGBW-modus: 0-100% / CMY-modus: 100-0% |
| 75 | Blauw 14 Geel 14 | 000 ↔ 255 | RGBW-modus: 0-100% / CMY-modus: 100-0% |
| 76 | Wit 14 | 000 ↔ 255 | RGBW-modus: 0-100% / CMY-modus: 100-0% |
| 77 | Rood 15 Cyaan 15 | 000 ↔ 255 | RGBW-modus: 0-100% / CMY-modus: 100-0% |
| 78 | Groen 15 Magenta 15 | 000 ↔ 255 | RGBW-modus: 0-100% / CMY-modus: 100-0% |
| 79 | Blauw 15 Geel 15 | 000 ↔ 255 | RGBW-modus: 0-100% / CMY-modus: 100-0% |
| 80 | Wit 15 | 000 ↔ 255 | RGBW-modus: 0-100% / CMY-modus: 100-0% |
| 81 | Rood 16 Cyaan 16 | 000 ↔ 255 | RGBW-modus: 0-100% / CMY-modus: 100-0% |
| 82 | Groen 16 Magenta 16 | 000 ↔ 255 | RGBW-modus: 0-100% / CMY-modus: 100-0% |
| 83 | Blauw 16 Geel 16 | 000 ↔ 255 | RGBW-modus: 0-100% / CMY-modus: 100-0% |
| 84 | Wit 16 | 000 ↔ 255 | RGBW-modus: 0-100% / CMY-modus: 100-0% |

Single Control: Basic-modus (20CH)

| Kanaal | Functie | Waarde | Percentage/Instelling |
|--------|--|-------------------------------|--|
| 1 | Kantelen | 000 ⇔ 255 | 0–100% |
| 2 | Fijnekantelen | 000 ⇔ 255 | 0–100% |
| 3 | Kantelensnelheid | 000 ⇔ 255 | 0–100% |
| 4 | CTC | 000 001 ⇔ 255 | Geen functie Kleurtemperatuur, 1900–2700 K |
| 5 | Kleur | 000 ⇔ 255 | zie Kleurenkaart |
| 6 | Patronen (zie Patronen) | 000 001 ⇔ 255 | Geen functie Patroon 1–255 |
| 7 | LED macro | 000 ⇔ 255 | Zie Kleurenkaart |
| 8 | LED macro snelheid | 000 ⇔ 127 128 129 ⇔ 255 | Kleurwijziging met de klok mee, snel tot langzaam Bevriezen Kleurwijziging tegen de klok in, langzaam tot snel |
| 9 | LED ingebouwde vertraging | 000 ⇔ 255 | Snel tot langzaam |
| 10 | Achtergrondkleur | 000 ⇔ 255 | zie Kleurenkaart |
| 11 | Achtergronddimmer | 000 ⇔ 255 | 0–100% |
| 12 | Dimmer | 000 ⇔ 255 | 0–100% |
| 13 | Stroboscoop | 000 ⇔ 255 | zie Stroboscoop instellingen |
| 14 | Zoom 1 (zie Zoomzones) | 000 ⇔ 255 | Breed tot nauw (Zone 1) |
| 15 | Zoom 2 (zie Zoomzones) | 000 ⇔ 255 | Breed tot nauw (Zone 2) |
| 16 | Regeling | 000 ⇔ 255 | zie Bedieningsinstellingen |
| 17 | Hoofdrood | 000 ⇔ 255 | RGBW-modus: 0–100% / CMY-modus: 100–0% |
| 18 | Hoofdgroen | 000 ⇔ 255 | RGBW-modus: 0–100% / CMY-modus: 100–0% |
| 19 | Hoofdblauw | 000 ⇔ 255 | RGBW-modus: 0–100% / CMY-modus: 100–0% |
| 20 | Hoofdwit | 000 ⇔ 255 | RGBW-modus: 0–100% / CMY-modus: 100–0% |

Dual Control Movement: Advanced-modus (26CH)

| Kanaal | Functie | Waarde | Percentage/Instelling |
|--------|--|-------------------------------|--|
| 1 | Kantelen | 000 ⇔ 255 | 0–100% |
| 2 | Fijnekantelen | 000 ⇔ 255 | 0–100% |
| 3 | Kantelensnelheid | 000 ⇔ 255 | 0–100% |
| 4 | CTC | 000 001 ⇔ 255 | Geen functie Kleurtemperatuur, 1900–2700 K |
| 5 | Kleur | 000 ⇔ 255 | zie Kleurenkaart |
| 6 | Patronen (zie Patronen) | 000 001 ⇔ 255 | Geen functie Patroon 1–255 |
| 7 | LED macro | 000 ⇔ 255 | Zie Kleurenkaart |
| 8 | LED macro snelheid | 000 ⇔ 127 128 129 ⇔ 255 | Kleurwijziging met de klok mee, snel tot langzaam Bevriezen Kleurwijziging tegen de klok in, langzaam tot snel |
| 9 | LED ingebouwde vertraging | 000 ⇔ 255 | Snel tot langzaam |
| 10 | Achtergrondkleur | 000 ⇔ 255 | zie Kleurenkaart |
| 11 | Achtergronddimmer | 000 ⇔ 255 | 0–100% |
| 12 | Fijneachtergronddimmer | 000 ⇔ 255 | 0–100% |
| 13 | Dimmer | 000 ⇔ 255 | 0–100% |
| 14 | Fijnedimmer | 000 ⇔ 255 | 0–100% |
| 15 | Stroboscoop | 000 ⇔ 255 | zie Stroboscoop instellingen |
| 16 | Zoom 1 (zie Zoomzones) | 000 ⇔ 255 | Breed tot nauw (Zone 1) |
| 17 | Zoom 2 (zie Zoomzones) | 000 ⇔ 255 | Breed tot nauw (Zone 2) |
| 18 | Regeling | 000 ⇔ 255 | zie Bedieningsinstellingen |

| Kanaal | Functie | Waarde | Percentage/Instelling |
|--------|------------|-----------|--|
| 19 | Rood | 000 ⇔ 255 | RGBW-modus: 0–100% / CMY-modus: 100–0% |
| 20 | Fijnerood | 000 ⇔ 255 | RGBW-modus: 0–100% / CMY-modus: 100–0% |
| 21 | Groen | 000 ⇔ 255 | RGBW-modus: 0–100% / CMY-modus: 100–0% |
| 22 | Fijnegroen | 000 ⇔ 255 | RGBW-modus: 0–100% / CMY-modus: 100–0% |
| 23 | Blauw | 000 ⇔ 255 | RGBW-modus: 0–100% / CMY-modus: 100–0% |
| 24 | Fijneblauw | 000 ⇔ 255 | RGBW-modus: 0–100% / CMY-modus: 100–0% |
| 25 | Wit | 000 ⇔ 255 | RGBW-modus: 0–100% / CMY-modus: 100–0% |
| 26 | Fijnewit | 000 ⇔ 255 | RGBW-modus: 0–100% / CMY-modus: 100–0% |

Dual Control Movement: Standard-modus (20CH)

| Kanaal | Functie | Waarde | Percentage/Instelling |
|--------|--|-------------------------------|--|
| 1 | Kantelen | 000 ⇔ 255 | 0–100% |
| 2 | Fijnekantelen | 000 ⇔ 255 | 0–100% |
| 3 | Kantelensnelheid | 000 ⇔ 255 | 0–100% |
| 4 | CTC | 000 001 ⇔ 255 | Geen functie Kleurtemperatuur, 1900–2700 K |
| 5 | Kleur | 000 ⇔ 255 | zie Kleurenkaart |
| 6 | Patronen (zie Patronen) | 000 001 ⇔ 255 | Geen functie Patroon 1–255 |
| 7 | LED macro | 000 ⇔ 255 | Zie Kleurenkaart |
| 8 | LED macro snelheid | 000 ⇔ 127 128 129 ⇔ 255 | Kleurwijziging met de klok mee, snel tot langzaam Bevriezen Kleurwijziging tegen de klok in, langzaam tot snel |
| 9 | LED ingebouwde vertraging | 000 ⇔ 255 | Snel tot langzaam |
| 10 | Achtergrondkleur | 000 ⇔ 255 | zie Kleurenkaart |
| 11 | Achtergronddimmer | 000 ⇔ 255 | 0–100% |
| 12 | Dimmer | 000 ⇔ 255 | 0–100% |
| 13 | Stroboscoop | 000 ⇔ 255 | zie Stroboscoop instellingen |
| 14 | Zoom 1 (zie Zoomzones) | 000 ⇔ 255 | Breed tot nauw (Zone 1) |
| 15 | Zoom 2 (zie Zoomzones) | 000 ⇔ 255 | Breed tot nauw (Zone 2) |
| 16 | Regeling | 000 ⇔ 255 | zie Bedieningsinstellingen |
| 17 | Rood | 000 ⇔ 255 | RGBW-modus: 0–100% / CMY-modus: 100–0% |
| 18 | Groen | 000 ⇔ 255 | RGBW-modus: 0–100% / CMY-modus: 100–0% |
| 19 | Blauw | 000 ⇔ 255 | RGBW-modus: 0–100% / CMY-modus: 100–0% |
| 20 | Wit | 000 ⇔ 255 | RGBW-modus: 0–100% / CMY-modus: 100–0% |

Dual Control Movement: Basic-modus (8CH)

| Kanaal | Functie | Waarde | Percentage/Instelling |
|--------|---|-----------|--|
| 1 | Kantelen | 000 ⇔ 255 | 0–100% |
| 2 | Fijnekantelen | 000 ⇔ 255 | 0–100% |
| 3 | Kantelensnelheid | 000 ⇔ 255 | 0–100% |
| 4 | Dimmer | 000 ⇔ 255 | 0–100% |
| 5 | Stroboscoop | 000 ⇔ 255 | zie Stroboscoop instellingen |
| 6 | Zoom 1 (zie Zoomzones) | 000 ⇔ 255 | Breed tot nauw (Zone 1) |
| 7 | Zoom 2 (zie Zoomzones) | 000 ⇔ 255 | Breed tot nauw (Zone 2) |
| 8 | Regeling | 000 ⇔ 255 | zie Bedieningsinstellingen |

Dual Control Pixels: Advanced-modus (128CH)

| Kanaal | Functie | Waarde | Percentage/Instelling |
|--------|--------------|-----------------|--|
| 1 | Rood 1 | Cyaan 1 | 000 ⇔ 255 RGBW-modus: 0–100% / CMY-modus: 100–0% |
| 2 | Fijnerood 1 | Fijne cyaan 1 | 000 ⇔ 255 RGBW-modus: 0–100% / CMY-modus: 100–0% |
| 3 | Groen 1 | Magenta 1 | 000 ⇔ 255 RGBW-modus: 0–100% / CMY-modus: 100–0% |
| 4 | Fijnegroen 1 | Fijne magenta 1 | 000 ⇔ 255 RGBW-modus: 0–100% / CMY-modus: 100–0% |
| 5 | Blauw 1 | Geel 1 | 000 ⇔ 255 RGBW-modus: 0–100% / CMY-modus: 100–0% |
| 6 | Fijneblauw 1 | Fijne geel 1 | 000 ⇔ 255 RGBW-modus: 0–100% / CMY-modus: 100–0% |
| 7 | Wit 1 | | 000 ⇔ 255 RGBW-modus: 0–100% / CMY-modus: 100–0% |
| 8 | Fijnewit 1 | | 000 ⇔ 255 RGBW-modus: 0–100% / CMY-modus: 100–0% |
| 9 | Rood 2 | Cyaan 2 | 000 ⇔ 255 RGBW-modus: 0–100% / CMY-modus: 100–0% |
| 10 | Fijnerood 2 | Fijne cyaan 2 | 000 ⇔ 255 RGBW-modus: 0–100% / CMY-modus: 100–0% |
| 11 | Groen 2 | Magenta 2 | 000 ⇔ 255 RGBW-modus: 0–100% / CMY-modus: 100–0% |
| 12 | Fijnegroen 2 | Fijne magenta 2 | 000 ⇔ 255 RGBW-modus: 0–100% / CMY-modus: 100–0% |
| 13 | Blauw 2 | Geel 2 | 000 ⇔ 255 RGBW-modus: 0–100% / CMY-modus: 100–0% |
| 14 | Fijneblauw 2 | Fijne geel 2 | 000 ⇔ 255 RGBW-modus: 0–100% / CMY-modus: 100–0% |
| 15 | Wit 2 | | 000 ⇔ 255 RGBW-modus: 0–100% / CMY-modus: 100–0% |
| 16 | Fijnewit 2 | | 000 ⇔ 255 RGBW-modus: 0–100% / CMY-modus: 100–0% |
| 17 | Rood 3 | Cyaan 3 | 000 ⇔ 255 RGBW-modus: 0–100% / CMY-modus: 100–0% |
| 18 | Fijnerood 3 | Fijne cyaan 3 | 000 ⇔ 255 RGBW-modus: 0–100% / CMY-modus: 100–0% |
| 19 | Groen 3 | Magenta 3 | 000 ⇔ 255 RGBW-modus: 0–100% / CMY-modus: 100–0% |
| 20 | Fijnegroen 3 | Fijne magenta 3 | 000 ⇔ 255 RGBW-modus: 0–100% / CMY-modus: 100–0% |
| 21 | Blauw 3 | Geel 3 | 000 ⇔ 255 RGBW-modus: 0–100% / CMY-modus: 100–0% |
| 22 | Fijneblauw 3 | Fijne geel 3 | 000 ⇔ 255 RGBW-modus: 0–100% / CMY-modus: 100–0% |
| 23 | Wit 3 | | 000 ⇔ 255 RGBW-modus: 0–100% / CMY-modus: 100–0% |
| 24 | Fijnewit 3 | | 000 ⇔ 255 RGBW-modus: 0–100% / CMY-modus: 100–0% |
| 25 | Rood 4 | Cyaan 4 | 000 ⇔ 255 RGBW-modus: 0–100% / CMY-modus: 100–0% |
| 26 | Fijnerood 4 | Fijne cyaan 4 | 000 ⇔ 255 RGBW-modus: 0–100% / CMY-modus: 100–0% |
| 27 | Groen 4 | Magenta 4 | 000 ⇔ 255 RGBW-modus: 0–100% / CMY-modus: 100–0% |
| 28 | Fijnegroen 4 | Fijne magenta 4 | 000 ⇔ 255 RGBW-modus: 0–100% / CMY-modus: 100–0% |
| 29 | Blauw 4 | Geel 4 | 000 ⇔ 255 RGBW-modus: 0–100% / CMY-modus: 100–0% |
| 30 | Fijneblauw 4 | Fijne geel 4 | 000 ⇔ 255 RGBW-modus: 0–100% / CMY-modus: 100–0% |
| 31 | Wit 4 | | 000 ⇔ 255 RGBW-modus: 0–100% / CMY-modus: 100–0% |
| 32 | Fijnewit 4 | | 000 ⇔ 255 RGBW-modus: 0–100% / CMY-modus: 100–0% |
| 33 | Rood 5 | Cyaan 5 | 000 ⇔ 255 RGBW-modus: 0–100% / CMY-modus: 100–0% |
| 34 | Fijnerood 5 | Fijne cyaan 5 | 000 ⇔ 255 RGBW-modus: 0–100% / CMY-modus: 100–0% |
| 35 | Groen 5 | Magenta 5 | 000 ⇔ 255 RGBW-modus: 0–100% / CMY-modus: 100–0% |
| 36 | Fijnegroen 5 | Fijne magenta 5 | 000 ⇔ 255 RGBW-modus: 0–100% / CMY-modus: 100–0% |
| 37 | Blauw 5 | Geel 5 | 000 ⇔ 255 RGBW-modus: 0–100% / CMY-modus: 100–0% |
| 38 | Fijneblauw 5 | Fijne geel 5 | 000 ⇔ 255 RGBW-modus: 0–100% / CMY-modus: 100–0% |
| 39 | Wit 5 | | 000 ⇔ 255 RGBW-modus: 0–100% / CMY-modus: 100–0% |
| 40 | Fijnewit 5 | | 000 ⇔ 255 RGBW-modus: 0–100% / CMY-modus: 100–0% |
| 41 | Rood 6 | Cyaan 6 | 000 ⇔ 255 RGBW-modus: 0–100% / CMY-modus: 100–0% |
| 42 | Fijnerood 6 | Fijne cyaan 6 | 000 ⇔ 255 RGBW-modus: 0–100% / CMY-modus: 100–0% |
| 43 | Groen 6 | Magenta 6 | 000 ⇔ 255 RGBW-modus: 0–100% / CMY-modus: 100–0% |
| 44 | Fijnegroen 6 | Fijne magenta 6 | 000 ⇔ 255 RGBW-modus: 0–100% / CMY-modus: 100–0% |
| 45 | Blauw 6 | Geel 6 | 000 ⇔ 255 RGBW-modus: 0–100% / CMY-modus: 100–0% |
| 46 | Fijneblauw 6 | Fijne geel 6 | 000 ⇔ 255 RGBW-modus: 0–100% / CMY-modus: 100–0% |
| 47 | Wit 6 | | 000 ⇔ 255 RGBW-modus: 0–100% / CMY-modus: 100–0% |
| 48 | Fijnewit 6 | | 000 ⇔ 255 RGBW-modus: 0–100% / CMY-modus: 100–0% |
| 49 | Rood 7 | Cyaan 7 | 000 ⇔ 255 RGBW-modus: 0–100% / CMY-modus: 100–0% |
| 50 | Fijnerood 7 | Fijne cyaan 7 | 000 ⇔ 255 RGBW-modus: 0–100% / CMY-modus: 100–0% |

| Kanaal | Functie | | Waarde | Percentage/Instelling |
|--------|---------------|------------------|-----------|--|
| 51 | Groen 7 | Magenta 7 | 000 ⇔ 255 | RGBW-modus: 0-100% / CMY-modus: 100-0% |
| 52 | Fijnegroen 7 | Fijne magenta 7 | 000 ⇔ 255 | RGBW-modus: 0-100% / CMY-modus: 100-0% |
| 53 | Blauw 7 | Geel 7 | 000 ⇔ 255 | RGBW-modus: 0-100% / CMY-modus: 100-0% |
| 54 | Fijneblauw 7 | Fijne geel 7 | 000 ⇔ 255 | RGBW-modus: 0-100% / CMY-modus: 100-0% |
| 55 | Wit 7 | | 000 ⇔ 255 | RGBW-modus: 0-100% / CMY-modus: 100-0% |
| 56 | Fijnewit 7 | | 000 ⇔ 255 | RGBW-modus: 0-100% / CMY-modus: 100-0% |
| 57 | Rood 8 | Cyaan 8 | 000 ⇔ 255 | RGBW-modus: 0-100% / CMY-modus: 100-0% |
| 58 | Fijnerood 8 | Fijne cyaan 8 | 000 ⇔ 255 | RGBW-modus: 0-100% / CMY-modus: 100-0% |
| 59 | Groen 8 | Magenta 8 | 000 ⇔ 255 | RGBW-modus: 0-100% / CMY-modus: 100-0% |
| 60 | Fijnegroen 8 | Fijne magenta 8 | 000 ⇔ 255 | RGBW-modus: 0-100% / CMY-modus: 100-0% |
| 61 | Blauw 8 | Geel 8 | 000 ⇔ 255 | RGBW-modus: 0-100% / CMY-modus: 100-0% |
| 62 | Fijneblauw 8 | Fijne geel 8 | 000 ⇔ 255 | RGBW-modus: 0-100% / CMY-modus: 100-0% |
| 63 | Wit 8 | | 000 ⇔ 255 | RGBW-modus: 0-100% / CMY-modus: 100-0% |
| 64 | Fijnewit 8 | | 000 ⇔ 255 | RGBW-modus: 0-100% / CMY-modus: 100-0% |
| 65 | Rood 9 | Cyaan 9 | 000 ⇔ 255 | RGBW-modus: 0-100% / CMY-modus: 100-0% |
| 66 | Fijnerood 9 | Fijne cyaan 9 | 000 ⇔ 255 | RGBW-modus: 0-100% / CMY-modus: 100-0% |
| 67 | Groen 9 | Magenta 9 | 000 ⇔ 255 | RGBW-modus: 0-100% / CMY-modus: 100-0% |
| 68 | Fijnegroen 9 | Fijne magenta 9 | 000 ⇔ 255 | RGBW-modus: 0-100% / CMY-modus: 100-0% |
| 69 | Blauw 9 | Geel 9 | 000 ⇔ 255 | RGBW-modus: 0-100% / CMY-modus: 100-0% |
| 70 | Fijneblauw 9 | Fijne geel 9 | 000 ⇔ 255 | RGBW-modus: 0-100% / CMY-modus: 100-0% |
| 71 | Wit 9 | | 000 ⇔ 255 | RGBW-modus: 0-100% / CMY-modus: 100-0% |
| 72 | Fijnewit 9 | | 000 ⇔ 255 | RGBW-modus: 0-100% / CMY-modus: 100-0% |
| 73 | Rood 10 | Cyaan 10 | 000 ⇔ 255 | RGBW-modus: 0-100% / CMY-modus: 100-0% |
| 74 | Fijnerood 10 | Fijne cyaan 10 | 000 ⇔ 255 | RGBW-modus: 0-100% / CMY-modus: 100-0% |
| 75 | Groen 10 | Magenta 10 | 000 ⇔ 255 | RGBW-modus: 0-100% / CMY-modus: 100-0% |
| 76 | Fijnegroen 10 | Fijne magenta 10 | 000 ⇔ 255 | RGBW-modus: 0-100% / CMY-modus: 100-0% |
| 77 | Blauw 10 | Geel 10 | 000 ⇔ 255 | RGBW-modus: 0-100% / CMY-modus: 100-0% |
| 78 | Fijneblauw 10 | Fijne geel 10 | 000 ⇔ 255 | RGBW-modus: 0-100% / CMY-modus: 100-0% |
| 79 | Wit 10 | | 000 ⇔ 255 | RGBW-modus: 0-100% / CMY-modus: 100-0% |
| 80 | Fijnewit 10 | | 000 ⇔ 255 | RGBW-modus: 0-100% / CMY-modus: 100-0% |
| 81 | Rood 11 | Cyaan 11 | 000 ⇔ 255 | RGBW-modus: 0-100% / CMY-modus: 100-0% |
| 82 | Fijnerood 11 | Fijne cyaan 11 | 000 ⇔ 255 | RGBW-modus: 0-100% / CMY-modus: 100-0% |
| 83 | Groen 11 | Magenta 11 | 000 ⇔ 255 | RGBW-modus: 0-100% / CMY-modus: 100-0% |
| 84 | Fijnegroen 11 | Fijne magenta 11 | 000 ⇔ 255 | RGBW-modus: 0-100% / CMY-modus: 100-0% |
| 85 | Blauw 11 | Geel 11 | 000 ⇔ 255 | RGBW-modus: 0-100% / CMY-modus: 100-0% |
| 86 | Fijneblauw 11 | Fijne geel 11 | 000 ⇔ 255 | RGBW-modus: 0-100% / CMY-modus: 100-0% |
| 87 | Wit 11 | | 000 ⇔ 255 | RGBW-modus: 0-100% / CMY-modus: 100-0% |
| 88 | Fijnewit 11 | | 000 ⇔ 255 | RGBW-modus: 0-100% / CMY-modus: 100-0% |
| 89 | Rood 12 | Cyaan 12 | 000 ⇔ 255 | RGBW-modus: 0-100% / CMY-modus: 100-0% |
| 90 | Fijnerood 12 | Fijne cyaan 12 | 000 ⇔ 255 | RGBW-modus: 0-100% / CMY-modus: 100-0% |
| 91 | Groen 12 | Magenta 12 | 000 ⇔ 255 | RGBW-modus: 0-100% / CMY-modus: 100-0% |
| 92 | Fijnegroen 12 | Fijne magenta 12 | 000 ⇔ 255 | RGBW-modus: 0-100% / CMY-modus: 100-0% |
| 93 | Blauw 12 | Geel 12 | 000 ⇔ 255 | RGBW-modus: 0-100% / CMY-modus: 100-0% |
| 94 | Fijneblauw 12 | Fijne geel 12 | 000 ⇔ 255 | RGBW-modus: 0-100% / CMY-modus: 100-0% |
| 95 | Wit 12 | | 000 ⇔ 255 | RGBW-modus: 0-100% / CMY-modus: 100-0% |
| 96 | Fijnewit 12 | | 000 ⇔ 255 | RGBW-modus: 0-100% / CMY-modus: 100-0% |
| 97 | Rood 13 | Cyaan 13 | 000 ⇔ 255 | RGBW-modus: 0-100% / CMY-modus: 100-0% |
| 98 | Fijnerood 13 | Fijne cyaan 13 | 000 ⇔ 255 | RGBW-modus: 0-100% / CMY-modus: 100-0% |
| 99 | Groen 13 | Magenta 13 | 000 ⇔ 255 | RGBW-modus: 0-100% / CMY-modus: 100-0% |
| 100 | Fijnegroen 13 | Fijne magenta 13 | 000 ⇔ 255 | RGBW-modus: 0-100% / CMY-modus: 100-0% |
| 101 | Blauw 13 | Geel 13 | 000 ⇔ 255 | RGBW-modus: 0-100% / CMY-modus: 100-0% |

| Kanaal | Functie | | Waarde | Percentage/Instelling |
|--------|---------------|------------------|-----------|--|
| 102 | Fijneblauw 13 | Fijne geel 13 | 000 ⇔ 255 | RGBW-modus: 0–100% / CMY-modus: 100–0% |
| 103 | Wit 13 | | 000 ⇔ 255 | RGBW-modus: 0–100% / CMY-modus: 100–0% |
| 104 | Fijnewit 13 | | 000 ⇔ 255 | RGBW-modus: 0–100% / CMY-modus: 100–0% |
| 105 | Rood 14 | Cyaan 14 | 000 ⇔ 255 | RGBW-modus: 0–100% / CMY-modus: 100–0% |
| 106 | Fijnerood 14 | Fijne cyaan 14 | 000 ⇔ 255 | RGBW-modus: 0–100% / CMY-modus: 100–0% |
| 107 | Groen 14 | Magenta 14 | 000 ⇔ 255 | RGBW-modus: 0–100% / CMY-modus: 100–0% |
| 108 | Fijnegroen 14 | Fijne magenta 14 | 000 ⇔ 255 | RGBW-modus: 0–100% / CMY-modus: 100–0% |
| 109 | Blauw 14 | Geel 14 | 000 ⇔ 255 | RGBW-modus: 0–100% / CMY-modus: 100–0% |
| 110 | Fijneblauw 14 | Fijne geel 14 | 000 ⇔ 255 | RGBW-modus: 0–100% / CMY-modus: 100–0% |
| 111 | Wit 14 | | 000 ⇔ 255 | RGBW-modus: 0–100% / CMY-modus: 100–0% |
| 112 | Fijnewit 14 | | 000 ⇔ 255 | RGBW-modus: 0–100% / CMY-modus: 100–0% |
| 113 | Rood 15 | Cyaan 15 | 000 ⇔ 255 | RGBW-modus: 0–100% / CMY-modus: 100–0% |
| 114 | Fijnerood 15 | Fijne cyaan 15 | 000 ⇔ 255 | RGBW-modus: 0–100% / CMY-modus: 100–0% |
| 115 | Groen 15 | Magenta 15 | 000 ⇔ 255 | RGBW-modus: 0–100% / CMY-modus: 100–0% |
| 116 | Fijnegroen 15 | Fijne magenta 15 | 000 ⇔ 255 | RGBW-modus: 0–100% / CMY-modus: 100–0% |
| 117 | Blauw 15 | Geel 15 | 000 ⇔ 255 | RGBW-modus: 0–100% / CMY-modus: 100–0% |
| 118 | Fijneblauw 15 | Fijne geel 15 | 000 ⇔ 255 | RGBW-modus: 0–100% / CMY-modus: 100–0% |
| 119 | Wit 15 | | 000 ⇔ 255 | RGBW-modus: 0–100% / CMY-modus: 100–0% |
| 120 | Fijnewit 15 | | 000 ⇔ 255 | RGBW-modus: 0–100% / CMY-modus: 100–0% |
| 121 | Rood 16 | Cyaan 16 | 000 ⇔ 255 | RGBW-modus: 0–100% / CMY-modus: 100–0% |
| 122 | Fijnerood 16 | Fijne cyaan 16 | 000 ⇔ 255 | RGBW-modus: 0–100% / CMY-modus: 100–0% |
| 123 | Groen 16 | Magenta 16 | 000 ⇔ 255 | RGBW-modus: 0–100% / CMY-modus: 100–0% |
| 124 | Fijnegroen 16 | Fijne magenta 16 | 000 ⇔ 255 | RGBW-modus: 0–100% / CMY-modus: 100–0% |
| 125 | Blauw 16 | Geel 16 | 000 ⇔ 255 | RGBW-modus: 0–100% / CMY-modus: 100–0% |
| 126 | Fijneblauw 16 | Fijne geel 16 | 000 ⇔ 255 | RGBW-modus: 0–100% / CMY-modus: 100–0% |
| 127 | Wit 16 | | 000 ⇔ 255 | RGBW-modus: 0–100% / CMY-modus: 100–0% |
| 128 | Fijnewit 16 | | 000 ⇔ 255 | RGBW-modus: 0–100% / CMY-modus: 100–0% |

Dual Control Pixels: Standard-modus (64CH)

| Kanaal | Functie | | Waarde | Percentage/Instelling |
|--------|---------|-----------|-----------|--|
| 1 | Rood 1 | Cyaan 1 | 000 ⇔ 255 | RGBW-modus: 0–100% / CMY-modus: 100–0% |
| 2 | Groen 1 | Magenta 1 | 000 ⇔ 255 | RGBW-modus: 0–100% / CMY-modus: 100–0% |
| 3 | Blauw 1 | Geel 1 | 000 ⇔ 255 | RGBW-modus: 0–100% / CMY-modus: 100–0% |
| 4 | Wit 1 | | 000 ⇔ 255 | RGBW-modus: 0–100% / CMY-modus: 100–0% |
| 5 | Rood 2 | Cyaan 2 | 000 ⇔ 255 | RGBW-modus: 0–100% / CMY-modus: 100–0% |
| 6 | Groen 2 | Magenta 2 | 000 ⇔ 255 | RGBW-modus: 0–100% / CMY-modus: 100–0% |
| 7 | Blauw 2 | Geel 2 | 000 ⇔ 255 | RGBW-modus: 0–100% / CMY-modus: 100–0% |
| 8 | Wit 2 | | 000 ⇔ 255 | RGBW-modus: 0–100% / CMY-modus: 100–0% |
| 9 | Rood 3 | Cyaan 3 | 000 ⇔ 255 | RGBW-modus: 0–100% / CMY-modus: 100–0% |
| 10 | Groen 3 | Magenta 3 | 000 ⇔ 255 | RGBW-modus: 0–100% / CMY-modus: 100–0% |
| 11 | Blauw 3 | Geel 3 | 000 ⇔ 255 | RGBW-modus: 0–100% / CMY-modus: 100–0% |
| 12 | Wit 3 | | 000 ⇔ 255 | RGBW-modus: 0–100% / CMY-modus: 100–0% |
| 13 | Rood 4 | Cyaan 4 | 000 ⇔ 255 | RGBW-modus: 0–100% / CMY-modus: 100–0% |
| 14 | Groen 4 | Magenta 4 | 000 ⇔ 255 | RGBW-modus: 0–100% / CMY-modus: 100–0% |
| 15 | Blauw 4 | Geel 4 | 000 ⇔ 255 | RGBW-modus: 0–100% / CMY-modus: 100–0% |
| 16 | Wit 4 | | 000 ⇔ 255 | RGBW-modus: 0–100% / CMY-modus: 100–0% |
| 17 | Rood 5 | Cyaan 5 | 000 ⇔ 255 | RGBW-modus: 0–100% / CMY-modus: 100–0% |
| 18 | Groen 5 | Magenta 5 | 000 ⇔ 255 | RGBW-modus: 0–100% / CMY-modus: 100–0% |
| 19 | Blauw 5 | Geel 5 | 000 ⇔ 255 | RGBW-modus: 0–100% / CMY-modus: 100–0% |
| 20 | Wit 5 | | 000 ⇔ 255 | RGBW-modus: 0–100% / CMY-modus: 100–0% |

| Kanaal | Functie | | Waarde | Percentage/Instelling |
|--------|-----------|------------|-----------|--|
| 21 | Rood 6 | Cyaan 6 | 000 ⇄ 255 | RGBW-modus: 0–100% / CMY-modus: 100–0% |
| 22 | Groen 6 | Magenta 6 | 000 ⇄ 255 | RGBW-modus: 0–100% / CMY-modus: 100–0% |
| 23 | Blaauw 6 | Geel 6 | 000 ⇄ 255 | RGBW-modus: 0–100% / CMY-modus: 100–0% |
| 24 | Wit 6 | | 000 ⇄ 255 | RGBW-modus: 0–100% / CMY-modus: 100–0% |
| 25 | Rood 7 | Cyaan 7 | 000 ⇄ 255 | RGBW-modus: 0–100% / CMY-modus: 100–0% |
| 26 | Groen 7 | Magenta 7 | 000 ⇄ 255 | RGBW-modus: 0–100% / CMY-modus: 100–0% |
| 27 | Blaauw 7 | Geel 7 | 000 ⇄ 255 | RGBW-modus: 0–100% / CMY-modus: 100–0% |
| 28 | Wit 7 | | 000 ⇄ 255 | RGBW-modus: 0–100% / CMY-modus: 100–0% |
| 29 | Rood 8 | Cyaan 8 | 000 ⇄ 255 | RGBW-modus: 0–100% / CMY-modus: 100–0% |
| 30 | Groen 8 | Magenta 8 | 000 ⇄ 255 | RGBW-modus: 0–100% / CMY-modus: 100–0% |
| 31 | Blaauw 8 | Geel 8 | 000 ⇄ 255 | RGBW-modus: 0–100% / CMY-modus: 100–0% |
| 32 | Wit 8 | | 000 ⇄ 255 | RGBW-modus: 0–100% / CMY-modus: 100–0% |
| 33 | Rood 9 | Cyaan 9 | 000 ⇄ 255 | RGBW-modus: 0–100% / CMY-modus: 100–0% |
| 34 | Groen 9 | Magenta 9 | 000 ⇄ 255 | RGBW-modus: 0–100% / CMY-modus: 100–0% |
| 35 | Blaauw 9 | Geel 9 | 000 ⇄ 255 | RGBW-modus: 0–100% / CMY-modus: 100–0% |
| 36 | Wit 9 | | 000 ⇄ 255 | RGBW-modus: 0–100% / CMY-modus: 100–0% |
| 37 | Rood 10 | Cyaan 10 | 000 ⇄ 255 | RGBW-modus: 0–100% / CMY-modus: 100–0% |
| 38 | Groen 10 | Magenta 10 | 000 ⇄ 255 | RGBW-modus: 0–100% / CMY-modus: 100–0% |
| 39 | Blaauw 10 | Geel 10 | 000 ⇄ 255 | RGBW-modus: 0–100% / CMY-modus: 100–0% |
| 40 | Wit 10 | | 000 ⇄ 255 | RGBW-modus: 0–100% / CMY-modus: 100–0% |
| 41 | Rood 11 | Cyaan 11 | 000 ⇄ 255 | RGBW-modus: 0–100% / CMY-modus: 100–0% |
| 42 | Groen 11 | Magenta 11 | 000 ⇄ 255 | RGBW-modus: 0–100% / CMY-modus: 100–0% |
| 43 | Blaauw 11 | Geel 11 | 000 ⇄ 255 | RGBW-modus: 0–100% / CMY-modus: 100–0% |
| 44 | Wit 11 | | 000 ⇄ 255 | RGBW-modus: 0–100% / CMY-modus: 100–0% |
| 45 | Rood 12 | Cyaan 12 | 000 ⇄ 255 | RGBW-modus: 0–100% / CMY-modus: 100–0% |
| 46 | Groen 12 | Magenta 12 | 000 ⇄ 255 | RGBW-modus: 0–100% / CMY-modus: 100–0% |
| 47 | Blaauw 12 | Geel 12 | 000 ⇄ 255 | RGBW-modus: 0–100% / CMY-modus: 100–0% |
| 48 | Wit 12 | | 000 ⇄ 255 | RGBW-modus: 0–100% / CMY-modus: 100–0% |
| 49 | Rood 13 | Cyaan 13 | 000 ⇄ 255 | RGBW-modus: 0–100% / CMY-modus: 100–0% |
| 50 | Groen 13 | Magenta 13 | 000 ⇄ 255 | RGBW-modus: 0–100% / CMY-modus: 100–0% |
| 51 | Blaauw 13 | Geel 13 | 000 ⇄ 255 | RGBW-modus: 0–100% / CMY-modus: 100–0% |
| 52 | Wit 13 | | 000 ⇄ 255 | RGBW-modus: 0–100% / CMY-modus: 100–0% |
| 53 | Rood 14 | Cyaan 14 | 000 ⇄ 255 | RGBW-modus: 0–100% / CMY-modus: 100–0% |
| 54 | Groen 14 | Magenta 14 | 000 ⇄ 255 | RGBW-modus: 0–100% / CMY-modus: 100–0% |
| 55 | Blaauw 14 | Geel 14 | 000 ⇄ 255 | RGBW-modus: 0–100% / CMY-modus: 100–0% |
| 56 | Wit 14 | | 000 ⇄ 255 | RGBW-modus: 0–100% / CMY-modus: 100–0% |
| 57 | Rood 15 | Cyaan 15 | 000 ⇄ 255 | RGBW-modus: 0–100% / CMY-modus: 100–0% |
| 58 | Groen 15 | Magenta 15 | 000 ⇄ 255 | RGBW-modus: 0–100% / CMY-modus: 100–0% |
| 59 | Blaauw 15 | Geel 15 | 000 ⇄ 255 | RGBW-modus: 0–100% / CMY-modus: 100–0% |
| 60 | Wit 15 | | 000 ⇄ 255 | RGBW-modus: 0–100% / CMY-modus: 100–0% |
| 61 | Rood 16 | Cyaan 16 | 000 ⇄ 255 | RGBW-modus: 0–100% / CMY-modus: 100–0% |
| 62 | Groen 16 | Magenta 16 | 000 ⇄ 255 | RGBW-modus: 0–100% / CMY-modus: 100–0% |
| 63 | Blaauw 16 | Geel 16 | 000 ⇄ 255 | RGBW-modus: 0–100% / CMY-modus: 100–0% |
| 64 | Wit 16 | | 000 ⇄ 255 | RGBW-modus: 0–100% / CMY-modus: 100–0% |

Dual Control Pixels: Basic-modus (48CH)

| Kanaal | Functie | | Waarde | Percentage/Instelling |
|--------|----------|------------|-----------|--|
| 1 | Rood 1 | Cyaan 1 | 000 ⇔ 255 | RGBW-modus: 0-100% / CMY-modus: 100-0% |
| 2 | Groen 1 | Magenta 1 | 000 ⇔ 255 | RGBW-modus: 0-100% / CMY-modus: 100-0% |
| 3 | Blauw 1 | Geel 1 | 000 ⇔ 255 | RGBW-modus: 0-100% / CMY-modus: 100-0% |
| 4 | Rood 2 | Cyaan 2 | 000 ⇔ 255 | RGBW-modus: 0-100% / CMY-modus: 100-0% |
| 5 | Groen 2 | Magenta 2 | 000 ⇔ 255 | RGBW-modus: 0-100% / CMY-modus: 100-0% |
| 6 | Blauw 2 | Geel 2 | 000 ⇔ 255 | RGBW-modus: 0-100% / CMY-modus: 100-0% |
| 7 | Rood 3 | Cyaan 3 | 000 ⇔ 255 | RGBW-modus: 0-100% / CMY-modus: 100-0% |
| 8 | Groen 3 | Magenta 3 | 000 ⇔ 255 | RGBW-modus: 0-100% / CMY-modus: 100-0% |
| 9 | Blauw 3 | Geel 3 | 000 ⇔ 255 | RGBW-modus: 0-100% / CMY-modus: 100-0% |
| 10 | Rood 4 | Cyaan 4 | 000 ⇔ 255 | RGBW-modus: 0-100% / CMY-modus: 100-0% |
| 11 | Groen 4 | Magenta 4 | 000 ⇔ 255 | RGBW-modus: 0-100% / CMY-modus: 100-0% |
| 12 | Blauw 4 | Geel 4 | 000 ⇔ 255 | RGBW-modus: 0-100% / CMY-modus: 100-0% |
| 13 | Rood 5 | Cyaan 5 | 000 ⇔ 255 | RGBW-modus: 0-100% / CMY-modus: 100-0% |
| 14 | Groen 5 | Magenta 5 | 000 ⇔ 255 | RGBW-modus: 0-100% / CMY-modus: 100-0% |
| 15 | Blauw 5 | Geel 5 | 000 ⇔ 255 | RGBW-modus: 0-100% / CMY-modus: 100-0% |
| 16 | Rood 6 | Cyaan 6 | 000 ⇔ 255 | RGBW-modus: 0-100% / CMY-modus: 100-0% |
| 17 | Groen 6 | Magenta 6 | 000 ⇔ 255 | RGBW-modus: 0-100% / CMY-modus: 100-0% |
| 18 | Blauw 6 | Geel 6 | 000 ⇔ 255 | RGBW-modus: 0-100% / CMY-modus: 100-0% |
| 19 | Rood 7 | Cyaan 7 | 000 ⇔ 255 | RGBW-modus: 0-100% / CMY-modus: 100-0% |
| 20 | Groen 7 | Magenta 7 | 000 ⇔ 255 | RGBW-modus: 0-100% / CMY-modus: 100-0% |
| 21 | Blauw 7 | Geel 7 | 000 ⇔ 255 | RGBW-modus: 0-100% / CMY-modus: 100-0% |
| 22 | Rood 8 | Cyaan 8 | 000 ⇔ 255 | RGBW-modus: 0-100% / CMY-modus: 100-0% |
| 23 | Groen 8 | Magenta 8 | 000 ⇔ 255 | RGBW-modus: 0-100% / CMY-modus: 100-0% |
| 24 | Blauw 8 | Geel 8 | 000 ⇔ 255 | RGBW-modus: 0-100% / CMY-modus: 100-0% |
| 25 | Rood 9 | Cyaan 9 | 000 ⇔ 255 | RGBW-modus: 0-100% / CMY-modus: 100-0% |
| 26 | Groen 9 | Magenta 9 | 000 ⇔ 255 | RGBW-modus: 0-100% / CMY-modus: 100-0% |
| 27 | Blauw 9 | Geel 9 | 000 ⇔ 255 | RGBW-modus: 0-100% / CMY-modus: 100-0% |
| 28 | Rood 10 | Cyaan 10 | 000 ⇔ 255 | RGBW-modus: 0-100% / CMY-modus: 100-0% |
| 29 | Groen 10 | Magenta 10 | 000 ⇔ 255 | RGBW-modus: 0-100% / CMY-modus: 100-0% |
| 30 | Blauw 10 | Geel 10 | 000 ⇔ 255 | RGBW-modus: 0-100% / CMY-modus: 100-0% |
| 31 | Rood 11 | Cyaan 11 | 000 ⇔ 255 | RGBW-modus: 0-100% / CMY-modus: 100-0% |
| 32 | Groen 11 | Magenta 11 | 000 ⇔ 255 | RGBW-modus: 0-100% / CMY-modus: 100-0% |
| 33 | Blauw 11 | Geel 11 | 000 ⇔ 255 | RGBW-modus: 0-100% / CMY-modus: 100-0% |
| 34 | Rood 12 | Cyaan 12 | 000 ⇔ 255 | RGBW-modus: 0-100% / CMY-modus: 100-0% |
| 35 | Groen 12 | Magenta 12 | 000 ⇔ 255 | RGBW-modus: 0-100% / CMY-modus: 100-0% |
| 36 | Blauw 12 | Geel 12 | 000 ⇔ 255 | RGBW-modus: 0-100% / CMY-modus: 100-0% |
| 37 | Rood 13 | Cyaan 13 | 000 ⇔ 255 | RGBW-modus: 0-100% / CMY-modus: 100-0% |
| 38 | Groen 13 | Magenta 13 | 000 ⇔ 255 | RGBW-modus: 0-100% / CMY-modus: 100-0% |
| 39 | Blauw 13 | Geel 13 | 000 ⇔ 255 | RGBW-modus: 0-100% / CMY-modus: 100-0% |
| 40 | Rood 14 | Cyaan 14 | 000 ⇔ 255 | RGBW-modus: 0-100% / CMY-modus: 100-0% |
| 41 | Groen 14 | Magenta 14 | 000 ⇔ 255 | RGBW-modus: 0-100% / CMY-modus: 100-0% |
| 42 | Blauw 14 | Geel 14 | 000 ⇔ 255 | RGBW-modus: 0-100% / CMY-modus: 100-0% |
| 43 | Rood 15 | Cyaan 15 | 000 ⇔ 255 | RGBW-modus: 0-100% / CMY-modus: 100-0% |
| 44 | Groen 15 | Magenta 15 | 000 ⇔ 255 | RGBW-modus: 0-100% / CMY-modus: 100-0% |
| 45 | Blauw 15 | Geel 15 | 000 ⇔ 255 | RGBW-modus: 0-100% / CMY-modus: 100-0% |
| 46 | Rood 16 | Cyaan 16 | 000 ⇔ 255 | RGBW-modus: 0-100% / CMY-modus: 100-0% |
| 47 | Groen 16 | Magenta 16 | 000 ⇔ 255 | RGBW-modus: 0-100% / CMY-modus: 100-0% |
| 48 | Blauw 16 | Geel 16 | 000 ⇔ 255 | RGBW-modus: 0-100% / CMY-modus: 100-0% |

Kleurenkaart

| Waarde | Percentage/Instelling | | | | |
|------------------|-------------------------------------|-----------|-----------|-----------|---------|
| 000 | Geen functie | | | | |
| 001 ⇄ 002 | Wit 2700K | R = 156 | G = 118 | B = 0 | W = 63 |
| 003 ⇄ 004 | Wit 3200K | R = 156 | G = 141 | B = 5 | W = 89 |
| 005 ⇄ 006 | Wit 4200K | R = 156 | G = 141 | B = 14 | W = 255 |
| 007 ⇄ 008 | Wit 5600K | R = 156 | G = 207 | B = 54 | W = 255 |
| 009 ⇄ 010 | Wit 8000K | R = 130 | G = 255 | B = 96 | W = 255 |
| 011 | Blauw | R = 0 | G = 0 | B = 255 | W = 0 |
| 012 ⇄ 048 | + groen | R = 0 | G = 0–255 | B = 255 | W = 0 |
| 049 | Cyaan | R = 0 | G = 255 | B = 255 | W = 0 |
| 050 ⇄ 086 | - blauw | R = 0 | G = 255 | B = 255–0 | W = 0 |
| 087 | Groen | R = 0 | G = 255 | B = 0 | W = 0 |
| 088 ⇄ 124 | + rood | R = 0–255 | G = 255 | B = 0 | W = 0 |
| 125 | Geel | R = 255 | G = 255 | B = 0 | W = 0 |
| 126 ⇄ 162 | - groen | R = 255 | G = 255–0 | B = 0 | W = 0 |
| 163 | Rood | R = 255 | G = 0 | B = 0 | W = 0 |
| 164 ⇄ 200 | + blauw | R = 255 | G = 0 | B = 0–255 | W = 0 |
| 201 | Magenta | R = 255 | G = 0 | B = 255 | W = 0 |
| 202 ⇄ 238 | - rood | R = 255–0 | G = 0 | B = 255 | W = 0 |
| 239 | Blauw | R = 0 | G = 0 | B = 255 | W = 0 |
| 240 ⇄ 247 | Kleurverandering, snel tot langzaam | | | | |
| 248 ⇄ 255 | Kleursprong, snel tot langzaam | | | | |

Stroboscoop instellingen

| Waarde | Percentage/Instelling | Waarde | Percentage/Instelling |
|------------------|---|-----------|---|
| 000 ⇄ 019 | Uit | 145 ⇄ 149 | Aan |
| 020 ⇄ 024 | Aan | 150 ⇄ 164 | Willekeurigestroboscoop 0–100%, snel tot langzaam |
| 025 ⇄ 064 | Stroboscoop, snel tot langzaam | 165 ⇄ 169 | Aan |
| 065 ⇄ 069 | Aan | 170 ⇄ 184 | Pulsstroboscoop, snel tot langzaam |
| 070 ⇄ 084 | Stroboscoop 100–0%, snel tot langzaam | 185 ⇄ 189 | Aan |
| 085 ⇄ 089 | Aan | 190 ⇄ 204 | Willekeurige puls stroboscoop, snel tot langzaam |
| 090 ⇄ 104 | Stroboscoop 0–100%, snel tot langzaam | 205 ⇄ 209 | Aan |
| 105 ⇄ 109 | Aan | 210 ⇄ 224 | Stroboscoop 0–100–0%, snel tot langzaam |
| 110 ⇄ 124 | Willekeurigestroboscoop, snel tot langzaam | 225 ⇄ 229 | Aan |
| 125 ⇄ 129 | Aan | 230 ⇄ 244 | Willekeurige puls stroboscoop, snel tot langzaam |
| 130 ⇄ 144 | Willekeurigestroboscoop 100–0%, snel tot langzaam | 245 ⇄ 255 | Aan |

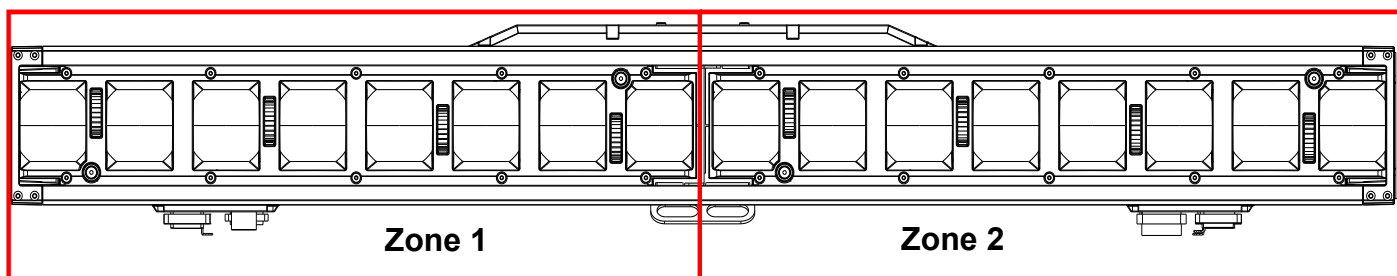
Bedieningsinstellingen

| Waarde | Percentage/Instelling | Waarde | Percentage/Instelling |
|------------------|--------------------------------------|------------------|--------------------------------------|
| 000 ⇄ 009 | Geen functie | 095 ⇄ 099 | Gereserveerd voor toekomstig gebruik |
| 010 ⇄ 014 | Kantelverduistering | 100 ⇄ 104 | Achteruit kantelen uitschakelen |
| 015 ⇄ 019 | Gereserveerd voor toekomstig gebruik | 105 ⇄ 119 | Gereserveerd voor toekomstig gebruik |
| 020 ⇄ 024 | RGBW-kleurenmengmodus (additief) | 120 ⇄ 124 | Ventilatormodus ECO |
| 025 ⇄ 029 | CMY-kleurenmengmodus (subtractief) | 125 ⇄ 129 | Ventilatormodus volledig |
| 030 ⇄ 039 | Gereserveerd voor toekomstig gebruik | 130 ⇄ 134 | Ventilatormodus auto |
| 040 ⇄ 044 | Ontdooiventilator aan | 135 ⇄ 139 | Dimmodus snel |
| 045 ⇄ 049 | Ontdooiventilator uit | 140 ⇄ 144 | Dimmodus langzaam |
| 050 ⇄ 054 | Gereserveerd voor toekomstig gebruik | 145 ⇄ 149 | Linear |
| 055 ⇄ 059 | Kantel-reset | 150 ⇄ 154 | Square |
| 060 ⇄ 064 | Zoom-reset | 155 ⇄ 159 | i Squa |
| 065 ⇄ 069 | Gereserveerd voor toekomstig gebruik | 160 ⇄ 164 | SCurve |
| 070 ⇄ 074 | Alles-reset | 165 ⇄ 169 | Witte modus |
| 075 ⇄ 089 | Gereserveerd voor toekomstig gebruik | 170 ⇄ 174 | Volledige modus |
| 090 ⇄ 094 | Achteruit kantelen | 175 ⇄ 255 | Gereserveerd voor toekomstig gebruik |

LED Macro

| Waarde | Percentage/Instelling | Waarde | Percentage/Instelling |
|------------------|---|------------------|---|
| 000 ⇔ 015 | Geen functie | 136 ⇔ 137 | Automatische kleurenmacro 38 |
| 016 ⇔ 017 | Kleur bestuurbare macro 1 | 138 ⇔ 139 | Automatische kleurenmacro 39 |
| 018 ⇔ 019 | Kleur bestuurbare macro 2 | 140 ⇔ 141 | Automatische kleurenmacro 40 |
| 020 ⇔ 021 | Kleur bestuurbare macro 3 | 142 ⇔ 143 | Automatische kleurenmacro 41 |
| 022 ⇔ 023 | Kleur bestuurbare macro 4 | 144 ⇔ 145 | Automatische kleurenmacro 42 |
| 024 ⇔ 025 | Kleur bestuurbare macro 5 | 146 ⇔ 147 | Automatische kleurenmacro 43 |
| 026 ⇔ 027 | Kleur bestuurbare macro 6 | 148 ⇔ 149 | Automatische kleurenmacro 44 |
| 028 ⇔ 029 | Kleur bestuurbare macro 7 | 150 ⇔ 151 | Automatische kleurenmacro 45 |
| 030 ⇔ 031 | Kleur bestuurbare macro 8 | 152 ⇔ 153 | Automatische kleurenmacro 46 |
| 032 ⇔ 033 | Kleur bestuurbare macro 9 | 154 ⇔ 155 | Automatische kleurenmacro 47 |
| 034 ⇔ 035 | Kleur bestuurbare macro 10 | 156 ⇔ 157 | Automatische kleurenmacro 48 |
| 036 ⇔ 037 | Kleur bestuurbare macro 11 | 158 ⇔ 159 | Automatische kleurenmacro 49 |
| 038 ⇔ 039 | Kleur bestuurbare macro 12 | 160 ⇔ 161 | Automatische kleurenmacro 50 |
| 040 ⇔ 041 | Kleur bestuurbare macro 13 | 162 ⇔ 163 | Automatische kleurenmacro 51 |
| 042 ⇔ 043 | Kleur bestuurbare macro 14 | 164 ⇔ 165 | Automatische kleurenmacro 52 |
| 044 ⇔ 045 | Kleur bestuurbare macro 15 | 166 ⇔ 167 | Automatische kleurenmacro 53 |
| 046 ⇔ 047 | Kleur bestuurbare macro 16 | 168 ⇔ 169 | Automatische kleurenmacro 54 |
| 048 ⇔ 049 | Kleur bestuurbare macro 17 | 170 ⇔ 171 | Automatische kleurenmacro 55 |
| 050 ⇔ 051 | Kleur bestuurbare macro 18 | 172 ⇔ 173 | Automatische kleurenmacro 56 |
| 052 ⇔ 053 | Kleur bestuurbare macro 19 | 174 ⇔ 175 | Automatische kleurenmacro 57 |
| 054 ⇔ 055 | Kleur bestuurbare macro 20 | 176 ⇔ 177 | Automatische kleurenmacro 58 |
| 056 ⇔ 057 | Kleur bestuurbare macro 21 | 178 ⇔ 179 | Automatische kleurenmacro 59 |
| 058 ⇔ 059 | Kleur bestuurbare macro 22 | 180 ⇔ 181 | Automatische kleurenmacro 60 |
| 060 ⇔ 061 | Kleur bestuurbare macro 23 | 182 ⇔ 183 | Automatische kleurenmacro 61 |
| 062 ⇔ 063 | Kleur bestuurbare macro 24 | 184 ⇔ 185 | Automatische kleurenmacro 62 |
| 064 ⇔ 065 | Kleur bestuurbare macro 25 | 186 ⇔ 187 | Automatische kleurenmacro 63 |
| 066 ⇔ 067 | Kleur bestuurbare macro 26 | 188 ⇔ 189 | Automatische kleurenmacro 64 |
| 068 ⇔ 069 | Kleur bestuurbare macro 27 | 190 ⇔ 191 | Automatische kleurenmacro 65 |
| 070 ⇔ 071 | Kleur bestuurbare macro 28 | 192 ⇔ 193 | Automatische kleurenmacro 66 |
| 072 ⇔ 073 | Kleur bestuurbare macro 29 | 194 ⇔ 195 | Automatische kleurenmacro 67 |
| 074 ⇔ 075 | Kleur bestuurbare macro 30 | 196 ⇔ 197 | Automatische kleurenmacro 68 |
| 076 ⇔ 077 | Kleur bestuurbare macro 31 | 198 ⇔ 199 | Automatische kleurenmacro 69 |
| 078 ⇔ 079 | Kleur bestuurbare macro 32 | 200 ⇔ 201 | Automatische kleurenmacro 70 |
| 080 ⇔ 081 | Kleur bestuurbare macro 33 | 202 ⇔ 203 | Automatische kleurenmacro 71 |
| 082 ⇔ 083 | Kleur bestuurbare macro 34 | 204 ⇔ 205 | Automatische kleurenmacro 72 |
| 084 ⇔ 085 | Kleur bestuurbare macro 35 | 206 ⇔ 207 | Automatische kleurenmacro 73 |
| 086 ⇔ 087 | Kleur bestuurbare macro 36 | 208 ⇔ 255 | Automatische kleurenmacro 74 (hoofdmacro) |
| 088 ⇔ 135 | Kleur bestuurbare macro 37 (hoofdmacro) | | |

Zoomzones



Contact Us

| General Information | Technical Support |
|--|--|
| Chauvet World Headquarters | |
| Address: 5200 NW 108th Ave. Sunrise, FL 33351 Voice: (954) 577-4455 Fax: (954) 929-5560 Toll Free: (800) 762-1084 | Voice: (844) 393-7575 Fax: (954) 756-8015 Email: chauvetcs@chauvetlighting.com Website: www.chauvetprofessional.com |
| Chauvet Europe Ltd. | |
| Address: Unit 1C Brookhill Road Industrial Estate Pinxton, Nottingham, UK NG16 6NT Voice: +44 (0) 1773 511115 Fax: +44 (0) 1773 511110 | Email: UKtech@chauvetlighting.eu Website: www.chauvetprofessional.eu |
| Chauvet Europe BVBA | |
| Address: Stokstraat 18 9770 Kruishoutem Belgium Voice: +32 9 388 93 97 | Email: BNLtech@chauvetlighting.eu Website: www.chauvetprofessional.eu |
| Chauvet France | |
| Address: 3, Rue Ampère 91380 Chilly-Mazarin France Voice: +33 1 78 85 33 59 | Email: FRtech@chauvetlighting.fr Website: www.chauvetprofessional.eu |
| Chauvet Germany | |
| Address: Bruno-Bürgel-Str. 11 28759 Bremen Germany Voice: +49 421 62 60 20 | Email: DEtech@chauvetlighting.de Website: www.chauvetprofessional.eu |
| Chauvet Mexico | |
| Address: Av. de las Partidas 34 - 3B (Entrance by Calle 2) Zona Industrial Lerma Lerma, Edo. de México, CP 52000 Voice: +52 (728) 690-2010 | Email: servicio@chauvet.com.mx Website: www.chauvetprofessional.mx |

Visit the applicable website above to verify our contact information and instructions to request support. Outside the U.S., U.K., Ireland, Mexico, France, Germany, or Benelux, contact the dealer of record.

