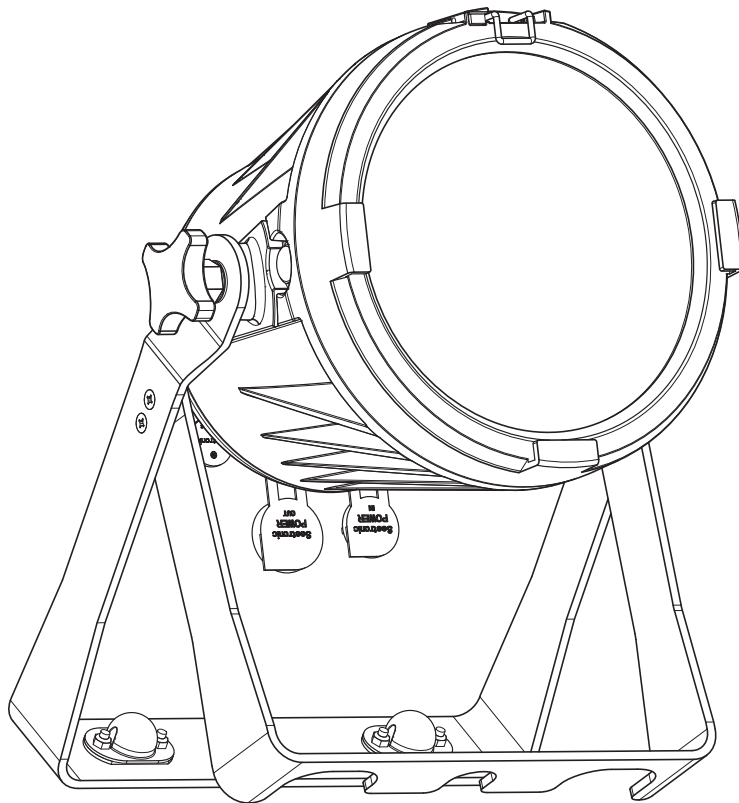


COLORADO 1QS

Quick Reference Guide

English	EN
Español	ES
Français	FR
Deutsch	DE
Nederlands	NL



About This Guide

The COLORado 1QS Quick Reference Guide (QRG) has basic product information such as connection, mounting, menu options, and DMX values. Download the User Manual from www.chauvetprofessional.com for more details.

Disclaimer

The information and specifications contained in this QRG are subject to change without notice.

LIMITED WARRANTY

FOR WARRANTY REGISTRATION AND COMPLETE TERMS AND CONDITIONS PLEASE VISIT OUR WEBSITE.

For Customers in the United States and Mexico: www.chauvetlighting.com/warranty-registration.

For Customers in the United Kingdom, Republic of Ireland, Belgium, the Netherlands, Luxembourg, France, and Germany: www.chauvetlighting.eu/warranty-registration.

Chauvet warrants that this product shall be free from defects in material and workmanship under normal use, for the period specified in, and subject to the exclusions and limitations set forth in the full limited warranty on our website. This warranty extends only to the original purchaser of the product and is not transferable. To exercise rights under this warranty, you must provide proof of purchase in the form of an original sales receipt from an authorized dealer that shows the product name and date of purchase. THERE ARE NO OTHER EXPRESS OR IMPLIED WARRANTIES. This warranty gives you specific legal rights. You may also have other rights that vary from state to state and country to country. This warranty is valid only in the United States, United Kingdom, Republic of Ireland, Belgium, the Netherlands, Luxembourg, France, Germany and Mexico. For warranty terms in other countries, please consult your local distributor.

Safety Notes

These Safety Notes include important information about installation, use, and maintenance.

- DO NOT open this product. It contains no user-serviceable parts.
- To eliminate unnecessary wear and improve its lifespan, during periods of non-use completely disconnect the product from power via breaker or by unplugging it.
- DO NOT look at the light source when the product is on.
- CAUTION: This product's housing may be hot when lights are operating.
- Mount this product in a location with adequate ventilation, at least 20 in (50 cm) from adjacent surfaces.
- DO NOT leave any flammable material within 50 cm of this product while operating or connected to power.
- CAUTION: When transferring product from extreme temperature environments, (e.g., cold truck to warm humid ballroom) condensation may form on the internal electronics of the product. To avoid causing a failure, allow product to fully acclimate to the surrounding environment before connecting it to power.
- Not for permanent outdoor installation in locations with extreme environmental conditions. This includes, but is not limited to:
 - Exposure to a marine/saline environment (within 3 miles of a saltwater body of water).
 - Where the normal high or low temperatures of the location exceed the temperature ranges in this manual.
 - Locations that are prone to flooding or being buried in snow.
 - Other areas where the product will be subject to extreme radiation or caustic substances.
- USE a safety cable when mounting this product overhead.
- DO NOT submerge this product (IP65). Regular outdoor operation is fine.
- DO NOT operate this product if the housing, lenses, or cables appear damaged.
- DO NOT connect this product to a dimmer or rheostat.
- ONLY connect this product to a grounded and protected circuit.
- ONLY use the hanging/mounting bracket to carry this product.
- In the event of a serious operating problem, stop using immediately.
- The maximum ambient temperature is 113 °F (45 °C). Do not operate this product at higher temperatures.
- The minimum startup temperature is -4°F (-20°C). Do not start the product at lower temperatures.
- The minimum ambient temperature is -22°F (-30°C). Do not operate the product at lower temperatures.

FCC Compliance

This device complies with Part 15 Part B of the FCC Rules. Operation is subject to the following two conditions:

1. This device may not cause harmful interference, and
2. This device must accept any interference received, including interference that may cause undesired operation.

Any changes or modifications not expressly approved by the party responsible for compliance could void the user's authority to operate the equipment.

Contact

Outside the U.S., United Kingdom, Ireland, Benelux, France, Germany, or Mexico, contact your distributor to request support or return a product. Refer to [Contact Us](#) at the end of this QRG for contact information.

What is Included

- COLORado 1QS
- Seetronic Powerkon IP65 power cord
- Gel Frame
- Omega Bracket
- Quick Reference Guide

AC Power

This product has an auto-ranging power supply that can work with an input voltage range of 100–240 VAC, 50/60 Hz.

Power Linking

You can link up to 21 COLORado 1QS products at 120 V, 34 products at 208 V, or 37 products at 230 V. Never exceed this number. Power linking cords can be purchased separately.

AC Plug

Connection	Wire (U.S.)	Wire (Europe)	Screw Color
AC Live	Black	Brown	Yellow/Brass
AC Neutral	White	Blue	Silver
AC Ground	Green/Yellow	Green/Yellow	Green



- To eliminate unnecessary wear and improve its lifespan, during periods of non-use completely disconnect the product from power via breaker or by unplugging it.
- When using this product in an outdoor IP65-type environment, be sure to use IP65 (or higher) rated power cables and secure unused ports with attached IP65 covers.

DMX Linking

The COLORado 1QS will work with a DMX controller using a 5-pin serial or hard-wired connection. A DMX Primer is available from www.chauvetprofessional.com.

DMX Connection

The COLORado 1QS uses a 5-pin DMX or hard-wired connection for its DMX personalities: **HSIC**, **SSP**, **TOUR**, **TR16**, and **STD.Y**. See the User Manual for information about connecting and configuring the product for DMX operation.

Master/Slave Connection

The COLORado 1QS uses the DMX data connection for its Master/Slave mode. See the User Manual for information about how to connect and configure the product for master/slave operation.

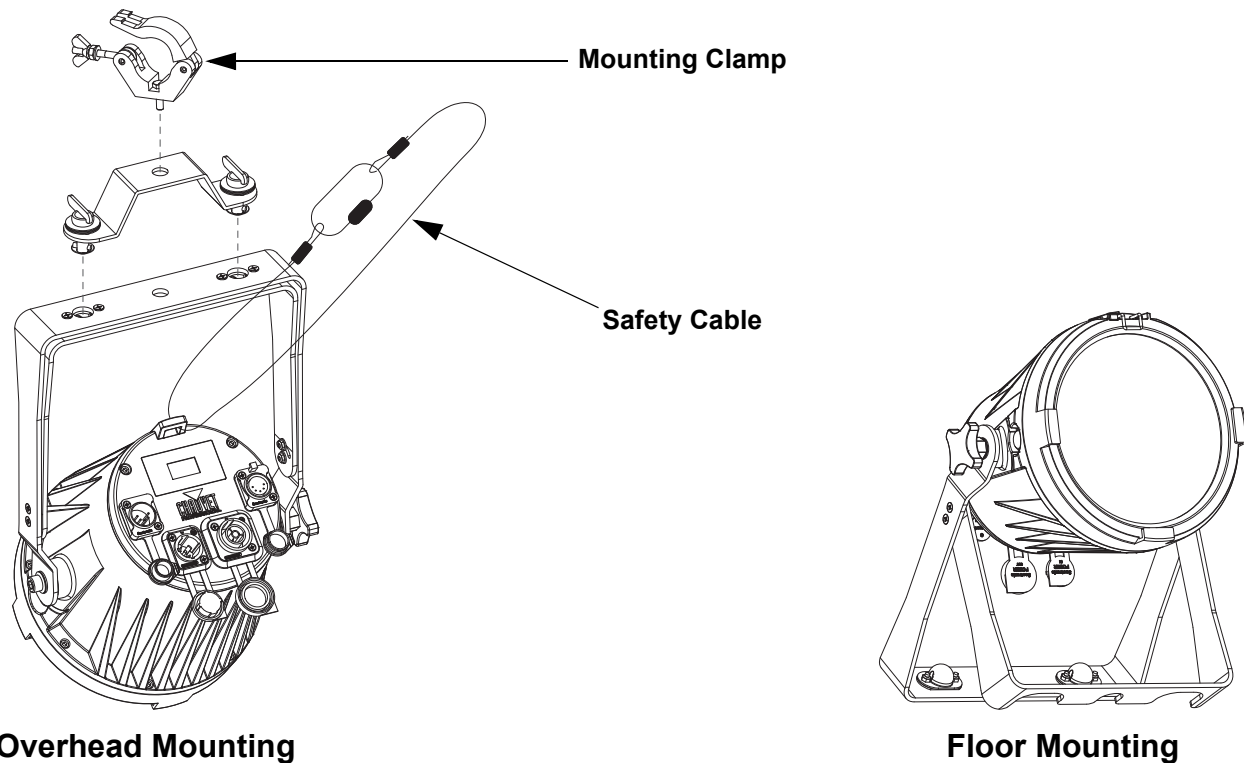
RDM (Remote Device Management)

Remote Device Management, or RDM, is a standard for allowing DMX-enabled devices to communicate bi-directionally along existing DMX cabling. Check the DMX controller's User Manual or with the manufacturer as not all DMX controllers have this capability. The COLORado 1QS supports RDM protocol that allows feedback to make changes to menu map options. Download the User Manual from www.chauvetprofessional.com for more details.

Mounting

Before mounting this product, read the [Safety Notes](#). Make sure the mounting clamps are capable of supporting the weight of the product. For our Chauvet line of mounting clamps, go to <http://trusst.com/productcategory/truss-clamps/>.

Mounting Diagram



Control Panel Description

Button	Function
<MENU>	Exits from the current menu or function
<ENTER>	Enables the currently displayed menu or sets the currently selected value into the selected function
<UP>	Navigates upwards through the menu list or increases the numeric value when in a function
<DOWN>	Navigates downwards through the menu list or decreases the numeric value when in a function

Passcode

After being prompted, enter the following passcode by pressing: <UP>, <DOWN>, <UP>, <DOWN>, <ENTER>. This passcode cannot be changed and must be used whenever prompted.

Menu Map

Main Level	Programming Levels				Description
STATIC	RED	RED	000–255	Combines red, green, blue, and white to make a custom color	
	GREEN	GREEN	000–255		
	BLUE	BLUE	000–255		
	WHITE	WHITE	000–255		
	STROBE	STROBE	0–25	Sets the strobe frequency (0–25 Hz)	
ADDRESS	1–506*			Selects DMX address (*highest channel restricted to personality chosen)	
AUTO PROGRAM	AUTO1–10	PROGRAM1–10	SPEED 0–255	Selects automatic programs and program speed	
RUN MODE	DMX			DMX mode (Master)	
	SLAVE			Slave mode	
PERSONALITY	HSIC			7-channel: dimmer, 16-bit hue, saturation, color temperature, strobe, dimmer speed	
	SSP			7-channel: dimmer, RGBW, strobe, dimmer speed	
	TOUR			10-channel: dimmer, RGBW, color macros, strobe, auto programs and speed, dimmer speed	
	TR16			15-channel: 16-bit dimmer, 16-bit RGBW, color macros, strobe, auto programs and speed, dimmer speed	
	STD.Y			15-channel: 16-bit dimmer, 16-bit RGBW, color macros, strobe, auto programs and speed, dimmer speed	
EDIT	PROGRAM 01–10	SCENE 01–30	RED	0–255	Combines red, green, blue, and white to make a custom color
			GREEN	0–255	
			BLUE	0–255	
			WHITE	0–255	
			STROBE	0–25	Sets the strobe frequency (0–25 Hz)
			TIME	0–255	Sets the step duration (short to long)
		FADE	0–255*	Sets the fade speed (slow to fast) (*range determined by TIME setting)	
SETTING	UPLOAD	**** (Enter Passcode)		SEND	Uploads custom programs to other COLORado 1QS products
	RESET	**** (Enter Passcode)			Resets the product to factory default settings
	DIMMER	OFF			Linear dimmer
		DIM1–4			Dimming speeds DIM1 (fast) to DIM4 (slow)
	DMX ERROR	SAVE			Continues last command upon loss of DMX
BLACK			Blacks out product upon loss of DMX		

Main Level	Programming Levels			Description		
SETTING (cont.)	PWM	600Hz	X FINE Y FINE	+/-200	Sets the PWM frequency	
		1200Hz				
		2000Hz				
		2400Hz				
		6000Hz				
		18000Hz				
		25000Hz				
	FULL POWER CCT	WARM WHITE			Sets the color temperature when LED output is 100%	
		NEUTRAL WHITE				
		COOL WHITE				
XY OFFSET	NORMAL			Manual color temperature		
	HIDE			Shows or hides XY settings in PWM menu options		
SHOW						
KEY	ON			Locks display (passcode is <UP>, <DOWN>, <UP>, <DOWN>, <ENTER>)		
	OFF					
CALIB.C	**** (Enter Passcode)	WHITE-01-13	X FINE Y FINE	+/-200	Modifies the preset color temperatures	
INFO	VERSION	V_._			Shows current firmware version	
	RDM	UID	-----			Shows product UID
		LABEL	COLORado 1 QS			Shows RDM label

QUICK REFERENCE GUIDE



EN

DMX Values

STD.Y (15 Channels)

Channel	Function	Value	Percent/Setting
1	Dimmer	000 ⇔ 255	0–100%
2	Fine dimmer (when Ch. 13 is 000 ⇔ 140)	000 ⇔ 255	Fine control (16-bit)
	Step Duration (when Ch. 13 is 141 ⇔ 255)	000 ⇔ 255	Custom program step duration, short to long
3	Red (when Ch. 13 is 000 ⇔ 140)	000 ⇔ 255	0–100%
	Fade Speed (when Ch. 13 is 141 ⇔ 255)	000 ⇔ 255	Custom program fade speed, slow to fast
4	Fine red	000 ⇔ 255	Fine control (16-bit)
5	Green	000 ⇔ 255	0–100%
6	Fine green	000 ⇔ 255	Fine control (16-bit)
7	Blue	000 ⇔ 255	0–100%
8	Fine blue	000 ⇔ 255	Fine control (16-bit)
9	White	000 ⇔ 255	0–100%
10	Fine white	000 ⇔ 255	Fine control (16-bit)
11	Color Macro	000 ⇔ 010	No function
		011 ⇔ 030	Red: 100% Green: 0–100% Blue: 0% White: 0%
		031 ⇔ 050	Red: 100–0% Green: 100% Blue: 0% White: 0%
		051 ⇔ 070	Red: 0% Green: 100% Blue: 0–100% White: 0%
		071 ⇔ 090	Red: 0% Green: 100–0% Blue: 100% White: 0%
		091 ⇔ 110	Red: 0–100% Green: 0% Blue: 100% White: 0%
		111 ⇔ 130	Red: 100% Green: 0% Blue: 100–0% White: 0%
		131 ⇔ 150	Red: 100% Green: 0–100% Blue: 0–100% White: 0%
		151 ⇔ 170	Red: 100–0% Green: 100–0% Blue: 100% White: 0%
		171 ⇔ 195	Red: 100% Green: 100% Blue: 100% White: 100%
		196 ⇔ 200	White 1
		201 ⇔ 205	White 2
		206 ⇔ 210	White 3
		211 ⇔ 215	White 4
		216 ⇔ 220	White 5
		221 ⇔ 225	White 6
		226 ⇔ 230	White 7
231 ⇔ 235	White 8		
236 ⇔ 240	White 9		
241 ⇔ 245	White 10		
246 ⇔ 250	White 11		
251 ⇔ 255	White 12		
12	Strobe	000 ⇔ 009	No function
		010 ⇔ 099	Strobe, slow to fast
		100 ⇔ 109	No function
		110 ⇔ 179	Lightning effect, slow to fast
		180 ⇔ 189	No function
		190 ⇔ 255	Random strobe, slow to fast

Channel	Function	Value	Percent/Setting
13	Automatic Programs	000 ⇔ 040	No function
		041 ⇔ 050	Automatic program 1
		051 ⇔ 060	Automatic program 2
		061 ⇔ 070	Automatic program 3
		071 ⇔ 080	Automatic program 4
		081 ⇔ 090	Automatic program 5
		091 ⇔ 100	Automatic program 6
		101 ⇔ 110	Automatic program 7
		111 ⇔ 120	Automatic program 8
		121 ⇔ 130	Automatic program 9
		131 ⇔ 140	Automatic program 10
		141 ⇔ 150	Custom automatic program 1
		151 ⇔ 160	Custom automatic program 2
		161 ⇔ 170	Custom automatic program 3
		171 ⇔ 180	Custom automatic program 4
		181 ⇔ 190	Custom automatic program 5
		191 ⇔ 200	Custom automatic program 6
		201 ⇔ 210	Custom automatic program 7
		211 ⇔ 220	Custom automatic program 8
		221 ⇔ 230	Custom automatic program 9
231 ⇔ 255	Custom automatic program 10		
14	Program Speed	000 ⇔ 255	Automatic program speed, slow to fast
15	Dimmer Speed	000 ⇔ 009	Preset dimmer speed from display menu
		010 ⇔ 029	Dimmer speed mode off
		030 ⇔ 069	Dimmer speed mode 1 (fastest)
		070 ⇔ 129	Dimmer speed mode 2
		130 ⇔ 189	Dimmer speed mode 3
		190 ⇔ 255	Dimmer speed mode 4 (slowest)

QUICK REFERENCE GUIDE



EN

TR16 (15 Channels)

Channel	Function	Value	Percent/Setting
1	Dimmer	000 ⇔ 255	0–100%
2	Fine dimmer (when Ch. 13 is 000 ⇔ 140)	000 ⇔ 255	Fine control (16-bit)
	Step Duration (when Ch. 13 is 141 ⇔ 255)	000 ⇔ 255	Custom program step duration, short to long
3	Red (when Ch. 13 is 000 ⇔ 140)	000 ⇔ 255	0–100%
	Fade Speed (when Ch. 13 is 141 ⇔ 255)	000 ⇔ 255	Custom program fade speed, slow to fast
4	Fine red	000 ⇔ 255	Fine control (16-bit)
5	Green	000 ⇔ 255	0–100%
6	Fine green	000 ⇔ 255	Fine control (16-bit)
7	Blue	000 ⇔ 255	0–100%
8	Fine blue	000 ⇔ 255	Fine control (16-bit)
9	White	000 ⇔ 255	0–100%
10	Fine white	000 ⇔ 255	Fine control (16-bit)
11	Color Macro	000 ⇔ 010	No function
		011 ⇔ 030	Red: 100% Green: 0–100% Blue: 0% White: 0%
		031 ⇔ 050	Red: 100–0% Green: 100% Blue: 0% White: 0%
		051 ⇔ 070	Red: 0% Green: 100% Blue: 0–100% White: 0%
		071 ⇔ 090	Red: 0% Green: 100–0% Blue: 100% White: 0%
		091 ⇔ 110	Red: 0–100% Green: 0% Blue: 100% White: 0%
		111 ⇔ 130	Red: 100% Green: 0% Blue: 100–0% White: 0%
		131 ⇔ 150	Red: 100% Green: 0–100% Blue: 0–100% White: 0%
		151 ⇔ 170	Red: 100–0% Green: 100–0% Blue: 100% White: 0%
		171 ⇔ 195	Red: 100% Green: 100% Blue: 100% White: 100%
		196 ⇔ 200	White 1
		201 ⇔ 205	White 2
		206 ⇔ 210	White 3
		211 ⇔ 215	White 4
		216 ⇔ 220	White 5
		221 ⇔ 225	White 6
		226 ⇔ 230	White 7
		231 ⇔ 235	White 8
236 ⇔ 240	White 9		
241 ⇔ 245	White 10		
246 ⇔ 250	White 11		
251 ⇔ 255	White 12		
12	Strobe	000 ⇔ 009	No function
		010 ⇔ 099	Strobe, slow to fast
		100 ⇔ 109	No function
		110 ⇔ 179	Lightning effect, slow to fast
		180 ⇔ 189	No function
		190 ⇔ 255	Random strobe, slow to fast

Channel	Function	Value	Percent/Setting
13	Automatic Programs	000 ⇔ 040	No function
		041 ⇔ 050	Automatic program 1
		051 ⇔ 060	Automatic program 2
		061 ⇔ 070	Automatic program 3
		071 ⇔ 080	Automatic program 4
		081 ⇔ 090	Automatic program 5
		091 ⇔ 100	Automatic program 6
		101 ⇔ 110	Automatic program 7
		111 ⇔ 120	Automatic program 8
		121 ⇔ 130	Automatic program 9
		131 ⇔ 140	Automatic program 10
		141 ⇔ 150	Custom automatic program 1
		151 ⇔ 160	Custom automatic program 2
		161 ⇔ 170	Custom automatic program 3
		171 ⇔ 180	Custom automatic program 4
		181 ⇔ 190	Custom automatic program 5
		191 ⇔ 200	Custom automatic program 6
		201 ⇔ 210	Custom automatic program 7
		211 ⇔ 220	Custom automatic program 8
		221 ⇔ 230	Custom automatic program 9
231 ⇔ 255	Custom automatic program 10		
14	Program Speed	000 ⇔ 255	Automatic program speed, slow to fast
15	Dimmer Speed	000 ⇔ 009	Preset dimmer speed from display menu
		010 ⇔ 029	Dimmer speed mode off
		030 ⇔ 069	Dimmer speed mode 1 (fastest)
		070 ⇔ 129	Dimmer speed mode 2
		130 ⇔ 189	Dimmer speed mode 3
		190 ⇔ 255	Dimmer speed mode 4 (slowest)

TOUR (10 Channels)

Channel	Function	Value	Percent/Setting
1	Dimmer	000 ⇔ 255	0–100%
2	Red (when Ch. 8 is 000 ⇔ 140)	000 ⇔ 255	0–100%
	Step Duration (when Ch. 8 is 141 ⇔ 255)	000 ⇔ 255	Custom program step duration, short to long
3	Green (when Ch. 8 is 000 ⇔ 140)	000 ⇔ 255	0–100%
	Fade Speed (when Ch. 8 is 141 ⇔ 255)	000 ⇔ 255	Custom program fade speed, slow to fast
4	Blue	000 ⇔ 255	0–100%
5	White	000 ⇔ 255	0–100%

QUICK REFERENCE GUIDE



EN

Channel	Function	Value	Percent/Setting
6	Color Macro	000 ⇔ 010	No function
		011 ⇔ 030	Red: 100% Green: 0–100% Blue: 0% White: 0%
		031 ⇔ 050	Red: 100–0% Green: 100% Blue: 0% White: 0%
		051 ⇔ 070	Red: 0% Green: 100% Blue: 0–100% White: 0%
		071 ⇔ 090	Red: 0% Green: 100–0% Blue: 100% White: 0%
		091 ⇔ 110	Red: 0–100% Green: 0% Blue: 100% White: 0%
		111 ⇔ 130	Red: 100% Green: 0% Blue: 100–0% White: 0%
		131 ⇔ 150	Red: 100% Green: 0–100% Blue: 0–100% White: 0%
		151 ⇔ 170	Red: 100–0% Green: 100–0% Blue: 100% White: 0%
		171 ⇔ 195	Red: 100% Green: 100% Blue: 100% White: 100%
		196 ⇔ 200	White 1
		201 ⇔ 205	White 2
		206 ⇔ 210	White 3
		211 ⇔ 215	White 4
		216 ⇔ 220	White 5
		221 ⇔ 225	White 6
		226 ⇔ 230	White 7
		231 ⇔ 235	White 8
		236 ⇔ 240	White 9
		241 ⇔ 245	White 10
246 ⇔ 250	White 11		
251 ⇔ 255	White 12		
7	Strobe	000 ⇔ 009	No function
		010 ⇔ 099	Strobe, slow to fast
		100 ⇔ 109	No function
		110 ⇔ 179	Lightning effect, slow to fast
		180 ⇔ 189	No function
		190 ⇔ 255	Random strobe, slow to fast
8	Automatic Programs	000 ⇔ 040	No function
		041 ⇔ 050	Automatic program 1
		051 ⇔ 060	Automatic program 2
		061 ⇔ 070	Automatic program 3
		071 ⇔ 080	Automatic program 4
		081 ⇔ 090	Automatic program 5
		091 ⇔ 100	Automatic program 6
		101 ⇔ 110	Automatic program 7
		111 ⇔ 120	Automatic program 8
		121 ⇔ 130	Automatic program 9
		131 ⇔ 140	Automatic program 10
		141 ⇔ 150	Custom automatic program 1
		151 ⇔ 160	Custom automatic program 2
		161 ⇔ 170	Custom automatic program 3
		171 ⇔ 180	Custom automatic program 4
		181 ⇔ 190	Custom automatic program 5
		191 ⇔ 200	Custom automatic program 6
		201 ⇔ 210	Custom automatic program 7
211 ⇔ 220	Custom automatic program 8		
221 ⇔ 230	Custom automatic program 9		
231 ⇔ 255	Custom automatic program 10		
9	Program Speed	000 ⇔ 255	Automatic program speed, slow to fast
10	Dimmer Speed	000 ⇔ 009	Preset dimmer speed from display menu
		010 ⇔ 029	Dimmer speed mode off
		030 ⇔ 069	Dimmer speed mode 1 (fastest)
		070 ⇔ 129	Dimmer speed mode 2
		130 ⇔ 189	Dimmer speed mode 3
		190 ⇔ 255	Dimmer speed mode 4 (slowest)

SSP (7 Channels)

Channel	Function	Value	Percent/Setting
1	Dimmer	000 ⇔ 255	0–100%
2	Red	000 ⇔ 255	0–100%
3	Green	000 ⇔ 255	0–100%
4	Blue	000 ⇔ 255	0–100%
5	White	000 ⇔ 255	0–100%
6	Strobe	000 ⇔ 009	No function
		010 ⇔ 099	Strobe, slow to fast
		100 ⇔ 109	No function
		110 ⇔ 179	Lightning effect, slow to fast
		180 ⇔ 189	No function
		190 ⇔ 255	Random strobe, slow to fast
7	Dimmer Speed	000 ⇔ 009	Preset dimmer speed from display menu
		010 ⇔ 029	Dimmer speed mode off
		030 ⇔ 069	Dimmer speed mode 1 (fastest)
		070 ⇔ 129	Dimmer speed mode 2
		130 ⇔ 189	Dimmer speed mode 3
		190 ⇔ 255	Dimmer speed mode 4 (slowest)

HSIC (7 Channels)

Channel	Function	Value	Percent/Setting
1	Dimmer	000 ⇔ 255	0–100%
2	Hue	000 ⇔ 255	0–100%
3	Fine hue	000 ⇔ 255	Fine control (16-bit)
4	Saturation	000 ⇔ 255	0–100%
5	Color Temperature	000 ⇔ 010	No function
		011 ⇔ 030	White 1
		031 ⇔ 050	White 2
		051 ⇔ 070	White 3
		071 ⇔ 090	White 4
		091 ⇔ 110	White 5
		111 ⇔ 130	White 6
		131 ⇔ 150	White 7
		151 ⇔ 170	White 8
		171 ⇔ 190	White 9
		191 ⇔ 210	White 10
		211 ⇔ 230	White 11
231 ⇔ 255	White 12		
6	Strobe	000 ⇔ 009	No function
		010 ⇔ 099	Strobe, slow to fast
		100 ⇔ 109	No function
		110 ⇔ 179	Lightning effect, slow to fast
		180 ⇔ 189	No function
		190 ⇔ 255	Random strobe, slow to fast
7	Dimmer Speed	000 ⇔ 009	Preset dimmer speed from display menu
		010 ⇔ 029	Dimmer speed mode off
		030 ⇔ 069	Dimmer speed mode 1 (fastest)
		070 ⇔ 129	Dimmer speed mode 2
		130 ⇔ 189	Dimmer speed mode 3
		190 ⇔ 255	Dimmer speed mode 4 (slowest)

Acerca de Esta Guía

La Guía de Referencia Rápida (GRR) del COLORado 1QS contiene información básica sobre el producto, como montaje, opciones de menú y valores DMX. Descargue el Manual de Usuario de www.chauvetprofessional.com para información más detallada.

Exención de Responsabilidad

La información y especificaciones contenidas en esta GRR están sujetas a cambio sin previo aviso.

GARANTÍA LIMITADA

PARA VER EL REGISTRO DE GARANTÍA Y LOS TÉRMINOS Y CONDICIONES COMPLETOS, VISITE NUESTRO SITIO WEB.

Para clientes en los Estados Unidos y México: www.chauvetlighting.com/warranty-registration.

Para clientes en Reino Unido, República de Irlanda, Bélgica, Países Bajos, Luxemburgo, Francia y Alemania: www.chauvetlighting.eu/warranty-registration.

Chauvet garantiza que este producto estará libre de defectos de material y mano de obra en condiciones de uso normales, durante el periodo especificado, sujeto siempre a las exclusiones y limitaciones establecidas en la garantía limitada completa de nuestro sitio web. Esta garantía se concede únicamente al comprador original del producto y no es transferible. Para ejercer los derechos que otorga esta garantía, usted debe proporcionar una prueba de compra en forma de un recibo de compra original, expedido por un distribuidor autorizado, donde figure el nombre del producto y la fecha de compra. **NO EXISTEN OTRAS GARANTÍAS EXPRESAS NI IMPLÍCITAS.** Esta garantía le otorga derechos legales específicos. Es posible que a usted le asistan otros derechos, que variarán dependiendo del estado o del país. Esta garantía solamente es válida en los Estados Unidos, Reino Unido, República de Irlanda, Bélgica, Países Bajos, Luxemburgo, Francia, Alemania y México. Para conocer los términos de garantía en otros países, consulte a su distribuidor local.

Notas de Seguridad

- NO abra este producto. No contiene piezas reparables por el usuario.
- Para evitar un desgaste innecesario y alargar su vida útil, desconecte complementemente el producto de la alimentación, mediante el interruptor o desenchufándolo, durante los periodos en los que no se use.
- NO mire a la fuente de luz cuando el producto esté encendido.
- CUIDADO: La carcasa de este producto está caliente cuando las luces están en funcionamiento.
- Monte este producto en una ubicación con ventilación adecuada, al menos a 20" (50 cm) de superficies adyacentes.
- NO deje ningún material inflamable a menos de 50 cm de este producto mientras esté funcionando o conectado a la alimentación.
- Cuidado: cuando transfiera el producto desde ambientes con temperatura extrema (p. ej., del remolque frío de un camión a una sala de baile con calor y humedad), puede formarse condensación en la electrónica interna del producto. Para evitar que se produzca una avería, deje que el producto se aclimate completamente al ambiente antes de conectar la alimentación.
- No apto para la instalación permanente en exteriores en lugares con condiciones ambientales extremas. Estas incluyen, sin limitarse a ellas:
 - Exposición a un ambiente marino/salino (a menos de 4,8 km de una masa de agua salada).
 - Cuando las temperaturas máxima o mínima habituales del lugar superan los rangos de temperatura en este manual.
 - Lugares proclives a inundaciones o a ser sepultados por la nieve.
 - Otras zonas en las que el producto esté expuesto a radiación extrema o sustancias cáusticas.
- USE un cable de seguridad cuando monte este producto en lo alto.
- NO sumerja este producto (IP65). La operación normal en exteriores es correcta.
- NO ponga en funcionamiento este producto si sospecha que la carcasa, lentes o cables están dañados.
- NO conecte este producto a un atenuador o reostato.
- Conecte este producto SOLO a un circuito con toma de tierra y protegido.
- Use SOLAMENTE los soportes de colgar/montar para mover este producto.
- En caso de un problema grave de funcionamiento, deje de usarlo inmediatamente.
- La máxima temperatura ambiente es de 113 °F (45 °C). No haga funcionar este producto a temperaturas más altas.
- La temperatura de inicio máxima es de -4 °F (-20 °C). No ponga en funcionamiento el producto a temperaturas más bajas.
- La temperatura ambiente mínima es de -22 °F (-30 °C). No haga funcionar el producto a temperaturas más bajas.

Cumplimiento de la FCC

Este dispositivo cumple la parte 15, parte B de las normas FCC. El funcionamiento está supeditado al cumplimiento de estas dos condiciones:

1. Este dispositivo no puede causar interferencias perjudiciales; y
2. Este dispositivo debe aceptar cualquier interferencia recibida, incluyendo las interferencias que puedan causar un funcionamiento no deseado.

Cualquier cambio o modificación que no haya sido expresamente autorizado por la parte responsable de conformidad puede anular la potestad del usuario para hacer funcionar el equipo.

Contacto

Fuera de EE. UU., Reino Unido, Irlanda, Benelux, Francia, Alemania o México póngase en contacto con su distribuidor para solicitar asistencia o devolver un producto. Consulte [Contact Us](#) al final de este GRR para información de contacto.

Qué va Incluido

- COLORado 1QS
- Cable de alimentación Seetronic Powerkon IP65
- Marco de gel
- Soporte Omega
- Guía de Referencia Rápida

Corriente Alterna

Este producto tiene una fuente de alimentación con detección automática que puede funcionar con un rango de tensión de entrada de 100 a 240 VCA, 50/60 Hz.

Alimentación en Cadena

Puede enlazar hasta 21 productos COLORado 1QS a 120 V, 34 productos a 208 V o 37 productos a 230 V. Los cables de alimentación en cadena se pueden adquirir por separado.

Enchufe CA

Conexión	Cable (EE.UU.)	Cable (Europa)	Color del tornillo
CA Cargado	Negro	Marrón	Amarillo/Latón
CA Neutro	Blanco	Azul	Plata
CA Tierra	Verde/Amarillo	Verde/Amarillo	Verde



- Para evitar un desgaste innecesario y alargar su vida útil, desconecte complemente el producto de la alimentación, mediante el interruptor o desenchufándolo, durante los periodos en los que no se use.
- Cuando utilice este producto en exteriores, use cables de datos y alimentación con protección IP65 (o superior). Asegúrese de proteger los puertos de datos y alimentación que no se usen colocando tapas IP65.

Enlace DMX

El COLORado 1QS funcionará con un controlador DMX usando una conexión serie DMX de 5 pines. Hay un Manual DMX disponible en www.chauvetprofessional.com.

Conexión DMX

El COLORado 1QS usa una conexión de datos DMX de 5 pines para sus personalidades DMX: **HSIC**, **SSP**, **TOUR**, **TR16** y **STD.Y**. Vea el Manual de usuario para conectar y configurar para funcionamiento DMX

Conexión Maestro/Esclavo

El COLORado 1QS usa la conexión de datos DMX para su modo Maestro/Esclavo. Vea el Manual de Usuario para conectar y configurar para funcionamiento Maestro/Esclavo.

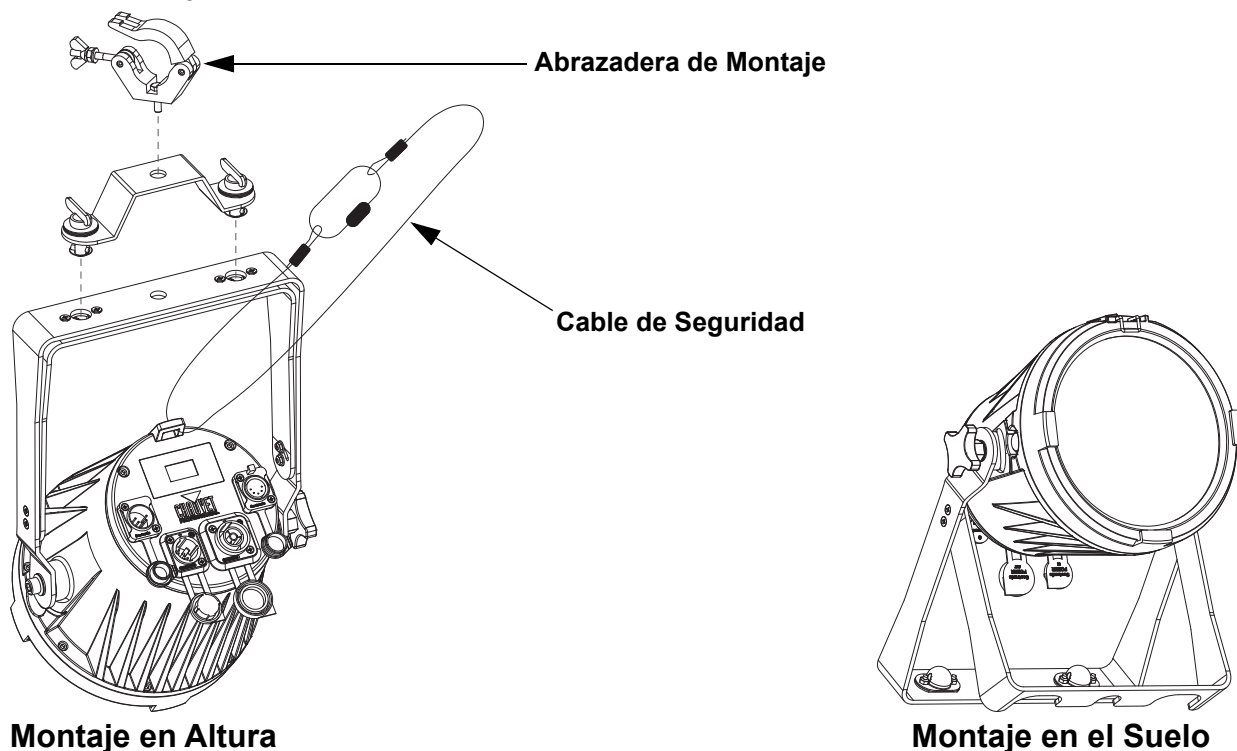
RDM (gestión remota del dispositivo)

Remote Device Management (gestión remota del dispositivo) o RDM, es un estándar que permite a los dispositivos con capacidad DMX una comunicación bidireccional por un cableado DMX existente. El COLORado 1QS admite protocolo RDM, que posibilita información para supervisar cambiar las opciones del mapa de menú. Descargue el manual de usuario de www.chauvetprofessional.com para una información más detallada.

Montaje

Antes de montar este producto, lea las [Notas de Seguridad](#). Asegúrese de que las abrazaderas de montaje son capaces de soportar el peso del producto. Para nuestra línea Chauvet de abrazaderas de montaje, visite <http://trusst.com/productcategory/truss-clamps/>.

Diagrama de Montaje del Producto



Descripción del Panel de Control

Botón	Función
<MENU>	Sale del menú o función actual
<ENTER>	Habilita el menú actualmente en pantalla o configura el valor seleccionado actualmente dentro de la función seleccionada
<UP>	Navega hacia arriba por la lista de menú o aumenta el valor numérico cuando está en una función
<DOWN>	Navega hacia abajo por la lista de menú o disminuye el valor numérico cuando está en una función

Código de acceso

Después de que se le solicite, introduzca el siguiente código de acceso pulsando: <UP>, <DOWN>, <UP>, <DOWN>, <ENTER>. Este código no se puede cambiar y se debe usar cuando se le solicite.

Mapa de Menú

Nivel Principal	Niveles de Programación			Descripción	
STATIC	RED	RED	000-255	Combina rojo, verde, azul y blanco para generar un color personalizado	
	GREEN	GREEN	000-255		
	BLUE	BLUE	000-255		
	WHITE	WHITE	000-255		
	STROBE	STROBE	0-25	Establece la frecuencia del estroboscopio	
ADDRESS	1-506*			Selecciona la dirección de inicio (*canal más alto restringido a la elección de personalidad)	
AUTO PROGRAM	AUTO1-10	SPEED 0-255		Selecciona programas automáticos y velocidad de programas	
	PROGRAM1-10				
RUN MODE	DMX			Modo DMX (maestro)	
	SLAVE			Modo esclavo	
PERSONALITY	HSIC			7-canales: atenuador, tono 16 bits, saturación, temperatura de color, estroboscopio, velocidad del atenuador	
	SSP			7-canales: atenuador, RGBW, estroboscopio, velocidad del atenuador	
	TOUR			10-canales: atenuador, RGBW, macros de color, estroboscopio, programas automáticos y velocidad, velocidad del atenuador	
	TR16			15-canales: atenuador 16 bits, RGBW 16 bits, macros de color, estroboscopio, auto programas automáticos y velocidad, velocidad del atenuador	
	STD.Y			15-canales: atenuador 16 bits, RGBW 16 bits, macros de color, estroboscopio, auto programas automáticos y velocidad, velocidad del atenuador	
EDIT	PROGRAM 01-10	SCENE 01-30	RED	0-255	Combina rojo, verde, azul y blanco para generar un color personalizado
			GREEN	0-255	
			BLUE	0-255	
			WHITE	0-255	
			STROBE	0-25	Establece la frecuencia del estroboscopio
			TIME	0-255	Establece la duración del paso (corto a largo)
			FADE	0-255*	Establece la velocidad del fade (lento a rápido) (*rango determinado por la configuración de TIME)

Nivel Principal	Niveles de Programación				Descripción	
SETTING	UPLOAD	**** (Enter Passcode)		SEND	Carga programas personalizados a otros productos COLORado 1QS	
	RESET	**** (Enter Passcode)			Reinicia a la configuración de fábrica	
	DIMMER	OFF				Atenuador lineal
		DIM1-4				Curvas de atenuador DIM1 (rápido) a DIM4 (lento)
	DMX ERROR	SAVE				Continúa con el último comando tras la pérdida de control DMX
		BLACK				Oscuro el dispositivo tras la pérdida de señal DMX
	PWM	600Hz	X FINE Y FINE	+/-200		Selecciona la frecuencia de emisión PWM
		1200Hz				
		2000Hz				
		2400Hz				
		6000Hz				
		18000Hz 25000Hz				
	FULL POWER CCT	WARM WHITE				Establece la temperatura de color cuando la salida del LED es 100%
NEUTRAL WHITE						
COOL WHITE				Temperatura de color manual		
NORMAL						
XY OFFSET	HIDE				Muestra o oculta la configuración XY en la opción de menú PWM	
	SHOW					
KEY	ON				Bloquea la pantalla (la contraseña es <UP>, <DOWN>, <UP>, <DOWN>, <ENTER>)	
	OFF					
CALIB.C	**** (Enter Passcode)	WHITE-01-13	X FINE Y FINE	+/-200	Modifica las temperaturas de color preestablecido	
INFO	VERSION	V_ _			Muestra instalada la versión de firmware	
	RDM	UID	-----		Muestra el UID # del producto	
		LABEL	COLORado 1 QS			Muestra el nombre del producto para RDM

Valores DMX
STD.Y (15 canales)

Canal	Función	Valor	Porcentaje/Configuración
1	Atenuador	000 ⇔ 255	0-100%
2	Atenuador fino (cuando el C 13 está 000 ⇔ 140)	000 ⇔ 255	Control fino (16 bits)
	Duración del paso (cuando el C 13 está 141 ⇔ 255)	000 ⇔ 255	Duración del paso del programa personalizada, corto a largo
3	Rojo (cuando el C 13 está 000 ⇔ 140)	000 ⇔ 255	0-100%
	Velocidad del fade (cuando el C 13 está 141 ⇔ 255)	000 ⇔ 255	Velocidad del fade del programa personalizada, lento a rápido
4	Rojo fino	000 ⇔ 255	Control fino (16 bits)
5	Verde	000 ⇔ 255	0-100%
6	Verde fino	000 ⇔ 255	Control fino (16 bits)
7	Azul	000 ⇔ 255	0-100%
8	Azul fino	000 ⇔ 255	Control fino (16 bits)
9	Blanco	000 ⇔ 255	0-100%
10	Blanco fino	000 ⇔ 255	Control fino (16 bits)

Canal	Función	Valor	Porcentaje/Configuración
11	Macro de color	000 ⇔ 010	Sin función
		011 ⇔ 030	Rojo: 100% Verde: 0–100% Azul: 0% Blanco: 0%
		031 ⇔ 050	Rojo: 100–0% Verde: 100% Azul: 0% Blanco: 0%
		051 ⇔ 070	Rojo: 0% Verde: 100% Azul: 0–100% Blanco: 0%
		071 ⇔ 090	Rojo: 0% Verde: 100–0% Azul: 100% Blanco: 0%
		091 ⇔ 110	Rojo: 0–100% Verde: 0% Azul: 100% Blanco: 0%
		111 ⇔ 130	Rojo: 100% Verde: 0% Azul: 100–0% Blanco: 0%
		131 ⇔ 150	Rojo: 100% Verde: 0–100% Azul: 0–100% Blanco: 0%
		151 ⇔ 170	Rojo: 100–0% Verde: 100–0% Azul: 100% Blanco: 0%
		171 ⇔ 195	Rojo: 100% Verde: 100% Azul: 100% Blanco: 100%
		196 ⇔ 200	Blanco 1
		201 ⇔ 205	Blanco 2
		206 ⇔ 210	Blanco 3
		211 ⇔ 215	Blanco 4
		216 ⇔ 220	Blanco 5
		221 ⇔ 225	Blanco 6
		226 ⇔ 230	Blanco 7
		231 ⇔ 235	Blanco 8
		236 ⇔ 240	Blanco 9
		241 ⇔ 245	Blanco 10
246 ⇔ 250	Blanco 11		
251 ⇔ 255	Blanco 12		
12	Estroboscopio	000 ⇔ 009	Sin función
		010 ⇔ 099	Estroboscopio, lento a rápido
		100 ⇔ 109	Sin función
		110 ⇔ 179	Efecto relámpago, lento a rápido
		180 ⇔ 189	Sin función
		190 ⇔ 255	Estroboscopio aleatorio, lento a rápido
13	Programas automáticos	000 ⇔ 040	Sin función
		041 ⇔ 050	Programa automático 1
		051 ⇔ 060	Programa automático 2
		061 ⇔ 070	Programa automático 3
		071 ⇔ 080	Programa automático 4
		081 ⇔ 090	Programa automático 5
		091 ⇔ 100	Programa automático 6
		101 ⇔ 110	Programa automático 7
		111 ⇔ 120	Programa automático 8
		121 ⇔ 130	Programa automático 9
		131 ⇔ 140	Programa automático 10
		141 ⇔ 150	Programa automático personalizada 1
		151 ⇔ 160	Programa automático personalizada 2
		161 ⇔ 170	Programa automático personalizada 3
		171 ⇔ 180	Programa automático personalizada 4
		181 ⇔ 190	Programa automático personalizada 5
191 ⇔ 200	Programa automático personalizada 6		
201 ⇔ 210	Programa automático personalizada 7		
211 ⇔ 220	Programa automático personalizada 8		
221 ⇔ 230	Programa automático personalizada 9		
231 ⇔ 255	Programa automático personalizada 10		
14	Velocidad de programa	000 ⇔ 255	Velocidad del programa automático, lento a rápido
15	Velocidad de atenuador	000 ⇔ 009	Ajuste de la velocidad del atenuador desde la pantalla
		010 ⇔ 029	Modo velocidad del atenuador desactivado
		030 ⇔ 069	Velocidad de atenuador 1 (rápida)
		070 ⇔ 129	Velocidad de atenuador 2
		130 ⇔ 189	Velocidad de atenuador 3
		190 ⇔ 255	Velocidad de atenuador 4 (lenta)

TR16 (15 canales)

Canal	Función	Valor	Porcentaje/Configuración
1	Atenuador	000 ⇔ 255	0–100%
2	Atenuador fino (cuando el C 13 está 000 ⇔ 140)	000 ⇔ 255	Control fino (16 bits)
	Duración del paso (cuando el C 13 está 141 ⇔ 255)	000 ⇔ 255	Duración del paso del programa personalizada, corto a largo
3	Rojo (cuando el C 13 está 000 ⇔ 140)	000 ⇔ 255	0–100%
	Velocidad del fade (cuando el C 13 está 141 ⇔ 255)	000 ⇔ 255	Velocidad del fade del programa personalizada, lento a rápido
4	Rojo fino	000 ⇔ 255	Control fino (16 bits)
5	Verde	000 ⇔ 255	0–100%
6	Verde fino	000 ⇔ 255	Control fino (16 bits)
7	Azul	000 ⇔ 255	0–100%
8	Azul fino	000 ⇔ 255	Control fino (16 bits)
9	Blanco	000 ⇔ 255	0–100%
10	Blanco fino	000 ⇔ 255	Control fino (16 bits)
11	Macro de color	000 ⇔ 010	Sin función
		011 ⇔ 030	Rojo: 100% Verde: 0–100% Azul: 0% Blanco: 0%
		031 ⇔ 050	Rojo: 100–0% Verde: 100% Azul: 0% Blanco: 0%
		051 ⇔ 070	Rojo: 0% Verde: 100% Azul: 0–100% Blanco: 0%
		071 ⇔ 090	Rojo: 0% Verde: 100–0% Azul: 100% Blanco: 0%
		091 ⇔ 110	Rojo: 0–100% Verde: 0% Azul: 100% Blanco: 0%
		111 ⇔ 130	Rojo: 100% Verde: 0% Azul: 100–0% Blanco: 0%
		131 ⇔ 150	Rojo: 100% Verde: 0–100% Azul: 0–100% Blanco: 0%
		151 ⇔ 170	Rojo: 100–0% Verde: 100–0% Azul: 100% Blanco: 0%
		171 ⇔ 195	Rojo: 100% Verde: 100% Azul: 100% Blanco: 100%
		196 ⇔ 200	Blanco 1
		201 ⇔ 205	Blanco 2
		206 ⇔ 210	Blanco 3
		211 ⇔ 215	Blanco 4
		216 ⇔ 220	Blanco 5
221 ⇔ 225	Blanco 6		
226 ⇔ 230	Blanco 7		
231 ⇔ 235	Blanco 8		
236 ⇔ 240	Blanco 9		
241 ⇔ 245	Blanco 10		
246 ⇔ 250	Blanco 11		
251 ⇔ 255	Blanco 12		
12	Estroboscopio	000 ⇔ 009	Sin función
		010 ⇔ 099	Estroboscopio, lento a rápido
		100 ⇔ 109	Sin función
		110 ⇔ 179	Efecto relámpago, lento a rápido
		180 ⇔ 189	Sin función
		190 ⇔ 255	Estroboscopio aleatorio, lento a rápido

Canal	Función	Valor	Porcentaje/Configuración
13	Programas automáticos	000 ⇔ 040	Sin función
		041 ⇔ 050	Programa automático 1
		051 ⇔ 060	Programa automático 2
		061 ⇔ 070	Programa automático 3
		071 ⇔ 080	Programa automático 4
		081 ⇔ 090	Programa automático 5
		091 ⇔ 100	Programa automático 6
		101 ⇔ 110	Programa automático 7
		111 ⇔ 120	Programa automático 8
		121 ⇔ 130	Programa automático 9
		131 ⇔ 140	Programa automático 10
		141 ⇔ 150	Programa automático personalizada 1
		151 ⇔ 160	Programa automático personalizada 2
		161 ⇔ 170	Programa automático personalizada 3
		171 ⇔ 180	Programa automático personalizada 4
		181 ⇔ 190	Programa automático personalizada 5
		191 ⇔ 200	Programa automático personalizada 6
		201 ⇔ 210	Programa automático personalizada 7
		211 ⇔ 220	Programa automático personalizada 8
		221 ⇔ 230	Programa automático personalizada 9
231 ⇔ 255	Programa automático personalizada 10		
14	Velocidad de programa	000 ⇔ 255	Velocidad del programa automático, lento a rápido
15	Velocidad de atenuador	000 ⇔ 009	Ajuste de la velocidad del atenuador desde la pantalla
		010 ⇔ 029	Modo velocidad del atenuador desactivado
		030 ⇔ 069	Velocidad de atenuador 1 (rápida)
		070 ⇔ 129	Velocidad de atenuador 2
		130 ⇔ 189	Velocidad de atenuador 3
		190 ⇔ 255	Velocidad de atenuador 4 (lenta)

TOUR (10 canales)

Canal	Función	Valor	Porcentaje/Configuración
1	Atenuador	000 ⇔ 255	0-100%
2	Rojo (cuando el C 8 está 000 ⇔ 140)	000 ⇔ 255	0-100%
	Duración del paso (cuando el C 8 está 141 ⇔ 255)	000 ⇔ 255	Duración del paso del programa personalizada, corto a largo
3	Verde (cuando el C 8 está 000 ⇔ 140)	000 ⇔ 255	0-100%
	Velocidad del fade (cuando el C 8 está 141 ⇔ 255)	000 ⇔ 255	Velocidad del fade del programa personalizada, lento a rápido
4	Azul	000 ⇔ 255	0-100%
5	Blanco	000 ⇔ 255	0-100%

Canal	Función	Valor	Porcentaje/Configuración
6	Macro de color	000 ⇔ 010	Sin función
		011 ⇔ 030	Rojo: 100% Verde: 0–100% Azul: 0% Blanco: 0%
		031 ⇔ 050	Rojo: 100–0% Verde: 100% Azul: 0% Blanco: 0%
		051 ⇔ 070	Rojo: 0% Verde: 100% Azul: 0–100% Blanco: 0%
		071 ⇔ 090	Rojo: 0% Verde: 100–0% Azul: 100% Blanco: 0%
		091 ⇔ 110	Rojo: 0–100% Verde: 0% Azul: 100% Blanco: 0%
		111 ⇔ 130	Rojo: 100% Verde: 0% Azul: 100–0% Blanco: 0%
		131 ⇔ 150	Rojo: 100% Verde: 0–100% Azul: 0–100% Blanco: 0%
		151 ⇔ 170	Rojo: 100–0% Verde: 100–0% Azul: 100% Blanco: 0%
		171 ⇔ 195	Rojo: 100% Verde: 100% Azul: 100% Blanco: 100%
		196 ⇔ 200	Blanco 1
		201 ⇔ 205	Blanco 2
		206 ⇔ 210	Blanco 3
		211 ⇔ 215	Blanco 4
		216 ⇔ 220	Blanco 5
		221 ⇔ 225	Blanco 6
		226 ⇔ 230	Blanco 7
		231 ⇔ 235	Blanco 8
		236 ⇔ 240	Blanco 9
		241 ⇔ 245	Blanco 10
246 ⇔ 250	Blanco 11		
251 ⇔ 255	Blanco 12		
7	Estroboscopio	000 ⇔ 009	Sin función
		010 ⇔ 099	Estroboscopio, lento a rápido
		100 ⇔ 109	Sin función
		110 ⇔ 179	Efecto relámpago, lento a rápido
		180 ⇔ 189	Sin función
		190 ⇔ 255	Estroboscopio aleatorio, lento a rápido
8	Programas automáticos	000 ⇔ 040	Sin función
		041 ⇔ 050	Programa automático 1
		051 ⇔ 060	Programa automático 2
		061 ⇔ 070	Programa automático 3
		071 ⇔ 080	Programa automático 4
		081 ⇔ 090	Programa automático 5
		091 ⇔ 100	Programa automático 6
		101 ⇔ 110	Programa automático 7
		111 ⇔ 120	Programa automático 8
		121 ⇔ 130	Programa automático 9
		131 ⇔ 140	Programa automático 10
		141 ⇔ 150	Programa automático personalizada 1
		151 ⇔ 160	Programa automático personalizada 2
		161 ⇔ 170	Programa automático personalizada 3
		171 ⇔ 180	Programa automático personalizada 4
		181 ⇔ 190	Programa automático personalizada 5
191 ⇔ 200	Programa automático personalizada 6		
201 ⇔ 210	Programa automático personalizada 7		
211 ⇔ 220	Programa automático personalizada 8		
221 ⇔ 230	Programa automático personalizada 9		
231 ⇔ 255	Programa automático personalizada 10		
9	Velocidad de programa	000 ⇔ 255	Velocidad del programa automático, lento a rápido
10	Velocidad de atenuador	000 ⇔ 009	Ajuste de la velocidad del atenuador desde la pantalla
		010 ⇔ 029	Modo velocidad del atenuador desactivado
		030 ⇔ 069	Velocidad de atenuador 1 (rápida)
		070 ⇔ 129	Velocidad de atenuador 2
		130 ⇔ 189	Velocidad de atenuador 3
		190 ⇔ 255	Velocidad de atenuador 4 (lenta)

ES

SSP (7 canales)

Canal	Función	Valor	Porcentaje/Configuración
1	Atenuador	000 ⇔ 255	0–100%
2	Rojo	000 ⇔ 255	0–100%
3	Verde	000 ⇔ 255	0–100%
4	Azul	000 ⇔ 255	0–100%
5	Blanco	000 ⇔ 255	0–100%
6	Estroboscopio	000 ⇔ 009	Sin función
		010 ⇔ 099	Estroboscopio, lento a rápido
		100 ⇔ 109	Sin función
		110 ⇔ 179	Efecto relámpago, lento a rápido
		180 ⇔ 189	Sin función
		190 ⇔ 255	Estroboscopio aleatorio, lento a rápido
7	Velocidad de atenuador	000 ⇔ 009	Ajuste de la velocidad del atenuador desde la pantalla
		010 ⇔ 029	Modo velocidad del atenuador desactivado
		030 ⇔ 069	Velocidad de atenuador 1 (rápida)
		070 ⇔ 129	Velocidad de atenuador 2
		130 ⇔ 189	Velocidad de atenuador 3
		190 ⇔ 255	Velocidad de atenuador 4 (lenta)

HSIC (7 canales)

Canal	Función	Valor	Porcentaje/Configuración
1	Atenuador	000 ⇔ 255	0–100%
2	Tono	000 ⇔ 255	0–100%
3	Tono fino	000 ⇔ 255	Control fino (16 bits)
4	Saturación	000 ⇔ 255	0–100%
5	Temperatura de color	000 ⇔ 010	Sin función
		011 ⇔ 030	Blanco 1
		031 ⇔ 050	Blanco 2
		051 ⇔ 070	Blanco 3
		071 ⇔ 090	Blanco 4
		091 ⇔ 110	Blanco 5
		111 ⇔ 130	Blanco 6
		131 ⇔ 150	Blanco 7
		151 ⇔ 170	Blanco 8
		171 ⇔ 190	Blanco 9
		191 ⇔ 210	Blanco 10
		211 ⇔ 230	Blanco 11
		231 ⇔ 255	Blanco 12
6	Estroboscopio	000 ⇔ 009	Sin función
		010 ⇔ 099	Estroboscopio, lento a rápido
		100 ⇔ 109	Sin función
		110 ⇔ 179	Efecto relámpago, lento a rápido
		180 ⇔ 189	Sin función
		190 ⇔ 255	Estroboscopio aleatorio, lento a rápido
7	Velocidad de atenuador	000 ⇔ 009	Ajuste de la velocidad del atenuador desde la pantalla
		010 ⇔ 029	Modo velocidad del atenuador desactivado
		030 ⇔ 069	Velocidad de atenuador 1 (rápida)
		070 ⇔ 129	Velocidad de atenuador 2
		130 ⇔ 189	Velocidad de atenuador 3
		190 ⇔ 255	Velocidad de atenuador 4 (lenta)

À Propos de ce Manuel

Le Manuel de Référence du COLORado 1QS (MdR) reprend des informations de base sur cet appareil notamment en matière de connexions, montage, options de menu et valeurs DMX. Télécharger le Manuel d'Utilisation sur www.chauvetprofessional.com pour de plus amples informations.

Clause de Non-Responsabilité

Les informations et caractéristiques contenues dans ce manuel sont sujettes à changement sans préavis.

GARANTIE LIMITÉE

VEUILLEZ VISITER NOTRE SITE INTERNET POUR CONSULTER LES MODALITÉS D'ENREGISTREMENT DE LA GARANTIE ET LES CONDITIONS GÉNÉRALES COMPLÈTES.

Pour les clients aux États-Unis et au Mexique: www.chauvetlighting.com/warranty-registration.

Pour les clients du Royaume-Uni, de la République d'Irlande, de la Belgique, des Pays-Bas, du Luxembourg, de la France et de l'Allemagne: www.chauvetlighting.eu/warranty-registration.

Chauvet garantit que cet appareil est exempt de défauts de matériaux et de fabrication dans des conditions normales d'utilisation, pendant la période spécifiée dans la garantie limitée complète consultable sur notre site Internet et sous réserve des exclusions et limitations qui y sont énoncées. Cette garantie ne s'applique qu'à l'acheteur initial du produit et n'est pas transférable. Pour exercer les droits prévus par cette garantie, vous devez fournir une preuve d'achat sous la forme d'un reçu de vente original d'un revendeur autorisé qui indique le nom du produit et la date d'achat. **IL N'EXISTE AUCUNE AUTRE GARANTIE EXPRESSE OU IMPLICITE.** Cette garantie vous confère des droits légaux spécifiques. Vous pouvez également bénéficier d'autres droits qui varient selon les états et les pays. Cette garantie n'est valable qu'aux États-Unis, au Royaume-Uni, en République d'Irlande, en Belgique, aux Pays-Bas, au Luxembourg, en France, en Allemagne et au Mexique. Pour connaître les conditions de garantie dans d'autres pays, veuillez consulter votre revendeur local.

Consignes de Sécurité

- N'ouvrez PAS cet appareil. Il ne contient aucun composant susceptible d'être réparé par l'utilisateur.
- Durant les périodes de non-utilisation, pour éviter tout usure inutile et pour prolonger la durée de vie, déconnectez entièrement l'appareil en le débranchant de l'alimentation électrique ou en coupant le disjoncteur.
- Ne regardez PAS la source lumineuse lorsque l'appareil fonctionne.
- ATTENTION : le boîtier de cet appareil est brûlant lors du fonctionnement.
- Montez toujours cet appareil dans un endroit bien ventilé, à au moins, 20 pouces (50 cm) des surfaces adjacentes.
- Ne laissez AUCUNE source inflammable dans un rayon de 50 cm de l'appareil lorsque celui-ci fonctionne.
- Attention : Lorsque l'appareil est transféré d'un environnement à température extrême à un autre (par exemple d'un camion froid vers une salle de bal chaude et humide), de la condensation peut se former sur les composants électriques internes. Pour éviter de causer des dommages, laissez l'appareil s'acclimater entièrement au milieu environnant avant de le mettre sous tension.
- Ne convient pas aux installations permanentes en extérieur sur des sites sujets à des conditions environnementales extrêmes. Cela inclut par exemple :
 - L'exposition à un environnement marin ou à une solution saline (à moins de 4,8 kilomètres d'un corps d'eau salée).
 - Lorsque les températures moyennes hautes ou basses du site dépassent les plages de températures indiquées dans ce manuel.
 - Les sites qui sont sujets aux inondations ou qui présentent un risque d'être ensevelis sous la neige.
 - Tout autre endroit où le produit risque d'être soumis à des rayonnements extrêmes ou à des substances caustiques.
- Utilisez TOUJOURS un câble de sécurité lorsque vous montez cet appareil en hauteur.
- N'immergez PAS ce produit (IP 65). Un usage normal en extérieur est autorisé.
- N'utilisez PAS cet appareil si le boîtier, les lentilles ou les câbles vous semblent endommagés.
- Ne connectez PAS cet appareil ni à un gradateur ni à un rhéostat.
- Connectez UNIQUEMENT cet appareil à un circuit protégé et relié à la terre.
- Transportez/Suspendez cet appareil UNIQUEMENT par le support de montage dont il est doté.
- En cas de sérieux problèmes de fonctionnement, arrêtez le système immédiatement.
- La température ambiante maximale supportée par ce produit est de 113 °F (45 °C). Ne le faites pas fonctionner à des températures plus élevées.
- La température de démarrage minimale est de -20°C (-4°F). Ne pas démarrer l'appareil à des températures plus basses.
- La température ambiante minimale est de -30°C (-22°F). Ne pas utiliser l'appareil à des températures plus basses.

Conformité FCC

Cet appareil est conforme à la partie 15, sous-partie B du règlement de la FCC. L'utilisation est soumise aux deux conditions suivantes :

1. Cet appareil ne doit pas causer d'interférences nuisibles, et
2. Cet appareil doit accepter toutes les interférences reçues, y compris celles pouvant entraîner un fonctionnement indésirable.

Tout changement ou modification non expressément approuvé par l'autorité responsable de la conformité pourrait annuler le droit de l'utilisateur à utiliser l'équipement.

Contact

En dehors des États-Unis, du Royaume-Uni, de l'Irlande, du Benelux, de la France, de l'Allemagne, ou du Mexique, contactez votre fournisseur si vous avez besoin d'assistance ou pour retourner un appareil. Référez-vous à [Contact Us](#) à la fin de ce MdR pour obtenir des informations pour nous contacter.

Ce Qui est Inclus

- COLORado 1QS
- Cordon d’Alimentation Seetronic Powerkon IP65
- Support de gélatine
- Fixation Omega
- Manuel de Référence

Alimentation CA

Cet appareil est doté d'une alimentation universelle prenant en charge toute tension d'entrée comprise entre 100 et 240 VCA, 50/60 Hz.

Connexion Électrique

Vous pouvez connecter jusqu'à 21 COLORado 1QS à 120 V, 34 unités à 208 V ou 37 unités à 230 V. Vous pouvez vous procurer séparément des cordons d'alimentation.

Prise CA

Connexion	Câble (États-Unis)	Câble (Europe)	Couleur de la vis
Conducteur CA	Noir	Marron	Jaune/Cuivré
Neutre CA	Blanc	Bleu	Argenté
Terre CA	Vert/Jaune	Vert/Jaune	Vert



- **Durant les périodes de non-utilisation, pour éviter toute usure inutile et pour prolonger la durée de vie, déconnectez-entièrement l'appareil en le débranchant de l'alimentation électrique ou en coupant le disjoncteur.**
- **Lors de l'utilisation de cet appareil en environnement extérieur, utilisez des câbles de données certifiés IP65 au minimum. Assurez-vous de protéger les ports d'alimentation et de données non utilisés avec les couvercles IP 65 fournis.**

Raccordement DMX

Le COLORado 1QS fonctionnera avec une console DMX au moyen d'une connexion série DMX à 5 broches. Une introduction au DMX est à votre disposition sur www.chauvetprofessional.com.

Connexion DMX

Le COLORado 1QS utilise une connexion de données DMX standard ou sans fil pour ses personnalités DMX: **HSIC, SSP, TOUR, TR16** et **STD.Y**. Consultez le manuel d'utilisation pour connecter et configurer le système DMX.

Connexion Maître/ Esclave

Le COLORado 1QS utilise une connexion de données DMX pour son mode Maître/Esclave. Consultez le Manuel d'Utilisation pour connecter et configurer le mode de fonctionnement Maître/Esclave.

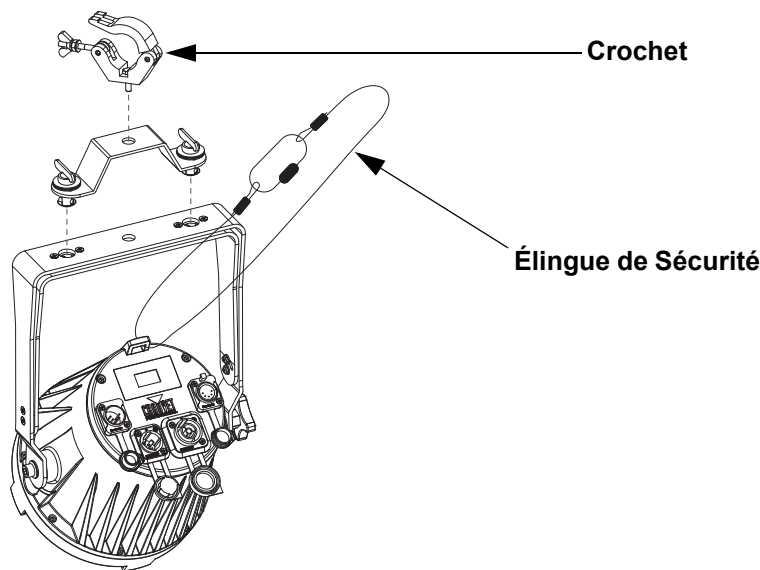
RDM (Gestion des périphériques à distance)

Le protocole RDM (gestion des périphériques à distance) est un standard pour la communication bidirectionnelle des appareils dotés de fonctions DMX dans un câblage DMX existant. Le COLORado 1QS supporte le protocole RDM permettant un retour d'information pour la surveillance et des changements des options de menu. Veuillez télécharger le manuel de l'utilisateur à partir du site internet www.chauvetprofessional.com pour plus de détails.

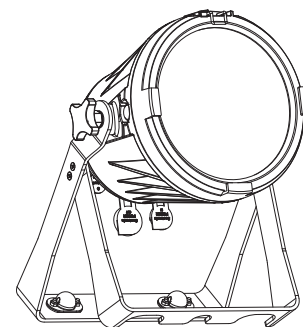
Installation

Avant de monter cet appareil, lisez et assimilez les [Consignes de Sécurité](#). Soyez sûr que les crochets sont capables de supporter le poids du produit. Pour voir notre gamme de crochets, rendez-vous sur <http://trusst.com/productcategory/truss-clamps>.

Schéma de Montage de l'Appareil



Montage en Hauteur



Montage au Sol

Description du Tableau de Commandes

Bouton	Fonction
<MENU>	Permet la sortie du menu ou de la fonction en cours
<ENTER>	Permet l'affichage du menu en cours ou permet de configurer la valeur en cours dans la fonction sélectionnée
<UP>	Permet de parcourir les listes ou les menus vers le haut, dans une fonction permet d'augmenter les valeurs numériques
<DOWN>	Permet de parcourir les listes ou les menus vers le bas, dans une fonction permet de diminuer les valeurs numériques

Code d'accès

Une fois affiché, saisissez le code d'accès suivant comme suit: <UP>, <DOWN>, <UP>, <DOWN>, <ENTER>.

Ce code ne peut pas être modifié et doit être saisi sur demande.

Plan du Menu

Menu Principal	Niveaux de Programmation		Description	
STATIC	RED	RED 000-255	Combine les couleurs rouge, vert, bleu et blanc pour un résultat personnalisé	
	GREEN	GREEN 000-255		
	BLUE	BLUE 000-255		
	WHITE	WHITE 000-255		
	STROBE	STROBE 0-25	Règle la fréquence de stroboscope (0-25 Hz)	
ADDRESS	1-506*		Permet de sélectionner l'adresse de démarrage (*le canal le plus élevé est restreint à la personnalité choisie)	
AUTO PROGRAM	AUTO1-10	SPEED 0-255	Sélectionne les programmes automatiques et vitesse auto	
	PROGRAM1-10			
RUN MODE	DMX		Mode DMX (maître)	
	SLAVE		Mode esclave	
PERSONALITY	HSIC		7 canaux: gradateur, teinte 16-bit, saturation, température de couleur, stroboscope, vitesse du gradateur	
	SSP		7 canaux: gradateur, RGBW, stroboscope, vitesse du gradateur	
	TOUR		10 canaux: gradateur, RGBW, macro de couleur, stroboscope, programmes automatiques et vitesse, vitesse du gradateur	
	TR16		15 canaux: gradateur 16-bit, RGBW 16-bit, macro de couleur, stroboscope, auto programmes automatiques et vitesse, vitesse du gradateur	
	STD.Y		15 canaux: gradateur 16-bit, RGBW 16-bit, macro de couleur, stroboscope, auto programmes automatiques et vitesse, vitesse du gradateur	
EDIT	PROGRAM 01-10	SCENE 01-30	RED 0-255	Combine les couleurs rouge, vert, bleu et blanc pour un résultat personnalisé
			GREEN 0-255	
			BLUE 0-255	
			WHITE 0-255	
			STROBE 0-25	Règle la fréquence de stroboscope (0-25 Hz)
			TIME 0-255	Règle la durée de pas (court à long)
			FADE 0-255*	Règle la vitesse du fondu (lent à rapide) (*plage déterminée par le réglage TIME)

Menu Principal	Niveaux de Programmation			Description	
SETTING	UPLOAD	**** (Enter Passcode)	SEND	Télécharge les programmes personnalisés sur d'autres COLORado 1QS	
	RESET	**** (Enter Passcode)		Permet de réinitialiser aux valeurs par défaut d'usine	
	DIMMER	OFF		Assombrissement linéaire	
		DIM1-4		Courbes de gradation DIM1 (rapide) à DIM4 (lent)	
	DMX ERROR	SAVE		En cas de perte de DMX, la dernière commande se maintiendra	
		BLACK		Met l'unité en noir général en cas de perte de DMX	
	PWM	600Hz	X FINE Y FINE	+/-200	Permet de sélectionner la fréquence de sortie MLI
		1200Hz			
		2000Hz			
		2400Hz			
6000Hz					
18000Hz 25000Hz					
FULL POWER CCT	WARM WHITE			Définit la température de couleur lorsque la sortie LED est 100%	
	NEUTRAL WHITE				
	COOL WHITE			Température de couleur manuelle	
	NORMAL				
XY OFFSET	HIDE			Affiche ou masque les paramètres XY dans l'option de menu PWM	
	SHOW				
KEY	ON			Verrouillage de l'affichage (le code d'accès est <UP>, <DOWN>, <UP>, <DOWN>, <ENTER>)	
	OFF				
CALIB.C	**** (Enter Passcode)	WHITE-01-13	X FINE Y FINE	+/-200	Modifie les températures de couleur pré-réglées
INFO	VERSION	V_._		Affiche la version du logiciel installée	
	RDM	UID	-----	Affiche l'ID de l'appareil	
		LABEL	COLORado 1 QS		Affiche le nom du produit pour RDM

Valeurs DMX

STD.Y (15 canaux)

Canal	Fonction	Valeur	Pourcentage/Configuration
1	Gradateur	000 ⇔ 255	0-100%
2	Gradateur fin (lorsque le canal 13 est 000 ⇔ 140)	000 ⇔ 255	Contrôle fin (16 bits)
	Durée de pas (lorsque le canal 13 est 141 ⇔ 255)	000 ⇔ 255	Durée de pas du programme personnalisé, court à long
3	Rouge (lorsque le canal 13 est 000 ⇔ 140)	000 ⇔ 255	0-100%
	Vitesse du fondu (lorsque le canal 13 est 141 ⇔ 255)	000 ⇔ 255	Vitesse du fondu du programme personnalisé, lent à rapide
4	Rouge fin	000 ⇔ 255	Contrôle fin (16 bits)
5	Vert	000 ⇔ 255	0-100%
6	Vert fin	000 ⇔ 255	Contrôle fin (16 bits)
7	Bleu	000 ⇔ 255	0-100%
8	Bleu fin	000 ⇔ 255	Contrôle fin (16 bits)
9	Blanc	000 ⇔ 255	0-100%
10	Blanc fin	000 ⇔ 255	Contrôle fin (16 bits)

Canal	Fonction	Valeur	Pourcentage/Configuration
11	Macro de couleur	000 ⇔ 010	Pas de fonction
		011 ⇔ 030	Rouge: 100% Vert: 0–100% Bleu: 0% Blanc: 0%
		031 ⇔ 050	Rouge: 100–0% Vert: 100% Bleu: 0% Blanc: 0%
		051 ⇔ 070	Rouge: 0% Vert: 100% Bleu: 0–100% Blanc: 0%
		071 ⇔ 090	Rouge: 0% Vert: 100–0% Bleu: 100% Blanc: 0%
		091 ⇔ 110	Rouge: 0–100% Vert: 0% Bleu: 100% Blanc: 0%
		111 ⇔ 130	Rouge: 100% Vert: 0% Bleu: 100–0% Blanc: 0%
		131 ⇔ 150	Rouge: 100% Vert: 0–100% Bleu: 0–100% Blanc: 0%
		151 ⇔ 170	Rouge: 100–0% Vert: 100–0% Bleu: 100% Blanc: 0%
		171 ⇔ 195	Rouge: 100% Vert: 100% Bleu: 100% Blanc: 100%
		196 ⇔ 200	Blanc 1
		201 ⇔ 205	Blanc 2
		206 ⇔ 210	Blanc 3
		211 ⇔ 215	Blanc 4
		216 ⇔ 220	Blanc 5
		221 ⇔ 225	Blanc 6
		226 ⇔ 230	Blanc 7
		231 ⇔ 235	Blanc 8
		236 ⇔ 240	Blanc 9
		241 ⇔ 245	Blanc 10
246 ⇔ 250	Blanc 11		
251 ⇔ 255	Blanc 12		
12	Strobe	000 ⇔ 009	Pas de fonction
		010 ⇔ 099	Stroboscope, lent à rapide
		100 ⇔ 109	Pas de fonction
		110 ⇔ 179	Effet de foudre, lent à rapide
		180 ⇔ 189	Pas de fonction
		190 ⇔ 255	Stroboscope aléatoire, lent à rapide
13	Programmes automatiques	000 ⇔ 040	Pas de fonction
		041 ⇔ 050	Programme automatique 1
		051 ⇔ 060	Programme automatique 2
		061 ⇔ 070	Programme automatique 3
		071 ⇔ 080	Programme automatique 4
		081 ⇔ 090	Programme automatique 5
		091 ⇔ 100	Programme automatique 6
		101 ⇔ 110	Programme automatique 7
		111 ⇔ 120	Programme automatique 8
		121 ⇔ 130	Programme automatique 9
		131 ⇔ 140	Programme automatique 10
		141 ⇔ 150	Programme automatique personnalisé 1
		151 ⇔ 160	Programme automatique personnalisé 2
		161 ⇔ 170	Programme automatique personnalisé 3
		171 ⇔ 180	Programme automatique personnalisé 4
		181 ⇔ 190	Programme automatique personnalisé 5
191 ⇔ 200	Programme automatique personnalisé 6		
201 ⇔ 210	Programme automatique personnalisé 7		
211 ⇔ 220	Programme automatique personnalisé 8		
221 ⇔ 230	Programme automatique personnalisé 9		
231 ⇔ 255	Programme automatique personnalisé 10		
14	Vitesse du programme	000 ⇔ 255	Vitesse du programme automatique, lente à rapide
15	Vitesse du gradateur	000 ⇔ 009	Préréglage de vitesse d'assombrissement à partir du menu affichage
		010 ⇔ 029	Arrêt du mode de vitesse d'assombrissement
		030 ⇔ 069	Mode 1 de vitesse d'assombrissement (rapide)
		070 ⇔ 129	Mode 2 de vitesse d'assombrissement
		130 ⇔ 189	Mode 3 de vitesse d'assombrissement
		190 ⇔ 255	Mode 4 de vitesse d'assombrissement (lente)

TR16 (15 canaux)

Canal	Fonction	Valeur	Pourcentage/Configuration
1	Gradateur	000 ⇔ 255	0–100%
2	Gradateur fin (lorsque le canal 13 est 000 ⇔ 140)	000 ⇔ 255	Contrôle fin (16 bits)
	Durée de pas (lorsque le canal 13 est 141 ⇔ 255)	000 ⇔ 255	Durée de pas du programme personnalisé, court à long
3	Rouge (lorsque le canal 13 est 000 ⇔ 140)	000 ⇔ 255	0–100%
	Vitesse du fondu (lorsque le canal 13 est 141 ⇔ 255)	000 ⇔ 255	Vitesse du fondu du programme personnalisé, lent à rapide
4	Rouge fin	000 ⇔ 255	Contrôle fin (16 bits)
5	Vert	000 ⇔ 255	0–100%
6	Vert fin	000 ⇔ 255	Contrôle fin (16 bits)
7	Bleu	000 ⇔ 255	0–100%
8	Bleu fin	000 ⇔ 255	Contrôle fin (16 bits)
9	Blanc	000 ⇔ 255	0–100%
10	Blanc fin	000 ⇔ 255	Contrôle fin (16 bits)
11	Macro de couleur	000 ⇔ 010	Pas de fonction
		011 ⇔ 030	Rouge: 100% Vert: 0–100% Bleu: 0% Blanc: 0%
		031 ⇔ 050	Rouge: 100–0% Vert: 100% Bleu: 0% Blanc: 0%
		051 ⇔ 070	Rouge: 0% Vert: 100% Bleu: 0–100% Blanc: 0%
		071 ⇔ 090	Rouge: 0% Vert: 100–0% Bleu: 100% Blanc: 0%
		091 ⇔ 110	Rouge: 0–100% Vert: 0% Bleu: 100% Blanc: 0%
		111 ⇔ 130	Rouge: 100% Vert: 0% Bleu: 100–0% Blanc: 0%
		131 ⇔ 150	Rouge: 100% Vert: 0–100% Bleu: 0–100% Blanc: 0%
		151 ⇔ 170	Rouge: 100–0% Vert: 100–0% Bleu: 100% Blanc: 0%
		171 ⇔ 195	Rouge: 100% Vert: 100% Bleu: 100% Blanc: 100%
		196 ⇔ 200	Blanc 1
		201 ⇔ 205	Blanc 2
		206 ⇔ 210	Blanc 3
		211 ⇔ 215	Blanc 4
		216 ⇔ 220	Blanc 5
		221 ⇔ 225	Blanc 6
226 ⇔ 230	Blanc 7		
231 ⇔ 235	Blanc 8		
236 ⇔ 240	Blanc 9		
241 ⇔ 245	Blanc 10		
246 ⇔ 250	Blanc 11		
251 ⇔ 255	Blanc 12		
12	Strobe	000 ⇔ 009	Pas de fonction
		010 ⇔ 099	Stroboscope, lent à rapide
		100 ⇔ 109	Pas de fonction
		110 ⇔ 179	Effet de foudre, lent à rapide
		180 ⇔ 189	Pas de fonction
		190 ⇔ 255	Stroboscope aléatoire, lent à rapide

Canal	Fonction	Valeur	Pourcentage/Configuration
13	Programmes automatiques	000 ⇔ 040	Pas de fonction
		041 ⇔ 050	Programme automatique 1
		051 ⇔ 060	Programme automatique 2
		061 ⇔ 070	Programme automatique 3
		071 ⇔ 080	Programme automatique 4
		081 ⇔ 090	Programme automatique 5
		091 ⇔ 100	Programme automatique 6
		101 ⇔ 110	Programme automatique 7
		111 ⇔ 120	Programme automatique 8
		121 ⇔ 130	Programme automatique 9
		131 ⇔ 140	Programme automatique 10
		141 ⇔ 150	Programme automatique personnalisé 1
		151 ⇔ 160	Programme automatique personnalisé 2
		161 ⇔ 170	Programme automatique personnalisé 3
		171 ⇔ 180	Programme automatique personnalisé 4
		181 ⇔ 190	Programme automatique personnalisé 5
		191 ⇔ 200	Programme automatique personnalisé 6
		201 ⇔ 210	Programme automatique personnalisé 7
		211 ⇔ 220	Programme automatique personnalisé 8
		221 ⇔ 230	Programme automatique personnalisé 9
231 ⇔ 255	Programme automatique personnalisé 10		
14	Vitesse du programme	000 ⇔ 255	Vitesse du programme automatique, lente à rapide
15	Vitesse du gradateur	000 ⇔ 009	Préréglage de vitesse d'assombrissement à partir du menu affichage
		010 ⇔ 029	Arrêt du mode de vitesse d'assombrissement
		030 ⇔ 069	Mode 1 de vitesse d'assombrissement (rapide)
		070 ⇔ 129	Mode 2 de vitesse d'assombrissement
		130 ⇔ 189	Mode 3 de vitesse d'assombrissement
		190 ⇔ 255	Mode 4 de vitesse d'assombrissement (lente)

TOUR (10 canaux)

Canal	Fonction	Valeur	Pourcentage/Configuration
1	Gradateur	000 ⇔ 255	0–100%
2	Rouge (lorsque le canal 8 est 000 ⇔ 140)	000 ⇔ 255	0–100%
	Durée de pas (lorsque le canal 8 est 141 ⇔ 255)	000 ⇔ 255	Durée de pas du programme personnalisé, court à long
3	Vert (lorsque le canal 8 est 000 ⇔ 140)	000 ⇔ 255	0–100%
	Vitesse du fondu (lorsque le canal 8 est 141 ⇔ 255)	000 ⇔ 255	Vitesse du fondu du programme personnalisé, lent à rapide
4	Bleu	000 ⇔ 255	0–100%
5	Blanc	000 ⇔ 255	0–100%

Canal	Fonction	Valeur	Pourcentage/Configuration
6	Macro de couleur	000 ⇔ 010	Pas de fonction
		011 ⇔ 030	Rouge: 100% Vert: 0–100% Bleu: 0% Blanc: 0%
		031 ⇔ 050	Rouge: 100–0% Vert: 100% Bleu: 0% Blanc: 0%
		051 ⇔ 070	Rouge: 0% Vert: 100% Bleu: 0–100% Blanc: 0%
		071 ⇔ 090	Rouge: 0% Vert: 100–0% Bleu: 100% Blanc: 0%
		091 ⇔ 110	Rouge: 0–100% Vert: 0% Bleu: 100% Blanc: 0%
		111 ⇔ 130	Rouge: 100% Vert: 0% Bleu: 100–0% Blanc: 0%
		131 ⇔ 150	Rouge: 100% Vert: 0–100% Bleu: 0–100% Blanc: 0%
		151 ⇔ 170	Rouge: 100–0% Vert: 100–0% Bleu: 100% Blanc: 0%
		171 ⇔ 195	Rouge: 100% Vert: 100% Bleu: 100% Blanc: 100%
		196 ⇔ 200	Blanc 1
		201 ⇔ 205	Blanc 2
		206 ⇔ 210	Blanc 3
		211 ⇔ 215	Blanc 4
		216 ⇔ 220	Blanc 5
		221 ⇔ 225	Blanc 6
		226 ⇔ 230	Blanc 7
		231 ⇔ 235	Blanc 8
		236 ⇔ 240	Blanc 9
		241 ⇔ 245	Blanc 10
246 ⇔ 250	Blanc 11		
251 ⇔ 255	Blanc 12		
7	Strobe	000 ⇔ 009	Pas de fonction
		010 ⇔ 099	Stroboscope, lent à rapide
		100 ⇔ 109	Pas de fonction
		110 ⇔ 179	Effet de foudre, lent à rapide
		180 ⇔ 189	Pas de fonction
		190 ⇔ 255	Stroboscope aléatoire, lent à rapide
8	Programmes automatiques	000 ⇔ 040	Pas de fonction
		041 ⇔ 050	Programme automatique 1
		051 ⇔ 060	Programme automatique 2
		061 ⇔ 070	Programme automatique 3
		071 ⇔ 080	Programme automatique 4
		081 ⇔ 090	Programme automatique 5
		091 ⇔ 100	Programme automatique 6
		101 ⇔ 110	Programme automatique 7
		111 ⇔ 120	Programme automatique 8
		121 ⇔ 130	Programme automatique 9
		131 ⇔ 140	Programme automatique 10
		141 ⇔ 150	Programme automatique personnalisé 1
		151 ⇔ 160	Programme automatique personnalisé 2
		161 ⇔ 170	Programme automatique personnalisé 3
		171 ⇔ 180	Programme automatique personnalisé 4
		181 ⇔ 190	Programme automatique personnalisé 5
191 ⇔ 200	Programme automatique personnalisé 6		
201 ⇔ 210	Programme automatique personnalisé 7		
211 ⇔ 220	Programme automatique personnalisé 8		
221 ⇔ 230	Programme automatique personnalisé 9		
231 ⇔ 255	Programme automatique personnalisé 10		
9	Vitesse du programme	000 ⇔ 255	Vitesse du programme automatique, lente à rapide
10	Vitesse du gradateur	000 ⇔ 009	Préréglage de vitesse d'assombrissement à partir du menu affichage
		010 ⇔ 029	Arrêt du mode de vitesse d'assombrissement
		030 ⇔ 069	Mode 1 de vitesse d'assombrissement (rapide)
		070 ⇔ 129	Mode 2 de vitesse d'assombrissement
		130 ⇔ 189	Mode 3 de vitesse d'assombrissement
		190 ⇔ 255	Mode 4 de vitesse d'assombrissement (lente)

SSP (7 canaux)

Canal	Fonction	Valeur	Pourcentage/Configuration
1	Gradateur	000 ⇔ 255	0–100%
2	Rouge	000 ⇔ 255	0–100%
3	Vert	000 ⇔ 255	0–100%
4	Bleu	000 ⇔ 255	0–100%
5	Blanc	000 ⇔ 255	0–100%
6	Strobe	000 ⇔ 009	Pas de fonction
		010 ⇔ 099	Stroboscope, lent à rapide
		100 ⇔ 109	Pas de fonction
		110 ⇔ 179	Effet de foudre, lent à rapide
		180 ⇔ 189	Pas de fonction
		190 ⇔ 255	Stroboscope aléatoire, lent à rapide
7	Vitesse du gradateur	000 ⇔ 009	Préréglage de vitesse d'assombrissement à partir du menu affichage
		010 ⇔ 029	Arrêt du mode de vitesse d'assombrissement
		030 ⇔ 069	Mode 1 de vitesse d'assombrissement (rapide)
		070 ⇔ 129	Mode 2 de vitesse d'assombrissement
		130 ⇔ 189	Mode 3 de vitesse d'assombrissement
		190 ⇔ 255	Mode 4 de vitesse d'assombrissement (lente)

HSIC (7 canaux)

Canal	Fonction	Valeur	Pourcentage/Configuration
1	Gradateur	000 ⇔ 255	0–100%
2	Teinte	000 ⇔ 255	0–100%
3	Teinte fin	000 ⇔ 255	0–100%
4	Saturation	000 ⇔ 255	0–100%
5	Température de couleur	000 ⇔ 010	Pas de fonction
		011 ⇔ 030	Blanc 1
		031 ⇔ 050	Blanc 2
		051 ⇔ 070	Blanc 3
		071 ⇔ 090	Blanc 4
		091 ⇔ 110	Blanc 5
		111 ⇔ 130	Blanc 6
		131 ⇔ 150	Blanc 7
		151 ⇔ 170	Blanc 8
		171 ⇔ 190	Blanc 9
		191 ⇔ 210	Blanc 10
		211 ⇔ 230	Blanc 11
		231 ⇔ 255	Blanc 12
6	Stroboscope	000 ⇔ 009	Pas de fonction
		010 ⇔ 099	Stroboscope, lent à rapide
		100 ⇔ 109	Pas de fonction
		110 ⇔ 179	Effet de foudre, lent à rapide
		180 ⇔ 189	Pas de fonction
		190 ⇔ 255	Stroboscope aléatoire, lent à rapide
7	Vitesse du gradateur	000 ⇔ 009	Préréglage de vitesse d'assombrissement à partir du menu affichage
		010 ⇔ 029	Arrêt du mode de vitesse d'assombrissement
		030 ⇔ 069	Mode 1 de vitesse d'assombrissement (rapide)
		070 ⇔ 129	Mode 2 de vitesse d'assombrissement
		130 ⇔ 189	Mode 3 de vitesse d'assombrissement
		190 ⇔ 255	Mode 4 de vitesse d'assombrissement (lente)

Über diese Schnellanleitung

In der Schnellanleitung des COLORado 1QS finden Sie die wesentlichen Produktinformationen, wie etwa über die Montage, Menüoptionen und DMX-Werte des Geräts. Laden Sie für weiterführende Informationen unter www.chauvetprofessional.com das Benutzerhandbuch herunter.

Haftungsausschluss

Die in dieser Anleitung aufgeführten Informationen und Spezifikationen können ohne vorherige Ankündigung geändert werden.

EINGESCHRÄNKTE GARANTIE

ZUR REGISTRIERUNG FÜR GARANTIEANSPRÜCHE UND ZUR EINSICHT IN DIE VOLLSTÄNDIGEN GESCHÄFTSBEDINGUNGEN BESUCHEN SIE BITTE UNSERE WEBSITE.

Für Kunden in den USA und in Mexiko: www.chauvetlighting.com/warranty-registration.

Für Kunden im Vereinigten Königreich, in Irland, Belgien, den Niederlanden, Luxemburg, Frankreich und Deutschland: www.chauvetlighting.eu/warranty-registration.

Chauvet garantiert für die in der auf unserer Website veröffentlichten vollständigen eingeschränkten Garantie genannten Dauer und unter Vorbehalt der darin genannten Haftungsausschlüsse und -beschränkungen, dass dieses Produkt bei normalen Gebrauch frei von Material- und Verarbeitungsfehlern ist. Diese Garantie erstreckt sich nur auf den Erstkäufer des Produkts und ist nicht übertragbar. Zur Ausübung der unter dieser Garantie gewährten Rechte ist der Kaufbeleg in Form der Originalrechnung von einem autorisierten Händler vorzulegen, in der die Produktbezeichnung und das Kaufdatum vermerkt sein müssen. ES BESTEHEN KEINE WEITEREN AUSDRÜCKLICHEN ODER STILLSCHWEIGENDEN GARANTIEN. Diese Garantie gibt Ihnen besondere gesetzliche Rechte. Und Sie haben möglicherweise weitere Rechte, die von Land zu Land unterschiedlich sein können. Diese Garantie ist nur in den USA, im Vereinigten Königreich, in Irland, Belgien, den Niederlanden, Luxemburg, Frankreich, Deutschland und Mexiko gültig. Bezüglich der Garantiebestimmungen in anderen Ländern wenden Sie sich bitte an Ihren lokalen Händler.

Sicherheitshinweise

- Dieses Gerät NICHT öffnen. Die eingebauten Komponenten sind für den Kunden wartungsfrei.
- Um unnötigen Verschleiß zu vermeiden und die Lebensdauer des Geräts zu verlängern, trennen Sie während längerer Perioden des Nichtgebrauchs das Gerät vom Stromnetz – entweder per Trennschalter oder durch Herausziehen des Steckers aus der Steckdose.
- NIEMALS in die Lichtquelle schauen, während das Gerät eingeschaltet ist.
- VORSICHT: Das Gehäuse dieses Produkts kann während des Betriebs heiß werden. Installieren Sie das Gerät an einem Ort mit ausreichender Belüftung und mit einem Abstand von mindestens 50 cm zu den angrenzenden Flächen.
- Belassen Sie KEINE entflammaren Materialien in einem Umkreis von 50 cm dieses Geräts, während es in Betrieb oder an der Stromversorgung angeschlossen ist.
- VORSICHT: Beim Transport des Geräts von einer Umgebung mit außergewöhnlichen Temperaturen in eine andere solche Umgebung (z. B. aus einem kalten Transporter in einen warm-feuchten Ballsaal) kann an der im Gerät enthaltenen Elektronik Wasser kondensieren. Um einen Defekt zu vermeiden, muss sich das Gerät erst in der neuen Umgebung akklimatisiert haben, bevor es an die Stromversorgung angeschlossen werden kann.
- Dieses Geräts eignet sich nicht für eine permanente Installation im Außenbereich an Orten mit extremen Umweltbedingungen. Dies beinhaltet insbesondere:
 - Exposition gegenüber Meeres-/salzhaltigen Umgebungen (innerhalb von 5 km eines salzhaltigen Gewässers).
 - Orte, an denen die normalen Niedrigst- oder Höchsttemperaturen außerhalb des im Handbuch angegebenen Temperaturbereichs liegen.
 - Orte, die überflutet oder zugeschnitten werden können.
 - Sonstige Bereiche, in denen das Produkt einer großen Strahlung oder ätzenden Substanzen ausgesetzt ist.
- VERWENDEN Sie bei Montage über Kopf immer ein Sicherheitsseil.
- Dieses Gerät darf NICHT in Wasser eingetaucht werden (IP65). Eine regelmäßige Verwendung dieses Geräts im Freien ist möglich.
- NIEMALS das Gerät in Betrieb nehmen, wenn Ihnen das Gehäuse, die Linsen oder das Kabel beschädigt erscheinen.
- Schließen Sie dieses Gerät NICHT an einen Dimmer oder Regelwiderstand an.
- Schließen Sie dieses Produkt NUR an einen mit der Erde verbundenen und geschützten Stromkreis an.
- Das Gerät NUR an den Hänge-/Befestigungsbügeln oder Griffen tragen.
- Bei ernsthaften Betriebsproblemen stoppen Sie umgehend die Verwendung des Geräts.
- Die maximal zulässige Umgebungstemperatur beträgt 45 °C. Nehmen Sie das Gerät nicht bei höheren Temperaturen in Betrieb.
- Die zulässige Mindesttemperatur für den Start beträgt -20 °C. Starten Sie das Gerät nicht bei niedrigeren Temperaturen.
- Die minimal zulässige Umgebungstemperatur beträgt -30 °C. Nehmen Sie das Gerät nicht bei niedrigeren Temperaturen in Betrieb.

FCC-Konformität

Dieses Gerät erfüllt Teil 15, Teil B, der FCC-Bestimmungen. Der Betrieb ist an folgende zwei Bedingungen geknüpft:

1. Dieses Gerät darf keine schädlichen Interferenzen verursachen, und
2. Dieses Gerät muss empfangende Interferenzen aufnehmen können, auch Interferenzen, die eventuell einen unerwünschten Betrieb verursachen.

Jegliche Änderungen oder Modifikationen, die nicht ausdrücklich von der Partei genehmigt wurden, die für die Compliance zuständig ist, könnten die Berechtigung des Benutzers zum Betrieb dieses Geräts aufheben.

Kontakt

Kunden außerhalb der USA, GB, Irland, Benelux, Frankreich, Deutschland oder Mexiko wenden sich an ihren Lieferanten, um den Kundensupport in Anspruch zu nehmen oder ein Produkt zurückzuschicken. Kontaktinformationen finden Sie im [Contact Us](#) am Ende dieses QRG.

Packungsinhalt

- COLORado 1QS
- Seetronic Powerkon IP65 Netzkabel
- Gel-Rahmen
- Omega-Hängebügel
- Schnellanleitung

Wechselstrom

Dieses Gerät verfügt über ein Vorschaltgerät, das automatisch die anliegende Spannung erkennt, sobald der Netzstecker in die Schukosteckdose gesteckt wird, und kann mit einer Eingangsspannung von 100~240 V AC, 50/60 Hz arbeiten.

Serienschaltung der Geräte

Sie können bis zu 21 COLORado 1QS-Geräte bei 120 V AC, 34 Geräte bei 208 V AC, oder 37 Geräte bei 230 V AC in Serie schalten. Diese Anzahl niemals überschreiten! Stromkabel für die Serienschaltung können separat erworben werden.

Wechselstromstecker

Anschluss	Draht (USA)	Draht (Europa)	Schraubenfarbe
Stromführender AC-Leiter	Schwarz	Braun	Gelb/Messingfarben
AC-Neutralleiter	Weiß	Blau	Silber
AC-Erdungsleiter	Grün/Gelb	Grün/Gelb	Grün



- **Um unnötigen Verschleiß zu vermeiden und die Lebensdauer des Geräts zu verlängern, trennen Sie während längerer Perioden des Nichtgebrauchs das Gerät vom Stromnetz – entweder per Trennschalter oder durch Herausziehen des Steckers aus der Steckdose.**
- **Vergewissern Sie sich bei einer Verwendung dieses Geräts im Außenbereich, in der die Schutzart IP65 erforderlich ist, dass Stromkabel der Schutzart IP65 (oder höher) verwendet werden und nicht genutzte Anschlüsse mit den angebrachten Abdeckungen der Schutzart IP65 gesichert werden.**

DMX-Verbindung

Der COLORado 1QS kann mit einem DMX-Controller betrieben werden, wenn eine 5-polige DMX-Serienschaltung zum Einsatz kommt. Sie können sich eine Einführung in DMX unter www.chauvetprofessional.com herunterladen.

DMX-Anschluss

Der COLORado 1QS nutzt zur Steuerung seiner DMX-Eigenschaften eine drahtlose DMX-Verbindung oder eine 5-polige DMX-Datenverbindung: **HSIC, SSP, TOUR, TR16** und **STD.Y**. Informationen zum Anschließen und Konfigurieren des Geräts für einen DMX-Betrieb finden Sie in der Bedienungsanleitung.

Master/Slave-Schaltung

Der COLORado 1QS verwendet für seinen Master/Slave-Modus eine DMX-Datenverbindung. Informationen zum Anschließen und Konfigurieren des Geräts für einen Master/Slave-Betrieb finden Sie in der Bedienungsanleitung.

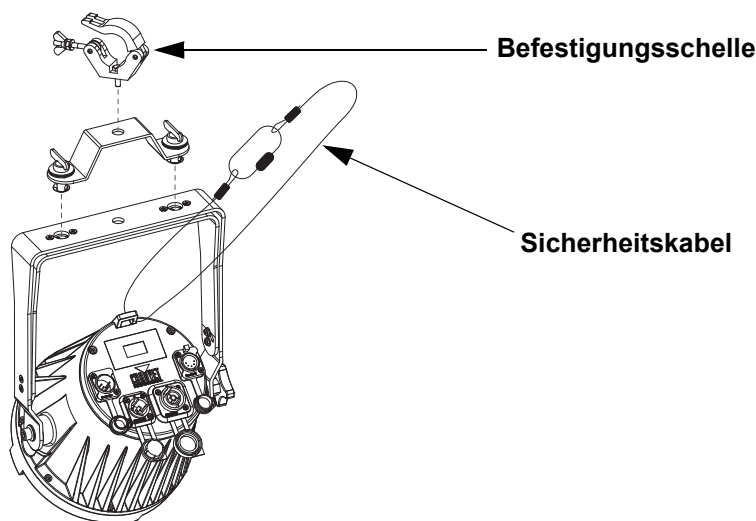
RDM (Remote Device Management)

Remote Device Management bzw. RDM ist ein Standard, mit dem DMX-aktivierte Geräte bidirektional entlang bestehender DMX-Kabel kommunizieren können. Lesen Sie die Bedienungsanleitung des DMX-Controllers oder wenden Sie sich an den Hersteller, da nicht alle DMX-Controller über diese Funktion verfügt. Der COLORado 1QS unterstützt das RDM-Protokoll, das ein Feedback zur Vornahme von Änderungen der Menüoptionen erlaubt. Laden Sie für weiterführende Informationen unter www.chauvetprofessional.com das Benutzerhandbuch herunter.

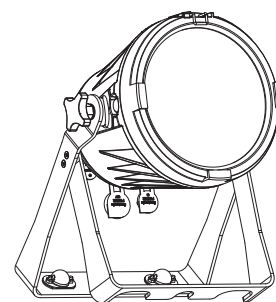
Montage

Lesen Sie vor der Montage dieses Geräts die [Sicherheitshinweise](#) durch. Stellen Sie sicher, dass die Befestigungsklemmen dafür ausgelegt sind, das Produktgewicht tragen zu können. Informationen zu unserer CHAUVET-Produktlinie für Befestigungsklemmen finden Sie unter <http://trusst.com/productcategory/truss-clamps/>.

Montageansicht



Montage über Kopf



Oberflächenmontage

Beschreibung des Bedienfeldes

Taste	Funktion
<MENU>	Damit verlassen Sie das aktuelle Menü oder die Funktion.
<ENTER>	Damit wird das aktuell angezeigte Menü aktiviert oder der aktuell ausgewählte Wert einer Funktion eingestellt.
<UP>	Damit navigieren Sie sich durch die Menüpunkte nach oben oder erhöhen den numerischen Wert der entsprechenden Funktion.
<DOWN>	Damit navigieren Sie sich durch die Menüpunkte nach unten oder verringern den numerischen Wert der entsprechenden Funktion.

Sicherheitscode

Geben Sie nach der entsprechenden Aufforderung den folgenden Sicherheitscode ein, indem Sie diese Tasten betätigen: <UP>, <DOWN>, <UP>, <DOWN>, <ENTER>.

Dieser Sicherheitscode kann nicht geändert werden und ist nach entsprechender Aufforderung immer zu verwenden.

Menüstruktur

Hauptebene	Programmirebenen			Beschreibung	
STATIC	RED	RED	000–255	Kombiniert rote, grüne, blaue und weiße Farben zu einer benutzerdefinierten Farbe	
	GREEN	GREEN	000–255		
	BLUE	BLUE	000–255		
	WHITE	WHITE	000–255		
	STROBE	STROBE	0–25	Legt die Stroboskop-Frequenz fest (0–25 Hz)	
ADDRESS	1–506*			Wählt die DMX-Adresse aus (der höchste Kanal ist auf die gewählte Eigenschaft beschränkt)	
AUTO PROGRAM	AUTO1–10	PROGRAM1–10	SPEED 0–255	Wählt das Auto-Programm und die Programm-Geschwindigkeit aus	
RUN MODE	DMX			DMX-Modus (Master)	
	SLAVE			Slave-Modus	
PERSONALITY	HSIC			7-Kanal: Dimmer, 16-Bit Farbton, Farbsättigung, Farbtemperatur, Stroboskopeffekt, Dimmer Geschwindigkeit	
	SSP			7-Kanal: Dimmer, RGBW, Stroboskopeffekt, Dimmer Geschwindigkeit	
	TOUR			10-Kanal: Dimmer, RGBW, Farbmakro, Stroboskopeffekt, Auto-Programme und Geschwindigkeit, Dimmer Geschwindigkeit	
	TR16			15-Kanal: 16-Bit Dimmer, 16-Bit RGBW, Farbmakro, Stroboskopeffekt, Auto-Programme und Geschwindigkeit, Dimmer Geschwindigkeit	
	STD.Y			15-Kanal: 16-Bit Dimmer, 16-Bit RGBW, Farbmakro, Stroboskopeffekt, Auto-Programme und Geschwindigkeit, Dimmer Geschwindigkeit	
EDIT	PROGRAM 01–10	SCENE 01–30	RED	0–255	Kombiniert rote, grüne, blaue und weiße Farben zu einer benutzerdefinierten Farbe
			GREEN	0–255	
			BLUE	0–255	
			WHITE	0–255	
			STROBE	0–25	Legt die Stroboskop-Frequenz fest (0–25 Hz)
			TIME	0–255	Legt die Schrittdauer fest (kurz bis lang)
			FADE	0–255*	Legt die Blendgeschwindigkeit fest (langsam bis schnell) (*Bereich wird durch die TIME -Einstellung bestimmt)

Hauptebene	Programmirebenen			Beschreibung	
SETTING	UPLOAD	**** (Enter Passcode)	SEND	Lädt benutzerdefinierte Programme auf andere COLORado 1QS-Produkte hoch	
	RESET	**** (Enter Passcode)		Damit stellen Sie das Gerät auf die Werkseinstellungen zurück	
	DIMMER	OFF		Linear dimmer	
		DIM1–4		Dimmungskurven DIM1 (schnell) nach DIM4 (langsam)	
	DMX ERROR	SAVE		Geht bei Verlust der DMX-Steuerung mit dem letzten Befehl weiter	
		BLACK		Verdunkelung bei Verlust von DMX aus	
	PWM	600Hz	X FINE Y FINE	+/-200	Stellt die PWM-Frequenz ein
		1200Hz			
		2000Hz			
		2400Hz			
		6000Hz			
		18000Hz			
25000Hz					
FULL POWER CCT	WARM WHITE			Stellt die Farbtemperatur ein, wenn LED-Leistung 100% beträgt	
	NEUTRAL WHITE				
	COOL WHITE				
	NORMAL				Manuelle Farbtemperatur
XY OFFSET	HIDE			Zeigt oder versteckt XY-Einstellungen in PWM-Menüoptionen	
	SHOW				
KEY	ON			Damit wird die Anzeige gesperrt (Passwort lautet <UP>, <DOWN>, <UP>, <DOWN>, <ENTER>)	
	OFF				
CALIB.C	**** (Enter Passcode)	WHITE-01–13	X FINE Y FINE	+/-200	Ändert die voreingestellten Farbtemperaturen
INFO	VERSION	V_._			Zeigt die aktuelle Firmware-Version an
	RDM	UID	-----		Zeigt die Geräte-UID an
		LABEL	COLORado 1 QS		Zeigt den Produktnamen für RDM an

DMX-Werte

STD.Y (15 Kanäle)

Kanal	Funktion	Wert	Prozent/Einstellung
1	Dimmer	000 ⇔ 255	0–100%
2	Feine Dimmer (wenn K. 13 von 000 ⇔ 140 reicht)	000 ⇔ 255	Feinkontrolle (16-Bit)
	Schrittdauer (wenn K. 13 von 141 ⇔ 255 reicht)	000 ⇔ 255	Benutzerdefiniertes automatisches Programm Schrittdauer, kurz bis lang
3	Rot (wenn K. 13 von 000 ⇔ 140 reicht)	000 ⇔ 255	0–100%
	Blendgeschwindigkeit (wenn K. 13 von 141 ⇔ 255 reicht)	000 ⇔ 255	Benutzerdefiniertes automatisches Programm Blendgeschwindigkeit, langsam bis schnell
4	Fein rot	000 ⇔ 255	Feinkontrolle (16-Bit)
5	Grün	000 ⇔ 255	0–100%
6	Fein grün	000 ⇔ 255	Feinkontrolle (16-Bit)
7	Blau	000 ⇔ 255	0–100%
8	Fein blau	000 ⇔ 255	Feinkontrolle (16-Bit)
9	Weiß	000 ⇔ 255	0–100%
10	Fein weiß	000 ⇔ 255	Feinkontrolle (16-Bit)

Kanal	Funktion	Wert	Prozent/Einstellung
11	Farbmakro	000 ⇔ 010	Keine Funktion
		011 ⇔ 030	Rot: 100% Grün: 0–100% Blau: 0% Weiß: 0%
		031 ⇔ 050	Rot: 100–0% Grün: 100% Blau: 0% Weiß: 0%
		051 ⇔ 070	Rot: 0% Grün: 100% Blau: 0–100% Weiß: 0%
		071 ⇔ 090	Rot: 0% Grün: 100–0% Blau: 100% Weiß: 0%
		091 ⇔ 110	Rot: 0–100% Grün: 0% Blau: 100% Weiß: 0%
		111 ⇔ 130	Rot: 100% Grün: 0% Blau: 100–0% Weiß: 0%
		131 ⇔ 150	Rot: 100% Grün: 0–100% Blau: 0–100% Weiß: 0%
		151 ⇔ 170	Rot: 100–0% Grün: 100–0% Blau: 100% Weiß: 0%
		171 ⇔ 195	Rot: 100% Grün: 100% Blau: 100% Weiß: 100%
		196 ⇔ 200	Weiß 1
		201 ⇔ 205	Weiß 2
		206 ⇔ 210	Weiß 3
		211 ⇔ 215	Weiß 4
		216 ⇔ 220	Weiß 5
		221 ⇔ 225	Weiß 6
		226 ⇔ 230	Weiß 7
		231 ⇔ 235	Weiß 8
		236 ⇔ 240	Weiß 9
		241 ⇔ 245	Weiß 10
		246 ⇔ 250	Weiß 11
		251 ⇔ 255	Weiß 12
		12	Stroboskop
010 ⇔ 099	Stroboskop, von langsam nach schnell		
100 ⇔ 109	Keine Funktion		
110 ⇔ 179	Blitzeffekt, langsam nach schnell		
180 ⇔ 189	Keine Funktion		
190 ⇔ 255	Zufalls-Stroboskop, langsam nach schnell		
13	Automatische Programme	000 ⇔ 040	Keine Funktion
		041 ⇔ 050	Automatisches Programm 1
		051 ⇔ 060	Automatisches Programm 2
		061 ⇔ 070	Automatisches Programm 3
		071 ⇔ 080	Automatisches Programm 4
		081 ⇔ 090	Automatisches Programm 5
		091 ⇔ 100	Automatisches Programm 6
		101 ⇔ 110	Automatisches Programm 7
		111 ⇔ 120	Automatisches Programm 8
		121 ⇔ 130	Automatisches Programm 9
		131 ⇔ 140	Automatisches Programm 10
		141 ⇔ 150	Benutzerdefiniertes automatisches Programm 1
		151 ⇔ 160	Benutzerdefiniertes automatisches Programm 2
		161 ⇔ 170	Benutzerdefiniertes automatisches Programm 3
		171 ⇔ 180	Benutzerdefiniertes automatisches Programm 4
		181 ⇔ 190	Benutzerdefiniertes automatisches Programm 5
191 ⇔ 200	Benutzerdefiniertes automatisches Programm 6		
201 ⇔ 210	Benutzerdefiniertes automatisches Programm 7		
211 ⇔ 220	Benutzerdefiniertes automatisches Programm 8		
221 ⇔ 230	Benutzerdefiniertes automatisches Programm 9		
231 ⇔ 255	Benutzerdefiniertes automatisches Programm 10		
14	Programmgeschwindigkeit	000 ⇔ 255	Automatische Programmgeschwindigkeit, langsam bis schnell
15	Dimmergeschwindigkeit	000 ⇔ 009	Dimmergeschwindigkeit von Anzeige eingestellt
		010 ⇔ 029	Dimmer-Geschwindigkeits-Modus aus
		030 ⇔ 069	Dimmer-Geschwindigkeits-Modus 1 (schnellste)
		070 ⇔ 129	Dimmer-Geschwindigkeits-Modus 2
		130 ⇔ 189	Dimmer-Geschwindigkeits-Modus 3
		190 ⇔ 255	Dimmer-Geschwindigkeits-Modus 4 (langsamste)

TR16 (15 Kanäle)

Kanal	Funktion	Wert	Prozent/Einstellung
1	Dimmer	000 ⇔ 255	0–100%
2	Feine Dimmer (wenn K. 13 von 000 ⇔ 140 reicht)	000 ⇔ 255	Feinkontrolle (16-Bit)
	Schrittdauer (wenn K. 13 von 141 ⇔ 255 reicht)	000 ⇔ 255	Benutzerdefiniertes automatisches Programm Schrittdauer, kurz bis lang
3	Rot (wenn K. 13 von 000 ⇔ 140 reicht)	000 ⇔ 255	0–100%
	Blendgeschwindigkeit (wenn K. 13 von 141 ⇔ 255 reicht)	000 ⇔ 255	Benutzerdefiniertes automatisches Programm Blendgeschwindigkeit, langsam bis schnell
4	Fein rot	000 ⇔ 255	Feinkontrolle (16-Bit)
5	Grün	000 ⇔ 255	0–100%
6	Fein grün	000 ⇔ 255	Feinkontrolle (16-Bit)
7	Blau	000 ⇔ 255	0–100%
8	Fein blau	000 ⇔ 255	Feinkontrolle (16-Bit)
9	Weiß	000 ⇔ 255	0–100%
10	Fein weiß	000 ⇔ 255	Feinkontrolle (16-Bit)
11	Farbmakro	000 ⇔ 010	Keine Funktion
		011 ⇔ 030	Rot: 100% Grün: 0–100% Blau: 0% Weiß: 0%
		031 ⇔ 050	Rot: 100–0% Grün: 100% Blau: 0% Weiß: 0%
		051 ⇔ 070	Rot: 0% Grün: 100% Blau: 0–100% Weiß: 0%
		071 ⇔ 090	Rot: 0% Grün: 100–0% Blau: 100% Weiß: 0%
		091 ⇔ 110	Rot: 0–100% Grün: 0% Blau: 100% Weiß: 0%
		111 ⇔ 130	Rot: 100% Grün: 0% Blau: 100–0% Weiß: 0%
		131 ⇔ 150	Rot: 100% Grün: 0–100% Blau: 0–100% Weiß: 0%
		151 ⇔ 170	Rot: 100–0% Grün: 100–0% Blau: 100% Weiß: 0%
		171 ⇔ 195	Rot: 100% Grün: 100% Blau: 100% Weiß: 100%
		196 ⇔ 200	Weiß 1
		201 ⇔ 205	Weiß 2
		206 ⇔ 210	Weiß 3
		211 ⇔ 215	Weiß 4
		216 ⇔ 220	Weiß 5
		221 ⇔ 225	Weiß 6
		226 ⇔ 230	Weiß 7
231 ⇔ 235	Weiß 8		
236 ⇔ 240	Weiß 9		
241 ⇔ 245	Weiß 10		
246 ⇔ 250	Weiß 11		
251 ⇔ 255	Weiß 12		
12	Stroboskop	000 ⇔ 009	Keine Funktion
		010 ⇔ 099	Stroboskop, von langsam nach schnell
		100 ⇔ 109	Keine Funktion
		110 ⇔ 179	Blitzeffekt, langsam nach schnell
		180 ⇔ 189	Keine Funktion
		190 ⇔ 255	Zufalls-Stroboskop, langsam nach schnell

Kanal	Funktion	Wert	Prozent/Einstellung
13	Automatische Programme	000 ⇔ 040	Keine Funktion
		041 ⇔ 050	Automatisches Programm 1
		051 ⇔ 060	Automatisches Programm 2
		061 ⇔ 070	Automatisches Programm 3
		071 ⇔ 080	Automatisches Programm 4
		081 ⇔ 090	Automatisches Programm 5
		091 ⇔ 100	Automatisches Programm 6
		101 ⇔ 110	Automatisches Programm 7
		111 ⇔ 120	Automatisches Programm 8
		121 ⇔ 130	Automatisches Programm 9
		131 ⇔ 140	Automatisches Programm 10
		141 ⇔ 150	Benutzerdefiniertes automatisches Programm 1
		151 ⇔ 160	Benutzerdefiniertes automatisches Programm 2
		161 ⇔ 170	Benutzerdefiniertes automatisches Programm 3
		171 ⇔ 180	Benutzerdefiniertes automatisches Programm 4
		181 ⇔ 190	Benutzerdefiniertes automatisches Programm 5
		191 ⇔ 200	Benutzerdefiniertes automatisches Programm 6
		201 ⇔ 210	Benutzerdefiniertes automatisches Programm 7
		211 ⇔ 220	Benutzerdefiniertes automatisches Programm 8
		221 ⇔ 230	Benutzerdefiniertes automatisches Programm 9
231 ⇔ 255	Benutzerdefiniertes automatisches Programm 10		
14	Programmgeschwindigkeit	000 ⇔ 255	Automatische Programmgeschwindigkeit, langsam bis schnell
15	Dimmergeschwindigkeit	000 ⇔ 009	Dimmergeschwindigkeit von Anzeige eingestellt
		010 ⇔ 029	Dimmer-Geschwindigkeits-Modus aus
		030 ⇔ 069	Dimmer-Geschwindigkeits-Modus 1 (schnellste)
		070 ⇔ 129	Dimmer-Geschwindigkeits-Modus 2
		130 ⇔ 189	Dimmer-Geschwindigkeits-Modus 3
		190 ⇔ 255	Dimmer-Geschwindigkeits-Modus 4 (langsamste)

TOUR (10 Kanäle)

Kanal	Funktion	Wert	Prozent/Einstellung
1	Dimmer	000 ⇔ 255	0–100%
2	Rot (wenn K. 8 von 000 ⇔ 140 reicht)	000 ⇔ 255	0–100%
	Schrittdauer (wenn K. 8 von 141 ⇔ 255 reicht)	000 ⇔ 255	Benutzerdefiniertes automatisches Programm Schrittdauer, kurz bis lang
3	Grün (wenn K. 8 von 000 ⇔ 140 reicht)	000 ⇔ 255	0–100%
	Blendgeschwindigkeit (wenn K. 8 von 141 ⇔ 255 reicht)	000 ⇔ 255	Benutzerdefiniertes automatisches Programm Blendgeschwindigkeit, langsam bis schnell
4	Blau	000 ⇔ 255	0–100%
5	Weiß	000 ⇔ 255	0–100%

Kanal	Funktion	Wert	Prozent/Einstellung
6	Farbmakro	000 ⇔ 010	Keine Funktion
		011 ⇔ 030	Rot: 100% Grün: 0–100% Blau: 0% Weiß: 0%
		031 ⇔ 050	Rot: 100–0% Grün: 100% Blau: 0% Weiß: 0%
		051 ⇔ 070	Rot: 0% Grün: 100% Blau: 0–100% Weiß: 0%
		071 ⇔ 090	Rot: 0% Grün: 100–0% Blau: 100% Weiß: 0%
		091 ⇔ 110	Rot: 0–100% Grün: 0% Blau: 100% Weiß: 0%
		111 ⇔ 130	Rot: 100% Grün: 0% Blau: 100–0% Weiß: 0%
		131 ⇔ 150	Rot: 100% Grün: 0–100% Blau: 0–100% Weiß: 0%
		151 ⇔ 170	Rot: 100–0% Grün: 100–0% Blau: 100% Weiß: 0%
		171 ⇔ 195	Rot: 100% Grün: 100% Blau: 100% Weiß: 100%
		196 ⇔ 200	Weiß 1
		201 ⇔ 205	Weiß 2
		206 ⇔ 210	Weiß 3
		211 ⇔ 215	Weiß 4
		216 ⇔ 220	Weiß 5
		221 ⇔ 225	Weiß 6
		226 ⇔ 230	Weiß 7
		231 ⇔ 235	Weiß 8
		236 ⇔ 240	Weiß 9
		241 ⇔ 245	Weiß 10
246 ⇔ 250	Weiß 11		
251 ⇔ 255	Weiß 12		
7	Stroboskop	000 ⇔ 009	Keine Funktion
		010 ⇔ 099	Stroboskop, von langsam nach schnell
		100 ⇔ 109	Keine Funktion
		110 ⇔ 179	Blitzeffekt, langsam nach schnell
		180 ⇔ 189	Keine Funktion
		190 ⇔ 255	Zufalls-Stroboskop, langsam nach schnell
8	Automatische Programme	000 ⇔ 040	Keine Funktion
		041 ⇔ 050	Automatisches Programm 1
		051 ⇔ 060	Automatisches Programm 2
		061 ⇔ 070	Automatisches Programm 3
		071 ⇔ 080	Automatisches Programm 4
		081 ⇔ 090	Automatisches Programm 5
		091 ⇔ 100	Automatisches Programm 6
		101 ⇔ 110	Automatisches Programm 7
		111 ⇔ 120	Automatisches Programm 8
		121 ⇔ 130	Automatisches Programm 9
		131 ⇔ 140	Automatisches Programm 10
		141 ⇔ 150	Benutzerdefiniertes automatisches Programm 1
		151 ⇔ 160	Benutzerdefiniertes automatisches Programm 2
		161 ⇔ 170	Benutzerdefiniertes automatisches Programm 3
		171 ⇔ 180	Benutzerdefiniertes automatisches Programm 4
		181 ⇔ 190	Benutzerdefiniertes automatisches Programm 5
191 ⇔ 200	Benutzerdefiniertes automatisches Programm 6		
201 ⇔ 210	Benutzerdefiniertes automatisches Programm 7		
211 ⇔ 220	Benutzerdefiniertes automatisches Programm 8		
221 ⇔ 230	Benutzerdefiniertes automatisches Programm 9		
231 ⇔ 255	Benutzerdefiniertes automatisches Programm 10		
9	Programmgeschwindigkeit	000 ⇔ 255	Automatische Programmgeschwindigkeit, langsam bis schnell
10	Dimmergeschwindigkeit	000 ⇔ 009	Dimmergeschwindigkeit von Anzeige eingestellt
		010 ⇔ 029	Dimmer-Geschwindigkeits-Modus aus
		030 ⇔ 069	Dimmer-Geschwindigkeits-Modus 1 (schnellste)
		070 ⇔ 129	Dimmer-Geschwindigkeits-Modus 2
		130 ⇔ 189	Dimmer-Geschwindigkeits-Modus 3
		190 ⇔ 255	Dimmer-Geschwindigkeits-Modus 4 (langsamste)

SSP (7 Kanäle)

Kanal	Funktion	Wert	Prozent/Einstellung
1	Dimmer	000 ⇔ 255	0–100%
2	Rot	000 ⇔ 255	0–100%
3	Grün	000 ⇔ 255	0–100%
4	Blau	000 ⇔ 255	0–100%
5	Weiß	000 ⇔ 255	0–100%
6	Stroboskop	000 ⇔ 009	Keine Funktion
		010 ⇔ 099	Stroboskop, von langsam nach schnell
		100 ⇔ 109	Keine Funktion
		110 ⇔ 179	Blitzeffekt, langsam nach schnell
		180 ⇔ 189	Keine Funktion
		190 ⇔ 255	Zufalls-Stroboskop, langsam nach schnell
7	Dimmergeschwindigkeit	000 ⇔ 009	Dimmergeschwindigkeit von Anzeige eingestellt
		010 ⇔ 029	Dimmer-Geschwindigkeits-Modus aus
		030 ⇔ 069	Dimmer-Geschwindigkeits-Modus 1 (schnellste)
		070 ⇔ 129	Dimmer-Geschwindigkeits-Modus 2
		130 ⇔ 189	Dimmer-Geschwindigkeits-Modus 3
		190 ⇔ 255	Dimmer-Geschwindigkeits-Modus 4 (langsamste)

HSIC (7 Kanäle)

Kanal	Funktion	Wert	Prozent/Einstellung
1	Dimmer	000 ⇔ 255	0–100%
2	Farbton	000 ⇔ 255	0–100%
3	Feine Farbton	000 ⇔ 255	Feinkontrolle (16-Bit)
4	Farbsättigung	000 ⇔ 255	0–100%
5	Farbtemperatur	000 ⇔ 010	Keine Funktion
		011 ⇔ 030	Weiß
		031 ⇔ 050	Weiß
		051 ⇔ 070	Weiß
		071 ⇔ 090	Weiß
		091 ⇔ 110	Weiß
		111 ⇔ 130	Weiß
		131 ⇔ 150	Weiß
		151 ⇔ 170	Weiß
		171 ⇔ 190	Weiß
		191 ⇔ 210	Weiß
		211 ⇔ 230	Weiß
		231 ⇔ 255	Weiß
6	Stroboskop	000 ⇔ 009	Keine Funktion
		010 ⇔ 099	Stroboskop, von langsam nach schnell
		100 ⇔ 109	Keine Funktion
		110 ⇔ 179	Blitzeffekt, langsam nach schnell
		180 ⇔ 189	Keine Funktion
		190 ⇔ 255	Zufalls-Stroboskop, langsam nach schnell
7	Dimmergeschwindigkeit	000 ⇔ 009	Dimmergeschwindigkeit von Anzeige eingestellt
		010 ⇔ 029	Dimmer-Geschwindigkeits-Modus aus
		030 ⇔ 069	Dimmer-Geschwindigkeits-Modus 1 (schnellste)
		070 ⇔ 129	Dimmer-Geschwindigkeits-Modus 2
		130 ⇔ 189	Dimmer-Geschwindigkeits-Modus 3
		190 ⇔ 255	Dimmer-Geschwindigkeits-Modus 4 (langsamste)

Over deze handleiding

De COLORado 1QS Beknopte Handleiding (BH) bevat basisinformatie over het product, zoals aansluiting, montage, menu-opties en DMX-waarden. Download de gebruikershandleiding op www.chauvetprofessional.com voor meer informatie.

Disclaimer

De informatie en specificaties in deze BH kunnen zonder voorafgaande kennisgeving worden gewijzigd.

BEPERKTE GARANTIE

GA NAAR ONZE WEBSITE VOOR REGISTRATIE VAN DE GARANTIE EN DE VOLLEDIGE ALGEMENE VOORWAARDEN.

Voor klanten in de Verenigde Staten en Mexico: www.chauvetlighting.com/warranty-registration.

Voor klanten in het Verenigd Koninkrijk, Ierland, België, Nederland, Luxemburg, Frankrijk en Duitsland: www.chauvetlighting.eu/warranty-registration.

Chauvet garandeert dat dit product bij normaal gebruik vrij zal blijven van defecten in materiaal en vakmanschap, voor de opgegeven periode en onder voorbehoud van de uitzonderingen en beperkingen die zijn uiteengezet in de volledige beperkte garantie op onze website. Deze garantie geldt uitsluitend voor de oorspronkelijke koper van het product en is niet overdraagbaar. Om onder deze garantie rechten uit te oefenen, moet u een aankoopbewijs overleggen in de vorm van een origineel verkoopbewijs van een geautoriseerde dealer, waarop de naam van het product en de aankoopdatum zichtbaar zijn. ER ZIJN GEEN ANDERE EXPLICIETE OF IMPLICIETE GARANTIES. Deze garantie geeft u specifieke wettelijke rechten. Mogelijk heeft u ook andere rechten die van staat tot staat en van land tot land verschillen. Deze garantie is uitsluitend geldig in de Verenigde Staten, het Verenigd Koninkrijk, Ierland, België, Nederland, Luxemburg, Frankrijk, Duitsland en Mexico. Neem contact op met uw lokale verkoper voor garantievoorwaarden in andere landen.

Veiligheidsinstructies

- Open het product NIET. Het bevat geen te onderhouden onderdelen.
- Om onnodige slijtage te elimineren en zijn levensduur te verlengen, gedurende perioden wanneer het product niet wordt gebruikt, moet u het product van de stroom afsluiten door een aardlekschakelaar om te zetten of door het te ontkoppelen.
- KIJK NIET in de lichtbron wanneer het apparaat is ingeschakeld.
- LET OP: De behuizing van dit product kan heet zijn wanneer het in bedrijf is.
- Monteer dit product op een plek met voldoende ventilatie, ten minste 50 cm van de aangrenzende oppervlakken.
- Plaats geen ontvlambaar materiaal binnen 50 cm van dit product als het in gebruik is of is aangesloten op het stopcontact.
- LET OP: Bij het verplaatsen van het product uit extreme omgevingen, (bijv. koude vrachtwagen naar warme, vochtige balzaal) kan er condensvorming optreden op de elektronica van het product. Om storingen te vermijden moet het product volledig kunnen acclimatiseren aan de omgeving voordat het op stroom wordt aangesloten.
- Niet voor permanente buiteninstallatie in locaties met extreme weersomstandigheden. Dit is met inbegrip van, maar niet beperkt tot:
 - Blootstelling aan een marien/zout milieu (binnen 5 km van zout water).
 - Waar de gebruikelijke hoge of lage temperaturen van de locatie de temperatuurbereiken in deze handleiding overschrijden.
 - Locaties die kunnen overstromen of onder sneeuw begraven kunnen worden.
 - Andere gebieden waar het product blootstaat aan extreme straling of bijtende substanties.
- GEBRUIK een veiligheidskabel bij het boven het hoofd plaatsen van dit product.
- Dit product NIET onderdompelen (IP65). Regelmatig gebruik buitenshuis is prima.
- Gebruik dit product NIET als de behuizing, lenzen of kabels beschadigd lijken.
- Sluit dit product NIET aan op een dimmer of een regelweerstand.
- Sluit dit product UITSLUITEND op een geaard en beveiligd stroomcircuit.
- Gebruik UITSLUITEND de ophang-/montagebeugel om dit product te dragen.
- Stop in het geval van ernstige operationele problemen onmiddellijk met het gebruik.
- De maximale omgevingstemperatuur bedraagt 45 °C. Gebruik dit product niet bij hogere temperaturen.
- De minimale opstarttemperatuur is -20° C. Start het product niet op bij lagere temperaturen.
- De minimale omgevingstemperatuur is -30 °C. Gebruik het product niet bij lagere temperaturen.

FCC-naleving

Dit apparaat voldoet aan Part 15 Part B van de FCC-regels. Het gebruik is onderworpen aan de volgende twee voorwaarden:

1. Dit apparaat mag geen schadelijke interferentie veroorzaken, en
2. Dit apparaat moet enige ontvangen interferentie accepteren, inclusief interferentie die een ongewenste werking kan veroorzaken.

Eventuele wijzigingen of aanpassingen die niet uitdrukkelijk door de voor naleving verantwoordelijke partij zijn goedgekeurd, kan de bevoegdheid van de gebruiker om de apparatuur te bedienen ongeldig verklaren.

Contact

Van buiten de VS, Verenigd Koninkrijk, Ierland, Benelux, Frankrijk, Duitsland of Mexico kunt u contact opnemen met de distributeur of om ondersteuning vragen dan wel het product retourneren. Raadpleeg [Contact Us](#) aan het einde van deze BH voor contactinformatie.

Wat is inbegrepen

- COLORado 1QS
- Seetronic Powerkon IP65 stroomsnoer
- Gel frame
- Omegabeugel
- Beknopte handleiding

AC-stroom

Dit product heeft een voeding met automatisch bereik die werkt met een ingangsspanning van 100–240 VAC, 50/60 Hz.

Power Linking

U kunt tot 21 COLORado 1QS-producten koppelen bij 120 V, 34 COLORado 1QS-producten koppelen bij 208 V, of 37 producten bij 230 V. Dit aantal niet overschrijden. Power Linking-snoeren kunnen apart aangeschaft worden.

AC-stekker

Aansluiting	Snoer (VS)	Snoer (Europa)	Schroefkleur
AC Live	Zwart	Bruin	Geel/messing
AC Neutraal	Wit	Blauw	Zilver
AC Aarde	Groen/geel	Groen/geel	Groen



- Om onnodige slijtage te elimineren en zijn levensduur te verlengen, gedurende perioden wanneer het product niet wordt gebruikt, moet u het product van de stroom afsluiten door een aardlekschakelaar om te zetten of door het te ontkoppelen.
- Wanneer dit product buiten wordt gebruikt moeten stroom- en gegevenskabels met een IP65-certificering (of hoger) worden gebruikt. Zorg ervoor dat ongebruikte stroom- en gegevenspoorten worden afgesloten met de aangehechte IP65-afdekkingen.

DMX-koppeling

De COLORado 1QS kan met een DMX-controller werken met een 5-pins DMX seriële verbinding. Op www.chauvetprofessional.com is een DMX basishandleiding verkrijgbaar.

DMX-aansluiting

De COLORado 1QS gebruikt een normale of een draadloze DMX-gegevensverbinding voor zijn DMX-persoonlijkheden: **HSIC, SSP, TOUR, TR16, en STD.Y**. Zie de gebruikershandleiding om te verbinden en te configureren voor DMX-werking.

Master/slave-verbinding

De COLORado 1QS maakt gebruik van de DMX-dataverbinding voor haar Master-/Slave-modus. Zie de gebruikershandleiding om te verbinden en te configureren voor Master/Slave-werking.

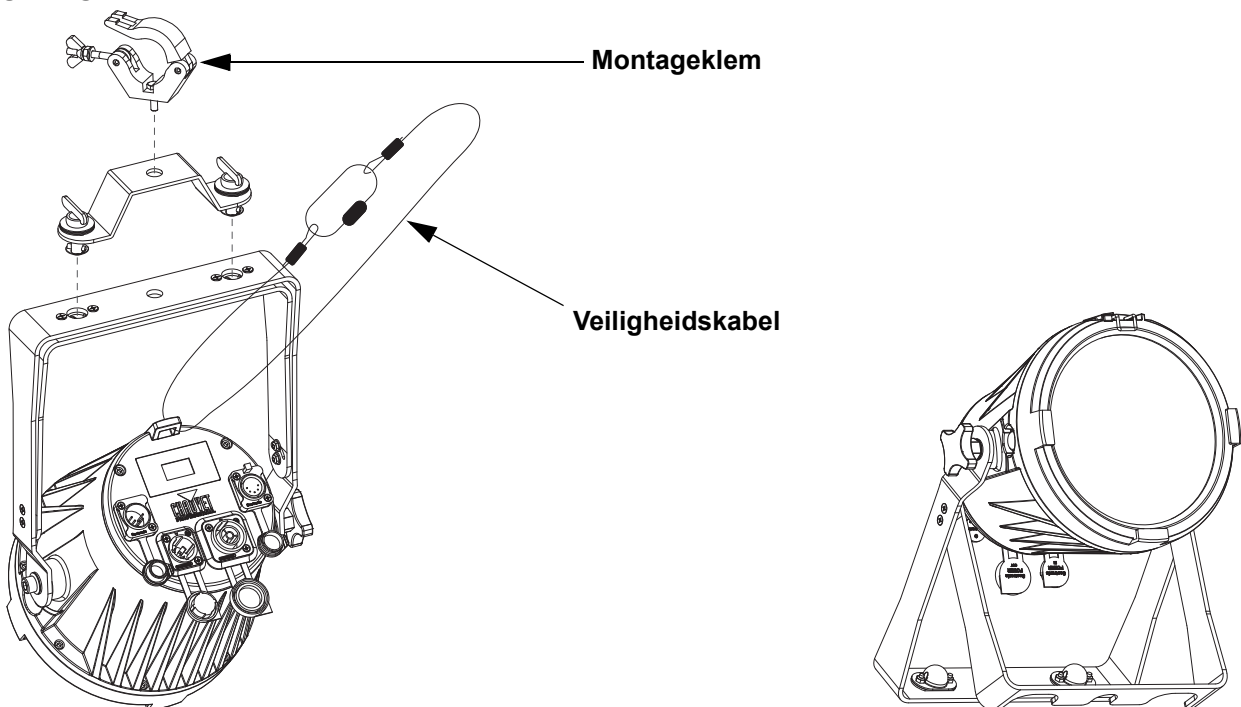
RDM (apparaatbeheer op afstand)

Remote Device Management of RDM (apparaatbeheer op afstand) is een standaard die het voor DMX-apparaten mogelijk maakt om in twee richtingen te communiceren over bestaande DMX-kabels. De COLORado 1QS ondersteunt het RDM-protocol dat zorgt feedback toelaat bij de bewaking van wijzigingen aan de menu map-opties van. Download de gebruikershandleiding op www.chauvetprofessional.com voor meer informatie.

Montage

Lees alvorens dit product te monteren alle [Veiligheidsinstructies](#). Controleer of de montageklem het gewicht van het product kan dragen. Ga voor onze Chauvet-serie montageklemmen naar <http://trusst.com/productcategory/truss-clamps/>.

Montagediagram van het product



Montage boven het hoofd

Plaatsing op de vloer

Beschrijving bedieningspaneel

Toets	Functie
<MENU>	Sluit het huidige menu of functie af
<ENTER>	Activeert het huidige getoonde menu of plaatst de huidige geselecteerde waarde in de geselecteerde functie
<UP>	Navigeert omhoog via het menu of verhoogt de numerieke waarde wanneer in een functie
<DOWN>	Navigeert omlaag via het menu of verlaagt de numerieke waarde wanneer in een functie

Toegangscode

Vul na dat gevraagd te worden de volgende toegangscode in door te drukken op: <UP>, <DOWN>, <UP>, <DOWN>, <ENTER>. Dit toegangscode kan niet gewijzigd worden en moet indien gevraagd ingevuld worden.

Menumap

Hoofdniveau	Programmeerniveaus			Beschrijving	
STATIC	RED	RED	000–255	Combineert rood, groen, blauw en wit om een aangepaste kleur te genereren	
	GREEN	GREEN	000–255		
	BLUE	BLUE	000–255		
	WHITE	WHITE	000–255		
	STROBE	STROBE	0–25	Stelt de stroboscoopfrequentie in (0–25 Hz)	
ADDRESS	1–506*			Selecteert het start-adres (hoogste kanaal beperkt tot de gekozen persoonlijkheid)	
AUTO PROGRAM	AUTO1–10	SPEED 0–255		Selecteert automatische programma's en automatische programmasnelheid	
	PROGRAM1–10				
RUN MODE	DMX			DMX-modus (Master)	
	SLAVE			Slave-modus	
PERSONALITY	HSIC			7-kanaals: dimmer, 16-bits tint, verzadiging, kleurtemperatuur, stroboscoop, dimmer snelheid	
	SSP			7-kanaals: dimmer, RGBW, stroboscoop, dimmer snelheid	
	TOUR			10-kanaals: dimmer, RGBW, kleurmacro, stroboscoop, automatische programma's en snelheid, dimmer snelheid	
	TR16			15-kanaals: 16-bits dimmer, 16-bits RGBW, kleurmacro, stroboscoop, automatische programma's en snelheid, dimmer snelheid	
	STD.Y			15-kanaals: 16-bits dimmer, 16-bits RGBW, kleurmacro, stroboscoop, automatische programma's en snelheid, dimmer snelheid	
EDIT	PROGRAM 01–10	SCENE 01–30	RED	0–255	Combineert rood, groen, blauw en wit om een aangepaste kleur te genereren
			GREEN	0–255	
			BLUE	0–255	
			WHITE	0–255	
			STROBE	0–25	Stelt de stroboscoopfrequentie in (0–25 Hz)
			TIME	0–255	Stelt de stapduur (kort tot lang)
			FADE	0–255*	Stelt de fadesnelheid (langzaam tot snel) (*bereik bepaald door TIME -instelling)
SETTING	UPLOAD	**** (Enter Passcode)		SEND	Uploadt aangepaste programma's naar andere COLORado 1QS-producten
	RESET	**** (Enter Passcode)			Herstellen naar de fabrieksstandaard
	DIMMER	OFF			Lineaire dimmer
		DIM1–4			Dimprofielen van DIM1 (snel) tot DIM4 (langzaam)
	DMX ERROR	SAVE			Gaat verder met de laatste opdracht na verlies van DMX-regeling
BLACK			Verduistert de product na verlies van DMX		

Hoofdniveau	Programmeerniveaus				Beschrijving	
SETTING (vervolg)	PWM	600Hz	X FINE Y FINE	+/-200	Selecteert de PWM-uitgangsfrequentie	
		1200Hz				
		2000Hz				
		2400Hz				
		6000Hz				
		18000Hz				
		25000Hz				
	FULL POWER CCT	WARM WHITE				Stelt de kleurtemperatuur in wanneer LED-uitgang 100% is
		NEUTRAL WHITE				
		COOL WHITE				
	NORMAL				Handmatige kleurtemperatuur	
XY OFFSET	HIDE				Toont of verbergt XY-instellingen in de PWM-menuoptie	
	SHOW					
KEY	ON				Vergrendelt het display (toegangscode is <UP>, <DOWN>, <UP>, <DOWN>, <ENTER>)	
	OFF					
CALIB.C	**** (Enter Passcode)	WHITE-01-13	X FINE	+/-200	Wijzigt de vooraf ingestelde kleurtemperaturen	
			Y FINE			
INFO	VERSION	V_._			Toont de geïnstalleerde softwareversie	
	RDM	UID	-----			Geeft de huidige UID
		LABEL	COLORado 1 QS			Toont de productnaam voor RDM

DMX-waarden

STD.Y (15 kanalen)

Kanaal	Functie	Waarde	Percentage/Instelling
1	Dimmer	000 ⇔ 255	0–100%
2	Fijnedimmer (wanneer K 13 000 ⇔ 140 is)	000 ⇔ 255	Fijne controle (16-bits)
	Stapduur (wanneer K 13 141 ⇔ 255 is)	000 ⇔ 255	Aangepast automatisch programmastapduur, kort tot lang
3	Rood (wanneer K 13 000 ⇔ 140 is)	000 ⇔ 255	0–100%
	Fadesnelheid (wanneer K 13 141 ⇔ 255 is)	000 ⇔ 255	Aangepast automatisch programmafadesnelheid, langzaam tot snel
4	Fijnerood	000 ⇔ 255	Fijne controle (16-bits)
5	Groen	000 ⇔ 255	0–100%
6	Fijnegroen	000 ⇔ 255	Fijne controle (16-bits)
7	Blauw	000 ⇔ 255	0–100%
8	Fijneblauw	000 ⇔ 255	Fijne controle (16-bits)
9	Wit	000 ⇔ 255	0–100%
10	Fijnewit	000 ⇔ 255	Fijne controle (16-bits)

Kanaal	Functie	Waarde	Percentage/Instelling
11	Kleurmacro	000 ⇔ 010	Geen functie
		011 ⇔ 030	Rood: 100% Groen: 0–100% Blauw: 0% Wit: 0%
		031 ⇔ 050	Rood: 100–0% Groen: 100% Blauw: 0% Wit: 0%
		051 ⇔ 070	Rood: 0% Groen: 100% Blauw: 0–100% Wit: 0%
		071 ⇔ 090	Rood: 0% Groen: 100–0% Blauw: 100% Wit: 0%
		091 ⇔ 110	Rood: 0–100% Groen: 0% Blauw: 100% Wit: 0%
		111 ⇔ 130	Rood: 100% Groen: 0% Blauw: 100–0% Wit: 0%
		131 ⇔ 150	Rood: 100% Groen: 0–100% Blauw: 0–100% Wit: 0%
		151 ⇔ 170	Rood: 100–0% Groen: 100–0% Blauw: 100% Wit: 0%
		171 ⇔ 195	Rood: 100% Groen: 100% Blauw: 100% Wit: 100%
		196 ⇔ 200	Wit 1
		201 ⇔ 205	Wit 2
		206 ⇔ 210	Wit 3
		211 ⇔ 215	Wit 4
		216 ⇔ 220	Wit 5
		221 ⇔ 225	Wit 6
		226 ⇔ 230	Wit 7
		231 ⇔ 235	Wit 8
		236 ⇔ 240	Wit 9
		241 ⇔ 245	Wit 10
246 ⇔ 250	Wit 11		
251 ⇔ 255	Wit 12		
12	Strobe	000 ⇔ 009	Geen functie
		010 ⇔ 099	Stroboscoop, langzaam naar snel
		100 ⇔ 109	Geen functie
		110 ⇔ 179	Bliksemeffect, langzaam naar snel
		180 ⇔ 189	Geen functie
		190 ⇔ 255	Willekeurige stroboscoop, langzaam naar snel
13	Automatische programma's	000 ⇔ 040	Geen functie
		041 ⇔ 050	Automatische programma 1
		051 ⇔ 060	Automatische programma 2
		061 ⇔ 070	Automatische programma 3
		071 ⇔ 080	Automatische programma 4
		081 ⇔ 090	Automatische programma 5
		091 ⇔ 100	Automatische programma 6
		101 ⇔ 110	Automatische programma 7
		111 ⇔ 120	Automatische programma 8
		121 ⇔ 130	Automatische programma 9
		131 ⇔ 140	Automatische programma 10
		141 ⇔ 150	Aangepaste automatische programma 1
		151 ⇔ 160	Aangepaste automatische programma 2
		161 ⇔ 170	Aangepaste automatische programma 3
		171 ⇔ 180	Aangepaste automatische programma 4
		181 ⇔ 190	Aangepaste automatische programma 5
191 ⇔ 200	Aangepaste automatische programma 6		
201 ⇔ 210	Aangepaste automatische programma 7		
211 ⇔ 220	Aangepaste automatische programma 8		
221 ⇔ 230	Aangepaste automatische programma 9		
231 ⇔ 255	Aangepaste automatische programma 10		
14	Programmasnelheid	000 ⇔ 255	Automatische programmasnelheid, langzaam tot snel
15	Dimmersnelheid	000 ⇔ 009	Voorinstelling van de dimmersnelheid vanaf het displaymenu
		010 ⇔ 029	Dimmer snelheidsmodus uit
		030 ⇔ 069	Dimmer snelheidsmodus 1 (snel)
		070 ⇔ 129	Dimmer snelheidsmodus 2
		130 ⇔ 189	Dimmer snelheidsmodus 3
		190 ⇔ 255	Dimmer snelheidsmodus 4 (langzaam)

TR16 (15 kanalen)

Kanaal	Functie	Waarde	Percentage/Instelling
1	Dimmer	000 ⇔ 255	0–100%
2	Fijnedimmer (wanneer K 13 000 ⇔ 140 is)	000 ⇔ 255	Fijne controle (16-bits)
	Stapduur (wanneer K 13 141 ⇔ 255 is)	000 ⇔ 255	Aangepast automatisch programmastapduur, kort tot lang
3	Rood (wanneer K 13 000 ⇔ 140 is)	000 ⇔ 255	0–100%
	Fadesnelheid (wanneer K 13 141 ⇔ 255 is)	000 ⇔ 255	Aangepast automatisch programmafadesnelheid, langzaam tot snel
4	Fijnerood	000 ⇔ 255	Fijne controle (16-bits)
5	Groen	000 ⇔ 255	0–100%
6	Fijnegroen	000 ⇔ 255	Fijne controle (16-bits)
7	Blauw	000 ⇔ 255	0–100%
8	Fijneblauw	000 ⇔ 255	Fijne controle (16-bits)
9	Wit	000 ⇔ 255	0–100%
10	Fijnewit	000 ⇔ 255	Fijne controle (16-bits)
11	Kleurmacro	000 ⇔ 010	Geen functie
		011 ⇔ 030	Rood: 100% Groen: 0–100% Blauw: 0% Wit: 0%
		031 ⇔ 050	Rood: 100–0% Groen: 100% Blauw: 0% Wit: 0%
		051 ⇔ 070	Rood: 0% Groen: 100% Blauw: 0–100% Wit: 0%
		071 ⇔ 090	Rood: 0% Groen: 100–0% Blauw: 100% Wit: 0%
		091 ⇔ 110	Rood: 0–100% Groen: 0% Blauw: 100% Wit: 0%
		111 ⇔ 130	Rood: 100% Groen: 0% Blauw: 100–0% Wit: 0%
		131 ⇔ 150	Rood: 100% Groen: 0–100% Blauw: 0–100% Wit: 0%
		151 ⇔ 170	Rood: 100–0% Groen: 100–0% Blauw: 100% Wit: 0%
		171 ⇔ 195	Rood: 100% Groen: 100% Blauw: 100% Wit: 100%
		196 ⇔ 200	Wit 1
		201 ⇔ 205	Wit 2
		206 ⇔ 210	Wit 3
		211 ⇔ 215	Wit 4
		216 ⇔ 220	Wit 5
		221 ⇔ 225	Wit 6
		226 ⇔ 230	Wit 7
231 ⇔ 235	Wit 8		
236 ⇔ 240	Wit 9		
241 ⇔ 245	Wit 10		
246 ⇔ 250	Wit 11		
251 ⇔ 255	Wit 12		
12	Strobe	000 ⇔ 009	Geen functie
		010 ⇔ 099	Stroboscoop, langzaam naar snel
		100 ⇔ 109	Geen functie
		110 ⇔ 179	Bliksem-effect, langzaam naar snel
		180 ⇔ 189	Geen functie
		190 ⇔ 255	Willekeurige stroboscoop, langzaam naar snel

Kanaal	Functie	Waarde	Percentage/Instelling
13	Automatische programma's	000 ⇔ 040	Geen functie
		041 ⇔ 050	Automatische programma 1
		051 ⇔ 060	Automatische programma 2
		061 ⇔ 070	Automatische programma 3
		071 ⇔ 080	Automatische programma 4
		081 ⇔ 090	Automatische programma 5
		091 ⇔ 100	Automatische programma 6
		101 ⇔ 110	Automatische programma 7
		111 ⇔ 120	Automatische programma 8
		121 ⇔ 130	Automatische programma 9
		131 ⇔ 140	Automatische programma 10
		141 ⇔ 150	Aangepaste automatische programma 1
		151 ⇔ 160	Aangepaste automatische programma 2
		161 ⇔ 170	Aangepaste automatische programma 3
		171 ⇔ 180	Aangepaste automatische programma 4
		181 ⇔ 190	Aangepaste automatische programma 5
		191 ⇔ 200	Aangepaste automatische programma 6
		201 ⇔ 210	Aangepaste automatische programma 7
		211 ⇔ 220	Aangepaste automatische programma 8
		221 ⇔ 230	Aangepaste automatische programma 9
231 ⇔ 255	Aangepaste automatische programma 10		
14	Programmasnelheid	000 ⇔ 255	Automatische programmasnelheid, langzaam tot snel
15	Dimmersnelheid	000 ⇔ 009	Voorinstelling van de dimmersnelheid vanaf het displaymenu
		010 ⇔ 029	Dimmer snelheidsmodus uit
		030 ⇔ 069	Dimmer snelheidsmodus 1 (snel)
		070 ⇔ 129	Dimmer snelheidsmodus 2
		130 ⇔ 189	Dimmer snelheidsmodus 3
		190 ⇔ 255	Dimmer snelheidsmodus 4 (langzaam)

TOUR (10 kanalen)

Kanaal	Functie	Waarde	Percentage/Instelling
1	Dimmer	000 ⇔ 255	0–100%
2	Rood (wanneer K 8 000 ⇔ 140 is)	000 ⇔ 255	Fijne controle (16-bits)
	Stapduur (wanneer K 8 141 ⇔ 255 is)	000 ⇔ 255	Aangepast automatisch programmastapduur, kort tot lang
3	Groen (wanneer K 8 000 ⇔ 140 is)	000 ⇔ 255	0–100%
	Fadesnelheid (wanneer K 8 141 ⇔ 255 is)	000 ⇔ 255	Aangepast automatisch programmafadesnelheid, langzaam tot snel
4	Blauw	000 ⇔ 255	Fijne controle (16-bits)
5	Wit	000 ⇔ 255	0–100%

Kanaal	Functie	Waarde	Percentage/Instelling
6	Kleurmacro	000 ⇔ 010	Geen functie
		011 ⇔ 030	Rood: 100% Groen: 0–100% Blauw: 0% Wit: 0%
		031 ⇔ 050	Rood: 100–0% Groen: 100% Blauw: 0% Wit: 0%
		051 ⇔ 070	Rood: 0% Groen: 100% Blauw: 0–100% Wit: 0%
		071 ⇔ 090	Rood: 0% Groen: 100–0% Blauw: 100% Wit: 0%
		091 ⇔ 110	Rood: 0–100% Groen: 0% Blauw: 100% Wit: 0%
		111 ⇔ 130	Rood: 100% Groen: 0% Blauw: 100–0% Wit: 0%
		131 ⇔ 150	Rood: 100% Groen: 0–100% Blauw: 0–100% Wit: 0%
		151 ⇔ 170	Rood: 100–0% Groen: 100–0% Blauw: 100% Wit: 0%
		171 ⇔ 195	Rood: 100% Groen: 100% Blauw: 100% Wit: 100%
		196 ⇔ 200	Wit 1
		201 ⇔ 205	Wit 2
		206 ⇔ 210	Wit 3
		211 ⇔ 215	Wit 4
		216 ⇔ 220	Wit 5
		221 ⇔ 225	Wit 6
		226 ⇔ 230	Wit 7
		231 ⇔ 235	Wit 8
		236 ⇔ 240	Wit 9
		241 ⇔ 245	Wit 10
246 ⇔ 250	Wit 11		
251 ⇔ 255	Wit 12		
7	Strobe	000 ⇔ 009	Geen functie
		010 ⇔ 099	Stroboscoop, langzaam naar snel
		100 ⇔ 109	Geen functie
		110 ⇔ 179	Bliksemeffect, langzaam naar snel
		180 ⇔ 189	Geen functie
		190 ⇔ 255	Willekeurige stroboscoop, langzaam naar snel
8	Automatische programma's	000 ⇔ 040	Geen functie
		041 ⇔ 050	Automatische programma 1
		051 ⇔ 060	Automatische programma 2
		061 ⇔ 070	Automatische programma 3
		071 ⇔ 080	Automatische programma 4
		081 ⇔ 090	Automatische programma 5
		091 ⇔ 100	Automatische programma 6
		101 ⇔ 110	Automatische programma 7
		111 ⇔ 120	Automatische programma 8
		121 ⇔ 130	Automatische programma 9
		131 ⇔ 140	Automatische programma 10
		141 ⇔ 150	Aangepaste automatische programma 1
		151 ⇔ 160	Aangepaste automatische programma 2
		161 ⇔ 170	Aangepaste automatische programma 3
		171 ⇔ 180	Aangepaste automatische programma 4
		181 ⇔ 190	Aangepaste automatische programma 5
191 ⇔ 200	Aangepaste automatische programma 6		
201 ⇔ 210	Aangepaste automatische programma 7		
211 ⇔ 220	Aangepaste automatische programma 8		
221 ⇔ 230	Aangepaste automatische programma 9		
231 ⇔ 255	Aangepaste automatische programma 10		
9	Programmasnelheid	000 ⇔ 255	Automatische programmasnelheid, langzaam tot snel
10	Dimmersnelheid	000 ⇔ 009	Voorinstelling van de dimmersnelheid vanaf het displaymenu
		010 ⇔ 029	Dimmer snelheidsmodus uit
		030 ⇔ 069	Dimmer snelheidsmodus 1 (snel)
		070 ⇔ 129	Dimmer snelheidsmodus 2
		130 ⇔ 189	Dimmer snelheidsmodus 3
		190 ⇔ 255	Dimmer snelheidsmodus 4 (langzaam)

SSP (7 kanalen)

Kanaal	Functie	Waarde	Percentage/Instelling
1	Dimmer	000 ⇔ 255	0–100%
2	Rood	000 ⇔ 255	0–100%
3	Groen	000 ⇔ 255	0–100%
4	Blauw	000 ⇔ 255	0–100%
5	Wit	000 ⇔ 255	0–100%
6	Stroboscoop	000 ⇔ 009	Geen functie
		010 ⇔ 099	Stroboscoop, langzaam naar snel
		100 ⇔ 109	Geen functie
		110 ⇔ 179	Bliksemeffect, langzaam naar snel
		180 ⇔ 189	Geen functie
		190 ⇔ 255	Willekeurige stroboscoop, langzaam naar snel
7	Dimmersnelheid	000 ⇔ 009	Voorinstelling van de dimmersnelheid vanaf het displaymenu
		010 ⇔ 029	Dimmer snelheidsmodus uit
		030 ⇔ 069	Dimmer snelheidsmodus 1 (snel)
		070 ⇔ 129	Dimmer snelheidsmodus 2
		130 ⇔ 189	Dimmer snelheidsmodus 3
		190 ⇔ 255	Dimmer snelheidsmodus 4 (langzaam)

HSIC (7 kanalen)

Kanaal	Functie	Waarde	Percentage/Instelling
1	Dimmer	000 ⇔ 255	0–100%
2	Tint	000 ⇔ 255	0–100%
3	Fijne tint	000 ⇔ 255	0–100%
4	Verzadiging	000 ⇔ 255	0–100%
5	Kleurtemperatuur	000 ⇔ 010	Geen functie
		011 ⇔ 030	Wit 1
		031 ⇔ 050	Wit 2
		051 ⇔ 070	Wit 3
		071 ⇔ 090	Wit 4
		091 ⇔ 110	Wit 5
		111 ⇔ 130	Wit 6
		131 ⇔ 150	Wit 7
		151 ⇔ 170	Wit 8
		171 ⇔ 190	Wit 9
		191 ⇔ 210	Wit 10
		211 ⇔ 230	Wit 11
		231 ⇔ 255	Wit 12
6	Stroboscoop	000 ⇔ 009	Geen functie
		010 ⇔ 099	Stroboscoop, langzaam naar snel
		100 ⇔ 109	Geen functie
		110 ⇔ 179	Bliksemeffect, langzaam naar snel
		180 ⇔ 189	Geen functie
		190 ⇔ 255	Willekeurige stroboscoop, langzaam naar snel
7	Dimmersnelheid	000 ⇔ 009	Voorinstelling van de dimmersnelheid vanaf het displaymenu
		010 ⇔ 029	Dimmer snelheidsmodus uit
		030 ⇔ 069	Dimmer snelheidsmodus 1 (snel)
		070 ⇔ 129	Dimmer snelheidsmodus 2
		130 ⇔ 189	Dimmer snelheidsmodus 3
		190 ⇔ 255	Dimmer snelheidsmodus 4 (langzaam)

Contact Us

General Information	Technical Support
Chauvet World Headquarters	
Address: 5200 NW 108th Ave. Sunrise, FL 33351 Voice: (954) 577-4455 Fax: (954) 929-5560 Toll Free: (800) 762-1084	Voice: (844) 393-7575 Fax: (954) 756-8015 Email: chauvetcs@chauvetlighting.com Website: www.chauvetprofessional.com
Chauvet Europe Ltd.	
Address: Unit 1C Brookhill Road Industrial Estate Pinxton, Nottingham, UK NG16 6NT Voice: +44 (0) 1773 511115 Fax: +44 (0) 1773 511110	Email: UKtech@chauvetlighting.eu Website: www.chauvetprofessional.eu
Chauvet Europe BVBA	
Address: Stokstraat 18 9770 Kruishoutem Belgium Voice: +32 9 388 93 97	Email: BNLtech@chauvetlighting.eu Website: www.chauvetprofessional.eu
Chauvet France	
Address: 3, Rue Ampère 91380 Chilly-Mazarin France Voice: +33 1 78 85 33 59	Email: FRtech@chauvetlighting.fr Website: www.chauvetprofessional.eu
Chauvet Germany	
Address: Bruno-Bürgel-Str. 11 28759 Bremen Germany Voice: +49 421 62 60 20	Email: DEtech@chauvetlighting.de Website: www.chauvetprofessional.eu
Chauvet Mexico	
Address: Av. de las Partidas 34 - 3B (Entrance by Calle 2) Zona Industrial Lerma Lerma, Edo. de México, CP 52000 Voice: +52 (728) 690-2010	Email: servicio@chauvet.com.mx Website: www.chauvetprofessional.mx

Visit the applicable website above to verify our contact information and instructions to request support. Outside the U.S., United Kingdom, Ireland, Mexico, France, Germany, or Benelux, contact the dealer of record.



UL 1573
CSA C22.2 No. 166
E113093



RoHS

