

# FREEDOM PAR<sup>®</sup> H9 IP

## FREEDOM PAR<sup>®</sup> H9 IP x4

### User Manual



**Table of Contents**

<b>1. Before You Begin</b> .....	1
What Is Included .....	1
Unpacking Instructions.....	1
Claims .....	1
Text Conventions .....	1
Symbols .....	1
Safety Notes.....	2
Battery Charge Notes.....	2
FCC Statement of Compliance .....	3
RF Exposure Warning for North America and Australia.....	3
Disclaimer .....	3
<b>2. Introduction</b> .....	4
Product Overview.....	4
Product Dimensions .....	5
<b>3. Setup</b> .....	6
AC Power .....	6
Battery Power.....	6
Mounting .....	7
Orientation.....	7
Rigging.....	7
Accessories.....	8
<b>4. Operation</b> .....	9
Control Panel Operation.....	9
Menu Map .....	9
DMX Configuration.....	13
DMX Personality and Starting Address.....	13
DMX Values .....	14
Standalone Configuration.....	18
Preset Color Mode .....	18
Fixed Color Mode.....	18
Custom Color Mixing.....	18
Automatic Programs.....	19
Sound Sensitivity.....	19
White Balance .....	19
D-Fi Setting .....	20
RF Setting .....	20
Run Time.....	20
Dimmer Mode.....	20
Display Back Light.....	20
Password .....	21
Product Information.....	21
Factory Reset.....	21
Master/Slave Mode .....	22
RFC Remote Control.....	23
RFC Remote Control Operation.....	23
<b>5. Maintenance</b> .....	24
Product Maintenance .....	24
<b>6. Technical Specifications</b> .....	25
<b>Contact Us</b> .....	26
Warranty & Returns.....	26

# 1. Before You Begin

## What Is Included

### Freedom Par H9 IP

- Freedom Par H9 IP
- External power supply
- Magnetic diffuser
- Quick Reference Guide

### Freedom Par H9 IPX4

- 4 Freedom Par H9 IP products
- 4 magnetic diffusers
- Carry bag
- RFC
- Multi-charger
- Power cable
- Quick Reference Guide

## Unpacking Instructions

Carefully unpack the product immediately and check the container to make sure all the parts are in the package and are in good condition.

### Claims

If the box or the contents (the product and included accessories) appear damaged from shipping, or show signs of mishandling, notify the carrier immediately, not Chauvet. Failure to report damage to the carrier immediately may invalidate the claim. Keep the box and contents for inspection.

For other issues, such as missing components or parts, damage not related to shipping, or concealed damage, file a claim with Chauvet within 7 days of delivery.

## Text Conventions

Convention	Meaning
<b>1–512</b>	A range of values
<b>50/60</b>	A set of values of which only one can be chosen
<b>Settings</b>	A menu option not to be modified
<b>&lt;ENTER&gt;</b>	A key to be pressed on the product's control panel
<b>ON</b>	A value to be entered or selected

## Symbols

Symbol	Meaning
	Electrical warning. Not following these instructions may cause electrical damage to the product, accessories, or the user.
	Critical installation, configuration, or operation information. Not following these instructions may make the product not work, cause damage to the product, or cause harm to the operator.
	Important installation or configuration information. The product may not function correctly if this information is not used.
	Useful information.

## Safety Notes



- **ALWAYS:**
  - Connect to a grounded circuit.
  - Connect to operating voltages as specified on the product's spec sticker.
  - Disconnect from power before replacing the fuse.
  - Disconnect from its power source during periods of inactivity.
  - Use a safety cable when suspending overhead.
  - Heed all restrictions and warnings on the spec sticker.
  - Mount in a location with at least 20 in (50 cm) of ventilation.
  - Replace the fuse with the same type and rating..
- In the event of a serious operating problem, stop using immediately.
- **DO NOT:**
  - Open this product or attempt any repairs. It contains no user-serviceable parts.
  - Look at the light source when the product is on.
  - Use if the power cord is crimped or damaged.
  - Disconnect by pulling on the power cord.
  - Allow flammable materials close to the product when it is operating.
  - Touch the housing when it is on.
  - Block any ventilation holes/slots in the housing.
  - Connect to a dimmer or rheostat.
  - Carry the product by its power cord.
  - Operate in temperatures higher than 104°F (40°C).
  - Expose to environments that exceed the Ingress Protection (IP) rating.
  - Submerge.
  - Expose to corrosive environmental conditions such as temperature, humidity, salinity, pressure, radiation, or shock.
  - Set this product on a flammable surface.



## Battery Charge Notes

Rechargeable lithium-ion batteries are potentially hazardous and can present a serious FIRE HAZARD, SERIOUS INJURY, and/or PROPERTY DAMAGE if damaged, defective, or improperly used.



- **ALWAYS:**
  - ◆ Charge using a manufacturer-provided charger while the product is powered off.
  - ◆ Charge the battery in temperatures between 32°–95°F (0°–35°C).
  - ◆ Allow a depleted battery to charge for a few minutes before turning on the product. If the battery is completely discharged, the device cannot be turned on immediately when the charger is connected.
  - ◆ Keep at least 3 ft (1 m) distance to any heat source and away from flammable materials.
  - ◆ Keep the lid of any charging case open while charging.
  - ◆ Keep batteries away from children.
  - ◆ Store batteries between 40–60% charge.
  - ◆ Follow local regulations when disposing of batteries.
  - ◆ Replace with an authentic Chauvet battery.
- **DO NOT:**
  - ◆ Continue charging if the battery becomes hot, smokes, swells, or gives off an odor during charging.
  - ◆ Leave the product unattended while charging.
  - ◆ Deplete the battery below 10%.
  - ◆ Charge the battery in a closed container.
  - ◆ Charge for more than 24 hours.

### FCC Statement of Compliance

This device complies with Part 15 Part B of the FCC rules. Operation is subject to the following two conditions:

1. This device may not cause harmful interference, and
2. This device must accept any interference received, including interference that may cause undesired operation.

This equipment has been tested and found to comply with the limits for a Class B digital device, pursuant to Part 15 of the FCC Rules. These limits are designed to provide reasonable protection against harmful interference in a residential installation. This equipment generates uses and can radiate radio frequency energy and, if not installed and used in accordance with the instructions, may cause harmful interference to radio communications. However, there is no guarantee that interference will not occur in a particular installation. If this equipment does cause harmful interference to radio or television reception, which can be determined by turning the equipment off and on, the user is encouraged to try to correct the interference by one or more of the following measures:

- Reorient or relocate the receiving antenna.
- Increase the separation between the equipment and receiver.
- Connect the equipment into an outlet on a circuit different from that to which the receiver is connected.
- Consult the dealer or an experienced radio/TV technician for help.

Any changes or modifications not expressly approved by the party responsible for compliance could void the user's authority to operate the equipment.

### RF Exposure Warning for North America and Australia

**Warning!** This equipment complies with FCC radiation exposure limits set forth for an uncontrolled environment. This equipment should be installed and operated with a minimum distance of 20 cm between the radiator and the user. This transmitter must not be co-located or operating in conjunction with any other antenna or transmitter.

### Disclaimer

Chauvet believes that the information contained in this manual is accurate in all respects. However, Chauvet assumes no responsibility and specifically disclaims any and all liability to any party for any loss, damage or disruption caused by any errors or omissions in this document, whether such errors or omissions result from negligence, accident or any other cause. Chauvet reserves the right to revise the content of this document without any obligation to notify any person or company of such revision, however, Chauvet has no obligation to make, and does not commit to make, any such revisions. Download the latest version from [www.chauvetdj.com](http://www.chauvetdj.com).

The works of authorship contained in this manual, including, but not limited to, all designs, text, and images are owned by Chauvet.

© **Copyright 2023 Chauvet & Sons, LLC. All rights reserved.**

Electronically published by Chauvet in the United States of America.

Chauvet, the Chauvet logo, and Freedom Par H9 IP and H9 IPX4 are registered trademarks or trademarks of Chauvet & Sons LLC. (d/b/a Chauvet and Chauvet Lighting) in the United States and other countries. Other company and product names and logos referred to herein may be trademarks of their respective companies.

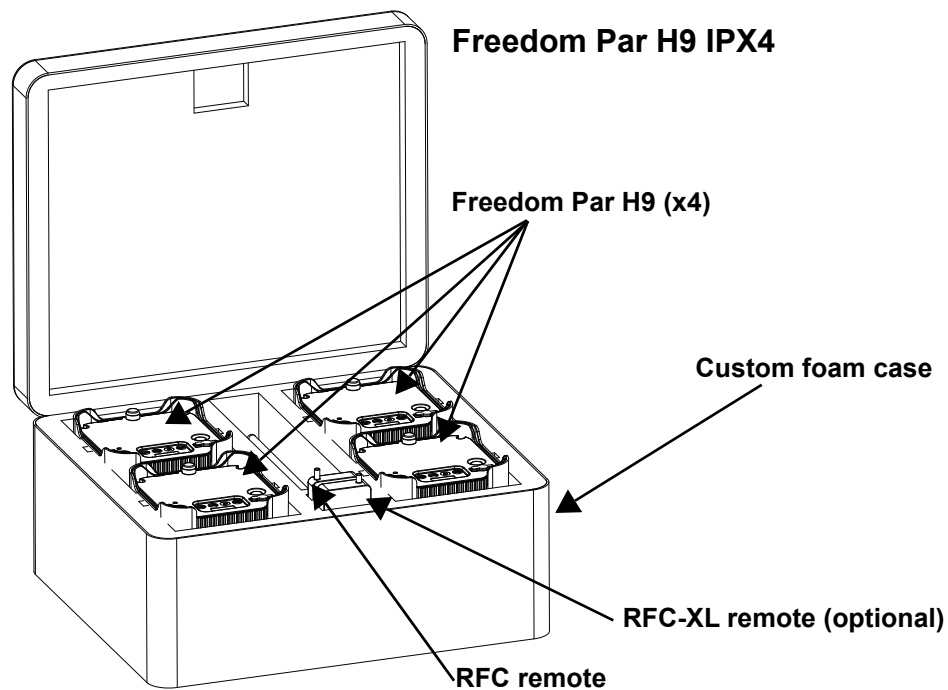
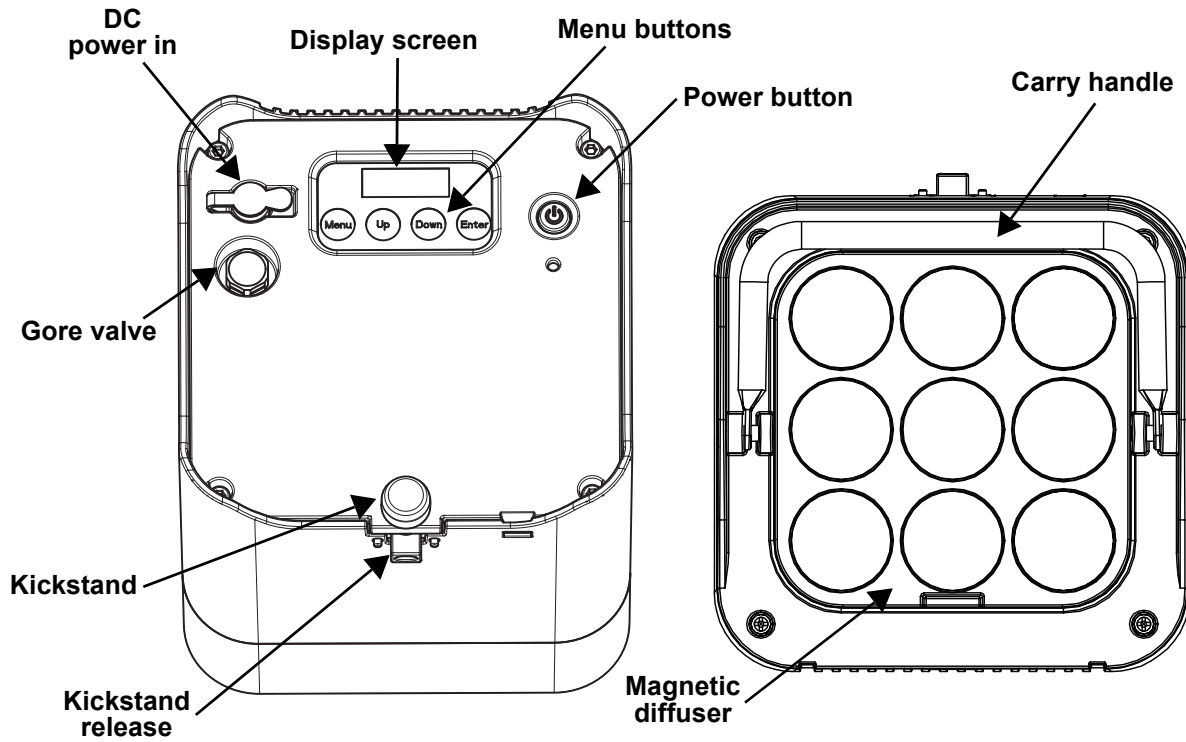


**Keep this User Manual for future use.**

## 2. Introduction

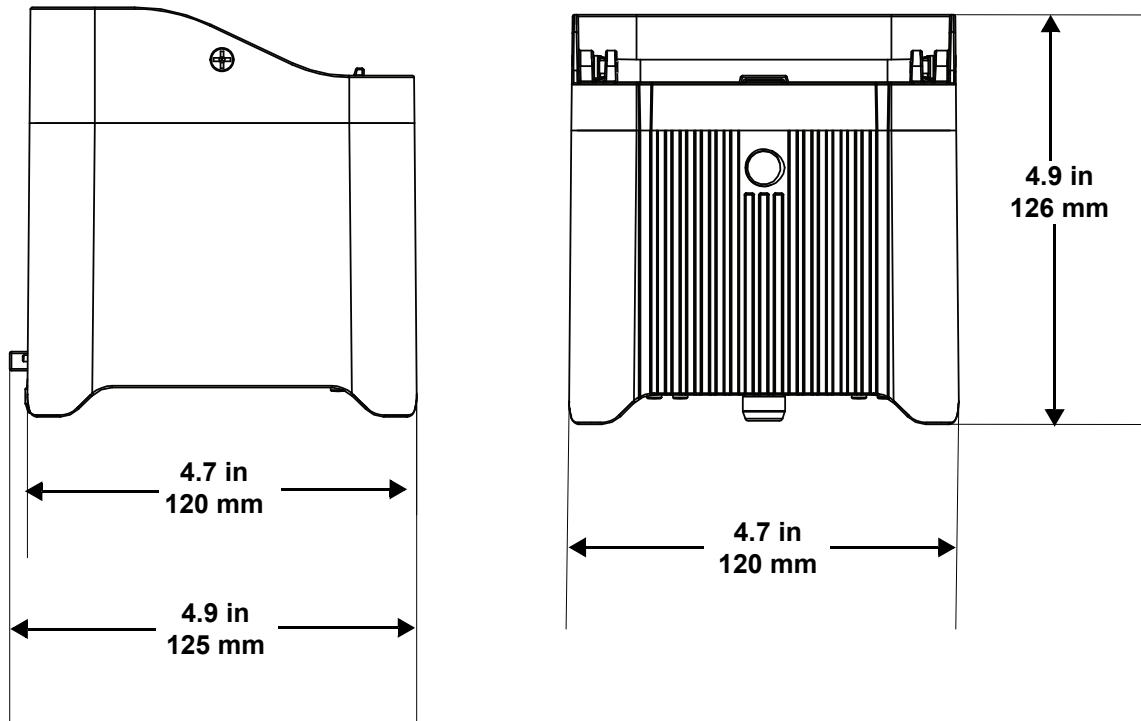
### Product Overview

#### Freedom Par H9 IP

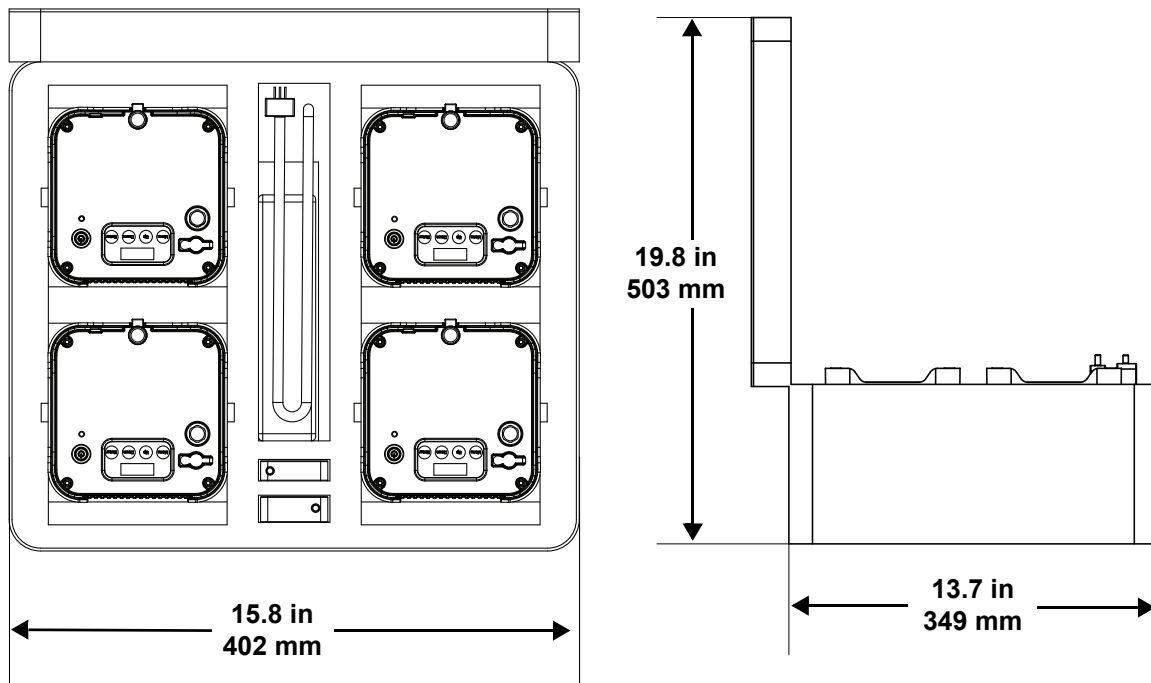


Product Dimensions

Freedom Par H9 IP



Freedom Par H9 IPX4



### 3. Setup

#### AC Power

The Freedom Par H9 IP has an external power supply and can work with an input voltage of 24 VDC, 50/60 Hz. To determine the product's power requirements (circuit breaker, power outlet, and wiring), use the current value listed on the label affixed to the product's back panel or refer to the product's specifications chart. The listed current rating indicates the product's average current draw under normal conditions.



- **Always connect the product to a protected circuit (a circuit breaker or fuse). Make sure the product has an appropriate electrical ground to avoid the risk of electrocution or fire.**
- **To eliminate unnecessary wear and improve its lifespan, completely disconnect the product from power via breaker or by unplugging it during periods of non-use.**



**Never connect the product to a rheostat (variable resistor) or dimmer circuit, even if the rheostat or dimmer channel serves only as a 0 to 100% switch.**

#### Battery Power

The Freedom Par H9 IP comes with a rechargeable lithium battery for cable-free operation.

#### Charging the Battery

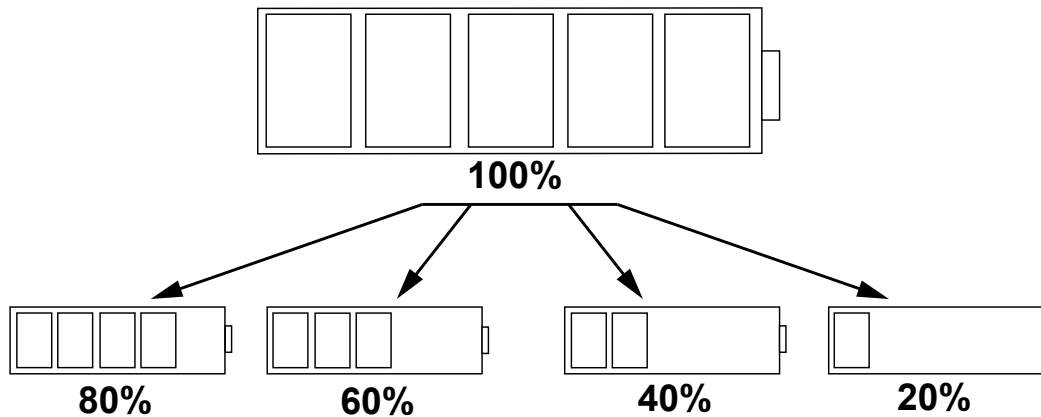
The battery charges whenever the Freedom Par H9 IP is plugged into a power source using the included power cord. If the product is plugged in and not in operation, make sure the product is turned off.



- **Before charging the product, read and follow the battery charge notes in the [Safety Notes](#).**
- **The LED indicator light will flash if units are overcharged.**
- **DO NOT use the Freedom Par H9 IP on full power mode (all LEDs at 100%) while being charged/plugged into a power source, as the unit will get extremely hot.**

#### Battery Life Indicator

The indicators on the LED Menu Display show how much battery life remains available. The drawing below provides a key to reading the battery life indicators.



#### Battery Run Time

Maximum Run Time	Recharge Time
Up to 12 hours	3 hours



## Setup

### Mounting

Before mounting the product, read and follow the safety recommendations indicated in the [Safety Notes](#).

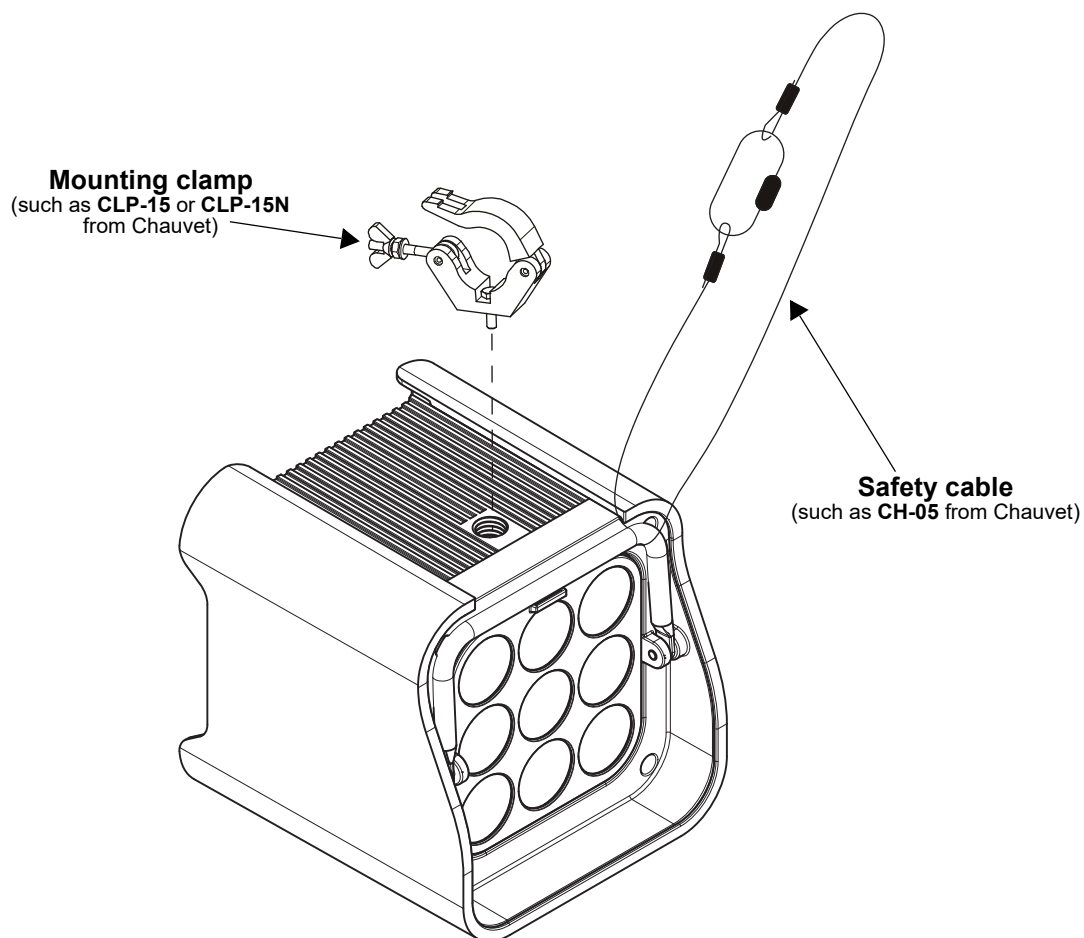
### Orientation

The Freedom Par H9 IP may be mounted in any position; however, make sure adequate ventilation is provided around the product.

### Rigging

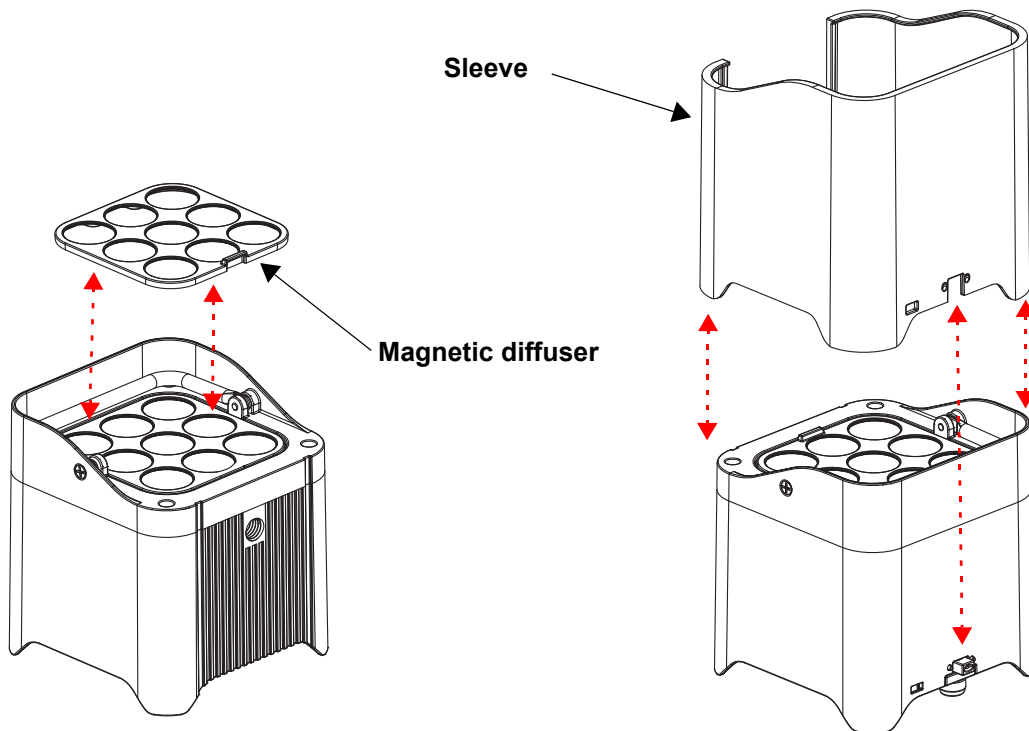
- Before deciding on a location for the product, always make sure there is easy access to the product for maintenance and programming purposes.
- Make sure adequate ventilation is provided around the product.
- Mount the product on a structure or surface that can support the product's weight (see the [Technical Specifications](#) for weight information).
- Always use a safety cable when mounting the product overhead. Mount the product securely to a rigging point (e.g., an elevated platform or a truss).
- Use a mounting clamp of appropriate weight capacity when rigging the product onto a truss.

### Mounting Diagram

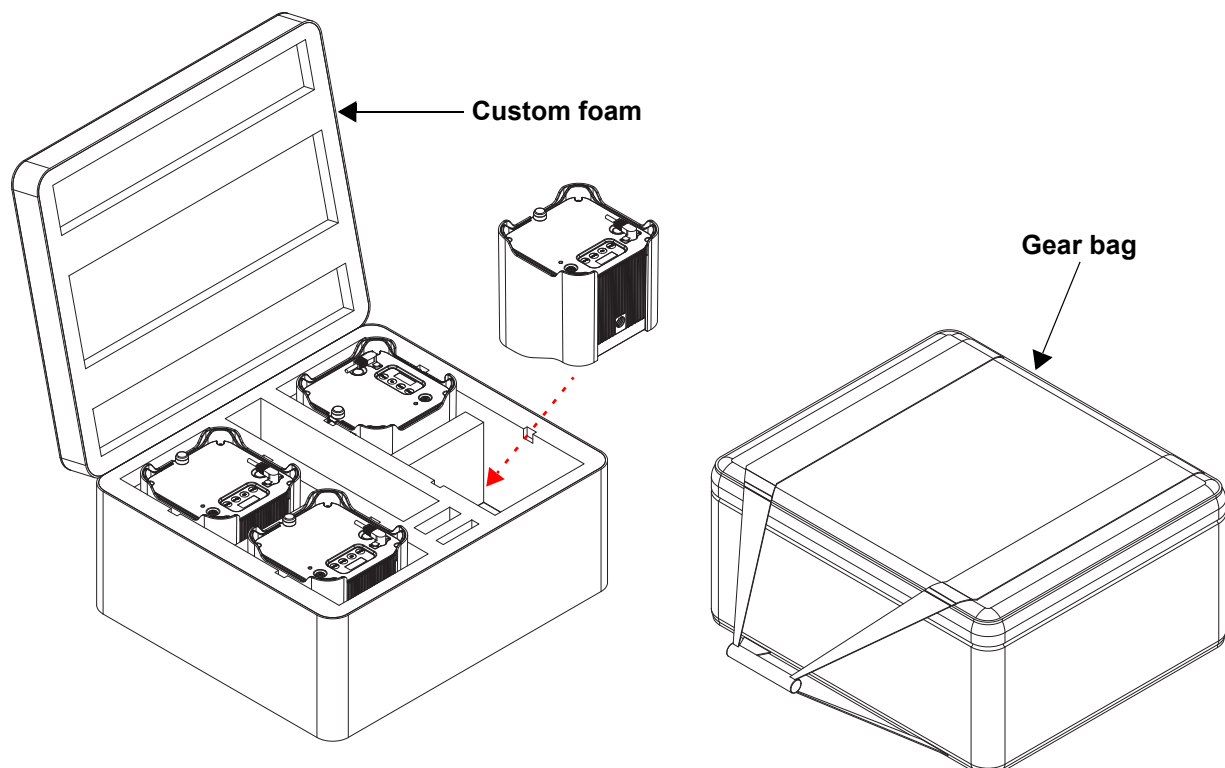


## Accessories

The Freedom Par Q9 comes with a removable magnetic diffuser and can be used with a sleeve (sold separately). To attach or remove the magnetic diffuser and/or the sleeve from the fixture, see the diagram below:



The Freedom Par H9 IPX4 comes in an easily transportable gear bag with custom foam:



## 4. Operation

### Control Panel Operation

To access the control panel functions, use the four buttons located next to the display. Please refer to the [Introduction](#) to see the button locations on the control panel.

Button	Function
<MENU>	Exits from the current menu or function
<UP>	Navigates upwards through the menu list and increases the numeric value when in a function
<DOWN>	Navigates downwards through the menu list and decreases the numeric value when in a function
<ENTER>	Enables the currently displayed menu or sets the currently selected value into the selected function

### Menu Map

Refer to the Freedom Par H9 IP product page on [www.chauvetdj.com](http://www.chauvetdj.com) for the latest menu map.

Main Menu	Programming Levels	Description
DMX Address	001–497	Selects DMX starting address
DMX Channel	6 Ch	6-channel DMX mode
	8 Ch	8-channel DMX mode
	16Ch	16-channel DMX mode
Static	Preset	RED
		GREEN
		BLUE
		AMBER
		White
		UV
		YELLOW
		MAGENTA
		SUNSET
		CYAN
		LIME GREEN
		HIGH POWER WHITE
		SOL
		SEAFOAM
		TURQUOISE
		ORANGE
		BABY BLUE
		HOT PINK
		EMERALD
		OCEAN
		BABY PINK
		GOLDENROD
		SKY
		LAVENDER
		FADED ORANGE
		FUSCHIA
		AMBIENT
RADIOACTIVE GREEN		
SAPPHIRE		
UV RED		
UV YELLOW		
UV GREEN		
UV BLUE		
ORANGE CREAM		
DUSK		

Selects preset colors

Main Menu	Programming Levels		Description
Static	Preset	2700K	Selects preset colors
		3500K	
		4000K	
		5000K	
		6000K	
	Fixed Color	R	Selects a single static color or a combination of static colors
		G	
		B	
		A	
		W	
		P	
		RG	
		RB	
		RA	
		RW	
		RP	
		GB	
		GA	
		GW	
		GP	
		BA	
		BW	
		BP	
		AW	
		AP	
		WP	
		RGB	
		RGA	
		RGW	
RGP			
RBA			
RBW			
RBP			
RAW			
RAP			
RWP			
GBA			
GBW			
GBP			
BAW			
BAP			
AWP			
BWP			
GAW			
GAP			
GWP			

Main Menu	Programming Levels		Description	
Static	Fixed Color	RGBA	Selects a single static color or a combination of static colors	
		RGBW		
		RGBP		
		RGAW		
		RGAP		
		RGWP		
		RBAW		
		RBAP		
		RBWP		
		RAWP		
		GBAW		
		GBAP		
		GBWP		
		GAWP		
		BAWP		
		RGBAW		
		RGBAP		
		RGBWP		
		RGAWP		
		RBAWP		
		GBAWP		
RGBAWP				
Manual Color	R= _ _ _ _	0–255	Combines red, green, blue, amber, white, and purple to make a custom color (0–100%)	
	G= _ _ _ _			
	B= _ _ _ _			
	A= _ _ _ _			
	W= _ _ _ _			
	P= _ _ _ _			
Auto 1–4	Speed	0–100	Selects the foreground and background colors, and adjusts the speed of auto programs  <b>Note:</b> Foreground and background colors are available only for auto programs 5–9.	
Auto Show	Auto 5–9	Speed		0–100
		R		
		G		
		B		
		A		
		W		
		P		
		RG		
		RB		
		RA		
		RW		
		RP		
		GB		
		GA		
		GW		
		GP		
		BA		
BW				
BP				
AW				
AP				
WP				
RGB				
RGA				

Main Menu	Programming Levels		Description	
Auto Show	Auto 5–9	FG Color	RGW	
			RGP	
			RBA	
			RBW	
			RBP	
			RAW	
			RAP	
			RWP	
			GBA	
			GBW	
			GBP	
			BAW	
			BAP	
			AWP	
		BWP		
		GAW		
		GAP		
		GWP		
		RGBA	Selects the foreground and background colors, and adjusts the speed of auto programs	
		RGBW		
		RGBP		
		RGAW		<b>Note:</b> Foreground and background colors are available only for auto programs 5–9.
		RGAP		
		RGWP		
		RBAW		
		RBAP		
		RBWP		
		RAWP		
GBAW				
GBAP				
GBWP				
GAWP				
BAWP				
RGBAW				
RGBAP				
RGBWP				
RGAWP				
RBAWP				
GBAWP				
RGBAWP				
Off				
Sound Show	Sound Sense	000–100	Adjusts sound sensitivity	
Slave Setting	Slave1		Sets which slave unit(s) will mimic the master unit	
	Slave2			
	Slave3			
	Slave4			
White Balance	Off		Uses factory default white setting	
	Manual	R=	125–255	Sets red LED maximum value
		G=		Sets green LED maximum value
		B=		Sets blue LED maximum value
		A=		Sets amber LED maximum value
		W=		Sets white LED maximum value
		P=		Sets purple LED maximum value

Main Menu	Programming Levels		Description
D-Fi Setting	D-Fi On/Off	On	Activates/deactivates D-Fi mode
		Off	
	D-Fi Mode	Receive	Sets the product to receive D-Fi signal
		Transmit	Sets the product to transmit D-Fi signal
D-Fi Channel	CH01–CH16	Sets D-Fi channel	
RF Setting	Link		Links the fixture to a single RF remote
	Public		Allows the fixture to respond to all RF signals
	Group	Group1–4	Sets which group of fixture the RFC-XL remote will control
	Off		Turns off RF reception
Run Time	Off		Turns off battery management
	3 Hours		Adjusts the light and power consumption based on the number of colors being used and the amount of time the fixture has been running
	5 Hours		
	8 Hours		
	12 Hours		
Dimmer Mode	Off		Linear dimmer
	Dimmer 1		Dimming curves: <b>Dimmer 1</b> (fast) to <b>Dimmer 3</b> (slow)
	Dimmer 2		
	Dimmer 3		
Back Light	10S		Turns off display backlight after 10 seconds of inactivity
	30S		Turns off display backlight after 30 seconds of inactivity
	2Min		Turns off display backlight after 2 minutes of inactivity
	Always On		Display backlight remains on
Password	Off		Turns off password protection
	On		Turns on password protection Default password: <UP>, <DOWN>, <UP>, <DOWN>, <ENTER>
	0000–9999		Sets the fixture ID
Information	Fixture Hours <_ _ _ _ H>		Displays the total hours the product has been powered on
	LED Hours <_ _ _ _ H>		Displays the total LED hours
	Version <V_ _ _ _ _ >		Displays firmware version
Factory Reset	No		Resets settings to factory default
	Yes		

## DMX Configuration

The Freedom Par H9 IP works with a DMX controller. Information about DMX is in the Chauvet DMX Primer available from the Chauvet website: [www.chauvetdj.com](http://www.chauvetdj.com).

### DMX Personality and Starting Address

When selecting a starting DMX address, always consider the number of DMX channels the selected DMX mode uses. Choosing a starting address that is too high could restrict access to some of the product’s channels.

The Freedom Par H9 IP uses up to 16 DMX channels in a 16Ch DMX mode, which defines the highest configurable address to **497**.

For more information about the DMX protocol, download the DMX Primer from: [www.chauvetdj.com](http://www.chauvetdj.com).

To select the starting address, do the following:

1. Press <MENU> repeatedly until **DMX Address** shows on the display.
2. Press <ENTER>.
3. Use <UP> or <DOWN> to select the starting address, from **001–497**.
4. Press <ENTER>.

## DMX Values

6Ch	8Ch	16Ch	Function	Value	Percent/Setting
–	1	1	Dimmer	000 ⇔ 255	0–100%
1	2	2	Red	000 ⇔ 255	0–100%
2	3	3	Green	000 ⇔ 255	0–100%
3	4	4	Blue	000 ⇔ 255	0–100%
4	5	5	Amber	000 ⇔ 255	0–100%
5	6	6	White	000 ⇔ 255	0–100%
6	7	7	Purple	000 ⇔ 255	0–100%
–	8	8	Strobe	000 ⇔ 015 016 ⇔ 255	No function Strobe, slow to fast
–	–	9	Color macro	000 ⇔ 010 011 ⇔ 030 031 ⇔ 050 051 ⇔ 070 071 ⇔ 090 091 ⇔ 110 111 ⇔ 130 131 ⇔ 150 151 ⇔ 170 171 ⇔ 200 201 ⇔ 205 206 ⇔ 210 211 ⇔ 215 214 ⇔ 220 221 ⇔ 225 226 ⇔ 230 231 ⇔ 235 236 ⇔ 240 241 ⇔ 245 246 ⇔ 250 251 ⇔ 255	No function R: 100% G: 0–100% B: 0% R: 100–0% G: 100% B: 0% R: 0% G: 100% B: 0–100% R: 0% G: 100–0% B: 100% R: 0–100% G: 0% B: 100% R: 100% G: 0% B: 0–100% R: 100% G: 0–100% B: 0–100% R: 100–0% G: 100–0% B: 100% R: 100% G: 100% B: 0% A: 100% Color 1 Color 2 Color 3 Color 4 Color 5 Color 6 Color 7 Color 8 Color 9 Color 10 Color 11
–	–	10	Auto programs	000 ⇔ 021 022 ⇔ 043 044 ⇔ 065 066 ⇔ 087 088 ⇔ 109 110 ⇔ 131 132 ⇔ 153 154 ⇔ 175 176 ⇔ 197 198 ⇔ 219 220 ⇔ 241 242 ⇔ 255	No function Auto program 1 Auto program 2 Auto program 3 Auto program 4 Auto program 5 Auto program 6 Auto program 7 Auto program 8 Auto program 9 Auto program 1–9 Sound show
–	–	11	Foreground color dimmer	000 ⇔ 255	0–100%



6Ch	8Ch	16Ch	Function	Value	Percent/Setting
				<b>000 ⇔ 003</b>	Red
				<b>004 ⇔ 007</b>	Green
				<b>008 ⇔ 011</b>	Blue
				<b>012 ⇔ 015</b>	Amber
				<b>016 ⇔ 019</b>	White
				<b>020 ⇔ 023</b>	Purple
				<b>024 ⇔ 027</b>	Red + green
				<b>028 ⇔ 031</b>	Red + blue
				<b>032 ⇔ 035</b>	Red + amber
				<b>036 ⇔ 039</b>	Red + white
				<b>040 ⇔ 043</b>	Red + purple
				<b>044 ⇔ 047</b>	Green + blue
				<b>048 ⇔ 051</b>	Green + amber
				<b>052 ⇔ 055</b>	Green + white
				<b>056 ⇔ 059</b>	Green + purple
				<b>060 ⇔ 063</b>	Blue + amber
				<b>064 ⇔ 067</b>	Blue + white
				<b>068 ⇔ 071</b>	Blue + purple
				<b>072 ⇔ 075</b>	Amber + white
				<b>076 ⇔ 079</b>	Amber + purple
				<b>080 ⇔ 083</b>	White + purple
				<b>084 ⇔ 087</b>	Red + green + blue
				<b>088 ⇔ 091</b>	Red + green + amber
				<b>092 ⇔ 095</b>	Red + green + white
-	-	12	<b>Foreground color</b> (when Channel 10 is set to <b>110 ⇔ 219</b> )	<b>096 ⇔ 099</b>	Red + green + purple
				<b>100 ⇔ 103</b>	Red + blue + amber
				<b>104 ⇔ 107</b>	Red + blue + white
				<b>108 ⇔ 111</b>	Red + blue + purple
				<b>112 ⇔ 115</b>	Red + amber + white
				<b>116 ⇔ 119</b>	Red + amber + purple
				<b>120 ⇔ 123</b>	Red + white + purple
				<b>124 ⇔ 127</b>	Green + blue + amber
				<b>128 ⇔ 131</b>	Green + blue + white
				<b>132 ⇔ 135</b>	Green + blue + purple
				<b>136 ⇔ 139</b>	Blue + amber + white
				<b>140 ⇔ 143</b>	Blue + amber + purple
				<b>144 ⇔ 147</b>	Amber + white + purple
				<b>148 ⇔ 151</b>	Blue + white + purple
				<b>152 ⇔ 155</b>	Green + amber + white
				<b>156 ⇔ 159</b>	Green + amber + purple
				<b>160 ⇔ 163</b>	Green + white + purple
				<b>164 ⇔ 167</b>	Red + green + blue + amber
				<b>168 ⇔ 171</b>	Red + green + blue + white
				<b>172 ⇔ 175</b>	Red + green + blue + purple
			<b>176 ⇔ 179</b>	Red + green + amber + white	
			<b>180 ⇔ 183</b>	Red + green + amber + purple	
			<b>184 ⇔ 187</b>	Red + green + white + purple	
			<b>188 ⇔ 191</b>	Red + blue + amber + white	
			<b>192 ⇔ 195</b>	Red + blue + amber + purple	

6Ch	8Ch	16Ch	Function	Value	Percent/Setting
-	-	12	Foreground color (when Channel 10 is set to 110 ⇔ 219)	196 ⇔ 199	Red + blue + white + purple
				200 ⇔ 203	Red + amber + white + purple
				204 ⇔ 207	Green + blue + amber + white
				208 ⇔ 211	Green + blue + amber + purple
				212 ⇔ 215	Green + blue + white + purple
				216 ⇔ 219	Green + amber + white + purple
				220 ⇔ 223	Blue + amber + white + purple
				224 ⇔ 227	Red + green + blue + amber + white
				228 ⇔ 231	Red + green + blue + amber + purple
				232 ⇔ 235	Red + green + blue + white + purple
				236 ⇔ 239	Red + green + amber + white + purple
				240 ⇔ 243	Red + blue + amber + white + purple
				244 ⇔ 247	Green + blue + amber + white + purple
				248 ⇔ 251	Red + green + blue + amber + white + purple
252 ⇔ 255	Off				
-	-	13	Background color dimmer	000 ⇔ 255	0–100%
-	-	14	Background color (when Channel 10 is set to 110 ⇔ 219)	000 ⇔ 003	Red
				004 ⇔ 007	Green
				008 ⇔ 011	Blue
				012 ⇔ 015	Amber
				016 ⇔ 019	White
				020 ⇔ 023	Purple
				024 ⇔ 027	Red + green
				028 ⇔ 031	Red + blue
				032 ⇔ 035	Red + amber
				036 ⇔ 039	Red + white
				040 ⇔ 043	Red + purple
				044 ⇔ 047	Green + blue
				048 ⇔ 051	Green + amber
				052 ⇔ 055	Green + white
				056 ⇔ 059	Green + purple
				060 ⇔ 063	Blue + amber
				064 ⇔ 067	Blue + white
				068 ⇔ 071	Blue + purple
				072 ⇔ 075	Amber + white
				076 ⇔ 079	Amber + purple
				080 ⇔ 083	White + purple
				084 ⇔ 087	Red + green + blue
				088 ⇔ 091	Red + green + amber
				092 ⇔ 095	Red + green + white
				096 ⇔ 099	Red + green + purple
				100 ⇔ 103	Red + blue + amber
104 ⇔ 107	Red + blue + white				
108 ⇔ 111	Red + blue + purple				
112 ⇔ 115	Red + amber + white				
116 ⇔ 119	Red + amber + purple				
120 ⇔ 123	Red + white + purple				
124 ⇔ 127	Green + blue + amber				

6Ch	8Ch	16Ch	Function	Value	Percent/Setting
-	-	14	<b>Background color</b> (when Channel 10 is set to 110 ⇔ 219)	128 ⇔ 131	Green + blue + white
				132 ⇔ 135	Green + blue + purple
				136 ⇔ 139	Blue + amber + white
				140 ⇔ 143	Blue + amber + purple
				144 ⇔ 147	Amber + white + purple
				148 ⇔ 151	Blue + white + purple
				152 ⇔ 155	Green + amber + white
				156 ⇔ 159	Green + amber + purple
				160 ⇔ 163	Green + white + purple
				164 ⇔ 167	Red + green + blue + amber
				168 ⇔ 171	Red + green + blue + white
				172 ⇔ 175	Red + green + blue + purple
				176 ⇔ 179	Red + green + amber + white
				180 ⇔ 183	Red + green + amber + purple
				184 ⇔ 187	Red + green + white + purple
				188 ⇔ 191	Red + blue + amber + white
				192 ⇔ 195	Red + blue + amber + purple
				196 ⇔ 199	Red + blue + white + purple
				200 ⇔ 203	Red + amber + white + purple
				204 ⇔ 207	Green + blue + amber + white
				208 ⇔ 211	Green + blue + amber + purple
				212 ⇔ 215	Green + blue + white + purple
				216 ⇔ 219	Green + amber + white + purple
				220 ⇔ 223	Blue + amber + white + purple
				224 ⇔ 227	Red + green + blue + amber + white
				228 ⇔ 231	Red + green + blue + amber + purple
				232 ⇔ 235	Red + green + blue + white + purple
				236 ⇔ 239	Red + green + amber + white + purple
240 ⇔ 243	Red + blue + amber + white + purple				
244 ⇔ 247	Green + blue + amber + white + purple				
248 ⇔ 251	Red + green + blue + amber + white + purple				
252 ⇔ 255	Off				
-	-	15	<b>Auto speed</b>	000 ⇔ 255	Auto speed, slow to fast
			<b>Sound sensitivity</b> (when Channel 10 is set to 242 ⇔ 255)	000 ⇔ 010	Sound sensitivity off
				011 ⇔ 255	Control sound sensitivity
-	-	16	<b>Dimmer speed mode</b>	000 ⇔ 051	Preset dimmer speed from display menu
				052 ⇔ 101	Dimmer speed mode off
				102 ⇔ 152	Dimmer speed mode 1 (fastest)
				153 ⇔ 203	Dimmer speed mode 2
				204 ⇔ 255	Dimmer speed mode 3 (slowest)

## Standalone Configuration

Set the product in one of the standalone modes to control without a DMX controller.



**Never connect a product that is operating in any standalone mode to a DMX string connected to a DMX controller. Products in standalone mode may transmit DMX signals that could interfere with the DMX signals from the controller.**

### Preset Color Mode

To run the Freedom Par H9 IP on a preset static color, follow the instructions below:

1. Press **<MENU>** repeatedly until **Static** shows on the display.
2. Press **<ENTER>**.
3. Use **<UP>** or **<DOWN>** to select **Preset**.
4. Press **<ENTER>**.
5. Use **<UP>** or **<DOWN>** to select a preset color, from **Red, Green, Blue, Amber, White, UV, Yellow, Magenta, Sunset, Cyan, Lime Green, High Power White, Sol, Seafoam, Turquoise, Orange, Baby Blue, Hot Pink, Emerald, Ocean, Baby Pink, Goldenrod, Sky, Lavender, Faded Orange, Fuschia, Ambient, Radioactive Green, Sapphire, UV Red, UV Yellow, UV Green, UV Blue, Orange Cream, Dusk, 2700K, 3500K, 4000K, 5000K, or 6000K..**
6. Press **<ENTER>**.

### Fixed Color Mode

To run the Freedom Par H9 IP on a single static color or a combination of static colors, do the following:

1. Press **<MENU>** repeatedly until **Static** shows on the display.
2. Press **<ENTER>**.
3. Use **<UP>** or **<DOWN>** to select **Fixed Color**.
4. Press **<ENTER>**.
5. Use **<UP>** or **<DOWN>** to select a static color, from **R, G, B, A, W, P, RG, RB, RA, RW, RB, GB, GA, GW, GP, BA, BW, BP, AW, AP, WP, RGB, RGA, RGW, RGP, RBA, RBW, RBP, RAW, RAP, RWP, GBA, GBW, GBP, BAW, BAP, AWP, BWP, GAW, GAP, GWP, RGBA, RGBW, RGBP, RGAW, RGAP, RGWP, RBAW, RBAP, RBWP, RAWP, GBAW, GBAP, GBWP, GAWP, BAWP, RGBAW, RGBAP, RGBWP, RGAWP, RBAWP, GBAWP, or RGBAWP.**
6. Press **<ENTER>**.

### Custom Color Mixing

To custom mix a static color, do the following:

1. Press **<MENU>** repeatedly until **Static** shows on the display.
2. Press **<ENTER>**.
3. Use **<UP>** or **<DOWN>** to select **Manual Color**.
4. Press **<ENTER>**.
5. Press **<ENTER>** and one of the following will show on display.
  - **R=\_\_\_\_\_** (red)
  - **G=\_\_\_\_\_** (green)
  - **B=\_\_\_\_\_** (blue)
  - **A=\_\_\_\_\_** (amber)
  - **W=\_\_\_\_\_** (white)
  - **P=\_\_\_\_\_** (purple)
6. Press **<ENTER>** to cycle through the color settings.
7. When the desired color shows on the display, use **<UP>** or **<DOWN>** to increase or decrease the color value, from **0–255** (red, green, blue, amber).
8. Repeat steps 5 and 6 until the product outputs as desired.

### Automatic Programs

To run the Freedom Par H9 IP in automatic mode, follow the instructions below:

1. Press **<MENU>** repeatedly until **Auto Show** is displayed.
2. Press **<ENTER>**.
3. Use **<UP>** or **<DOWN>** to select an automatic program, from **Auto 1–9**.
4. Press **<ENTER>**.

To choose a foreground or background color for the auto programs, do the following:

1. Follow steps 1–4 above to select an automatic program.
2. Use **<UP>** or **<DOWN>** to select between **FG Color** (foreground color) and **BG Color** (background color).
3. Press **<ENTER>**.
4. Use **<UP>** or **<DOWN>** to select a static color, from **R, G, B, A, W, P, RG, RB, RA, RW, RP, GB, GA, GW, GP, BA, BW, BP, AW, AP, WP, RGB, RGA, RGW, RGP, RBA, RBW, RBP, RAW, RAP, RWP, GBA, GBW, GBP, BAW, BAP, AWP, BWP, GAW, GAP, GWP, RGBA, RGBW, TRGBP, RGAW, RGAP, RGWP, RBAW, RBAP, RBWP, RAWP, BGBAW, GBAP, GBWP, GAWP, BAWP, RGBAW, RGBAP, RGBWP, RGAWP, RBAWP, GBAWP, RGBAWP**, or **Off** (turns off foreground or background color).
5. Press **<ENTER>**.



The foreground and background color options are available only for auto programs 5–9.

To change the auto-program speed on the Freedom Par H9 IP, do the following:

1. Follow steps 1–4 above to select an automatic program.
2. Use **<UP>** or **<DOWN>** to select **Speed**.
3. Press **<ENTER>**.
4. Use **<UP>** or **<DOWN>** to increase or decrease the program speed, from **0–100**.
5. Press **<ENTER>**. The product will return to the last selected mode.

### Sound Sensitivity

To set the sound sensitivity on the Freedom Par H9 IP, follow the instructions below:

1. Press **<MENU>** repeatedly until **Sound Show** is displayed.
2. Press **<ENTER>**.
3. Use **<UP>** or **<DOWN>** to increase or decrease the sound sensitivity, from **000–100**.
4. Press **<ENTER>**.

### White Balance

To adjust the white balance:

1. Press **<MENU>** repeatedly until **White Balance** is displayed.
2. Press **<ENTER>**.
3. Use **<UP>** or **<DOWN>** to select **Manual** or **Off**.
4. Press **<ENTER>**.
5. Press **<ENTER>** and one of the following will show on display.
  - **R=\_\_\_\_\_** (red)
  - **G=\_\_\_\_\_** (green)
  - **B=\_\_\_\_\_** (blue)
  - **A=\_\_\_\_\_** (amber)
  - **W=\_\_\_\_\_** (white)
  - **P=\_\_\_\_\_** (purple)
6. Press **<ENTER>** to cycle through the color settings.
7. When the desired color shows on the display, use **<UP>** or **<DOWN>** to increase or decrease the color value, from **0–255** (red, green, blue, amber, white, or purple).
8. Repeat steps 5 and 6 until the product outputs as desired.

## D-Fi Setting

To adjust the settings of the built-in D-Fi on the Freedom Par H9 IP, do the following:

1. Press **<MENU>** repeatedly until **D-Fi Setting** shows on the display.
2. Press **<ENTER>**.

To activate or deactivate the D-Fi mode on the Freedom Par H9 IP, follow the instructions below:

1. Access the D-Fi Setting menu to select the **D-Fi On/Off** option.
2. Use **<UP>** or **<DOWN>** to select **On** (to activate D-Fi mode) or **Off** (to deactivate D-Fi mode).
3. Press **<ENTER>**.

To set which D-Fi mode the Freedom Par H9 IP will follow, do the following:

1. Access the D-Fi Setting menu to select the **D-Fi Mode** option.
2. Use **<UP>** or **<DOWN>** to select **Receive** (to set the product to receive D-Fi signal) or **Transmit** (to set the product to transmit D-Fi signal).
3. Press **<ENTER>**.

To set the D-Fi channel on the Freedom Par H9 IP, follow the instructions below:

1. Access the D-Fi Setting menu to select the **D-Fi Channel** option.
2. Use **<UP>** or **<DOWN>** to set the D-Fi channel, from **CH01–CH16**.
3. Press **<ENTER>**.

## RF Setting

To set how the Freedom Par H9 IP will receive RF signal and work with RF remotes, do the following:

1. Press **<MENU>** repeatedly until **RF Setting** shows on the display.
2. Press **<ENTER>**.
3. Use **<UP>** or **<DOWN>** to select from the following: **Link** (to link the product to a single RF remote), **Public** (to allow the fixture to respond to all RF signals), **Group** (to set which group of fixture the RFC/RFC-XL remote will control), or **Off** (to turn off RF reception).
4. Press **<ENTER>**.

To set the RF Group:

5. Use **<UP>** or **<DOWN>** to select **Group 1–4**.
6. Press **<ENTER>**.

## Run Time

To adjust the run time on the Freedom Par H9 IP:

1. Press **<MENU>** repeatedly until **Run Time** shows on the display.
2. Press **<ENTER>**.
3. Use **<UP>** or **<DOWN>** to select the number of hours the fixture will run: **3 Hours**, **5 Hours**, **8 Hours**, **12 Hours**, or **Off**.
4. Press **<ENTER>**.



**The maximum output is inversely proportional to the run time: The brighter the output, the less run time available.**

## Dimmer Mode

To select the dimmer mode, follow the instructions below:

1. Press **<MENU>** repeatedly until **Dimmer Mode** shows on the display.
2. Press **<ENTER>**.
3. Use **<UP>** or **<DOWN>** to select from **Dimmer 1** (fastest) to **3** (slowest) or **Off** (linear dimmer).
4. Press **<ENTER>**.

## Display Back Light

To select how long a period of inactivity before the display automatically turns off, do the following:

1. Press **<MENU>** repeatedly until **Dimmer Mode** shows on the display.
2. Press **<ENTER>**.
3. Use **<UP>** or **<DOWN>** to select the back light timer: **10S** (10 seconds), **30S** (30 seconds), **2Min** (2 minutes), or **Always On**.
4. Press **<ENTER>**.

## Operation

---

### Password

To password protect a Freedom Par H9 IP fixture, follow the instructions below:

1. Press **<MENU>** repeatedly until **Password** shows on the display. Press **<ENTER>**.
2. Use **<UP>** or **<DOWN>** to select **On** (activates password protection) or **Off** (deactivates password protection).
3. Press **<ENTER>**.



When the password protection is activated, the product will prompt for the passcode in order to access the menu. The passcode is: **<UP>**, **<DOWN>**, **<UP>**, **<DOWN>**, **<ENTER>**.

### Product Information

To view the product information, do the following:

1. Press **<MENU>** repeatedly until **Information** shows on the display. Press **<ENTER>**.
2. Use **<UP>** or **<DOWN>** to choose among:
  - **Fixture Hours** – to display the number of hours the fixture has been powered on
  - **LED Hours** – to display the total LED hours used
  - **Version** – to display the current software version of the fixture

### Factory Reset

To reset the product to factory default settings, follow the instructions below:

1. Press **<MENU>** repeatedly until **Information** shows on the display. Press **<ENTER>**.
2. Use **<UP>** or **<DOWN>** to select **No** (cancel) or **Yes** (reset).
3. Press **<ENTER>**.

## Master/Slave Mode

The Master/Slave mode allows a single Freedom Par H9 IP product (the “master”) to control the actions of one or more Freedom Par H9 IP products (the “slaves”) without the need of a DMX controller. The master product will be set to operate in Standalone, whereas the slave products will be set to operate in Slave mode. Once set and connected, the slave products will operate in unison with the master product. Configure the products as indicated below.

### Slave products:

1. Press **<MENU>** repeatedly until **D-Fi Setting** shows on the display. Press **<ENTER>**.
2. Use **<UP>** or **<DOWN>** to select **D-Fi Mode**. Press **<ENTER>**.
3. Use **<UP>** or **<DOWN>** to select **Receive**. Press **<ENTER>**.
4. Press **<MENU>** repeatedly until **Slave Setting** shows on the display. Press **<ENTER>**.
5. Use **<UP>** or **<DOWN>** to select the slave unit(s), from **Slave1–4**. Press **<ENTER>**.
6. Set the DMX address to **001**.
7. Set the D-Fi to receive a specific channel, **CH01–CH16**.
8. Finish setting and connecting all the slave products.

### Master product:

1. Set the master product to operate in standalone mode.
2. Set the D-Fi to transmit on the D-Fi channel the slaves are receiving on.
  - **For more information on how to activate the Freedom Par H9 IP built-in D-Fi, see [D-Fi Setting](#).**
  - **All products must be set to the same DMX personality, DMX address, and D-Fi channel.**
  - **Configure all the slave products before configuring the master to transmit.**
  - **Never connect a DMX controller to a D-Fi channel configured for Master/Slave operation because the controller may interfere with the signals from the master.**





## RFC Remote Control

The Freedom Par H9 IP can be operated with an RFC remote (comes with Freedom Par H9 IPX4) or an RFC-XL remote (sold separately). To enable RF control, follow the instructions below:

1. Press **<MENU>** repeatedly until **RF Settings** shows on the display.
2. Press **<ENTER>**.
3. Use **<UP>** or **<DOWN>** to select among **Link** (links the fixture to a single RF remote), **Public** (enables the fixture to respond to all RF signals), **Group** (sets which group of fixture the RFC/RFC-XL remote will control), or **Off** (deactivates RF linking).
4. Press **<ENTER>**.



For more information about using an RFC or RFC-XL remote, download the user manuals from [www.chauvetdj.com](http://www.chauvetdj.com)

## RFC Remote Control Operation



### Automatic Mode

Automatic mode will enable you to run the automatic programs on the product.

To turn on Automatic mode:

1. Press **<AUTO>**.
2. Press **<+>** or **<->** to choose between the different auto programs.

To adjust the speed of the automatic program:

1. Press **<SPEED>**.
2. Press **<+>** or **<->** to increase or decrease the speed of the program.

### Sound-Active Mode

To turn on Sound-Active mode:

1. Press **<SOUND>**.
2. Press **<+>** or **<->** to select a sound-active program.

To adjust the sound sensitivity:

1. Press **<SPD/SENS>**.
2. Press **<+>** or **<->** to increase or decrease the sensitivity.

### Freeze

To stop all movement and color chasing in all fixtures:

1. Press **<FREEZE>**.

### Color Control

To cycle through the product's preset static colors:

1. Press **<PRESET/COLOR>**.
2. Press **<+>** or **<->** to select among the preset static colors.

To manually adjust a color:

1. Press **<MANUAL>**.
2. Select the color to be edited, from **<R>** (red), **<G>** (green), **<B>** (blue), or **<A>** (amber), **<W>** (white), and **<UV>** (purple).
3. Press **<+>** or **<->** to increase or decrease the value of the selected color.
4. Repeat steps 2 and 3 until the product outputs as desired.

### Strobe

To adjust the strobe rate of the product:

1. Press **<STROBE>**.
2. Press **<+>** or **<->** to increase or decrease the strobe rate.
3. Press **<STROBE>** again to turn off the strobe.

### Dimmer

To adjust the total output of the product:

1. Press **<DIMMER>**.
2. Press **<+>** or **<->** to increase or decrease the output level.

### Black Out

To black out the lights of the product:

1. Press **<BLACK OUT>**. This will turn off all the lights until the button is pressed again.



The RFC remote will not respond to any inputs when Freeze or Black Out is activated. If the remote does not respond when a button is pressed, try pressing **<FREEZE>** or **<BLACK OUT>**. You may have inadvertently activated Freeze or Black Out.

## 5. Maintenance

### Product Maintenance

Dust build-up reduces light output performance and can cause overheating. This can lead to reduction of the light source's life and/or mechanical wear. To maintain optimum performance and minimize wear, clean all lighting products at least twice a month. However, be aware that usage and environmental conditions could be contributing factors to increase the cleaning frequency.

To clean the product, follow the instructions below:

1. Unplug the product from power.
2. Wait until the product is at room temperature.
3. Use a vacuum (or dry compressed air) and a soft brush to remove dust collected on the external surface/vents.
4. Clean all transparent surfaces with a mild soap solution, ammonia-free glass cleaner, or isopropyl alcohol.
5. Apply the solution directly to a soft, lint-free cotton cloth or a lens-cleaning tissue.
6. Softly drag any dirt or grime to the outside of the transparent surface.
7. Gently polish the transparent surfaces until they are free of haze and lint.



**Always dry the transparent surfaces carefully after cleaning them.**

## 6. Technical Specifications

### Dimensions and Weight

#### Freedom Par H9 IP

Length	Width	Height	Weight
4.7 in (120 mm)	4.7 in (120 mm)	4.9 in (126 mm)	4.6 lb (2.1 kg)

#### Freedom Par H9 IPX4

Length	Width	Height	Weight
13.7 in (349 mm)	15.8 in (402 mm)	7.2 in (183 mm)	26.7 lb (12.1 kg)

**Note:** Dimensions in inches rounded to the nearest hundredth.

### Power

Power Supply Type	Range
External	24 VDC, 50/60 Hz

Parameter	120 V, 60 Hz	230 V, 50 Hz
Consumption	50 W	50 W
Operating current	0.7 A	0.4 A

### Light Source

Type	Quantity	Color	Power	Current	Lifespan
LED	9	Hex-color RGBAW+UV	10 W	5.7 A	50,000 hours

### Photometrics

Parameter	Value (without diffuser)	Value (with diffuser)
Strobe rate	1 to 25 Hz	1 to 25 Hz
Beam angle	23°	40°
Field angle	46°	79°
Illuminance @ 2 m	1,249 lux	432 lux

### Thermal

Maximum External Temperature	Cooling System
104 °F (40 °C)	Convection

### DMX

Input/Output	Channel Range
D-Fi	6, 8, or 16

### Ordering

Product Name	Item Code	UPC Number
Freedom Par H9 IP	03032027	781462223755
Freedom Par H9 IPX4	03032028	781462223762



## Contact Us

General Information	Technical Support
<b>Chauvet World Headquarters</b>	
Address: 3360 Davie Rd. Davie, FL 33314 Voice: (954) 577-4455 Fax: (954) 929-5560 Toll Free: (800) 762-1084	Voice: (844) 393-7575 Fax: (954) 756-8015 Email: <a href="mailto:chauvetcs@chauvetlighting.com">chauvetcs@chauvetlighting.com</a> Website: <a href="http://www.chauvetprofessional.com">www.chauvetprofessional.com</a>
<b>Chauvet U.K.</b>	
Address: Pod 1 EVO Park Little Oak Drive, Sherwood Park, Nottinghamshire, NG15 0EB UK Voice: +44 (0) 1773 511115 Fax: +44 (0) 1773 511110	Email: <a href="mailto:UKtech@chauvetlighting.eu">UKtech@chauvetlighting.eu</a> Website: <a href="http://www.chauvetprofessional.eu">www.chauvetprofessional.eu</a>
<b>Chauvet Benelux</b>	
Address: Stokstraat 18 9770 Kruishoutem Belgium Voice: +32 9 388 93 97	Email: <a href="mailto:BNLtech@chauvetlighting.eu">BNLtech@chauvetlighting.eu</a> Website: <a href="http://www.chauvetprofessional.eu">www.chauvetprofessional.eu</a>
<b>Chauvet France</b>	
Address: 3, Rue Ampère 91380 Chilly-Mazarin France Voice: +33 1 78 85 33 59	Email: <a href="mailto:FRtech@chauvetlighting.fr">FRtech@chauvetlighting.fr</a> Website: <a href="http://www.chauvetprofessional.eu">www.chauvetprofessional.eu</a>
<b>Chauvet Germany</b>	
Address: Bruno-Bürgel-Str. 11 28759 Bremen Germany Voice: +49 421 62 60 20	Email: <a href="mailto:DEtech@chauvetlighting.de">DEtech@chauvetlighting.de</a> Website: <a href="http://www.chauvetprofessional.eu">www.chauvetprofessional.eu</a>
<b>Chauvet Mexico</b>	
Address: Av. de las Partidas 34 - 3B (Entrance by Calle 2) Zona Industrial Lerma Lerma, Edo. de México, CP 52000 Voice: +52 (728) 690-2010	Email: <a href="mailto:servicio@chauvet.com.mx">servicio@chauvet.com.mx</a> Website: <a href="http://www.chauvetprofessional.mx">www.chauvetprofessional.mx</a>

## Warranty & Returns

For warranty terms and conditions and return information, please visit our website.

For customers in the United States and Mexico: [www.chauvetlighting.com/warranty-registration](http://www.chauvetlighting.com/warranty-registration).

For customers in the United Kingdom, Republic of Ireland, Belgium, the Netherlands, Luxembourg, France, and Germany: [www.chauvetlighting.eu/warranty-registration](http://www.chauvetlighting.eu/warranty-registration).