

# FLEXstand

User Manual



 **CHAUVET** **3**

## Edition Notes

The FLEXstand User Manual includes a description, safety precautions, installation, programming, operation, and maintenance instructions for the FLEXstand as of the release date of this edition.

### Trademarks

Chauvet, Chauvet DJ, the Chauvet logo, and FLEXstand are registered trademarks or trademarks of Chauvet & Sons, LLC (d/b/a Chauvet and Chauvet Lighting) in the United States and other countries. Other company and product names and logos referred to herein may be trademarks of their respective companies.

### Copyright Notice

The works of authorship contained in this manual, including, but not limited to, all designs, text, and images are owned by Chauvet.

© **Copyright 2024 Chauvet & Sons, LLC. All rights reserved.**

Electronically published by Chauvet in the United States of America.

### Manual Use

Chauvet authorizes its customers to download and print this manual for professional information purposes only. Chauvet expressly prohibits the usage, copy, storage, distribution, modification, or printing of this manual or its content for any other purpose without written consent from Chauvet.

### Document Printing

For best results, print this document in color, on letter size paper (8.5 x 11 in), double-sided. If using A4 paper (210 x 297 mm), configure the printer to scale the content accordingly.

### Intended Audience

Any person installing, operating, and/or maintaining this product should completely read through the guide that shipped with the product, as well as this manual, before installing, operating, or maintaining this product.

### Disclaimer

Chauvet believes that the information contained in this manual is accurate in all respects. However, Chauvet assumes no responsibility and specifically disclaims any and all liability to any party for any loss, damage, or disruption caused by any errors or omissions in this document, whether such errors or omissions result from negligence, accident, or any other cause. Chauvet reserves the right to revise the content of this document without any obligation to notify any person or company of such revision; however, Chauvet has no obligation to make, and does not commit to make, any such revisions.

### Document Revision

Go to [www.chauvetdj.com](http://www.chauvetdj.com) for the latest version.

Revision	Date	Description
1	01/2024	Initial release.

---

## TABLE OF CONTENTS

<b>1. Before You Begin .....</b>	<b>1</b>
What Is Included .....	1
Unpacking Instructions.....	1
Claims .....	1
Text Conventions .....	1
Symbols .....	1
Safety Notes.....	1
<b>2. Introduction.....</b>	<b>2</b>
Product Dimensions .....	2
<b>3. Setup.....</b>	<b>3</b>
Mounting .....	3
<b>4. Operation.....</b>	<b>4</b>
Telescoping Pole.....	4
<b>5. Maintenance .....</b>	<b>5</b>
Product Maintenance .....	5
<b>6. Technical Specifications.....</b>	<b>6</b>
<b>Contact Us.....</b>	<b>7</b>
Warranty & Returns.....	7

# 1. Before You Begin

## What Is Included

- Base plate
- Telescoping pole
- Carry bag
- 4 flush mount screws and key
- 2 T knobs
- Quick Reference Guide

## Unpacking Instructions

Carefully unpack the product immediately and check the container to make sure all the parts are in the package and are in good condition.

## Claims





If the box or the contents (the product and included accessories) appear damaged from shipping, or show signs of mishandling, notify the carrier immediately, not Chauvet. Failure to report damage to the carrier immediately may invalidate a claim. In addition, keep the box and contents for inspection.

For other issues, such as missing components or parts, damage not related to shipping, or concealed damage, file a claim with Chauvet within 7 days of delivery.

## Text Conventions

Convention	Meaning
<b>1–512</b>	A range of values
<b>50/60</b>	A set of values of which only one can be chosen
<b>Settings</b>	A menu option not to be modified
<b>&lt;ENTER&gt;</b>	A key to be pressed on the product’s control panel
<b>ON</b>	A value to be entered or selected

## Symbols

Symbol	Meaning
	Electrical warning. Not following these instructions may cause electrical damage to the product, accessories, or the user.
	Critical installation, configuration, or operation information. Not following these instructions may make the product not work, cause damage to the product, or cause harm to the operator.
	Important installation or configuration information. The product may not function correctly if this information is not used.
	Useful information.

## Safety Notes

These Safety Notes include important information about installation, use, and maintenance of the FLEXstand.



- ♦ Carefully inspect all parts before use.
- ♦ **WARNING:** This product should only be used by competent and qualified persons.



**Pinch Point! Keep hands and fingers clear of mounted products while adjusting.**

■ **DO NOT:**



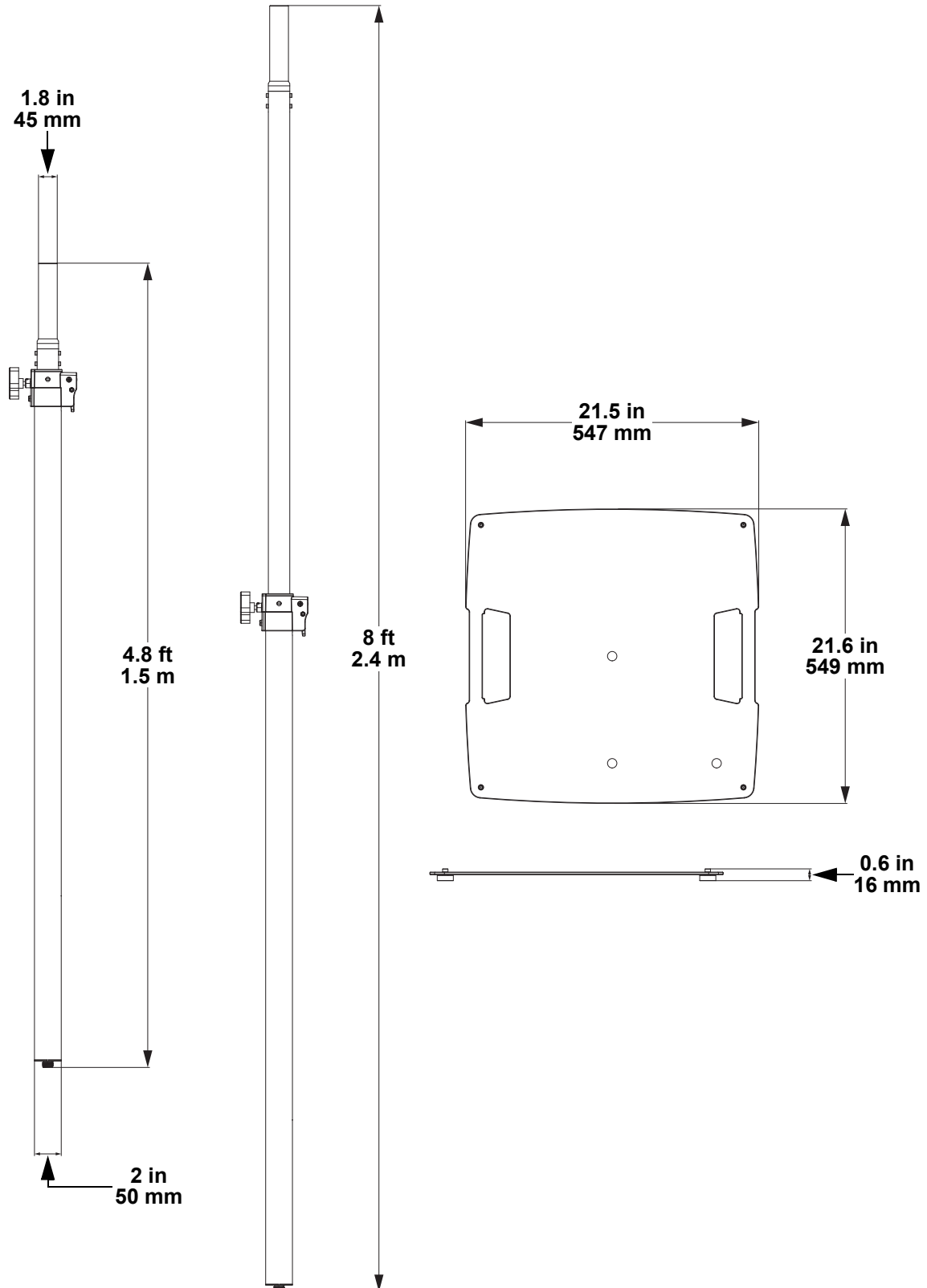
- ♦ Transport while assembled. Fully dismantle the FLEXstand before transporting.
- ♦ Use for loads that exceed the maximums provided in the Technical Specifications in this User Manual.
- ♦ Use if any components are cracked or appear compromised.



**Keep this User Manual for future use. If the product is sold to someone else, be sure that they also receive this document.**

## 2. Introduction

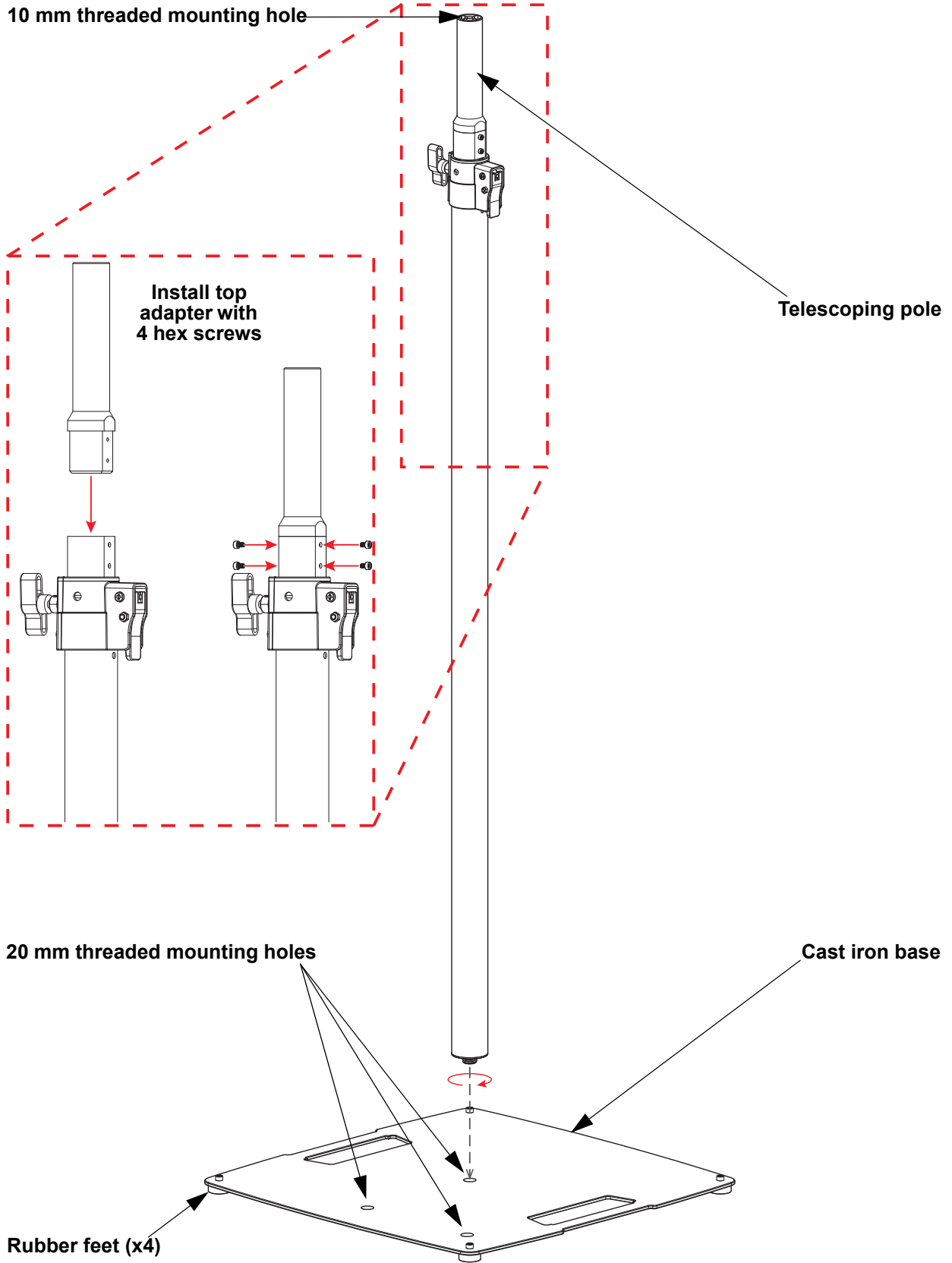
### Product Dimensions



### 3. Setup

#### Mounting

10 mm threaded mounting hole



## 4. Operation

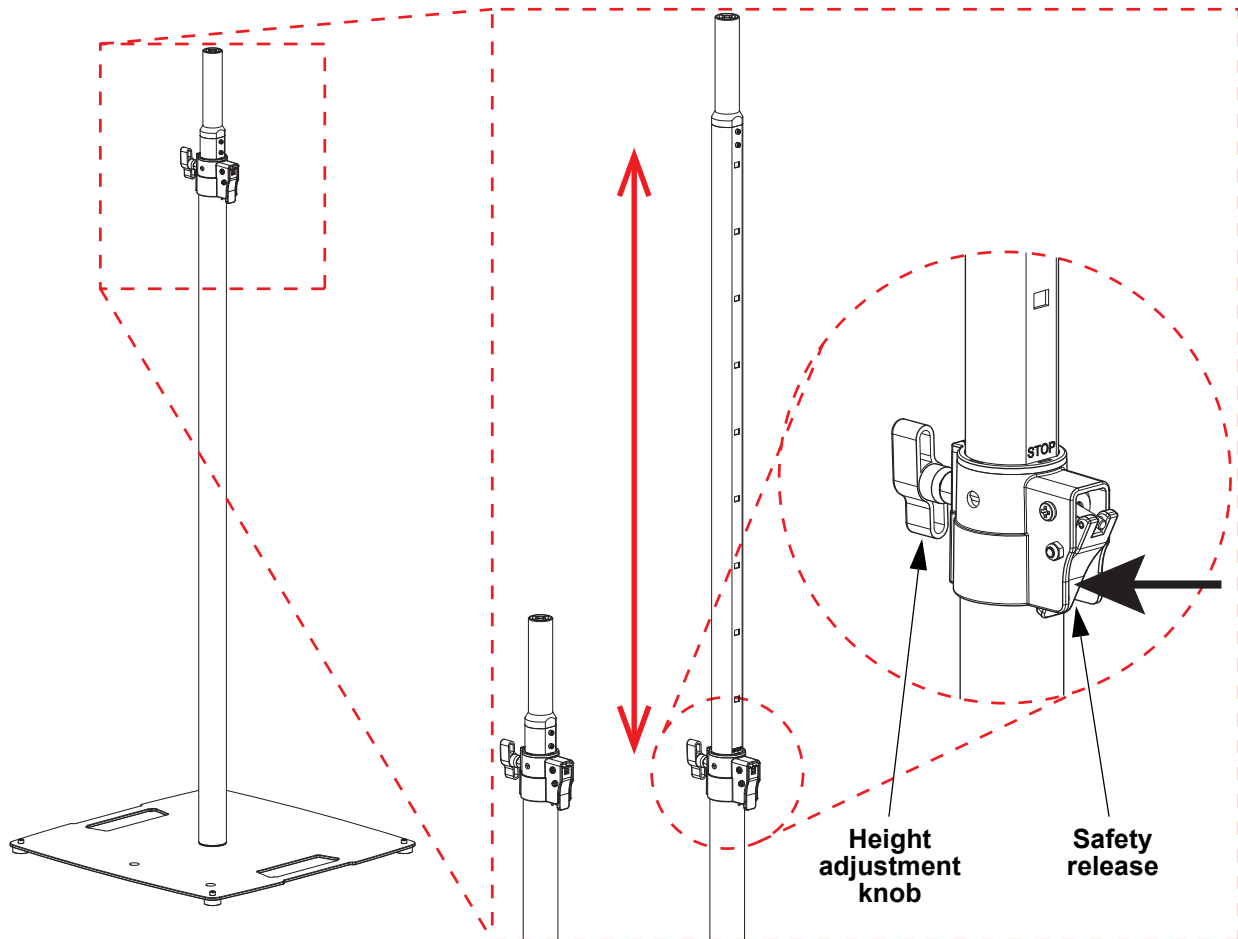
### Telescoping Pole

To increase the height of the telescoping pole:

1. Loosen the height adjustment knob.
2. Adjust until the safety release clicks into place at the desired height.
3. Tighten the height adjustment knob.

To decrease the height of the telescoping pole:

1. Loosen the height adjustment knob.
2. Press in and hold the safety release.
3. Adjust to the desired height and let go of the safety release.
4. Adjust until the safety release clicks into place.
5. Tighten the height adjustment knob.



## 5. Maintenance

### Product Maintenance

To maintain optimum performance and minimize wear, clean all products at least twice a month. However, be aware that usage and environmental conditions could be contributing factors to increase the cleaning frequency.

To clean the product, use a vacuum (or dry compressed air) and a soft brush to remove dust collected on the external surface.



## 6. Technical Specifications

### Dimensions and Weight

Pole Height	Pole Diameter (Bottom)	Pole Diameter (Top)	Total Weight
4.8 to 8 ft (1.5 to 2.4 m)	2 in (50 mm)	1.8 in (45 mm)	44 lb (20 kg)
Base Length	Base Width	Base Height	Base Weight
21.5 in (547 mm)	21.6 in (549 mm)	0.6 in (16 mm)	36 lb (16 kg)

### Capacity and Compatibility

Load Capacity	Threaded Insert (Base)	Threaded Insert (Pole Top)
150 lb (68 kg)	20 mm	10 mm

### Ordering

Product Name	Item Code	UPC Number
FLEXstand (Black)	13111829	781462221775
FLEXstand (White)	22112000	781462223489



## Contact Us

General Information	Technical Support
<b>Chauvet World Headquarters</b>	
Address: 3360 Davie Rd., Suite 509 Davie, FL 33314 Voice: (954) 577-4455 Fax: (954) 929-5560 Toll Free: (800) 762-1084	Voice: (844) 393-7575 Fax: (954) 756-8015 Email: <a href="mailto:chauvetcs@chauvetlighting.com">chauvetcs@chauvetlighting.com</a>  Website: <a href="http://www.chauvetdj.com">www.chauvetdj.com</a>
<b>Chauvet U.K.</b>	
Address: Pod 1 EVO Park Little Oak Drive, Sherwood Park Nottinghamshire, NG15 0EB UK Voice: +44 (0) 1773 511115 Fax: +44 (0) 1773 511110	Email: <a href="mailto:UKtech@chauvetlighting.eu">UKtech@chauvetlighting.eu</a>  Website: <a href="http://www.chauvetdj.eu">www.chauvetdj.eu</a>
<b>Chauvet Benelux</b>	
Address: Stokstraat 18 9770 Kruishoutem Belgium Voice: +32 9 388 93 97	Email: <a href="mailto:BNLtech@chauvetlighting.eu">BNLtech@chauvetlighting.eu</a>  Website: <a href="http://www.chauvetdj.eu">www.chauvetdj.eu</a>
<b>Chauvet France</b>	
Address: 3, Rue Ampère 91380 Chilly-Mazarin France Voice: +33 1 78 85 33 59	Email: <a href="mailto:FRtech@chauvetlighting.fr">FRtech@chauvetlighting.fr</a>  Website: <a href="http://www.chauvetdj.eu">www.chauvetdj.eu</a>
<b>Chauvet Germany</b>	
Address: Bruno-Bürgel-Str. 11 28759 Bremen Germany Voice: +49 421 62 60 20	Email: <a href="mailto:DEtech@chauvetlighting.de">DEtech@chauvetlighting.de</a>  Website: <a href="http://www.chauvetdj.eu">www.chauvetdj.eu</a>
<b>Chauvet Mexico</b>	
Address: Av. de las Partidas 34 - 3B (Entrance by Calle 2) Zona Industrial Lerma Lerma, Edo. de México, CP 52000 Voice: +52 (728) 690-2010	Email: <a href="mailto:servicio@chauvet.com.mx">servicio@chauvet.com.mx</a>  Website: <a href="http://www.chauvetdj.mx">www.chauvetdj.mx</a>

## Warranty & Returns

For warranty terms and conditions and return information, please visit our website.

For customers in the United States and Mexico: [www.chauvetlighting.com/warranty-registration](http://www.chauvetlighting.com/warranty-registration).

For customers in the United Kingdom, Republic of Ireland, Belgium, the Netherlands, Luxembourg, France, and Germany: [www.chauvetlighting.eu/warranty-registration](http://www.chauvetlighting.eu/warranty-registration).