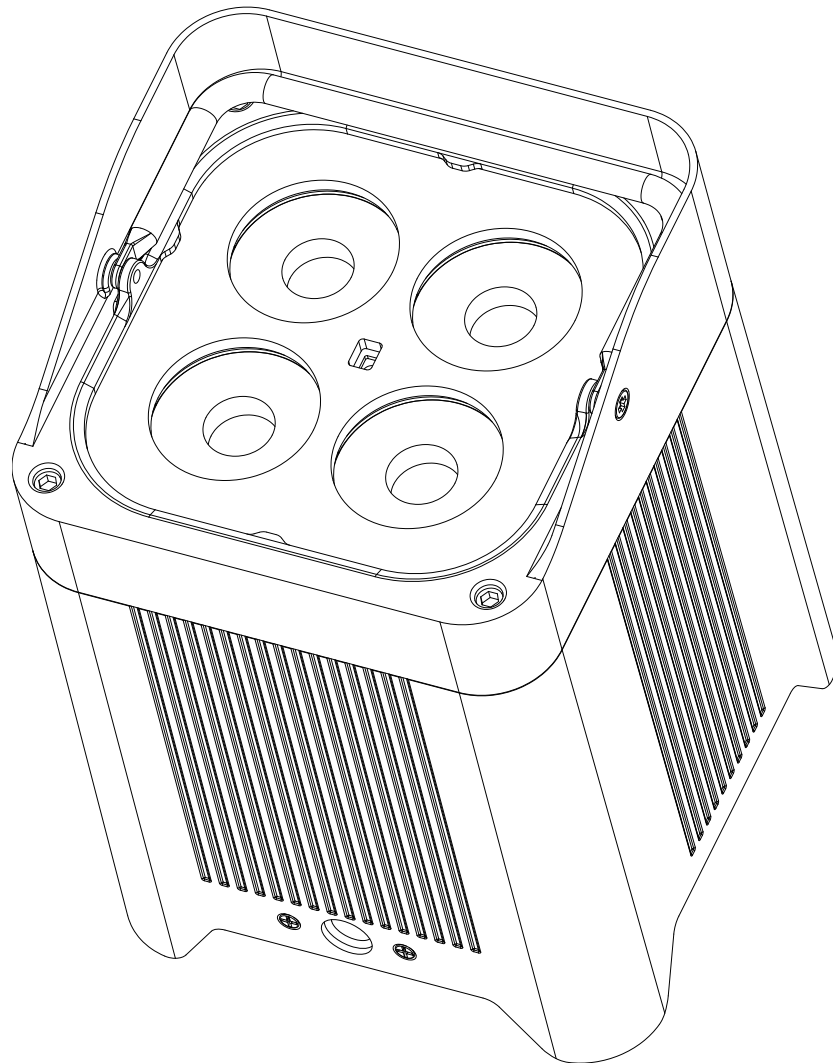


WELL FIT

WIRELESS EVENT LED LUMINAIRE

Quick Reference Guide

English	EN
Español	ES
Français	FR
Deutsche	DE
Nederlands	NL




CHAUVET
PROFESSIONAL

About This Guide

The WELL Fit Quick Reference Guide (QRG) has basic product information such as connection, mounting, menu options, and DMX values. Download the User Manual from www.chauvetprofessional.com for more details.

Disclaimer

The information and specifications contained in this QRG are subject to change without notice.

LIMITED WARRANTY

FOR WARRANTY REGISTRATION AND COMPLETE TERMS AND CONDITIONS PLEASE VISIT OUR WEBSITE.

For Customers in the United States and Mexico: www.chauvetlighting.com/warranty-registration.

For Customers in the United Kingdom, Republic of Ireland, Belgium, the Netherlands, Luxembourg, France, and Germany: www.chauvetlighting.eu/warranty-registration.

Chauvet warrants that this product shall be free from defects in material and workmanship under normal use, for the period specified in, and subject to the exclusions and limitations set forth in the full limited warranty on our website. This warranty extends only to the original purchaser of the product and is not transferable. To exercise rights under this warranty, you must provide proof of purchase in the form of an original sales receipt from an authorized dealer that shows the product name and date of purchase. THERE ARE NO OTHER EXPRESS OR IMPLIED WARRANTIES. This warranty gives you specific legal rights. You may also have other rights that vary from state to state and country to country. This warranty is valid only in the United States, United Kingdom, Republic of Ireland, Belgium, the Netherlands, Luxembourg, France, Germany and Mexico. For warranty terms in other countries, please consult your local distributor.

Safety Notes

- DO NOT open this product. It contains no user-serviceable parts.
- DO NOT look at the light source when the product is on.
- Only use the retractable foot to tilt the product.
- Be sure retractable foot is closed completely before inserting into the charging case.
- Do not operate the product in a sealed enclosure or in an area without air circulation.
- To eliminate unnecessary wear and improve its lifespan, during periods of non-use completely disconnect the product from power via breaker or by unplugging it.
- CAUTION: When transferring product from extreme temperature environments, (e.g. cold truck to warm humid ballroom) condensation may form on the internal electronics of the product. To avoid causing a failure, allow product to fully acclimate to the surrounding environment before connecting it to power.
- CAUTION: This product's housing may be hot when lights are operating.
- Mount this product in a location with adequate ventilation, at least 20 in (50 cm) from adjacent surfaces.
- DO NOT leave any flammable material within 50 cm of this product while operating or connected to power.
- USE a safety cable when mounting this product overhead.
- DO NOT submerge this product (IP65).
- DO NOT operate this product if the housing, lenses, or cables appear damaged.
- DO NOT connect the charging case to a dimmer or rheostat.
- **It is not recommended to close the road case cover while charging the battery unless the procedure is monitored.**
- ONLY connect this product to a grounded and protected circuit.
- ONLY use the handle to carry this product.
- In the event of a serious operating problem, stop using immediately.
- The maximum ambient temperature is 113 °F (45 °C). Do not operate this product at higher temperatures.

Contact

Outside the U.S., United Kingdom, Ireland, Mexico, France, Germany, or Benelux, contact your distributor to request support or return a product. From inside the U.S., UK, Ireland, Mexico, France, Germany, or Benelux, use the information in [Contact Us](#) at the end of this QRG.

What is Included

- 6–WELL Fit
- Neutrik powerCON power cord
- IR remote
- Charging case
- Warranty Card
- Quick Reference Guide

AC Power

This charging case has an auto-ranging power supply that can work with an input voltage range of 100–240 VAC, 50/60 Hz.

Power Linking

You can link up to 5 WELL Fit products at 120 VAC, 9 products at 208 VAC, or 9 at 230 VAC. Never exceed this number. Power linking cords can be purchased separately.

AC Plug

Connection	Wire (U.S.)	Wire (Europe)	Screw Color
AC Live	Black	Brown	Yellow/Brass
AC Neutral	White	Blue	Silver
AC Ground	Green/Yellow	Green/Yellow	Green



To eliminate unnecessary wear and improve its lifespan, during periods of non-use completely disconnect the product from power via breaker or by unplugging it.

Replacing the Fuse

The WELL Fit has no external fuse. However, the road case charger comes with a replaceable fuse.

1. Disconnect this product from power.
2. Using a flat-head screwdriver, unscrew the fuse holder cap from the housing.
3. Remove blown fuse and replace with a good fuse of the same type and rating.
4. Screw the fuse holder cap back in place and reconnect power.

Battery Charge Notes

This product is equipped with a built-in rechargeable lithium ion battery.

- Avoid depleting the battery below 10%.
- For best results, charge the battery in a temperature between 32 °F (0 °C), and 95 °F (35 °C).
- When charging the battery, keep the product at least 1 m from any open flame or hot plate.
- If the battery is completely discharged, the device cannot be turned on immediately when the charger is connected. Allow a depleted battery to charge for a few minutes before turning on the device.
- While charging, the device may heat up. This is normal and should not affect the device's lifespan or performance. If the battery gets hotter than usual, the charger may stop charging.
- **It is not recommended to close the road case cover while charging the battery unless the procedure is monitored.**
- Always charge the battery with the product in an upright position.
- Do not charge the battery for more than 24 hours

Storage Notes

- Store charged product(s) in a dry environment, away from direct sunlight.
- Charge or discharge the battery to approximately 50% of capacity before storage.
- Lithium-Ion batteries continue to slowly discharge (self-discharge) when not in use or while in storage. Routinely check the battery's charge status
- Store the battery at temperatures between 41 °F and 68 °F (5 °C and 20 °C).
- Always store the product in an upright position ($\leq 10^\circ$ tilt).



CAUTION: The power switch must be in the off position before placing the product in the charging case.

DMX Linking

The WELL Fit will work with a DMX controller using a wireless DMX connection. A DMX Primer is available from www.chauvetprofessional.com.

DMX Connection

The WELL Fit uses a wireless DMX data connection for its DMX personalities: **4 Ch**, **6 Ch**, **10Ch**, **HSI** and **HSV**. See the User Manual for information about connecting and configuring the product for DMX operation..

Infrared Remote Control (IRC)

The WELL Fit is fully compatible with the Infrared Remote Control (IRC) from CHAUVET. For more information on the IRC, download the User Manual from www.chauvetprofessional.com.



It may be necessary to turn the product off and on again when switching from W-DMX to IRC and vice-versa.

Wireless Operation

In optimal conditions, the WELL Fit can operate up to 300 m (900 ft) away from the W-DMX transmitter. The W-DMX receiver in the WELL Fit must be paired with the W-DMX transmitter for wireless operation.

Initial Setup

1. Turn the W-DMX transmitter on.
2. Connect the W-DMX transmitter to a DMX controller.
3. Place the WELL Fit within 300 m from the W-DMX transmitter.
4. Turn the WELL Fit on.

Configuration

1. From the WELL Fit's control panel, go to **DMX Address**.
2. Select the start address, as with any other DMX compatible product.
3. Go to **Wireless Setting > Receive**.
4. Select **On**. (The Signal Strength Indicator will show a ? in front of the bars)
5. Press the reset button on the W-DMX transmitter. (The Signal Strength Indicator on the WELL Fit will show a ⚡ in front of the bars for 3 seconds while a connection is established.)

Product Pairing

If the WELL Fit has already been paired with the W-DMX transmitter, the Signal Strength Indicator in the middle of the LCD screen will show the strength of the signal. In this case, the WELL Fit is ready to work in Wireless mode.

Pairing the WELL Fit and a new W-DMX transmitter.

1. From the WELL Fit's control panel, go to **Wireless Setting**.
2. Select Reset. The Signal Strength Indicator on the WELL Fit will show a ? in front of the bars.
3. From the W-DMX transmitter, press **<RESET>** (the Signal Indicator on the transmitter will flash).
4. Once the transmitter has found the WELL Fit, the Signal indicator on the W-DMX transmitter will illuminate solid.
5. The Signal Strength Indicator in the middle of the LCD screen on the WELL Fit will show the strength of the signal.

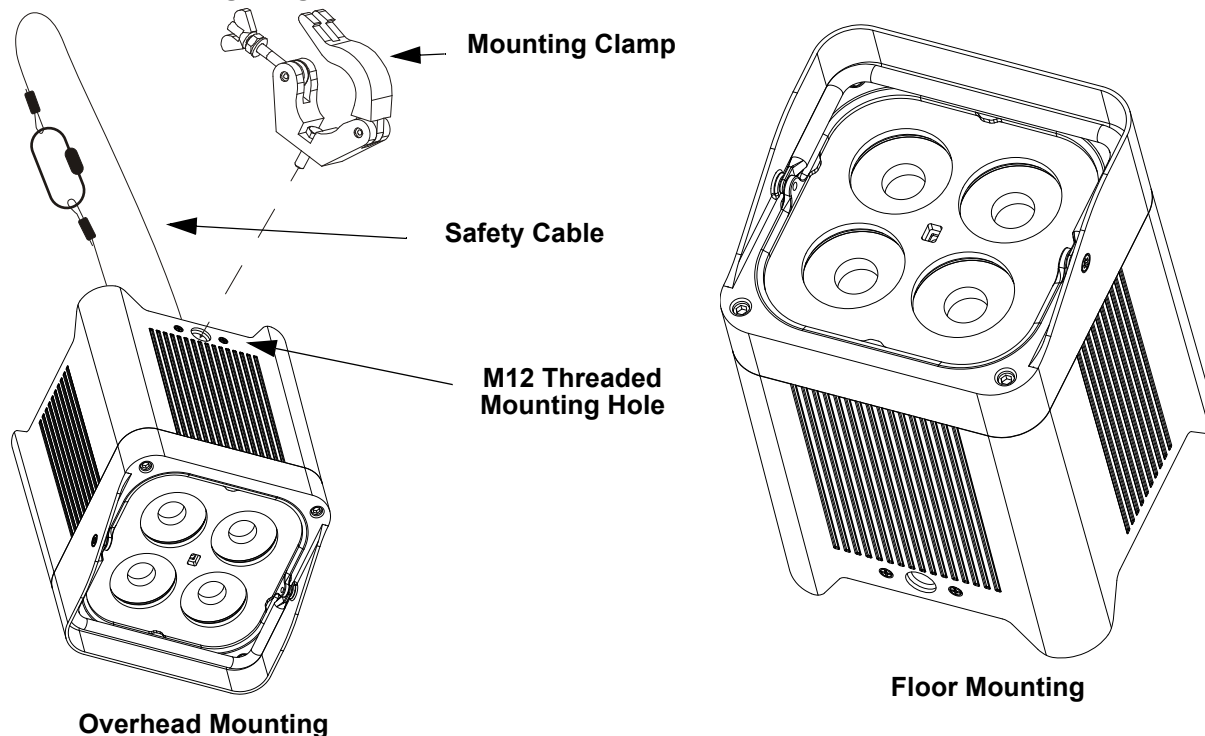


W-DMX operation can be interrupted or inhibited by liquid masses between the transmitter and receiver such as water, snow, or people. For best results, keep the area between the transmitter and receiver clear of any liquid mass.

Mounting

Before mounting this product, read the [Safety Notes](#). Use at least one mounting point per product. Make sure the mounting clamps are capable of supporting the weight of the product. For our Chauvet line of mounting clamps, go to <http://trusst.com/productcategory/truss-clamps/>

Product Mounting Diagram



Control Panel Description

Button	Function
On/Off	Turns product On and Off
<MENU>	Exits from the current menu or function
<ENTER>	Enables the currently displayed menu or sets the currently selected value into the selected function
<UP>	Navigates upwards through the menu list or increases the numeric value when in a function
<DOWN>	Navigates downwards through the menu list or decreases the numeric value when in a function

Passcode

After being prompted, enter the following passcode by pressing:

<UP>, <DOWN>, <UP>, <DOWN>, <ENTER>

This passcode cannot be changed and must be used whenever prompted.

Menu Map

Main Level	Programming Levels				Description
Auto Show	Auto 1-5	Speed	<0-100>		Automatic programs
Static	Fixed Color		R		Red
			G		Green
			B		Blue
			A		Amber
			GB		Green and blue
			RB		Red and blue
			RG		Red and green
			RGB		Red, green, and blue
			RA		Red and amber
			GA		Green and amber
			BA		Blue and amber
			RGA		Red, green, and amber
			RBA		Red, blue, and amber
			GBA		Green, blue, and amber
		RGBA		Red, green, blue, and amber	
	Manual Color	R	Value	<0-255>	Combines red, green, blue, and amber to make a custom color (0-100%)
		G			
		B			
		A			
Dimmer Mode	Off				Linear dimmer
	Dimmer 1-3				Dimming curves Dimmer 1 (fast) to Dimmer 3 (slow)
Back Light	On				Display backlight always on
	10S				Turns off display backlight after 10 seconds of inactivity
	20S				Turns off display backlight after 20 seconds of inactivity
	30S				Turns off display backlight after 30 seconds of inactivity
Information	Fixture Hours				Shows total hours the product has been powered on
	Version				Shows current firmware version
DMX Address	<1-512>				Selects DMX address (highest channel restricted to personality chosen)
DMX Channel	4Ch				4-channel: RGBA control
	6Ch				6-channel: Dimmer, RGBA control, Strobe
	10Ch				10-channel: Dimmer, RGBA control, Strobe, Color Macros, Auto Programs, Auto Speed, Dimmer Speed Mode
	HSV				3-channel: Hue, Saturation, Value
DMX Channel	HSI				3-channel: Hue, Saturation, Intensity
Master/Slave Mode	Master				Reserved for future use
	Slave				
White Balance	Balance	R	Value	<125-255>	Sets red, green, and blue LED maximum values.
		G			
		B			
Wireless Setting	Receive	Off			Enables/disables wireless DMX
		On	Reset	On Off	Resets the wireless setting
IR Setting	On				Enables/disables IR receiver
	Off				
Key Lock	On				Locks display (password is <UP>, <DOWN>, <UP>, <DOWN>, <ENTER>)
	Off				
Reset Factory	No				Resets the product to factory default settings
	Yes				

DMX Values

10Ch

Channel	Function	Value	Percent/Setting
1	Dimmer	000 ⇔ 255	0–100%
2	Red	000 ⇔ 255	0–100%
3	Green	000 ⇔ 255	0–100%
4	Blue	000 ⇔ 255	0–100%
5	Amber	000 ⇔ 255	0–100%
6	Strobe	000 ⇔ 010 011 ⇔ 255	No function Strobe, slow to fast
7	Color Macro	000 ⇔ 010 011 ⇔ 030 031 ⇔ 050 051 ⇔ 070 071 ⇔ 090 091 ⇔ 110 111 ⇔ 130 131 ⇔ 150 151 ⇔ 170 171 ⇔ 200 201 ⇔ 205 206 ⇔ 210 211 ⇔ 215 216 ⇔ 220 221 ⇔ 225 226 ⇔ 230 231 ⇔ 235 236 ⇔ 240 241 ⇔ 245 246 ⇔ 250 251 ⇔ 255	No function R:100% G: 0-100% B: 0 R:100%-0 G: 100% B: 0 R:0 G: 100% B: 0-100% R:0 G: 100%-0 B: 100% R:0-100% G: 0 B: 100% R:100% G: 0 B: 100%-0 R:100% G: 0-100% B: 0-100% R:100%-0 G: 100%-0 B: 100% RGBA: 100% Color temperature 1 (warmest) Color temperature 2 Color temperature 3 Color temperature 4 Color temperature 5 Color temperature 6 Color temperature 7 Color temperature 8 Color temperature 9 Color temperature 10 Color temperature 11 (coolest)
8	Auto Program	000 ⇔ 051 052 ⇔ 101 102 ⇔ 152 153 ⇔ 203 204 ⇔ 254 255	No function Auto 1 Auto 2 Auto 3 Auto 4 Auto 5 (Auto 1–4)
9	Auto Speed	000 ⇔ 255	Auto speed, slow to fast
10	Dimmer Speed Mode	000 ⇔ 051 052 ⇔ 101 102 ⇔ 152 153 ⇔ 203 204 ⇔ 255	Preset dimmer speed from display menu Dimmer speed mode off (linear dimmer) Dimmer speed mode 1 (fastest) Dimmer speed mode 2 Dimmer speed mode 3 (slowest)

6Ch

Channel	Function	Value	Percent/Setting
1	Dimmer	000 ⇔ 255	0–100%
2	Red	000 ⇔ 255	0–100%
3	Green	000 ⇔ 255	0–100%
4	Blue	000 ⇔ 255	0–100%
5	Amber	000 ⇔ 255	0–100%
6	Strobe	000 ⇔ 010 011 ⇔ 255	No function Strobe, slow to fast

4Ch

Channel	Function	Value	Percent/Setting
1	Red	000 ⇔ 255	0–100%
2	Green	000 ⇔ 255	0–100%
3	Blue	000 ⇔ 255	0–100%
4	Amber	000 ⇔ 255	0–100%

EN

HSV

Channel	Function	Value	Percent/Setting
1	Hue	000 ⇔ 255	0–100%
2	Saturation	000 ⇔ 255	0–100%
3	Value	000 ⇔ 255	0–100%

HSI

Channel	Function	Value	Percent/Setting
1	Hue	000 ⇔ 255	0–100%
2	Saturation	000 ⇔ 255	0–100%
3	Intensity	000 ⇔ 255	0–100%

Acerca de Esta Guía

La Guía de Referencia Rápida (GRR) del WELL Fit contiene información básica sobre el producto, como montaje, opciones de menú y valores DMX. Descargue el Manual de Usuario de www.chauvetprofessional.com para información más detallada.

Exención de Responsabilidad

La información y especificaciones contenidas en esta GRR están sujetas a cambio sin previo aviso.

GARANTÍA LIMITADA

PARA VER EL REGISTRO DE GARANTÍA Y LOS TÉRMINOS Y CONDICIONES COMPLETOS, VISITE NUESTRO SITIO WEB.

Para clientes en los Estados Unidos y México: www.chauvetlighting.com/warranty-registration.

Para clientes en Reino Unido, República de Irlanda, Bélgica, Países Bajos, Luxemburgo, Francia y Alemania: www.chauvetlighting.eu/warranty-registration.

Chauvet garantiza que este producto estará libre de defectos de material y mano de obra en condiciones de uso normales, durante el periodo especificado, sujeto siempre a las exclusiones y limitaciones establecidas en la garantía limitada completa de nuestro sitio web. Esta garantía se concede únicamente al comprador original del producto y no es transferible. Para ejercer los derechos que otorga esta garantía, usted debe proporcionar una prueba de compra en forma de un recibo de compra original, expedido por un distribuidor autorizado, donde figure el nombre del producto y la fecha de compra. **NO EXISTEN OTRAS GARANTÍAS EXPRESAS NI IMPLÍCITAS.** Esta garantía le otorga derechos legales específicos. Es posible que a usted le asistan otros derechos, que variarán dependiendo del estado o del país. Esta garantía solamente es válida en los Estados Unidos, Reino Unido, República de Irlanda, Bélgica, Países Bajos, Luxemburgo, Francia, Alemania y México. Para conocer los términos de garantía en otros países, consulte a su distribuidor local.

Notas de Seguridad

- NO abra este producto. No contiene piezas reparables por el usuario.
- NO mire a la fuente de luz cuando el producto esté encendido.
- Asegúrese de que el producto esté completamente cerrado antes de insertarlo en el estuche de carga.
- No haga funcionar el producto dentro de una carcasa sellada o en una zona sin circulación de aire.
- Cuidado: cuando transfiera el producto desde ambientes con temperatura extrema (p. ej., del remolque frío de un camión a una sala de baile con calor y humedad), puede formarse condensación en la electrónica interna del producto. Para evitar que se produzca una avería, deje que el producto se aclimate completamente al ambiente antes de conectar la alimentación.
- Para evitar un desgaste innecesario y alargar su vida útil, desconecte completamente el producto de la alimentación, mediante el interruptor o desenchufándolo, durante los periodos en los que no se use
- ¡CUIDADO! La carcasa de este producto está caliente cuando las luces están en funcionamiento.
- Monte este producto en una ubicación con ventilación adecuada, al menos a 20" (50 cm) de superficies adyacentes.
- NO deje ningún material inflamable a menos de 50 cm de este producto mientras esté funcionando o conectado a la alimentación.
- USE un cable de seguridad cuando monte este producto en lo alto.
- NO sumerja este producto (IP65). La operación normal en exteriores es correcta.
- NO ponga en funcionamiento este producto si sospecha que la carcasa, lentes o cables están dañados.
- NO conecte el estuche de carga a un atenuador o reostato.
- **No se recomienda cerrar la cubierta del maletero mientras se carga la batería a menos que se supervise el procedimiento.**
- Conecte este producto SOLO a un circuito con toma de tierra y protegido.
- Use SOLAMENTE las asas para mover este producto.
- En caso de un problema grave de funcionamiento, deje de usarlo inmediatamente.
- La máxima temperatura ambiente es de 113 °F (45 °C). No haga funcionar este producto a temperaturas más altas.

Contacto

Fuera de EE.UU, Reino Unido, Irlanda, México, Francia, Alemania, o Benelux, póngase en contacto con su distribuidor para solicitar asistencia o devolver el producto. Visite [Contact Us](#) para información de contacto.

Qué va Incluido

- 6-WELL Fit
- Cable de alimentación Neutrik® powerCON®
- Mando a distancia por IR
- Estuche de carga
- Tarjeta de Garantía
- Guía de Referencia Rápida

Corriente Alterna

El estuche de carga tiene una fuente de alimentación con detección automática que puede funcionar con un rango de tensión de entrada de 100–240 VCA, 50/60 Hz.

Alimentación en Cadena

Puede enlazar hasta 5 productos WELL Fit a 120 V, 9 productos a 208 V, o 9 a 230 V. Nunca sobrepase este número. Los cables de alimentación en cadena se pueden adquirir por separado

Alimentación en Cadena

Puede enlazar hasta 8 productos WELL Fit a 120 V, o 15 a 230 V. Nunca sobrepase este número. Los cables de alimentación en cadena se pueden adquirir por separado

Enchufe CA

Conexión	Cable (EE.UU.)	Cable (Europa)	Color del tornillo
CA Cargado	Negro	Marrón	Amarillo/Latón
CA Neutro	Blanco	Azul	Plata
CA Tierra	Verde/Amarillo	Verde/Amarillo	Verde



Para evitar un desgaste innecesario y alargar su vida útil, desconecte completamente el producto de la alimentación, mediante el interruptor o desenchufándolo, durante los periodos en los que no se use.

Sustitución del fusible

El WELL Fit no tiene fusible externo. Sin embargo, el cargador del estuche viene con un fusible reemplazable.

1. Desconecte este producto de la alimentación.
2. Utilizando un destornillador plano, desatornille la tapa del portafusibles de la carcasa.
3. Quite el fusible fundido del portafusibles y sustitúyalo con uno nuevo del mismo tipo y categoría.
4. Vuelva a atornillar la tapa del portafusibles en su sitio y conecte de nuevo la alimentación.

Notas sobre la carga de baterías

Este producto va equipado con una batería recargable de ion de litio integrada

- Evite que la batería se descargue por debajo del 10 %.
- Para mejores resultados, cargue la batería a una temperatura de entre 32 °F (0 °C) y 95 °F (35 °C).
- Al cargar la batería, mantenga el producto al menos a una distancia de 1 m de cualquier llama abierta o placa caliente.
- Si la batería está completamente descargada, el dispositivo no se puede encender inmediatamente después de conectar el cargador. Deje que la batería descargada se cargue durante unos minutos antes de encender el dispositivo.
- Mientras se carga, el dispositivo podría calentarse. Esto es normal y no debe afectar a vida útil del dispositivo ni a su rendimiento. Si la batería se calienta más de lo habitual, es posible que el cargador deje de cargar.
- **No se recomienda cerrar la cubierta del maletero mientras se carga la batería a menos que se supervise el procedimiento.**
- Cargue siempre la batería con el producto en posición vertical.
- No cargue la batería durante más de 24 horas

Notas sobre el almacenamiento

- Almacene el(los) producto(s) cargado(s) en un ambiente seco, lejos de la luz directa del sol.
- Cargue o descargue la batería a un 50 % de su capacidad aproximadamente antes de guardarla.
- Las baterías de ion de litio continúan descargándose lentamente (autodescarga) cuando no se usan o mientras están almacenadas. Realice comprobaciones periódicas del estado de la batería.
- Almacene la batería a temperaturas entre 41 °F y 68 °F (5 °C y 20 °C).
- Almacene siempre el producto en posición vertical ($\leq 10^\circ$ de inclinación)..



CUIDADO: El botón de alimentación debe estar en la posición de apagado antes de colocar el producto en el estuche de carga.

Enlace DMX

El WELL Fit funcionará con un controlador DMX usando una conexión DMX inalámbrica. Hay un Manual DMX disponible en www.chauvetprofessional.com.

Conexión DMX

El WELL Fit usa una conexión de datos DMX normal para sus personalidades DMX: **4Ch**, **6Ch**, **10Ch**, **HSV** y **HSI**. Consulte el manual de usuario para más información sobre cómo conectar y configurar el producto para el funcionamiento DMX.

Control Remoto por Infrarrojos (IRC)

El WELL Fit es totalmente compatible con el Control Remoto por Infrarrojos (IRC) de CHAUVET. Para más información sobre el IRC, descargue el manual de usuario desde www.chauvetprofessional.com.



Es posible que necesite apagar y volver a encender el producto cuando cambie de W-DMX a IRC y viceversa.

Funcionamiento inalámbrico

En condiciones óptimas, el WELL Fit puede funcionar a una distancia de hasta 300 m (900 ft) del transmisor W-DMX. El receptor W-DMX del WELL Fit tiene que estar emparejado con el transmisor W-DMX para el funcionamiento inalámbrico.

Configuración inicial

1. Encienda el transmisor W-DMX.
2. Conecte el transmisor W-DMX a un controlador DMX.
3. Sitúe el WELL Fit a una distancia de hasta 300 m del transmisor W-DMX.
4. Encienda el WELL Fit.

Configuración

1. Desde el panel de control del WELL Fit vaya a **DMX Address**.
2. Seleccione la dirección de inicio, al igual que con cualquier otro producto compatible con DMX.
3. Vaya a **Wireless Setting > Receive**.
4. Seleccione **On**. (en el indicador de potencia de señal aparecerá una ? delante de las barras)
5. Pulse el botón de reinicio del transmisor W-DMX.
(en el indicador de potencia de señal del WELL Fit aparecerá 4 delante de las barras durante 3 segundos mientras se establece la conexión.)

Si el WELL Fit ya se ha emparejado con el transmisor W-DMX, el indicador de potencia de señal en el medio de la pantalla LCD mostrará la potencia de la señal. En este caso, el WELL Fit está listo para funcionar en modo inalámbrico.

Emparejar el WELL Fit con un nuevo transmisor W-DMX

1. Desde el panel de control del WELL Fit's vaya a **Wireless Setting**.
2. Seleccione **Reset**. En el indicador de potencia de señal del WELL Fit aparecerá una ? delante de las barras.
3. Desde el transmisor W-DMX, pulse **<RESET>** (el indicador de señal del transmisor parpadeará).
4. Una vez que el transmisor haya encontrado el WELL Fit, el indicador de señal del transmisor W-DMX se iluminará de forma constante.
5. El indicador de potencia de señal en el medio de la pantalla LCD del WELL Fit mostrará la potencia de la señal.



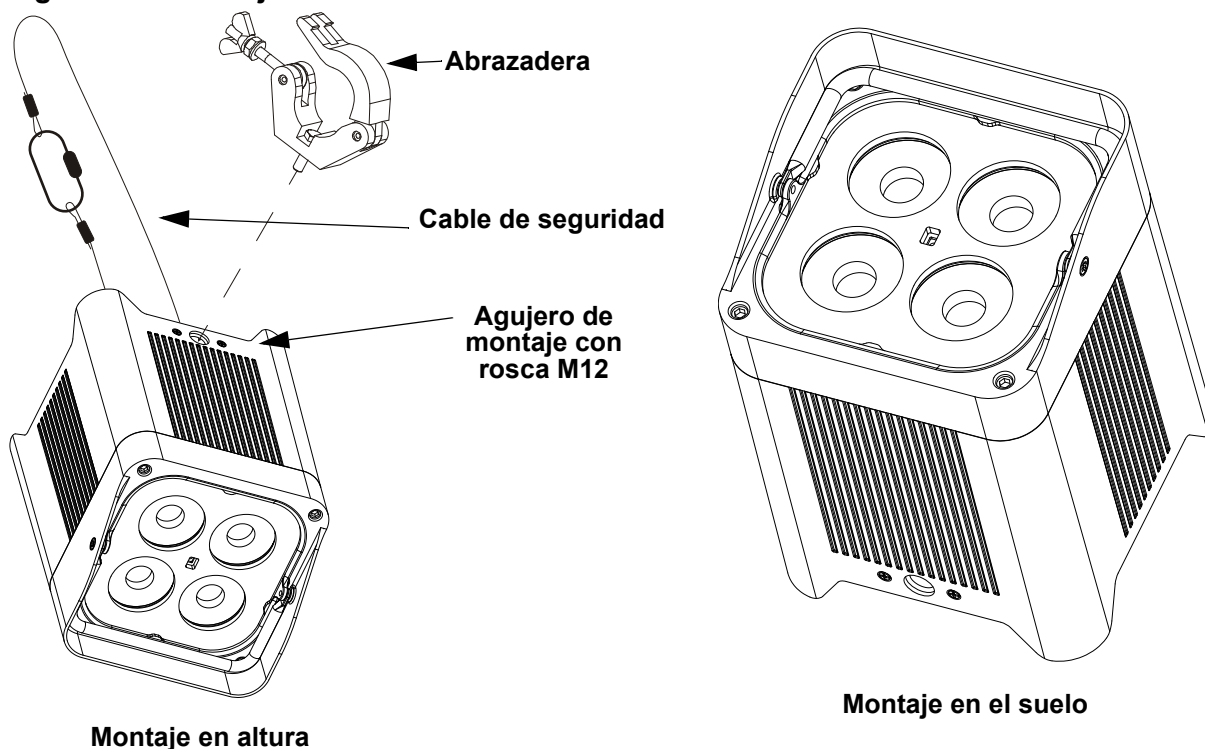
Masas líquidas entre el transmisor y el receptor, como agua, nieve o personas, pueden interrumpir o impedir el funcionamiento por W-DMX. Para mejores resultados, mantenga la zona entre el transmisor y el receptor sin ninguna masa líquida.

Montaje

Antes de montar este producto, lea las [Notas de Seguridad](#). Utilice al menos un punto de montaje por producto. Asegúrese de que las abrazaderas de montaje son capaces de soportar el peso del producto. Para nuestra línea Chauvet de abrazaderas de montaje, visite <http://trusst.com/productcategory/truss-clamps/>

ES

Diagrama de Montaje



Descripción del Panel de Control

Botón	Función
On/Off	Apaga/enciende el producto
<MENU>	Sale del menú o función actual
<ENTER>	Habilita el menú actualmente en pantalla o configura el valor seleccionado actualmente dentro de la función seleccionada
<UP>	Navega hacia arriba por la lista de menú y aumenta el valor numérico cuando está en una función
<DOWN>	Navega hacia abajo por la lista de menú y disminuye el valor numérico cuando está en una función

Código de acceso

Cuando se le solicite, introduzca el siguiente código de acceso:

<UP>, <DOWN>, <UP>, <DOWN>, <ENTER>.

Este código de acceso no se puede cambiar y se debe usar cuando se le solicite.

Mapa de Menú

Nivel Principal	Niveles de Programación				Descripción
Auto Show	Auto 1-5	Speed	<0-100>		Programas automáticos
Static	Fixed Color		R		Rojo
			G		Verde
			B		Azul
			A		Ámbar
			GB		Verde y azul
			RB		Rojo y azul
			RG		Rojo y verde
			RGB		Rojo, verde y azul
			RA		Rojo y ámbar
			GA		Verde y ámbar
			BA		Azul y ámbar
			RGA		Rojo, verde y ámbar
			RBA		Rojo, azul y ámbar
			GBA		Verde, azul y ámbar
		RGBA		Rojo, verde, azul y ámbar	
	Manual Color	R	Value	<0-255>	Combina rojo, verde, azul y ámbar para generar un color personalizado (0-100%)
		G			
		B			
		A			
Dimmer Mode	Off				Atenuador lineal
	Dimmer 1-3				Curvas de atenuador rápido (Dimmer 1) a lento (Dimmer 3)
Back Light	On				Retro-iluminación de la pantalla siempre activa
	10S				Retro-iluminación de la pantalla se apaga después de 10 segundos de inactividad
	20S				Retro-iluminación de la pantalla se apaga después de 20 segundos de inactividad
	30S				Retro-iluminación de la pantalla se apaga después de 30 segundos de inactividad
Information	Fixture Hours				Muestra el nombre total de las horas del producto
	Version				Muestra instalada la versión de firmware
DMX Address	<1-512>				Selecciona la dirección de inicio (canal más alto restringido a la elección de personalidad)
DMX Channel	4Ch				4 canales: control RVAA
	6Ch				6 canales: atenuador, control RVAA, estroboscopio
	10Ch				10 canales: atenuador, control RVAA, estroboscopio, macro de color, programa automático, velocidad de programa, velocidad de atenuador
	HSV				3 canales: Tono, Saturación, Valor
DMX Channel	HSI				3 canales: Tono, Saturación, Intensidad
Master/Slave Mode	Master				Reservado para usos futuros
	Slave				
White Balance	Balance	R	Value	<125-255>	Establece el valor máximo de LED rojo, verde y azul
		G			
		B			
Wireless Setting	Receive	Off			Apaga/enciende la función DMX inalámbrica
		On	Reset	On Off	Reinicia la configuración inalámbrica
IR Setting	On				Habilita/deshabilita el receptor de IR
	Off				
Key Lock	On				Bloquea la pantalla (la contraseña es <UP> , <DOWN> , <UP> , <DOWN> , <ENTER>)
	Off				

Nivel Principal	Niveles de Programación	Descripción
Reset Factory	No	Reinicia a la configuración de fábrica
	Yes	

Valores DMX

10Ch

Canal	Función	Valor	Porcentaje/Configuración
1	Atenuador	000 ⇄ 255	0–100%
2	Rojo	000 ⇄ 255	0–100%
3	Verde	000 ⇄ 255	0–100%
4	Azul	000 ⇄ 255	0–100%
5	Ámbar	000 ⇄ 255	0–100%
6	Estroboscopio	000 ⇄ 010	Sin función
		011 ⇄ 255	Estroboscopio, lento a rápido
7	Macro de color	000 ⇄ 010	Sin función
		011 ⇄ 030	R:100% V: 0-100% A: 0
		031 ⇄ 050	R:100%-0 V: 100% A: 0
		051 ⇄ 070	R:0 V: 100% A: 0-100%
		071 ⇄ 090	R:0 V: 100%-0 A: 100%
		091 ⇄ 110	R:0-100% V: 0 A: 100%
		111 ⇄ 130	R:100% V: 0 A: 100%-0
		131 ⇄ 150	R:100% V: 0-100% A: 0-100%
		151 ⇄ 170	R:100%-0 V: 100%-0 A: 100%
		171 ⇄ 200	RVAA: 100%
		201 ⇄ 205	Temperatura de color 1 (más cálido)
		206 ⇄ 210	Temperatura de color 2
		211 ⇄ 215	Temperatura de color 3
		216 ⇄ 220	Temperatura de color 4
		221 ⇄ 225	Temperatura de color 5
		226 ⇄ 230	Temperatura de color 6
		231 ⇄ 235	Temperatura de color 7
236 ⇄ 240	Temperatura de color 8		
241 ⇄ 245	Temperatura de color 9		
246 ⇄ 250	Temperatura de color 10		
251 ⇄ 255	Temperatura de color 11 (más frío)		
8	Programa automático	000 ⇄ 051	Sin función
		052 ⇄ 101	Programa 1
		102 ⇄ 152	Programa 2
		153 ⇄ 203	Programa 3
		204 ⇄ 254	Programa 4
		255	Programa 5 (Programa 1–4)
9	Velocidad de programa	000 ⇄ 255	Velocidad, lenta a rápida
10	Velocidad atenuador	000 ⇄ 051	Ajuste de la velocidad del atenuador desde la pantalla
		052 ⇄ 101	Modo velocidad del atenuador desactivado (atenuador lineal)
		102 ⇄ 152	Velocidad de atenuador 1 (más rápido)
		153 ⇄ 203	Velocidad de atenuador 2
		204 ⇄ 255	Velocidad de atenuador 3 (más lento)

6Ch

Canal	Función	Valor	Porcentaje/Configuración
1	Atenuador	000 ⇄ 255	0–100%
2	Rojo	000 ⇄ 255	0–100%
3	Verde	000 ⇄ 255	0–100%
4	Azul	000 ⇄ 255	0–100%
5	Ámbar	000 ⇄ 255	0–100%
6	Estroboscopio	000 ⇄ 010	Sin función
		011 ⇄ 255	Estroboscopio, lento a rápido

4Ch

Canal	Función	Valor	Porcentaje/Configuración
1	Rojo	000 ⇔ 255	0–100%
2	Verde	000 ⇔ 255	0–100%
3	Azul	000 ⇔ 255	0–100%
4	Ámbar	000 ⇔ 255	0–100%

HSV

Canal	Función	Valor	Porcentaje/Configuración
1	Tono	000 ⇔ 255	0–100%
2	Saturación	000 ⇔ 255	0–100%
3	Valor	000 ⇔ 255	0–100%

HSI

Canal	Función	Valor	Porcentaje/Configuración
1	Tono	000 ⇔ 255	0–100%
2	Saturación	000 ⇔ 255	0–100%
3	Intensidad	000 ⇔ 255	0–100%

À Propos de ce Manuel

Le Manuel de Référence du WELL Fit (MR) reprend des informations de base sur cet appareil notamment en matière de connexions, montage, options de menu et valeurs DMX. Télécharger le Manuel d'Utilisation sur www.chauvetprofessional.com pour de plus amples informations.

Clause de Non-Responsabilité

Les informations et caractéristiques contenues dans ce manuel sont sujettes à changement sans préavis.

GARANTIE LIMITÉE

VEUILLEZ VISITER NOTRE SITE INTERNET POUR CONSULTER LES MODALITÉS D'ENREGISTREMENT DE LA GARANTIE ET LES CONDITIONS GÉNÉRALES COMPLÈTES.

Pour les clients aux États-Unis et au Mexique: www.chauvetlighting.com/warranty-registration.

Pour les clients du Royaume-Uni, de la République d'Irlande, de la Belgique, des Pays-Bas, du Luxembourg, de la France et de l'Allemagne: www.chauvetlighting.eu/warranty-registration.

Chauvet garantit que cet appareil est exempt de défauts de matériaux et de fabrication dans des conditions normales d'utilisation, pendant la période spécifiée dans la garantie limitée complète consultable sur notre site Internet et sous réserve des exclusions et limitations qui y sont énoncées. Cette garantie ne s'applique qu'à l'acheteur initial du produit et n'est pas transférable. Pour exercer les droits prévus par cette garantie, vous devez fournir une preuve d'achat sous la forme d'un reçu de vente original d'un revendeur autorisé qui indique le nom du produit et la date d'achat. **IL N'EXISTE AUCUNE AUTRE GARANTIE EXPRESSE OU IMPLICITE.** Cette garantie vous confère des droits légaux spécifique. Vous pouvez également bénéficier d'autres droits qui varient selon les états et les pays. Cette garantie n'est valable qu'aux États-Unis, au Royaume-Uni, en République d'Irlande, en Belgique, aux Pays-Bas, au Luxembourg, en France, en Allemagne et au Mexique. Pour connaître les conditions de garantie dans d'autres pays, veuillez consulter votre revendeur local.

Consignes de Sécurité

- N'ouvrez PAS ce produit. Il ne contient aucun composant susceptible d'être réparé par l'utilisateur.
- Ne regardez PAS la source lumineuse lorsque le produit fonctionne.
- Assurez-vous que l'appareil soit entièrement fermé avant de l'insérer dans la valise de recharge.
- N'utilisez pas l'appareil dans une enceinte hermétique ou dans un endroit sans circulation d'air.
- ATTENTION: Lorsque l'appareil est transféré d'un environnement à température extrême à un autre (par exemple d'un camion froid vers une salle de bal chaude et humide), de la condensation peut se former sur les composants électriques internes. Pour éviter de causer des dommages, laissez l'appareil s'acclimater entièrement au milieu environnant avant de le mettre sous tension.
- Durant les périodes de non-utilisation, pour éviter toute usure inutile et pour prolonger la durée de vie, déconnectez entièrement la valise de chargement en la débranchant de l'alimentation électrique ou en coupant le disjoncteur.
- ATTENTION: le boîtier de ce produit est brûlant lors du fonctionnement.
- Montez toujours ce produit dans un endroit bien ventilé, à au moins, 20 pouces (50 cm) des surfaces adjacentes.
- Ne laissez AUCUNE source inflammable dans un rayon de 50 cm du produit lorsque celui-ci fonctionne.
- Utilisez TOUJOURS un câble de sécurité lorsque vous montez ce produit en hauteur.
- N'immergez PAS ce produit (IP 65). Un usage normal en extérieur est autorisé.
- N'utilisez PAS ce produit si le boîtier, les lentilles ou les câbles vous semblent endommagés.
- Ne connectez JAMAIS la valise de recharge à un variateur ou un rhéostat.
- **Il n'est pas recommandé de fermer le couvercle du carter de la route pendant le chargement de la batterie, sauf si la procédure est surveillée.**
- Connectez UNIQUEMENT ce produit à un circuit protégé et relié à la terre.
- Transportez/Suspendez ce produit UNIQUEMENT au moyen de la poignée dont il est doté.
- En cas de sérieux problèmes de fonctionnement, arrêtez le système immédiatement.
- La température ambiante maximale supportée par ce produit est de 113 °F (45 °C). Ne le faites pas fonctionner à des températures plus élevées.

Contact

En dehors des États-Unis, du Royaume-Uni, de l'Irlande, du Mexique, de la France, de l'Allemagne ou du Benelux, contactez votre fournisseur si vous avez besoin d'assistance ou de retourner votre appareil. Consultez le site [Contact Us](#) pour trouver nos coordonnées.

Ce Qui est Inclus

- 6-WELL Fit
- Cordon d'alimentation Neutrik powerCON
- Télécommande IR
- Valise de recharge
- Fiche de Garantie
- Manuel de Référence

Alimentation CA

La valise de recharge case est doté d'une alimentation universelle prenant en charge toute tension d'entrée comprise entre 100 et 240 VCA, 50/60 Hz.

Connexion Électrique

Vous pouvez connecter entre eux jusqu'à 5 WELL Fit à 120 V, 9 unités à 208 V, ou 9 unités à 230 V. Ne dépassez jamais cette limite. Vous pouvez vous procurer séparément des cordons d'alimentation.

Prise CA

Connexion	Câble (États-Unis)	Câble (Europe)	Couleur de la Vis
Conducteur CA	Noir	Marron	Jaune/Cuivré
Neutre CA	Blanc	Bleu	Argenté
Terre CA	Vert/Jaune	Vert/Jaune	Vert



Durant les périodes de non-utilisation, pour éviter toute usure inutile et pour prolonger la durée de vie, déconnectez entièrement la valise de chargement en la débranchant de l'alimentation électrique ou en coupant le disjoncteur.

Remplacement du fusible

Le WELL Fit ne dispose d'aucune fusible externe. Cependant, le chargeur de la caisse de transport est doté d'un fusible remplaçable.

1. Débranchez cet appareil.
2. Avec un tournevis plat, dévissez le capuchon du porte-fusible du boîtier.
3. Remplacez le fusible grillé par un fusible en bon état, de même type et de même ampérage.
4. Remettez en place et vissez le capuchon du porte-fusible, puis rebranchez.

Remarques sur le chargement de la batterie

Cet appareil est équipé d'une batterie lithium-ion rechargeable intégrée

- Évitez de décharger la batterie en dessous de 10%.
- Pour des résultats optimaux, chargez la batterie à une température comprise entre 0 °C (32 °F) et 35 °C (95 °F).
- Lorsque vous chargez la batterie, gardez l'appareil à au moins 1 m de toute flamme nue ou plaque chaude.
- Si la batterie est complètement déchargée, l'appareil ne peut pas être mis en marche immédiatement lorsque le chargeur est connecté. Laissez une batterie déchargée se charger pendant quelques minutes avant d'allumer l'appareil.
- L'appareil peut chauffer pendant la charge. Ceci est normal et ne devrait pas affecter la durée de vie ou les performances de l'appareil. Le chargeur peut s'arrêter de charger si la batterie devient plus chaude que d'habitude.
- **Il n'est pas recommandé de fermer le couvercle du carter de la route pendant le chargement de la batterie, sauf si la procédure est surveillée.**
- Lors du chargement de la batterie, assurez-vous que l'appareil soit toujours en position verticale.
- Ne rechargez pas la batterie pendant plus de 24 heures

Remarques sur l'entreposage

- Entrez le(s) appareil(s) chargé(s) dans un environnement sec, à l'abri du soleil direct.
- Chargez ou déchargez la batterie à environ 50% de sa capacité avant de l'entreposer.
- Les batteries au lithium-ion continuent de se décharger lentement (autodécharge) lorsqu'elles ne sont pas utilisées ou lorsqu'elles sont entreposées. Vérifiez régulièrement l'état de charge de la batterie.
- Conservez la batterie à une température comprise entre 5°C et 20°C (41°F et 68°F).
- Toujours ranger le produit en position verticale (inclinaison ≤ 10°)...



ATTENTION: Le bouton d'alimentation doit être sur la position éteint avant de placer l'appareil dans la valise de recharge.

Raccordement DMX

Le WELL Fit fonctionnera avec un jeu d'orgues DMX au moyen de connexions DMX sans fil. Une introduction au DMX est à votre disposition sur www.chauvetprofessional.com.

Connexion DMX

Le WELL Fit utilise une connexion de données DMX sans fil pour ses personnalités DMX: **4Ch, 6Ch, 10Ch, HSV et HSI**. Consultez le manuel d'utilisation pour connecter et configurer le système DMX.

Télécommande infra-rouge (IRC)

Le WELL Fit est entièrement compatible avec la télécommande infrarouge IRC de CHAUVET. Pour plus d'informations sur l'IRC, veuillez télécharger le manuel d'utilisation à l'adresse www.chauvetprofessional.com.



Il peut être nécessaire d'éteindre et de rallumer l'appareil lorsque vous passez du W-DMX au protocole IRC et vice versa.

Fonctionnement sans fil

Dans des conditions optimales, le WELL Fit peut fonctionner jusqu'à une distance de 300 m (900 ft) de l'émetteur W-DMX. Le récepteur W-DMX de le WELL Fit doit être couplé avec l'émetteur W-DMX pour un fonctionnement sans fil.

Configuration initiale

1. Allumez l'émetteur W-DMX.
2. Connectez l'émetteur W-DMX au contrôleur DMX.
3. Placez le WELL Fit à moins de 300 m de l'émetteur W-DMX.
4. Allumez le WELL Fit.

Configuration

1. A partir du panneau de commande du WELL Fit allez sur le menu **DMX Address**.
2. Sélectionnez l'adresse de départ comme avec tout autre appareil compatible DMX.
3. Allez sur le menu **Wireless Setting > Receive**.
4. Sélectionnez **On**. (L'indicateur d'intensité du signal affiche un ? devant les barres.)
5. Appuyez sur le bouton de réinitialisation de l'émetteur W-DMX. (L'indicateur d'intensité du signal du WELL Fit affiche un sigle 4 devant les barres pendant 3 secondes pendant l'établissement de la connexion.)

Appairage de l'appareil

Si le WELL Fit a déjà été appairé avec l'émetteur W-DMX, l'indicateur d'intensité du signal situé au milieu de l'écran LCD affiche la force du signal. Dans ce cas, le WELL Fit est prêt à fonctionner en mode sans fil.

Appairage du WELL Fit avec un nouvel émetteur W-DMX

1. A partir du panneau de commande du WELL Fit, allez au menu **Wireless Setting**.
2. Sélectionnez **Receive**. L'indicateur d'intensité du signal du WELL Fit affiche un ? devant les barres.
3. Sur l'émetteur W-DMX, appuyez sur **<RESET>** (l'indicateur de signal de l'émetteur clignote).
4. Lorsque l'émetteur a trouvé le WELL Fit, l'indicateur de signal de l'émetteur W-DMX reste allumé.
5. L'indicateur d'intensité du signal situé au milieu de l'écran LCD sur le WELL Fit affiche alors la force du signal.

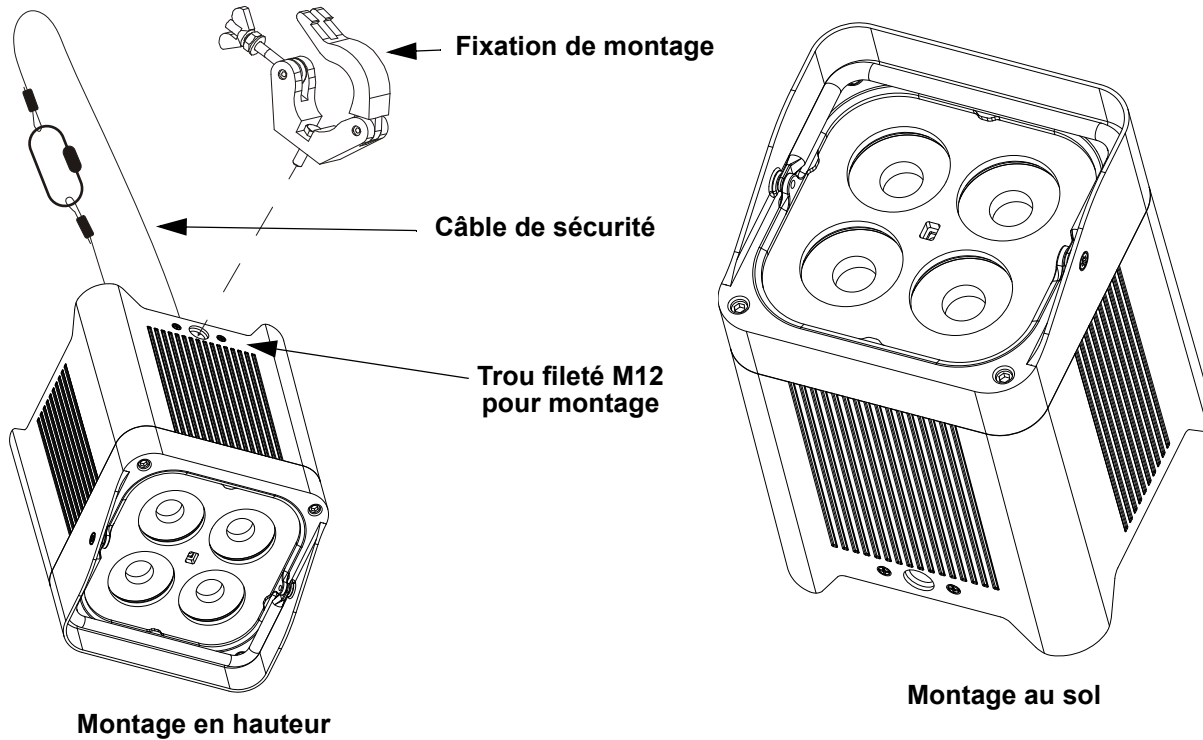


Le fonctionnement W-DMX peut être interrompu ou inhibé par des masses de liquides entre l'émetteur et le récepteur, comme par exemple de l'eau, de la neige ou des personnes. Pour de meilleurs résultats, assurez-vous que la zone située entre l'émetteur et le récepteur soit exempte de toute masse liquide.

Installation

Avant de monter cet appareil, lisez et assimilez les [Consignes de Sécurité](#). Utilisez au moins un point de fixation par appareil. Veillez à ce que les fixations sont capables de supporter le poids de l'unité. Découvrez notre gamme de fixations Chauvet sur <http://trusst.com/productcategory/truss-clamps/>

Schéma de Montage de l'appareil



Description du Tableau de Commandes

Bouton	Fonction
On/Off	Allume/éteint l'appareil
<MENU>	Permet la sortie du menu ou de la fonction en cours
<ENTER>	Permet l'affichage du menu en cours ou permet de configurer la valeur en cours dans la fonction sélectionnée
<UP>	Permet de parcourir les listes de menu vers le haut, dans une fonction permet d'augmenter les valeurs numériques
<DOWN>	Permet de parcourir les listes de menu vers le bas, dans une fonction permet de diminuer les valeurs numériques

Code d'accès

Lorsque demandé, saisissez le code d'accès suivant:

<UP>, <DOWN>, <UP>, <DOWN>, <ENTER>.

Ce code d'accès ne peut pas être modifié et doit être utilisé à chaque fois qu'il vous est demandé.

Tableau de Menu

Niveau Principal	Niveaux de Programmation				Description
Auto Show	Auto 1-5	Speed	<0-100>		Programmes automatiques
Static	Fixed Color		R		Rouge
			G		Vert
			B		Bleu
			A		Ambre
			GB		Vert et bleu
			RB		Rouge et bleu
			RG		Rouge et vert
			RGB		Rouge, vert et bleu
			RA		Rouge et ambre
			GA		Vert et ambre
			BA		Bleu et ambre
			RGA		Rouge, vert et ambre
			RBA		Rouge, bleu et ambre
			GBA		Vert, bleu et ambre
		RGBA		Rouge, vert, bleu et ambre	
	Manual Color	R	Value	<0-255>	Combine les couleurs rouge, vert, bleu et ambre pour un résultat personnalisé (0-100%)
		G			
		B			
		A			
Dimmer Mode	Off				Gradateur linéaire
	Dimmer 1-3				Courbes de gradation rapide (Dimmer 1) à lent (Dimmer 3)
Back Light	On				Affichage rétro-éclairage toujours active
	10S				Désactive l'affichage rétro-éclairage après 10 secondes d'inactivité
	20S				Désactive l'affichage rétro-éclairage après 20 secondes d'inactivité
	30S				Désactive l'affichage rétro-éclairage après 30 secondes d'inactivité
Information	Fixture Hours				Affiche le nombre total des heures du produit
	Version				Affiche la version du logiciel installée
DMX Address	<1-512>				Permet de sélectionner l'adresse de démarrage (le canal le plus élevé est restreint à la personnalité choisie)
DMX Channel	4Ch				4-canaux: RVBA
	6Ch				6-canaux: gradateur, RVBA, stroboscope
	10Ch				10-canaux: gradateur, RVBA, stroboscope, macro de couleur, programmes, vitesse, mode gradation
	HSV				3-canaux: Teint, Saturation, Valeur
DMX Channel	HSI				3-canaux: Teint, Saturation, Intensité
Master/Slave Mode	Master				Réservé pour utilisation future
	Slave				
White Balance	Balance	R	Value	<125-255>	Définit la valeur maximale de LED rouge, vert et bleu.
		G			
		B			
Wireless Setting	Receive	Off			Permet d'activer/désactiver la fonction DMX sans fil
		On	Reset	On Off	Permet de réinitialiser le paramétrage sans fil
IR Setting	On				Active/désactive le récepteur infra-rouge
	Off				
Key Lock	On				Verrouillage de l'affichage (le mot de passe et <UP>, <DOWN>, <UP>, <DOWN>, <ENTER>)
	Off				

Niveau Principal	Niveaux de Programmation	Description
Reset Factory	No Yes	Permet de réinitialiser aux valeurs par défaut d'usine

Valeurs DMX
10Ch

Canal	Fonction	Valeur	Pourcentage/Configuration
1	Gradateur	000 ⇔ 255	0–100%
2	Rouge	000 ⇔ 255	0–100%
3	Vert	000 ⇔ 255	0–100%
4	Bleu	000 ⇔ 255	0–100%
5	Ambre	000 ⇔ 255	0–100%
6	Stroboscope	000 ⇔ 010 011 ⇔ 255	Pas de fonction Stroboscope, lent à rapide
7	Macros de couleurs	000 ⇔ 010 011 ⇔ 030 031 ⇔ 050 051 ⇔ 070 071 ⇔ 090 091 ⇔ 110 111 ⇔ 130 131 ⇔ 150 151 ⇔ 170 171 ⇔ 200 201 ⇔ 205 206 ⇔ 210 211 ⇔ 215 216 ⇔ 220 221 ⇔ 225 226 ⇔ 230 231 ⇔ 235 236 ⇔ 240 241 ⇔ 245 246 ⇔ 250 251 ⇔ 255	Pas de fonction R:100% V: 0-100% B: 0 R:100%-0 V: 100% B: 0 R:0 V: 100% B: 0-100% R:0 V: 100%-0 B: 100% R:0-100% V: 0 B: 100% R:100% V: 0 B: 100%-0 R:100% V: 0-100% B: 0-100% R:100%-0 V: 100%-0 B: 100% RVBA: 100% Température de couleur 1 (le plus chaud) Température de couleur 2 Température de couleur 3 Température de couleur 4 Température de couleur 5 Température de couleur 6 Température de couleur 7 Température de couleur 8 Température de couleur 9 Température de couleur 10 Température de couleur 11 (le plus froid)
8	Programmes automatiques	000 ⇔ 051 052 ⇔ 101 102 ⇔ 152 153 ⇔ 203 204 ⇔ 254 255	Pas de fonction Programme 1 Programme 2 Programme 3 Programme 4 Programme 5 (Programme 1–4)
9	Vitesse du programme	000 ⇔ 255	Vitesse du programme, lente à rapide
10	Mode de gradation	000 ⇔ 051 052 ⇔ 101 102 ⇔ 152 153 ⇔ 203 204 ⇔ 255	Préréglage de vitesse d'assombrissement à partir du menu affichage Arrêt du mode de vitesse d'assombrissement (gradateur linéaire) Mode 1 de vitesse d'assombrissement (le plus rapide) Mode 2 de vitesse d'assombrissement Mode 3 de vitesse d'assombrissement (le plus lent)

FR

6Ch

Canal	Fonction	Valeur	Pourcentage/Configuration
1	Gradateur	000 ⇔ 255	0–100%
2	Rouge	000 ⇔ 255	0–100%
3	Vert	000 ⇔ 255	0–100%
4	Bleu	000 ⇔ 255	0–100%
5	Ambre	000 ⇔ 255	0–100%
6	Stroboscope	000 ⇔ 010 011 ⇔ 255	Pas de fonction Stroboscope, lent à rapide

4Ch

Canal	Fonction	Valeur	Pourcentage/Configuration
1	Rouge	000 ⇔ 255	0–100%
2	Vert	000 ⇔ 255	0–100%
3	Bleu	000 ⇔ 255	0–100%
4	Ambre	000 ⇔ 255	0–100%

HSV

Canal	Fonction	Valeur	Pourcentage/Configuration
1	Teint	000 ⇔ 255	0–100%
2	Saturation	000 ⇔ 255	0–100%
3	Valeur	000 ⇔ 255	0–100%

HSI

Canal	Fonction	Valeur	Pourcentage/Configuration
1	Teint	000 ⇔ 255	0–100%
2	Saturation	000 ⇔ 255	0–100%
3	Intensité	000 ⇔ 255	0–100%

Über diese Schnellanleitung

In der Schnellanleitung des WELL Fit finden Sie die wesentlichen Produktinformationen, wie etwa über den Anschluss, die Montage, Menüoptionen und DMX-Werte des Geräts. Laden Sie für weiterführende Informationen unter www.chauvetprofessional.com das Benutzerhandbuch herunter.

Haftungsausschluss

Die in dieser Anleitung aufgeführten Informationen und Spezifikationen können ohne vorherige Ankündigung geändert werden.

EINGESCHRÄNKTE GARANTIE

ZUR REGISTRIERUNG FÜR GARANTIEANSPRÜCHE UND ZUR EINSICHT IN DIE VOLLSTÄNDIGEN GESCHÄFTSBEDINGUNGEN BESUCHEN SIE BITTE UNSERE WEBSITE.

Für Kunden in den USA und in Mexiko: www.chauvetlighting.com/warranty-registration.

Für Kunden im Vereinigten Königreich, in Irland, Belgien, den Niederlanden, Luxemburg, Frankreich und Deutschland: www.chauvetlighting.eu/warranty-registration.

Chauvet garantiert für die in der auf unserer Website veröffentlichten vollständigen eingeschränkten Garantie genannten Dauer und unter Vorbehalt der darin genannten Haftungsausschlüsse und -beschränkungen, dass dieses Produkt bei normalen Gebrauch frei von Material- und Verarbeitungsfehlern ist. Diese Garantie erstreckt sich nur auf den Erstkäufer des Produkts und ist nicht übertragbar. Zur Ausübung der unter dieser Garantie gewährten Rechte ist der Kaufbeleg in Form der Originalrechnung von einem autorisierten Händler vorzulegen, in der die Produktbezeichnung und das Kaufdatum vermerkt sein müssen. **ES BESTEHEN KEINE WEITEREN AUSDRÜCKLICHEN ODER STILLSCHWEIGENDEN GARANTIEN.** Diese Garantie gibt Ihnen besondere gesetzliche Rechte. Und Sie haben möglicherweise weitere Rechte, die von Land zu Land unterschiedlich sein können. Diese Garantie ist nur in den USA, im Vereinigten Königreich, in Irland, Belgien, den Niederlanden, Luxemburg, Frankreich, Deutschland und Mexiko gültig. Bezüglich der Garantiebestimmungen in anderen Ländern wenden Sie sich bitte an Ihren lokalen Händler.

Sicherheitshinweise

- Dieses Gerät NICHT öffnen. Die eingebauten Komponenten sind für den Kunden wartungsfrei.
- NIEMALS in die Lichtquelle schauen, während das Gerät eingeschaltet ist.
- Vergewissern Sie sich, dass das Gerät vollständig geschlossen ist, bevor Sie es in die Ladestation einstecken.
- Nehmen Sie das Gerät nicht in einem abgedichteten Raum oder in einem Bereich ohne Luftzirkulation in Betrieb.
- VORSICHT: Beim Transport des Geräts von einer Umgebung mit außergewöhnlichen Temperaturen in eine andere solche Umgebung (z. B. aus einem kalten Transporter in einen warm-feuchten Ballsaal) kann an der im Gerät enthaltenen Elektronik Wasser kondensieren. Um einen Defekt zu vermeiden, muss sich das Gerät erst in der neuen Umgebung akklimatisiert haben, bevor es an die Stromversorgung angeschlossen werden kann.
- Um unnötigen Verschleiß zu vermeiden und die Lebensdauer des Geräts zu verlängern, trennen Sie während längerer Perioden des Nichtgebrauchs das Gerät vom Stromnetz – entweder per Trennschalter oder durch Herausziehen des Steckers aus der Steckdose.
- VORSICHT: Das Gehäuse dieses Produkts kann während des Betriebs heiß werden.
- Installieren Sie das Gerät an einem Ort mit ausreichender Belüftung und mit einem Abstand von mindestens 50 cm zu den angrenzenden Flächen.
- Belassen Sie KEINE entflammaren Materialien in einem Umkreis von 50 cm dieses Geräts, während es in Betrieb oder an der Stromversorgung angeschlossen ist.
- VERWENDEN Sie bei Montage über Kopf immer ein Sicherheitsseil.
- Dieses Gerät darf NICHT in Wasser eingetaucht werden (IP65).
- NIEMALS das Gerät in Betrieb nehmen, wenn Ihnen das Gehäuse, die Linsen oder das Kabel beschädigt erscheinen.
- **Es wird nicht empfohlen, die Abdeckung des Straßenkastens zu schließen, während der Akku aufgeladen wird, wenn der Vorgang nicht überwacht wird.**
- Schließen Sie die Ladestation NICHT an einen Dimmer oder Regelwiderstand an.
- Schließen Sie dieses Produkt NUR an einen mit der Erde verbundenen und geschützten Stromkreis an.
- Das Gerät NUR an den Griffen tragen.
- Bei ernsthaften Betriebsproblemen stoppen Sie umgehend die Verwendung des Geräts.
- Die maximal zulässige Umgebungstemperatur beträgt 45 °C. Nehmen Sie das Gerät nicht bei höheren Temperaturen in Betrieb.

Kontakt

Wenden Sie sich außerhalb der USA, Großbritanniens, Irlands, Mexikos, Frankreichs, Deutschlands oder Benelux an Ihren Händler, um Unterstützung anzufordern oder ein Produkt zurückzusenden. In den USA, Großbritannien, Irland, Mexiko, Frankreich, Deutschland oder Benelux verwenden Sie bitte die [Contact Us](#) am Ende dieser QRG.

Packungsinhalt

- 6-WELL Fit
- Neutrik powerCON Stromkabel
- IR-Fernbedienung
- Ladestation
- Garantiekarte
- Schnellanleitung

Wechselstrom

Die Ladestation über ein Vorschaltgerät, das automatisch die anliegende Spannung erkennt und kann mit einer Eingangsspannung von 100~240 V AC, 50/60 Hz arbeiten.

Serienschaltung der Geräte

Sie können bis zu 5 WELL Fit-Geräte bei 120 V AC, 9 Geräte bei 208 V AC, oder 9 Geräte bei 230 V AC in Serie schalten. Diese Anzahl niemals überschreiten! Stromkabel für die Serienschaltung können separat erworben werden.

Wechselstromstecker

Anschluss	Draht (USA)	Draht (Europa)	Schraubenfarbe
Stromführender AC-Leiter	Schwarz	Braun	Gelb/Messingfarben
AC-Neutralleiter	Weiß	Blau	Silber
AC-Erdungsleiter	Grün/Gelb	Grün/Gelb	Grün



Um unnötigen Verschleiß zu vermeiden und die Lebensdauer des Geräts zu verlängern, trennen Sie während längerer Perioden des Nichtgebrauchs das Gerät vom Stromnetz – entweder per Trennschalter oder durch Herausziehen des Steckers aus der Steckdose.

Auswechseln der Sicherung

Der WELL Fit verfügt nicht über eine externe Sicherung. Die Ladestation für unterwegs ist jedoch mit einer auswechselbaren Sicherung ausgestattet.

1. Trennen Sie das Gerät vom Stromnetz.
2. Mit einem Flachkopfschraubendreher lösen Sie die Abdeckung des Sicherungshalters vom Gehäuse.
3. Entfernen Sie die durchgebrannte Sicherung, und ersetzen Sie diese durch eine Sicherung des gleichen Typs und mit den gleichen Werten.
4. Schrauben Sie die Abdeckung der Sicherung wieder ein, und schließen Sie das Gerät wieder an das Stromnetz an.

Hinweise zum Aufladen des Akkus

Dieses Gerät verfügt über einen eingebauten Lithium-Ionen-Akku.

- Vermeiden Sie, den Akku auf unter 10 % zu entladen.
- Um optimale Ergebnisse zu erreichen, laden Sie den Akku bei einer Temperatur zwischen 0 und 35 °C auf.
- Achten Sie beim Aufladen des Akkus auf einen Mindestabstand von 1 m von offenem Feuer oder heißen Gegenständen.
- Ist der Akku vollständig entladen, darf das Gerät nicht sofort eingeschaltet werden, wenn es an die Ladestation angeschlossen wird. Warten Sie einige Minuten, bis sich ein vollständig entladener Akku etwas aufgeladen hat, bevor Sie das Gerät einschalten.
- Während des Ladevorgangs kann sich das Gerät aufheizen. Das ist normal und sollte die Lebensdauer oder Leistungsfähigkeit des Geräts nicht beeinträchtigen. Wird der Akku ungewöhnlich warm, schaltet sich die Ladestation automatisch ab.
- **Es wird nicht empfohlen, die Abdeckung des Straßenkastens zu schließen, während der Akku aufgeladen wird, wenn der Vorgang nicht überwacht wird.**
- Beim Laden des Akkus sollte das Gerät immer in aufrechter Position sein.
- Laden Sie den Akku nicht länger als 24 Stunden auf

Hinweise zur Aufbewahrung

- Laden Sie das Gerät in einer trockenen Umgebung und ohne direkte Sonneneinstrahlung auf.
- Laden bzw. entladen Sie den Akku für die Lagerung auf ca. 50 % der Akkukapazität.
- Lithium-Ionen-Akkus entladen sich langsam (Selbstentladung), wenn sie nicht in Gebrauch sind oder aufbewahrt werden. Überprüfen Sie routinemäßig den Ladezustand des Akkus.
- Bewahren Sie den Akku bei Temperaturen zwischen 5 und 20 °C auf.
- Lagern Sie das Gerät immer in einer aufrechten Position (max. Neigung: 10 Grad).



VORSICHT: Der Geräteschalter muss ausgeschaltet sein, bevor das Gerät in die Ladestation gesteckt werden kann.

DMX Linking

Der WELL Fit kann mit einem DMX-Controller betrieben werden, wenn eine drahtlose DMX-Verbindung zum Einsatz kommt. Sie können sich eine Einführung in DMX unter www.chauvetprofessional.com herunterladen.

DMX-Anschluss

Der WELL Fit nutzt zur Steuerung seiner DMX-Eigenschaften eine drahtlose DMX-Verbindung: **4Ch, 6Ch, 10Ch, HSV** und **HSI**. Informationen zum Anschließen und Konfigurieren des Geräts für einen DMX-Betrieb finden Sie in der Bedienungsanleitung.

Infrarot-Fernbedienung (IRC)

Der WELL Fit ist vollständig kompatibel mit der Infrarot-Fernbedienung (IRC) von CHAUVET. Für weitere Informationen zur IRC laden Sie sich die Bedienungsanleitung unter www.chauvetprofessional.com herunter.



Beim Wechsel von W-DMX (drahtlose DMX-Steuerung) zur IRC und umgekehrt muss das Gerät eventuell ein- und wieder ausgeschaltet werden.

Drahtloser Betrieb

Unter optimalen Bedingungen kann der WELL Fit in einer Entfernung von bis zu 300 m vom drahtlosen DMX-Sender betrieben werden. Der drahtlose DMX-Empfänger des WELL Fit muss mit dem drahtlosen DMX-Sender für den Drahtlos-Betrieb gekoppelt werden.

Ersteinrichtung

1. Schalten Sie den drahtlosen DMX-Sender ein.
2. Schließen Sie den drahtlosen DMX-Sender an einen DMX-Controller an.
3. Platzieren Sie den WELL Fit in einer Entfernung von maximal 300 m zum drahtlosen DMX-Sender.
4. Schalten Sie den WELL Fit ein.

Konfiguration

1. Rufen Sie auf dem Bedienfeld des WELL Fit **DMX Address** auf.
2. Wählen Sie wie bei jedem anderen DMX-kompatiblen Gerät die Startadresse aus.
3. Wählen Sie **Wireless Setting > Receive**.
4. Wählen Sie **On**. (Die Signalstärkeanzeige zeigt ein ? vor den Balken an.)
5. Drücken Sie auf die Reset-Taste auf dem drahtlosen DMX-Sender. (Die Signalstärkeanzeige auf dem WELL Fit zeigt für 3 Sekunden, während eine Verbindung hergestellt wird, ein 4 in vor den Balken an.)

Geräte-Pairing

Wurde der WELL Fit bereits mit dem drahtlosen DMX-Sender gekoppelt, zeigt die Signalstärkeanzeige in der Mitte des LCD-Bildschirms die Stärke des Signals an. In diesem Fall ist der WELL Fit bereit für einen Betrieb im Drahtlos-Modus.

Koppeln des WELL Fit mit dem neuen drahtlosen DMX-Sender

1. Rufen Sie auf dem Bedienfeld des WELL Fit **Wireless Setting** auf.
2. Wählen Sie **Reset**. Die Signalstärkeanzeige auf dem WELL Fit zeigt ein ? vor den Balken an.
3. Drücken Sie auf dem drahtlosen DMX-Sender auf **<RESET>** (Die Signalanzeige auf dem Sender blinkt).
4. Sobald der Sender den WELL Fit, gefunden hat, leuchtet die Signalanzeige auf dem drahtlosen DMX-Sender dauerhaft.
5. Die Signalstärkeanzeige in der Mitte des LCD-Bildschirms des WELL Fit zeigt die Stärke des Signals an.

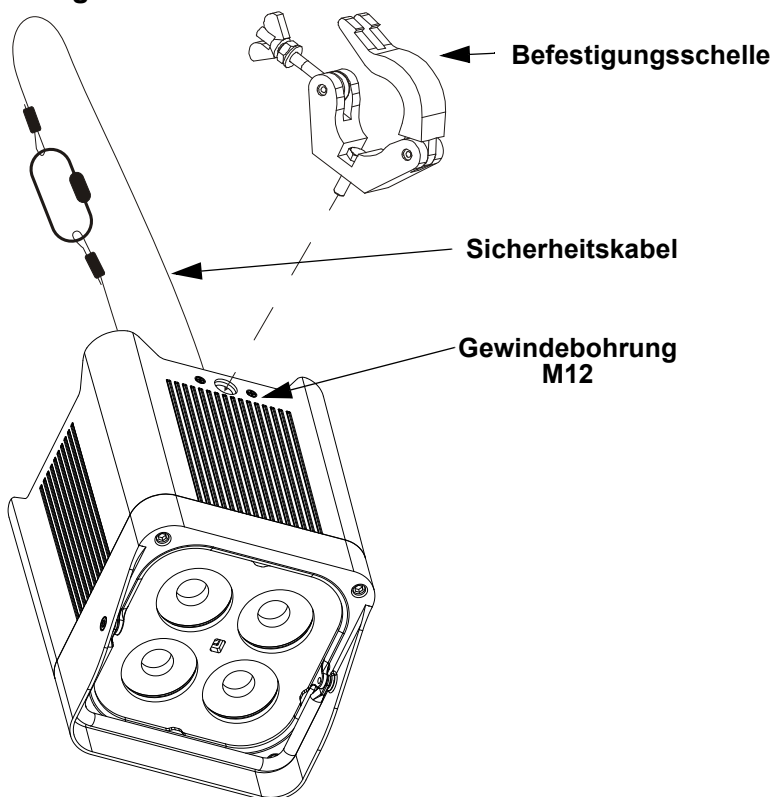


Ein drahtloser DMX-Betrieb kann durch Flüssigkeiten o. Ä. zwischen Sender und Empfänger, wie etwa Wasser, Schnee oder Menschen, unterbrochen oder behindert werden. Für beste Ergebnisse sollte daher der Bereich zwischen Sender und Empfänger von Flüssigkeiten o. Ä. freigehalten werden.

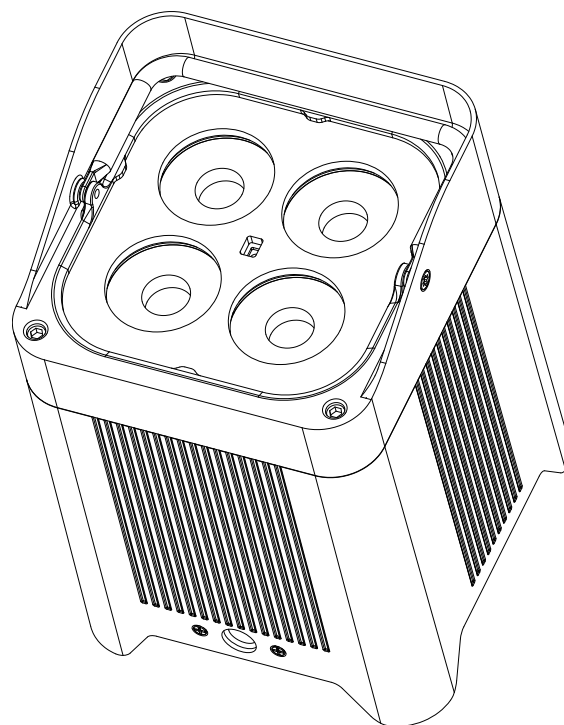
Montage

Lesen Sie vor der Montage dieses Geräts die [Sicherheitshinweise](#) durch. Mindestens einen Befestigungspunkt pro Gerät verwenden. Stellen Sie sicher, dass die Befestigungsklemmen dafür ausgelegt sind, das Produktgewicht tragen zu können. Informationen zu unserer CHAUVET-Produktlinie für Befestigungsklemmen finden Sie unter <http://trusst.com/productcategory/truss-clamps/>

Montageansicht



Montage Über Kopf



Bodenmontage

Beschreibung des Bedienfeldes

Taste	Funktion
On/Off	Schaltet das Gerät ein oder aus
<MENU>	Damit verlassen Sie das aktuelle Menü oder die Funktion
<ENTER>	Damit wird das aktuell angezeigte Menü aktiviert oder der aktuell ausgewählte Wert einer Funktion eingestellt
<UP>	Damit navigieren Sie sich durch die Menüpunkte nach oben und erhöhen den numerischen Wert der entsprechenden Funktion
<DOWN>	Damit navigieren Sie sich durch die Menüpunkte nach unten und verringern den numerischen Wert der entsprechenden Funktion

Sicherheitscode

Geben Sie nach der entsprechenden Aufforderung den folgenden Sicherheitscode ein:

<UP>, <DOWN>, <UP>, <DOWN>, <ENTER>.

Dieser Sicherheitscode kann nicht geändert werden und ist nach entsprechender Aufforderung immer zu verwenden.

Menüstruktur

Hauptebene	Programmirebenen				Beschreibung
Auto Show	Auto 1-5	Speed	<0-100>		Auto-Programme
Static	Fixed Color		R		Rot
			G		Grün
			B		Blau
			A		Bernsteinfarben
			GB		Grün und Blau
			RB		Rot und Blau
			RG		Rot und Grün
			RGB		Rot, Grün und Blau
			RA		Rot und Bernsteinfarben
			GA		Grün und Bernsteinfarben
			BA		Blau und Bernsteinfarben
			RGA		Rot, Grün und Bernsteinfarben
			RBA		Rot, Blau und Bernsteinfarben
			GBA		Grün, Blau und Bernsteinfarben
		RGBA		Rot, Grün, Blau und Bernsteinfarben	
	Manual Color	R	Value	<0-255>	Kombiniert rote, grüne, blaue und bernsteine Farben zu einer benutzerdefinierten Farbe(0-100%)
		G			
		B			
		A			
Dimmer Mode	Off				Linearer Dimmer
	Dimmer 1-3				Dimmungskurven Dimmer 1 (schnell) nach Dimmer 3 (langsam)
Back Light	On				Hintergrundbeleuchtung der Anzeige immer an
	10S				Damit wird die Hintergrundbeleuchtung der Anzeige nach 10 Sekunden Inaktivität ausgeschaltet
	20S				Damit wird die Hintergrundbeleuchtung der Anzeige nach 20 Sekunden Inaktivität ausgeschaltet
	30S				Damit wird die Hintergrundbeleuchtung der Anzeige nach 30 Sekunden Inaktivität ausgeschaltet
Information	Fixture Hours				Zeigt an, wie lange das Gerät eingeschaltet gewesen ist
	Version				Zeigt die aktuelle Firmware-Version an
DMX Address	<1-512>				Wählt die DMX-Adresse aus (der höchste Kanal ist auf die gewählte Eigenschaft beschränkt)
DMX Channel	4Ch				4-Kanal: RGBA-Steuerung
	6Ch				6-Kanal: Dimmer, RGBA-Steuerung, Stroboskopeffekt
	10Ch				10-Kanal: Dimmer, RGBA-Steuerung, Stroboskopeffekt, Farbmakro, Auto-Programme, Auto-Geschwindigkeit, Dimmer -Geschwindigkeits-Modus
DMX Channel	HSV				3-Kanal: Farbton, Farbsättigung, Farbwert
	HSI				3-Kanal: Farbton, Farbsättigung, Farbintensität
Master/Slave Mode	Master				Reserved for future use
	Slave				
White Balance	Balance	R	Value	<125-255>	Stellt den maximalen Wert der roten, grünen, blauen und bernsteinen LED ein
		G			
		B			
Wireless Setting	Receive	Off			Damit aktivieren/deaktivieren Sie drahtloses DMX
		On	Reset	On Off	Damit stellen Sie den Drahtlos-Empfänger zurück
IR Setting	On				Damit aktivieren/deaktivieren Sie den IR-Empfänger
	Off				
Key Lock	On				Damit wird die Anzeige gesperrt (Kennwort lautet <UP>, <DOWN>, <UP>, <DOWN>, <ENTER>)
	Off				

Hauptebene	Programmirebenen	Beschreibung
Reset Factory	No	Damit stellen Sie das Gerät auf die Werkseinstellungen zurück
	Yes	

DMX Wert

10Ch

Kanal	Funktion	Wert	Prozent/Einstellung
1	Dimmer	000 ⇔ 255	0–100%
2	Rot	000 ⇔ 255	0–100%
3	Grün	000 ⇔ 255	0–100%
4	Blau	000 ⇔ 255	0–100%
5	Bernstein	000 ⇔ 255	0–100%
6	Strobe	000 ⇔ 010 011 ⇔ 255	Keine Funktion Strobe, langsam bis schnell
7	Farbe Makro	000 ⇔ 010 011 ⇔ 030 031 ⇔ 050 051 ⇔ 070 071 ⇔ 090 091 ⇔ 110 111 ⇔ 130 131 ⇔ 150 151 ⇔ 170 171 ⇔ 200 201 ⇔ 205 206 ⇔ 210 211 ⇔ 215 216 ⇔ 220 221 ⇔ 225 226 ⇔ 230 231 ⇔ 235 236 ⇔ 240 241 ⇔ 245 246 ⇔ 250 251 ⇔ 255	Keine Funktion R:100% G: 0-100% B: 0 R:100%-0 G: 100% B: 0 R:0 G: 100% B: 0-100% R:0 G: 100%-0 B: 100% R:0-100% G: 0 B: 100% R:100% G: 0 B: 100%-0 R:100% G: 0-100% B: 0-100% R:100%-0 G: 100%-0 B: 100% R:100% Farbtemperatur 1 (wärmsten) Farbtemperatur 2 Farbtemperatur 3 Farbtemperatur 4 Farbtemperatur 5 Farbtemperatur 6 Farbtemperatur 7 Farbtemperatur 8 Farbtemperatur 9 Farbtemperatur 10 Farbtemperatur 11 (kältesten)
8	Auto-Programme	000 ⇔ 051 052 ⇔ 101 102 ⇔ 152 153 ⇔ 203 204 ⇔ 254 255	Keine Funktion Programm 1 Programm 2 Programm 3 Programm 4 Programm 5 (Programm 1–4)
9	Programmgeschwindigkeit	000 ⇔ 255	Geschwindigkeit, langsam bis schnell
10	Dimmergeschwindigkeit	000 ⇔ 051 052 ⇔ 101 102 ⇔ 152 153 ⇔ 203 204 ⇔ 255	Dimmergeschwindigkeit von Anzeige eingestellt Dimmer-Geschwindigkeits-Modus aus (Linearer Dimmer) Dimmer-Geschwindigkeits-Modus 1 (schnellsten) Dimmer-Geschwindigkeits-Modus 2 Dimmer-Geschwindigkeits-Modus 3 (langsamsten)

6Ch

Kanal	Funktion	Wert	Prozent/Einstellung
1	Dimmer	000 ⇔ 255	0–100%
2	Rot	000 ⇔ 255	0–100%
3	Grün	000 ⇔ 255	0–100%
4	Blau	000 ⇔ 255	0–100%
5	Bernstein	000 ⇔ 255	0–100%
6	Strobe	000 ⇔ 010 011 ⇔ 255	Keine Funktion Strobe, langsam bis schnell

4Ch

Kanal	Funktion	Wert	Prozent/Einstellung
1	Rot	000 ⇔ 255	0–100%
2	Grün	000 ⇔ 255	0–100%
3	Blau	000 ⇔ 255	0–100%
4	Bernstein	000 ⇔ 255	0–100%

HSV

Kanal	Funktion	Wert	Prozent/Einstellung
1	Farbton	000 ⇔ 255	0–100%
2	Farbsättigung	000 ⇔ 255	0–100%
3	Farbwert	000 ⇔ 255	0–100%

HSI

Kanal	Funktion	Wert	Prozent/Einstellung
1	Farbton	000 ⇔ 255	0–100%
2	Farbsättigung	000 ⇔ 255	0–100%
3	Farbintensität	000 ⇔ 255	0–100%

Over deze handleiding

De WELL Fit Beknopte Handleiding (BH) bevat basisinformatie over het product, zoals aansluiting, montage, menu-opties en DMX-waarden. Download de gebruikershandleiding op www.chauvetprofessional.com voor meer informatie.

Disclaimer

De informatie en specificaties in deze BH kunnen zonder voorafgaande kennisgeving worden gewijzigd.

BEPERKTE GARANTIE

GA NAAR ONZE WEBSITE VOOR REGISTRATIE VAN DE GARANTIE EN DE VOLLEDIGE ALGEMENE VOORWAARDEN.

Voor klanten in de Verenigde Staten en Mexico: www.chauvetlighting.com/warranty-registration.

Voor klanten in het Verenigd Koninkrijk, Ierland, België, Nederland, Luxemburg, Frankrijk en Duitsland: www.chauvetlighting.eu/warranty-registration.

Chauvet garandeert dat dit product bij normaal gebruik vrij zal blijven van defecten in materiaal en vakmanschap, voor de opgegeven periode en onder voorbehoud van de uitzonderingen en beperkingen die zijn uiteengezet in de volledige beperkte garantie op onze website. Deze garantie geldt uitsluitend voor de oorspronkelijke koper van het product en is niet overdraagbaar. Om onder deze garantie rechten uit te oefenen, moet u een aankoopbewijs overleggen in de vorm van een origineel verkoopbewijs van een geautoriseerde dealer, waarop de naam van het product en de aankoopdatum zichtbaar zijn. ER ZIJN GEEN ANDERE EXPLICIETE OF IMPLICIETE GARANTIES. Deze garantie geeft u specifieke wettelijke rechten. Mogelijk heeft u ook andere rechten die van staat tot staat en van land tot land verschillen. Deze garantie is uitsluitend geldig in de Verenigde Staten, het Verenigd Koninkrijk, Ierland, België, Nederland, Luxemburg, Frankrijk, Duitsland en Mexico. Neem contact op met uw lokale verkoper voor garantievoorwaarden in andere landen.

Veiligheids instructies

- Open het product NIET. Het bevat geen te onderhouden onderdelen.
- KIJK NIET in de lichtbron wanneer het apparaat is ingeschakeld.
- Zorg ervoor dat het product volledig is gesloten voordat u het in de oplaadkoffer stopt.
- Gebruik het product niet in een afgesloten ruimte of in een gebied zonder luchtcirculatie.
- LET OP: Bij het verplaatsen van het product uit extreme omgevingen, (bijv. koude vrachtwagen naar warme, vochtige balzaal) kan er condensvorming optreden op de elektronica van het product. Om storingen te vermijden moet het product volledig kunnen acclimatiseren aan de omgeving voordat het op stroom wordt aangesloten.
- Om onnodige slijtage te elimineren en zijn levensduur te verlengen, gedurende perioden wanneer het product niet wordt gebruikt, moet u het product van de stroom afsluiten door een aardlekschakelaar om te zetten of door het te ontkoppelen.
- LET OP: De behuizing van dit product kan heet zijn wanneer het in bedrijf is.
- Monteer dit product op een plek met voldoende ventilatie, ten minste 50 cm van de aangrenzende oppervlakken.
- Plaats geen ontvlambaar materiaal binnen 50 cm van dit product als het in gebruik is of is aangesloten op het stopcontact.
- GEBRUIK een veiligheidskabel bij het boven het hoofd plaatsen van dit product.
- Dit product NIET onderdompelen (IP65). Regelmatig gebruik buitenshuis is prima.
- Gebruik dit product NIET als de behuizing, lenzen of kabels beschadigd lijken.
- **Het wordt afgeraden om de wegafdekking tijdens het opladen van de batterij te sluiten tenzij de procedure wordt gecontroleerd.**
- Sluit de oplaadkoffer NIET aan op een dimmer of een regelweerstand.
- Sluit dit product UITSLUITEND op een geaard en beveiligd stroomcircuit.
- Gebruik UITSLUITEND de hendel om dit product te dragen.
- Stop in het geval van ernstige operationele problemen onmiddellijk met het gebruik.
- De maximale omgevingstemperatuur bedraagt 45 °C. Gebruik dit product niet bij hogere temperaturen.

Contact

Van buiten de VS, Verenigd Koninkrijk, Ierland, Mexico, Frankrijk, Duitsland of Benelux kunt u contact opnemen met de distributeur of om ondersteuning vragen dan wel het product retourneren. Ga naar [Contact Us](#) voor contactinformatie.

Wat is inbegrepen

- 6-WELL Fit
- Neutrik® powerCON® stroomsnoer
- Oplaadkoffer
- IR-afstandsbediening
- Garantiekaart
- Beknopte handleiding

AC-Stroom

De oplaadkoffer heeft een voeding met automatisch bereik die werkt met een ingangsspanning van 100–240 VAC, 50/60 Hz.

Power Linking

U kunt tot 5 WELL Fit-producten koppelen bij 120 V, 9 WELL Fit-producten koppelen bij 208 V, of 9 producten bij 230 V. Dit aantal niet overschrijden. Power Linking-snoeren kunnen apart aangeschaft worden.

AC-stekke

Aansluiting	Snoer (VS)	Snoer (Europa)	Schroefkleur
AC Live	Zwart	Bruin	Geel/messing
AC Neutraal	Wit	Blauw	Zilver
AC Aarde	Groen/geel	Groen/geel	Groen



Om onnodige slijtage te elimineren en zijn levensduur te verlengen, gedurende perioden wanneer het product niet wordt gebruikt, moet u het product van de stroom afsluiten door een aardlekschakelaar om te zetten of door het te ontkoppelen.

De zekering vervangen

De WELL Fit heeft geen externe zekering. De lader van de roadcase is echter uitgerust met een vervangbare zekering.

1. Ontkoppel dit product van de stroom.
2. Gebruik een platkopschroevendraaier en schroef de kap van de zekeringshouder los van de behuizing.
3. Verwijder de doorgebrande zekering en vervang het met een werkende zekering van hetzelfde type en met dezelfde waarde.
4. Schroef de kap van de zekeringhouder terug en steek de stekker er weer in.

Opmerkingen over het laden van de accu

Dit product is uitgerust met een ingebouwde oplaadbare lithium-ion accu.

- Gebruik de accu als het accupcentage onder de 10% ligt.
- Voor het beste resultaat moet de accu opgeladen worden in een temperatuur tussen 0 °C en 35 °C.
- Bij het opladen van de accu moet het product ten minste 1 m van open vuur of een hete plaat gehouden worden.
- Als de accu helemaal leeg is, mag het apparaat niet direct aangezet worden zodra de lader wordt aangesloten. Laat een leeggelopen accu enkele minuten opladen voordat u het apparaat aanzet.
- Tijdens het opladen kan het apparaat warm worden. Dit is normaal en is niet van invloed op de levensduur of prestaties van het apparaat. Als de accu warmer worden dan normaal kan de oplader het opladen stoppen.
- **Het wordt afgeraden om de wegafdekking tijdens het opladen van de batterij te sluiten tenzij de procedure wordt gecontroleerd.**
- Laad de accu altijd op met het product rechtop.
- Laad de accu niet langer op dan 24 uur

Opmerkingen over de opslag

- Bewaar opgeladen product(en) in een droge omgeving, uit de buurt van direct zonlicht.
- Voordat u de accu opbergt kunt u deze het beste opladen of ontladen tot 50% van het accuvermogen.
- Lithium-Ion-accu's ontladen langzaam (zelfontlading) wanneer ze niet gebruikt worden of tijdens opslag. Controleer de oplaadstatus van de accu regelmatig
- Bewaar de accu bij temperaturen tussen 5 °C en 20 °C.
- Bewaar het product altijd rechtop ($\leq 10^\circ$ kanteling)...



LET OP: De aan/uit-stand staan voordat u het product in de oplaadkoffer stopt.

DMX-koppeling

De WELL Fit kan met een DMX-controller werken met een draadloze DMX verbinding. Op www.chauvetprofessional.com is een DMX-basishandleiding verkrijgbaar.

DMX-aansluiting

De WELL Fit gebruikt een draadloze DMX-gegevensverbinding voor zijn DMX-persoonlijkheden: **4Ch, 6Ch, 10Ch, HSV** en **HSI**. Zie de gebruikershandleiding om te verbinden en te configureren voor DMX-werking.

Infrarood afstandbediening (IRC)

De WELL Fit is volledig compatibel met de infrarood afstandsbediening (IRC) van CHAUVET. Voor meer informatie over de IRC, downloadt u de gebruikershandleiding van www.chauvetprofessional.com.



Het kan nodig zijn om het product aan en uit te zetten wanneer u van W-DMX naar IRC schakelt en omgekeerd.

Draadloze bediening

In optimale omstandigheden, kan de WELL Fit werken tot een afstand van 300 m van de W-DMX zender. De W-DMX ontvanger in de WELL Fit moet met de W-DMX zender zijn gekoppeld voor draadloze werking.

Eerste opstelling

1. Schakel de W-DMX-zender in.
2. Sluit de W-DMX-zender aan op een DMX-regelaar.
3. Plaats de WELL Fit binnen 300 m van de W-DMX-zender.
4. Schakel de WELL Fit in.

Configuratie

1. Ga vanuit het bedieningspaneel van de WELL Fit naar het **DMX Address**.
2. Kies het startadres, zoals bij elk ander DMX-compatibel product.
3. Ga naar **Wireless Setting > Receive**.
4. Kier **On**. (De aanduiding van de signaalsterkte toont een ? voor de streepjes)
5. Druk op de W-DMX-zender op de resetknop. (De indicator van de signaalsterkte op de WELL Fit toont 3 seconden een ⚡ voor de streepjes terwijl een verbinding wordt opgestart.)

Koppelen van het product

Als de WELL Fit al is gekoppeld met de W-DMX-zender, toont de indicator voor de signaalsterkte in het midden van het LCD-scherm de signaalsterkte. In dit geval is de WELL Fit al klaar voor gebruik in de draadloze modus.

Koppelen van de WELL Fit en een nieuwe W-DMX-zender

1. Ga vanuit het bedieningspaneel van de WELL Fit naar **Wireless Setting**.
2. Kies **Reset**. (De aanduiding van de signaalsterkte op de WELL Fit toont een ? voor de streepjes)
3. Druk vanuit de W-DMX-zender op **<RESET>** (de signaalaanduiding op de zender zal knipperen)
4. Nadat de zender de WELL Fit heeft gevonden, zal de signaalaanduiding op de W-DMX zender onafgebroken branden.
5. De aanduiding voor de signaalsterkte in het midden van het LCD-scherm op de WELL Fit toont de signaalsterkte.

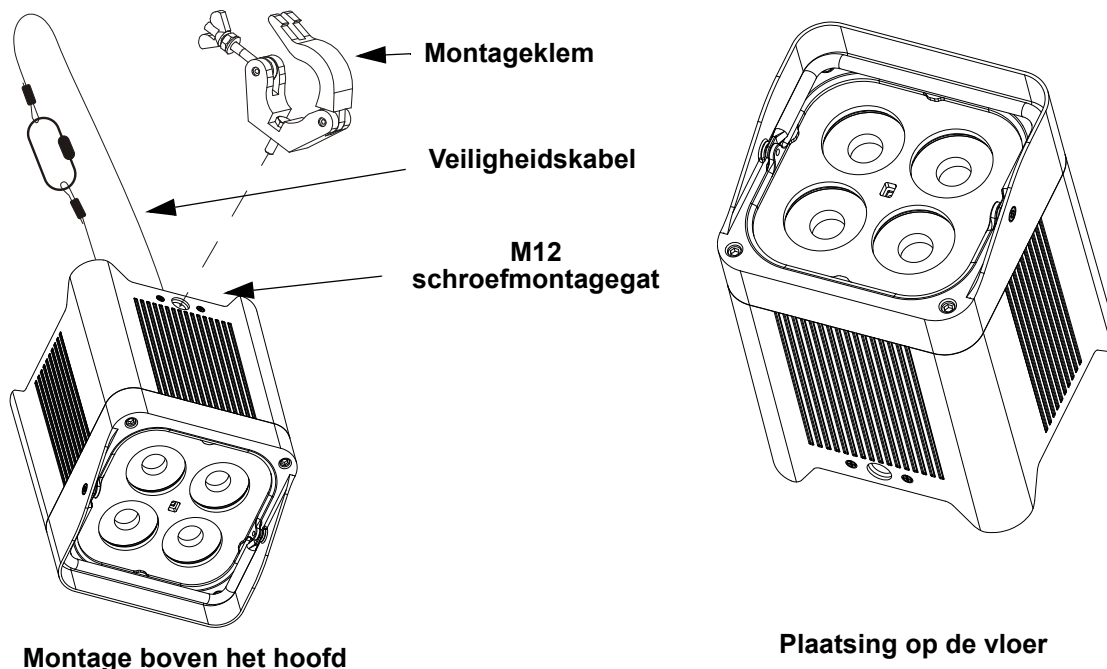


De werking van W-DMX kan worden verstoord of onderbroken door vloeistofmassa's tussen de zender en de ontvanger, zoals water, sneeuw of mensen. Houd het gebied tussen de zender en de ontvanger voor de beste resultaten vrij van vloeistofmassa.

Montage

Lees alvorens dit product te monteren alle [Veiligheids instructies](#). Gebruik ten minste één montagepunt per product. Controleer of de montageklem het gewicht van het product kan dragen. Ga voor onze Chauvet-serie montageklemmen naa <http://trusst.com/productcategory/truss-clamps/>

Montagediagram



Beschrijving bedieningspaneel

Toet	Functie
On/Off	Schakelt het product aan/uit
<MENU>	Sluit het huidige menu of functie af
<ENTER>	Activeert het huidige getoonde menu of plaatst de huidige geselecteerde waarde in de geselecteerde functie
<UP>	Navigeert omhoog via het menu of verhoogt de numerieke waarde wanneer in een functie
<DOWN>	Navigeert omlaag via het menu of verlaagt de numerieke waarde wanneer in een functie

Toegangscode

Vul na dat gevraagd te worden de volgende toegangscode in:

<UP>, **<DOWN>**, **<UP>**, **<DOWN>**, **<ENTER>**.

Deze toegangscode kan niet gewijzigd worden en moet indien gevraagd ingevuld worden.

Menumap

Hoofdniveau	Programmeerniveaus			Beschrijving
Auto Show	Auto 1-5	Speed	<0-100>	Automatische programma's
Static	Fixed Color		R	Rood
			G	Groen
			B	Blauw
			A	Amber
			GB	Groen en blauw
			RB	Rood en blauw
			RG	Rood en groen
			RGB	Rood, groen en blauw
			RA	Rood en amber
			GA	Groen en amber
			BA	Blauw en amber
			RGA	Rood, groen en amber
			RBA	Rood, blauw en amber
			GBA	Groen, blauw en amber
		RGBA	Rood, groen, blauw en amber	
	Manual Color	R	Value	<0-255>
		G		
		B		
		A		
Dimmer Mode	Off			Lineaire dimmer
	Dimmer 1-3			Selecteert dimprofielen van snel (Dimmer 1) tot langzaam (Dimmer 3)
Back Light	On			De backlight van de display is altijd aan
	10S			Schakelt de backlight van de display uit na 10s van inactiviteit
	20S			Schakelt de backlight van de display uit na 20s van inactiviteit
	30S			Schakelt de backlight van de display uit na 30s van inactiviteit
Information	Fixture Hours			Toont het totale aantal producturen
	Version			Toont de geïnstalleerde softwareversie
DMX Address	<1-512>			Selecteert het start-adres (hoogste kanaal beperkt tot de gekozen persoonlijkheid)

Hoofdniveau	Programmeerniveaus				Beschrijving
DMX Channel	4Ch				4-kanaal: RGBA-regeling
	6Ch				6-kanaal: dimmer, RGBA-regeling, stroboscoop
	10Ch				10-kanaal: Dimmer, RGBA-regeling, stroboscoop, kleurenmacro, programma's, snelheid, dimmersnelheidmodus
	HSV				3-kanaal: Kleurtoon, verzadiging, waarde
DMX Channel	HSI				3-kanaal: Kleurtoon, verzadiging, intensiteit
Master/Slave Mode	Master Slave				Gereserveerd voor toekomstig gebruik
White Balance	Balance	R	Value	<125–255>	Stelt de maximum waarde van de rode, groene en blauwe LED in
		G			
		B			
Wireless Setting	Receive	Off			Schakelt de DMX-functie aan/uit
		On	Reset	On	Schakelt het uit DMX-functie DMX-signaal aan/uit
				Off	
IR Setting	On				Zet de IR-ontvangen aan/uit
	Off				
Key Lock	On				Vergrendelt het display (wachtwoord is <UP>, <DOWN>, <UP>, <DOWN>, <ENTER>)
	Off				
Reset Factory	No				Herstellen naar de fabrieksstandaard
	Yes				

DMX-waarden

10Ch

Kanaal	Functie	Waarde	Percentage/Instelling
1	Dimmer	000 ⇔ 255	0–100%
2	Rood	000 ⇔ 255	0–100%
3	Groen	000 ⇔ 255	0–100%
4	Blauw	000 ⇔ 255	0–100%
5	Amber	000 ⇔ 255	0–100%
6	Stroboscoop	000 ⇔ 010 011 ⇔ 255	Geen functie Stroboscoop, langzaam tot snel
7	Kleurenmacro	000 ⇔ 010 011 ⇔ 030 031 ⇔ 050 051 ⇔ 070 071 ⇔ 090 091 ⇔ 110 111 ⇔ 130 131 ⇔ 150 151 ⇔ 170 171 ⇔ 200 201 ⇔ 205 206 ⇔ 210 211 ⇔ 215 216 ⇔ 220 221 ⇔ 225 226 ⇔ 230 231 ⇔ 235 236 ⇔ 240 241 ⇔ 245 246 ⇔ 250 251 ⇔ 255	Geen functie R:100% G: 0-100% B: 0 R:100%-0 G: 100% B: 0 R:0 G: 100% B: 0-100% R:0 G: 100%-0 B: 100% R:0-100% G: 0 B: 100% R:100% G: 0 B: 100%-0 R:100% G: 0-100% B: 0-100% R:100%-0 G: 100%-0 B: 100% RGBA: 100% Kleurtemperatuur 1 (warmst) Kleurtemperatuur 2 Kleurtemperatuur 3 Kleurtemperatuur 4 Kleurtemperatuur 5 Kleurtemperatuur 6 Kleurtemperatuur 7 Kleurtemperatuur 8 Kleurtemperatuur 9 Kleurtemperatuur 10 Kleurtemperatuur 11 (koelst)
8	Automatisch programma's	000 ⇔ 051 052 ⇔ 101 102 ⇔ 152 153 ⇔ 203 204 ⇔ 254 255	Geen functie Programma 1 Programma 2 Programma 3 Programma 4 Programma 5 (Programma 1–4)
9	Programmasnelheid	000 ⇔ 255	Programmasnelheid, langzaam tot snel

Kanaal	Functie	Waarde	Percentage/Instelling
10	Dimmersnelheidmodus	000 ⇔ 051	Voorinstelling van de dimmersnelheid vanaf het displaymenu
		052 ⇔ 101	Dimmer snelheidsmodus uit (lineaire dimmer)
		102 ⇔ 152	Dimmer snelheidsmodus 1 (snelst)
		153 ⇔ 203	Dimmer snelheidsmodus 2
		204 ⇔ 255	Dimmer snelheidsmodus 3 (langzaamst)

6Ch

Kanaal	Functie	Waarde	Percentage/Instelling
1	Dimmer	000 ⇔ 255	0–100%
2	Rood	000 ⇔ 255	0–100%
3	Groen	000 ⇔ 255	0–100%
4	Blauw	000 ⇔ 255	0–100%
5	Amber	000 ⇔ 255	0–100%
6	Stroboscoop	000 ⇔ 010	Geen functie
		011 ⇔ 255	Stroboscoop, langzaam tot snel

4Ch

Kanaal	Functie	Waarde	Percentage/Instelling
1	Rood	000 ⇔ 255	0–100%
2	Groen	000 ⇔ 255	0–100%
3	Blauw	000 ⇔ 255	0–100%
4	Amber	000 ⇔ 255	0–100%

HSV

Kanaal	Functie	Waarde	Percentage/Instelling
1	Kleurtoon	000 ⇔ 255	0–100%
2	Verzadiging	000 ⇔ 255	0–100%
3	Waarde	000 ⇔ 255	0–100%

HSI

Kanaal	Functie	Waarde	Percentage/Instelling
1	Kleurtoon	000 ⇔ 255	0–100%
2	Verzadiging	000 ⇔ 255	0–100%
3	Intensiteit	000 ⇔ 255	0–100%

Contact Us

General Information	Technical Support
Chauvet World Headquarters	
Address: 5200 NW 108th Ave. Sunrise, FL 33351 Voice: (954) 577-4455 Fax: (954) 929-5560 Toll Free: (800) 762-1084	Voice: (844) 393-7575 Fax: (954) 756-8015 Email: chauvetcs@chauvetlighting.com Website: www.chauvetprofessional.com
Chauvet Europe Ltd	
Address: Unit 1C Brookhill Road Industrial Estate Pinxton, Nottingham, UK NG16 6NT Voice: +44 (0) 1773 511115 Fax: +44 (0) 1773 511110	Email: UKtech@chauvetlighting.eu Website: www.chauvetprofessional.eu
Chauvet Europe BVBA	
Address: Stokstraat 18 9770 Kruishoutem Belgium Voice: +32 9 388 93 97	Email: BNLtech@chauvetlighting.eu Website: www.chauvetprofessional.eu
Chauvet France	
Address: 3, Rue Ampère 91380 Chilly-Mazarin France Voice: +33 1 78 85 33 59	Email: FRtech@chauvetlighting.fr Website: www.chauvetprofessional.eu
Chauvet Germany	
Address: Bruno-Bürgel-Str. 11 28759 Bremen Germany Voice: +49 421 62 60 20	Email: DEtech@chauvetlighting.de Website: www.chauvetprofessional.eu
Chauvet Mexico	
Address: Av. de las Partidas 34 - 3B (Entrance by Calle 2) Zona Industrial Lerma Lerma, Edo. de México, CP 52000 Voice: +52 (728) 690-2010	Email: servicio@chauvet.com.mx Website: www.chauvetprofessional.mx

Visit the applicable website above to verify our contact information and instructions to request support. Outside the U.S., United Kingdom, Ireland, Mexico, France, Germany, or Benelux, contact the dealer of record.



UL 1573
CSA C22.2 No. 166
E113093



RoHS