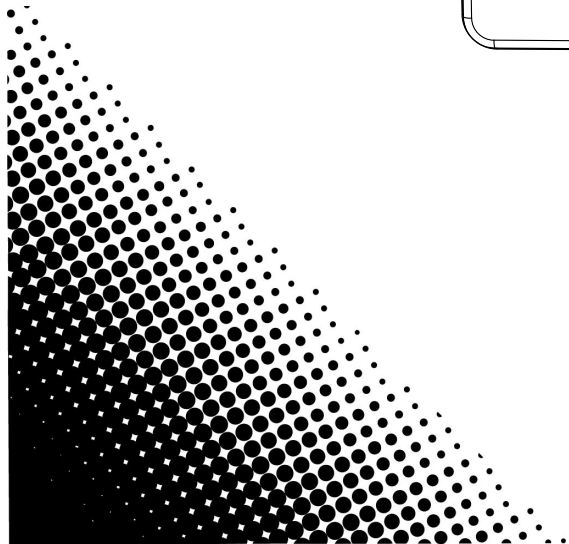
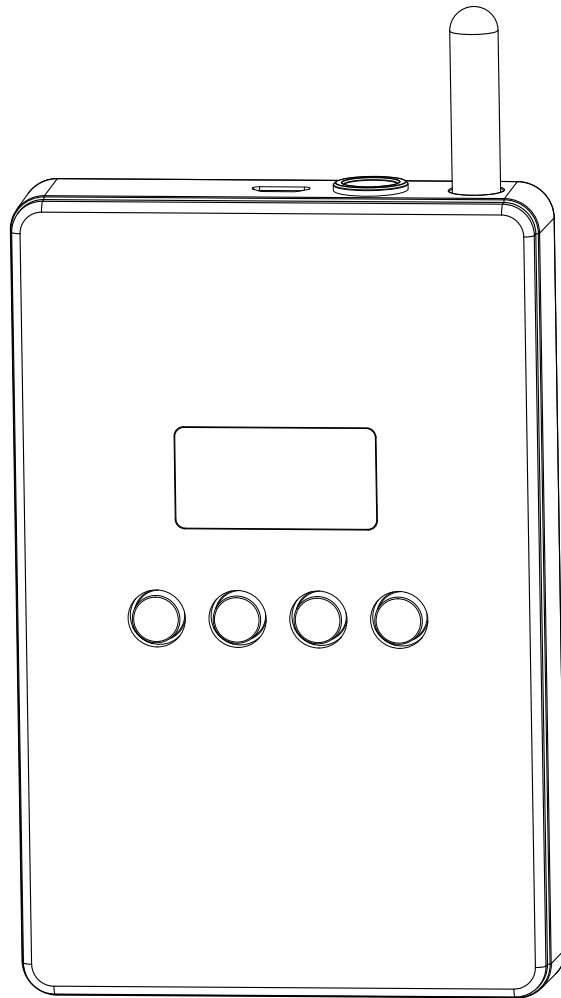




FlareCON Air 2

Quick Reference Guide



About This Guide

The FlareCON Air 2 Quick Reference Guide (QRG) has basic product information such as mounting, menu options, and DMX values. Download the User Manual from www.chauvetdj.com for more details.

Disclaimer

The information and specifications contained in this QRG are subject to change without notice.

LIMITED WARRANTY

FOR WARRANTY REGISTRATION AND COMPLETE TERMS AND CONDITIONS PLEASE VISIT OUR WEBSITE.

For Customers in the United States and Mexico: www.chauvetlighting.com/warranty-registration.

For Customers in the United Kingdom, Republic of Ireland, Belgium, the Netherlands, Luxembourg, France, and Germany: www.chauvetlighting.eu/warranty-registration.

Chauvet warrants that this product shall be free from defects in material and workmanship under normal use, for the period specified in, and subject to the exclusions and limitations set forth in the full limited warranty on our website. This warranty extends only to the original purchaser of the product and is not transferable. To exercise rights under this warranty, you must provide proof of purchase in the form of an original sales receipt from an authorized dealer that shows the product name and date of purchase. THERE ARE NO OTHER EXPRESS OR IMPLIED WARRANTIES. This warranty gives you specific legal rights. You may also have other rights that vary from state to state and country to country. This warranty is valid only in the United States, United Kingdom, Republic of Ireland, Belgium, the Netherlands, Luxembourg, France, Germany and Mexico. For warranty terms in other countries, please consult your local distributor.

FCC Statement

This equipment has been tested and found to comply with the limits for a Class B digital device, pursuant to part 15 of the FCC Rules. These limits are designed to provide reasonable protection against harmful interference in a residential installation. This equipment generates, uses and can radiate radio frequency energy and, if not installed and used in accordance with the instructions, may cause harmful interference to radio communications.

However, there is no guarantee that interference will not occur in a particular installation. If this equipment does cause harmful interference to radio or television reception, which can be determined by turning the equipment off and on, the user is encouraged to try to correct the interference by one or more of the following measures:

- (1) Reorient or relocate the receiving antenna.
- (2) Increase the separation between the equipment and receiver.
- (3) Connect the equipment into an outlet on a circuit different from that to which the receiver is connected.
- (4) Consult the dealer or an experienced radio/TV technician for help.

Caution: Any changes or modifications to this device not explicitly approved by manufacturer could void your authority to operate this equipment.

This device complies with part 15 of the FCC Rules. Operation is subject to the following two conditions: (1) This device may not cause harmful interference, and (2) this device must accept any interference received, including interference that may cause undesired operation.

Safety Notes

These Safety Notes include important information about installation, use, and maintenance.



- This product is not intended for permanent installation.
- ONLY connect this product to a grounded and protected circuit.
- DISCONNECT from power and turn off before cleaning.
- DO NOT look at the light source when the product is on.
- Make sure the power cord is not crimped or damaged.
- Never disconnect this product from power by pulling on the cord.
- DO NOT allow flammable materials close to the product when it is operating.
- DO NOT touch the product's housing when it is on because it will be hot.



- The voltage of the outlet to which you are connecting this product must be within the range stated on the decal or rear panel of the product.
- This product is for indoor use only! (IP20) To prevent risk of fire or shock, do not expose this product to rain or moisture.
- Be sure that no ventilation slots on the unit's housing are blocked.
- Never connect this product to a dimmer or rheostat.
- Never carry the product by the power cord. Use only the hanging bracket or handle to carry this product.
- The maximum ambient temperature is 104 °F (40 °C). Do not operate this product at higher temperatures.
- In the event of a serious operating problem, stop using immediately.
- DO NOT open this product. It contains no user-serviceable parts.
- To eliminate unnecessary wear and improve its lifespan, during periods of non-use completely disconnect the product from power via breaker or by unplugging it.

Contact

Outside the US, U.K., Ireland, France, Germany, Mexico, or Benelux, contact your distributor to request support or return a product. Visit www.chauvetdj.com for contact information.

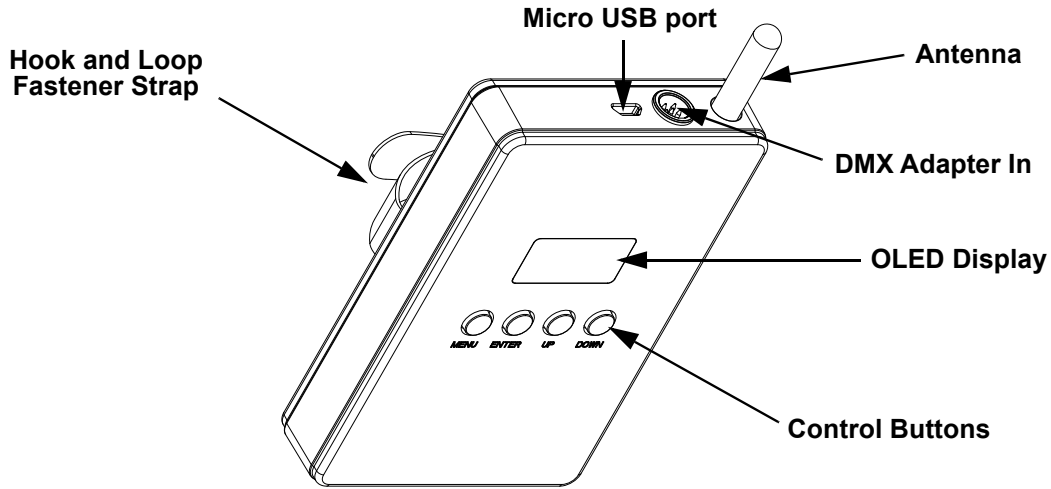
What is Included

- FlareCON Air 2
- External power supply
- USB cable
- DMX Adapter
- Quick Reference Guide

To Begin

Unpack your FlareCON Air 2 and make sure you have received all parts in good condition. If the box or contents appear damaged, notify the carrier immediately, not Chauvet.

Product Overview



To power the product ON or OFF, press and hold the <MENU> + <ENTER> buttons for 3 seconds.

AC Power

This product has an auto-ranging external power supply that can work with an input voltage range of 100 to 240 VAC, 50/60 Hz.



To eliminate wear and improve its lifespan, during periods of disuse completely disconnect the product from power via breaker or by unplugging it.

Battery Power

The FlareCON Air 2 comes with a rechargeable lithium battery for cable free operation.

Charging the Battery

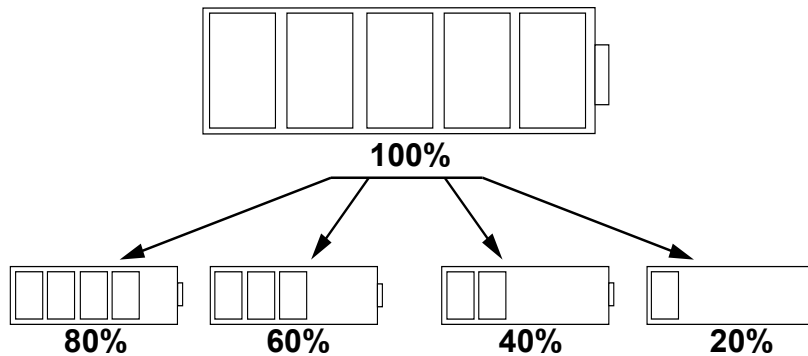
The battery charges whenever the FlareCON Air 2 is plugged into the external charger and the charger is plugged into a power source. If the product is plugged in and not in operation, make sure the product is turned off.



When using the external power supply, charge the FlareCON Air 2 while the unit is powered OFF.

Battery Life Indicator

The indicators on the LED Menu Display show how much battery life remains available. The drawing below provides a key to reading the battery life indicators.



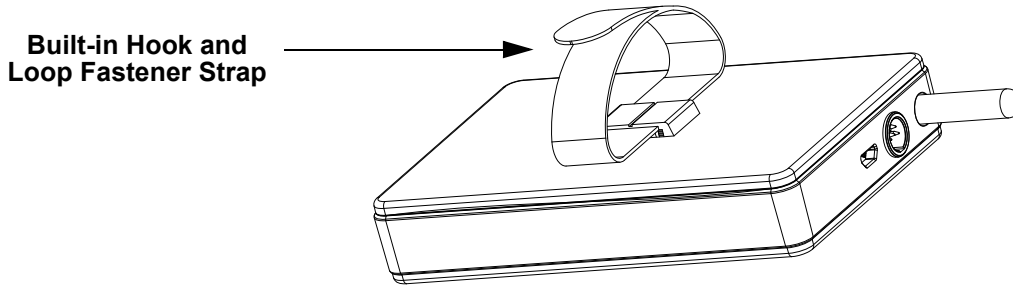
Battery Run Time

Maximum Run Time (all colors on)	Recharge Time
Up to 8 hours	4 hours

Mounting

Before mounting this product, read the [Safety Notes](#).

Mounting Diagram



Control Panel Description

Button	Function
<MENU>	Exits from the current menu or function
<UP>	Navigates upwards through the menu list and increases the numeric value when in a function
<DOWN>	Navigates downwards through the menu list and decreases the numeric value when in a function
<ENTER>	Enables the currently displayed menu or sets the currently selected value into the selected function

Menu Map

Mode	Programming Levels	Description
Manual Channel	<CH01–16>	Manually selects a channel for the D-Fi network
Input Mode	<WIFI>	Sets the input mode to wireless WiFi™ signal input
	<DMX>	Sets the input mode to wired DMX signal input
Back Light	On	Does not turn off
	10S	Turns off after 10 seconds
	20S	Turns off after 20 seconds
	30S	Turns off after 30 seconds
Information	Version	Shows installed software version
	WIFI SSID <Wi-Fi™ name>	Displays the name of the current Wi-Fi™ network (SSID)
	WIFI Channel <01–16>	Displays the number of the current channel
Factory Reset	No	Resets to factory settings
	Yes	

Using FlareCON Air 2

FlareCON Air 2 works with the following:

- Smartphones and tablets (mobile devices) running the FlareCON app
- D-Fi-compatible lights
- D-Fi Hub
- DMX controllers
- DMX lights when used with a D-Fi Hub or connected directly via a DMX cable

The FlareCON app is free and available from the Google Play Store or the Apple App Store.



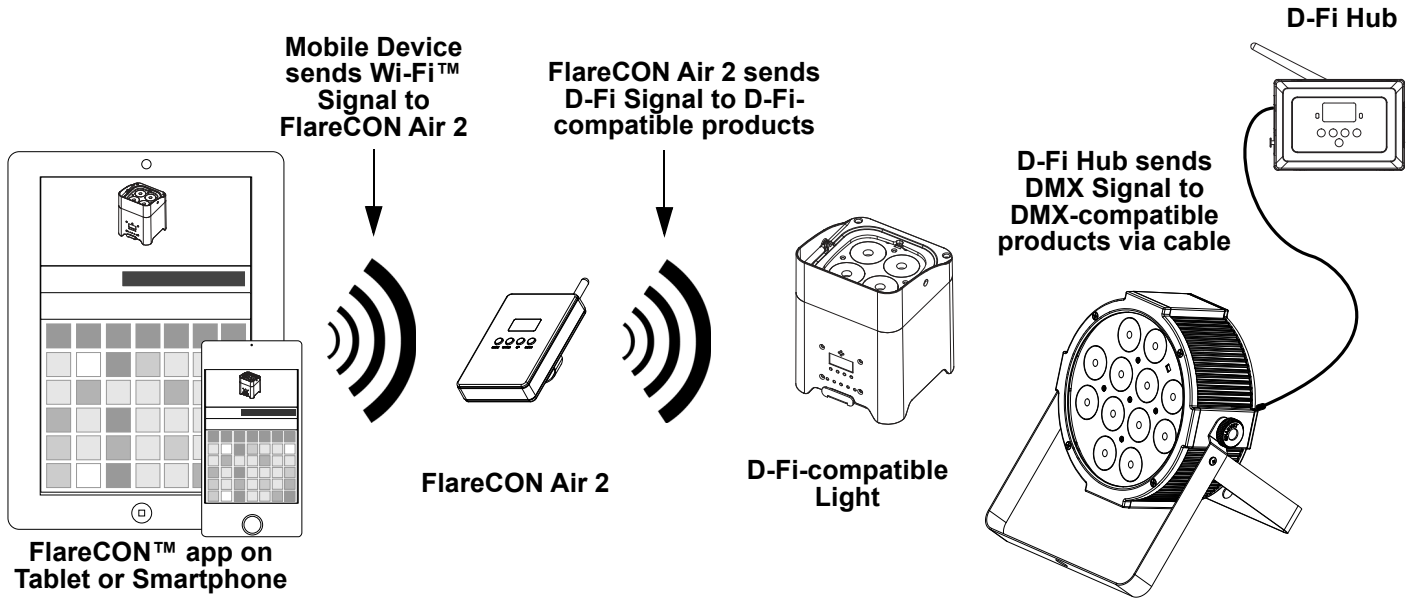
Be sure to connect only one mobile device at a time.



To power the product ON or OFF, press and hold the <MENU> + <ENTER> buttons for 3 seconds.

Wireless D-Fi Signals

When FlareCON Air 2 is used with a mobile device it creates a wireless network (Wi-Fi™) for receiving the signals from the mobile device, and then it sends D-Fi signals wirelessly to D-Fi-compatible lights or a D-Fi Hub.



Be sure to connect only one smartphone or tablet at a time.

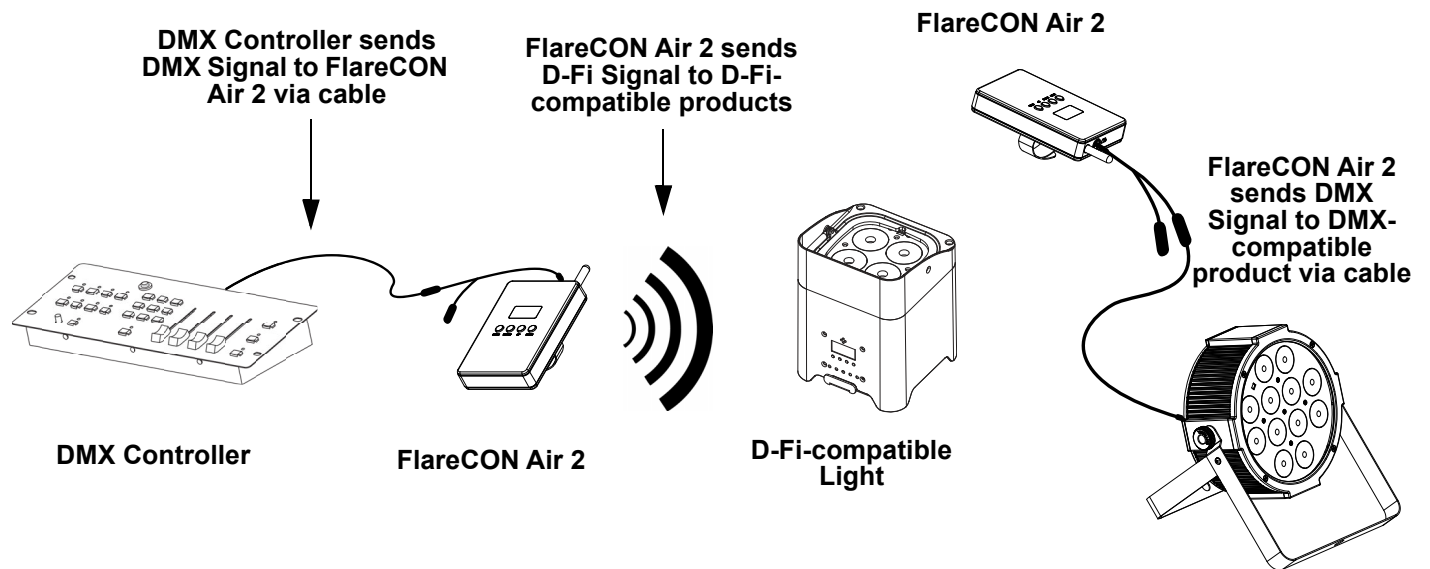


- The tablet or smartphone running FlareCON app should be within 200 ft (60 m) of FlareCON Air 2.
- Always install FlareCON Air 2 within 400 ft (120 m) of the products receiving D-Fi. FlareCON Air 2 works best within the line of sight of the D-Fi products.

DMX Signals from a Controller via Cable

When FlareCON Air 2 is used with a DMX controller, FlareCON Air 2 receives signals from the controller through a DMX cable. FlareCON Air 2 then sends:

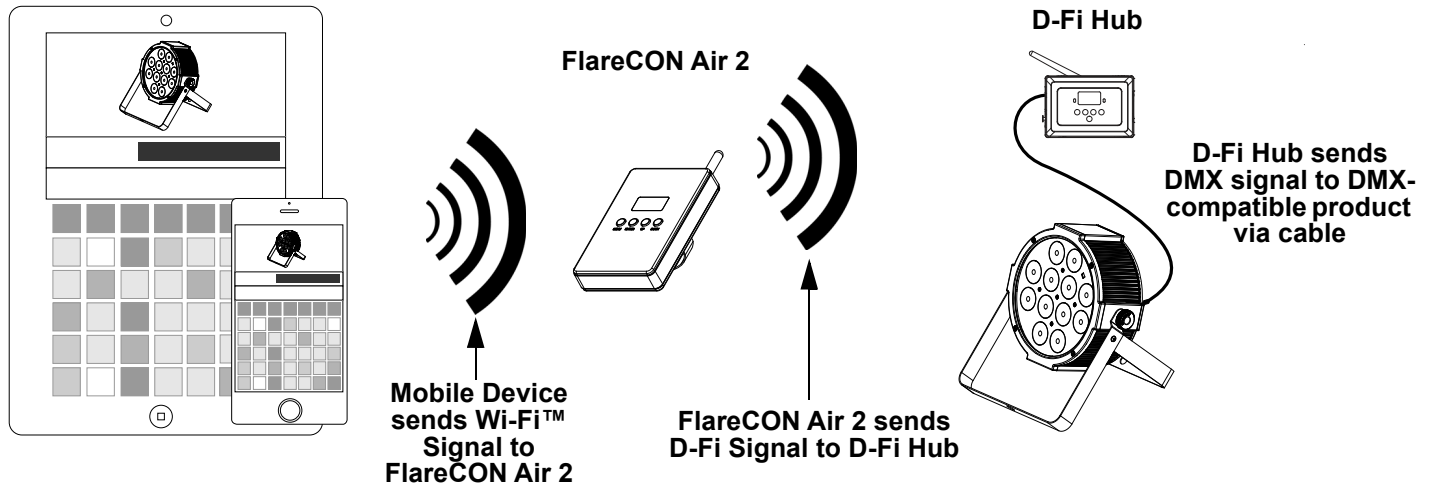
- D-Fi signals wirelessly to D-Fi-compatible lights
- DMX signals via a DMX cable connected to any DMX-compatible product



Always install FlareCON Air 2 within 400 ft (120 m) of the products receiving D-Fi. FlareCON Air 2 works best within the line of sight of the D-Fi products.

Wireless Control with DMX Products

When using the FlareCON Air 2 to wirelessly send D-Fi signals while using DMX lights that have no D-Fi capability, FlareCON Air 2 must be used with a D-Fi Hub. The FlareCON Air 2 creates a wireless network (Wi-Fi™) for receiving the signals from the mobile device, and sends D-Fi signals wirelessly to the D-Fi Hub. D-Fi Hub then converts those signals to DMX and sends those signals through a DMX cable to the DMX lights.



- Be sure to connect only one smartphone or tablet at a time.
- The tablet or smartphone running FlareCON app should be within 200 ft (60 m) of FlareCON Air 2.
- Always install FlareCON Air 2 within 400 ft (120 m) of the products receiving D-Fi. FlareCON Air 2 works best within the line of sight of the D-Fi products.

Setting Up Products with FlareCON Air 2

The FlareCON Air 2 allows several different configurations with D-Fi and DMX products. Refer to examples shown in the [Using FlareCON Air 2](#) sections for configuration requirements in your setup.

To configure your products with FlareCON Air 2, you will be performing the following steps:

1. Connect FlareCON Air 2 to power.
2. Turn on Wi-Fi™ on your mobile device.



If you have not already done so, download and install FlareCON app onto your mobile device.

3. Go to Wi-Fi™ settings on your mobile device and connect to FlareCON Air 2's default Wi-Fi™ (SSID). See [Connecting to a Mobile Device](#) for instructions.
4. To avoid interference with other wireless signals in the immediate area, manually select the Wi-Fi™ channel <CH01> to <CH16> on the FlareCON Air 2. See [Selecting A Channel](#).
5. Set your products to receive signal input from FlareCON Air 2. For details, refer to the User Manuals for the products in your setup.
 - Set products to receive signals on the same channel as was set on FlareCON Air 2 in the previous step.
 - Set products to their most basic DMX personality.



Make sure the DMX starting address is set to 001.

6. Select whether FlareCON Air 2 receives signals wirelessly or via a DMX cable. See [Selecting a Signal Input Mode](#).



For DMX products, be sure to use a DMX cable to connect from DMX Out of the product transmitting the DMX signal (depending on your setup, FlareCON Air 2 or D-Fi Hub) to the DMX In of the product receiving the DMX signal.

7. Once your products are properly connected to FlareCON Air 2, and FlareCON Air 2 is properly connected to FlareCON app, open the FlareCON app on your mobile device. For details, refer to the [Connecting to a Mobile Device](#) section.

Using your mobile device, you can now select the colors emitted by your lights. Refer to the [Configuring FlareCON Air 2](#) section below for details on setting up products with FlareCON Air 2.

Configuring FlareCON Air 2

Configuring FlareCON Air 2 involves selecting the operating channel and input mode - either Wi-Fi™ to operate it from a mobile device, or DMX to connect it to a controller.

Selecting A Channel

The Wi-Fi™ channel can be selected manually. To select an operating channel, do the following:

1. Connect FlareCON Air 2 to power.
2. Press <MENU> to access the main menu.
3. Use <UP> or <DOWN> until **Manual Channel** is selected in the display.
4. Press <ENTER>.
5. Use <UP> or <DOWN> to scroll through channel numbers <CH01> to <CH16>.
6. Press <ENTER> to select the channel number. Use this same channel to set the other products' receiving channel.

Selecting a Signal Input Mode

Selecting the signal mode input determines how the FlareCON Air 2 receives control signals, either in Wi-Fi™ mode from the FlareCON app or in DMX mode from a DMX controller or another light.

To set the signal input mode, do the following:

1. Connect the FlareCON Air 2 to power.
2. Press <MENU> to access the main menu.
3. Use <UP> or <DOWN> until **Input Mode** is selected in the display.
4. Press <ENTER>.
5. Use <UP> or <DOWN> to select the <WIFI> or <DMX> mode.
6. Press <ENTER> to set the desired input mode.

Connecting to a Mobile Device

Connect to a mobile device only after the FlareCON Air 2 has been configured, and the FlareCON app has been installed on the mobile device.

To complete the connection to your mobile devices, you will need to do the following:

1. Find the name of FlareCON Air 2's default Wi-Fi™. See [Finding the Name of FlareCON Air 2 Wi-Fi™](#).
2. Using the Wi-Fi™ network name identified in the previous step, select this Wi-Fi™ network on your mobile device. See [Connecting to FlareCON Air 2 Wi-Fi™](#).

When using a smartphone or tablet running on Android operating systems, it might be helpful to adjust the Wi-Fi™ settings on your mobile device to avoid losing the Wi-Fi™ connection to the FlareCON Air 2. Depending on the exact model of your mobile device, the exact wording in your settings options may vary. Perform either or both of the following:

1. **Open Wi-Fi™ settings on your smartphone or tablet.**
2. **Deselect functionality that turns on Wi-Fi™ scanning.**
3. **Deselect functionality that automatically switches Wi-Fi™ networks.**
4. **Return to Wi-Fi™ settings on your smartphone or tablet.**
5. **Select the Application Manager.**
6. **Select ALL.**
7. **Scroll to and select Wi-Fi™ to clear data and clear cache.**
8. **Scroll to and select Wi-Fi™ Direct Share to clear data and clear cache.**



For more information about the Wi-Fi™ settings options on your smartphone or tablet, see the documentation that came with your mobile device.



Chauvet recommends having lights configured and ready to respond before connecting a mobile device.

Finding the Name of FlareCON Air 2 Wi-Fi™

To find the name of the FlareCON Air 2 Wi-Fi™, do the following:

1. Connect FlareCON Air 2 to power.
2. Make sure a channel is selected (see [Selecting A Channel](#)) and the input mode is set to **WIFI** (see [Selecting a Signal Input Mode](#)).
3. Press **<MENU>** to access the main menu.
4. Use **<UP>** or **<DOWN>** until **Information** is selected in the display.
5. Press **<ENTER>**.
6. Use **<UP>** or **<DOWN>** to display the current Wi-Fi™ name and channel number. Use this default Wi-Fi™ name (SSID) from FlareCON Air 2 to select the Wi-Fi™ on your mobile devices.
7. Press **<MENU>** to exit the **Information** menu function.

Connecting to FlareCON Air 2 Wi-Fi™

To connect a mobile device to the FlareCON Air 2 Wi-Fi™, do the following:

1. Connect FlareCON Air 2 to power.
2. Make sure the input mode is set to **WIFI**.
3. To connect your mobile device to the FlareCON Air 2 Wi-Fi™, use the Settings function of the mobile device to select the Wi-Fi™ network named in FlareCON Air 2's Information screen.
4. Open the FlareCON app. The SSID displays in the center of the screen.



Once connected, the name of the FlareCON Air 2 default Wi-Fi™ can be changed in the FlareCON app. See the FlareCON User Manual for more information. User Manuals are available at <http://www.chauvetdj.com/>.

Connecting to a DMX Controller

To configure a system that uses a DMX controller connected to FlareCON Air 2 to control lights (see [DMX Signals from a Controller via Cable](#)), do the following:

1. Set FlareCON Air 2 for DMX input. See [Selecting a Signal Input Mode](#).
2. Connect a DMX cable from the DMX Out of the controller to the DMX In adapter of FlareCON Air 2.
3. Configure remaining products. See [Setting Up Products with FlareCON Air 2](#).

For information about operating the DMX controller, see the user Manual for the controller. User Manuals for CHAUVET controllers are available from the Chauvet website at <http://www.chauvetdj.com/>.

Controlling DMX Lights with D-Fi Hub

FlareCON Air 2 can wirelessly control DMX lights when it is used with a D-Fi Hub.

To configure a system that uses FlareCON Air 2 and a D-Fi Hub to wirelessly control DMX lights, do the following:

1. Configure products as instructed in [Setting Up Products with FlareCON Air 2](#) using a D-Fi Hub as one of the wirelessly receiving products.
2. Connect a DMX cable from the DMX Out of the D-Fi Hub to the DMX In of the DMX product.

Information about using D-Fi Hub can be found in its manual on the Chauvet website at <http://www.chauvetdj.com/>.

Acerca de Esta Guía

La Guía de Referencia Rápida (GRR) del FlareCON Air 2 contiene información básica sobre el producto, como montaje, opciones de menú y valores DMX. Descargue el manual de usuario de www.chauvetdj.com para una información más detallada.

Exención de Responsabilidad

La información y especificaciones contenidos en esta GRR están sujetas a cambio sin previo aviso.

GARANTÍA LIMITADA

PARA VER EL REGISTRO DE GARANTÍA Y LOS TÉRMINOS Y CONDICIONES COMPLETOS, VISITE NUESTRO SITIO WEB.

Para clientes en los Estados Unidos y México: www.chauvetlighting.com/warranty-registration.

Para clientes en Reino Unido, República de Irlanda, Bélgica, Países Bajos, Luxemburgo, Francia y Alemania:

www.chauvetlighting.eu/warranty-registration.

Chauvet garantiza que este producto estará libre de defectos de material y mano de obra en condiciones de uso normales, durante el periodo especificado, sujeto siempre a las exclusiones y limitaciones establecidas en la garantía limitada completa de nuestro sitio web. Esta garantía se concede únicamente al comprador original del producto y no es transferible. Para ejercer los derechos que otorga esta garantía, usted debe proporcionar una prueba de compra en forma de un recibo de compra original, expedido por un distribuidor autorizado, donde figure el nombre del producto y la fecha de compra. **NO EXISTEN OTRAS GARANTÍAS EXPRESAS NI IMPLÍCITAS.** Esta garantía le otorga derechos legales específicos. Es posible que a usted le asistan otros derechos, que variarán dependiendo del estado o del país. Esta garantía solamente es válida en los Estados Unidos, Reino Unido, República de Irlanda, Bélgica, Países Bajos, Luxemburgo, Francia, Alemania y México. Para conocer los términos de garantía en otros países, consulte a su distribuidor local.

Declaración de la FCC

Este equipo se ha probado y se ha determinado que cumple los límites correspondientes a un dispositivo digital de Clase B, de conformidad con la parte 15 de las normas de la FCC. Estos límites están diseñados para proporcionar una protección razonable frente a las interferencias perjudiciales en una instalación de carácter doméstico. Este equipo genera, utiliza y puede emitir energía de radiofrecuencia y, si no se instala y utiliza conforme a las instrucciones, puede causar interferencias perjudiciales en las comunicaciones por radio. Sin embargo, no existe garantía de que no se producirán interferencias en una instalación determinada. Si este equipo causa interferencias perjudiciales en la recepción de radio o televisión, lo que puede determinarse apagando y encendiendo el equipo, se recomienda al usuario que intente corregir las interferencias adoptando una o más de las siguientes medidas:

1. Reorientar o reubicar la antena receptora.
2. Aumentar la distancia de separación entre el equipo y el receptor.
3. Conectar el equipo a una toma en un circuito diferente a aquel en el que esté conectado el receptor.
4. Consultar al distribuidor o a un técnico de radio/TV experimentado para obtener ayuda.

Precaución: Cualquier cambio o modificación que no haya sido expresamente autorizado por la parte responsable de conformidad puede anular la potestad del usuario para hacer funcionar el equipo. Este dispositivo cumple la parte 15, parte B de las normas FCC. El funcionamiento está supeditado al cumplimiento de estas dos condiciones: (1) Este dispositivo no puede causar interferencias perjudiciales y (2) este dispositivo debe aceptar cualquier interferencia recibida, incluyendo las interferencias que puedan causar un funcionamiento no deseado.

Notas de Seguridad

Estas notas de seguridad incluyen información importante sobre el montaje, uso y mantenimiento.



- Este producto no está concebido para una instalación permanente.
 - Conecte este producto SOLO a un circuito con toma de tierra y protegido.
 - Desconecte y apagar siempre de la alimentación antes de la limpieza.
 - NO mire a la fuente de luz cuando el producto esté encendido.
 - Asegúrese de que el cable de alimentación no está retorcido ni estropeado.
 - Nunca desconecte este producto del cable de alimentación agarrando o tirando del cable.
 - NO permita la presencia de materiales inflamables cerca de la unidad cuando esté en funcionamiento.
 - NO toque este producto cuando esté en funcionamiento, pues podría estar caliente.
-
- La tensión del enchufe al que conecte este producto ha de estar en el rango establecido en el grabado o en el panel posterior del producto.
 - ¡Este producto es para uso en interiores solamente! (IP20) Para evitar riesgos de incendio o descarga, no exponga este producto a la lluvia o la humedad.
 - Asegúrese de que ninguna ranura de ventilación en la carcasa de la unidad queda bloqueada.
 - Nunca conecte este producto a un atenuador o reostato.
 - Use SOLAMENTE los soportes de colgar/montar o las asas para mover este producto.
 - La temperatura ambiente máxima es de 104 °F (40 °C). No haga funcionar este producto a temperaturas más altas.
 - En caso de un problema grave de funcionamiento, deje de usarlo inmediatamente.
 - NO abra este producto. No contiene piezas reparables por el usuario.
 - Para evitar un desgaste innecesario y alargar su vida útil, desconecte completamente el producto mediante el interruptor o desenchufándolo durante periodos en que no se use.



Contacto

Fuera de EE. UU., Reino Unido, Irlanda, Francia, Alemania, México o Benelux póngase en contacto con su distribuidor para solicitar asistencia o devolver un producto. Visite www.chauvetdj.com para información de contacto.

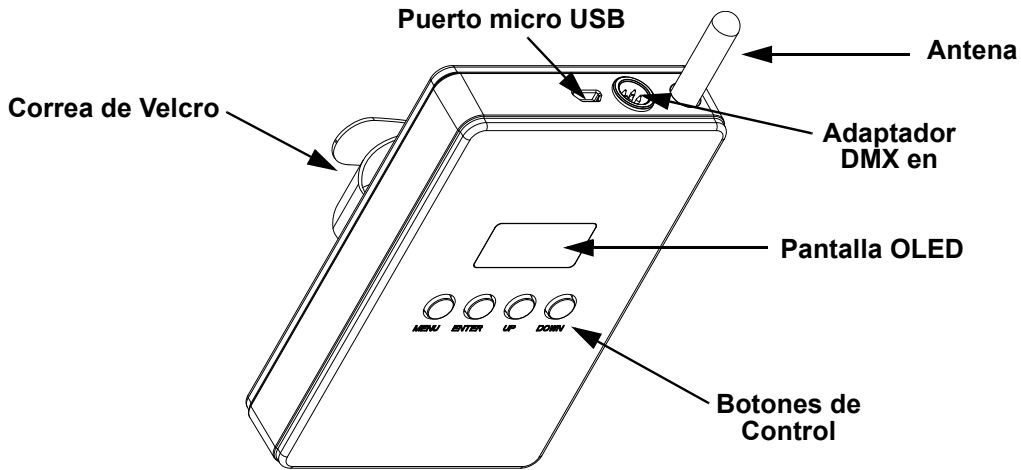
Qué va incluido

- FlareCON Air 2
- Fuente de Alimentación Externa
- Cable USB
- Adaptador DMX
- Guía de referencia rápida

Para empezar

Desembale su FlareCON Air 2 y asegúrese de que ha recibido todas las partes en buen estado. Si la caja o los componentes parecen dañados, notifíquese inmediatamente al transportista, no a Chauvet.

Visión general del producto



Para encender o apagar el producto, mantenga presionados los botones <MENU> + <ENTER> durante 3 segundos.

Corriente alterna

Este producto tiene un cargador externo con detección automática que puede funcionar con un rango de tensión de entrada de 100 a 240 VCA, 50/60 Hz.



Para evitar un desgaste innecesario y alargar su vida útil, desconecte completamente el producto mediante el interruptor o desenchufándolo durante periodos en que no se use.

Alimentación por batería

El FlareCON Air 2 viene con una batería de litio recargable para un funcionamiento sin cables.

Cargar la batería

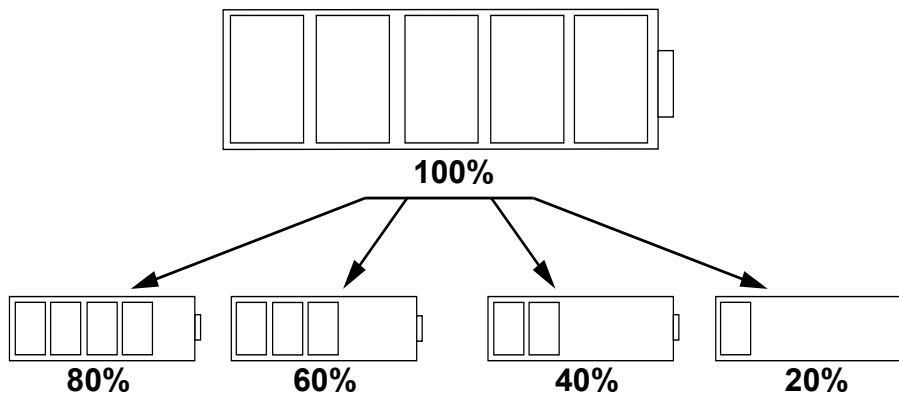
La batería se carga cada vez que el FlareCON Air 2 se enchufa en el cargador externo y el cargador está enchufado a la alimentación. Si el producto se enchufa y no está funcionando, asegúrese de que el producto esté apagado.



Cuando se utiliza el cargador, cargue el FlareCON Air 2 mientras la unidad está apagada.

Indicador de duración de la batería

Los indicadores en la pantalla de menú LED muestran cuánto tiempo de batería queda disponible. El dibujo inferior le da la clave para interpretar los indicadores de vida de la batería.



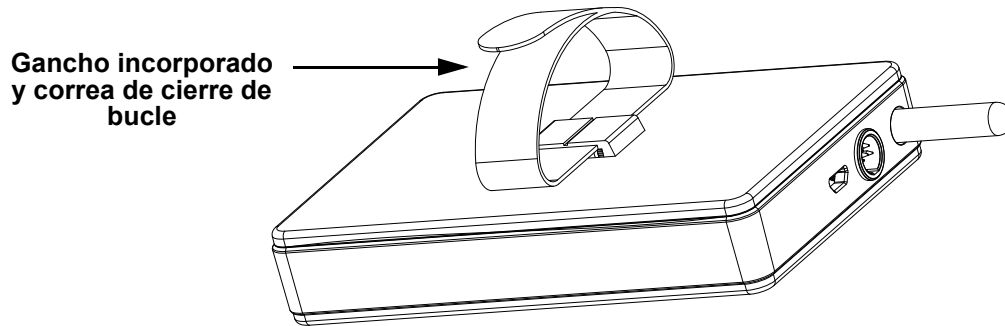
Duración de la batería

Máximo tiempo de funcionamiento (todos los colores encendidos)	Tiempo de Recarga
Hasta 8 horas	4 horas

Montaje

Antes de montar este producto, lea las [Notas de seguridad](#).

Diagrama de montaje



Descripción del panel de control

Botón	Función
<MENU>	Salte del menú o función actual
<UP>	Navega hacia arriba por la lista de menú y aumenta el valor numérico cuando está en una función
<DOWN>	Navega hacia abajo por la lista de menú y disminuye el valor numérico cuando está en una función
<ENTER>	Habilita el menú actualmente en pantalla o configura el valor seleccionado actualmente dentro de la función seleccionada

Mapa de menú

Modo	Niveles de programación	Descripción
Manual Channel	<CH01–16>	Selecciona manualmente un canal para la red D-Fi
Input Mode	<WIFI>	Configura el modo de entrada para la entrada de señal inalámbrica Wi-Fi™
	<DMX>	Configura el modo de entrada para la entrada de señal con cable DMX
Back Light	On	No se apaga
	10S	Se apaga después de 10 segundos
	20S	Se apaga después de 20 segundos
	30S	Se apaga después de 30 segundos
Information	Version	Muestra la versión de software instalada
	WIFI SSID <nombre Wi-Fi™>	Muestra el nombre de la red Wi-Fi™ actual (SSID)
	WIFI Channel <01–16>	Muestra el número de canal actual
Factory Reset	No	Restablece la configuración de fábrica
	Yes	

Usar el FlareCON Air 2

El FlareCON Air 2 funciona con lo siguiente:

- Smartphones y tabletas (dispositivos móviles) que ejecuten la aplicación FlareCON
- Luces compatibles con D-Fi
- Concentrador D-Fi
- Controladores DMX
- Luces DMX cuando se usa con un concentrador D-Fi o conectado directamente por medio de un cable DMX

La aplicación FlareCON es gratuita y está disponible en la Tienda Google™ Play o en Apple App Store.



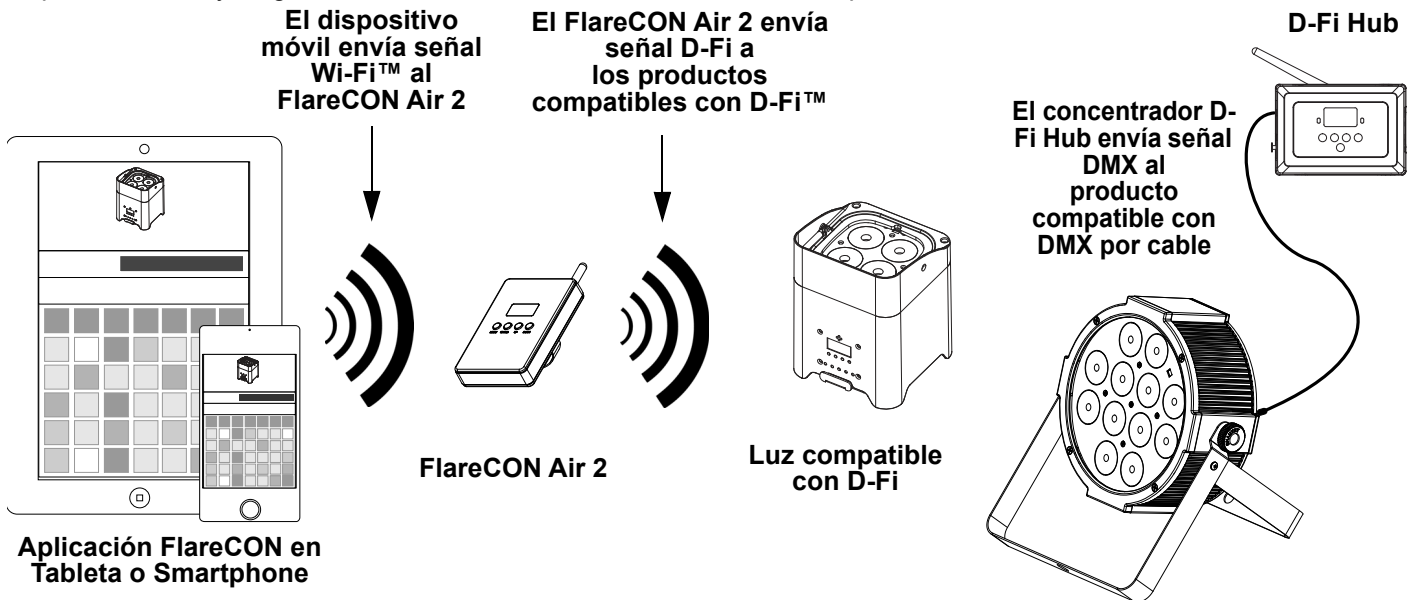
Asegúrese de conectar solo un dispositivo móvil al mismo tiempo.



Para encender o apagar el producto, mantenga presionados los botones <MENU> + <ENTER> durante 3 segundos.

Señales Wireless D-Fi

Cuando el FlareCON Air 2 se usa con un dispositivo móvil, crea una red inalámbrica (Wi-Fi™) para recibir las señales del dispositivo móvil, y luego envía señales D-Fi sin cables a las luces compatibles con D-Fi o a un concentrador D-Fi Hub.



Asegúrese de conectar solo un smartphone o tableta al mismo tiempo.

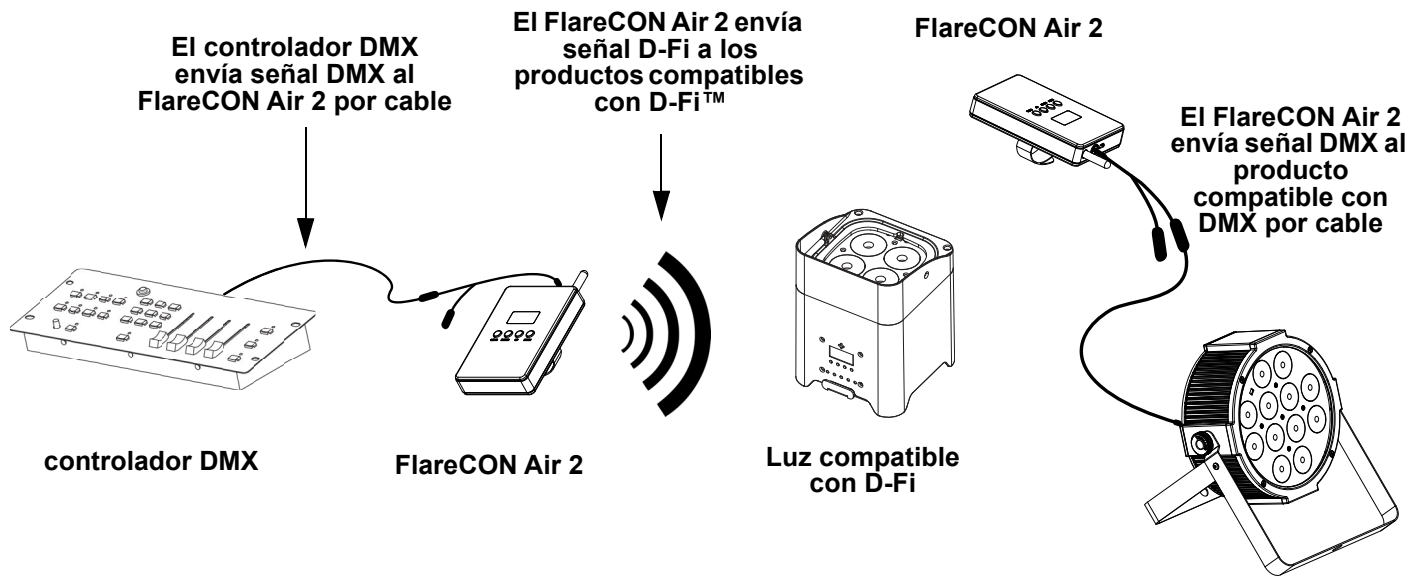


- La tableta o smartphone que ejecuten la aplicación FlareCON deben estar como máximo a 200 pies (60 m) del FlareCON Air 2.
- Instale siempre el FlareCON Air 2 a 400 pies (120 m) como máximo de los productos que reciben D-Fi. El FlareCON Air 2 funciona mejor si no se interponen obstáculos ante los productos D-Fi.

Señales DMX desde un Controlador a Través de Dable

Cuando FlareCON Air 2 se usa con un controlador DMX, el FlareCON Air 2 recibe señales del controlador a través de un cable DMX. Entonces, el FlareCON Air 2 envía:

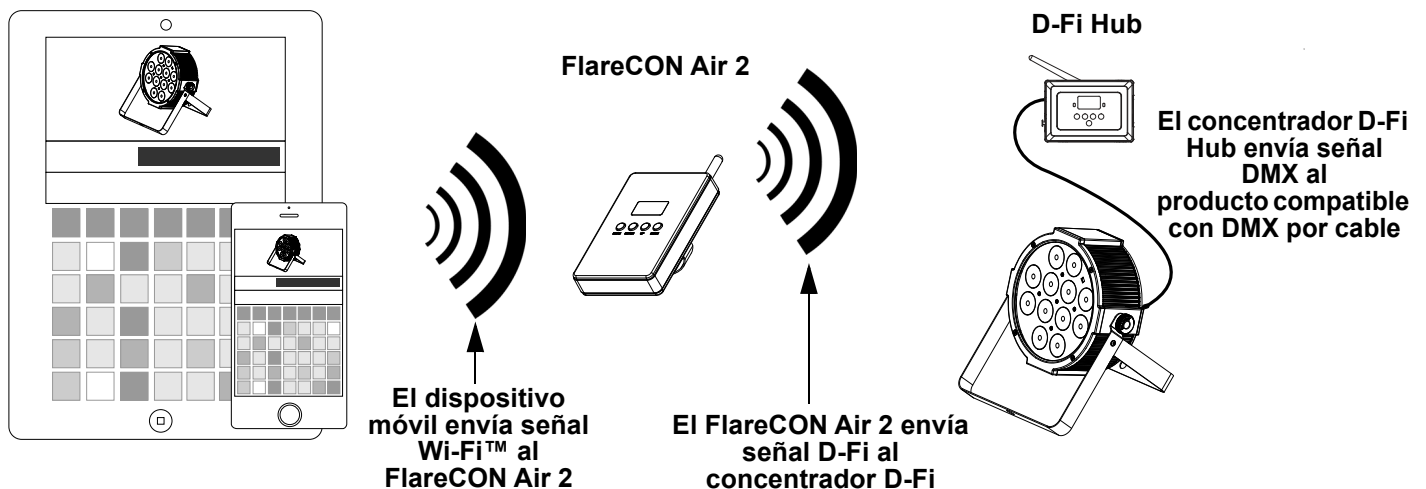
- Señales D-Fi inalámbricas a las luces compatibles con D-Fi
- Señales DMX a través de un cable DMX conectado a cualquier producto compatible con DMX



Instale siempre el FlareCON Air 2 a 400 pies (120 m) como máximo de los productos que reciben D-Fi. El FlareCON Air 2 funciona mejor si no se interponen obstáculos ante los productos D-Fi.

Control sin Cables con Productos DMX

Cuando utilice el FlareCON Air 2 para enviar señales inalámbricas D-Fi mientras usa luces DMX sin capacidad D-Fi, el FlareCON Air 2 se debe usar con un concentrador D-Fi Hub. El FlareCON Air 2 crea una red inalámbrica (Wi-Fi™) para recibir las señales desde el dispositivo móvil, y envía señales D-Fi inalámbricas al concentrador D-Fi Hub. El concentrador D-Fi Hub convierte entonces las señales a DMX y envía esas señales a través de un cable DMX a las luces DMX.



Asegúrese de conectar solo un smartphone o tableta al mismo tiempo.



- La tableta o smartphone que ejecuten la aplicación FlareCON deben estar como máximo a 200 pies (60 m) del FlareCON Air 2.
- Instale siempre el FlareCON Air 2 a 400 pies (120 m) como máximo de los productos que reciben D-Fi. El FlareCON Air 2 funciona mejor si no se interponen obstáculos ante los productos D-Fi.

Configurar Productos con FlareCON Air 2

El FlareCON Air 2 permite varias configuraciones diferentes con productos D-Fi y DMX. Consulte los ejemplos de las secciones [Usar el FlareCON Air 2](#) para los requisitos de configuración en su instalación.

Para configurar sus productos con FlareCON Air 2, tendrá que llevar a cabo los siguientes pasos:

1. Conecte el FlareCON Air 2 a la alimentación.
2. Active la Wi-Fi™ en su dispositivo móvil.



Si todavía no lo ha hecho, descargue e instale la aplicación FlareCON en su dispositivo móvil.

3. Diríjase a la configuración Wi-Fi™ de su dispositivo móvil y conéctese a la Wi-Fi™ (SSID) por defecto del FlareCON Air 2. Consulte [Conectar a un Dispositivo Móvil](#) para ver las instrucciones.
4. Para evitar interferencias con otras señales inalámbricas en la zona circundante, seleccione el canal Wi-Fi™ <CH01> al <CH16> en el FlareCON Air 2. Vea [Seleccionar un Canal](#).
5. Configure sus productos para recibir una entrada de señal desde el FlareCON Air 2. Para más detalles, consulte los manuales de usuario de los productos de su instalación.
 - Configure los productos para recibir señales en el mismo canal que configuró el FlareCON Air 2 en el paso anterior.
 - Configure los productos en la personalidad DMX más básica.



Asegúrese de que la dirección DMX de inicio está configurada en 001.

6. Seleccione si el FlareCON Air 2 recibe señal inalámbrica o por cable DMX. Vea [Seleccionar un Modo de Entrada de Señal](#).



Para productos DMX, asegúrese de usar un cable DMX para conectar desde la salida DMX del producto que transmite la señal DMX (dependiendo de su instalación, FlareCON Air 2 o concentrador D-Fi) a la entrada DMX del producto que recibe la señal DMX.

7. Una vez estén correctamente conectados sus productos al FlareCON Air 2 y que el FlareCON Air 2 esté correctamente conectado a la aplicación FlareCON, abra la aplicación FlareCON en su dispositivo móvil. Para ver detalles, consulte el apartado [Conectar a un Dispositivo Móvil](#).

Utilizando su dispositivo móvil, ahora puede seleccionar los colores que emiten las luces. Consulte el apartado [Configurar el FlareCON Air 2](#) de más abajo para detalles sobre configurar productos con FlareCON Air 2.



Para información detallada sobre el funcionamiento de la aplicación FlareCON, descargue el Manual de Usuario del sitio web de Chauvet <http://www.chauvetdj.com/>.

Configurar el FlareCON Air 2

Configurar el FlareCON Air 2 implica seleccionar el canal operativo y el modo de entrada: Wi-Fi™ para hacerlo funcionar desde un dispositivo móvil o DMX para conectarlo a un controlador.

Seleccionar un Canal

El canal Wi-Fi™ se puede seleccionar manual. Para seleccionar un canal operativo, haga lo siguiente:

1. Conecte el FlareCON Air 2 a la alimentación.
2. Presione <MENU> para acceder al menú principal.
3. Utilice <UP> o <DOWN> hasta que se seleccione **Manual Channel** en la pantalla.
4. Presione <ENTER>.
5. Utilice <UP> o <DOWN> para desplazarse por los números de canal <CH01> a <CH16>.
6. Pulse <ENTER> para seleccionar el número de canal. Utilice este mismo canal para configurar el canal de recepción de los demás productos.

Seleccionar un Modo de Entrada de Señal

Seleccionar el modo de entrada de señal determina cómo recibe el FlareCON Air 2 las señales de control, tanto en modo Wi-Fi™ desde la aplicación FlareCON como en modo DMX desde un controlador DMX o desde otra luz.

Para configurar el modo de entrada de señal, haga lo siguiente:

1. Conecte el FlareCON Air 2 a la alimentación.
2. Presione <MENU> para acceder al menú principal.
3. Utilice <UP> o <DOWN> hasta que se seleccione **Input Mode** en la pantalla.
4. Presione <ENTER>.
5. Utilice <UP> o <DOWN> para seleccionar el modo <WIFI> o <DMX>.
6. Presione <ENTER> para establecer el modo de entrada deseado.

Conectar a un Dispositivo Móvil

Conecte a un dispositivo móvil solo después de haber configurado el FlareCON Air 2 y de haber instalado la aplicación FlareCON en el dispositivo móvil.

Para completar la conexión a sus dispositivos móviles, necesitará hacer lo siguiente:

1. Localice el nombre de la Wi-Fi™ predeterminada del FlareCON Air 2. Vea [Localizar el nombre de la Wi-Fi™ del FlareCON Air 2](#).
2. Utilizando el nombre de la red Wi-Fi™ identificado en el paso anterior, seleccione esta red Wi-Fi™ en su dispositivo móvil. Vea [Conectar a la Wi-Fi™ del FlareCON Air 2](#).

Quando use un smartphone o tableta con sistemas operativos Android™, podría ser útil ajustar la configuración Wi-Fi™ de su dispositivo móvil para evitar perder la conexión Wi-Fi™ con el FlareCON Air 2. Dependiendo del modelo concreto de su dispositivo móvil, podría variar la denominación exacta de los apartados de configuración. Realice una o las dos opciones siguientes:

1. Abra la configuración Wi-Fi™ de su smartphone o tableta.
2. Deseleccione la funcionalidad que enciende la búsqueda de Wi-Fi™.
3. Deseleccione la funcionalidad que cambia automáticamente de red Wi-Fi™.
4. Abra la configuración Wi-Fi™ de su smartphone o tableta.
5. Seleccione el administrador de aplicaciones.
6. Seleccione TODAS.
7. Desplácese a Wi-Fi™ y selecciónelo para borrar los datos y limpiar la caché.
8. Desplácese a Wi-Fi™ Direct Share y selecciónelo para borrar los datos y limpiar la caché.

Para más información sobre las opciones de configuración Wi-Fi™ de su smartphone o tableta, vea la documentación que acompaña a su dispositivo móvil.



Chauvet recomienda tener las luces configuradas y listas para responder antes de conectar un dispositivo móvil.

Localizar el nombre de la Wi-Fi™ del FlareCON Air 2

Para encontrar el nombre de la Wi-Fi™ del FlareCON Air 2, haga lo siguiente:

1. Conecte el FlareCON Air 2 a la alimentación.
2. Asegúrese de que está seleccionado un canal (vea [Seleccionar un Canal](#)) y de que el modo de entrada está configurado en WIFI (vea [Seleccionar un Modo de Entrada de Señal](#)).
3. Presione <MENU> para acceder al menú principal.
4. Utilizar <UP> o <DOWN> hasta que se seleccione **Information** en la pantalla.
5. Presione <ENTER>.
6. Utilice <UP> o <DOWN> para que aparezca el nombre y número de canal Wi-Fi™ actual. Utilice este nombre (SSID) Wi-Fi™ predeterminado del FlareCON Air 2 para seleccionar la Wi-Fi™ en sus dispositivos móviles.
7. Presione <MENU> para salir de la función del menú Información.

Conectar a la Wi-Fi™ del FlareCON Air 2

Para conectar un dispositivo móvil a la Wi-Fi™ del FlareCON Air 2, haga lo siguiente:

1. Conecte el FlareCON Air 2 a la alimentación.
2. Asegúrese de que el modo de entrada está configurado en **WIFI**.
3. Para conectar su dispositivo móvil a la Wi-Fi™ del FlareCON, utilice la función Configuración del dispositivo móvil para seleccionar la red Wi-Fi™ que aparece en la pantalla de información del FlareCON Air 2.
4. Abra la aplicación FlareCON. El SSID aparece en el centro de la pantalla.



Una vez conectado, el nombre predeterminado de la Wi-Fi™ del FlareCON Air 2 se puede cambiar con la aplicación FlareCON. Consulte el Manual de Usuario de FlareCON para más información. Los manuales de usuario están disponibles en <http://www.chauvetdj.com/>.

Conectar a un Controlador DMX

Para configurar un sistema que utiliza un controlador DMX conectado al FlareCON Air 2 para controlar las luces (vea [Señales DMX desde un Controlador a Través de Dable](#)), haga lo siguiente:

1. Configure el FlareCON Air 2 para entrada DMX. Vea [Seleccionar un Modo de Entrada de Señal](#).
2. Conecte un cable DMX desde la salida DMX del controlador al adaptador de entrada DMX del FlareCON Air 2.
3. Configure el resto de productos. Vea [Configurar Productos con FlareCON Air 2](#).

Para obtener información sobre el manejo de un controlador DMX, consulte el Manual de usuario del controlador. Los manuales de usuario para los controladores CHAUVET están disponibles desde el sitio web de Chauvet <http://www.chauvetdj.com/>.

Controlar las Luces DMX con el Concentrador D-Fi Hub

El FlareCON Air 2 puede controlar sin cables luces DMX cuando se usa con un concentrador D-Fi Hub.

Para configurar un sistema que utilice un FlareCON Air 2 y un concentrador D-Fi Hub para controlar luces DMX sin cables, haga lo siguiente:

1. Configure los productos según se indica en [Configurar Productos con FlareCON Air 2](#) utilizando un concentrador D-Fi Hub como uno de los productos receptores inalámbricos.
2. Conecte un cable DMX desde la salida DMX del concentrador D-Fi Hub a la entrada DMX del producto DMX.

Se puede encontrar información sobre cómo usar el concentrador D-Fi Hub en su manual del sitio web de Chauvet <http://www.chauvetdj.com/>.

A propos de ce manuel

Le Manuel de Référence (MR) du FlareCON Air 2 reprend des informations de base sur cet appareil notamment en matière de montage, d'options de menu et de valeurs DMX. Veuillez télécharger le manuel d'utilisation à partir du site internet www.chauvetdj.com pour plus de détails.

Clause de non Responsabilité

Les informations et caractéristiques contenues dans ce MR sont sujettes à modification sans préavis.

GARANTIE LIMITÉE

VEUILLEZ VISITER NOTRE SITE INTERNET POUR CONSULTER LES MODALITÉS D'ENREGISTREMENT DE LA GARANTIE ET LES CONDITIONS GÉNÉRALES COMPLÈTES.

Pour les clients aux États-Unis et au Mexique: www.chauvetlighting.com/warranty-registration.

Pour les clients du Royaume-Uni, de la République d'Irlande, de la Belgique, des Pays-Bas, du Luxembourg, de la France et de l'Allemagne: www.chauvetlighting.eu/warranty-registration.

Chauvet garantit que cet appareil est exempt de défauts de matériaux et de fabrication dans des conditions normales d'utilisation, pendant la période spécifiée dans la garantie limitée complète consultable sur notre site Internet et sous réserve des exclusions et limitations qui y sont énoncées. Cette garantie ne s'applique qu'à l'acheteur initial du produit et n'est pas transférable. Pour exercer les droits prévus par cette garantie, vous devez fournir une preuve d'achat sous la forme d'un reçu de vente original d'un revendeur autorisé qui indique le nom du produit et la date d'achat. IL N'EXISTE AUCUNE AUTRE GARANTIE EXPRESSE OU IMPLICITE. Cette garantie vous confère des droits légaux spécifique. Vous pouvez également bénéficier d'autres droits qui varient selon les états et les pays. Cette garantie n'est valable qu'aux États-Unis, au Royaume-Uni, en République d'Irlande, en Belgique, aux Pays-Bas, au Luxembourg, en France, en Allemagne et au Mexique. Pour connaître les conditions de garantie dans d'autres pays, veuillez consulter votre revendeur local.

DECLARATION FCC

Cet appareil a été testé conforme aux limites d'un appareil numérique de classe B tel que prévu à la section 15 du règlement de la FCC. Ces limites sont conçues pour fournir une protection raisonnable contre les interférences nuisibles dans une installation résidentielle. Cet appareil génère, utilise et peut émettre de l'énergie radioélectrique et, s'il n'est pas installé et utilisé conformément aux instructions, peut causer des interférences nuisibles pour les communications radio. Il n'y a cependant aucune garantie d'absence d'interférences avec certaines installations. Dans l'éventualité que cet appareil provoque des interférences nuisibles à la réception de la radio ou de la télévision, ce qui peut être déterminé en éteignant et en rallumant l'appareil, l'utilisateur est invité à essayer de corriger les interférences en utilisant une ou plusieurs des mesures suivantes :

1. Réorienter ou déplacer l'antenne de réception.
2. Augmenter la distance entre l'appareil et le récepteur.
3. Brancher l'appareil sur une prise électrique d'un circuit différent de celui sur lequel le récepteur est branché.
4. Consulter le revendeur ou un technicien expérimenté en radio/télévision pour obtenir de l'aide.

Précaution: Tout changement ou modification non expressément approuvé par l'autorité responsable de la conformité pourrait annuler le droit de l'utilisateur à utiliser l'équipement. Cet appareil est conforme à la partie 15, sous-partie B du règlement de la FCC. L'utilisation est soumise aux deux conditions suivantes: (1) Cet appareil ne doit pas causer d'interférences nuisibles, and (2) cet appareil doit accepter toutes les interférences reçues, y compris celles pouvant entraîner un fonctionnement indésirable.

Consignes de Sécurité

Ces consignes de sécurité contiennent des informations importantes en matière d'installation, d'utilisation et d'entretien.



- Cet appareil n'est pas adapté pour une installation permanente.
- Cet appareil DOIT être relié à un circuit mis à la terre et protégé.
- Toujours débrancher et éteindre l'appareil de la source d'alimentation et éteindre l'appareil avant de le nettoyer.
- NE PAS exposer directement les yeux à la source de lumière lorsque le produit est allumé.
- Veillez à ce que le cordon d'alimentation ne soit jamais pincé ou endommagé.
- Ne débranchez jamais cet appareil en tirant sur le cordon d'alimentation.
- NE PAS laisser de produit inflammable à proximité de l'appareil lorsque celui-ci fonctionne.
- NE PAS toucher au boîtier de l'appareil lorsqu'il est en fonctionnement, celui-ci pouvant être très chaud.



- La tension de la source d'énergie à laquelle est connecté cet appareil doit être dans la plage indiquée sur l'étiquette ou sur le panneau arrière de l'appareil.
- Cet appareil doit uniquement être utilisé en intérieur! (IP20) Afin d'éviter tout risque d'incendie ou de décharge électrique, veillez à n'exposer cet appareil ni à la pluie ni à l'humidité.
- Assurez-vous qu'aucune fente de ventilation de l'appareil n'est obstruée.
- Ne connectez jamais cet appareil à un variateur ou un rhéostat.
- Utilisez EXCLUSIVEMENT le support de suspension/fixation pour soulever cet appareil.
- La température ambiante maximale est de 40 °C (104 °F). Ne faites pas fonctionner cet appareil à des températures plus élevées.
- En cas de sérieux problèmes de fonctionnement, arrêtez l'appareil immédiatement.
- NE PAS ouvrir cet appareil. Il ne contient aucune pièce réparable par l'utilisateur.
- Durant les périodes de non-utilisation, pour éviter tout usure inutile et pour prolonger la durée de vie, éteignez complètement l'appareil en le débranchant ou en coupant le disjoncteur.

Nous contacter

En dehors des États-Unis, du Royaume-Uni, de l'Irlande, de France, de l'Allemagne, du Mexique ou du Benelux, contactez votre fournisseur si vous avez besoin d'assistance ou pour retourner un appareil. Veuillez consulter le site internet www.chauvetdj.com pour obtenir des informations pour nous contacter.

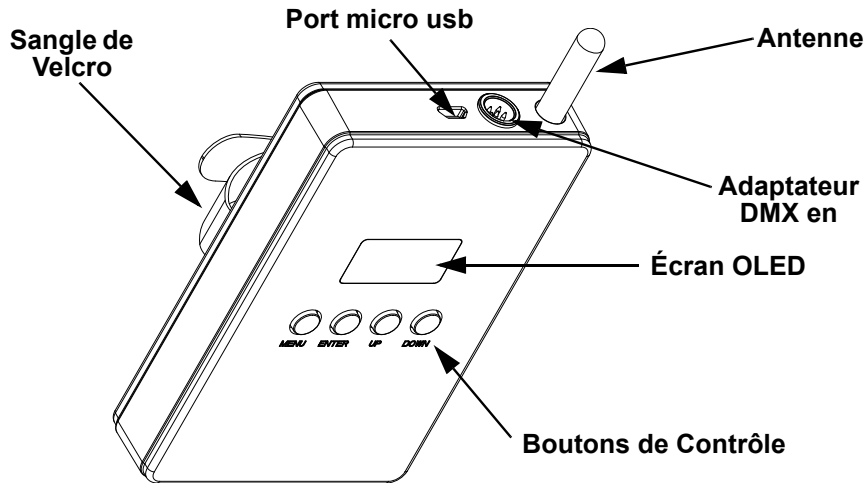
Contenu

- FlareCON Air 2
- Alimentation Externe
- Cable USB
- Adaptateur DMX
- Manuel de référence

Préalable

Déballez votre FlareCON Air 2 et assurez-vous que vous avez reçu toutes les pièces en bon état. Si la boîte et/ou son contenu semble endommagés, contactez immédiatement le transporteur, et non pas Chauvet.

Vue d'ensemble du produit



Pour allumer ou éteindre le produit, maintenez les touches <MENU> + <ENTER> enfoncées pendant 3 secondes.

Alimentation CA

Cet appareil est doté d'un chargeur externe qui peut prendre en charge n'importe quelle tension d'entrée comprise entre 100 et 240 VCA, 50/60 Hz.



Durant les périodes de non-utilisation, pour éviter toute usure inutile et pour prolonger la durée de vie, éteignez complètement l'appareil en le débranchant ou en coupant le disjoncteur.

Alimentation par batterie

Le FlareCON Air 2 est livré avec une batterie au lithium rechargeable permettant un fonctionnement sans câble.

Chargement de la batterie

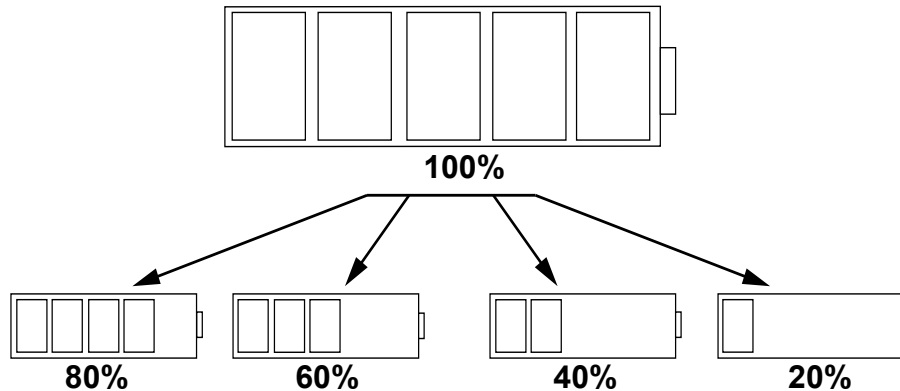
La batterie se recharge dès que l'appareil est branché au chargeur externe et que le chargeur est branché sur une source d'alimentation. Si l'appareil est branché mais qu'il n'est pas utilisé, assurez-vous que le produit est éteint.



Lorsque vous utilisez le chargeur, charger l'FlareCON Air 2 lorsque l'appareil est hors tension.

Indicateur de durée de vie de la batterie

Les indicateurs du menu sur l'affichage LED montrent la durée de vie restante de la batterie. Le dessin ci-dessous donne la signification des indicateurs de la durée de vie de la batterie.



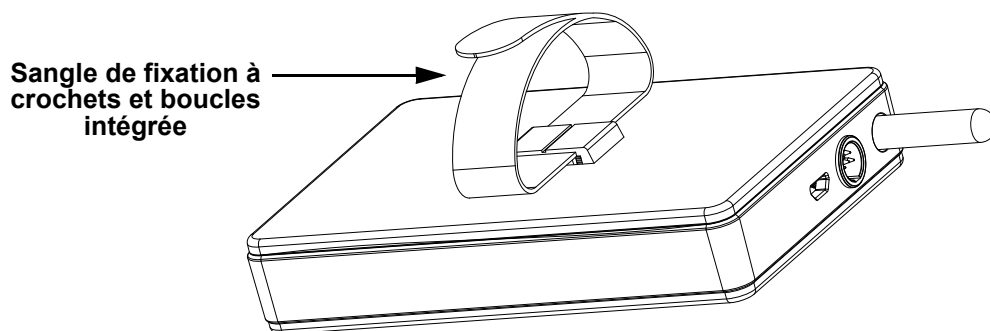
Durée de la batterie

Autonomie maximale (avec toutes les couleurs)	Temps de recharge
Jusqu'à 8 heures	4 heures

Montage

Avant de monter cet appareil, veuillez lire les [Consignes de Sécurité](#).

Schéma de montage



Description du panneau de commande

Bouton	Fonction
<MENU>	Permet de sortir du menu ou de la fonction en cours
<UP>	Permet de naviguer vers le haut dans la liste du menu et d'incrémenter une valeur numérique dans une fonction
<DOWN>	Permet de naviguer vers le bas dans la liste du menu et de décrémenter une valeur numérique dans une fonction
<ENTER>	Active l'entrée de menu actuellement affichée ou confirme la valeur actuellement sélectionnée pour la fonction en cours de sélection

Menu carte

Mode	Niveaux de programmation	Description
Manual Channel	<CH01-16>	Permet de sélectionner manuellement un canal sur le réseau D-Fi
Input Mode	<WIFI>	Permet de définir le mode d'entrée de signal sans fil par Wi-Fi™
	<DMX>	Permet de définir le mode d'entrée de signal par câble DMX
Back Light	On	Ne s'éteint pas
	10S	S'éteint après 10 secondes
	20S	S'éteint après 20 secondes
	30S	S'éteint après 30 secondes
Information	Version	Affiche la version du logiciel installé
	WIFI SSID <nom Wi-Fi™ >	Affiche le nom actuel du réseau Wi-Fi™ (SSID)
	WIFI Channel <01-16>	Affiche le numéro du canal actuel
Factory Reset	No	Réinitialisation aux paramètres d'usine
	Yes	

Utilisation du FlareCON Air 2

Le FlareCON Air 2 fonctionne avec les appareils suivants:

- Smartphones et tablettes (appareils mobiles) sur lesquels est installée l'application FlareCON
- Éclairages compatibles D-Fi
- D-Fi Hub
- Contrôleurs DMX
- Éclairages DMX lorsqu'ils sont utilisés avec un concentrateur D-Fi ou connectés directement avec un câble DMX

L'application FlareCON est gratuite et disponible sur le Google™ Play Store ou l'iTunes® Store.



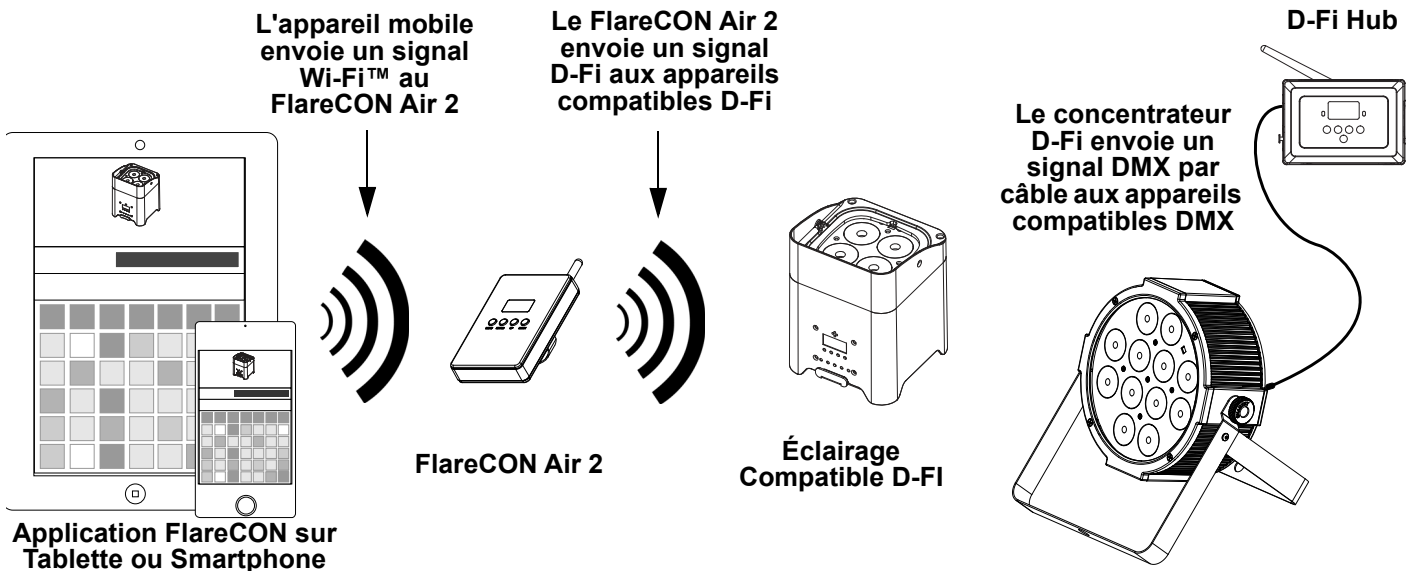
Assurez-vous de ne connecter qu'un seul appareil mobile à la fois.



Pour allumer ou éteindre le produit, maintenez les touches <MENU> + <ENTER> enfoncées pendant 3 secondes.

Signaux sans Fil D-Fi

Lorsqu'il est utilisé en conjonction avec un appareil mobile, le FlareCON Air 2 crée un réseau sans fil (Wi-Fi™) afin de recevoir les signaux de l'appareil mobile et envoie en sans fil, des signaux D-Fi aux éclairages compatibles D-Fi ou à un concentrateur D-Fi Hub.



Assurez-vous de ne connecter qu'un seul appareil mobile (smartphone ou tablette) à la fois.

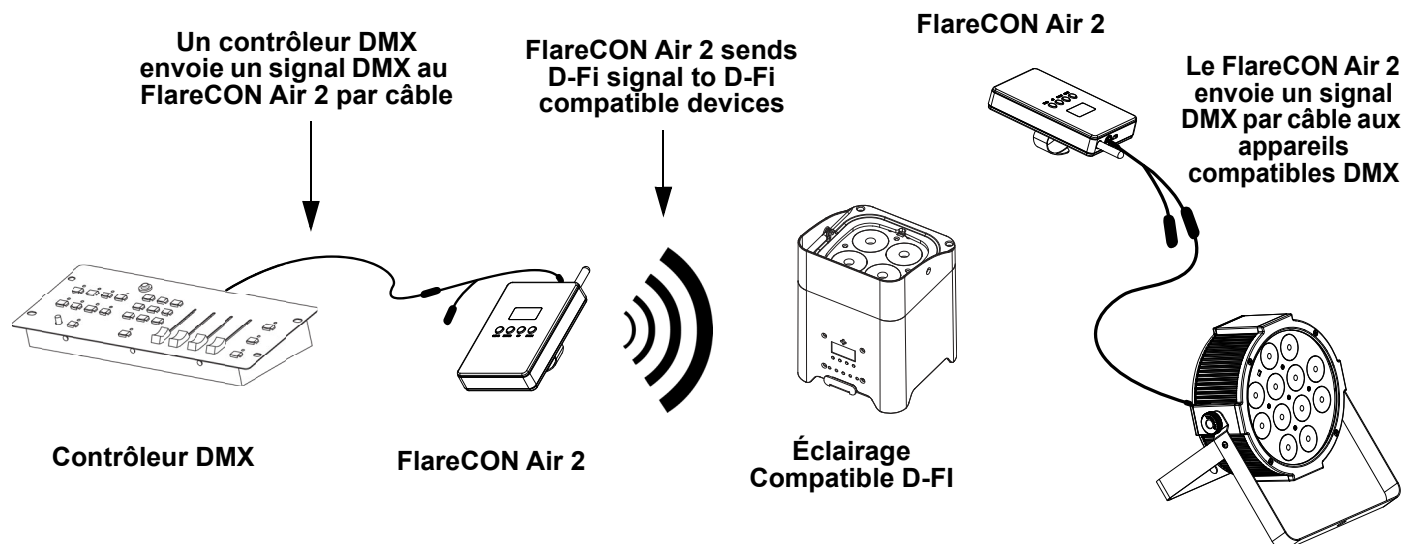


- Toute tablette ou smartphone sur lequel l'application FlareCON a été démarrée doit se trouver dans un rayon de 60 mètres (200 pieds) du FlareCON Air 2.
- Assurez-vous de toujours installer le FlareCON Air 2 dans un rayon de 120 mètres (400 pieds) des appareils recevant le signal D-Fi. Vous obtiendrez de meilleurs résultats lorsque le FlareCON Air 2 est dans le champ de visibilité des appareils D-Fi.

Signaux DMX arrivant par Câble depuis un Contrôleur

Lorsque le FlareCON Air 2 est utilisé avec un contrôleur DMX, il reçoit des signaux du contrôleur via un câble DMX. Le FlareCON Air 2 envoie alors :

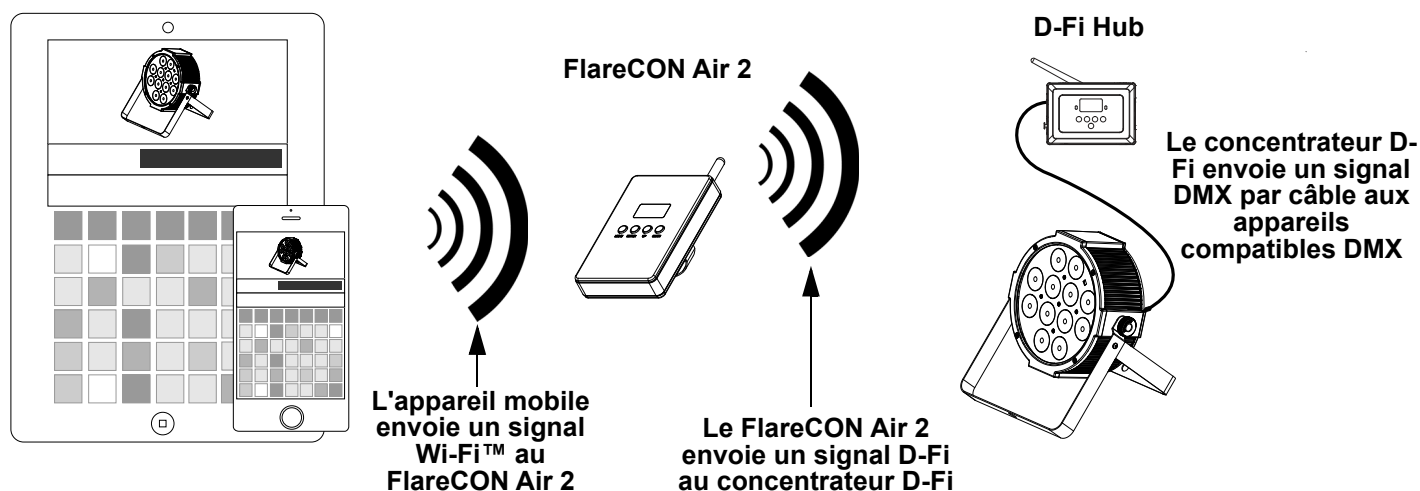
- Des signaux D-Fi en sans fil aux éclairages compatibles D-Fi
- Signaux DMX via un câble vers n'importe quel appareil compatible DMX



Assurez-vous de toujours installer le FlareCON Air 2 dans un rayon de 120 mètres (400 pieds) des appareils recevant le signal D-Fi. Vous obtiendrez de meilleurs résultats lorsque le FlareCON Air 2 est dans le champs de visibilité des appareils D-Fi.

Contrôle sans Fil avec des Appareils DMX

Si le FlareCON Air 2 est utilisé pour envoyer sans fil des signaux D-Fi en conjonction avec des éclairages DMX non compatibles D-Fi, il est nécessaire de relier le FlareCON Air 2 à un concentrateur D-Fi Hub. Le FlareCON Air 2 crée un réseau sans fil (Wi-Fi™) afin de recevoir les signaux d'un appareil mobile et envoie sans fil des signaux D-Fi au concentrateur D-Fi Hub. Le concentrateur D-Fi Hub convertit alors ces signaux en DMX et les envoie par câble DMX aux éclairages DMX.



Assurez-vous de ne connecter qu'un seul appareil mobile (smartphone ou tablette) à la fois.



- Toute tablette ou smartphone sur lequel l'application FlareCON a été démarrée doit se trouver dans un rayon de 60 mètres (200 pieds) du FlareCON Air 2.
- vous de toujours installer le FlareCON Air 2 dans un rayon de 120 mètres (400 pieds) des appareils recevant le signal D-Fi. Vous obtiendrez de meilleurs résultats lorsque le FlareCON Air 2 est dans le champs de visibilité des appareils D-Fi.

Configuration des Appareils pour le Fonctionnement avec le FlareCON Air 2

Le FlareCON Air 2 permet d'effectuer plusieurs configuration différentes avec des appareils fonctionnant en D-Fi et DMX. Référez-vous aux exemples indiqués dans les sections [Utilisation du FlareCON Air 2](#) pour les besoins en configuration de votre installation.

Pour configurer vos appareils pour fonctionner avec le FlareCON Air 2, vous devez effectuer les opérations suivantes:

1. Mettez le FlareCON Air 2 sous tension.
2. Activez le Wi-Fi™ sur vos appareils mobiles.



Si vous ne l'avez pas déjà fait, téléchargez et installez l'application FlareCON sur votre appareil mobile.

3. Rendez-vous dans les paramètres Wi-Fi™ de votre appareil mobile et connectez-vous au réseau Wi-Fi™ (SSID) par défaut du FlareCON Air 2. Vous pouvez consulter les instructions dans la section [Connexion à un Appareil Mobile](#).
4. Pour éviter toute interférence avec les autres signaux sans fil à proximité, sélectionnez manuellement un canal Wi-Fi™ entre <CH01> et <CH16> sur le FlareCON Air 2. Pour cela, consultez la section [Sélection d'un Canal](#).
5. Paramétrez vos appareils pour la réception d'un signal en entrée en provenance du FlareCON Air 2. Pour plus de détails, référez vous aux manuels d'utilisation des appareils de votre installation.
 - Paramétrez les appareils pour la réception de signaux sur le même canal qui a été paramétré sur le FlareCON Air 2 à l'étape précédente.
 - Paramétrez les appareils sur leur personnalité DMX la plus basique.



Assurez-vous que l'adresse de départ DMX est paramétrée sur 001.

6. Déterminez si le FlareCON Air 2 doit recevoir des signaux sans fil ou via un câble DMX. Voir [Sélection d'un Mode d'Entrée de Signal](#).



Sur les appareils DMX, assurez-vous d'utiliser un câble DMX pour relier la sortie DMX de l'appareil qui émet le signal DMX (selon votre installation, le FlareCON Air 2 ou un concentrateur D-Fi) à l'entrée DMX de l'appareil DMX qui doit recevoir le signal DMX.

7. Une fois vos appareils correctement connectés au FlareCON Air 2 et le FlareCON Air 2 bien connecté à l'application FlareCON, ouvrez l'application sur votre appareil mobile. Pour plus de détails, veuillez vous référer à la section [Connexion à un Appareil Mobile](#).

En utilisant votre appareil mobile vous pouvez maintenant sélectionner les couleurs qui sont émises par vos éclairages. Consultez la section [Configuration du FlareCON Air 2](#) ci-dessous pour plus de détails sur la manière de paramétrer des appareils avec le FlareCON Air 2.



Pour obtenir des informations détaillées sur le fonctionnement de l'application FlareCON, vous pouvez télécharger le manuel de l'utilisateur depuis le site Internet de Chauvet <http://www.chauvetdj.com/>.

Configuration du FlareCON Air 2

Pour configurer le FlareCON Air 2 sélectionnez le canal à utiliser et le mode d'entrée : soit Wi-Fi™ si vous désirez le commander depuis un appareil mobile, soit DMX si vous optez pour un contrôleur DMX.

Sélection d'un Canal

Le canal Wi-Fi™ peut être sélectionné manuellement. Pour sélectionner un canal, procédez comme suit:

1. Mettez le FlareCON Air 2 sous tension.
2. Appuyez sur <MENU> pour accéder au menu principal.
3. Utilisez <UP> ou <DOWN> jusqu'à ce que **Manual Channel** soit sélectionné à l'écran.
4. Appuyez sur <ENTER>.
5. Utilisez les touches <UP> ou <DOWN> pour passer d'un numéro de canal à l'autre entre <CH01> et <CH16>.
6. Appuyez sur <ENTER> pour sélectionner le numéro de canal. Utilisez le même canal pour paramétrer le canal de réception des autres appareils.

Sélection d'un Mode d'Entrée de Signal

La sélection du mode d'entrée du signal détermine la façon dont le FlareCON Air 2 reçoit les signaux de commande, soit en mode Wi-Fi™ depuis l'application FlareCON, soit en mode DMX depuis le contrôleur DMX ou d'un autre éclairage.

Pour définir le mode d'entrée du signal, faites comme suit:

1. Mettez le FlareCON Air 2 sous tension.
2. Appuyez sur <MENU> pour accéder au menu principal.
3. Utilisez <UP> ou <DOWN> jusqu'à ce que **Input Mode** soit sélectionné à l'écran.
4. Appuyez sur <ENTER>.
5. Utilisez les touches <UP> ou <DOWN> pour sélectionner les modes <WIFI> ou <DMX>.
6. Appuyez sur <ENTER> pour configurer le mode désiré.

Connexion à un Appareil Mobile

Ne procédez à la connexion à un appareil mobile qu'une fois le FlareCON Air 2 configuré et l'application FlareCON installée sur l'appareil mobile.

Pour effectuer la connexion à vos appareils mobiles, vous devez effectuer les étapes suivantes:

1. Trouvez le nom du réseau Wi-Fi™ par défaut du FlareCON Air 2. Pour cela, consultez la section [Trouver le Nom du Réseau Wi-Fi™ du FlareCON Air 2](#).
2. En utilisant le nom du réseau Wi-Fi™ identifié à l'étape précédente, sélectionnez le réseau Wi-Fi™ sur votre appareil mobile. Pour cela, consultez la section [Connexion au Réseau Wi-Fi™ du FlareCON Air 2](#).

Lors de l'utilisation d'un smartphone ou d'une tablette sous le système d'exploitation Android™, il peut être utile de régler les paramètres Wi-Fi™ sur votre appareil mobile pour éviter de perdre la connexion Wi-Fi™ à votre appareil FlareCON Air 2. Selon le modèle de votre appareil mobile, le libellé exact de vos options de paramètres peut varier. Faites une ou les deux actions suivantes:

1. Ouvrez les paramètres Wi-Fi™ de votre smartphone ou de votre tablette.
2. Désélectionnez la fonction qui active la recherche des réseaux Wi-Fi™.
3. Désélectionnez la fonction qui active automatiquement les réseaux Wi-Fi™.
4. Ouvrez les paramètres Wi-Fi™ de votre smartphone ou de votre tablette.
5. Sélectionnez le gestionnaire d'application.
6. Sélectionnez ALL (toutes).
7. Faites défiler jusqu'à l'entrée Wi-Fi™, sélectionnez-la et nettoyez les données et le cache.
8. Faites défiler jusqu'à l'entrée Wi-Fi™ Direct Share, sélectionnez-la et nettoyez les données et le cache.

Pour plus d'informations sur les options de paramètres Wi-Fi™ de votre smartphone ou de votre tablette, veuillez consulter la documentation livrée avec votre appareil mobile.



Chauvet recommande de configurer les éclairages et de faire en sorte qu'ils soient prêts à répondre avant de les connecter à un appareil mobile.

Trouver le Nom du Réseau Wi-Fi™ du FlareCON Air 2

Pour trouver le nom du réseau Wi-Fi™ du FlareCON Air 2, faites comme suit:

1. Mettez le FlareCON Air 2 sous tension.
2. Assurez-vous qu'un canal est sélectionné (cf [Sélection d'un Canal](#)) et que le mode d'entrée est paramétré sur WIFI (cf [Sélection d'un Mode d'Entrée de Signal](#)).
3. Appuyez sur <MENU> pour accéder au menu principal.
4. Utilisez <UP> ou <DOWN> jusqu'à ce que **Information** soit sélectionné à l'écran.
5. Appuyez sur <ENTER>.
6. Utilisez les touches <UP> ou <DOWN> pour afficher le nom et le numéro de canal du réseau Wi-Fi™ actuel. Utilisez ce nom de réseau Wi-Fi™ (SSID) du FlareCON Air 2 par défaut pour sélectionner le réseau Wi-Fi™ sur vos appareils mobiles.
7. Appuyez sur <MENU> pour sortir de la fonction de menu Information.

Connexion au Réseau Wi-Fi™ du FlareCON Air 2

Pour connecter un appareil mobile au réseau Wi-Fi™ du FlareCON Air 2, faites comme suit:

1. Mettez le FlareCON Air 2 sous tension.
2. Veillez à ce que le mode d'entrée soit paramétré sur **WIFI**.
3. Pour connecter votre appareil mobile au réseau Wi-Fi™ du FlareCON Air 2, utilisez la fonction Paramètres de l'appareil mobile pour sélectionner le réseau Wi-Fi™ affiché dans l'écran d'information du FlareCON Air 2.
4. Ouvrez l'application FlareCON. Le SSID s'affiche au centre de l'écran.

 **Une fois la connexion établie, il est possible de modifier le nom par défaut du réseau Wi-Fi™ du FlareCON Air 2 dans l'application FlareCON. Consultez le manuel de l'utilisateur du FlareCON pour plus d'informations. Les manuels d'utilisation sont disponibles à l'adresse <http://www.chauvetdj.com/>.**

Connexion à un Contrôleur DMX

Pour configurer un système utilisant un contrôleur DMX connecté au FlareCON Air 2 pour contrôler des éclairages (cf [Signaux DMX arrivant par Câble depuis un Contrôleur](#)), procédez comme suit:

1. Paramétrez le FlareCON Air 2 en entrée DMX. Voir [Sélection d'un Mode d'Entrée de Signal](#).
2. Connectez un câble DMX de la sortie DMX du contrôleur à l'entrée DMX du FlareCON Air 2.
3. Paramétrez les autres appareils. Voir [Configuration des Appareils pour le Fonctionnement avec le FlareCON Air 2](#).

Pour plus d'informations sur le fonctionnement du contrôleur DMX, veuillez consulter son manuel d'utilisation. Les manuels d'utilisation des contrôleurs CHAUVET sont disponibles sur le site Web de Chauvet à l'adresse <http://www.chauvetdj.com/>.

Contrôler des Eclairages DMX avec un Concentrateur D-Fi Hub

Le FlareCON Air 2 peut contrôler sans fil des éclairages DMX quand il est utilisé en conjonction avec un concentrateur D-Fi Hub.

Pour configurer un système utilisant un FlareCON Air 2 et un concentrateur D-Fi Hub pour contrôler sans fil des éclairages DMX, faites comme suit:

1. Configurez les appareils tels qu'indiqué dans la section [Configuration des Appareils pour le Fonctionnement avec le FlareCON Air 2](#) en utilisant un concentrateur D-Fi Hub comme l'un des appareils récepteurs connectés sans fil.
2. Connectez un câble DMX de la sortie DMX du concentrateur D-Fi Hub à l'entrée DMX de l'appareil compatible DMX.

Retrouvez toutes les informations concernant le concentrateur D-Fi Hub dans le manuel disponible sur le site Internet de Chauvet <http://www.chauvetdj.com/>.

Über diese Schnellanleitung

In der Schnellanleitung des FlareCON Air 2 finden Sie die wesentlichen Produktinformationen, wie etwa über die Montage, Menüoptionen und DMX-Werte des Geräts. Laden Sie für weiterführende Informationen unter www.chauvetdj.com das Benutzerhandbuch herunter.

Haftungsausschluss

Die in dieser Anleitung aufgeführten Informationen und Spezifikationen können ohne vorherige Ankündigung geändert werden.

EINGESCHRÄNKTE GARANTIE

ZUR REGISTRIERUNG FÜR GARANTIEANSPRÜCHE UND ZUR EINSICHT IN DIE VOLLSTÄNDIGEN GESCHÄFTSBEDINGUNGEN BESUCHEN SIE BITTE UNSERE WEBSITE.

Für Kunden in den USA und in Mexiko: www.chauvetlighting.com/warranty-registration.

Für Kunden im Vereinigten Königreich, in Irland, Belgien, den Niederlanden, Luxemburg, Frankreich und Deutschland: www.chauvetlighting.eu/warranty-registration.

Chauvet garantiert für die in der auf unserer Website veröffentlichten vollständigen eingeschränkten Garantie genannten Dauer und unter Vorbehalt der darin genannten Haftungsausschlüsse und -beschränkungen, dass dieses Produkt bei normalen Gebrauch frei von Material- und Verarbeitungsfehlern ist. Diese Garantie erstreckt sich nur auf den Erstkäufer des Produkts und ist nicht übertragbar. Zur Ausübung der unter dieser Garantie gewährten Rechte ist der Kaufbeleg in Form der Originalrechnung von einem autorisierten Händler vorzulegen, in der die Produktbezeichnung und das Kaufdatum vermerkt sein müssen. ES BESTEHEN KEINE WEITEREN AUSDRÜCKLICHEN ODER STILLSCHWEIGENDEN GARANTIEN. Diese Garantie gibt Ihnen besondere gesetzliche Rechte. Und Sie haben möglicherweise weitere Rechte, die von Land zu Land unterschiedlich sein können. Diese Garantie ist nur in den USA, im Vereinigten Königreich, in Irland, Belgien, den Niederlanden, Luxemburg, Frankreich, Deutschland und Mexiko gültig. Bezüglich der Garantiebestimmungen in anderen Ländern wenden Sie sich bitte an Ihren lokalen Händler.

FCC-Konformitätserklärung

Diese Ausrüstung wurde getestet und unterliegt den gemäß Teil 15 der FCC-Vorschriften für digitale Geräte der Klasse B festgelegten Beschränkungen. Diese Grenzwerte sind so definiert, dass sie ausreichenden Schutz gegen schädigende Störungen in einer Wohnumgebung gewährleisten. Dieses Gerät erzeugt, nutzt und emittiert Hochfrequenzstrahlung und kann sich bei einer nicht den Anweisungen entsprechenden Installation und Verwendung negativ auf den Funkverkehr auswirken. Es kann nicht garantiert werden, dass in einer bestimmten Installation keine Störungen auftreten. Sollte das Gerät die Funkkommunikation von Radios oder Fernsehgeräten stören, was durch Aus- und Einschalten des Geräts überprüft werden kann, sollte der Benutzer die Störungen anhand einer der folgenden Vorgehensweisen beheben:

1. Richten Sie die Empfangsantenne neu aus oder bringen Sie sie an einem anderen Ort an.
2. Erhöhen Sie den Abstand zwischen dem Gerät und dem Empfangsgerät.
3. Schließen Sie das Gerät an einen anderen Stromkreis als den des Empfangsgeräts an.
4. Wenn Sie Hilfe benötigen, wenden Sie sich an einen Rundfunk- oder Fernsehtechniker.

Warnung: Jegliche Änderungen oder Modifikationen, die nicht ausdrücklich von der Partei genehmigt wurden, die für die Compliance zuständig ist, könnten die Berechtigung des Benutzers zum Betrieb dieses Geräts aufheben. Dieses Gerät erfüllt Teil 15, Teil B, der FCC-Bestimmungen. Der Betrieb ist an folgende zwei Bedingungen geknüpft: (1) Dieses Gerät darf keine schädlichen Interferenzen verursachen und (2) Dieses Gerät muss empfangende Interferenzen aufnehmen können, auch Interferenzen, die eventuell einen unerwünschten Betrieb verursachen.

Sicherheitshinweise

Diese Sicherheitshinweise enthalten wichtige Informationen über die Montage, Verwendung und Wartung des Geräts.



- Dieses Produkt eignet sich nicht für eine permanente Installation.
 - Schließen Sie dieses Produkt NUR an einen mit der Erde verbundenen und geschützten Stromkreis an.
 - Trennen Sie das Gerät von der Stromquelle und ausschalten der Produkt, bevor Sie es reinigen.
 - NIEMALS in die Lichtquelle schauen, während das Gerät eingeschaltet ist.
 - Stellen Sie sicher, dass das Netzkabel nicht gequetscht oder beschädigt ist.
 - Ziehen Sie beim Trennen des Geräts von der Stromversorgung nie am Kabel.
 - KEINE entflammaren Materialien während des Betriebs in der Nähe des Geräts lagern.
 - NIEMALS während des Betriebs das Gehäuse berühren, da dies sehr heiß wird.
-
- Die Spannung der Schukosteckdose, an die Sie das Gerät anschließen, muss sich innerhalb des Spannungsbereiches befinden, der auf dem Hinweisschild oder dem rückwärtigen Bedienfeld des Geräts angegeben ist.
 - Dieses Gerät darf nur im Innenbereich verwendet werden. (IP20) Um das Risiko von Bränden oder elektrischen Schlägen zu vermeiden, dürfen Sie das Gerät nicht Regen oder Feuchtigkeit aussetzen.
 - Stellen Sie sicher, dass die Lüftungsöffnungen im Gehäuse des Geräts nicht verschlossen sind.
 - Schließen Sie dieses Gerät niemals an einen Dimmer oder Regelwiderstand an.
 - Das Gerät NUR an den Hänge-/Befestigungsbügeln oder Griffen tragen.
 - Die maximal zulässige Umgebungstemperatur beträgt 40 °C. Nehmen Sie das Gerät nicht bei höheren Temperaturen in Betrieb.
 - Bei ernsthaften Betriebsproblemen stoppen Sie umgehend die Verwendung des Geräts.
 - Dieses Gerät NICHT öffnen. Die eingebauten Komponenten sind für den Kunden wartungsfrei.
 - Um unnötigen Verschleiß zu vermeiden und die Lebensdauer des Geräts zu verlängern, trennen Sie während längerer Perioden des Nichtgebrauchs das Gerät vom Stromnetz – entweder per Trennschalter oder durch Herausziehen des Steckers aus der Steckdose.



Kontakt

Kunden außerhalb der USA, GB, Irland, Frankreich, Deutschland, Mexiko oder Benelux wenden sich an ihren Lieferanten, um den Kundensupport in Anspruch zu nehmen oder ein Produkt zurückzuschicken. Kontaktinformationen finden Sie unter www.chauvetdj.com.

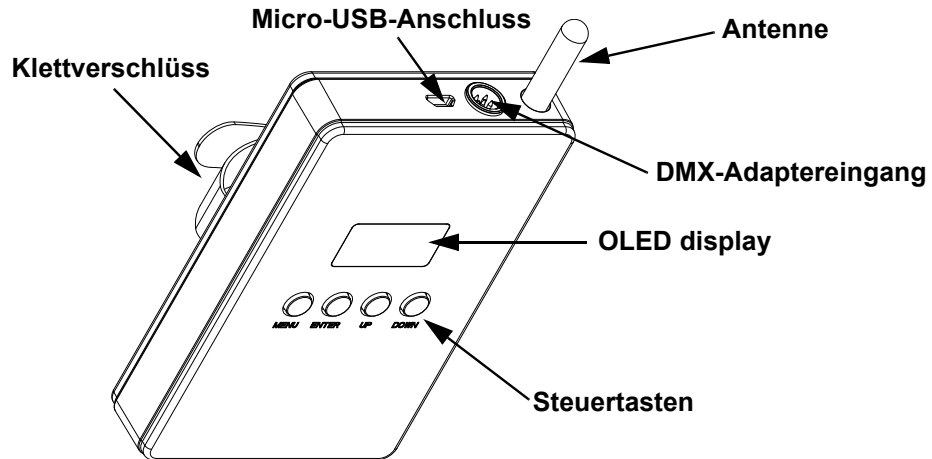
Packungsinhalt

- FlareCON Air 2
- Externes Netzkabel
- USB-Kabel
- DMX-Adapter
- Schnellanleitung

Start

Packen Sie Ihren FlareCON Air 2 aus und überprüfen Sie, ob Sie alle Teile unbeschädigt erhalten haben. Wenn die Verpackung beschädigt ist, benachrichtigen Sie umgehend das Transportunternehmen, nicht jedoch Chauvet.

Produktübersicht



Halten Sie zum Ein- und Ausschalten des Produkts die Tasten <MENU> + <ENTER> 3 Sekunden lang gedrückt.

Wechselstrom

Dieses Gerät verfügt über ein externes Ladegerät, das automatisch die anliegende Spannung erkennt, sobald der Netzstecker in die Schukosteckdose gesteckt wird, und kann mit einer Eingangsspannung von 100 bis 240 VAC, 50/60 Hz arbeiten.



Um unnötigen Verschleiß zu vermeiden und die Lebensdauer des Geräts zu verlängern, trennen Sie während längerer Perioden des Nichtgebrauchs das Gerät vom Stromnetz – entweder per Trennschalter oder durch Herausziehen des Steckers aus der Steckdose.

Stromversorgung per Akku

Der FlareCON Air 2 wird für einen kabelfreien Betrieb mit einem Lithium-Ionen-Akku geliefert.

Laden des Akkus

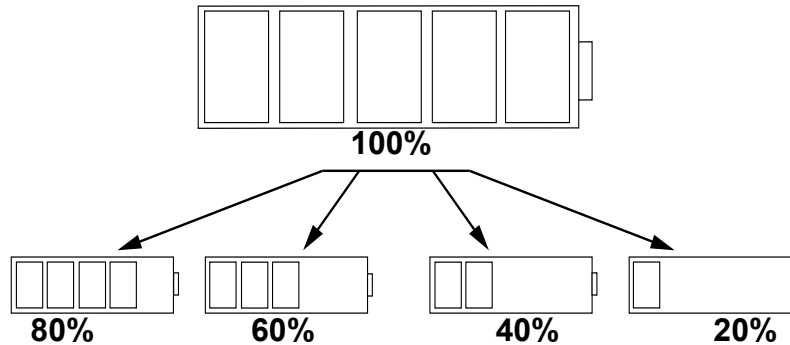
Der Akku wird geladen, sobald das FlareCON Air 2 mit einem externen Ladegerät und das Ladegerät mit dem Stromnetz verbunden werden. Wenn das Produkt angesteckt und nicht in Betrieb ist, stellen Sie sicher, dass das Produkt ausgeschaltet ist.



Bei Verwendung der Ladegerät laden Sie die FlareCON Air 2, während das Gerät ausgeschaltet ist.

Akkustandsanzeige

Die Kontrollleuchten auf der LED-Menüanzeige zeigen die verbleibende Laufzeit der Akkus an. In der folgenden Zeichnung erfahren Sie, wie die Kontrollleuchten für den Akkuladestand zu interpretieren sind.



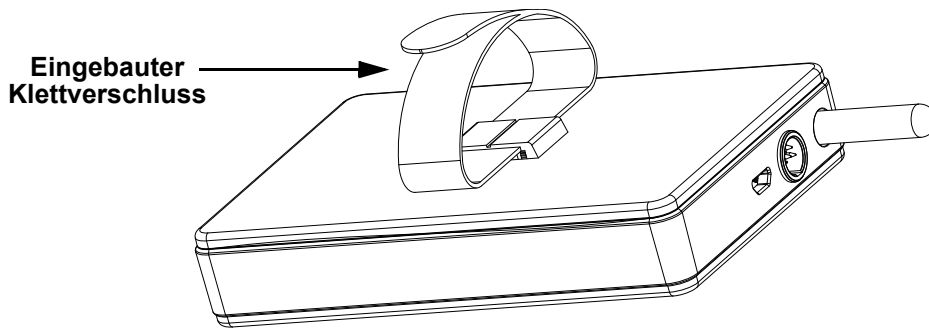
Akkulaufzeit

Maximale Laufzeit (alle Farben angeschaltet)	Ladezeit
Bis zu 8 Stunden	4 Stunden

Montage

Lesen Sie vor der Montage dieses Geräts in jedem Fall die [Sicherheitshinweise](#).

Montageansicht



Beschreibung des Bedienfeldes

Taste	Funktion
<MENU>	Wählt einen Betriebsmodus oder verlässt die aktuelle Menüoption
<UP>	Damit navigieren Sie durch die Menüpunkte nach oben und erhöhen den numerischen Wert der entsprechenden Funktionen
<DOWN>	Damit navigieren Sie durch die Menüpunkte nach unten und verringern den numerischen Wert der entsprechenden Funktionen
<ENTER>	Aktiviert eine Menüoption oder einen ausgewählten Wert

Menükarte

Modus	Programmirebenen	Beschreibung
Manual Channel	<CH01–16>	Wählt manuell einen Kanal für das D-Fi-Netz aus
Input Mode	<WIFI>	Stellt den Eingabemodus auf drahtlosen Wi-Fi™-Signaleingang ein
	<DMX>	Stellt den Eingabemodus auf kabelgebundenen DMX-Signaleingang ein
Back Light	On	Die Hintergrundbeleuchtung schaltet sich nicht aus
	10S	Schaltet sich nach 10 Sekunden aus
	20S	Schaltet sich nach 20 Sekunden aus
	30S	Schaltet sich nach 30 Sekunden aus
Information	Version	Zeigt die installierte Softwareversion an
	WIFI SSID <namen Wi-Fi™>	Zeigt den Namen des aktuellen Wi-Fi™-Netzwerks an (SSID)
	WIFI Channel <01–16>	Zeigt den Namen des aktuellen Kanals an
Factory Reset	No	Setzt die Werkseinstellungen zurück
	Yes	

Verwenden des FlareCON Air 2

Der FlareCON Air 2 kann mit folgenden Geräten verwendet werden:

- Smartphones und Tablets (mobile Geräte), auf denen die FlareCON-App installiert ist
- Mit Di-Fi™-kompatiblen Leuchten
- D-Fi Hub
- DMX-Controller
- DMX-Leuchten bei Verwendung mit einem D-Fi Hub oder direktem Anschluss über ein DMX-Kabel

Die FlareCON-App kann kostenlos aus dem Google™ Play Store oder dem Apple App Store heruntergeladen werden.



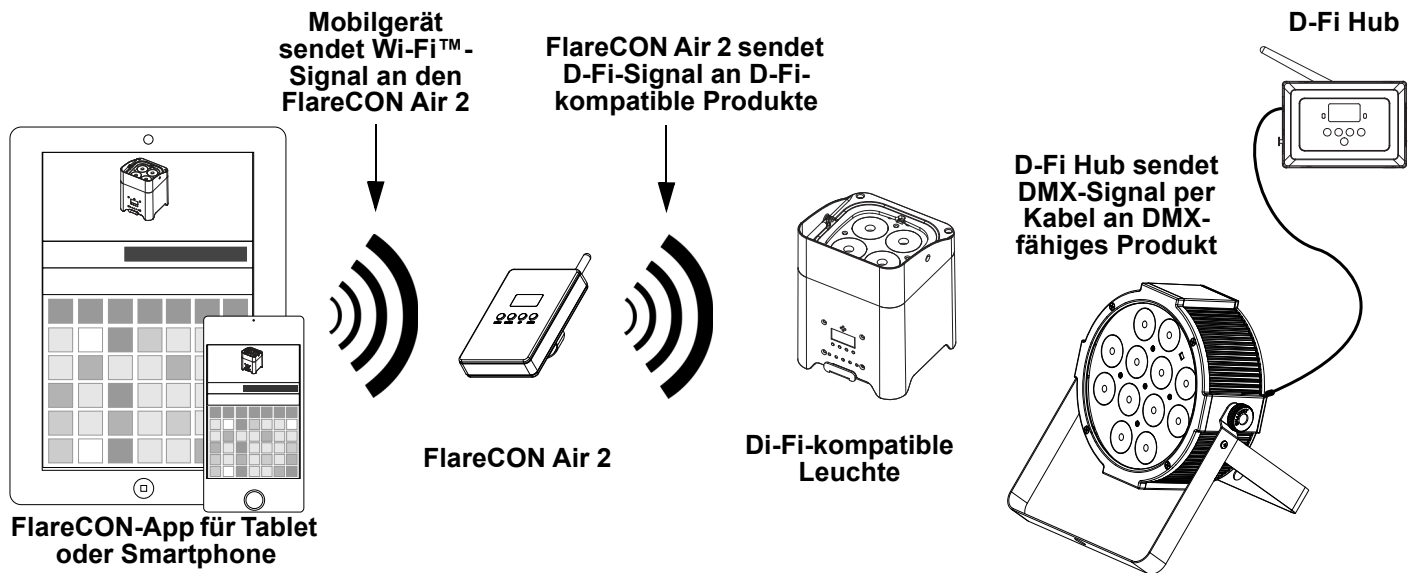
Es kann nur jeweils ein Mobilgerät angeschlossen werden.



Halten Sie zum Ein- und Ausschalten des Produkts die Tasten <MENU> + <ENTER> 3 Sekunden lang gedrückt.

Drahtlose D-Fi-Signale

Wenn der FlareCON Air 2 mit einem Mobilgerät verwendet wird, erzeugt er ein Drahtlosnetzwerk (Wi-Fi™) zum Empfangen der Signale von den Mobilgeräten und sendet diese D-Fi-Signale dann drahtlos an D-Fi-fähige Leuchten oder einen D-Fi Hub.



Es kann nur jeweils ein Smartphone oder Tablet angeschlossen werden.

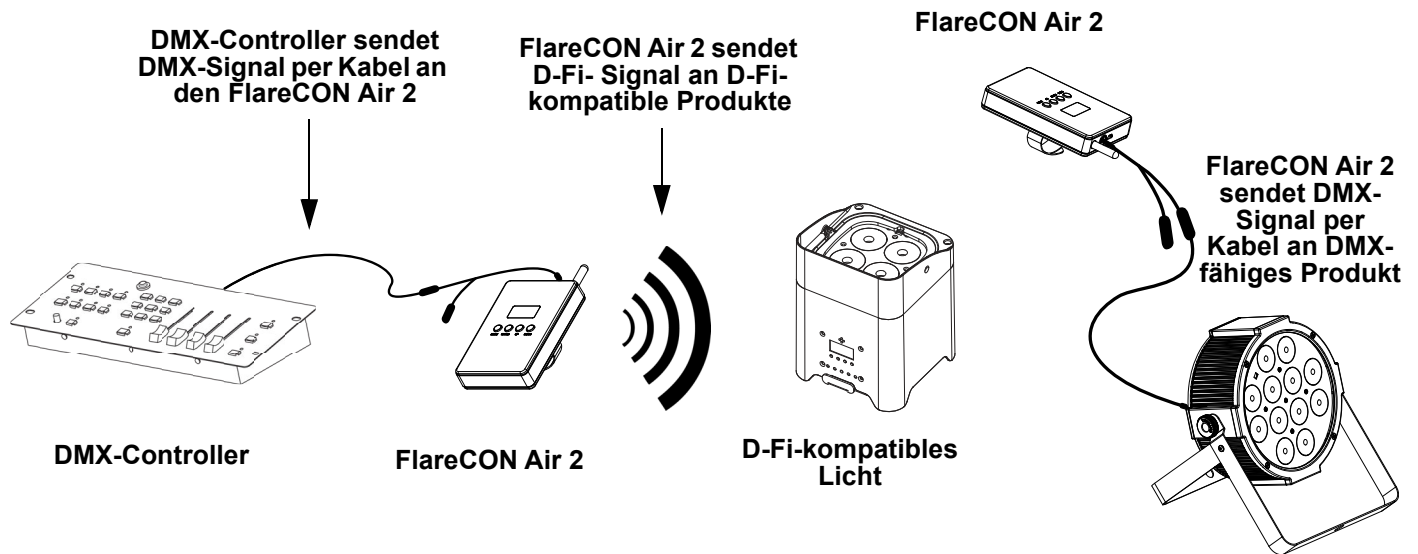


- Das Tablet oder Smartphone mit der FlareCON™-App muss sich innerhalb eines Radius von 60 m des FlareCON Air 2 befinden.
- Installieren Sie den FlareCON Air 2 immer innerhalb eines Radius von 120 m des Geräts, das die D-Fi-Signale empfängt™. Der FlareCON Air 2 funktioniert am besten bei einer „freien Sicht“ auf die D-Fi-Geräte.

DMX-Signale per Kabel von einem Controller

Wenn der FlareCON Air 2 mit einem DMX-Controller verwendet wird, empfängt er vom Controller die Signale über ein DMX-Kabel. FlareCON Air 2 sendet dann:

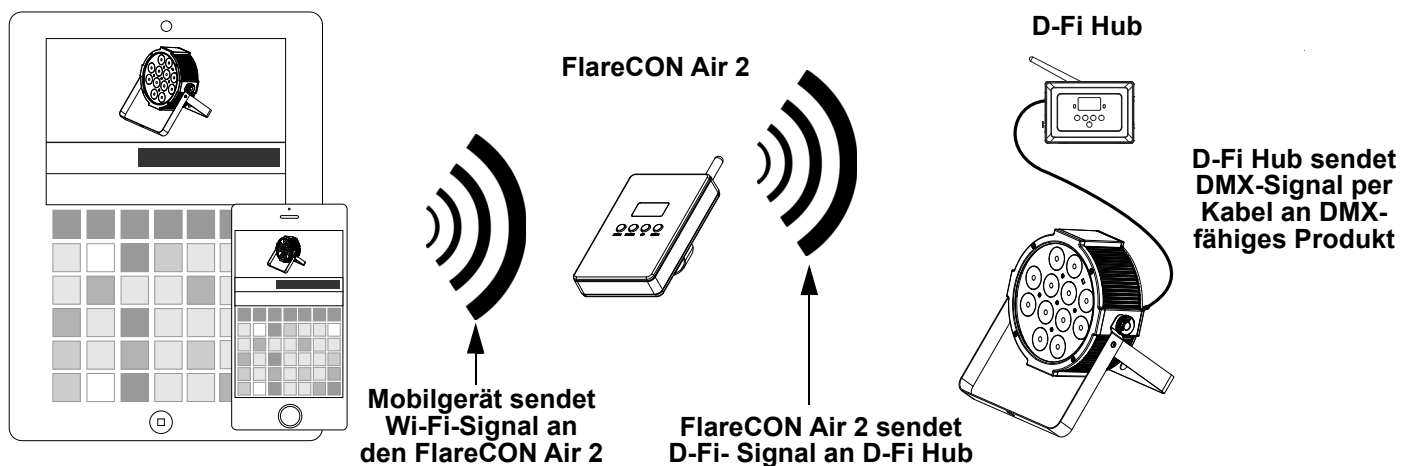
- D-Fi-Signale drahtlos an D-Fi-kompatible Leuchten
- DMX sendet Signale per mit einem beliebigen DMX-fähigen Produkt verbundenen DMX-Kabel.



Installieren Sie den FlareCON Air 2 immer innerhalb eines Radius von 120 m des Geräts, das die D-Fi-Signale empfängt. Der FlareCON Air 2 funktioniert am besten bei einer „freien Sicht“ auf die D-Fi-Geräte.

Drahtlose Steuerung mit DMX-Geräten

Bei der Verwendung des FlareCON Air 2 zum drahtlosen Senden eines D-Fi-Signals während des Betriebs von DMX-Leuchten, die nicht D-Fi-fähig sind, muss der FlareCON Air 2 mit einem D-Fi Hub verwendet werden. Der FlareCON Air 2 erzeugt ein Drahtlosnetzwerk (Wi-Fi™) zum Empfangen der Signale vom Mobilgerät und sendet diese D-Fi-Signale dann drahtlos an den D-Fi Hub. Der D-Fi Hub wandelt dann diese Signale in DMX-Signale um und sendet sie über ein DMX-Kabel an die DMX-Leuchten.



Es kann nur jeweils ein Smartphone oder Tablet angeschlossen werden.



- Das Tablet oder Smartphone mit der FlareCON-App muss sich innerhalb eines Radius von 60 m des FlareCON Air 2 befinden.
- Installieren Sie den FlareCON Air 2 immer innerhalb eines Radius von 120 m des Geräts, das die D-Fi-Signale empfängt. Der FlareCON Air 2 funktioniert am besten bei einer „freien Sicht“ auf die D-Fi-Geräte.

Einrichten von Produkten mit FlareCON Air 2

Der FlareCON Air 2 ermöglicht unterschiedliche Konfigurationen mit D-Fi™ und DMX-Produkten. Beispiele für die Konfigurationsanforderungen beim Einrichten finden Sie unter [Verwenden des FlareCON Air 2](#).

Für die Konfiguration Ihrer Produkte mit FlareCON Air 2 führen Sie folgende Schritte durch:

1. Schalten Sie die FlareCON Air 2 ein.
2. Schalten Sie das Wi-Fi™ auf Ihrem Mobilgerät an.



Wenn Sie dies nicht bereits getan haben, laden Sie die FlareCON-App auf Ihr Mobilgerät herunter und installieren diese.

3. Öffnen Sie die Wi-Fi™-Einstellungen Ihres Mobilgeräts und stellen Sie eine Verbindung mit dem Standard-Wi-Fi (SSID) des FlareCON Air 2 her. Vergleichen Sie die Anleitungen unter [Herstellen einer Verbindung mit einem Mobilgerät](#).
4. Um zu vermeiden, dass andere drahtlose Signale in unmittelbarer Nähe gestört werden, wählen Sie den Wi-Fi-Kanal zwischen <CH01> und <CH16> (Kanäle 1 bis 16) am FlareCON Air 2 manuell aus. Siehe [Auswählen eines Kanals](#).
5. Stellen Sie Ihre Geräte so ein, dass diese vom FlareCON Air 2 gesendete Signale empfangen können. Einzelheiten dazu finden Sie in den Bedienungsanleitungen der Produkte.
 - Stellen Sie die Geräte so ein, dass diese Signale auf dem gleichen Kanal empfangen können, der im vorherigen Schritt beim FlareCON Air 2 eingestellt wurde.
 - Stellen Sie die Geräte auf den einfachsten DMX-Modus ein.



Stellen Sie sicher, dass die DMX-Startadresse auf 001 eingestellt ist.

6. Wählen Sie aus, ob der FlareCON Air 2 Signale drahtlos oder über ein DMX-Kabel empfangen soll. Siehe [Auswählen eines Signaleingangs-Modus](#).



Stellen Sie sicher, dass bei DMX-Produkten ein DMX-Kabel mit dem DMX-Ausgang des Geräts, das das DMX-Signal sendet (je nach vorgenommener Einstellung, FlareCON Air 2 oder D-Fi Hub), und dem DMX-Eingang des Geräts, das das DMX-Signal empfängt, verbunden ist.

7. Sobald die Produkte ordnungsgemäß am FlareCON Air 2 angeschlossen sind und der FlareCON Air 2 ordnungsgemäß mit der FlareCON-App verbunden ist, rufen Sie die FlareCON-App auf Ihrem Mobilgerät auf. Vergleichen Sie die Details unter [Herstellen einer Verbindung mit einem Mobilgerät](#).

Bei Verwendung Ihres Mobilgeräts können Sie nun die von Ihren Leuchten emittierten Farben auswählen. Vergleichen Sie die Details zum Einrichten von Produkten mit FlareCON Air 2 unter [Konfigurieren des FlareCON Air 2](#).



Für weitere Informationen zum Betrieb der FlareCON-App laden Sie sich die Bedienungsanleitung auf der Website von Chauvet herunter <http://www.chauvetdj.com/>.

Konfigurieren des FlareCON Air 2

Eine Konfigurierung des FlareCON Air 2 umfasst die Auswahl der Betriebskanäle und des Eingabemodus – entweder Wi-Fi™ für einen Betrieb von einem Mobilgerät aus oder DMX für den Anschluss an einen Controller.

Auswählen eines Kanals

Der Wi-Fi™ -Kanal kann manuell ausgewählt werden. Gehen Sie folgendermaßen vor, um einen Betriebskanal auszuwählen:

1. Schalten Sie die FlareCON Air 2 ein.
2. Drücken Sie <MENU>, um das Hauptmenü aufzurufen.
3. Verwenden Sie <UP> oder <DOWN>, bis **Manual Channel** im Display ausgewählt ist.
4. Betätigen Sie <ENTER>.
5. Mit <UP> oder <DOWN> scrollen Sie durch die Kanalnummern <CH01> bis <CH16>.
6. Betätigen Sie <ENTER>, um die Kanalnummer auszuwählen. Verwenden Sie diesen gleichen Kanal, um den Empfangskanal der anderen Geräte einzustellen.

Auswählen eines Signaleingangs-Modus

Durch das Auswählen eines Signaleingangs-Modus (Input Mode) wird bestimmt, wie der FlareCON Air 2 Steuerungssignale empfängt: entweder im Wi-Fi™-Modus von der FlareCON-App oder im DMX-Modus von einem DMX-Controller.

Um den Signaleingangs-Modus einzustellen, gehen Sie wie folgt vor:

1. Schalten Sie die FlareCON Air 2 ein.
2. Drücken Sie <MENU>, um das Hauptmenü aufzurufen.
3. Verwenden Sie <UP> oder <DOWN>, bis **Input Mode** im Display ausgewählt ist.
4. Betätigen Sie <ENTER>.
5. Mit <UP> oder <DOWN> wählen Sie den Modus <WIFI> oder <DMX>.
6. Betätigen Sie <ENTER>, um den gewünschten Eingabemodus einzustellen.

Herstellen einer Verbindung mit einem Mobilgerät

Stellen Sie eine Verbindung mit einem Mobilgerät her, nachdem Sie den FlareCON Air 2 konfiguriert und die FlareCON-App auf Ihrem Mobilgerät installiert haben.

Führen Sie folgende Schritte aus, um die Verbindung mit Ihrem Mobilgerät herzustellen:

1. Suchen Sie den Namen des standardmäßigen Wi-Fi™ des FlareCON Air 2. Vergleichen Sie [Suchen des Namens des FlareCON Air 2 Wi-Fi™-Netzwerks](#).
2. Wählen Sie unter Verwendung des im vorherigen Schritt identifizierten Wi-Fi-Netzwerks dieses Wi-Fi-Netzwerk auf Ihrem Mobilgerät. Vergleichen Sie [Herstellen einer Verbindung mit dem FlareCON Air 2 Wi-Fi™](#).

Bei Verwendung eines Smartphones oder Tablets mit einem Android-Betriebssystem kann es unterstützend wirken, wenn Sie die Wi-Fi-Einstellungen auf Ihrem Mobilgerät nachjustieren, um zu verhindern, dass die Wi-Fi-Verbindung mit dem FlareCON Air 2 unterbrochen ist. Je nach dem spezifischen Modell Ihres Mobilgeräts kann die genaue Formulierung in Ihren Einstellungen variieren. Führen Sie einen Schritt oder beide Schritte aus:

1. Öffnen Sie die Wi-Fi-Einstellungen auf Ihrem Smartphone oder Tablet.
2. Deaktivieren Sie alle Funktionen, die nach Wi-Fi suchen.
3. Deaktivieren Sie alle Funktionen, die automatisch Wi-Fi-Netzwerke schalten.
4. Kehren Sie zu den Wi-Fi™ -Einstellungen Ihres Smartphones oder Tablets zurück.
5. Wählen Sie den Anwendungs-Manager.
6. Wählen Sie „ALLE“.
7. Scrollen Sie zu „Wi-Fi™“, wählen Sie dies Option, um Daten zu löschen und den Cache zu leeren.
8. Scrollen Sie zu „Wi-Fi™ direkt teilen“, wählen Sie diese Option, um Daten zu löschen und den Cache zu leeren.

Weitere Informationen zu den Optionen der Wi-Fi-Einstellung auf Ihrem Smartphone oder Tablet finden Sie in der mit dem Mobilgerät mitgelieferten Dokumentation.



Chauvet empfiehlt, dass vor dem Herstellen einer Verbindung mit einem Mobilgerät die Leuchten konfiguriert wurden und betriebsbereit sind.

Suchen des Namens des FlareCON Air 2 Wi-Fi™-Netzwerks

Um den Namen des FlareCON Air 2 Wi-Fi™ zu suchen, gehen Sie wie folgt vor:

1. Schalten Sie die FlareCON Air 2 ein.
2. Stellen Sie sicher, dass ein Kanal ausgewählt wurde (vgl. [Auswählen eines Kanals](#)) und der Eingabe-Modus auf WIFI (vgl. [Auswählen eines Signaleingangs-Modus](#)) eingestellt ist.
3. Drücken Sie <MENU>, um das Hauptmenü aufzurufen.
4. Verwenden Sie <UP> oder <DOWN>, bis **Information** im Display ausgewählt ist.
5. Betätigen Sie <ENTER>.
6. Mit <UP> oder <DOWN> zeigen Sie den aktuellen Wi-Fi™-Namen und die Kanalnummer an. Verwenden Sie diesen standardmäßigen Wi-Fi™-Namen (SSID) vom FlareCON Air 2, um das Wi-Fi™ auf Ihren Mobilgeräten auszuwählen.
7. Drücken Sie auf <MENU>, um die Menüfunktion „Information“ zu verlassen.

Herstellen einer Verbindung mit dem FlareCON Air 2 Wi-Fi™

Zum Herstellen einer Verbindung zwischen einem Mobilgerät und dem FlareCON Air 2 Wi-Fi™ gehen Sie wie folgt vor:

1. Schalten Sie die FlareCON Air 2 ein.
2. Stellen Sie sicher, dass der Eingabe-Modus auf **WIFI** eingestellt ist.
3. Um eine Verbindung Ihres Mobilgeräts mit dem FlareCON Air 2 Wi-Fi™ herzustellen, verwenden Sie die Funktion „Einstellungen“ Ihres Mobilgeräts, um das auf dem Infobildschirm des FlareCON Air 2 angezeigte Wi-Fi™-Netzwerk auszuwählen.
4. Öffnen Sie die FlareCON-App. In der Mitte des Bildschirms wird SSID angezeigt.



Der Name des standardmäßigen Wi-Fi™-Netzwerks des FlareCON Air 2 kann nach erfolgter Verbindung mithilfe der FlareCON-App geändert werden. Weitere Informationen finden Sie in der Bedienungsanleitung des FlareCON. Bedienungsanleitungen finden Sie unter <http://www.chauvetdj.com/>.

Herstellen einer Verbindung mit einem DMX-Controller

Um ein System zu konfigurieren, das einen mit dem FlareCON Air 2 verbundenen DMX-Controller zum Steuern der Leuchten verwendet (vgl. [DMX-Signale per Kabel von einem Controller](#)), gehen Sie wie folgt vor:

1. Aktivieren Sie beim FlareCON Air 2 den DMX-Eingang. Vergleichen Sie [Auswählen eines Signaleingangs-Modus](#).
2. Verbinden Sie ein DMX-Kabel mit dem DMX-Ausgang des Controllers und dem DMX-Eingangsadapter des FlareCON Air 2.
3. Konfigurieren Sie die verbleibenden Geräte. Vergleichen Sie [Einrichten von Produkten mit FlareCON Air 2](#).

Informationen zum Betrieb eines DMX-Controllers finden Sie in der Bedienungsanleitung des Controllers.

Bedienungsanleitungen für Controller von CHAUVET können Sie von der Website von Chauvet herunterladen <http://www.chauvetdj.com/>.

Ansteuern von DMX-Leuchten mit D-Fi Hub

Der FlareCON Air 2 kann drahtlos DMX-Leuchten ansteuern, wenn er zusammen mit einem D-Fi Hub verwendet wird.

Um ein System zu konfigurieren, das einen FlareCON Air 2 und einen D-Fi Hub verwendet, um drahtlos DMX-Leuchten anzusteuern, gehen Sie wie folgt vor:

1. Konfigurieren Sie die Geräte wie in [Einrichten von Produkten mit FlareCON Air 2](#) vorgegeben, mithilfe eines D-Fi Hub als eines der für den Drahtlosempfang geeigneten Geräte.
2. Schließen Sie ein DMX-Kabel am DMX-Ausgang des D-Fi Hub und am DMX-Eingang des DMX-Geräts an.

Informationen zur Verwendung des D-Fi Hub finden Sie in der entsprechenden Bedienungsanleitung auf der Website von Chauvet, unter <http://www.chauvetdj.com/>.

Informazioni sulla Guida

La Guida Rapida FlareCON Air 2 contiene informazioni di base sul prodotto quali montaggio, opzioni menù e valori DMX. Per maggiori dettagli, scaricare il Manuale Utente dal sito www.chauvetdj.com.

Esclusione di responsabilità

Le informazioni e le specifiche contenute in questa guida possono essere modificate senza preavviso.

GARANZIA LIMITATA

PER LA REGISTRAZIONE DELLA GARANZIA ED I TERMINI E CONDIZIONI COMPLETI VISITARE IL NOSTRO SITO WEB
Per clienti di Stati Uniti e Messico consultare: www.chauvetlighting.com/warranty-registration.

Per clienti di Regno Unito, Repubblica di Irlanda, Belgio, Paesi Bassi, Lussemburgo, Francia e Germania:
www.chauvetlighting.eu/warranty-registration.

Chauvet garantisce che i propri prodotti, in condizioni di utilizzo normale, sono esenti da difetti di materiali e manodopera, per il periodo specificato e con le esclusioni e limitazioni riportate nella garanzia integrale limitata sul proprio sito Web. Tale garanzia si applica soltanto all'acquirente originario del prodotto e non può essere trasferita. Per esercitare i propri diritti secondo i termini della presente garanzia è necessario fornire prova dell'acquisto sotto forma di ricevuta o fattura originale di un distributore autorizzato che riporti chiaramente il nome del prodotto e la data di acquisto. **NON SONO PREVISTE ALTRE GARANZIE ESPRESSE O IMPLICITE.** Questa garanzia prevede diritti legali specifici. È comunque possibile avere altri diritti che variano da stato a stato e da paese a paese. Questa garanzia si applica soltanto negli Stati Uniti, Regno Unito, Repubblica di Irlanda, Belgio, Paesi Bassi, Lussemburgo, Francia, Germania e Messico. Per i termini di garanzia vigenti in altri paesi si prega di consultare il distributore locale.

Dichiarazione FCC

Questa apparecchiatura è stata collaudata ed è risultata conforme ai limiti previsti per i dispositivi digitali in Classe B, come da Parte 15 delle Norme FCC. Tali limiti sono stati definiti per fornire ragionevole protezione contro interferenze nocive in installazioni residenziali. Questa apparecchiatura genera, utilizza e può emettere energia in radiofrequenza e, se non installata ed utilizzata in conformità con le istruzioni, può provocare interferenze dannose alle comunicazioni radio. Non vi è comunque alcuna garanzia che in particolari installazioni non si verifichino interferenze. In caso questa apparecchiatura provochi interferenze dannose alla ricezione radio o televisiva, che possano essere determinate dall'attivazione e disattivazione della stessa, si suggerisce di provare a correggere tali interferenze in uno dei modi seguenti:

1. ri-orientare o spostare l'antenna ricevente
2. aumentare la distanza tra l'apparecchiatura ed il ricevitore
3. collegare l'apparecchiatura ad una presa elettrica su un circuito diverso da quello cui è connesso il ricevitore
4. consultare il rivenditore o un tecnico esperto di radio/TV

Attenzione: Eventuali cambiamenti o modifiche non espressamente approvati dalla parte responsabile della conformità può invalidare il diritto dell'utente ad utilizzare l'apparecchiatura.

Questo dispositivo è conforme alla Parte 15, Classe B, delle norme FCC. Il funzionamento è soggetto alle seguenti due condizioni: (1) Questo dispositivo non deve causare interferenze dannose e (2) questo dispositivo deve accettare qualsiasi interferenza ricevuta, comprese quelle che possono causare un funzionamento indesiderato.

Note di Sicurezza

Le Note di Sicurezza includono informazioni importanti circa il montaggio, l'uso e la manutenzione.



- Questa apparecchiatura non è progettata per installazione permanente.
- Collegare questa unità **SOLTANTO** ad un circuito dotato di messa a terra e protetto.
- Prima di effettuare la pulizia, spegnere e scollegare sempre l'unità dall'alimentazione elettrica.
- **NON** guardare la sorgente luminosa quando l'unità è in funzione.
- Assicurarsi che il cavo di alimentazione non sia piegato o danneggiato.
- Non scollegare mai questa apparecchiatura dall'alimentazione elettrica tirando il cavo.
- **NON** collocare materiale infiammabile vicino all'unità mentre è in funzione.
- **NON** toccare l'unità durante il funzionamento perché potrebbe essere molto calda.



- La tensione della presa a muro cui si collega l'apparecchiatura deve trovarsi entro il campo specificato sull'etichetta o sul pannello posteriore.
- Questa apparecchiatura deve essere utilizzata soltanto in interni (IP20)! Per evitare il rischio di incendio o di folgorazione non esporre l'apparecchiatura alla pioggia o all'umidità.
- Assicurarsi che nessuna apertura di ventilazione dell'unità sia ostruita.
- Non collegare mai ad un dimmer o ad un reostato.
- Prendere e trasportare l'unità **SOLTANTO** dalla staffa per il montaggio sospeso o dalle maniglie.
- Massima temperatura ambiente ammessa: 40 °C (104 °F). Non utilizzare l'unità a temperature superiori.
- In caso di gravi problemi di funzionamento sospendere immediatamente l'utilizzo.
- **NON** aprire l'unità. Non contiene parti riparabili dall'utente.
- Per evitare un consumo inutile ed aumentare la durata, durante i periodi di non utilizzo disconnettere completamente il prodotto dall'alimentazione con l'interruttore o scollegando il cavo.

Contatti

Per richiedere assistenza o restituire l'apparecchiatura, al di fuori di Stati Uniti, Regno Unito, Irlanda, Francia, Germania, Messico o Benelux contattare il distributore locale. Per informazioni sui contatti, visitare il sito Web www.chauvetdj.com.

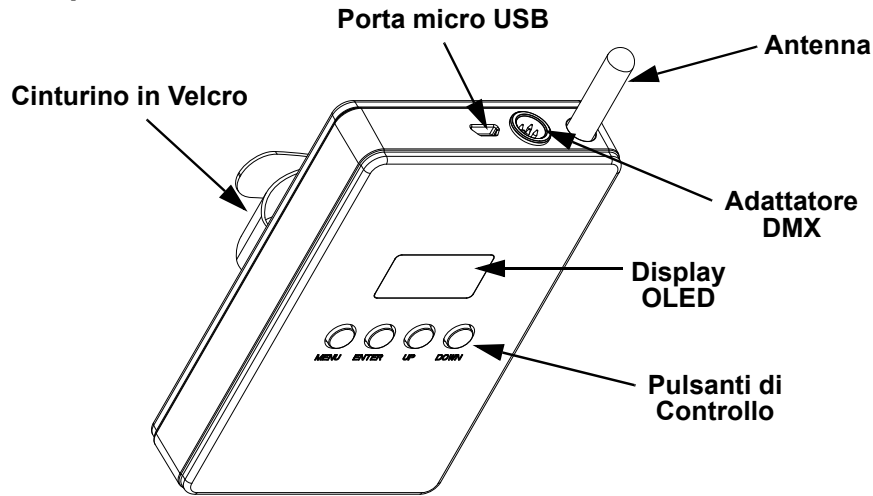
Che cosa è incluso

- FlareCON Air 2
- Alimentazione esterna
- Cavo USB
- Adattatore DMX
- Guida Rapida

Per iniziare

Disimballare FlareCON Air 2 ed accertarsi di aver ricevuto tutti i componenti integri. Se l'imballo appare danneggiato, farlo immediatamente presente al trasportatore e non a Chauvet.

Informazioni generali del prodotto



Per accendere o spegnere il prodotto, tenere premuti i pulsanti <MENU> + <ENTER> per 3 secondi.

Alimentazione CA

Questa apparecchiatura è dotata di alimentatore esterno a commutazione automatica con tensione in ingresso di 100~240 V CA - 50/60 Hz.



Per evitarne l'eccessiva usura e migliorarne la durata nel tempo, scollegare l'unità dalla presa elettrica o disattivare l'alimentazione tramite l'apposito interruttore, se inutilizzata per lunghi periodi.

Alimentazione a batteria

FlareCON Air 2 viene fornito con una batteria ricaricabile al litio per funzionamento senza cavo.

Ricarica della batteria

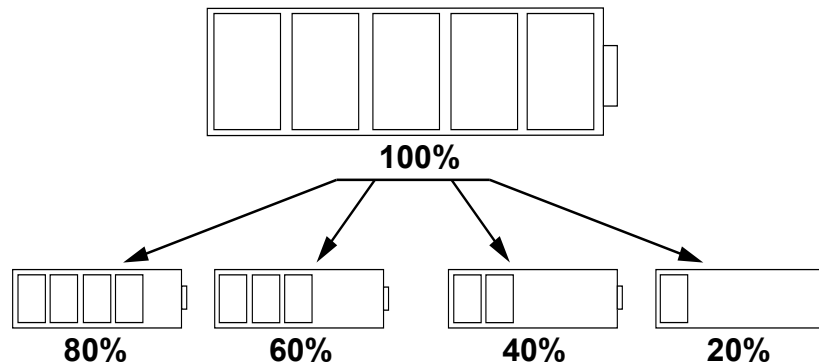
La batteria si ricarica ogni volta che il FlareCON Air 2 viene collegata al caricabatterie esterno collegato alla presa di alimentazione. Se il prodotto è collegata alla presa di alimentazione e non è in funzione, assicurarsi che il prodotto sia spento.



Quando si utilizza il multi-caricatore, caricare lo FlareCON Air 2 mentre l'unità è spenta.

Indicatore di carica della batteria

Gli indicatori sul display Menu a LED mostrano la carica residua. Lo schema seguente ne fornisce la chiave di lettura.



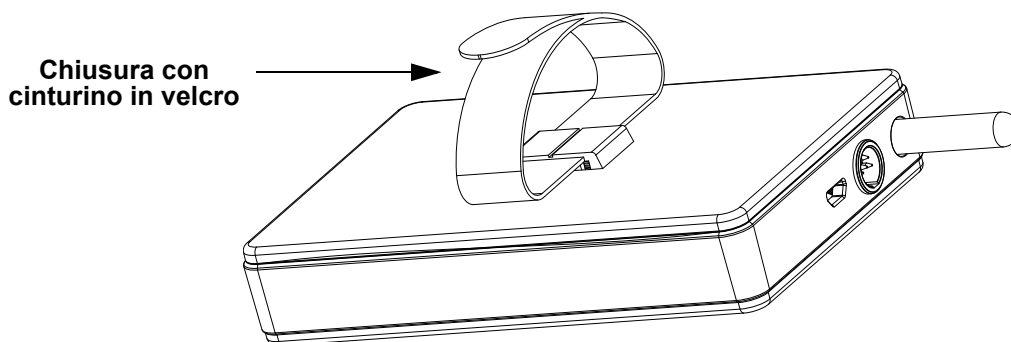
Tempo di funzionamento della batteria

Tempo massimo di funzionamento (tutti i colori accesi)	Tempo di ricarica
Fino a 8 ore	4 ore

Montaggio

Prima di montare l'unità, leggere le [Note di Sicurezza](#).

Schema di montaggio



Descrizione del pannello di controllo

Pulsante	Funzione
<MENU>	Consente di uscire dal menù o dalla funzione corrente
<UP>	Consente di spostarsi verso l'alto nell'elenco menù e di aumentare il valore numerico all'interno di una funzione
<DOWN>	Consente di spostarsi verso il basso nell'elenco menù e di diminuire il valore numerico all'interno di una funzione
<ENTER>	Consente di attivare il menù visualizzato o impostare il valore selezionato nella funzione selezionata

Mapa menu

Modalità	Livelli di programmazione	Descrizione
Manual Channel	<CH01-16>	Seleziona manualmente un canale per la rete D-Fi
Input Mode	<WIFI>	Imposta la modalità di segnale in ingresso verso l'ingresso Wi-Fi™
	<DMX>	Imposta la modalità di segnale in ingresso verso l'ingresso DMX cablato
Back Light	On	Non si spegne
	10S	Si spegne dopo 10 secondi
	20S	Si spegne dopo 20 secondi
	30S	Si spegne dopo 30 secondi
Information	Version	Mostra la versione del software installato
	WIFI SSID <Nome Wi-Fi™>	Seleziona manualmente un canale per la rete Wi-Fi™
	WIFI Channel <01-16>	Seleziona automaticamente un canale libero per la rete Wi-Fi™
Factory Reset	No	Ripristina le impostazioni di fabbrica
	Yes	

Utilizzo di FlareCON Air 2

FlareCON Air 2 funziona con:

- Smartphone e tablet (dispositivi mobili) con la app FlareCON
- Illuminazioni compatibili D-Fi
- D-Fi Hub
- Controller DMX
- Luci DMX utilizzate con un hub D-Fi Hub o collegate direttamente mediante cavo DMX

La app FlareCON è disponibile gratuitamente tramite Google™ Play Store o Apple App Store.



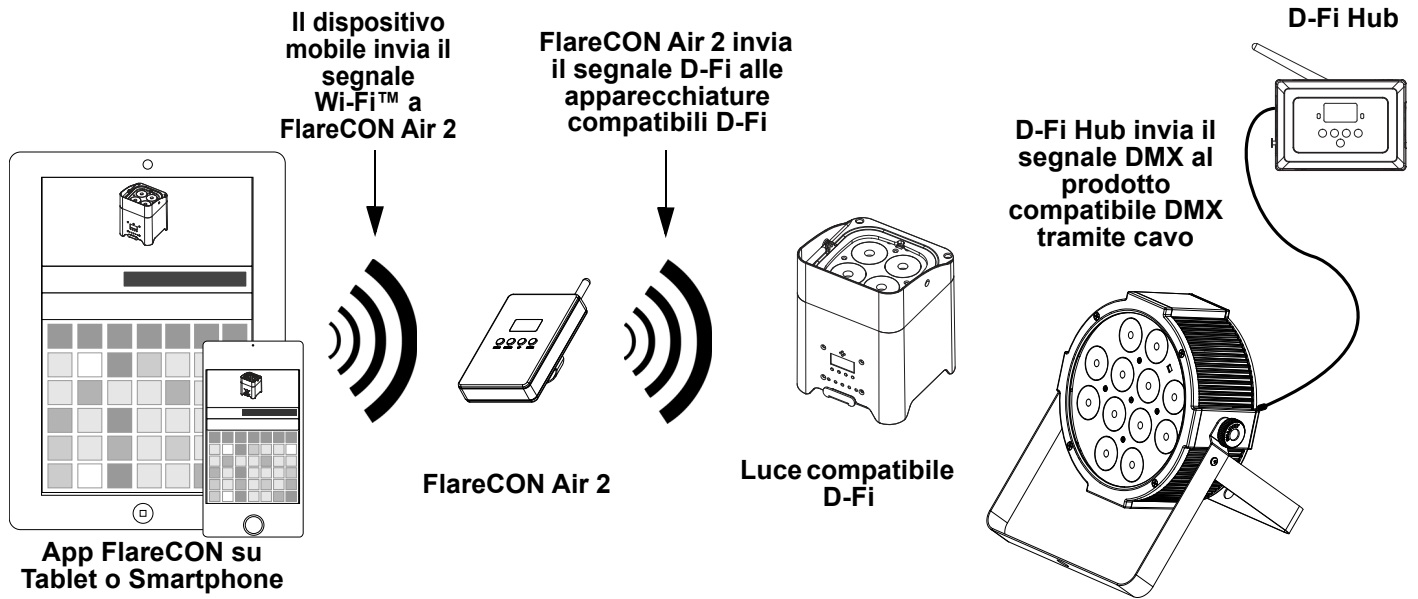
Assicurarsi di collegare un solo dispositivo mobile per volta.



Per accendere o spegnere il prodotto, tenere premuti i pulsanti <MENU> + <ENTER> per 3 secondi.

Segnali Wireless D-Fi

Utilizzato con un dispositivo mobile, FlareCON Air 2 crea una rete wireless (Wi-Fi™) per ricevere segnali da un dispositivo mobile e ritrasmettere segnali wireless D-Fi ad illuminazioni compatibili D-Fi o ad un hub D-Fi Hub.



Assicurarsi di collegare un solo smartphone o tablet per volta.

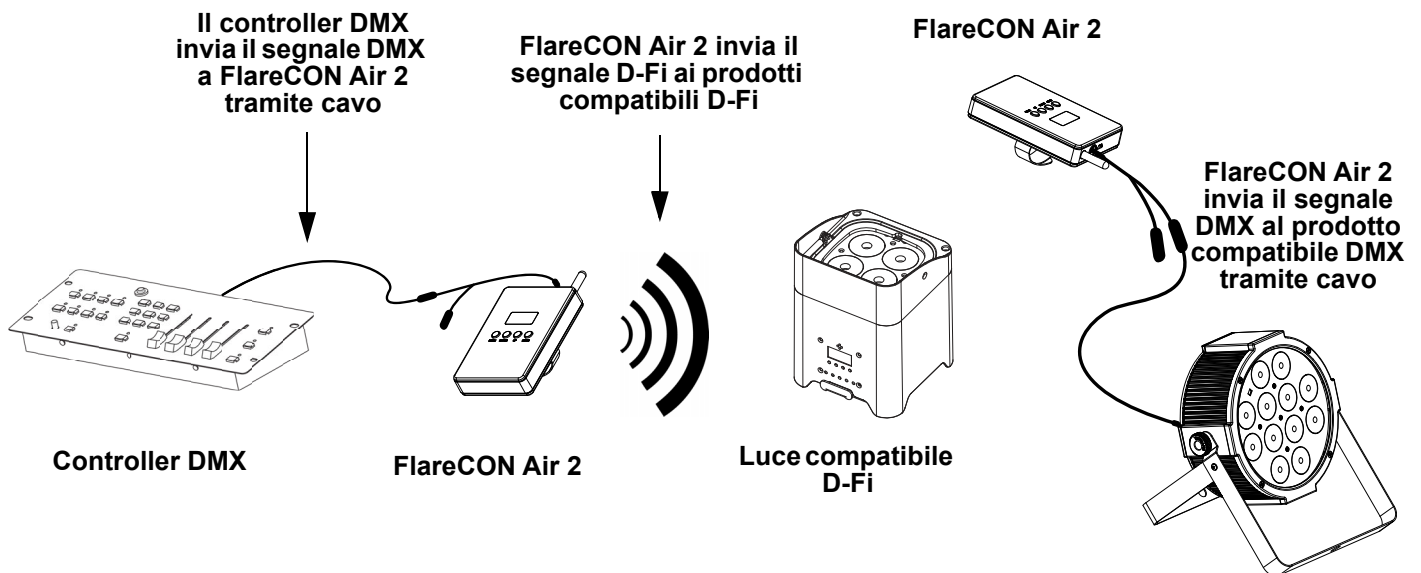


- Il tablet o lo smartphone su cui gira la app FlareCON deve trovarsi entro una distanza massima di 60 metri (200 piedi) da FlareCON Air 2.
- Installare FlareCON Air 2 entro una distanza massima di 120 metri (400 piedi) dalle apparecchiature che ricevono il segnale D-Fi. FlareCON Air 2 funziona meglio se in linea visiva con le apparecchiature D-Fi.

Segnali DMX da un Controller via Cavo

Utilizzato con un controller DMX, FlareCON Air 2 riceve segnali dal controller tramite un cavo DMX. Successivamente, FlareCON Air 2 invia:

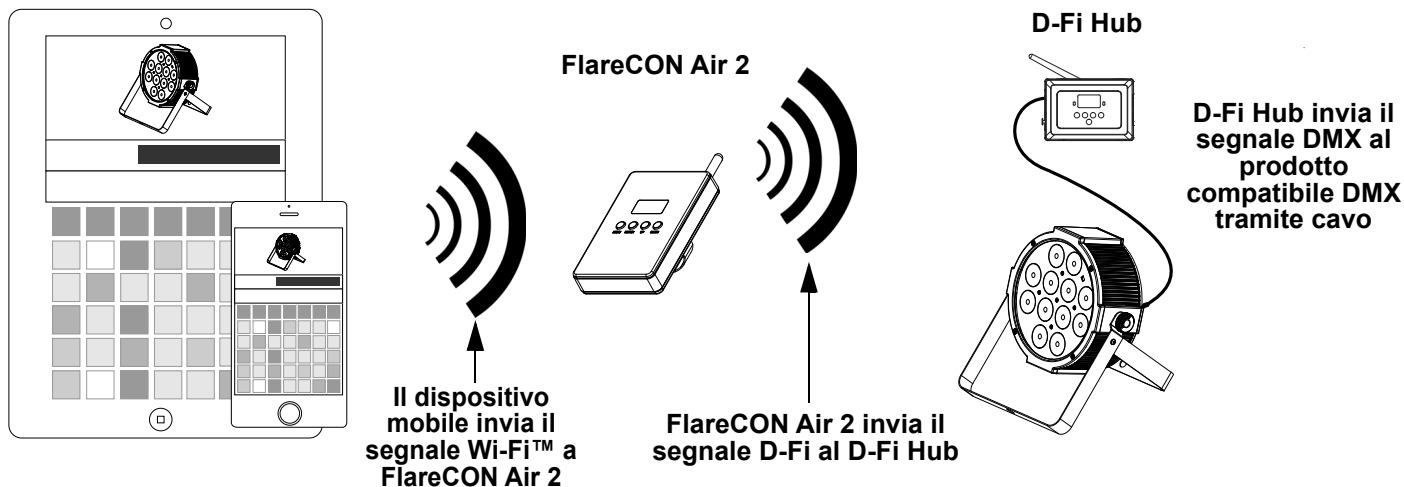
- Segnali wireless D-Fi a luci compatibili D-Fi
- Segnali DMX via cavo DMX collegato a qualsiasi apparecchiatura compatibile DMX



Installare FlareCON Air 2 entro una distanza massima di 120 metri (400 piedi) dalle apparecchiature che ricevono il segnale D-Fi. FlareCON Air 2 funziona meglio se in linea visiva con le apparecchiature D-Fi.

Controllo Wireless con Apparecchiature DMX

Quando si utilizzano luci DMX senza capacità D-Fi, è necessario abbinare FlareCON Air 2 a un hub D-Fi Hub per inviare segnali wireless D-Fi. FlareCON Air 2 crea una rete wireless (Wi-Fi™) per ricevere segnali dal dispositivo mobile ed invia segnali wireless D-Fi allo hub D-Fi Hub. Lo hub D-Fi Hub li converte in segnali DMX e li invia, tramite cavo DMX, alle luci DMX.



Assicurarsi di collegare un solo smartphone o tablet per volta.



- Il tablet o lo smartphone su cui gira la app FlareCON deve trovarsi entro una distanza massima di 60 metri (200 piedi) da FlareCON Air 2.
- Installare FlareCON Air 2 entro una distanza massima di 120 metri (400 piedi) dalle apparecchiature che ricevono il segnale D-Fi. FlareCON Air 2 funziona meglio se in linea visiva con le apparecchiature D-Fi.

Impostare le Apparecchiature con FlareCON Air 2

FlareCON Air 2 consente diverse configurazioni con apparecchiature D-Fi e DMX. Per le specifiche di configurazione durante l'impostazione, fare riferimento agli esempi mostrati nella sezione [Utilizzo di FlareCON Air 2](#).

Per configurare le apparecchiature con FlareCON Air 2 è necessario attenersi ai passaggi descritti di seguito:

1. Collegare FlareCON Air 2 all'alimentazione di rete.
2. Attivare Wi-Fi™ sul proprio dispositivo mobile.



Se la app FlareCON non è ancora installata sul dispositivo mobile, scaricarla ed installarla.

3. Andare alle impostazioni Wi-Fi™ del proprio dispositivo mobile e connetterlo al Wi-Fi™ (SSID) predefinito di FlareCON Air 2. Per le istruzioni vedere [Connessione ad un Dispositivo Mobile](#).
4. Per evitare interferenze con altri segnali wireless nell'area circostante, selezionare manualmente un canale Wi-Fi™ da <CH01> a <CH16> su FlareCON Air 2. Vedere [Selezionare un Canale](#).
5. Impostare le apparecchiature per ricevere il segnale in ingresso da FlareCON Air 2. Per i dettagli fare riferimento ai Manuali utente delle apparecchiature da impostare.
 - Impostare le apparecchiature per ricevere i segnali sullo stesso canale impostato su FlareCON Air 2 nel passaggio precedente.
 - Impostare le apparecchiature nella configurazione DMX più elementare.



Assicurarsi che l'indirizzo di partenza DMX sia impostato su 001.

6. Selezionare la modalità di ricezione segnali di FlareCON Air 2, wireless o via cavo DMX. Vedere [Selezionare una Modalità di Segnale in Ingresso](#).



In caso di apparecchiature DMX, assicurarsi di collegarle con un cavo DMX dall'uscita DMX Out dell'apparecchiatura che trasmette il segnale DMX (a seconda dell'impostazione, FlareCON Air 2 o hub D-Fi Hub) all'ingresso DMX In dell'apparecchiatura ricevente.

7. Dopo aver correttamente collegato le apparecchiature a FlareCON Air 2, ed aver correttamente collegato questo alla app FlareCON, lanciare la app sul dispositivo mobile. Per i dettagli fare riferimento alla sezione [Connessione ad un Dispositivo Mobile](#).

Utilizzando il dispositivo mobile è ora possibile selezionare i colori emessi dalle luci. Per i dettagli relativi all'impostazione delle apparecchiature con FlareCON Air 2 fare riferimento alla sezione che segue [Configurare FlareCON Air 2](#).



Per le istruzioni dettagliate sulla app FlareCON, scaricare il Manuale utente dal sito Web Chauvet <http://www.chauvetdj.com/>.

Configure FlareCON Air 2

La configurazione di FlareCON Air comporta la selezione del canale di funzionamento e della modalità di segnale in ingresso: Wi-Fi™ da un dispositivo mobile o DMX per collegarlo ad un controller.

Selezionare un Canale

È possibile selezionare il canale Wi-Fi™ manualmente o automaticamente. La selezione manuale è più affidabile in aree soggette ad interferenze wireless.

Per selezionare manualmente un canale di funzionamento, procedere come segue:

1. Collegare FlareCON Air all'alimentazione di rete; dovrebbero illuminarsi la spia Rossa ed il display.
2. Premere **<MENU>** fino a visualizzare sul display **Manual Channel**.
3. Premere **<ENTER>**. Viene evidenziato il numero del canale corrente.
4. Utilizzare **<UP>** oppure **<DOWN>** per scorrere i numeri di canale da **<CH01>** a **<CH16>**.
5. Premere **<ENTER>** per selezionare il numero di canale. Utilizzare lo stesso numero di canale impostato come canale di ricezione dell'altra apparecchiatura.

Selezionare una Modalità di Segnale in Ingresso

La selezione della modalità di segnale in ingresso determina come FlareCON Air riceve i segnali di controllo: in modalità Wi-Fi™ dalla app FlareCON, oppure in modalità DMX da un controller DMX o da un'altra sorgente luminosa.

Per impostare la modalità di segnale in ingresso, procedere come segue:

1. Collegare FlareCON Air all'alimentazione di rete; dovrebbero illuminarsi la spia Rossa ed il display.
2. Premere **<MENU>** fino a visualizzare sul display Input Mode.
3. Premere **<ENTER>**. Viene evidenziata la modalità corrente.
4. Utilizzare **<UP>** oppure **<DOWN>** per selezionare la modalità **<WIFI>** o **<DMX >**.
5. Premere **<ENTER>** per impostare la modalità desiderata.

Connessione ad un Dispositivo Mobile

Effettuare la connessione ad un dispositivo mobile soltanto dopo aver configurato FlareCON Air e dopo avervi installato la app FlareCON.

Per completare la connessione al dispositivo mobile, è necessario procedere come segue:

1. Trovare il nome del Wi-Fi™ predefinito di FlareCON Air. Vedere [Trovare il Nome del Wi-Fi™ di FlareCON Air™](#).
2. Utilizzare il nome della rete Wi-Fi™ identificata nel passaggio precedente per selezionarla sul dispositivo mobile. Vedere [Connettersi al Wi-Fi™ di FlareCON Air™](#).



Quando si utilizza uno smartphone o un tablet con sistema operativo Android™, potrebbe essere utile regolare le impostazioni Wi-Fi™ del dispositivo mobile per evitare di perdere la connessione Wi-Fi™ a FlareCON Air. L'esatta dicitura nelle opzioni di configurazione può variare a seconda dello specifico modello di dispositivo mobile. Eseguire uno o più dei passaggi che seguono:

1. **Accedere alle impostazioni Wi-Fi™ dello smartphone o del tablet;**
2. **Deselezionare la funzione che attiva la scansione Wi-Fi™;**
3. **Deselezionare la funzione che commuta automaticamente le reti Wi-Fi™;**
4. **Accedere alle impostazioni Wi-Fi™ dello smartphone o del tablet;**
5. **Selezionare il gestore applicazioni;**
6. **Selezionare ALL (tutti);**
7. **Scorrere e selezionare Wi-Fi™ per azzerare i dati e la cache;**
8. **Scorrere e selezionare Wi-Fi™ Direct Share per azzerare i dati e la cache.**

Per maggiori informazioni relativamente alle opzioni di impostazione Wi-Fi™ del proprio smartphone o tablet, vedere la documentazione fornita.

Trovare il Nome del Wi-Fi™ di FlareCON Air

Per trovare il nome del Wi-Fi™ di FlareCON Air, procedere come segue:

1. Collegare FlareCON Air all'alimentazione di rete; si illumineranno la spia Rossa ed il display.
2. Assicurarsi che sia selezionato un canale (vedere [Selezionare un Canale](#)) e che la modalità di segnale in ingresso sia WIFI (vedere [Selezionare una Modalità di Segnale in Ingresso](#)).
3. Premere **<MENU>** fino a visualizzare sul display Information.
4. Premere **<ENTER>**.
5. Utilizzare **<UP>** oppure **<DOWN>** per visualizzare il nome ed il numero del canale Wi-Fi™ corrente. Utilizzare questo nome predefinito del Wi-Fi™ (SSID) di FlareCON Air per selezionare il Wi-Fi™ sui dispositivi mobili.
6. Premere **<MENU>** per uscire dal menù Information.

Connettersi al Wi-Fi™ di FlareCON Air

Per connettere un dispositivo mobile al Wi-Fi™ di FlareCON Air, procedere come segue:

1. Collegare FlareCON Air all'alimentazione di rete; si illumineranno la spia Rossa ed il display.
2. Assicurarsi che la modalità di segnale in ingresso sia **WIFI**.
3. Per connettere il dispositivo mobile al Wi-Fi™ di FlareCON Air, utilizzarne la funzione Impostazioni per selezionare il nome della rete Wi-Fi™ presentato nella schermata di informazioni di FlareCON Air.
4. Lanciare la app FlareCON. Lo SSID viene visualizzato al centro dello schermo.



Per maggiori informazioni relativamente alle opzioni di connessione del dispositivo mobile ad una rete wireless, consultare la documentazione fornita.

Dopo aver effettuato la connessione è possibile cambiare il nome del Wi-Fi™ predefinito di FlareCON Air nella app FlareCON. Per maggiori informazioni vedere il Manuale utente FlareCON all'indirizzo Web <http://www.chauvetdj.com>.

Collegamento ad un Controller DMX

Per configurare un sistema che utilizza un controller DMX collegato a FlareCON Air per controllare le luci (vedere [Segnali DMX da un Controller via Cavo](#)), procedere come segue:

1. Impostare FlareCON Air per il segnale DMX in ingresso. Vedere [Selezionare una Modalità di Segnale in Ingresso](#).
2. Collegare un cavo DMX dall'uscita DMX Out del controller all'ingresso DMX In di FlareCON Air.
3. Configurare le altre apparecchiature. Vedere [Impostare le Apparecchiature con FlareCON Air](#).

Per informazioni sul funzionamento del controller DMX, consultare il relativo Manuale utente. I Manuali utente dei controller CHAUVET sono disponibili sul sito Web: <http://www.chauvetdj.com>.

Controllare Luci DMX con D-Fi Hub

FlareCON Air può controllare le luci DMX in modalità wireless se utilizzato con un D-Fi Hub.

Per configurare un sistema che utilizza FlareCON Air ed un D-Fi Hub per il controllo wireless di luci DMX, procedere come segue:

1. Configurare i prodotti seguendo le istruzioni contenute in [Impostare le Apparecchiature con FlareCON Air](#) utilizzando un D-Fi Hub come una delle apparecchiature di ricezione wireless.
2. Collegare un cavo DMX dall'uscita DMX Out dello D-Fi Hub all'ingresso DMX In dell'apparecchiatura DMX.

Le informazioni sull'utilizzo dello D-Fi Hub sono disponibili nel relativo manuale sul sito Web Chauvet <http://www.chauvetdj.com>.

Over deze handleiding

De FlareCON Air 2 Beknopte Handleiding (BH) bevat basisinformatie over het product, zoals montage, menu-opties en DMX-waarden. Download de gebruikershandleiding op www.chauvetdj.com voor meer informatie.

Disclaimer

De informatie en specificaties in deze BH kunnen zonder voorafgaande kennisgeving worden gewijzigd.

BEPERKTE GARANTIE

GA NAAR ONZE WEBSITE VOOR REGISTRATIE VAN DE GARANTIE EN DE VOLLEDIGE ALGEMENE VOORWAARDEN.

Voor klanten in de Verenigde Staten en Mexico: www.chauvetlighting.com/warranty-registration.

Voor klanten in het Verenigd Koninkrijk, Ierland, België, Nederland, Luxemburg, Frankrijk en Duitsland:

www.chauvetlighting.eu/warranty-registration.

Chauvet garandeert dat dit product bij normaal gebruik vrij zal blijven van defecten in materiaal en vakmanschap, voor de opgegeven periode en onder voorbehoud van de uitzonderingen en beperkingen die zijn uiteengezet in de volledige beperkte garantie op onze website. Deze garantie geldt uitsluitend voor de oorspronkelijke koper van het product en is niet overdraagbaar. Om onder deze garantie rechten uit te oefenen, moet u een aankoopbewijs overleggen in de vorm van een origineel verkoopbewijs van een geautoriseerde dealer, waarop de naam van het product en de aankoopdatum zichtbaar zijn. **ER ZIJN GEEN ANDERE EXPLICIETE OF IMPLICIETE GARANTIES.** Deze garantie geeft u specifieke wettelijke rechten. Mogelijk heeft u ook andere rechten die van staat tot staat en van land tot land verschillen. Deze garantie is uitsluitend geldig in de Verenigde Staten, het Verenigd Koninkrijk, Ierland, België, Nederland, Luxemburg, Frankrijk, Duitsland en Mexico. Neem contact op met uw lokale verkoper voor garantievoorwaarden in andere landen.

Verklaring van de FCC

Deze apparatuur is getest en voldoet aan de limieten voor een digitaal apparaat van klasse B, volgens Onderdeel 15 van de FCC-regels. Deze limieten zijn ontworpen om een redelijke bescherming tegen schadelijke interferentie in een wooninstallatie te verschaffen. Deze apparatuur genereert gebruiken en kan radiofrequentie-energie uitstralen en kan, als deze niet volgens de instructies geïnstalleerd en gebruikt wordt, schadelijke interferentie voor radiocommunicatie veroorzaken. Dit vormt echter geen garantie dat er zich in een bepaalde installatie geen interferentie zal voordoen. Als deze apparatuur schadelijke interferentie aan radio- of televisieontvangst veroorzaakt, wat bepaald kan worden door de apparatuur aan en uit te zetten, wordt de gebruiker aangeraden om te proberen de interferentie te verhelpen met één of meer van de volgende maatregelen:

1. Het opnieuw richten of verplaatsen van de ontvangstantenne.
2. Het vergoten van de tussenruimte tussen het apparaat en de ontvanger.
3. Het aansluiten van de apparatuur op een stopcontact op een circuit anders dan waarop de ontvanger aangesloten is.
4. Het raadplegen van de dealer of een ervaren radio/tv-monteur voor hulp.

Waarschuwing: Eventuele wijzigingen of aanpassingen die niet uitdrukkelijk door de voor naleving verantwoordelijke partij zijn goedgekeurd, kan de bevoegdheid van de gebruiker om de apparatuur te bedienen ongeldig verklaren. Dit apparaat voldoet aan Part 15 Part B van de FCC-regels. Het gebruik is onderworpen aan de volgende twee voorwaarden: (1) Dit apparaat mag geen schadelijke interferentie veroorzaken en (2) dit apparaat moet enige ontvangen interferentie accepteren, inclusief interferentie die een ongewenste werking kan veroorzaken.

Veiligheidsinstructies

Deze veiligheidsinstructies bevatten belangrijke informatie over de installatie, het gebruik en het onderhoud.



- Dit product is niet bedoeld voor permanente installatie.
- Sluit dit product **UITSLUITEND** op een geaard en beveiligd stroomcircuit.
- Haal voor het schoonmaken altijd de stekker van het product uit het stopcontact en zet het product uit.
- **KIJK NIET** in de lichtbron wanneer het apparaat is ingeschakeld.
- Zorg ervoor dat het stroomsnoer niet knikt of beschadigd.
- Koppel dit product nooit los van het stopcontact door aan het snoer te trekken.
- **GEEN** brandbare materialen in de buurt van de unit tijdens gebruik.
- **RAAK** het product **NIET AAN** wanneer het in werking omdat het dan heet zijn.



- De spanning van het stopcontact waarop u dit product aansluit moet binnen het vermelde bereik op de sticker of achterkant van het product zijn.
- Het product is alleen voor gebruik binnenshuis! (IP20) Om risico op brand of elektrische schokken te voorkomen, mag dit product niet aan regen of vocht worden blootgesteld.
- Zorg ervoor dat er geen ventilatie-openingen van de behuizing van het product worden geblokkeerd.
- Sluit dit product nooit aan op een dimmer of een regelweerstand.
- Gebruik **UITSLUITEND** de ophang-/montagebeugel of de hendels om dit product te dragen.
- De maximale omgevingstemperatuur bedraagt 40 °C. Gebruik dit product niet bij hogere temperaturen.
- Stop in het geval van ernstige operationele problemen onmiddellijk met het gebruik.
- Open het product **NIET**. Het bevat geen te onderhouden onderdelen.
- Om onnodige slijtage te elimineren en zijn levensduur te verlengen, gedurende perioden wanneer het product niet wordt gebruikt, moet u het product afsluiten door een aardlekschakelaar om te zetten of door het te ontkoppelen.

Contact

Van buiten de VS, Verenigd Koninkrijk, Ierland, Frankrijk, Duitsland, Mexico of Benelux kunt u contact opnemen met de distributeur of om ondersteuning vragen dan wel het product retourneren. Ga naar www.chauvetdj.com voor contactinformatie.

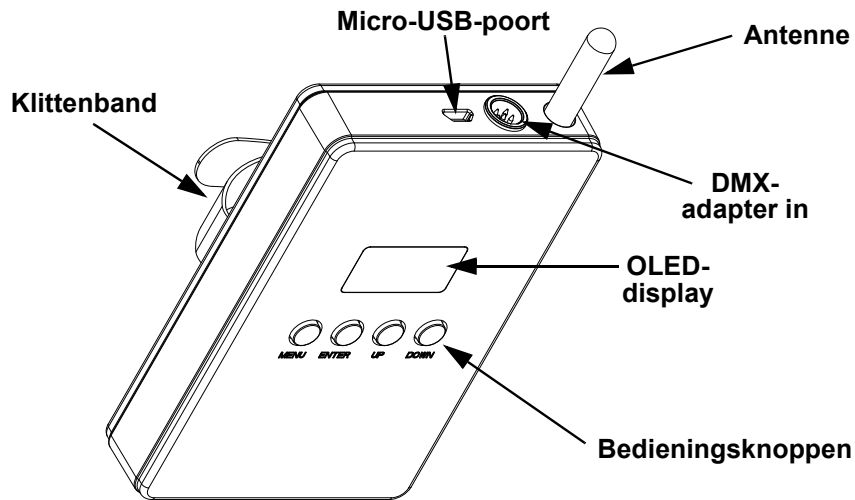
Wat is inbegrepen

- FlareCON Air 2
- Externe stroomvoeding
- USB-kabel
- DMX-adapter
- Beknopte handleiding

Om te beginnen

Pak uw FlareCON Air 2 uit en zorg ervoor dat u alle onderdelen in goede staat hebt ontvangen. Als de doos of inhoud beschadigd lijkt, stel dan de vervoerder onmiddellijk op de hoogte, niet Chauvet.

Productoverzicht



Om het product **AAN** of **UIT** te zetten, houdt u de knoppen <MENU> + <ENTER> 3 seconden ingedrukt.

AC-stroom

Dit product heeft een externe lader met automatisch bereik die kan werken met een ingangsspanning van 100 tot 240 V wisselstroom, 50/60 Hz.



Om onnodige slijtage te elimineren en zijn levensduur te verlengen, gedurende perioden wanneer het product niet wordt gebruikt, moet u het product afsluiten door een aardlekschakelaar om te zetten of door het te ontkoppelen.

Accuvoeding

De FlareCON Air 2 wordt geleverd met een oplaadbare lithiumaccu voor kabelloze werking.

Opladen van de accu

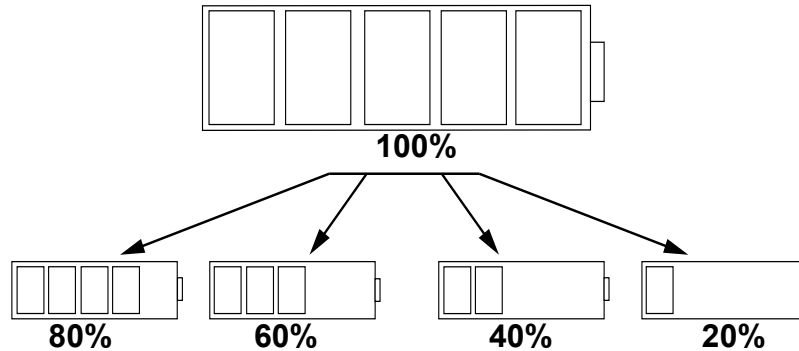
Wanneer de FlareCON Air 2 in de externe lader wordt gestoken en de lader op een stroombron is aangesloten, wordt de accu opgeladen. Als het product is aangesloten en niet in bedrijf is, zorg dat het product is uitgeschakeld.



Bij het gebruiken van de lader, laadt u de FlareCON Air 2 op wanneer de eenheid is uitgeschakeld.

Lampje voor de levensduur van de accu

De lampjes op het LED-menudisplay laten zien hoeveel levensduur van de accu beschikbaar blijft. Onderstaande tekening geeft inzicht tot het lezen van de levensduur van de batterijlampjes.



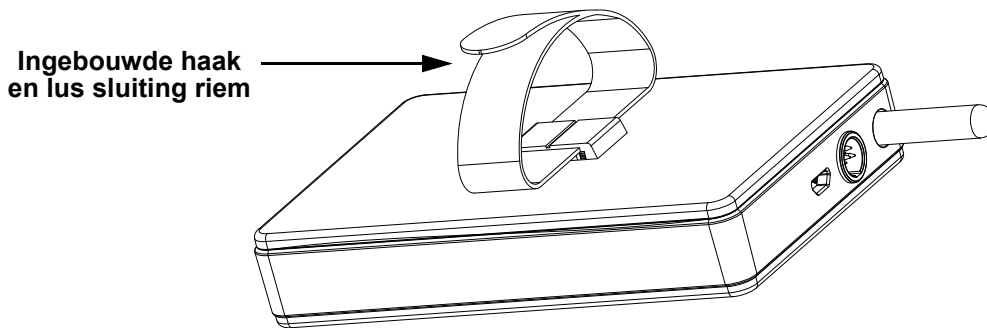
Batterij levensduur

Maximale levensduur (alle kleuren aan)	Heroplaadtijd
Tot 8 uur	4 uur

Montage

Lees alvorens dit product te monteren alle [Veiligheidsinstructies](#).

Montagediagram



Beschrijving bedieningspaneel

Toets	Functie
<MENU>	Sluit het huidige menu of functie af
<UP>	Navigeert omhoog via het menu of verhoogt de numerieke waarde wanneer in een functie
<DOWN>	Navigeert omlaag via het menu of verlaagt de numerieke waarde wanneer in een functie
<ENTER>	Activeert het huidige getoonde menu of plaatst de huidige geselecteerde waarde in de geselecteerde functie

Menukaart

Modus	Programmeerniveaus	Beschrijving
Manual Channel	<CH01-16>	Handmatig selecteert een kanaal voor de D-Fi™ - netwerk
Input Mode	<WIFI>	Stelt de invoermodus in voor de draadloze Wi-Fi™-signaalvoer
	<DMX>	Stelt de invoermodus in voor de bedrade DMX-sigitaalvoer
Back Light	On	Het achtergrondlicht gaat niet uit
	10S	Schakelt na 10 seconden uit
	20S	Schakelt na 20 seconden uit
	30S	Schakelt na 30 seconden uit
Information	Version	Toont de geïnstalleerde softwareversie
	WIFI SSID <Wi-Fi™ naam>	Toont de naam van het huidige Wi-Fi™-netwerk (SSID)
	WIFI Channel <01-16>	Toont het nummer van het huidige kanaal
Factory Reset	No	Resetten naar fabrieksinstellingen
	Yes	

Gebruik van de FlareCON Air 2

De FlareCON Air 2 werkt met het volgende:

- Smartphones en tablets (mobiele toestellen) met de FlareCON-app
- D-Fi-compatibele lampen
- D-Fi Hub
- DMX-regelaars
- DMX-lampen wanneer ze worden gebruikt met een D-Fi Hub of direct worden verbonden met een DMX-kabel

De FlareCON-app is gratis en beschikbaar in de Google™ Play Store of de Apple App Store.



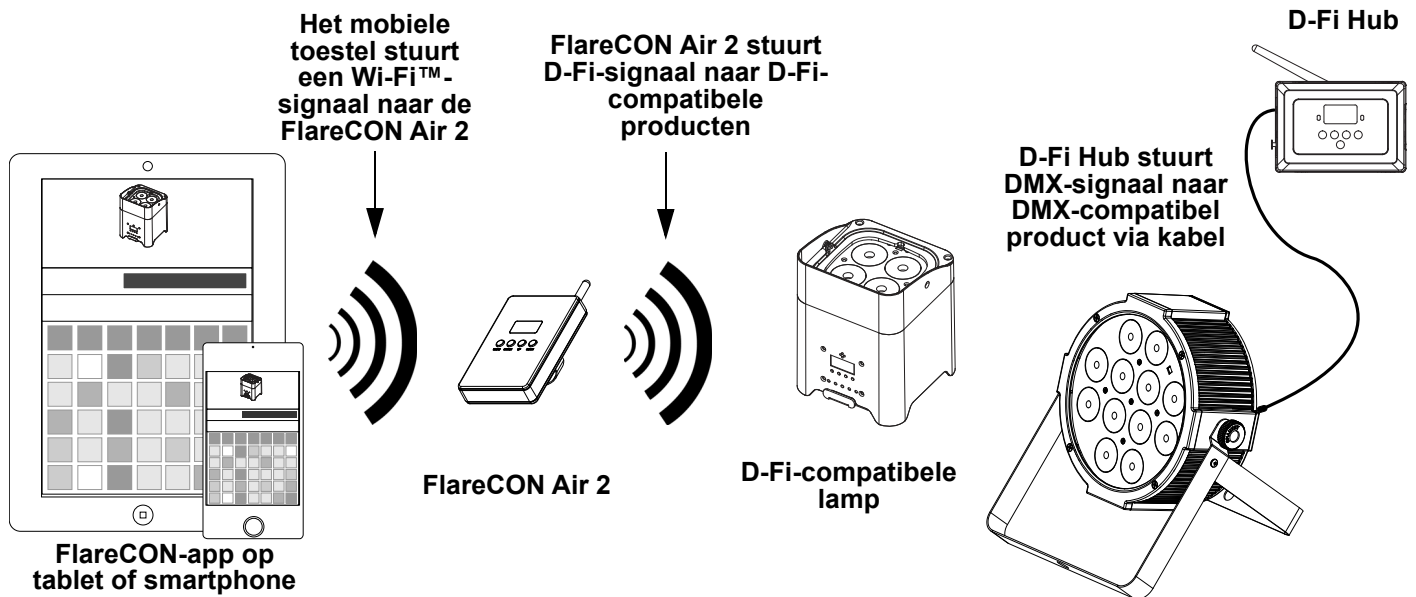
Zorg dat u slechts één mobiel toestel per keer aansluit.



Om het product AAN of UIT te zetten, houdt u de knoppen <MENU> + <ENTER> 3 seconden ingedrukt.

Draadloze D-Fi-signalen

Wanneer FlareCON Air 2 wordt gebruikt met een mobiel toestel creëert het een draadloos netwerk (Wi-Fi™) om de signalen te ontvangen van het mobiele toestel, en daarna stuurt het draadloos D-Fi-signalen naar D-Fi-compatibele lampen of een D-Fi Hub.



Zorg dat u slechts één smartphone of tablet per keer aansluit.

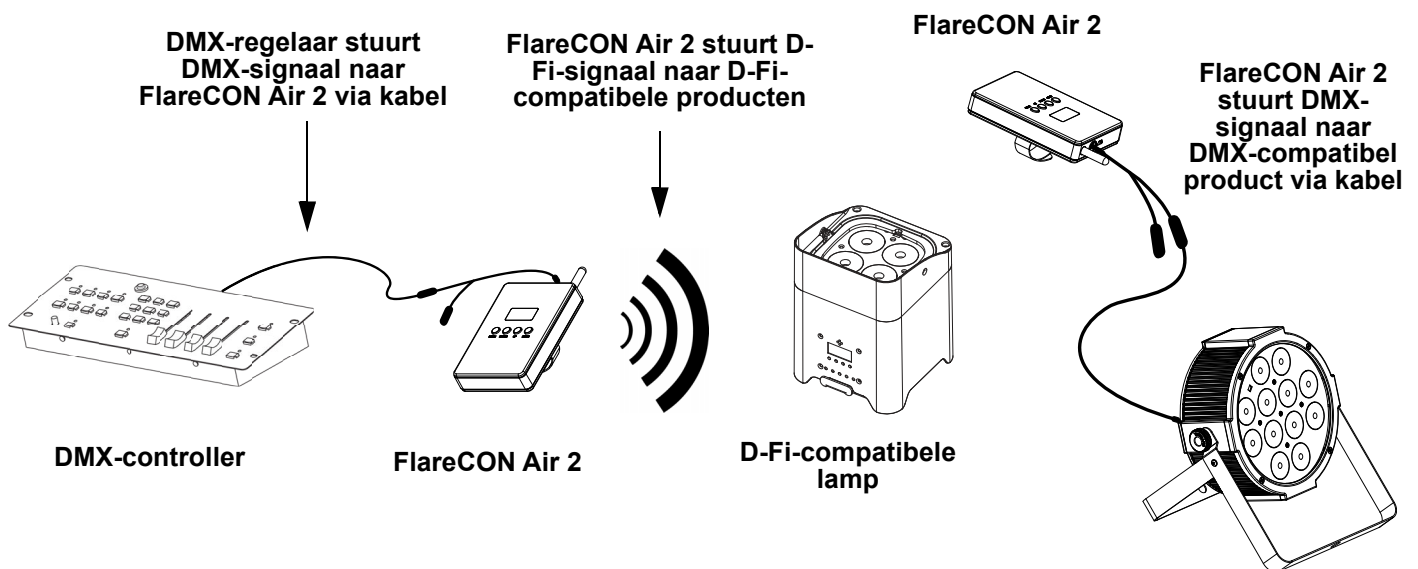


- De tablet of smartphone met de FlareCON-app moet binnen 60 m van de FlareCON Air 2 zijn.
- Installeer FlareCON Air 2 altijd binnen 120 m van de producten die D-Fi ontvangen. FlareCON Air 2 werkt het beste binnen gezichtsafstand van de D-Fi-producten.

DMX-signalen van een regelaar via de kabel

Wanneer FlareCON Air 2 wordt gebruikt met een DMX-regelaar, ontvangt FlareCON Air 2 door een DMX-kabel signalen van de regelaar. FlareCON Air 2 stuurt daarna:

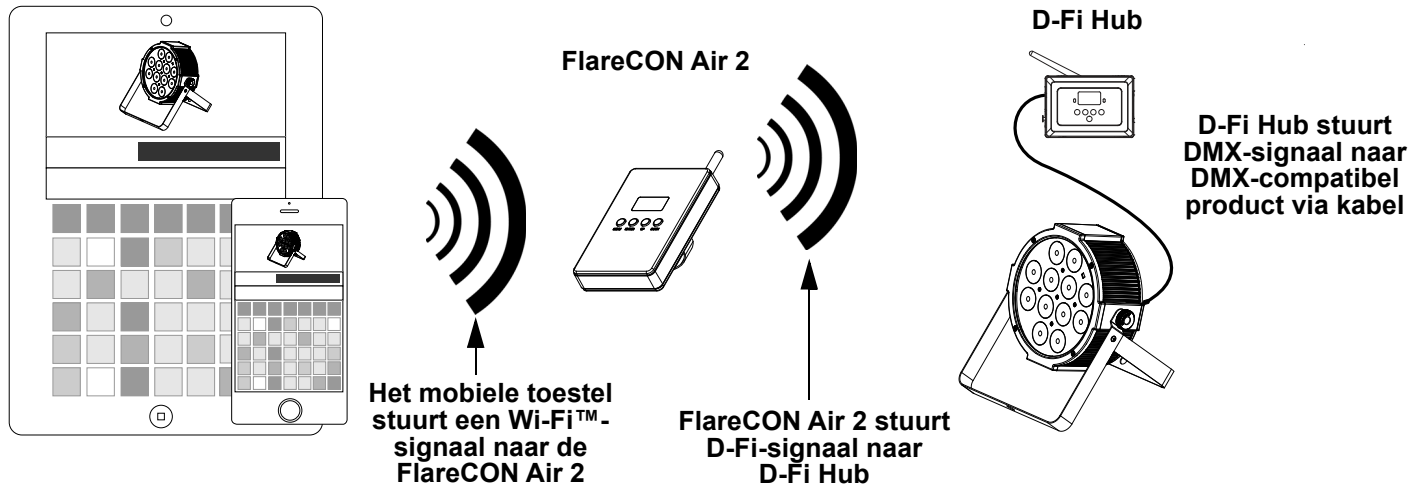
- Draadloos D-Fi-signalen naar D-Fi-compatibele lampen
- DMX-signalen via een DMX-kabel die is verbonden aan een DMX-compatibel product



Installeer FlareCON Air 2 altijd binnen 120 m van de producten die D-Fi ontvangen. FlareCON Air 2 werkt het beste binnen gezichtsafstand van de D-Fi-producten.

Draadloze bediening met DMX-producten

Bij het gebruik van FlareCON Air 2 om draadloos D-Fi-signalen te verzenden bij het gebruik van DMX-lampen die geen D-Fi-optie hebben, moet FlareCON Air 2 worden gebruikt met een D-Fi Hub. De FlareCON Air 2 creëert een draadloos netwerk (Wi-Fi™) om de signalen te ontvangen van het mobiele toestel en stuurt de signalen draadloos naar de D-Fi Hub. D-Fi Hub zet die signalen daarna om naar DMX en stuurt die signalen door een DMX-kabel naar de DMX-lampen.



Zorg dat u slechts één smartphone of tablet per keer aansluit.



- De tablet of smartphone met de FlareCON-app moet binnen 60 m van de FlareCON Air 2 zijn.
- Installeer FlareCON Air 2 altijd binnen 120 m van de producten die D-Fi ontvangen. FlareCON Air 2 werkt het beste binnen gezichtsafstand van de D-Fi-producten.

Instellen van producten met FlareCON Air 2

De FlareCON Air 2 maakt verschillende configuraties mogelijk met D-Fi en DMX-producten. Raadpleeg voorbeelden die zijn afgebeeld in de paragrafen [Gebruik van de FlareCON Air 2](#) voor configuratievereisten in uw opstelling.

Om uw producten te configureren met FlareCON Air 2, voert u de volgende stappen uit:

1. Sluit FlareCON Air 2 aan op de stroom.
2. Schakel Wi-Fi™ in op uw mobiele toestel.



Download en installeer de FlareCON-app op uw mobiele toestel, als u dat nog niet hebt gedaan.

3. Ga naar Wi-Fi™-instellingen op uw mobiele toestel en maak verbinding met FlareCON Air 2's standaard Wi-Fi™ (SSID). Zie [Verbinding maken met een mobiel toestel](#) voor instructies.
4. Om storing te vermijden met andere draadloze signalen in het directe gebied, moet u handmatig het Wi-Fi™-kanaal <CH01> tot <CH16> selecteren op de FlareCON Air 2. Zie [Selecteren van een kanaal](#).
5. Stel uw producten in om een signaalinvoer te ontvangen van FlareCON Air 2. Voor details raadpleegt u de gebruikershandleidingen voor de producten in uw opstelling.
 - Stel producten in om signalen te ontvangen op hetzelfde kanaal dat was ingesteld op FlareCON Air 2 in de vorige stap.
 - Stel producten naar hun meest basale DMX-persoonlijkheid.



Controleer of het DMX-startadres is ingesteld naar 001.

6. Selecteer of FlareCON Air 2 draadloos signalen ontvangt of via een DMX-kabel. Zie [Selecteren van een signaalingsmodus](#).



Voor DMX-producten moet u ervoor zorgen dat u een DMX-kabel gebruikt om verbinding te maken van de DMX-uitgang van het product dat het DMX-signaal verzendt (afhankelijk van uw opstelling, FlareCON Air 2 of D-Fi Hub) aan de DMX-ingang van het product dat het DMX-signaal ontvangt.

7. Nadat uw producten goed zijn verbonden aan FlareCON Air 2 en FlareCON Air 2 goed is verbonden met de FlareCON-app, opent u de FlareCON-app op uw mobiele toestel. Voor details raadpleegt u de paragraaf [Verbinden met een mobiel toestel](#).

Met uw mobiele toestel kunt u nu de kleuren selecteren die door uw lampen worden uitgezonden. Raadpleeg de paragraaf [Configureren van FlareCON Air 2](#) hieronder voor informatie over het instellen van producten met FlareCON Air 2.



Oor gedetailleerde informatie over de werking van de FlareCON-app, downloadt u de gebruikershandleiding van de website van Chauvet op <http://www.chauvetdj.com/>.

Configureren van FlareCON Air 2

Het configureren van FlareCON Air 2 omvat het selecteren van het bedieningskanaal en de ingangsmodus—Wi-Fi™ om het te bedienen vanaf een mobiel toestel of DMX om het op een regelaar aan te sluiten.

Selecteren van een kanaal

Het Wi-Fi™ -kanaal kan handmatig worden geselecteerd. Om een operatiekanaal te selecteren, doet u het volgende:

1. Sluit FlareCON Air 2 aan op de stroom.
2. Druk op <MENU> om naar het hoofdmenu te gaan.
3. Gebruik <UP> of <DOWN> totdat **Manual Channel** is geselecteerd in het display.
4. Druk op <ENTER>.
5. Gebruik <UP> of <DOWN> om door kanaalnummers <CH01> tot <CH16> te bladeren.
6. Druk op <ENTER> om het kanaalnummer te selecteren. Gebruik dit zelfde kanaal om het ontvangstkanaal van de andere producten in te stellen.

Selecteren van een signaalingsmodus

Het selecteren van de signaalingsmodus bepaalt hoe de FlareCON Air 2 bedieningssignalen ontvangt, in Wi-Fi™-modus van de FlareCON-app of in DMX-modus van een DMX-regelaar of een andere lamp.

Doe het volgende om de signaalingsmodus in te stellen:

1. Sluit de FlareCON Air 2 aan op de stroom.
2. Druk op <MENU> om naar het hoofdmenu te gaan.
3. Gebruik <UP> of <DOWN> totdat **Input Mode** is geselecteerd in het display.
4. Druk op <ENTER>.
5. Gebruik <UP> of <DOWN> om de <WIFI> of <DMX >-modus te selecteren.
6. Druk op <ENTER> om de gewenste ingangsmodus te selecteren.

Verbinding maken met een mobiel toestel

Maak alleen verbinding met een mobiel toestel nadat de FlareCON Air 2 is geconfigureerd en nadat de FlareCON-app op het mobiele toestel is geïnstalleerd.

Om de verbinding met uw mobiele toestellen te voltooien, doet u het volgende:

1. Zoek de naam van de standaard Wi-Fi™ van FlareCON Air 2. Zie [Zoeken van de Wi-Fi™-naam van FlareCON Air 2](#).
2. Selecteer de Wi-Fi™-netwerknnaam die in de vorige stap is gevonden op uw mobiele toestel. Zie [Verbinding maken met de Wi-Fi™ van FlareCON Air 2](#).

Bij het gebruik van een smartphone of tablet met het Android™ besturingssysteem, kan het nuttig zijn om de Wi-Fi™-instellingen af te stellen op uw mobiele toestel om het verliezen van de Wi-Fi™-verbinding met de FlareCON Air 2 te vermijden. Afhankelijk van het exacte model van uw mobiele toestel, kan de exacte benaming in uw instellingsopties verschillen. Voer een of beide van het volgende uit:

1. Open Wi-Fi™-instellingen op uw smartphone of tablet.
2. Deselecteer de functionaliteit die het Wi-Fi™-scannen inschakelt.
3. Deselecteer de functionaliteit die de Wi-Fi™-netwerken automatisch schakelt.
4. Open Wi-Fi™-instellingen op uw smartphone of tablet.
5. Selecteer de applicatiebeheerder.
6. Selecteer ALL.
7. Blader naar Wi-Fi™ en selecteer deze om gegevens te wissen en de cache leeg te maken.
8. Blader naar Wi-Fi™ Direct Share en selecteer deze om gegevens te wissen en de cache leeg te maken.

Voor meer informatie over de Wi-Fi™-instellingsopties op uw smartphone of tablet, ziet u de documentatie die bij uw mobiele toestel werd geleverd.



Chauvet raadt aan om lampen al geconfigureerd te hebben en klaar om te reageren voordat u verbinding maakt met een mobiel toestel.

Zoeken van de Wi-Fi™-naam van FlareCON Air 2

Om de Wi-Fi™-naam van de FlareCON Air 2 te zoeken doet u het volgende:

1. Sluit FlareCON Air 2 aan op de stroom.
2. Controleer of een kanaal is geselecteerd (zie [Selecteren van een kanaal](#)) en de ingangsmodus is ingesteld naar WIFI (zie [Selecteren van een signaalingangs-modus](#)).
3. Druk op <MENU> om naar het hoofdmenu te gaan.
4. Gebruik <UP> of <DOWN> totdat **Information** is geselecteerd in het display.
5. Druk op <ENTER>.
6. Gebruik <UP> of <DOWN> om de huidige Wi-Fi™-naam en het kanaalnummer weer te geven. Gebruik deze standaard Wi-Fi™-naam (SSID) van FlareCON Air 2 om de Wi-Fi™ op uw mobiele toestellen te selecteren.
7. Druk op <MENU> om de informatiemenufunctie af te sluiten.

Verbinding maken met de Wi-Fi™ van FlareCON Air 2

Om een mobiel toestel te verbinden met de Wi-Fi™ van de FlareCON Air 2, doet u het volgende:

1. Sluit FlareCON Air 2 aan op de stroom.
2. Controleer of de ingangsmodus is ingesteld naar **WIFI**.
3. Om uw mobiele toestel te verbinden met de Wi-Fi™ van de FlareCON Air 2 gebruikt u de instellingenfunctie van het mobiele toestel om het Wi-Fi™-netwerk te selecteren dat is genoemd in het informatiescherm van de FlareCON Air 2.
4. Open de FlareCON-app. De SSID wordt weergegeven in het midden van het scherm.

 **Na te zijn verbonden kan de naam van de standaard Wi-Fi™ van de FlareCON Air 2 gewijzigd worden in de FlareCON-app. Zie de gebruikershandleiding van FlareCON voor mee informatie. Gebruikershandleidingen zijn beschikbaar op <http://www.chauvetdj.com/>.**

Verbinding maken met een DMX-regelaar

Om een systeem te configureren dat een DMX-regelaar gebruikt die aan FlareCON Air 2 is verbonden om lampen te bedienen (zie DMX-signalen van een regelaar via een kabel), doet u het volgende:

1. Stel de FlareCON Air 2 in voor DMX-invoer. Zie [Selecteren van een signaalingangs-modus](#).
2. Sluit een DMX-kabel aan vanaf de DMX-uitgang van de regelaar op de DMX-ingang van FlareCON Air 2.
3. Configureer de overblijvende producten. Zie [Instellen van producten met FlareCON Air 2](#).

Voor informatie over het bedienen van de DMX-regelaar, ziet u de gebruikershandleiding voor de regelaar. Gebruikershandleidingen voor CHAUVET-regelaars zijn beschikbaar op de website van Chauvet op <http://www.chauvetdj.com/>.

Bedienen van DMX-lampen met D-Fi Hub

FlareCON Air 2 kan draadloos DMX-lampen bedienen wanneer het wordt gebruikt met een D-Fi Hub.

Om een systeem te configureren dat FlareCON Air 2 en een D-Fi Hub gebruikt om draadloos DMX-lampen te bedienen doet u het volgende:

1. Configureer producten zoals is geïnstrueerd in [Instellen van producten met FlareCON Air 2](#) met een D-Fi Hub als één van de draadloos ontvangende producten.
2. Sluit een DMX-kabel aan vanaf de DMX-uitgang van de D-Fi Hub op de DMX-ingang van het DMX-product.

Informatie over het gebruik van D-Fi Hub is te vinden in zijn handleiding op de website van Chauvet op <http://www.chauvetdj.com/>.

Contact Us

General Information	Technical Support
Chauvet World Headquarters	
Address: 5200 NW 108th Ave. Sunrise, FL 33351 Voice: (954) 577-4455 Fax: (954) 929-5560 Toll Free: (800) 762-1084	Voice: (844) 393-7575 Fax: (954) 756-8015 Email: chauvetcs@chauvetlighting.com Website: www.chauvetdj.com
Chauvet Europe Ltd	
Address: Unit 1C Brookhill Road Industrial Estate Pinxton, Nottingham, UK NG16 6NT Voice: +44 (0) 1773 511115 Fax: +44 (0) 1773 511110	Email: UKtech@chauvetlighting.eu Website: www.chauvetdj.eu
Chauvet Europe BVBA	
Address: Stokstraat 18 9770 Kruishoutem Belgium Voice: +32 9 388 93 97	Email: BNLtech@chauvetlighting.eu Website: www.chauvetdj.eu
Chauvet France	
Address: 3, Rue Ampère 91380 Chilly-Mazarin France Voice: +33 1 78 85 33 59	Email: FRtech@chauvetlighting.fr Website: www.chauvetdj.eu
Chauvet Germany	
Address: Bruno-Bürgel-Str. 11 28759 Bremen Germany Voice: +49 421 62 60 20	Email: DEtech@chauvetlighting.de Website: www.chauvetdj.eu
Chauvet Mexico	
Address: Av. de las Partidas 34 - 3B (Entrance by Calle 2) Zona Industrial Lerma Lerma, Edo. de México, CP 52000 Voice: +52 (728) 690-2010	Email: servicio@chauvet.com.mx Website: www.chauvetdj.mx

Visit the applicable website above to verify our contact information and instructions to request support. Outside the U.S., U.K., Ireland, France, Germany, Benelux or Mexico, contact the dealer of record.

FlareCON Air 2 QRG Rev. 5 ML6
© Copyright 2020 Chauvet
All rights reserved
Printed in the P.R.C.

