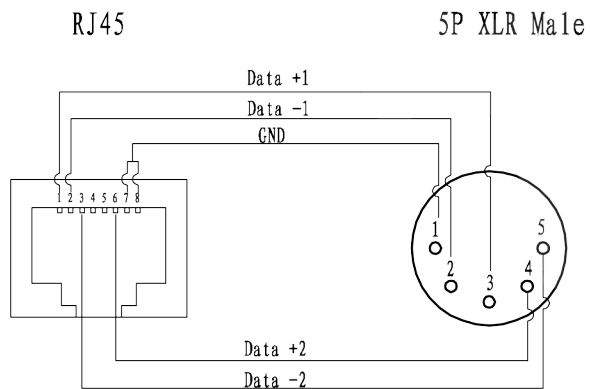
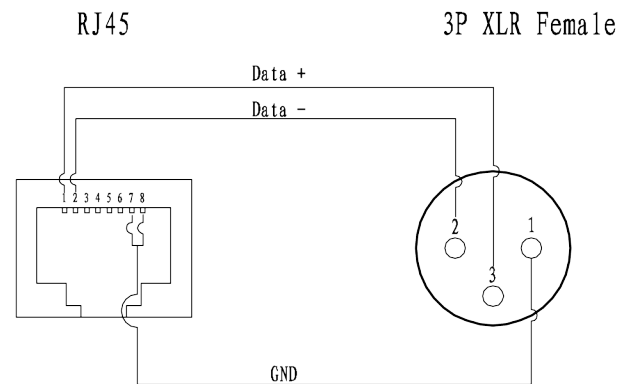


Wiring diagram



RJ45	5P XLR Male
1	3
2	2
3	5
6	4
7	1
8	1

Wiring diagram



RJ45	3P XLR Female
1	3
2	2
7	1
8	1

NO.	ERP	DWG NO.	NAME		QUANTITY	MEATERIAL	REMARK
			NAME	RJ45-XLR adapter	DWG NO.		
					UNIT	mm	
					ERP		
					REV	A	
CHANG TAG	QUANTITY	CHANG.NO	NAME	DATE	GENERAL TOLERANCES (mm)		
DRAWING	Richard	2015.12.01			LENGTH:0-1000 ± 10	WEIGHT	
CHECK					LENGTH:1500-5000 ± 20	CURRENT SHEET	TOTAL SHEETS
PIE					LENGTH:6000-10000 ± 30		
STANDARD					LENGTH:15000-50000 ± 50		
ERP				SIZE			
APPROVE							