

## 产品规格书

产品类型 卡侬插头 (XLR Cable Connectors)  
Product type \_\_\_\_\_

产品型号 SCWM3-B  
Product NO. \_\_\_\_\_

客户型号 \_\_\_\_\_  
Product NO. \_\_\_\_\_

生产方	核准 (APPROVAL)	审核 (AUDIT)	制作 (COMPILE)
Manufacturer			

客户方	核准 (APPROVAL)	审核 (AUDIT)	承认 (ACCEPT)
(Customer)			

## 一、SCWM3-B 产品外观 (Product Appearance)



## 二、产品特性 (Product features)

- ✓ 防水卡侬连接器系列，用于户外防水等级 IP65。  
Waterproof XLR connector range for outdoor waterproof class IP65.
- ✓ 坚固的锌压铸外壳，寿命长，可靠性高。  
Strong zinc die-casting shell, long life and high reliability.
- ✓ 金属外壳使用内螺纹设计，确保其在任何使用现场情况下承受重力压迫。  
Metal housing with inner thread increases retention force and makes assembly easier and faster.
- ✓ 彩色尾套用于编码和识别。  
Colored boots available for coding or identification.
- ✓ 尾套带聚氨酯密封套，更大限度防止电缆受弯曲压影响。  
Boot with polyurethane gland gives high protection to cable bending stresses.

## 三、技术参数 (Technical parameters)

### 1. 产品参数 (Product parameters)

连接类型( Connection Type)	XLR
公母性( Gender)	male

### 2. 电气参数 (Electrical parameters)

触点间电容 (Capacitance between contacts)	≤4pF
接触电阻 (Contact resistance )	≤3mΩ
介电强度 (Dielectric strength )	1.5kVdc

绝缘电阻 (Insulation resistance)	>10GΩ (initial)
每触点间额定电流(Rated current per contact)	16A
额定电压(Rated voltage)	<50V

### 3.机械参数 (Mechanical parameters)

电缆线径 (Sign Cable O.D. )	5-8mm
插入力 (Insertion force)	≤ 20N
拔出力 (Withdrawal force)	≤ 20N
使用寿命 (Service life)	> 1000 mating cycles
电线尺寸 (Wire size)	Max. 2.5 mm <sup>2</sup>
电线尺寸 (Wire size)	Max. 14 AWG
锁定装置 (Locking device)	Latch lock

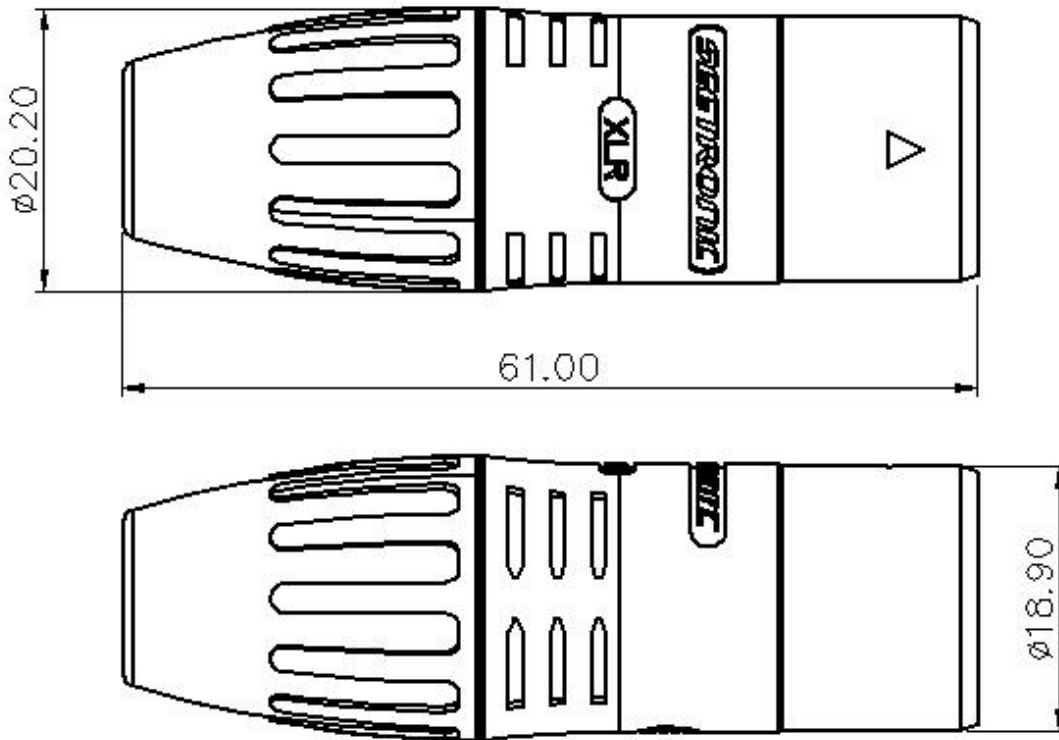
### 4.材料和环境 (Material and environmental parameters)

尾套 (Boot)	Polyurethan
触点 (Contacts)	Cu alloy
触点电镀 (Contact plating )	Au
内芯 (Insert)	Polyamide (PA 66 +30 % GF)
外壳 (Shell)	Zinc diecast (ZnAl4Cu1)
外壳电镀 (Shell plating)	Black coating
线夹 (Strain relief)	Polyacetal (POM)
阻燃等级 (Flame-retardant grade)	UL 94 HB
防护等级 (Protection class)	IP65
使用温度范围 (Temperature range)	-30°C to +80°C

### 5.标准和规范 (Standard)

标准 (Standard)	IEC 61076-2-103
可焊性 (Solderability)	Complies with IEC 68-2-20

## 四、产品外形尺寸 (Product Profile)



单位: mm

## 五、安装使用说明 (Installation instructions)

