

Neets **EasyConnect**

Installation Manual





Foreword

Neets EasyConnect solves one of the most common and frustrating problems encountered in AV presentations. When a guest presenter wants to connect a laptop computer, all too often the proper cables cannot be found, or they have the wrong length, or the connection point is hidden away in a floor pocket or wall panel.

Cables are terminated at both ends for easy disconnection and re-connection, allowing use in podiums that occasionally must be relocated or removed for storage.

The EasyConnect enclosure also incorporates space for seamless integration of Neets Control Echo, Echo Plus, or SieRRa II. With integrated control, starting a presentation is quick and frustration-free. Simply plug in the required cables, press the corresponding control buttons, and your presentation is running in a matter of seconds!

COPYRIGHT - All information contained in this manual is the intellectual property and copyrighted material of Neets. All rights are reserved. You may not allow any third party access to content, information or data in this manual without Neets' express written consent.

CHANGES - Neets reserve the right to change the specification and functions of this product without any notice.

Questions, **AFTER** reading this manual, can be addressed to your local dealer or:

Neets
Langballe 4
8700 Horsens
Denmark

by email: Support@Neets.dk or you may use our contact form at www.neets.io

Important Safety Instructions

Caution:

Read these instructions:

Read and understand all safety and operating instructions before using the equipment.

Keep these Instructions:

The safety instructions should be kept for future reference.

Heed all Warnings:

Follow all warnings and instructions marked on the equipment or in the user information.

Avoid Attachments:

Do not use tools or attachments that are not recommended, because they may be hazardous

Warning!:

- This equipment should be operated only from the included power supply.
- To remove power from the equipment safely, remove all power cords from the rear of the equipment, or the desktop power module (if detachable), or from the power source receptacle (wall plug).
- Power cords should be routed so that they are not likely to be stepped on or pinched by items placed upon or against them.
- Do not defeat the safety purpose of a polarized or grounding-type plug. A polarized plug has two blades with one wider than the other. A grounding-type plug has two blades and a third grounding prong. The wide blade or the third prong is provided for your safety. If the provided plug does not fit into your outlet, consult an electrician for replacement of the obsolete outlet.
- Unplug this apparatus during lightning storms or when unused for long periods of time.
- Refer all servicing to qualified service personnel. There are no user-serviceable parts inside. To prevent the risk of shock, do not attempt to service this equipment yourself because opening or removing covers may expose you to dangerous voltage or other hazards. Contact your local Neets reseller or distributor.
- If the equipment has slots or holes in the enclosure, these are provided to prevent overheating of sensitive components inside. These openings must never be blocked by other objects.
- Do not use this equipment near water.
- To reduce the risk of fire or electric shock, do not expose this apparatus to rain or moisture and objects filled with liquids.
- Unplug the product before cleaning. Clean only with a dry cloth and not cleaning fluid or aerosols. Such products could enter the unit and cause damage, fire, or electric shock. Some substances may also mar the finish of the product.

FCC Class A Notice:

This equipment has been tested and found to comply with the limits for a Class A digital device, pursuant to part 15 of the FCC Rules. Operation is subject to the following two conditions:

1. This device may not cause harmful interference.
2. This device must accept any interference received, including interference that may cause undesired operation.
The Class A limits are designed to provide reasonable protection against harmful interference when the equipment is operated in a commercial environment. This equipment generates, uses, and can radiate radio frequency energy and, if not installed and used in accordance with the instruction manual, may cause harmful interference to radio communications. Operation of this equipment in a residential area is likely to cause harmful interference, in which case the user will be required to correct the interference at his own expense.

FCC regulations state that any unauthorized changes or modifications to this equipment, not expressly approved by the manufacturer, could void the user's authority to operate this equipment.

The lightning bolt triangle is used to alert the user to the presence of uninsulated "dangerous voltages" within the unit's chassis that may be of sufficient magnitude to constitute a risk of electric shock to humans.



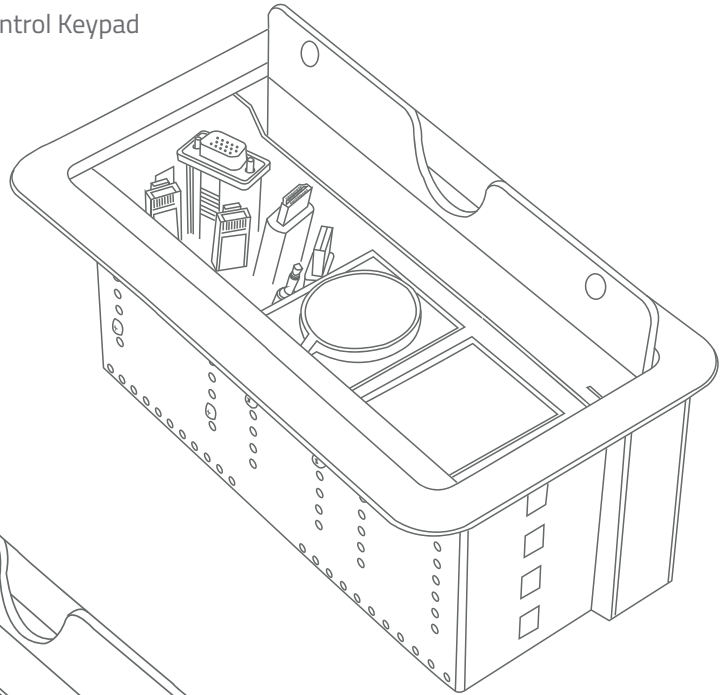
The exclamation point triangle is used to alert the user to presence of important operating and service instructions in the literature accompanying the product.



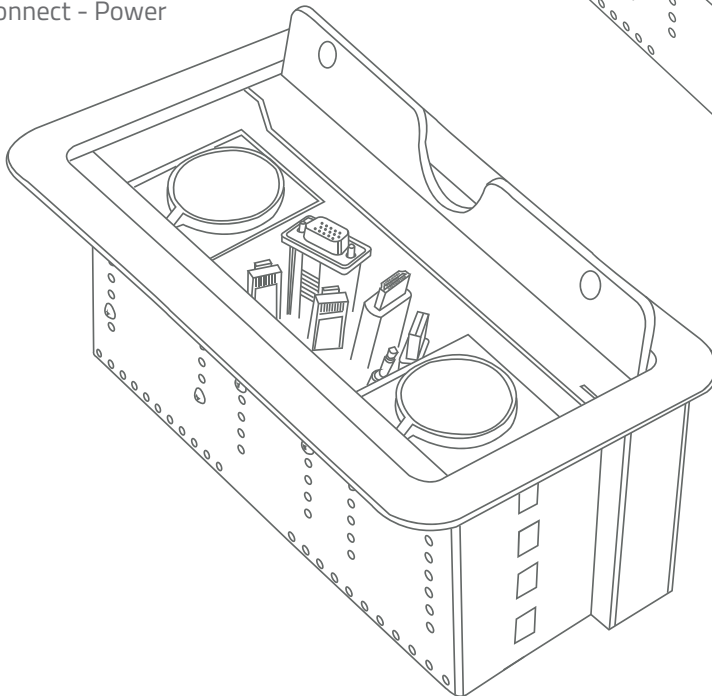
The exclamation point triangle is used to alert the user to presence of important operating and service instructions in the literature accompanying the product.

Routing and connecting cables:

Neets EasyConnect - for Neets Control Keypad



Neets EasyConnect - Power



Caution:
Risk of electric shock
Max power output 10A

- Check with local and state regulations before starting the installation
- Check all parts and equipment before installation

Contents

- Foreword.....2
- Important Safety Instructions.....3
- Contents5
- Description6
- EasyConnect Components.....7
- Installation Procedure.....8
 - Step 1: Prepare opening8
 - Step 2: Adjust depth of connector plate.....8
 - Step 3: Evaluate cable connection procedure / connect cables9
 - Step 4: Insert the unit9
 - Step 5: Secure the unit9
 - Step 6: Complete cable terminations and connections.....9
 - Step 7: Install Neets Control - EcHo, EcHo Plus or SieRRa II control module10
- Specifications.....11



Description

Neets EasyConnect is a high-quality cable housing box designed for recessed mounting in a tabletop, podium or other furniture surface in classrooms, board rooms and conference rooms. It contains six connector cables that pull out smoothly for quick connectivity and then disappear below the box for uncluttered storage. The top cover plate slides into its own recessed slot to hide out of the way when cables are in use.

EasyConnect is constructed from black anodized aluminum for years of reliable service. It includes a built-in AC line outlet (with proper socket connector for country of delivery) for powering an external computer or other device, and is CE certified.

The depth of the connector collar panel is adjustable, allowing optimum depth to suit various connector types and sizes.

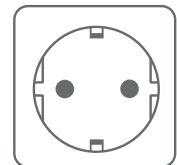
EasyConnect is delivered with the following cables:

- 1 x HDMI
- 1 x 3.5mm audio
- 1 x VGA
- 2 x Cat-6 RJ45
- 1 x USB-A

All cables are 1,7 m long with identical terminations at each end.

Neets EasyConnect - for Contorl Keypad is available in 4 versions: prepared for Neets Control Keypads (EcHo, EcHo Plus, SieRRa II)

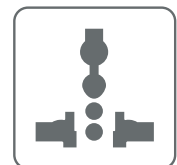
5009-005	Neets EasyConnect - for Neets Control Keypad - EU Power Outlet
5009-006	Neets EasyConnect - for Neets Control Keypad - UNI Power Outlet
5009-007	Neets EasyConnect - for Neets Control Keypad - DK Power Outlet
5009-020	Neets EasyConnect - for Neets Control Keypad - CH Power Outlet



EU "schuko" power socket



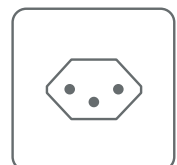
Danish power socket



Universal power socket

Neets EasyConnect - Power is available in 4 versions:

305-0250	Neets EasyConnect - Power EU, Dual Power Outlet
305-0251	Neets EasyConnect - Power DK, Dual Power Outlet
305-0252	Neets EasyConnect - Power UNI, Dual Power Outlet
305-0255	Neets EasyConnect - Power CH, Dual Power Outlet



Swiss power socket

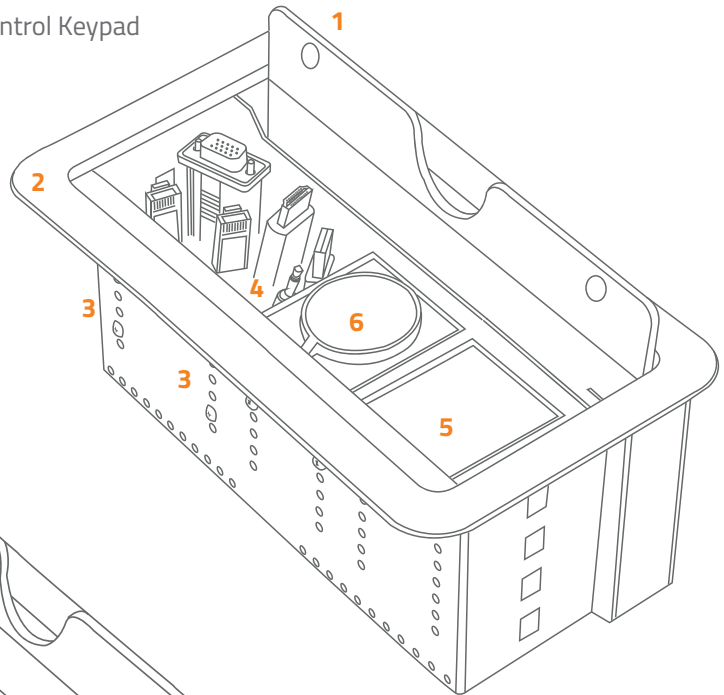
Accessories:

305-0299	Neets - EasyConnect Cable Bag Black Canvas
----------	--

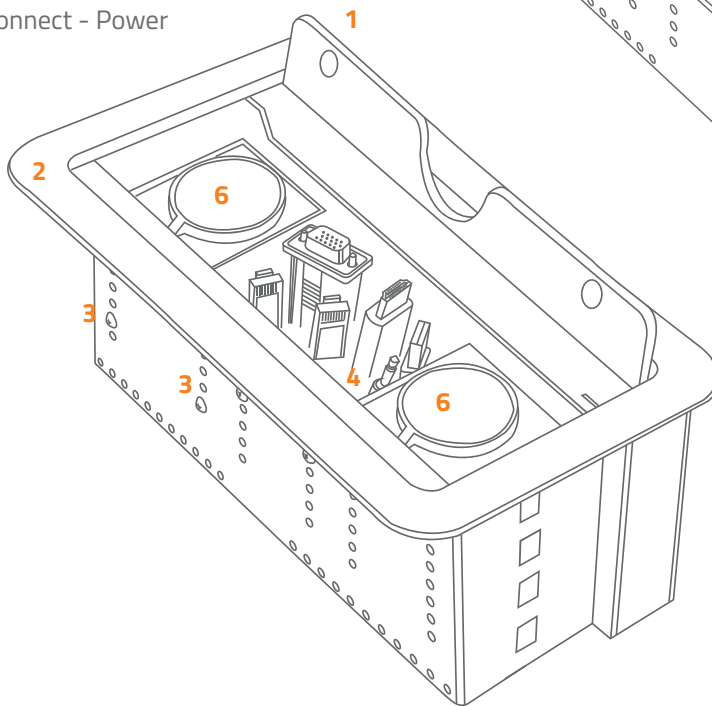
EasyConnect Components

There are 3 different groups of EasyConnect. One prepared for Neets control keypads (EcHo, EcHo Plus and SiERRa II), and one with two power plugs.

Neets EasyConnect - for Neets Control Keypad



Neets EasyConnect - Power



Number:	Description
1	Sturdy retractable lid - Opens and closes manually. All connectors are covered when closed, leaving a solid flat surface with only a small opening for lifting the cover
2	Outer flange - Fits over mounting surface for clean appearance
3	Height adjustment screws – Adjusts height of internal connector plate
4	Connector box - Provides space for up to six AV connectors
5	Frame for Neets Control – EcHo, Echo Plus or SiERRa II (EU control system)
6	Built-in AC line Outlet with either EU, DK, UNI, or CH power socket

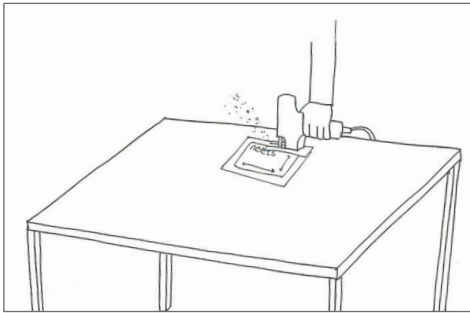
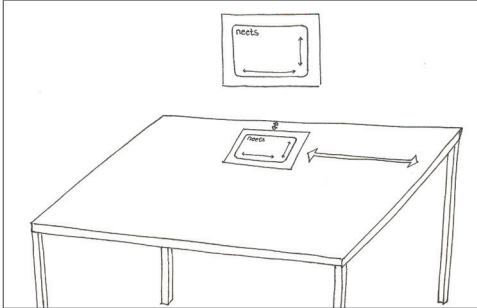
Installation Procedure

Step 1: Prepare opening

Using appropriate tools, cut an opening in the mounting surface with the dimensions shown on the supplied cutout template. The template is found in the cardboard box.

Remove the back of the template and stick it on the mounting surface (also used to protect when cutting).

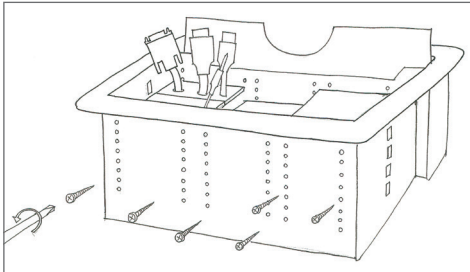
Cut according to markings using appropriate tools, e.g. a jigsaw.



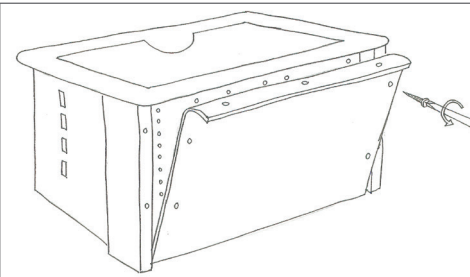
Step 2: Adjust depth of connector plate

If you need a different depth of the plates inside the box you can adjust them as here bellow.

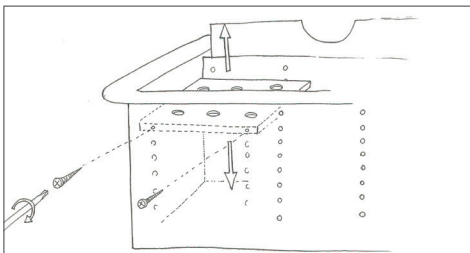
Remove the height adjustment screws.



Turn the unit and then remove back cover and the height adjustment screws.



Supporting the connector plate from underneath with your fingers, bring the connector plate to the required position. Then replace and tighten the height adjustment screws.

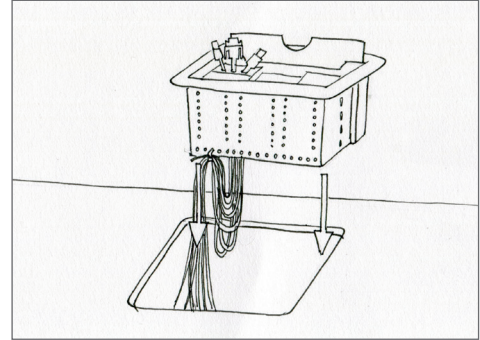


Step 3: Evaluate cable connection procedure/ connect cables

Will it be easier to connect cables to the Neets EasyConnect before mounting it into the tabletop?
YES - then make some or all cable connections before mounting EasyConnect do step 6 and 7 first and then continue with step 4. NO - then continue with step 4.

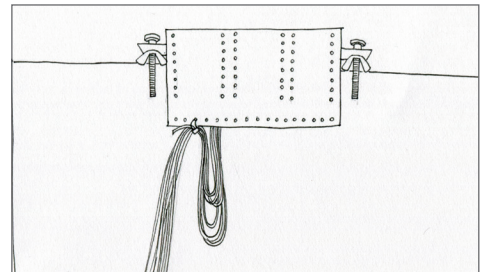
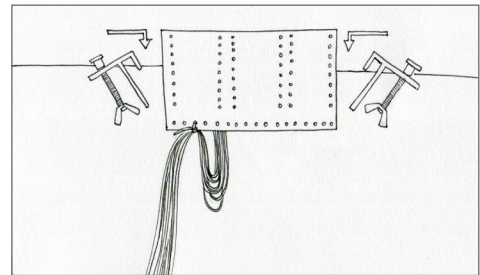
Step 4: Insert the unit

Carefully slide the EasyConnect unit into the opening in the mounting surface.



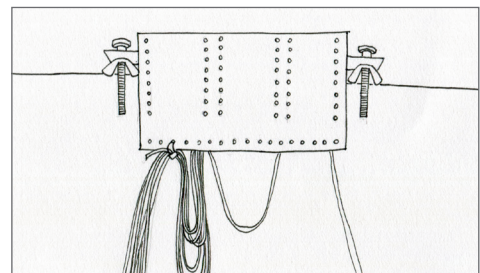
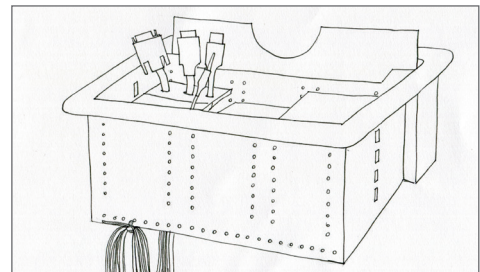
Step 5: Secure the unit

Working underneath the table surface, place the mounting brackets into the slots on each side of the unit. Verify proper alignment before tightening the mounting screws. Turn screws until the top nut contacts the mounting surface. Tighten firmly.
NOTICE: maximum thickness of table plate 60 mm



Step 6: Complete cable terminations and connections

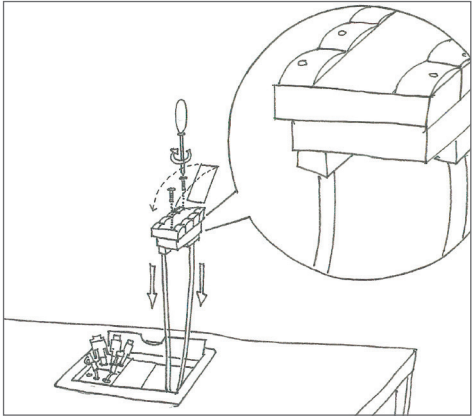
Complete any terminations and connections not done in step 3 above. You can tighten the cables with strips to the lower part of the EasyConnect.



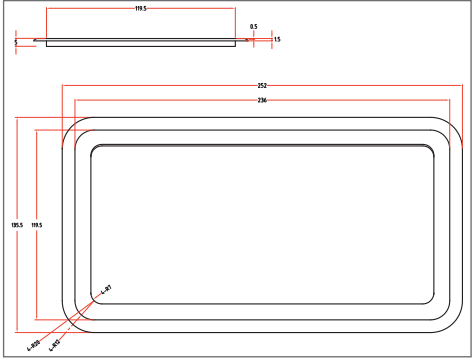


Step 7: Install Neets Control - EcHo, EcHo Plus, or SieRRa II control module (Power version: skip this step)

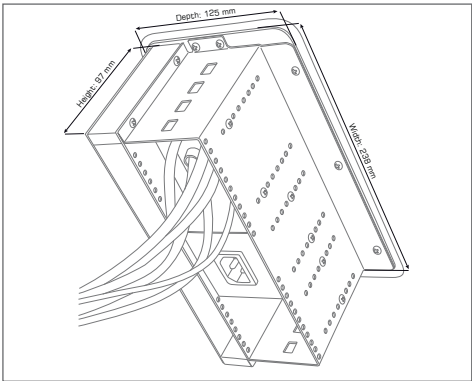
Please connect all cables to the used control system (Neets Control - EcHo, Neets Control - EcHo Plus or Neets Control - SieRRa II) the 12 Volt DC for the control system is supplied from the Neets EasyConnect unit. Remember the included (in the cardboard box) frame for the control system.



Top plate dimensions:



Recessed box dimensions:



Specifications

All Units:

Enclosure type:	Metal (steel box with cast aluminum top and lid Sliding cover with cable pass-through
Default cables:	HDMI, VGA, 3,5 mm audio, USB-A, Cat-5 type (RJ45)
AC power connector:	EU, Universal, DK or CH power connector
Max power output	10A

Dimensions:

Recessed box:	
Width:	235 mm/ 9,25 inches
Depth:	89,5 mm/ 3,52 inches
Height:	103 mm/ 4,05 inches
Top plate:	
Width:	252 mm/ 20,7 inches
Depth:	135,5 mm/ 5,3 inches
Height:	1,5 mm/ 0,06 inches
Weight:	2,15 kg

Neets EasyConnect - Power:

Two EU, Universal, DK, or CH power socket

Neets EasyConnect - for Neets Control Keypad:

Direct access to AV control functions w/ Neets Control EcHo, Echo Plus or SieRRa II integration.
Direct-out 12V power supply.

Product item numbers:

5009-005 EasyConnect - for Neets Control Keypad, EU Power Outlet
5009-006 EasyConnect - for Neets Control Keypad, UNI Power Outlet
5009-007 EasyConnect - for Neets Control Keypad, DK Power Outlet
5009-020 EasyConnect - for Neets Control Keypad, CH Power Outlet
305-0250 EasyConnect - Power EU, Dual Power Outlet
305-0251 EasyConnect - Power DK, Dual Power Outlet
305-0252 EasyConnect - Power UNI, Dual Power Outlet
305-0255 EasyConnect - Power CH, Dual Power Outlet



Learn more at neets.io

Visit our website neets.io for additional information about the product and the latest firmware.

Neets A/S | Langballe 4, 8700 Horsens, Denmark | +45 75 666 099 | sales@neets.dk | www.neets.io
