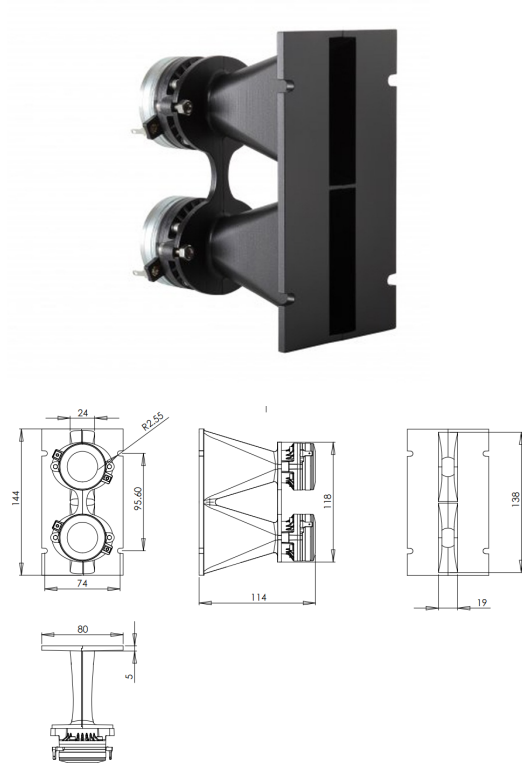
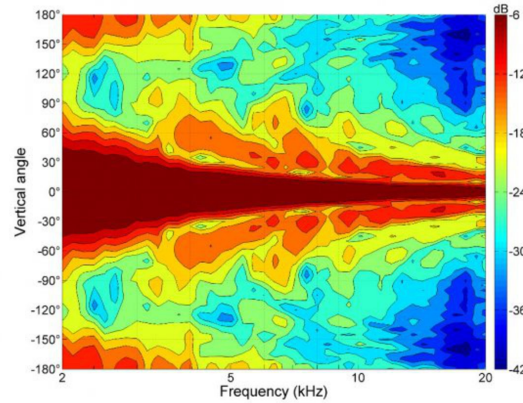
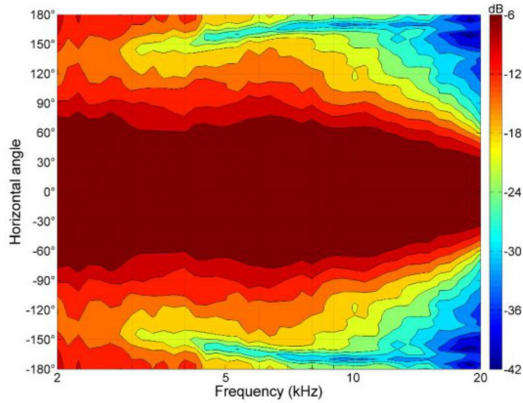
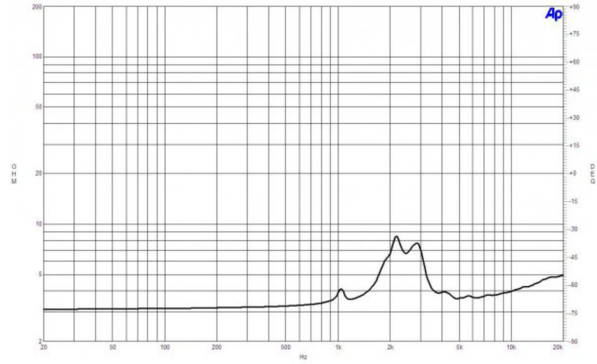
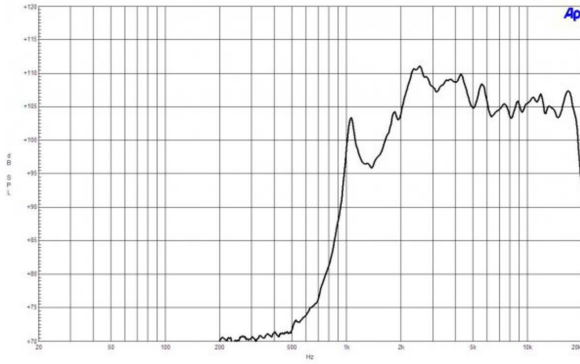


Horn/Driver Combinations - 0.75 Inches



- Line Array optimized Waveguide with two DE7 drivers
- 150° max horizontal coverage
- 40 W continuous program power capacity
- 25 mm (1 in) aluminium voice coil
- Mylar diaphragm
- 2000 - 18000 Hz response
- 107 dB sensitivity
- Compact Neodymium magnet assembly

Wave guide horn not sold separately
Available exclusively with 4.8+2.8 mm fast-on terminal tab



SPECIFICATIONS¹

Nominal Impedance	4 Ω
Horizontal Coverage	150 ° Max
Active Radiating Factor	94.7 %
Waveguide Material	ABS

SPECIFICATIONS HF UNIT

Minimum Impedance	3.6 Ω
Nominal Power Handling ²	20 W
Continuous power handling ³	40 W
Sensitivity (1W/1m) ⁴	107.0 dB
Frequency Range	2.0 - 18.0 kHz
Voice Coil Diameter	25 mm (1.0 in)
Flux Density	1.65 T
Recommended Crossover ⁵	2.0 kHz
Winding Material	Aluminium
Diaphragm Material	Mylar
Magnet Material	Neodymium Ring

MOUNTING AND SHIPPING INFO

Exit Size	138x19 mm (5.43x0.75 in)
Driver Diameter	46 mm (1.8 in)
Dimensions	144x114x80 mm (5.7x4.5x3.2 in)
Net Weight	0.49 kg (1.07 lb)
Shipping Units	1
Shipping Weight	0.55 kg (1.2 lb)
Shipping Box	150x130x90 mm (5.91x5.12x3.54 in)

1. Data measured with two 8 ohm drivers in parallel connection
2. 2 hour test made with continuous pink noise signal (6 dB crest factor) within the range from the recommended crossover frequency to 20 kHz. Power calculated on rated minimum impedance.
3. Power on Continuous Program is defined as 3 dB greater than the Nominal rating.
4. Applied RMS Voltage is set to 2 V for 4 ohm Nominal Impedance.
5. 12 dB/oct. Or higher slope high-pass filter.