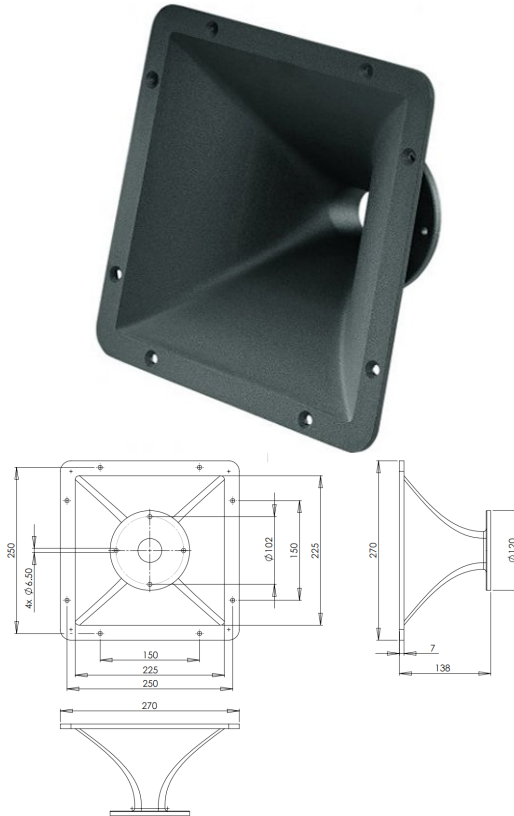


ME90

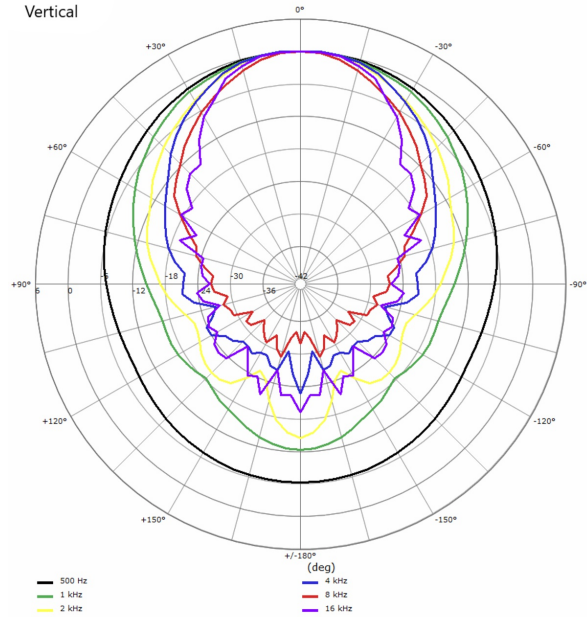
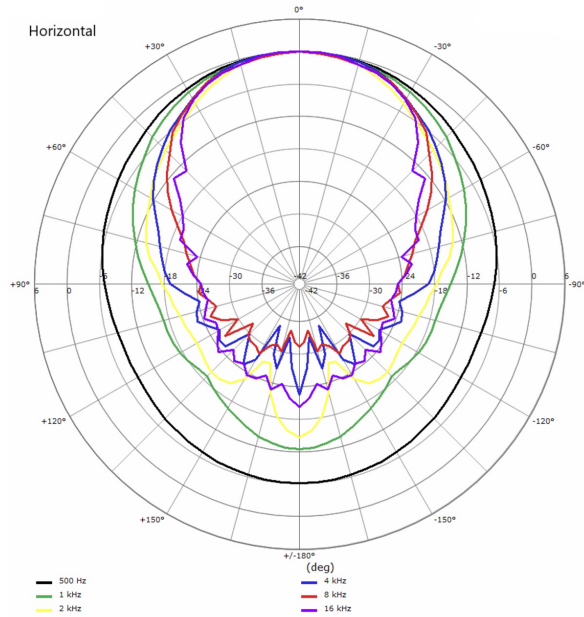
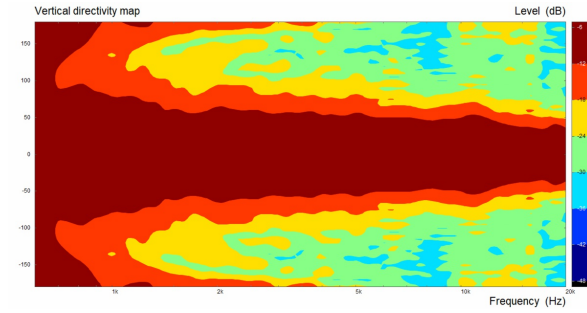
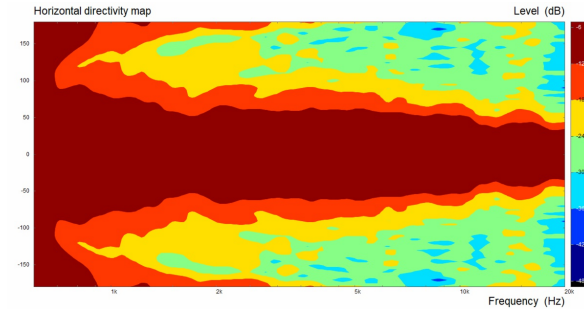
0Ω

Horns - 1.4 Inches

- 1.4" throat entry
- 80° x 60° nominal coverage
- Constant Directivity
- Excellent loading down to 900 Hz

ME90

Horns- 1.4 Inches



SPECIFICATIONS¹

Throat Diameter	36 mm (1.4 in)
Nominal Coverage Horizontal	80 °
Nominal Coverage Vertical	60 °
Cutoff Frequency	0.9 kHz
Material	Cast Aluminium
Dimensions	270x270x138 mm (10.6x10.6x5.4 in)

MOUNTING AND SHIPPING INFO

Baffle Cutout Dimension	225x225 mm (8.86x8.86 in)
Air Volume Occupied by Driver	0.42 dm ³ (0.01 ft ³)
Net Weight	1.45 kg (3.19 lb)
Shipping Units	1
Shipping Weight	2.05 kg (4.52 lb)
Shipping Box	295x314x175 mm (11.61x12.36x6.89 in)
Other Details	4x 6.5 mm (0.255 in) holes 90° on 102 mm (4 in) diameter

1. Horn mounted on B&C DE 900 compression driver.