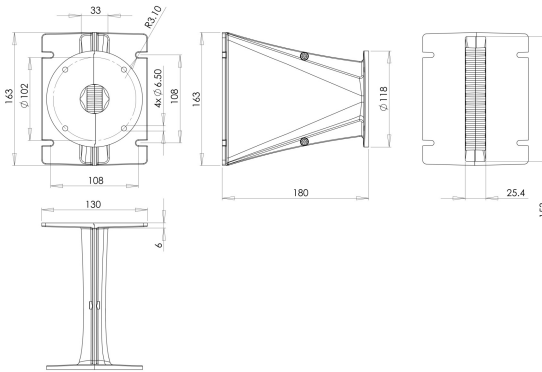
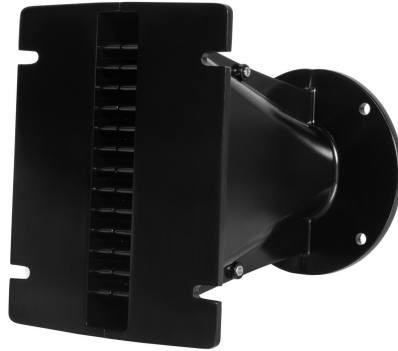
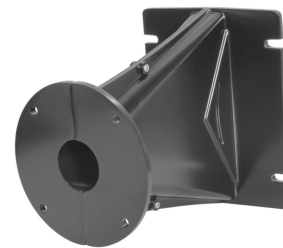


# ME142

0Ω

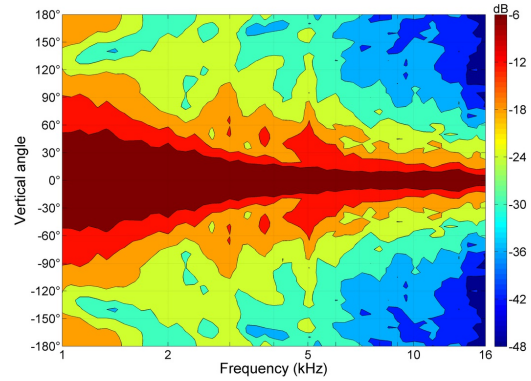
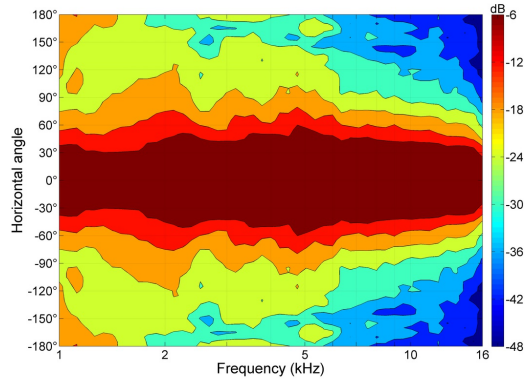
**Horns** - 1.4 Inches

- 1.4" throat entry
- Line Array optimized Waveguide
- 120° max horizontal coverage
- Vertical coverage depends on configuration
- Very good loading down to 800 Hz



# ME142

Horns- 1.4 Inches



## SPECIFICATIONS<sup>1</sup>

Throat Diameter	36 mm (1.4 in)
Nominal Coverage Horizontal	120 °
Cutoff Frequency	0.8 kHz
Material	Cast Aluminium
Design	Line Array Optimized Waveguide
Dimensions	163x130x180 mm (6.42x5.12x7.09 in)

## MOUNTING AND SHIPPING INFO

Baffle Cutout Dimension	153x25.4 mm (6.00x1.00 in)
Air Volume Occupied by Driver	0.34 dm <sup>3</sup> (0.01 ft <sup>3</sup> )
Net Weight	1.05 kg (2.31 lb)
Shipping Units	1
Shipping Weight	1.15 kg (2.53 lb)
Shipping Box	190x135x165 mm (7.48x5.31x6.50 in)
Other Details	Four 6.5 mm holes at 90° on 102 mm (4 in) diameter

1. Waveguide mounted on B&C DE800 compression driver