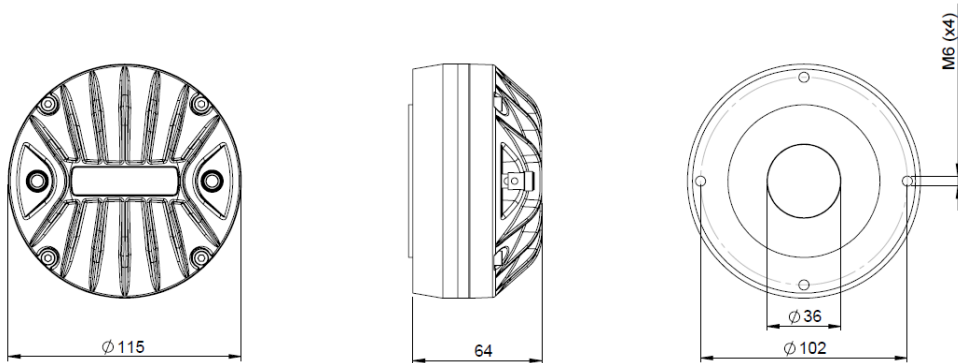


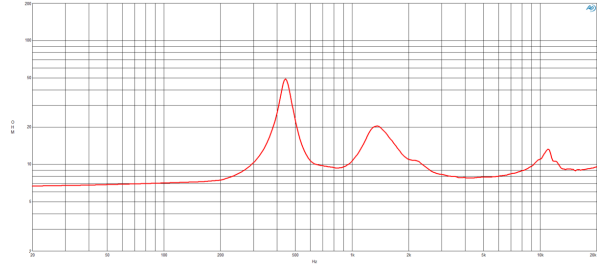
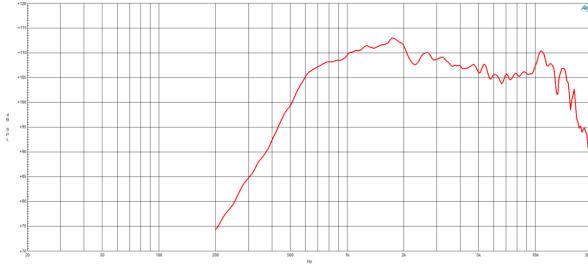
# DE991TN

**8Ω****HF Drivers - 1.4 Inches**

- 200 W continuous program power capacity
- 1.4" horn throat diameter
- 86 mm (3.4 in) aluminium voice coil
- Titanium diaphragm
- 800 - 17000 Hz response
- 108 dB sensitivity
- Neodymium magnet assembly with shorting copper cap

# DE991TN

HF Drivers- 1.4 Inches



## SPECIFICATIONS<sup>1</sup>

Throat Diameter	36 mm (1.4 in)
Nominal Impedance	8 Ω
Minimum Impedance	7.8 Ω
Nominal Power Handling <sup>2</sup>	100 W
Continuous power handling <sup>3</sup>	200 W
Sensitivity (1W/1m) <sup>4</sup>	108.0 dB
Frequency Range	0.8 - 17.0 kHz
Recommended Crossover <sup>5</sup>	1.0 kHz
Voice Coil Diameter	86 mm (3.4 in)
Winding Material	Aluminium
Inductance	0.1 mH
Diaphragm Material	Titanium
Flux Density	1.94 T
Magnet Material	Neo Inside Ring

## MOUNTING AND SHIPPING INFO

Four M6 holes 90° on 102 mm (4 in) diameter	
Overall Diameter	115 mm (4.53 in)
Depth	64 mm (2.52 in)
Net Weight	2.0 kg (4.41 lb)
Shipping Units	1
Shipping Weight	2.04 kg (4.49 lb)
Shipping Box	120x120x65 mm (4.72x4.72x2.56 in)
Other Details	4x M6 Mounting Studs with bolts and washers included

## SERVICE KIT

Replacement diaphragm	MMD35FTN8M
-----------------------	------------

1. Driver mounted on B&C ME 90 horn.
2. 2 hour test made with continuous pink noise signal within the range from the recommended crossover frequency to 20 kHz. Power calculated on rated minimum impedance.
3. Power on Continuous Program is defined as 3 dB greater than the Nominal rating.
4. Applied RMS Voltage is set to 2.83 V for 8 ohms Nominal Impedance.
5. 12 dB/oct. or higher slope high-pass filter.