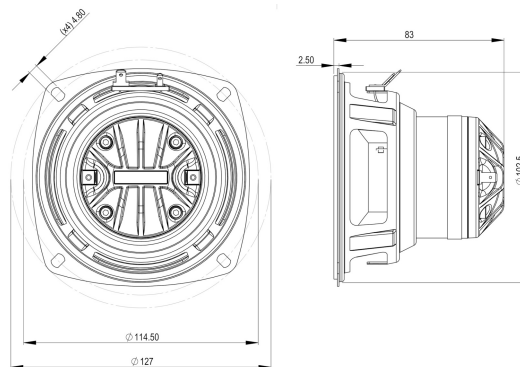


4MCX36

8Ω

Coaxials - 4.0 Inches



- 8 ohm LF unit, 16 ohm HF unit
- 200 W continuous program power capacity
- 70° nominal coverage
- 150 - 18000 Hz response
- 87 dB sensitivity
- Neodymium magnet allows a very light yet powerful motor assembly
- Aluminium demodulating ring allows a very low distortion figure

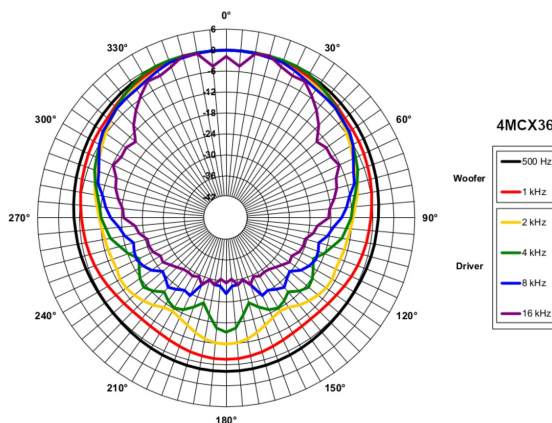
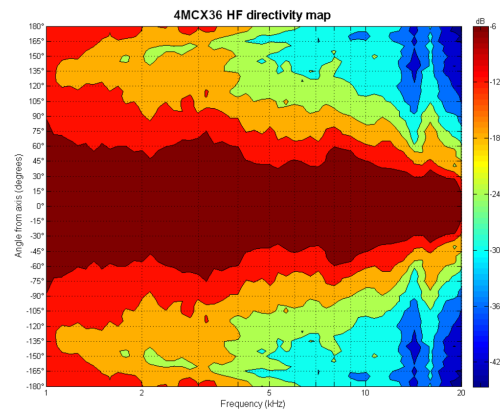
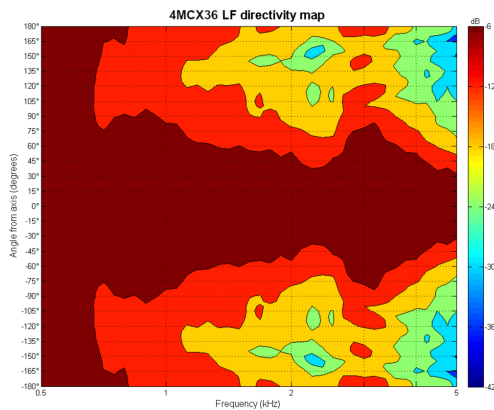
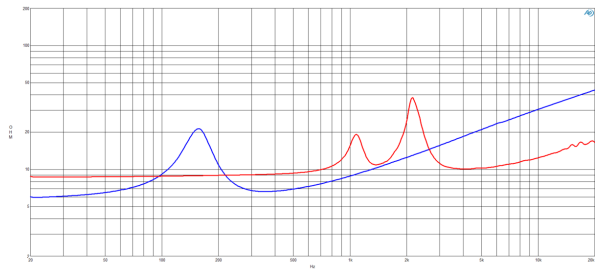
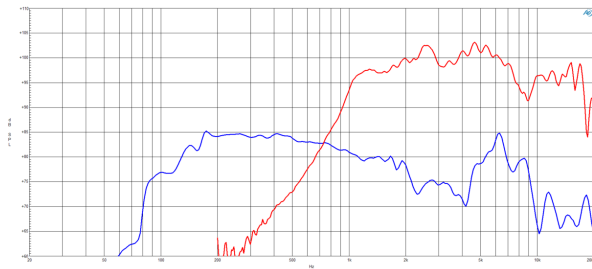


Unique to B&C, a complete lineup of high sensitivity and power handling 4", 5" and 6.5" frame transducers. These high technology products are made with our famously critical quality control, allowing new compact loudspeaker designs with appropriately scaled performance.

Combined with a 1.4" dome compression driver, the unique 4MCX36 uses a higher Fs woofer than the standard [4CXN36](#), for applications where more mid bass and less low frequency is required. The 4MCX36 offers 150 - 18000Hz frequency response and a 70° conical coverage pattern.

4MCX36

Coaxials- 4.0 Inches



SPECIFICATIONS

Nominal Diameter	100 mm (4.0 in)
Nominal Impedance	8 Ω
Minimum Impedance LF	6.8 Ω
Minimum Impedance HF	10.2 Ω
Frequency Range	150 - 18000 Hz
Dispersion Angle ¹	70 °
Woofer Cone Treatment	WP Waterproof Front Side
Magnet Material	Neodymium Ring

SPECIFICATIONS LF UNIT

LF Sensitivity ²	87.0 dB
LF Nominal Power Handling ³	100 W
LF Continuous Power Handling ⁴	200 W
LF Voice Coil Diameter	34 mm (1.34 in)
LF Winding Material	Copper
LF Flux Density	0.74 T
Former Material	Glass Fibre
Winding Depth	11.0 mm (0.43 in)
Magnetic Gap Depth	6.0 mm (0.24 in)

SPECIFICATIONS HF UNIT

HF Sensitivity ⁵	102.0 dB
HF Nominal Power Handling ⁶	25 W
HF Continuous Power Handling ⁷	50 W
HF Voice Coil Diameter	36 mm (1.42 in)
HF Winding Material	Aluminium
HF Flux Density	1.65 T
Diaphragm Material	HT Polymer
Recommended Crossover ⁸	2.0 kHz
Inductance	0.14 mH

PARAMETERS

Resonance Frequency	150 Hz
Re	5.6 Ω
Qes	1.2
Qms	3.9
Qts	0.91
Vas	0.8 dm ³ (0.03 ft ³)
Sd	56.0 cm ² (8.68 in ²)
η _e	0.22 %
Xmax	± 4.0 mm
Xvar	± 3.0 mm
Mms	6.2 g
Bl	5.27 Txm
Le	0.87 mH
EBP	125 Hz

MOUNTING AND SHIPPING INFO

Overall Diameter	127 mm (5.0 in)
Bolt Circle Diameter	114 mm (4.51 in)
Baffle Cutout Diameter	103 mm (4.06 in)
Depth	83 mm (3.27 in)
Flange and Gasket Thickness	2 mm (0.08 in)
Net Weight	0.55 kg (1.21 lb)
Shipping Units	1
Shipping Weight	0.67 kg (1.48 lb)
Shipping Box	120x117x110 mm (4.72x4.61x4.33 in)

SERVICE KIT

MF replacement diaphragm	MMDDE11016
--------------------------	------------

1. Included by -6 dB down points.
2. Applied RMS Voltage is set to 2.83V.
3. 2 hours test made with continuous pink noise signal within the range Fs-10Fs. Power calculated on rated minimum impedance. Loudspeaker in free air.
4. Power on Continuous Program is defined as 3 dB greater than the Nominal rating.
5. Applied RMS Voltage is set to 4V.
6. 2 hour test made with continuous pink noise signal within the range from the recommended crossover frequency to 20 kHz. Power calculated on rated minimum impedance. Loudspeaker in free air.
7. Power on Continuous Program is defined as 3 dB greater than the Nominal rating.
8. 12 dB/oct. or higher slope high-pass filter.