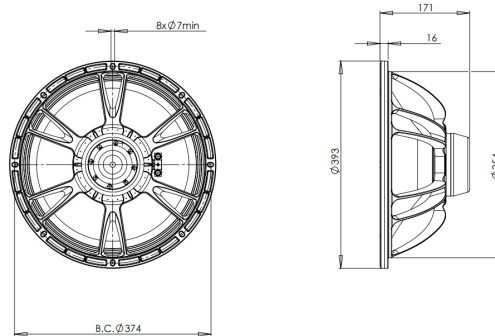


15NDL76

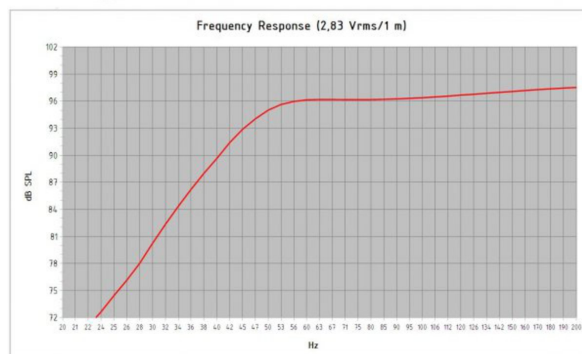
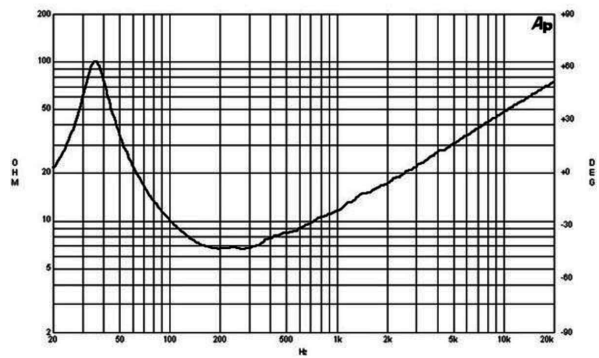
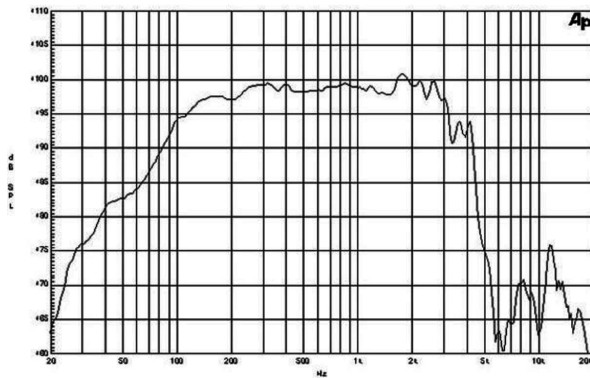
8Ω**LF Drivers - 15.0 Inches**

- 1000 W continuous program power capacity
- 76 mm (3 in) copper voice coil
- 40 - 2000 Hz response
- 99.5 dB sensitivity
- Neodymium magnet allows a very light yet powerful motor assembly
- Ventilated voice coil gap for reduced power compression



15NDL76

LF Drivers- 15.0 Inches



Model: 15 NDL 76
 Enclosure Type: Bass Reflex
 Internal Net Volume (Liters): 100
 Tuning Frequency (Hz): 47
 Frequency (-3 dB) (Hz): 51.7
 Port Area (cm²): 222.3
 Port Length (cm): 15.5
 Excursion Limited Maximum SPL at 1 meter (dB): 123.5 equal to 390.0 Watts (Bass Band Power Rating)
 Thermal Limited Maximum SPL at 1 meter (dB): 125.4 equal to 600.0 Watts (Mid Band Power Rating)

SPECIFICATIONS

| | |
|--|-------------------|
| Nominal Diameter | 380 mm (15.0 in) |
| Nominal Impedance | 8 Ω |
| Minimum Impedance | 6.7 Ω |
| Nominal Power Handling ¹ | 500 W |
| Continuous power handling ² | 1000 W |
| Sensitivity (1W/1m) ³ | 99.5 dB |
| Frequency Range | 40 - 2000 Hz |
| Voice Coil Diameter | 76 mm (3.0 in) |
| Winding Material | Copper |
| Former Material | Glass Fibre |
| Winding Depth | 18.0 mm (0.68 in) |
| Magnetic Gap Depth | 11.0 mm (0.4 in) |
| Flux Density | 1.25 T |

DESIGN

| | |
|-----------------------|---|
| Surround Shape | Triple Roll |
| Cone Shape | Exponential |
| Magnet Material | Neodymium Inside Slug |
| Spider | Single |
| Pole Design | Straight Pole |
| Woofer Cone Treatment | TWP Waterproof Both Sides |
| Recommended Enclosure | 100.0 dm ³ (3.53 ft ³) |
| Recommended Tuning | 47 Hz |

PARAMETERS⁴

| | |
|---------------------|--|
| Resonance Frequency | 37 Hz |
| Re | 5.3 Ω |
| Qes | 0.24 |
| Qms | 4.5 |
| Qts | 0.22 |
| Vas | 195.0 dm ³ (6.8 ft ³) |
| Sd | 855.0 cm ² (132.5 in ²) |
| η _o | 4.1 % |
| X _{max} | ± 7.0 mm |
| X _{var} | ± 9.0 mm |
| M _{ms} | 96.0 g |
| Bl | 22.5 Txm |
| Le | 1.5 mH |
| EBP | 154 Hz |

B&C Speakers s.p.a.

Via Poggiomoro, 1 - Loc. Vallina, 50012 Bagno a Ripoli (FI) - ITALY - Tel. +39 055 65721 - Fax +39 055 6572312 - mail@bcspeakers.com

MOUNTING AND SHIPPING INFO

| | |
|-------------------------------|---|
| Overall Diameter | 393 mm (15.5 in) |
| Bolt Circle Diameter | 374 mm (14.7 in) |
| Baffle Cutout Diameter | 354.0 mm (13.9 in) |
| Depth | 171 mm (6.7 in) |
| Flange and Gasket Thickness | 16 mm (0.62 in) |
| Air Volume Occupied by Driver | 3.5 dm ³ (0.12 ft ³) |
| Net Weight | 4.6 kg (10.1 lb) |
| Shipping Units | 1 |
| Shipping Weight | 5.9 kg (13.0 lb) |
| Shipping Box | 425x425x224 mm (16.73x16.73x8.82 in) |

SERVICE KIT

| | |
|------------|-------------|
| Recone kit | RCK15NDL768 |
|------------|-------------|

1. 2 hours test made with continuous pink noise signal within the range Fs-10Fs. Power calculated on rated minimum impedance. Loudspeaker in free air.
2. Power on Continuous Program is defined as 3 dB greater than the Nominal rating.
3. Applied RMS Voltage is set to 2.83 V for 8 ohms Nominal Impedance.
4. Thiele-Small parameters are measured after a high level 20 Hz sine wave preconditioning test.