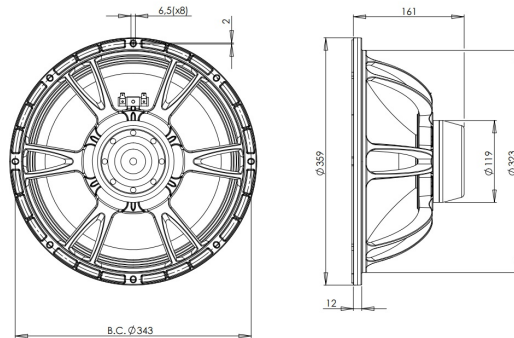


# 14NDL76

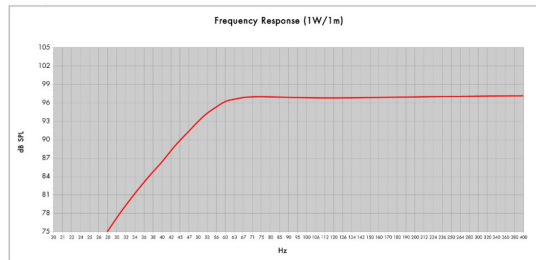
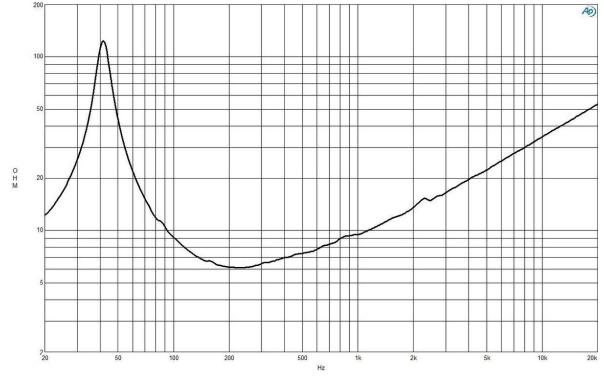
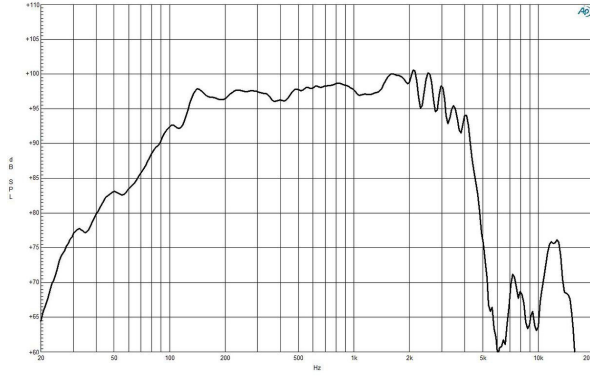
**8Ω****LF Drivers - 13.5 Inches**

- 1000 W continuous program power capacity
- 76 mm (3 in) copper voice coil
- 40 - 3000 Hz response
- 99 dB sensitivity
- Ventilated voice coil gap for reduced power compression
- Aluminium demodulating ring allows a very low distortion figure



# 14NDL76

## LF Drivers- 13.5 Inches



|                               |            |                               |            |
|-------------------------------|------------|-------------------------------|------------|
| Model:                        | 14NDL76    | Configuration:                | One Driver |
| Enclosure Type:               | Box Reflex |                               |            |
| Internal Net Volume (liters): | 75         | Q <sub>B</sub> :              | 6          |
| Tuning Frequency (Hz):        | 53         | Port Area (cm <sup>2</sup> ): | 222.3      |
| Frequency (-3 dB) (Hz):       | 52.8       | Port Length (cm):             | 17.0       |
| Frequency (-10 dB) (Hz):      | 41.1       |                               |            |

### SPECIFICATIONS

|  |                   |
|--|-------------------|
| Nominal Diameter                       | 359 mm (14.0 in)  |
| Nominal Impedance                      | 8 Ω               |
| Minimum Impedance                      | 6.1 Ω             |
| Nominal Power Handling <sup>1</sup>    | 500 W             |
| Continuous power handling <sup>2</sup> | 1000 W            |
| Sensitivity (1W/1m) <sup>3</sup>       | 99.0 dB           |
| Frequency Range                        | 40 - 3000 Hz      |
| Voice Coil Diameter                    | 76 mm (3.0 in)    |
| Winding Material                       | Copper            |
| Former Material                        | Glass Fibre       |
| Winding Depth                          | 21.0 mm (0.83 in) |
| Magnetic Gap Depth                     | 10.0 mm (0.4 in)  |
| Flux Density                           | 1.15 T            |

### DESIGN

|                       |  |
|-----------------------|--|
| Surround Shape        | Triple Roll                                  |
| Cone Shape            | Exponential                                  |
| Magnet Material       | Neodymium Inside Slug                        |
| Spider                | Single                                       |
| Pole Design           | T-Pole                                       |
| Woofer Cone Treatment | WP Waterproof Front Side                     |
| Recommended Enclosure | 75.0 dm <sup>3</sup> (2.65 ft <sup>3</sup> ) |
| Recommended Tuning    | 53 Hz  |

### PARAMETERS<sup>4</sup>

|                     |   |
|---------------------|---|
| Resonance Frequency | 41 Hz   |
| Re                  | 5.0 Ω   |
| Qes                 | 0.31  |
| Qms                 | 8.2   |
| Qts                 | 0.3   |
| Vas                 | 123.0 dm <sup>3</sup> (4.34 ft <sup>3</sup> )   |
| Sd                  | 707.0 cm <sup>2</sup> (109.59 in <sup>2</sup> ) |
| η <sub>o</sub>      | 2.7 %   |
| X <sub>max</sub>    | ± 8.0 mm  |
| X <sub>var</sub>    | ± 9.5 mm  |
| M <sub>ms</sub>     | 85.0 g  |
| Bl                  | 19.0 Txm  |
| Le                  | 1.1 mH  |
| EBP                 | 132 Hz  |

**MOUNTING AND SHIPPING INFO**

|                               |   |
|-------------------------------|---|
| Overall Diameter              | 359 mm (14.13 in)                           |
| Bolt Circle Diameter          | 343 mm (13.5 in)                            |
| Baffle Cutout Diameter        | 323.0 mm (12.72 in)                         |
| Depth                         | 161 mm (6.34 in)                            |
| Flange and Gasket Thickness   | 12 mm (0.47 in)                             |
| Air Volume Occupied by Driver | 3.0 dm <sup>3</sup> (0.11 ft <sup>3</sup> ) |
| Net Weight                    | 4.5 kg (9.92 lb)                            |
| Shipping Units                | 1   |
| Shipping Weight               | 5.8 kg (12.79 lb)                           |
| Shipping Box                  | 425x425x224 mm (16.73x16.73x8.82 in)        |

**SERVICE KIT**

|            |            |
|------------|------------|
| Recone kit | RCK14NDL76 |
|------------|------------|

1. 2 hours test made with continuous pink noise signal within the range Fs-10Fs. Power calculated on rated minimum impedance. Loudspeaker in free air.
2. Power on Continuous Program is defined as 3 dB greater than the Nominal rating.
3. Applied RMS Voltage is set to 2.83 V for 8 ohms Nominal Impedance.
4. Thiele-Small parameters are measured after a high level 20 Hz sine wave preconditioning test.