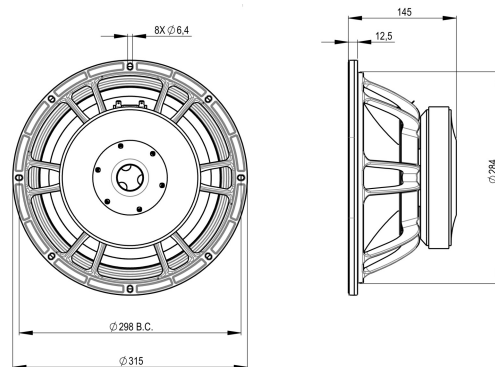


12FW88

8Ω**LF Drivers - 12.0 Inches**

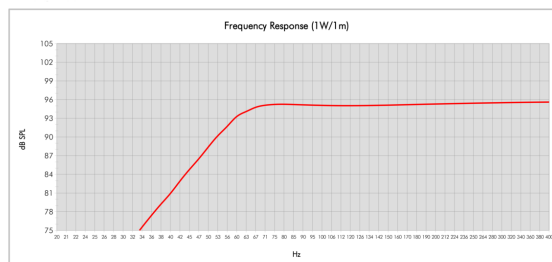
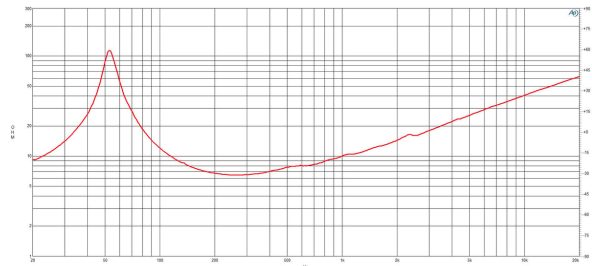
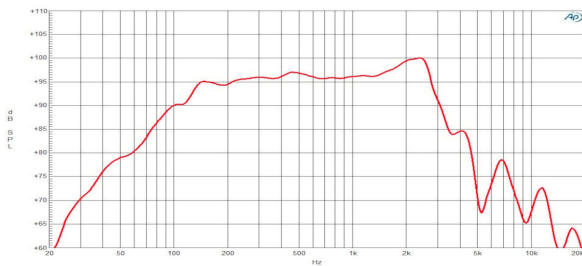
- 1400 W continuous program power capacity
- 88 mm (3.5 in) aluminium voice coil
- 50 - 3000 Hz response
- 97,1 dB sensitivity
- Aluminium demodulating ring allows a very low distortion figure
- Double silicone spider with optimized compliance
- Ventilated voice coil gap for reduced power compression



The FW88 series is perfectly balanced for the loudspeaker systems of today. A performance-oriented range of ferrite woofers with 3.5" (88mm) voice coil and high flux ferrite magnet, incorporated into a compact but powerful motor package. The results are unexpected low frequency output and midrange extension to meet with almost any driver for two way applications. Do more, with less, with the FW88 series.

12FW88

LF Drivers- 12.0 Inches



Model: 12FW88
 Enclosure Type: Bass Reflex Configuration: One Driver
 Internal Net Volume (liters): 40 QES: 6
 Tuning Frequency (Hz): 60 Port Area (cm²): 170
 Frequency (-3 dB) (Hz): 58.7 Port Length (in): 22.2
 Frequency (-10 dB) (Hz): 46.2

SPECIFICATIONS

Nominal Diameter	320 mm (12.0 in)
Nominal Impedance	8 Ω
Minimum Impedance	6.3 Ω
Nominal Power Handling ¹	700 W
Continuous power handling ²	1400 W
Sensitivity (1W/1m) ³	97.1 dB
Frequency Range	50 - 3000 Hz
Voice Coil Diameter	88 mm (3.5 in)
Winding Material	Aluminium
Former Material	Glass Fibre
Winding Depth	21.5 mm (0.85 in)
Magnetic Gap Depth	11.0 mm (0.43 in)
Flux Density	1.04 T

DESIGN

Surround Shape	Triple Roll
Cone Shape	Exponential
Magnet Material	Ferrite Ring
Spider	Double Silicone
Pole Design	T-Pole
Woofer Cone Treatment	WP Waterproof Front Side
Recommended Enclosure	40.0 dm ³ (1.41 ft ³)
Recommended Tuning	65 Hz

PARAMETERS⁴

Resonance Frequency	53 Hz
Re	5.1 Ω
Qes	0.35
Qms	7.7
Qts	0.33
Vas	45.7 dm ³ (1.61 ft ³)
Sd	531.0 cm ² (82.31 in ²)
η _o	2.05 %
X _{max}	± 8.0 mm
X _{var}	± 8.6 mm
M _{ms}	76.4 g
Bl	19.5 Txm
Le	0.9 mH
EBP	151 Hz

MOUNTING AND SHIPPING INFO

Overall Diameter	315 mm (12.4 in)
Bolt Circle Diameter	298 mm (11.73 in)
Baffle Cutout Diameter	285.0 mm (11.22 in)
Depth	145 mm (5.71 in)
Flange and Gasket Thickness	12 mm (0.49 in)
Air Volume Occupied by Driver	2.5 dm ³ (0.09 ft ³)
Net Weight	8.3 kg (18.3 lb)
Shipping Units	1
Shipping Weight	9.2 kg (20.28 lb)
Shipping Box	360x360x200 mm (14.17x14.17x7.87 in)

B&C Speakers s.p.a.

Via Poggiomoro, 1 - Loc. Vallina, 50012 Bagno a Ripoli (FI) - ITALY - Tel. +39 055 65721 - Fax +39 055 6572312 - mail@bcspeakers.com

1. 2 hours test made with continuous pink noise signal within the range F_s - $10F_s$. Power calculated on rated minimum impedance. Loudspeaker in free air.
2. Power on Continuous Program is defined as 3 dB greater than the Nominal rating.
3. Applied RMS Voltage is set to 2.83 V for 8 ohms Nominal Impedance.
4. Thiele-Small parameters are measured after a high level 20 Hz sine wave preconditioning test.