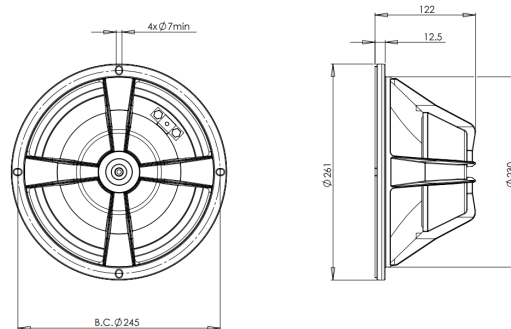


10HPL64

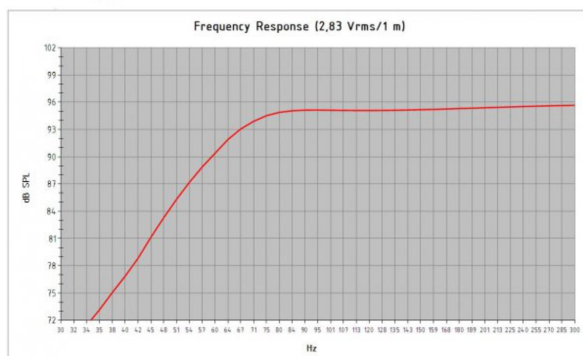
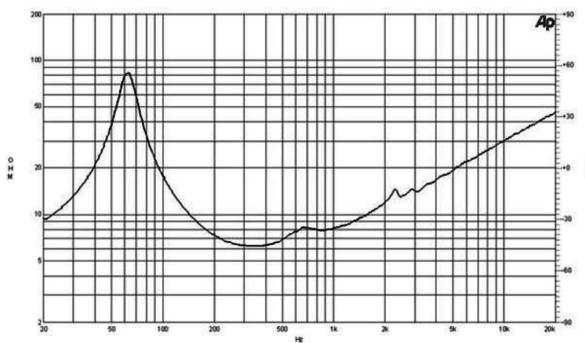
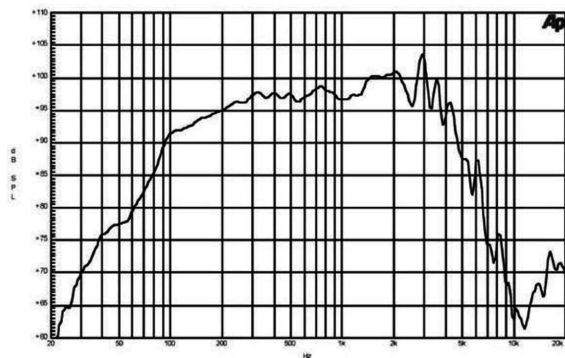
8Ω**LF Drivers - 10.0 Inches**

- 400 W continuous program power capacity
- 64 mm (2.5 in) aluminium voice coil
- 60 - 4000 Hz response
- 98.5 dB sensitivity
- Neodymium magnet allows a very light yet powerful motor assembly



10HPL64

LF Drivers- 10.0 Inches



Model: **10 HPL 64**
 Enclosure Type: **Bass Reflex**
 Internal Net Volume (Liters): **26**
 Tuning Frequency (Hz): **67** Port Area (cm²): **88.4**
 Frequency (-3 dB) (Hz): **67.0** Port Length (cm): **9.6**
 Excursion Limited Maximum SPL at 1 meter (dB): **115.9** equal to **127.4** Watts (Bass Band Power Rating)
 Thermal Limited Maximum SPL at 1 meter (dB): **117.9** equal to **200.0** Watts (Mid Band Power Rating)

SPECIFICATIONS

Nominal Diameter	250 mm (10.0 in)
Nominal Impedance	8 Ω
Minimum Impedance	6.2 Ω
Nominal Power Handling ¹	200 W
Continuous power handling ²	400 W
Sensitivity (1W/1m) ³	98.5 dB
Frequency Range	60 - 4000 Hz
Voice Coil Diameter	64 mm (2.5 in)
Winding Material	Aluminium
Former Material	Glass Fibre
Winding Depth	12.0 mm (0.47 in)
Magnetic Gap Depth	8.0 mm (0.31 in)
Flux Density	1.25 T

DESIGN

Surround Shape	Double Roll
Cone Shape	Exponential
Magnet Material	Neodymium Inside Slug
Spider	Single
Pole Design	Straight Pole
Woofer Cone Treatment	None
Recommended Enclosure	26.0 dm ³ (0.92 ft ³)
Recommended Tuning	67 Hz

PARAMETERS⁴

Resonance Frequency	61 Hz
Re	5.4 Ω
Qes	0.33
Qms	4.5
Qts	0.31
Vas	32.0 dm ³ (1.1 ft ³)
Sd	320.0 cm ² (50.0 in ²)
η _o	2.5 %
X _{max}	± 4.0 mm
X _{var}	± 5.5 mm
M _{ms}	29.0 g
Bl	15.0 Txm
Le	0.5 mH
EBP	184 Hz

MOUNTING AND SHIPPING INFO

Overall Diameter	261 mm (10.3 in)
Bolt Circle Diameter	245 mm (9.6 in)
Baffle Cutout Diameter	230.0 mm (9.1 in)
Depth	122 mm (4.8 in)
Flange and Gasket Thickness	13 mm (0.5 in)
Air Volume Occupied by Driver	1.5 dm ³ (0.05 ft ³)
Net Weight	2.0 kg (4.4 lb)
Shipping Units	1
Shipping Weight	2.6 kg (5.7 lb)
Shipping Box	295x314x175 mm (11.61x12.36x6.89 in)

SERVICE KIT

Recone kit	RCK010HPL648
------------	--------------

1. 2 hours test made with continuous pink noise signal within the range Fs-10Fs. Power calculated on rated minimum impedance. Loudspeaker in free air.
2. Power on Continuous Program is defined as 3 dB greater than the Nominal rating.
3. Applied RMS Voltage is set to 2.83 V for 8 ohms Nominal Impedance.
4. Thiele-Small parameters are measured after a high level 20 Hz sine wave preconditioning test.