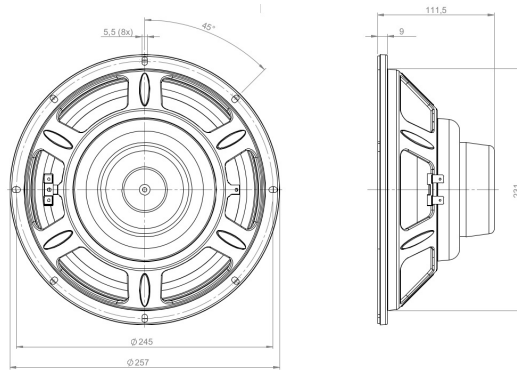


# 10CLA64

**16Ω****LF Drivers - 10.0 Inches**

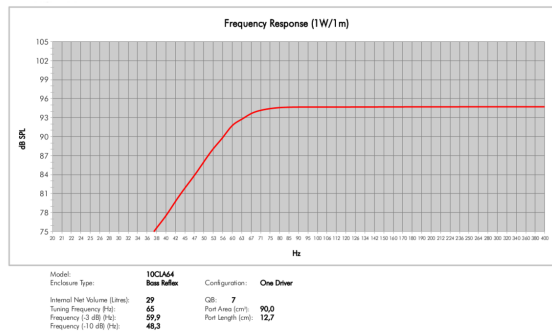
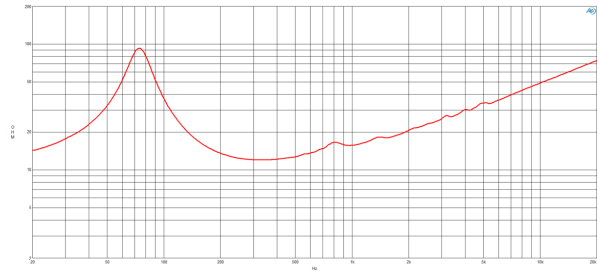
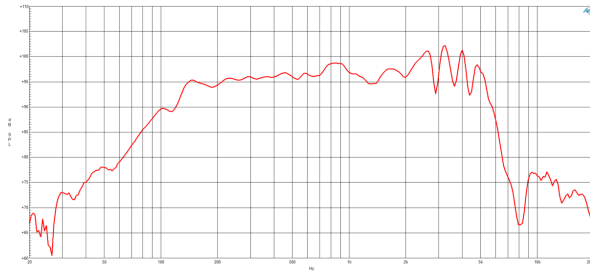
- 500 W continuous program power capacity
- 64 mm (2.5 in) aluminum voice coil
- 75 - 4000 Hz response
- 96 dB sensitivity



Careful optimization of our lightest woofer series, now offered with a high temperature copper-clad aluminum voice coil, is rewarded with higher sensitivity and smoother high frequency response. Larger motor makes these a good fit for many more applications, especially where flown, and manufacturing design means the CLA series can be price competitive with ferrite motor designs offering similar performance.

# 10CLA64

LF Drivers- 10.0 Inches



## SPECIFICATIONS

Nominal Diameter	250 mm (10.0 in)
Nominal Impedance	16 Ω
Minimum Impedance	12.0 Ω
Nominal Power Handling <sup>1</sup>	250 W
Continuous power handling <sup>2</sup>	500 W
Sensitivity (1W/1m) <sup>3</sup>	96.0 dB
Frequency Range	75 - 4000 Hz
Voice Coil Diameter	64 mm (2.5 in)
Winding Material	Aluminium
Former Material	Glass Fibre
Winding Depth	13.0 mm (0.51 in)
Magnetic Gap Depth	8.0 mm (0.31 in)
Flux Density	1.15 T

## DESIGN

Surround Shape	Double Roll
Cone Shape	Exponential
Magnet Material	Neodymium Inside Slug
Spider	Single
Pole Design	Straight Pole
Woofers Cone Treatment	WP Waterproof Front Side
Recommended Enclosure	29.0 dm <sup>3</sup> (1.02 ft <sup>3</sup> )
Recommended Tuning	65 Hz

## PARAMETERS<sup>4</sup>

Resonance Frequency	72 Hz
Re	10.6 Ω
Q <sub>ES</sub>	0.46
Q <sub>MS</sub>	3.8
Q <sub>TS</sub>	0.41
V <sub>AS</sub>	21.0 dm <sup>3</sup> (0.74 ft <sup>3</sup> )
S <sub>D</sub>	320.0 cm <sup>2</sup> (49.6 in <sup>2</sup> )
η <sub>0</sub>	1.64 %
X <sub>MAX</sub>	± 4.5 mm
X <sub>VAR</sub>	± 5.0 mm
M <sub>MS</sub>	33.6 g
Bl	18.8 Txm
Le	0.7 mH
EBP	156 Hz

## MOUNTING AND SHIPPING INFO

Overall Diameter	257 mm (10.12 in)
Bolt Circle Diameter	245 mm (9.65 in)
Baffle Cutout Diameter	232.0 mm (9.13 in)
Depth	111 mm (4.39 in)
Flange and Gasket Thickness	9 mm (0.35 in)
Air Volume Occupied by Driver	1.0 dm <sup>3</sup> (0.04 ft <sup>3</sup> )
Net Weight	1.85 kg (4.08 lb)
Shipping Units	1
Shipping Weight	2.45 kg (5.4 lb)
Shipping Box	295x314x175 mm (11.61x12.36x6.89 in)

## SERVICE KIT

Recone kit	RCK10CLA6416
------------	--------------

B&C Speakers s.p.a.

Via Poggiomoro, 1 - Loc. Vallina, 50012 Bagno a Ripoli (FI) - ITALY - Tel. +39 055 65721 - Fax +39 055 6572312 - mail@bcspeakers.com

1. 2 hours test made with continuous pink noise signal within the range Fs-10Fs. Power calculated on rated minimum impedance. Loudspeaker in free air.
2. Power on Continuous Program is defined as 3 dB greater than the Nominal rating.
3. Applied RMS Voltage is set to 4 V for 16 ohms Nominal Impedance
4. Thiele-Small parameters are measured after a high level 20 Hz sine wave preconditioning test.