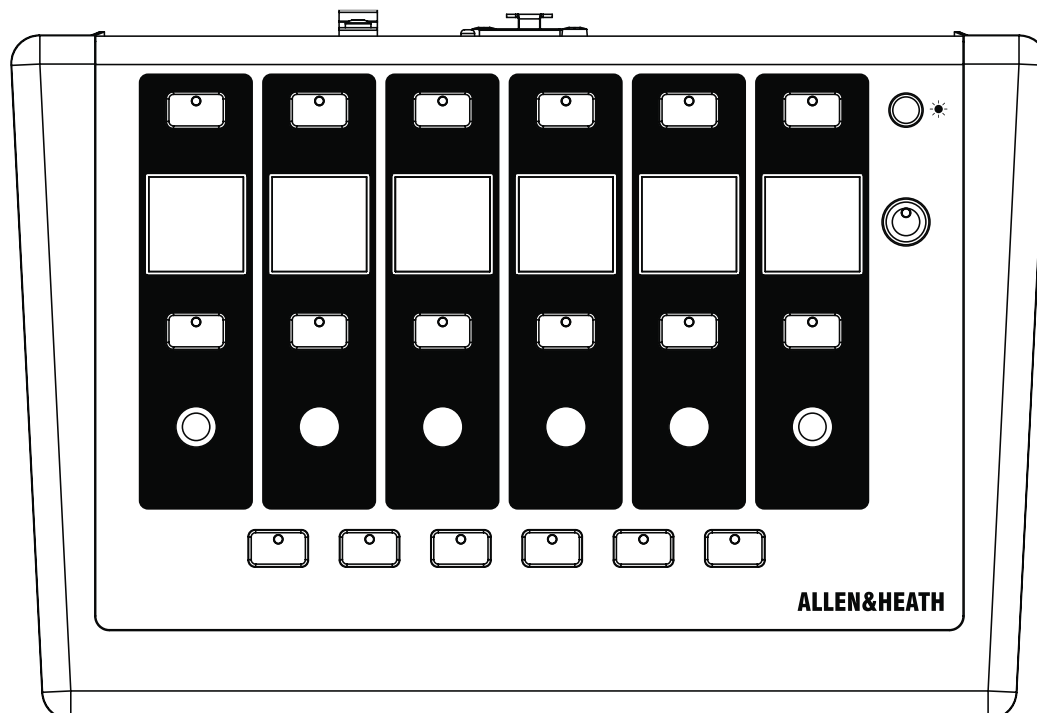
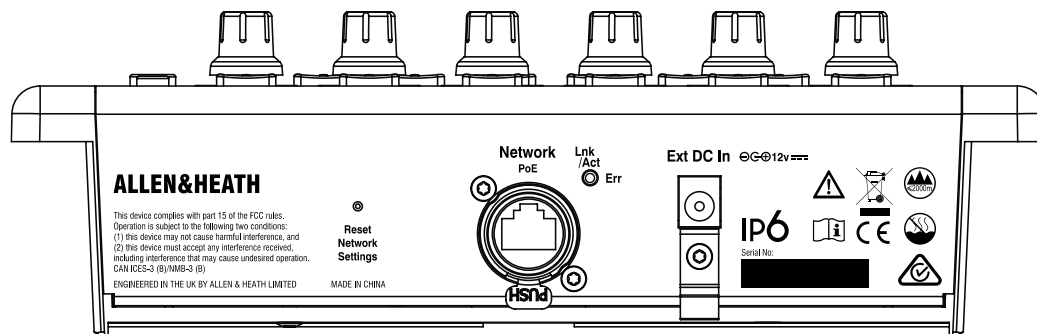


## IP6 Technical Datasheet

### Overview

- 6 Push n Turn Rotary encoders
- 6 x Layers
- PoE or external 12V PSU (supplied)
- Interface with dLive, Avantis and AHM-64 via TCP/IP
- Network with other controllers, computers and third party devices
- Optional mic stand bracket available (AB8999)



## A&E Specifications

The remote controller shall be compact and portable with 6 rotary encoders, 6 LCD displays, 19 backlit softkeys and a dimmable pre-set control for all displays.

The rotary encoders shall be dual function with the second function being accessed via a push and turn action. There shall be 6 layers of control, accessed via softkeys, allowing control of 36 individual channels.

There shall be a fast Ethernet connection via a locking Neutrik EtherCon connector and a 12V DC inlet connector on the rear of the unit.

Connection of the controller shall be direct to the dLive Mixrack/Surface, Avantis mixer or AHM-64 Matrix Processor via standard Cat5 data infrastructure.

Alternatively, it shall be capable of multiple parallel connections using an Ethernet switch.

Configuration and programming of the controller shall be via AHM System Manager or dLive Director Software (PC or Mac), or via an Avantis mixer or dLive Surface.

The controller shall be powered using a supplied 12V 2.5A power supply or by the Cat5 control cable via a PoE enabled device. The controller shall be compatible with both PoE standards 802.3af (15.4W at source) and 802.3at (30W at source). The maximum power consumption of the controller shall be 5W.

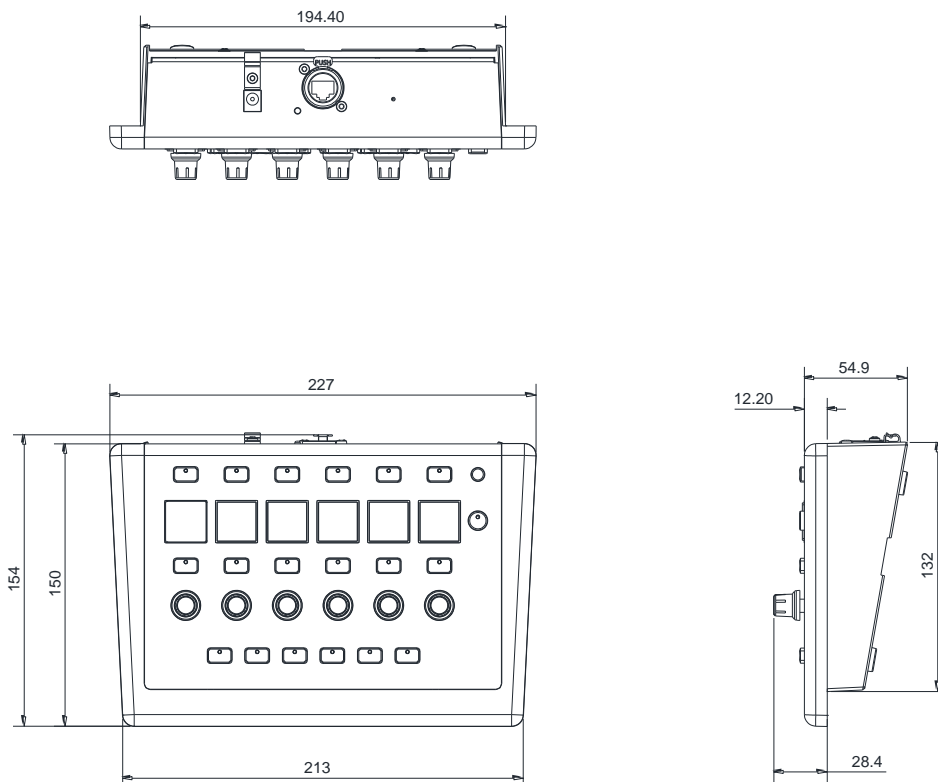
The remote controller shall be used free standing or mounted to stands, pipe or brackets using the 3/8" threaded insert located on the underside of the unit. Alternatively, there shall be provision made to fix the unit permanently into furniture via six captive screws also located on the underside of the unit.

Recommended operating temperature for the controller shall be 0 to 35 degrees Celsius.

The controller shall weigh no more than 1.5kg (3.3lbs).

The controller shall be the Allen & Heath IP6

## Dimensions



## Specification

### System

Network	Fast Ethernet 100MBps
Ext DC In	+12V, 360mA
PoE	802.3af (15.4W at source)
Max power consumption	5W

Operating Temperature Range	0 deg C to 35 deg C (32 deg F to 95 deg F)
-----------------------------	---

### Dimensions and Weights

	Width x Depth x Height
IP6	227 x 150 x 55 mm
IP6 (boxed)	300 x 330 x 170 mm

### Weights

IP6	1.5kg (3.3lbs)
IP6 (boxed)	1.6kg (3.5lbs)