

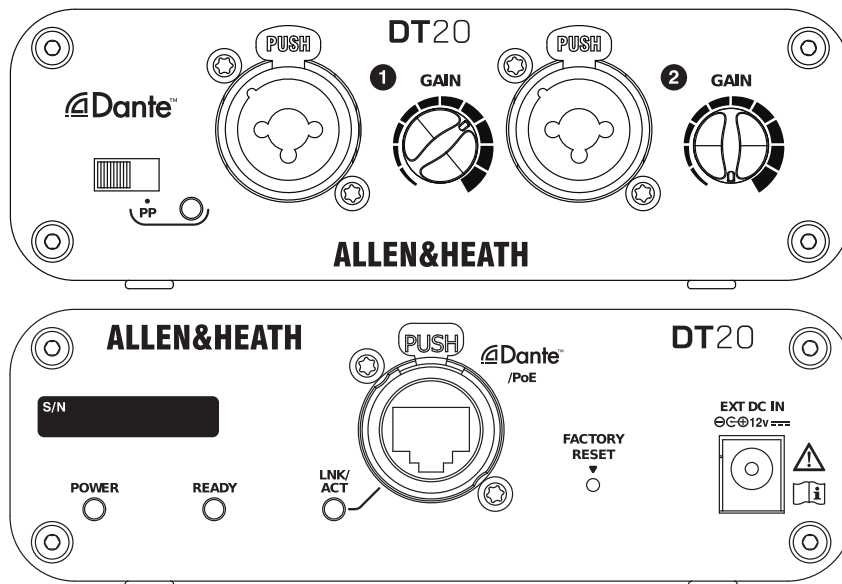
ALLEN & HEATH

Allen & Heath Limited
Kernick Industrial Estate
Penryn, Cornwall,
TR10 9LU, UK
www.allen-heath.com

DT20 Technical Datasheet

Overview

- Dante input interface 48kHz/96kHz
- 2x combi mic/line inputs
- Local gain control
- +48V phantom power with LED indicator
- PoE powered or DC 12V
- EtherCon connector
- Rugged aluminium box
- Optional ears for surface mounting (included in DT20-M)
- Optional rack mounting kit DT-RK19



A&E Specifications

The unit shall be a remote audio input interface for Dante enabled audio systems.

The remote audio unit shall provide 2 inputs on combi XLR / 1/4" TRS jack sockets. Preamp gain, with a range of 0dB to +55dB, shall be controlled via rotary controls on the front panel of the interface. A switch shall be provided for the enabling of +48V phantom power to both preamps, with LED indication.

The unit shall be able to operate at a 48kHz or 96kHz sample rate on a Dante network.

An EtherCon connector shall be provided for transport of the digital audio signals over the Dante network.

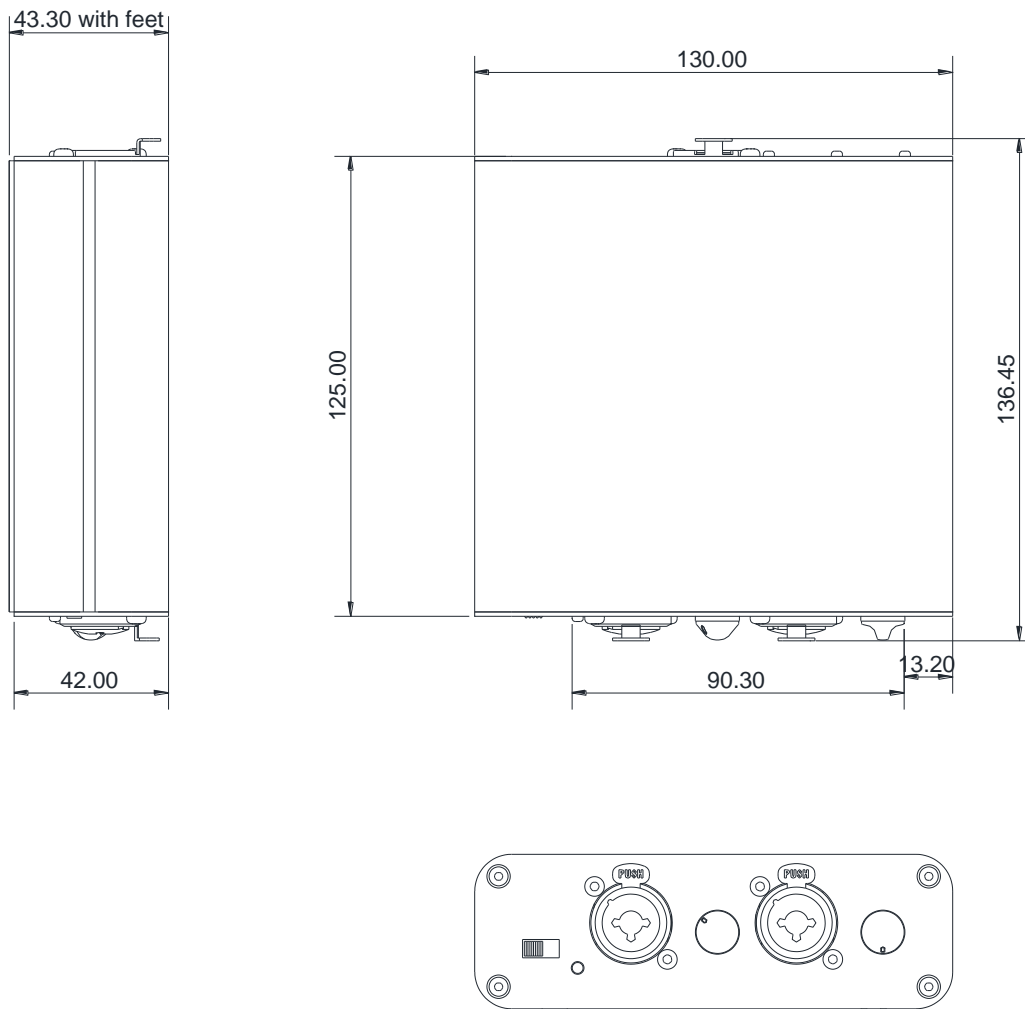
The remote audio unit shall have a robust aluminium chassis and optional kits shall be available for 19" rack mounting or mounting to a flat surface.

The remote Dante interface shall be powered via Power over Ethernet (PoE) or via an external 12V DC power supply.

Recommended operating temperature for the remote Dante interface shall be 0 to 40 degrees Celsius.

The unit shall be the Allen & Heath DT20.

Dimensions



System Specification

Mic/Line Inputs

Mic Inputs	Balanced XLR, +48V phantom
Analogue Gain	0 to +55dB
Line Inputs	Balanced TRS, -20dB PAD
Maximum Input Level	+30dBu (TRS in)
Input Impedance	>4k Ω (XLR), >10k Ω (TRS)

Dante

48kHz/96kHz

Power and Temperature

DC Input	+12V DC 1.25A
Power Consumption	10W max
Operating Temperature Range	0°C to 40°C (32°F to 104°F)
PoE Requirements	802.3af 15W

Dimensions and Weight

Width x Depth x Height x Weight

DT20	130 x 136 x 43 mm, 0.5kg (5.1" x 5.4" x 1.7", 1lbs)
------	--