



# ENCORE PROFILE 1000 WW



## User Manual

©2021 **ADJ Products, LLC** all rights reserved. Information, specifications, diagrams, images, and instructions herein are subject to change without notice. ADJ Products, LLC logo and identifying product names and numbers herein are trademarks of ADJ Products, LLC. Copyright protection claimed includes all forms and matters of copyrightable materials and information now allowed by statutory or judicial law or hereinafter granted. Product names used in this document may be trademarks or registered trademarks of their respective companies and are hereby acknowledged. All non-ADJ Products, LLC brands and product names are trademarks or registered trademarks of their respective companies.

**ADJ Products, LLC** and all affiliated companies hereby disclaim any and all liabilities for property, equipment, building, and electrical damages, injuries to any persons, and direct or indirect economic loss associated with the use or reliance of any information contained within this document, and/or as a result of the improper, unsafe, insufficient and negligent assembly, installation, rigging, and operation of this product.

Europe Energy Saving Notice

Energy Saving Matters (EuP 2009/125/EC)

Saving electric energy is a key to help protecting the environment. Please turn off all electrical products when they are not in use. To avoid power consumption in idle mode, disconnect all electrical equipment from power when not in use. Thank you!

**Unpacking:** Thank you for purchasing the Encore Profile 1000 WW by ADJ Products, LLC. Every Encore Profile 1000 WW has been thoroughly tested and has been shipped in perfect operating condition. Carefully check the shipping carton for damage that may have occurred during shipping. If the carton appears to be damaged, carefully inspect your fixture for any damage and be sure all accessories necessary to operate the unit have arrived intact. In the event that damage has been found or parts are missing, please contact our toll free customer support number for further instructions. Do not return this unit to your dealer without first contacting customer support.

**Introduction:** The ADJ Encore Profile 1000 WW is a DMX intelligent, high powered LED follow spot. This follow spot has three operating modes: white dimmer mode, fade mode, and DMX control mode. This fixture can be used in a stand alone mode or connected in a Primary/Secondary configuration. To optimize the performance of this product, please read these operating instructions carefully to familiarize yourself with the basic operations of this unit. These instructions contain important safety information regarding the use and maintenance of this unit. Please keep this manual with the unit for future reference.

**Customer Support:** ADJ Products, LLC provides a customer support line, to provide help and to answer any questions that might arise during set up or initial operation. You may also visit us on the web at [www.adj.com](http://www.adj.com) for any comments or suggestions. Service Hours and Monday through Friday 8:00am to 4:40pm PST.

Voice:	(800) 322-6337
Fax:	(323) 582-2941
E-mail:	<a href="mailto:support@adj.com">support@adj.com</a>

**Warning!** To prevent or reduce the risk of electrical shock or fire, do not expose this unit to rain or moisture.

**Caution!** There are no user serviceable parts inside this unit. Do not attempt any repairs yourself, as doing so will void your manufacturer's warranty. In the unlikely event that your unit requires service, please contact ADJ Products, LLC.

***PLEASE recycle the shipping carton when ever possible.***

## Encore Profile 1000 WW

## Features

- Three Operating Modes
- Electronic Dimming 0-100%
- 5 Selectable Dimming Curves
- 4 Included Gobos
- DMX-512 protocol
- Locking 3-Pin & 5-Pin XLR Connector In/Out
- 3 DMX Modes: 1 Channel Mode, 2 Channel Mode, & 3 Channel Mode.
- ADJ LED RC2, ADJ UC IR, (Not Included) & Airstream IR compatible
- Power Cord Daisy Chain Capability (see the **Power Cord Daisy Chain** section of this manual)

## Encore Profile 1000 WW

## Warranty Registration

The Encore Profile 1000 WW carries a 2 year limited warranty. Please fill out the enclosed warranty card to validate your purchase. All returned service items, whether under warranty or not, must be freight pre-paid and accompanied by a return authorization (R.A.) number. The R.A. number must be clearly written on the outside of the return package. A brief description of the problem as well as the R.A. number must also be written down on a piece of paper included in the shipping carton. If the unit is under warranty, you must provide a copy of your proof of purchase invoice. You may obtain an R.A. number by contacting our customer support team on our customer support number. All packages returned to the service department not displaying an R.A. number on the outside of the package will be returned to the shipper.

## Encore Profile 1000 WW

## Installation

The unit should be mounted using a mounting clamp (not provided), which should be attached to the mounting bracket that is provided with the unit. Always ensure that the unit is firmly fixed to avoid vibration and slipping while operating. Always ensure that the structure to which you are attaching the unit is secure and is able to support at least 10 times the unit's weight. Also, always use a safety cable that can hold at least 12 times the weight of the unit.

The equipment must be installed by a professional, and it must be installed in a place where it is out of the reach of people's grasp.

- To reduce the risk of electrical shock or fire, do not expose this unit rain or moisture.
- Do not spill water or other liquids into or on to your unit.
- Do not attempt to operate this unit if the power cord is frayed or broken.
- Do not attempt to remove or break off the ground prong from the electrical cord. This prong is used to reduce the risk of electrical shock and fire in case of an internal short.
- Disconnect from main power before making any type of connection.
- Do not remove the cover for any reason. There are no user serviceable parts inside.
- Never operate this unit with the cover removed.
- Never plug this unit in to a dimmer pack.
- Always be sure to mount this unit in an area that will allow proper ventilation. Allow about 6” (15cm) between this device and a wall.
- Do not attempt to operate this unit if it has been damaged in any way.
- This unit is intended for indoor use only. Use of this product outdoors voids all warranties.
- During long periods of non-use, disconnect the unit from main power.
- Always mount this unit in safe and stable matter.
- Power-supply cords should be routed so that they are not likely to be walked on or pinched by items placed upon or against them, paying particular attention to the point where they exit from the unit.
- Cleaning - The fixture should be cleaned only as recommended by the manufacturer. See the **Cleaning** section of this manual for cleaning details.
- Heat - The appliance should be situated away from heat sources such as radiators, heat registers, stoves, or other appliances (including amplifiers) that produce heat.
- The fixture should be serviced by qualified service personnel when:
  - A. The power-supply cord or the plug has been damaged.
  - B. Objects have fallen onto, or liquid has been spilled into, the appliance.
  - C. The appliance has been exposed to rain or water.
  - D. The appliance does not appear to operate normally or exhibits a marked change in performance.

**Power Supply:** The ADJ Encore Profile 1000 WW contains an automatic voltage switch, which will automatically sense the voltage when it is plugged into the power source. With this switch, there is no need to worry about the correct power voltage, and this unit can be plugged in anywhere.

**DMX-512:** DMX is short for Digital Multiplex. This is a universal protocol that is used as a form of communication between intelligent fixtures and controllers. A DMX controller sends DMX data instructions from the controller to the fixture. DMX data is sent as serial data that travels from fixture to fixture via the DATA “IN” and DATA “OUT” XLR terminals located on all DMX fixtures (most controllers only have a DATA “OUT” terminal).

**DMX Linking:** DMX is a language allowing all makes and models of different manufacturers to be linked together and operate from a single controller, as long as all fixtures and the controller are DMX compliant. To ensure proper DMX data transmission, try to use the shortest cable path possible when linking several DMX fixtures. The order in which fixtures are connected in a DMX line does not influence the DMX addressing. For example, a fixture assigned a DMX address of 1 may be placed anywhere in a DMX line: at the beginning, at the end, or anywhere in the middle. When a fixture is assigned a DMX address of 1, the DMX controller knows to send DATA assigned to address 1 to that unit, no matter where it is located in the DMX chain.

**Data Cable (DMX Cable) Requirements (For DMX Operation):** The Encore Profile 1000 WW can be controlled via DMX-512 protocol. The Encore Profile 1000 WW has 3 DMX modes, which are listed in the **Operating Instructions** section of this manual. The DMX address is set on the back panel of the Encore Profile 1000 WW. Your unit and your DMX controller require a standard 3-pin or 5-pin XLR connector for data input and data output (Figure 1). We recommend Accu-Cable DMX cables. If you are making your own cables, be sure to use standard 110-120 Ohm shielded cable (This cable may be purchased at almost all pro lighting stores). Your cables should be made with a male XLR connector on one end and a female XLR connector on the other. Also remember that DMX cable must be daisy chained and cannot be split.



Figure 1

**Notice:** Be sure to follow figures two and three when making your own cables. Do not use the ground lug on the XLR connector. Do not connect the cable’s shield conductor to the ground lug or allow the shield conductor to come into contact with the XLR cable’s outer casing. Grounding the shield could cause a short circuit and result in erratic behavior.

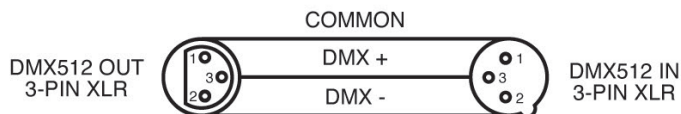


Figure 2



Figure 3

XLR Pin Configuration
Pin 1 = Ground
Pin 2 = Data Compliment (negative)
Pin 3 = Data True (positive)

**Special Note: Line Termination.** When longer runs of cable are used, you may need to use a terminator on the last unit to avoid erratic behavior. A terminator is a 110-120 ohm 1/4 watt resistor which is connected between pins 2 and 3 of a male XLR connector (DATA + and DATA -). This unit is inserted in the female XLR connector of the last unit in your daisy chain to terminate the line. Using a cable terminator (ADJ part number **Z-DMX/T**) will decrease the chances of erratic behavior.



Termination reduces signal errors and avoids signal transmission problems and interference. It is always advisable to connect a DMX terminal, (Resistance 120 Ohm 1/4 W) between PIN 2 (DMX-) and PIN 3 (DMX +) of the last fixture.

Figure 4

**5-Pin XLR DMX Connectors.** Some manufacturers use 5-pin DMX-512 data cables for DATA transmission in place of 3-pin. 5-pin DMX fixtures may be implemented in a 3-pin DMX line. When inserting standard 5-pin data cables into a 3-pin line a cable adaptor must be used. These adaptors are readily available at most electronics stores. The chart below details a proper cable conversion.

3-Pin XLR to 5-Pin XLR Conversion		
Conductor	3-Pin XLR Female (Out)	5-Pin XLR Male (In)
Ground/Shield	Pin 1	Pin 1
Data Compliment (- signal)	Pin 2	Pin 2
Data True (+ signal)	Pin 3	Pin 3
Not Used		Do Not Use
Not Used		Do Not Use

**LCD Backlight On/Off:**

To set the LCD backlight to turn off after 20 seconds, press the MODE button until “OTHER” is displayed, then press the SET UP button until “OTHER BLGT:XX” is displayed. “XX” represents the current state. Press the UP or DOWN buttons to set the backlight to turn “OFF” after 20 seconds or “ON” to stay on at all times.

**Operating Modes:**

The Encore Profile 1000 WW has three operating modes:

- Dimmer Mode - Adjust the intensity of the white color.
- Fade Mode - The unit will fade in and out.
- DMX Control Mode - This function will allow you to control each individual trait with a standard DMX 512 controller.

**Dimmer Mode:**

1. Plug the fixture in and press the MODE button until “MANUAL WHIT:XXX” is displayed.
2. Press the UP and DOWN buttons to adjust intensity.
3. After the output intensity has been set, strobing can be activated by pressing the SET UP button.
4. “STRO” will be displayed, indicating that the device has entered strobing mode. The strobing can be adjusted between “00” (strobing off) to “15” (fastest strobing).

**DMX Mode:**

Operating through a DMX controller gives the user the freedom to create custom own programs tailored to his or her own individual needs. The Encore Profile 1000 WW has 3 DMX modes: 1 channel mode, 2 channel mode, and 3 channel mode. See the **Channel Mode** sections of this manual for a detailed description of each channel mode’s DMX traits.

1. This function will allow you to control each fixture’s traits with a standard DMX 512 controller.
2. To run your fixture in DMX mode, press the MODE button until “DMX MODE ADDR:XXX” is displayed. “XXX” represents the currently selected DMX address. Use the UP or DOWN buttons to select your desired DMX address, then press the SETUP button to select your DMX Channel mode.
3. Use the UP or DOWN buttons to scroll through the DMX Channel modes. The Channel modes are listed below:
  - 1 Channel DMX Mode (“CHAN: 01”)
  - 2 Channel DMX Mode (“CHAN: 02”)
  - 3 Channel DMX Mode (“CHAN: 03”)
4. After you have selected for desired DMX Channel Mode, connect the fixture to any standard DMX controller via the XLR connections on the fixture and the controller.

**Fade Mode:**

1. Plug the fixture in and press the MODE button until “FADE RUN SPEED:XX” is displayed. “XX” represents a number between 01-16.
2. Use the UP and DOWN buttons to find your desired color fade mode.
3. Press the SET UP button and “SPEED:XX” will be displayed. Use the UP and DOWN buttons to adjust the speed of the color fade.



**System Reset:**

This will return the fixture to its factory settings.

1. Plug the fixture in and press the MODE button until “OTHER MODE” is displayed.
2. Press the SET UP button until “SYSRESET” is displayed.
3. Press the UP and DOWN buttons simultaneously to reset, or press the MODE button to exit without making any changes.

**Dimmer Curve:**

This is used to set the dimming curve used with DMX mode. See the **Dimmer Curve Chart** section of this manual for detailed information.

1. Plug the fixture in and press the MODE button until “DMX MODE ADDR:XXX” is displayed.
2. Press the SET UP button until “DELAY:X” is displayed. “X” represents the displayed dimmer curve (0-4).
  - 0 - Standard
  - 1 - Stage
  - 2 - TV
  - 3 - Architectural
  - 4 - Theatre
3. Press the UP or DOWN buttons to scroll through and select your desired dimming curve.

**DMX State:**

This mode defines how the fixture will behave in the event that DMX communication is lost or interrupted. It also determines the mode that the fixture will default to when it is first connected to power.

1. Plug the fixture in and press the MODE button until “DMX MODE ADDR:XXX” is displayed.
2. Press the SET UP button until “DMX MODE NO” is displayed. The current DMX state will be displayed.
  - “BLACK” (Blackout) - If the DMX signal is lost or interrupted, the unit will automatically go into stand by mode.
  - “HOLD” (Last State) - If the DMX signal is lost or interrupted, the fixture will stay in the last DMX set up.
  - “AUTO” (Auto Run) - If the DMX signal is lost or interrupted, the unit will automatically go into Auto Run mode.
3. Press the UP or DOWN button to scroll through and select your desired DMX state.

**IR Receiver On/Off:**

This function is used to activate and deactivate the infrared sensor. When this function is activated you can control the fixture using the ADJ LED RC2 (sold separately), ADJ UC IR (sold separately), and Airstream IR app. Please see the **ADJ LED RC2 Operation** and **UC IR & Airstream IR Functions** sections of this manual for remote controls and functions. To control the Encore Profile 1000 WW, plug the included IR receiver into IR receiver input located on the rear of the controller. You must aim the remote at the IR sensor and be within the maximum operating range of 30 feet.

1. Plug the fixture in and press the MODE button until “OTHER MODE” is displayed.
2. Press the SET UP button until “IR: XX” is displayed.
3. Press the UP or DOWN buttons to either activate the remote function (On) or deactivate it (Off).

**Gamma:**

This feature is predominately used when shooting video. Adjust the gamma setting to clean up any lines that might be seen on camera.

1. Plug the fixture in and press the MODE button until “GAMMA” is displayed. The current gamma setting will be displayed.
2. Use the UP and DOWN buttons to switch the gamma setting.

**Fan Speed:**

This will let you set your desired fan speed.

1. Plug the fixture in and press the MODE button until “FAN SPEED” is displayed, and press ENTER.
2. Use the UP and DOWN buttons to switch between the different fan speeds.

**Refresh Rate:**

This feature is predominately used when shooting video. Adjust the frequency setting to clear up any LED flicker that might be seen on camera.

1. Plug the fixture in and press the MODE button until “FREQUENC” is displayed. The current frequency setting will be displayed.
2. Use the UP and DOWN buttons to switch the frequency setting.

**PCB Temperature:**

This will check the current temperature of unit as well as switch between fahrenheit and celsius.

1. Plug the fixture in and press the MODE button until “OTHER MODE” is displayed.
2. Press the SET UP button until “TEM:XXXX” is displayed.
3. Use the UP and DOWN buttons to switch between fahrenheit and celsius.

The knobs located on the right side of unit are used to adjust the focus and the zoom. For a tighter/narrow beam move the first/front knob towards the front of the fixture, and move the second knob towards the rear. For a wider beam, move the first/front knob towards the middle of the fixture, and move the second knob towards the middle as well. Adjust accordingly.

This function allows you to link units together to run in a Primary-Secondary setup, where one unit will act as the controlling unit and the others will react to the controlling unit's behavior. Any unit can act as a Primary or as a Secondary, but only one unit in a linked network of fixtures can be programmed to act as the "Primary."

**Connections and Settings:**

1. Daisy chain your units via the XLR connectors on the rears of the units. Use standard XLR data cables to link your units together. Remember that the Male XLR connector is the input and the Female XLR connector is the output. The first unit in the chain (Primary) will use the female XLR connector only, and the last unit in the chain will use the male XLR connector only.
2. Set the "Primary" unit to your desired mode of operation.
3. On the "Secondary" units, press the MODE button until "Secondary Mode" is displayed. The unit is now set as the "Secondary" unit. Each secondary unit must be set to the same setting.
4. Connect the first "Secondary" unit to the "Primary." The "Secondary" unit or units should now follow the "Primary".

The Encore Profile 1000 WW comes with 4 replaceable gobos (see below). To install a gobo, unscrew and remove the phillips screw located at the bottom of the gobo holder. Gently lift part of the gobo holder side up and carefully slide the gobo into place. Reinstall and tighten the screw. Slide the gobo holder into the slot located at the top of the unit in front of the framing lever.



The **ADJ LED RC2** infrared remote (sold separately) has many different functions to control your Encore Profile 1000 WW. To control the fixture you must aim the controller at the infrared sensor and be within the maximum range of 30 feet. To use the ADJ LED RC2 you must first activate the fixture's infrared sensor; see the **Operating Instructions** section of this manual for detailed instructions on how to do so.

**BLACKOUT** - Pressing this button will blackout the fixture.

**SELECT PROG** - Pressing this button will activate fade mode. Press the “+” or “-” buttons to adjust the running speed.

**FLASH** - This button will activate the strobe effect. You can control the flash rate by pressing the “+” and “-” buttons. Press the White button again to exit strobing mode.

**SPEED** - This button has no active function for this fixture.

**DMX MODE** - This button will cycle between DMX addressing, DMX channel mode, and dimmer curve selection. This button will also switch between the different DMX channel modes. Please see the **Channel Mode** sections of this manual for DMX modes, values, and traits.

**SECONDARY/SOUND ACTIVE** - This designates the fixture as a secondary fixture in a Primary/Secondary configuration. Sound activity does not apply to this fixture.

**SET ADDRESS** - Press this button to set the DMX address. Press this button first, then use the number keys to enter a 3-digit value. For example, keying in “S-0-0-1” designates a DMX address of 1. If the address is correctly set, the LED will flash and the unit will automatically go into DMX mode.

**R G B W** - Buttons R G B not actively in use for this fixture. Press White button and the use the “+” or “-” to adjust the output intensity. Press the FLASH button to activate strobing and use the “+” or “-” to adjust the flash speed.

**“+” and “-”** - These buttons adjust the flash rate, speed of the fade mode, and output intensity.

**DMX Mode:**

Operating through a DMX controller gives the user the freedom to create custom programs tailored to his or her own individual needs. Follow the directions below to set your DMX address, DMX channel mode, and dimmer curve mode.

1. Before connecting to a DMX controller, please select your desired DMX channel mode by pressing the DMX Mode button, and use the “+” or “-” buttons to scroll through the DMX channel modes. Set the mode before you address the fixture.
2. Press this button again to enter dimmer curve selection and use the “+” or “-” buttons to scroll through the dimmer curve modes.
3. After you have selected your mode, set the DMX address for the fixture by pressing the “S” button. When the “S” button is pressed the LED’s will flash 2-3 times. Use the number keys to key in your desired address.

**Note:** When setting the DMX address, the LED display will flash each time a key is pressed. The number of flashes following each key press indicated the selected DMX channel mode, as described below. When you have set the DMX address correctly, all LED’s will flash 2-3 times.

- If the White LED flashes 1 time you are in 1 Channel Mode.
  - If the White LED flashes 2 times you are in 2 Channel Mode.
  - If the White LED flashes 3 times you are in 3 Channel Mode.
4. Now you may connect the fixture via the XLR connections to any standard DMX controller. Please see the **Channel Mode** sections of this manual for detailed descriptions of the DMX modes, values, and traits.

The **UC IR (sold separately)** infrared remote gives you control of various functions. To control the fixture, you must aim the remote at the front of the fixture and be within the maximum range of 30 feet

The Encore Profile 1000 WW is also compatible with the **Airstream IR** app. The IR transmitter is available through any ADJ dealer or through the ADJ parts website. The transmitter plugs into the head-phone jack of your iOS phone or tablet. To control your IR fixture you must raise the volume to the maximum on your iOS phone or table and aim the transmitter at the front of the fixture and be within the maximum range of 15 feet. After you have purchased the Airstream IR transmitters, the app is a free download from the app store for your iOS phone or tablet. The app comes with 3 pages of control depending on the IR fixture you are using. Please see below for IR functions including the corresponding app page. To use either of these means of control you must first activate the fixtures infrared sensor. To activate the sensor please see the instructions in the ***Operating Instructions*** section of this manual.

### **Works with App page 1.**

**STAND BY** - Pressing this button will blackout the fixture. Press the button again to return to the initial state.

**FULL ON** - Hold this button down to fully illuminate the unit. When the button is released, the unit will return to its previous state.

**FADE/GOBO** - Press this button to activate fade mode.

**“DIMMER +” and “DIMMER -”** - Use these buttons to adjust output intensity when in dimmer mode.

**STROBE** - Press this button for strobing.

**COLOR** - Press this button to activate dimmer mode. Use the “DIMMER+” and “DIMMER-” to scroll through the colors.

**1-9** - These buttons are not used for this fixture

**SHOW 0** - This button is not used for this fixture.

**Encore Profile 1000 WW****1-Channel Mode**

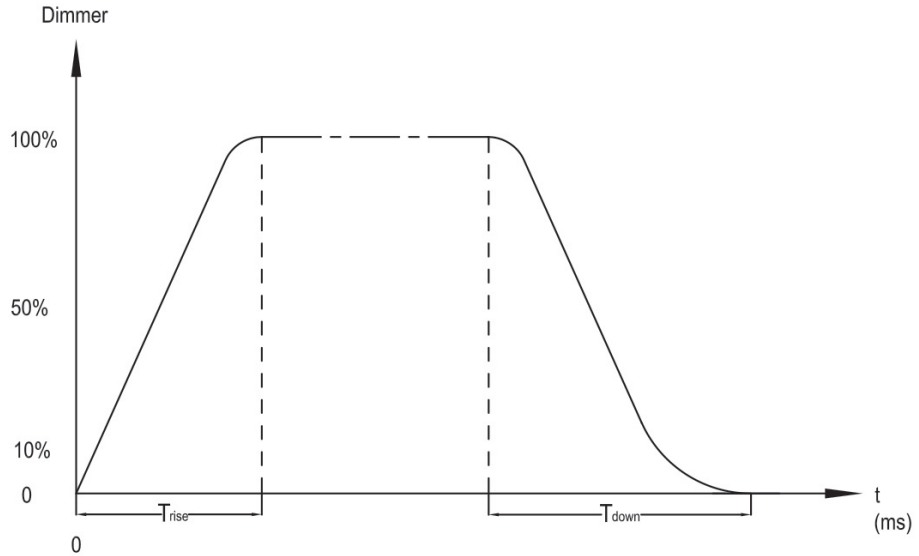
<b>Channel</b>	<b>Value</b>	<b>Function</b>
1	0 - 255	WHITE 0% - 100%

**Encore Profile 1000 WW****2-Channel Mode**

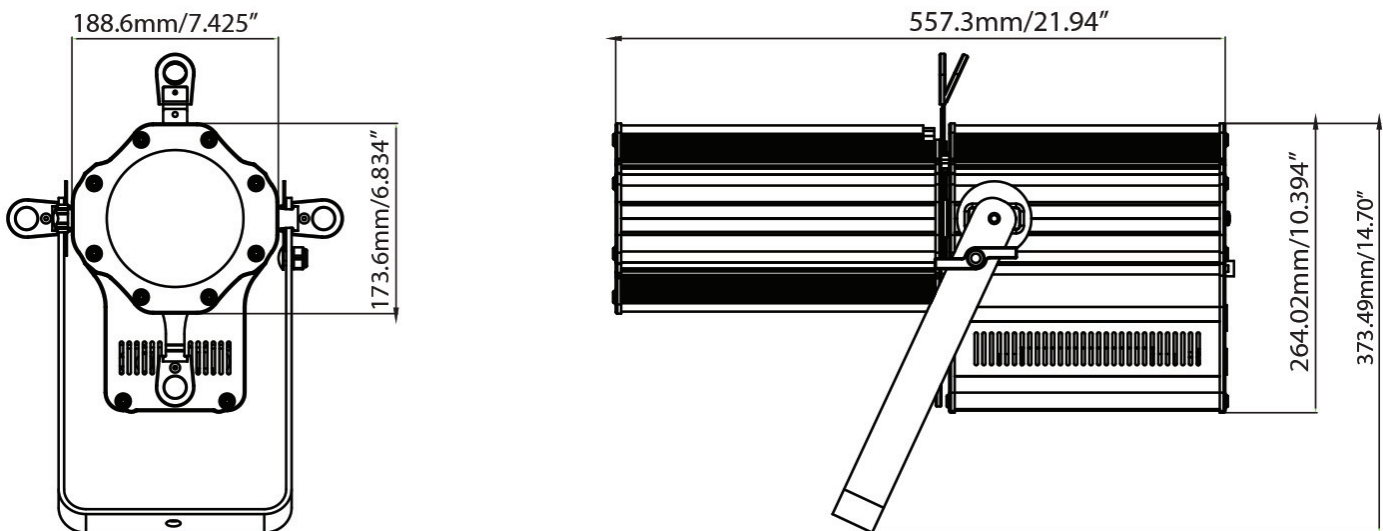
<b>Channel</b>	<b>Value</b>	<b>Function</b>
1	0 - 255	WHITE 0% - 100%
2	0 - 255	MASTER DIMMER 0% - 100%

**Encore Profile 1000 WW****3-Channel Mode**

<b>Channel</b>	<b>Value</b>	<b>Function</b>
1	0 - 255	WHITE 0% - 100%
2	0 - 255	MASTER DIMMER 0% - 100%
3	0 - 15 16 - 255	STROBING NO FUNCTION STROBING SLOW - FAST



Ramp Effect	0  255 0S (Fade Time)		0  255 1S (Fade Time)	
	T <sub>rise</sub> (ms)	T <sub>down</sub> (ms)	T <sub>rise</sub> (ms)	T <sub>down</sub> (ms)
Standard	0	0	0	0
Stage	780	1100	1540	1660
TV	1180	1520	1860	1940
Architectural	1380	1730	2040	2120
Theatre	1580	1940	2230	2280





## Encore Profile 1000 WW

## Power Cord Daisy Chain

*This fixture is capable of being linked to other fixtures of the same model type by connected the locking power input and output sockets together in series.*

*The maximum number of fixtures that can be connected in this manner is 5 fixtures.*

*After this quantity has been reached, a new power outlet will be needed in order to accommodate additional fixtures. All linked fixtures must be of the same make and model type. DO NOT mix fixtures!*

## Encore Profile 1000 WW

## Fuse Replacement

Disconnect the unit from its power source. Remove the power cord from the unit, and locate the fuse holder above the power connection. Use a phillips head screwdriver to remove the fuse holder, then remove the fuse located inside the fuse holder and replace with a new fuse. Reinstall the fuse holder and secure it in place.

## Encore Profile 1000 WW

## Trouble Shooting

Listed below is a common problem the user may encounter, with a potential solution.

### ***Unit not responding to DMX:***

Check that the DMX cables are connected and wired correctly (pin 3 is “hot”; on some other DMX devices pin 2 may be “hot”). Also, check that all cables are connected to the correct connectors; the order in which the inputs and outputs are connected can affect the operation of the fixture.

## Encore Profile 1000 WW

## Cleaning

Due to fog residue, smoke, and dust, cleaning the internal and external optical lenses must be carried out periodically in order to optimize light output.

- Use normal glass cleaner and a soft cloth to wipe down the outside casing.
- Clean the external optics with glass cleaner and a soft cloth every 20 days.
- Always be sure to dry all parts completely before plugging the unit back in.

Cleaning frequency depends on the environment in which the fixture operates (i.e. smoke, fog residue, dust, dew).

- A. ADJ Products, LLC hereby warrants, to the original purchaser, ADJ Products, LLC products to be free of manufacturing defects in material and workmanship for a prescribed period from the date of purchase (see specific warranty period on reverse). This warranty shall be valid only if the product is purchased within the United States of America, including possessions and territories. It is the owner's responsibility to establish the date and place of purchase by acceptable evidence, at the time service is sought.
- B. For warranty service, you must obtain a Return Authorization number (RA#) before sending the product back—please contact ADJ Products, LLC Service Department at 800-322-6337. Send the product only to the ADJ Products, LLC factory. All shipping charges must be prepaid. If the requested repairs or service (including parts replacement) are within the terms of this warranty, ADJ Products, LLC will pay return shipping charges only to a designated point within the United States. If the entire instrument is sent, it must be shipped in its original package and packaging material. No accessories should be shipped with the product. If any accessories are shipped with the product, ADJ Products, LLC shall incur no liability whatsoever for loss of or damage to any such accessories, nor for the safe return thereof.
- C. This warranty is void if the product serial number and/or labels are altered or removed; if the product is modified in any manner which ADJ Products, LLC concludes, after inspection, affects the reliability of the product; if the product has been repaired or serviced by anyone other than the ADJ Products, LLC factory unless prior written authorization was issued to purchaser by ADJ Products, LLC; if the product is damaged because it was not properly maintained as set forth in the product instructions, guidelines and/or user manual.
- D. This is not a service contract, and this warranty does not include maintenance, cleaning, or periodic checkup. During the period specified above, ADJ Products, LLC will replace defective parts at its expense with new or refurbished parts, and will absorb all expenses for warranty service and repair labor by reason of defects in material or workmanship. The sole responsibility of ADJ Products, LLC under this warranty shall be limited to the repair of the product, or replacement thereof, including parts, at the sole discretion of ADJ Products, LLC. All products covered by this warranty were manufactured after August 15, 2012, and bear identifying marks to that effect.
- E. ADJ Products, LLC reserves the right to make changes in design and/or improvements upon its products without any obligation to include these changes in any products theretofore manufactured.
- F. No warranty, whether expressed or implied, is given or made with respect to any accessory supplied with products described above. Except to the extent prohibited by applicable law, all implied warranties made by ADJ Products, LLC in connection with this product, including warranties of merchantability or fitness, are limited in duration to the warranty period set forth above. And all warranties, whether expressed or implied, including warranties of merchantability or fitness, are limited in duration to the warranty period set forth above. The consumer's and/or dealer's sole remedy shall be such repair or replacement as is expressly provided above; and under no circumstances shall ADJ Product, LLC be liable for any loss and/or damage, direct and/or consequential arising out of the use of, and/or inability to use this product.
- G. This warranty is the only written warranty applicable to ADJ Products, LLC products, and supersedes all prior warranties and written descriptions of warranty terms and conditions heretofore published.

**MANUFACTURER'S LIMITED WARRANTY PERIODS:**

- Non-LED Lighting Products = 1-Year (365 Days) (Including Special Effect Lighting, Intelligent Lighting, UV lighting, Strobes, Fog Machines, Bubble Machines, Mirror Balls, Par Cans, Trussing, Lighting Stands, Power/Data Distribution, etc. excluding LED and lamps)
- Laser Products = 1-Year (365 Days) (excluding laser diodes which have a 6-Month Limited Warranty)
- LED Products = 2-Year (730 Days) (excluding batteries which have a 180 Day Limited Warranty)
- NOTE: 2-Year (730 Days) Limited Warranty ONLY applies to product purchased within the United States.
- StarTec Series = 1-Year (365 Days) (excluding batteries which have a 180 Day Limited Warranty)
- ADJ DMX Controllers = 2 Year (730 Days)
- American Audio Products = 1 Year (365 Days)

<b>Model:</b>	<b>Encore Profile 1000 WW</b>
Voltage:	100V ~ 240V / 50~60Hz
LEDs:	1 x 120W WW COB LED (3200K, CRI 98)
Working Position:	Any safe working position
Power Draw:	144W
Power Cord Daisy Chain:	5 Fixtures Max
Fuse:	3 Amp
Weight:	19 Lbs. / 8.5 Kgs.
Dimensions:	22" (L) x 9.75" (W) x 15.25" (H) 560 x 250 x 385mm
Colors:	Warm White
DMX Channels:	3 DMX Modes: 1-channel, 2-channel, & 3-channel mode
Warranty:	2 Years (730 days)

ADJ Products, LLC  
6122 S. Eastern Ave. Los Angeles, CA 90040 USA  
Tel: 323-582-2650 / Fax: 323-725-6100  
Web: [www.adj.com](http://www.adj.com) / E-mail: [info@adj.com](mailto:info@adj.com)

**Follow Us On:**

[facebook.com/americanadj](https://facebook.com/americanadj)  
[twitter.com/americanadj](https://twitter.com/americanadj)  
[youtube.com/adjlighting](https://youtube.com/adjlighting)

A.D.J. Supply Europe B.V.  
Junostraat 2  
6468 EW Kerkrade  
The Netherlands  
[service@adjgroup.eu](mailto:service@adjgroup.eu) / [www.adj.eu](http://www.adj.eu)  
Tel: +31 45 546 85 00 / Fax: +31 45 546 85 99

