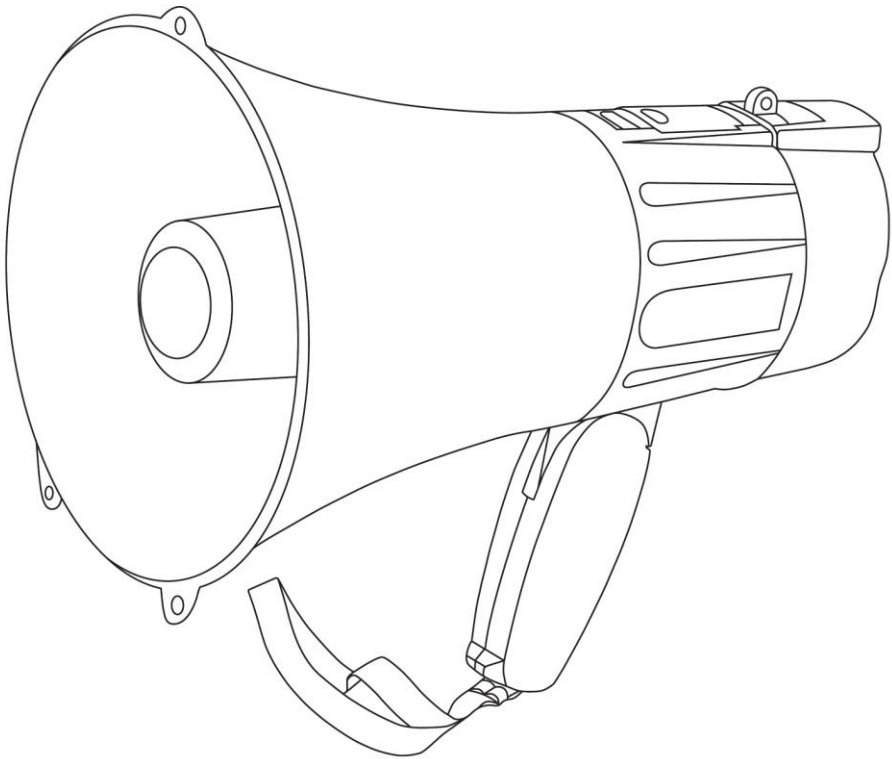


# L15RBT

User Manual

Rechargeable Megaphone  
with mp3 + Bluetooth

Item ref: 952.025UK



Version 1.0



Caution: Please read this manual carefully before operating  
Damage caused by misuse is not covered by the warranty

## Introduction

Thank you for choosing the Adastra L15RBT rechargeable megaphone for voice reinforcement. This product is designed to offer convenient and easy operation for a wide range of portable public-address requirements. Please read and keep the following instructions to gain the best results from your product.

## Safety

The L15RBT megaphone can produce high sound pressure levels at close quarters. Please be aware not to aim the horn flare toward listeners in close proximity, which may risk damage to the listeners' hearing.

The L15RBT operates from a single 18650 Li-ion cell, which can be removed or recharged in situ. Using the supplied USB lead. If replacing the battery, please be sure to use an equivalent type and do not attempt to use other types of batteries or non-rechargeable cells.

## Positioning during operation

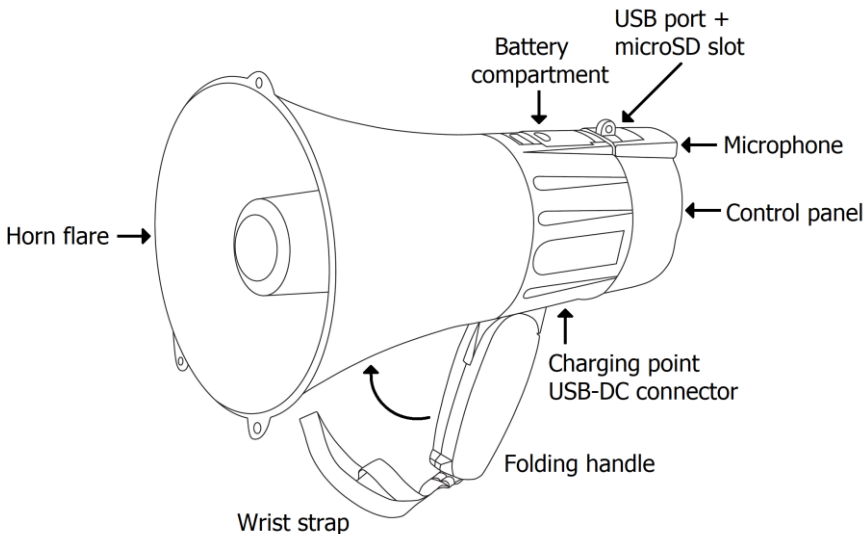
When in use, the hand grip of the megaphone should be folded out fully and held firmly with the flare facing toward the audience. Keeping the loop strap around the wrist is advised for added security. If needed, a shoulder strap may be attached to the 2 eyes moulded into the top of the housing. For standalone operation, fold the handle in and sit on a stable surface with the flare facing the audience.

In between uses, the megaphone can be placed on a flat surface with the flare facing downward.

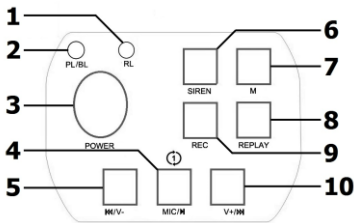
## Cleaning

The housing is water resistant and can be cleaned with a damp cloth. Do not use detergents or solvents on the housing and take care not to allow liquids to get inside the housing at the rear or via the battery compartment.

## Product layout



## Rear control panel



1. Recording Loop indicator
2. Power LED / Bluetooth LED
3. POWER on/off button
4. MIC or Play/pause button
5. Previous track or volume down button
6. Siren on/off button
7. Media select: USB, microSD, Bluetooth
8. REPLAY – playback recorded loop
9. REC – record microphone for looper
10. Next track or volume up button

## Setting up

The L15RBT is supplied with a single 18650 Li-ion rechargeable battery. Install the battery by unclipping the cover of the battery compartment on top of the housing and inserting the 18650 cell with the button + end facing upward. The cell may arrive with you fully charged but if not, the power LED will not light or appear dim and the battery will need to be recharged.

A USB to DC plug lead is provided with the L15RBT for recharging the battery installed in the unit from any 5V, 1A USB power supply or charger. Connect this lead from the DC jack on the underside of the housing behind the handle to an appropriate USB power supply.

Alternatively, the 18650 cell may be removed and charged externally using a battery charger that is specifically designed for this type of cell.

## Operation

Make sure that the hand grip is folded out fully and held firmly with the rear panel facing toward the operator and the flare facing away. For added security, place the loop strap around your wrist.

Press the POWER button (3) in and after 3 seconds, the PL/BL indicator (2) will light red and the microphone will be activated. Speak into the microphone at approximately 10-20mm distance.

(do not touch the microphone to your mouth as this can cause feedback)

The output level can be adjusted by pressing and holding the volume down or volume up buttons (5, 10)

For continuous messages or alerts, it is possible to record up to 4 minutes of speech and replay in a continuous loop. To do this, press the REC button (9) and the RL indicator (1) will light. Speak the required message into the microphone. Press REC again when the message is completed. (if longer than 4 minutes, recording will stop automatically).

To play the recorded message back, press REPLAY (8). The RL indicator will flash and the message will be continually repeated until either REPLAY or REC is pressed again to stop the loop. The output level can again be adjusted by pressing and holding the volume down or volume up buttons.

The L15RBT also has an inbuilt player for playback of pre-recorded audio tracks in mp3 format stored on either a USB stick or microSD card. If power is switched on and a USB stick or microSD with mp3 tracks stored is inserted into the connector at the top of the housing, playback should begin automatically. If playback doesn't start automatically, press the MIC/▶| button (4) and/or check that the stored tracks are in the correct format.

- Press MIC/▶| button to play or pause the current track. The PL indicator will flash slowly during playback.
- Press and hold the MIC/▶| button to repeat the current track. The PL indicator will flash quickly.
- Press the ◀/volume down button (5) to go back to the previous track.
- Hold the ◀/volume down button to reduce the output level.
- Press the ▶/volume up button (10) to advance to the next track.
- Hold the ▶/volume up button to increase the output level.

If both USB stick and microSD card are inserted with mp3 tracks stored, the last one inserted will play back automatically.

The L15RBT also has an inbuilt Bluetooth wireless receiver for pairing with a smart phone for playback of tracks or as a remote microphone using a generic Bluetooth microphone to speaker app. The M button (7) selects between USB, microSD or Bluetooth playback.

When Bluetooth is active, the PL/BL indicator (2) will light up blue. Open the Bluetooth menu on the smart phone and search for a device called "Megaphone bltooth", then select to pair with it. When pairing is confirmed, there will be a confirmation sound played through the L15RBT and playback of audio from the smart phone will be sent wirelessly to the L15RBT. If there is no playback through the megaphone, check volume of the smart phone and the V+ button on the L15RBT to ensure the volume is not turned down. Otherwise, check that there are no other paired "Megaphone bltooth" devices stored and if so, check through each in turn to find the correct unit. Bluetooth range is typically 5-8m and if out of range, there will be no playback and it may be necessary to re-connect with the L15RBT for playback to be resumed. Playback controls ▶|, ◀ and ▶ operate in a similar way for Bluetooth playback as for USB/microSD playback.

The L15RBT also has an inbuilt siren for emergency alerts. Be aware that this is very loud and do not point directly toward people at close range. To operate the siren, press the SIREN button (6) & press again to cancel it.

Note: The siren always reverts the output level to full volume and stops any mp3 or loop playback.

When not in use, switch off the power button and place the megaphone face down (flare down) onto a flat surface. Folding the handle can avoid damage in storage or transport. Remove the battery if not being used for long periods.

## Specifications

Battery	Li-ion 3.7Vdc 1500mAh (supplied)
Recording	Up to 240 seconds looper
Rated output power	15W
Range	400m
Audio source	USB/microSD mp3 player & Bluetooth receiver
Dimensions	245 x 154 x 148mm
Weight	530g (inc. battery)



**Disposal:** The "Crossed Wheelie Bin" symbol on the product means that the product is classed as Electrical or Electronic equipment and should not be disposed with other household or commercial waste at the end of its useful life. The goods must be disposed of according to your local council guidelines.

*Errors and omissions excepted.  
Copyright© 2020. AVSL Group Ltd.*