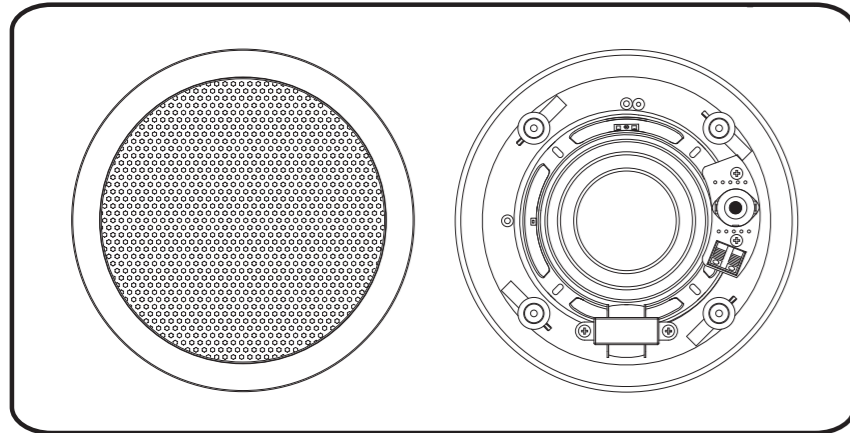




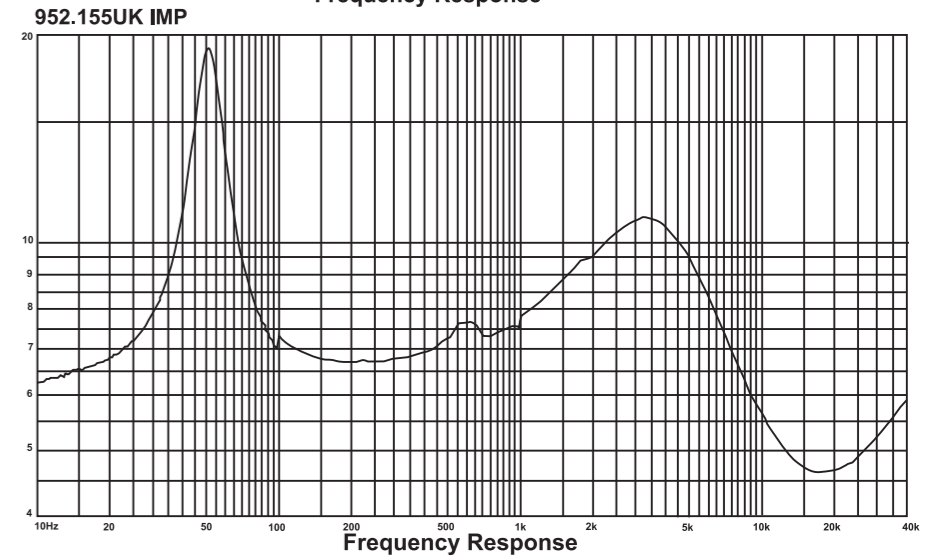
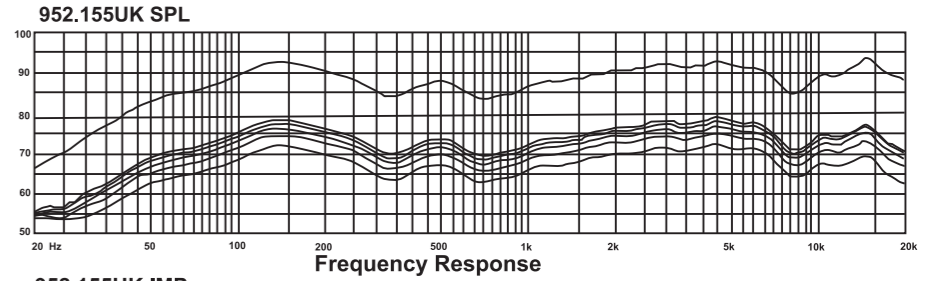
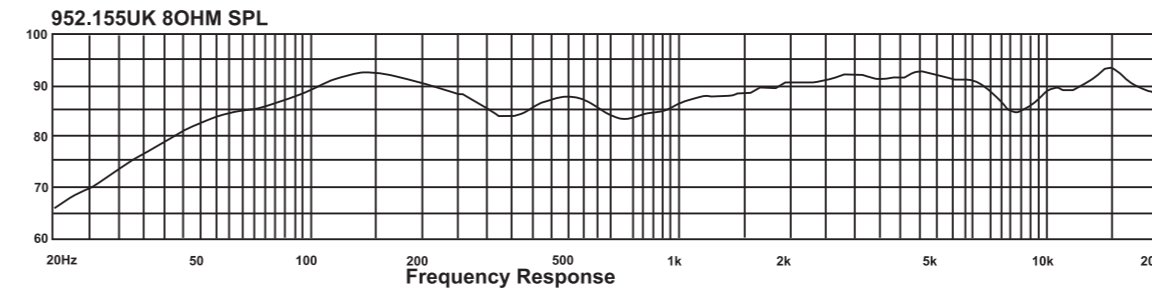
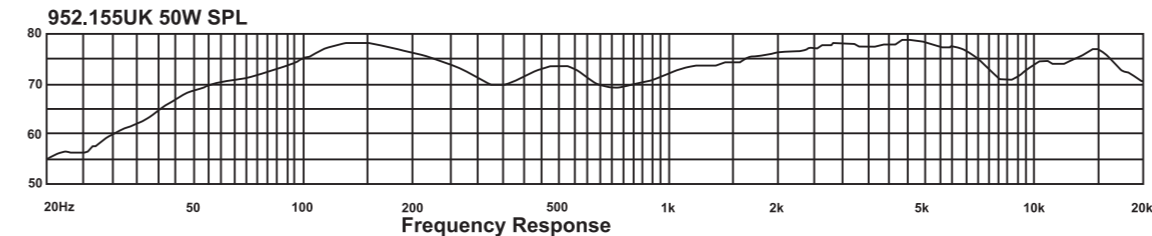
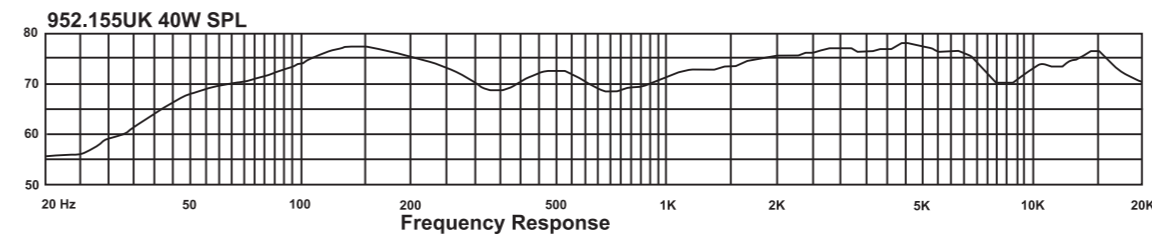
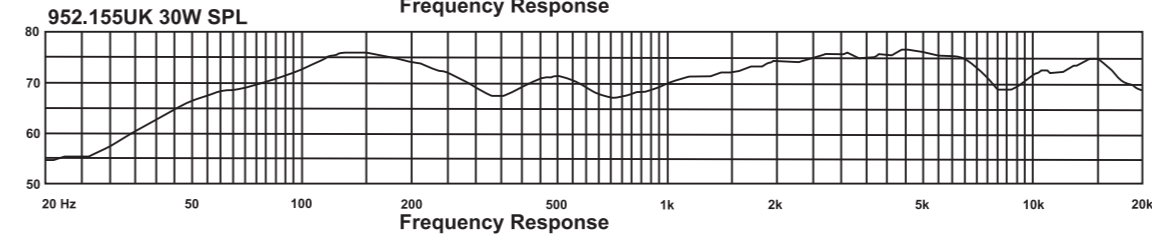
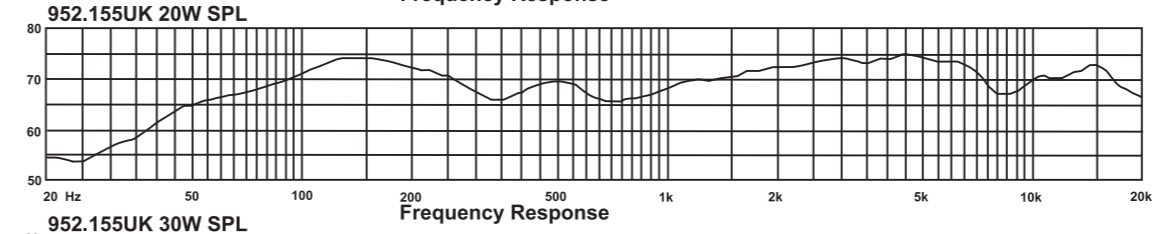
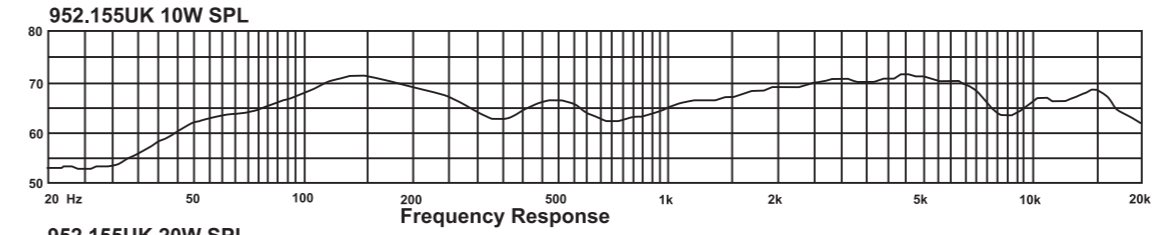
952.155UK

2 WAY CEILING SPEAKER

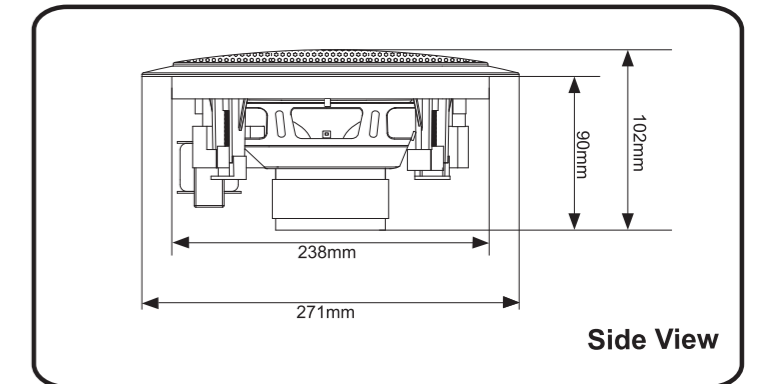


952.155UK Technical Specifications

Rated power	60 Watts RMS
Tappings 100 volt line	50/40/30/20/10 Watts
Transformer Impedance, Ohms, 100V	0.2k/0.25k/0.333k/0.5k/1k Ω
Driver impedance	8 Ohms
Effective frequency range (BS6840)	60-20 KHz
S.P.L@1m, 1watt, dB, Test Signal Bandwidth 100Hz - 10KHz	86 Hz
S.P.L@ Full power Octave Bandwidth	90 dB
Acoustic Power (dB, PWL@1 watt) 1k/2kHz	86/90 dB
Overall diameter	Φ 271mm
Net weight	1.85 Kg
Colour/Finish	White
Material	Plastic Baffle ABS with UV inhibitors Metal Driver Chassis & Grille
Mounting Depth	95mm
Cut-out	Φ 238mm



952.155UK



www.avsl-adastra.com