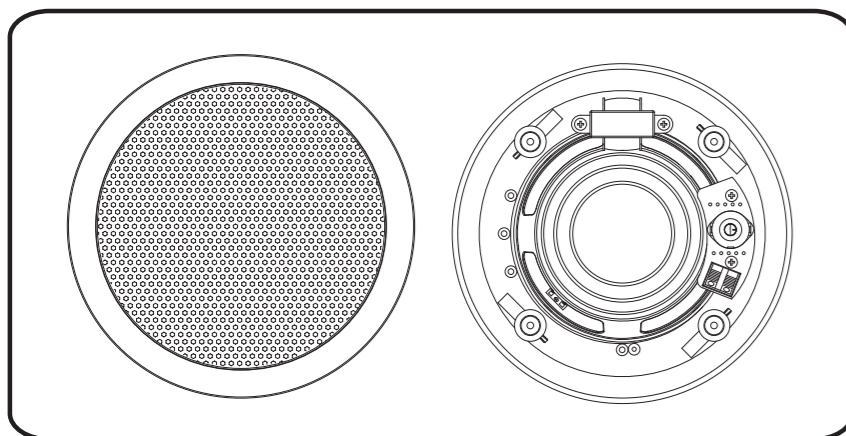




## 952.153UK

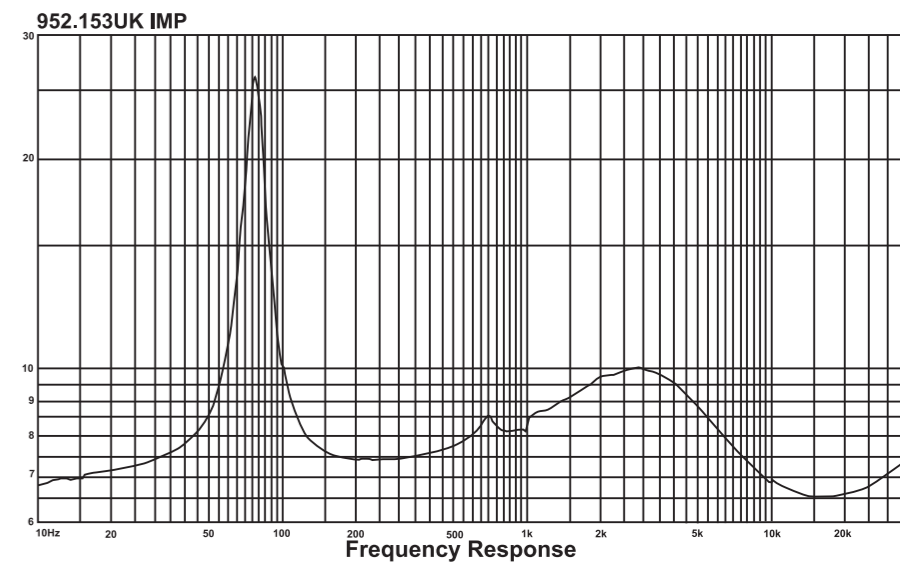
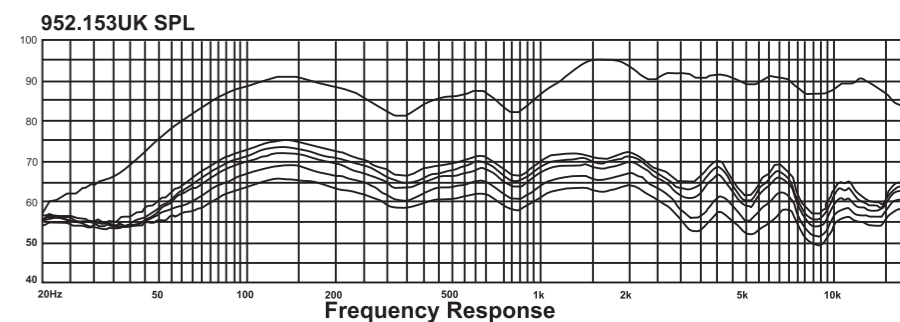
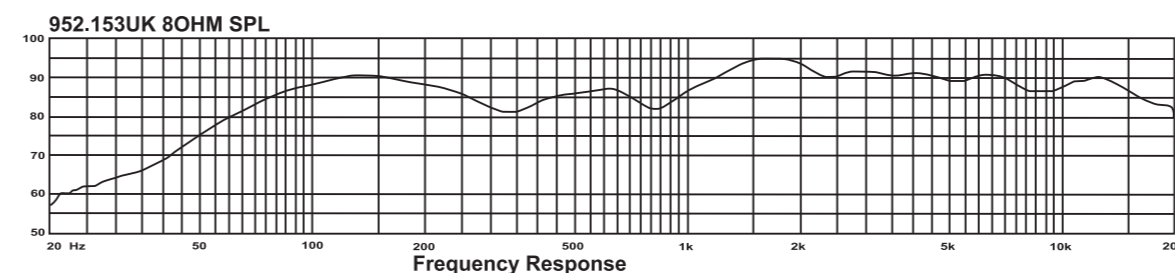
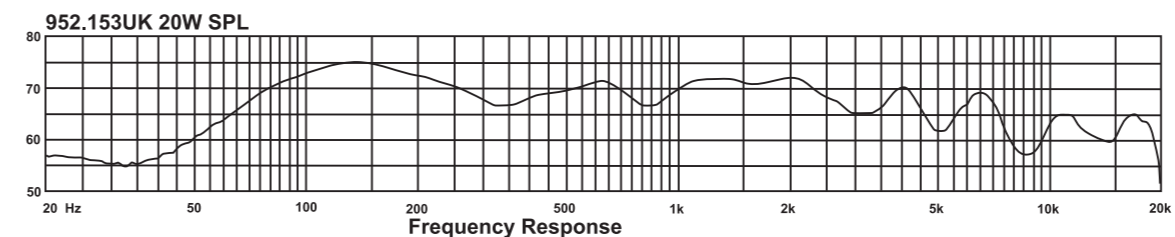
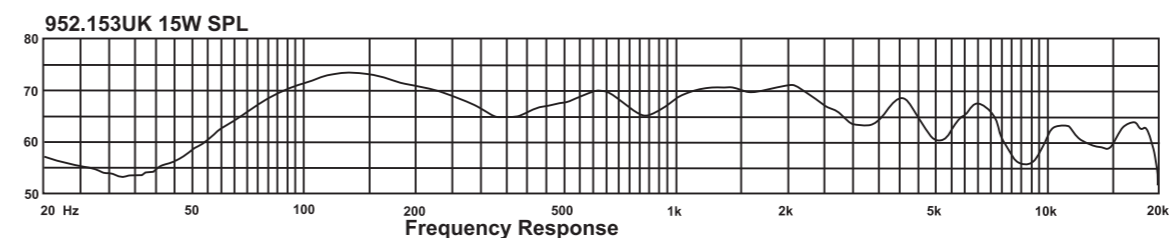
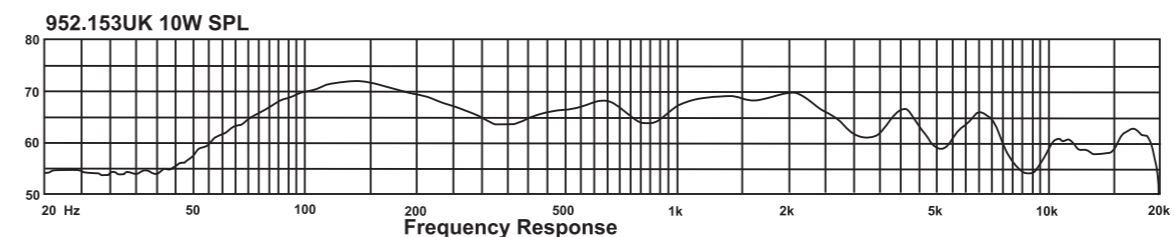
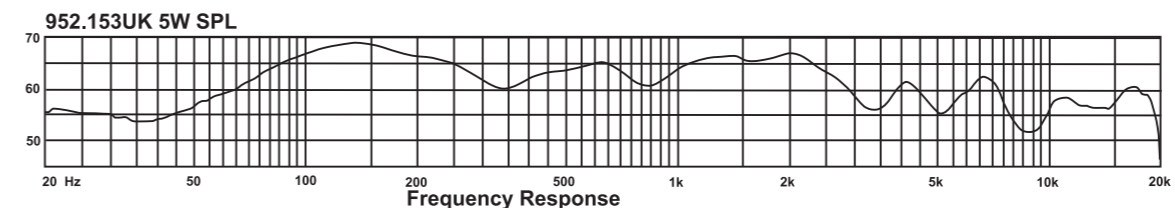
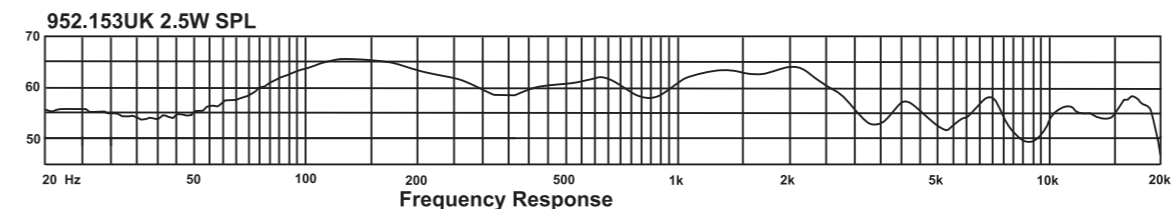
### 2 WAY CEILING SPEAKER



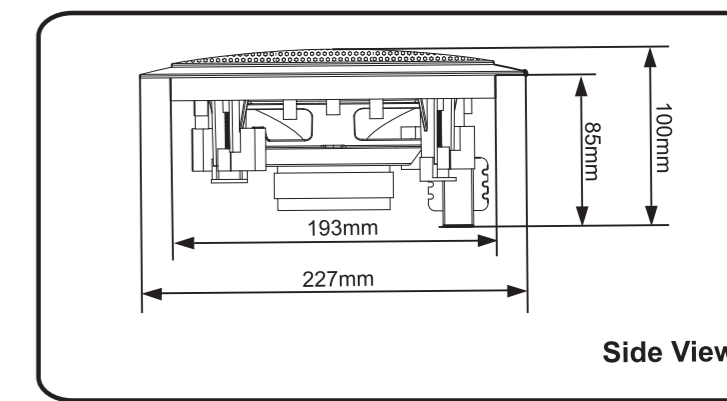
### 952.153UK

### Technical Specifications

Rated power	50 Watts RMS
Tappings 100 volt line	20/15/10/5/2.5 Watts
Transformer Impedance, Ohms, 100V	0.5k/0.667k/1k/2k/4k $\Omega$
Driver impedance	8 Ohms
Effective frequency range (BS6840)	70-20 KHz
S.P.L@1m, 1watt, dB, Test Signal Bandwidth 100Hz - 10KHz	88 Hz
S.P.L@ Full power Octave Bandwidth	89 dB
Acoustic Power (dB, PWL@1 watt) 1k/2kHz	86/94 dB
Overall diameter	$\Phi$ 227mm
Net weight	1.25 Kgs
Colour/Finish	White
Material	Plastic Baffle ABS with UV inhibitors Metal Driver Chassis & Grille
Mounting Depth	90mm
Cut-out	$\Phi$ 195mm



## 952.153UK



Side View

[www.avsl-adastra.com](http://www.avsl-adastra.com)