

952.461
SERIES

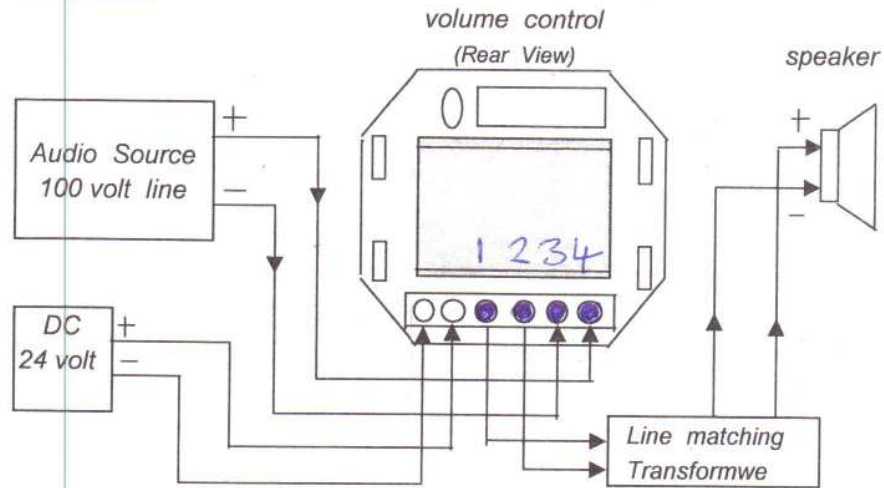
The speaker volume control ideal for low/moderate power installations in home, office and yacht.

Screw type connector speeds installation and insures reliable operation.

The control is only 45mm deep. It fits most standard single electrical junction box.

10 position switch step smoothness of the control.

Connection Diagram



22.00016

3/4 100V LINE IN
1/2 TO SPEAKER.