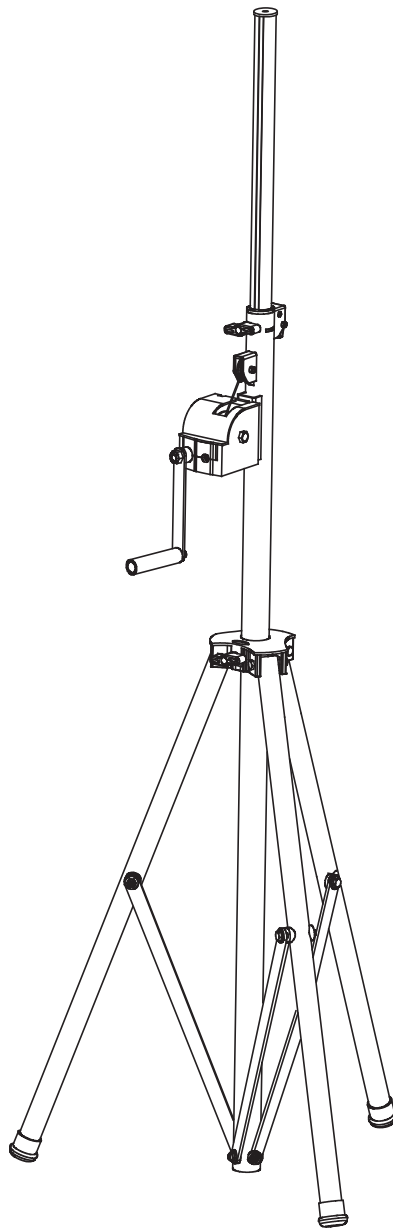


EQUINOX

3m 60kg Winch Stand

User Manual



Order code: STAN91

WARNING
FOR YOUR OWN SAFETY, PLEASE READ THIS USER MANUAL CAREFULLY BEFORE YOUR INITIAL SET-UP!

- Before your initial set-up, please make sure that there is no damage caused during transportation.
- Should there be any damage, consult your dealer and do not use the equipment.
- To maintain the equipment in good working condition and to ensure safe operation, it is necessary for the user to follow the safety instructions and warning notes written in this manual.
- Please note that damages caused by user modifications to this equipment are not subject to warranty.
- The stand must only be operated in an exactly vertical position.
- The total load must be centered or evenly distributed on the stand.
- DO NOT use the stand for loads that exceed the maximum provided in this manual.
- DO NOT use the stand if any welded joints or castings are cracked or appear compromised.
- Never lean anything against the stand.
- All sliding and rotating mechanisms must be lubricated and inspected regularly.
- The cable should be inspected for fraying prior to each use.
- DO NOT use a stand that has been dropped.

IMPORTANT:

The manufacturer will not accept liability for any resulting damages caused by the non-observance of this manual or any unauthorised modification to the equipment.

WARRANTY: One year from date of purchase

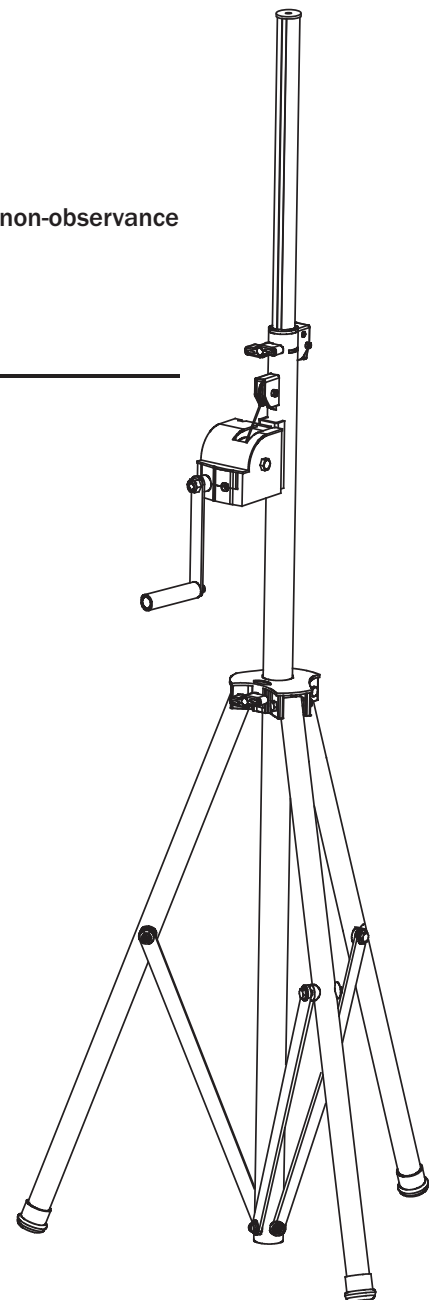
3m 60kg Winch Stand

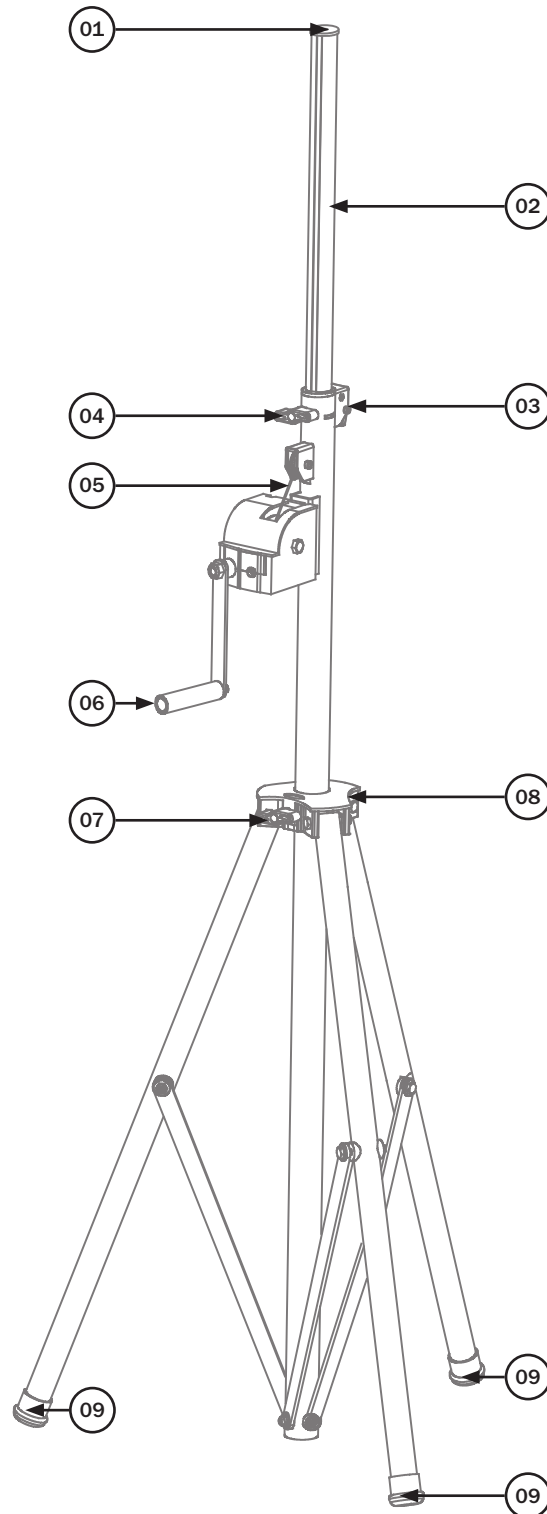
Sturdy wind up stand manufactured featuring cable lift winch mechanism. Manufactured from high grade components with no structural plastic parts for durability and reliability.

- 35mm upper column diameter
- M10 threaded mount suitable for individual fixtures or truss adaptors
- Spring loaded locking mechanism
- Black, powder coated finish

Specifications	
Height	1800 - 3100mm
Tube diameter	35mm
Max. load	60kg
Maximum footprint	1460mm
Transport size	1.63m
Weight	13.1kg
Order code	STAN91

In the box:
1 x winch stand,
1 x M10 wing bolt &
1 x user Manual





01 - M10 mounting hole

02 - Mast

03 - Safety pin

04 - Tension knob

05 - Steel cable

06 - Folding winch crank handle

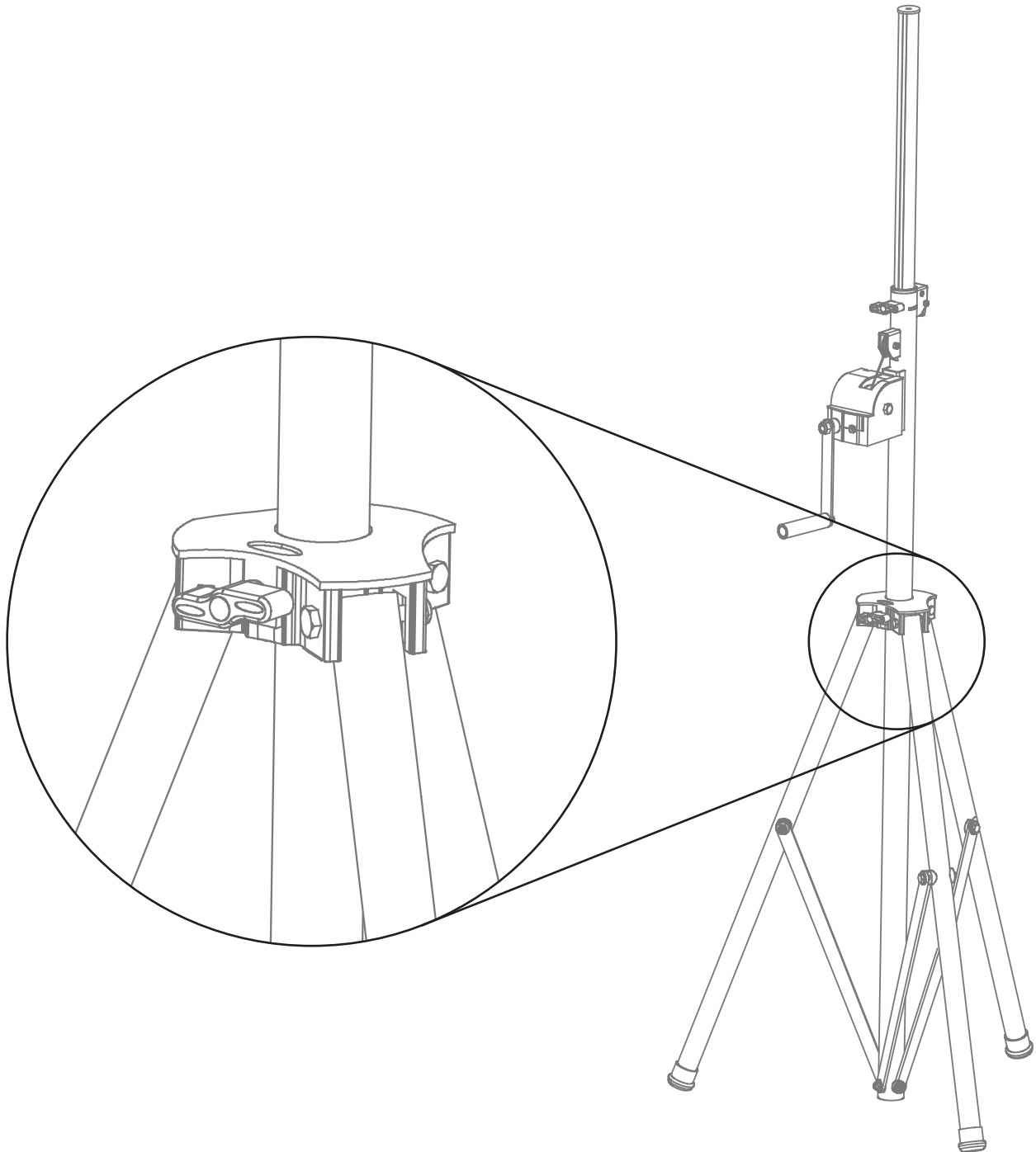
07 - Tension knob

08 - Collar

09 - Rubber feet

Positioning the Winch Stand:

1. Place the stand in a vertical position.
2. Loosen the tension knob that holds the legs in the vertical position.
3. Slide the collar down until all three legs are unfolded and the braces are horizontal.
4. Lock the legs by hand-tightening the tension knob on the collar.



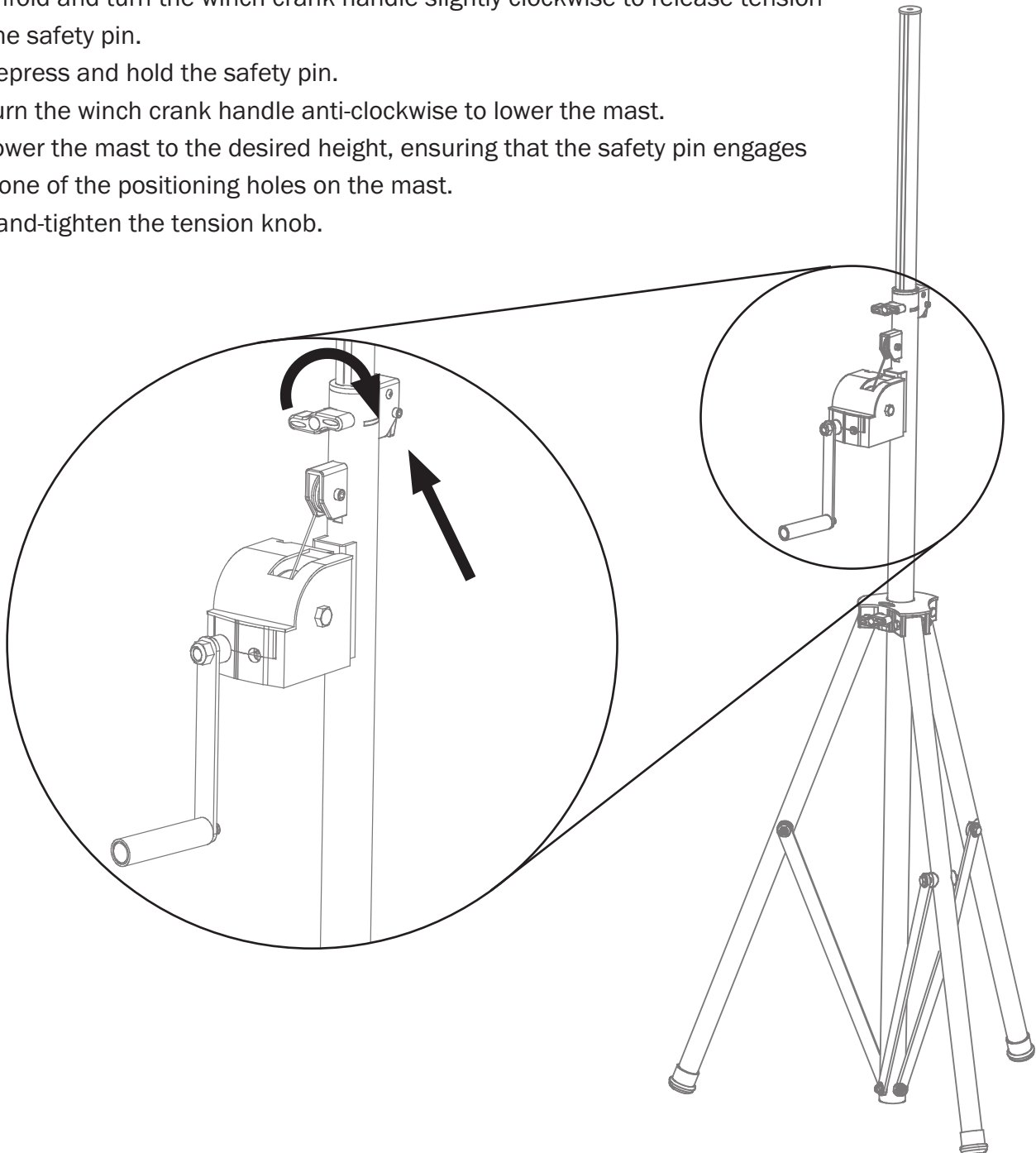
Please ensure the ground is firm enough to prevent any sinking of the stand.
The stability of the stand is extremely important to ensure all safety and winch features function properly.

Raising the mast/load:

1. Loosen the tension knob near the mast.
2. Turn the winch crank handle clockwise to lift the mast to the desired height.
3. Raise or lower the mast until the security pin engages into one of the positioning holes on the mast.
4. Hand-tighten the tension knob and fold the crank handle up.

Lowering the mast/load:

1. Loosen the tension knob near the mast.
2. Unfold and turn the winch crank handle slightly clockwise to release tension on the safety pin.
3. Depress and hold the safety pin.
4. Turn the winch crank handle anti-clockwise to lower the mast.
5. Lower the mast to the desired height, ensuring that the safety pin engages into one of the positioning holes on the mast.
6. Hand-tighten the tension knob.

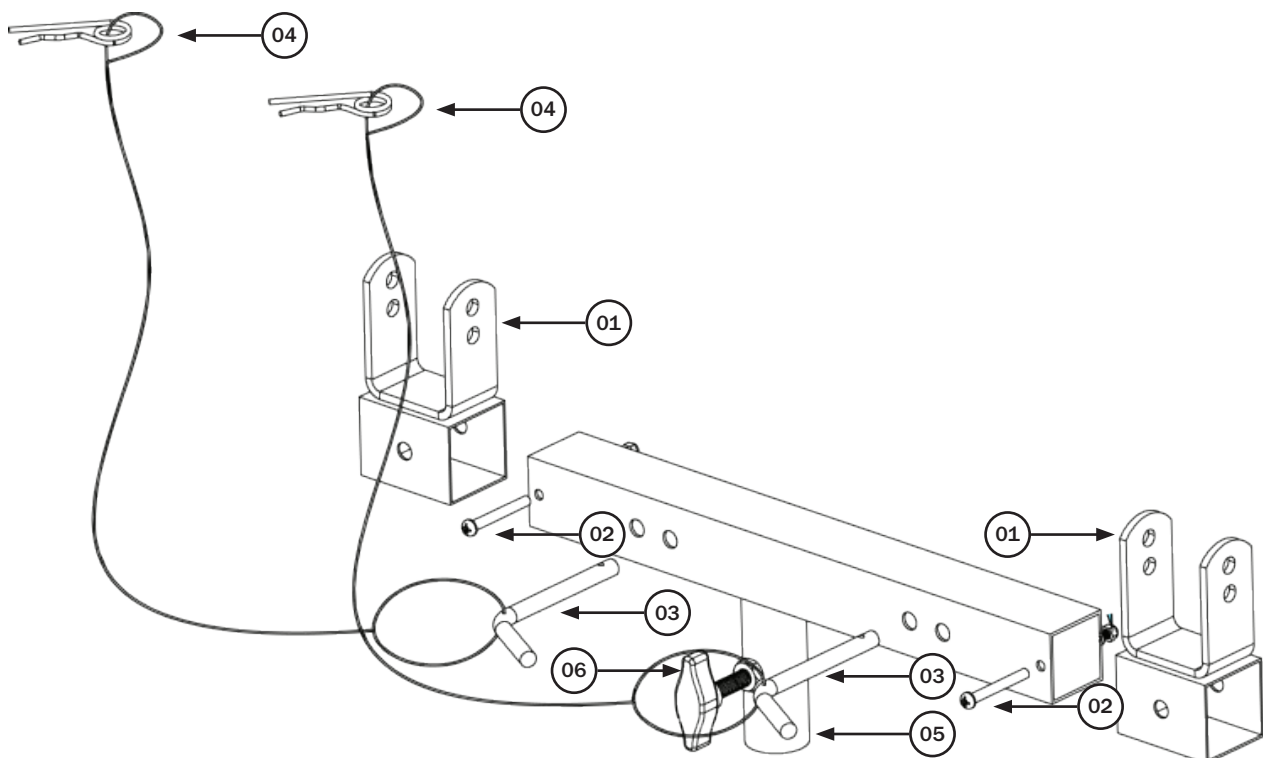


Do not go past the printed stopping point on the mast.
Do not use this winch stand in any way for which it was not intended.

Mounting the Truss Adaptor (Order code: STAN92 sold seperately)

The Truss Adaptor will arrive with the saddle brackets facing inwards. These must be reversed to use the adaptor correctly.

1. Remove the retaining screws from both sides of the truss adaptor.
2. Remove the saddle brackets and hardware.
3. Invert the saddle brackets and choose the mounting distance needed. Slide the safety pin through the hole and secure with R-clips.
4. Reinstall the retaining screws and hardware and tighten as necessary.



01 - Saddle brackets
02 - Retaining screws

03 - Safety pins
04 - R-clips

05 - 35mm mounting tube
06 - Tightening knob

To install onto the Winch Stand:

1. Lower the mounting tube onto the mast of the Winch Stand.
2. Hand-tighten the tension knob until snug, being careful not to damage the mast.

To install truss onto the Truss Adaptor:

1. Arrange the truss rungs into the saddle brackets.
2. Secure in place using the safety pins and R-clips.

Mounting a lighting bar:

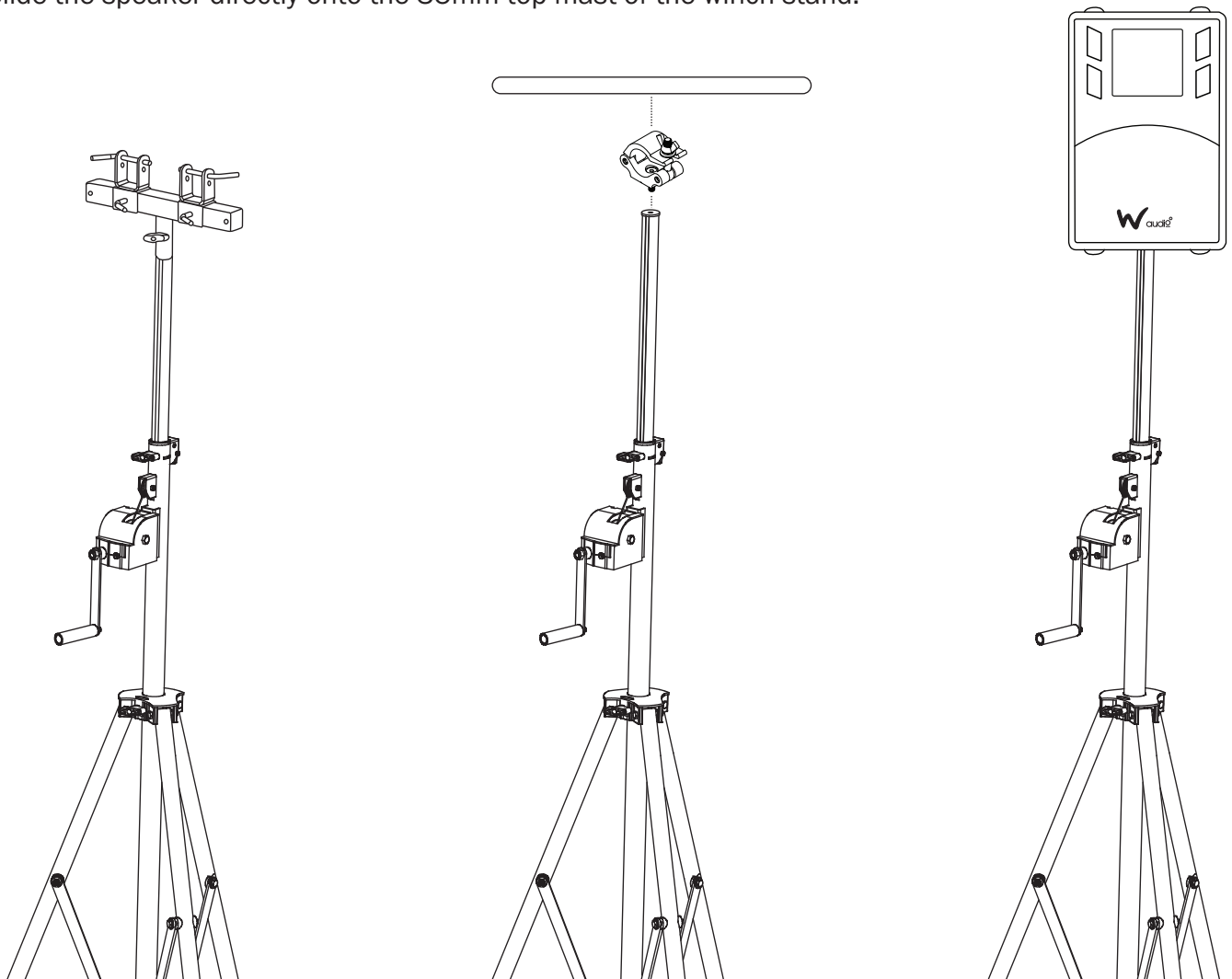
The M10 threaded top hole accepts a Global Truss Half Coupler (Order code: GL3007)

1. Screw the clamp into the M10 threaded mounting hole located on the top of the mast.
2. Install a suitable 48-51mm diameter tube (e.g. 1m F31PL) into the clamp and tighten.

Mounting a speaker:

A speaker can be mounted directly to the mast of the winch stand, without the need for an adaptor.

1. Slide the speaker directly onto the 35mm top mast of the winch stand.



Note: You will need two winch stands to lift truss pieces safely.
This stand is designed to accommodate 220/290mm box or triangle truss.

EQUINOX